

## Specifications:

<b>Installation:</b>	Above-counter or wall-mount
<b>Exterior Dimensions:</b>	26 1/4" w x 19" d x 6" h
<b>Material:</b>	Porcelain
<b>Weight:</b>	32 lbs
<b>Overflow:</b>	Yes
<b>Finishes:</b>	001 - White
<b>Faucet Holes:</b>	01 - one centered hole 02 - two hole - center and right, 4" spread 03 - three hole, 8" spread
<b>Cut-out Size:</b>	12" x 8" (template available upon request)
<b>Faucet Hole Size:</b>	Ø 1 3/8"
<b>Drain Hole Size:</b>	Ø 1 3/4"



## Features:

- Porcelain sink with an overflow
- Unglazed back
- Glazed bottom
- Wall-mounting bolts are included
- It must be installed against a wall on the back

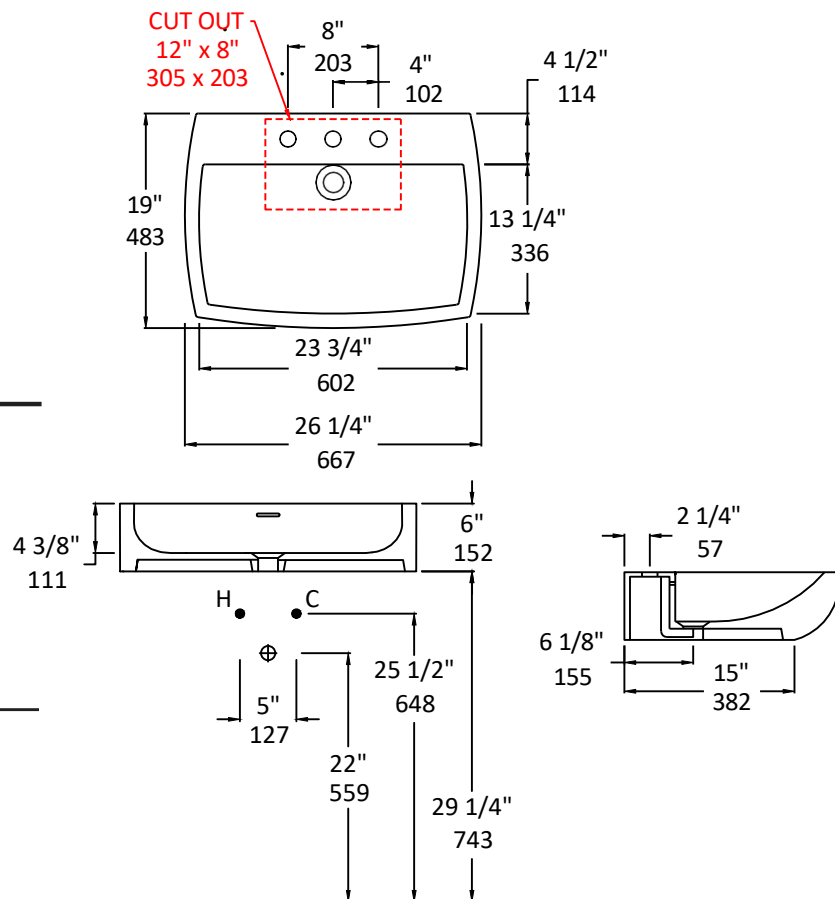
## Codes + Standards:

- Meets and exceeds applicable national codes and standards

**ADA** compliant when installed to specific requirements of this regulation

## Recommended Items:

- Drain with overflow
  - 7100-17



LACAVA reserves the right to revise any dimension or information on this sheet without notice. Dimensions are nominal and may vary within an industry accepted tolerance of 1/4". Drawings provided herein are meant to give the user an idea of the product and are not made to scale.

Revised: 12/9/25