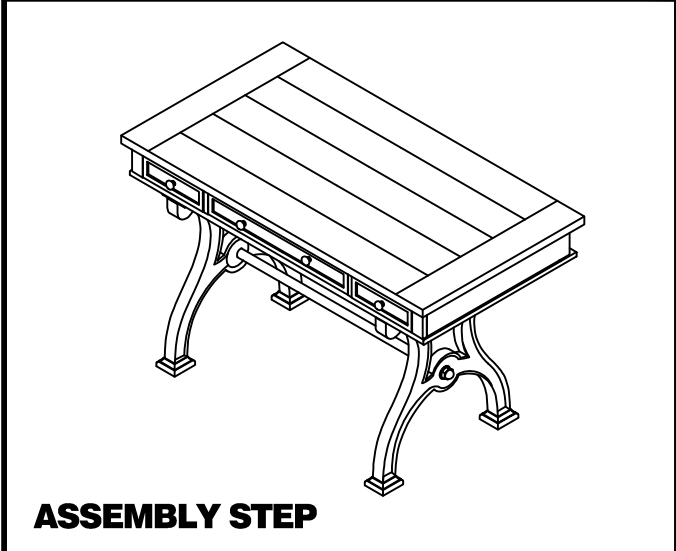


ASSEMBLY INSTRUCTION

DESCRIPTION Writing Desk

Thank you for purchasing this quality product. Be sure to check all packing material carefully for small parts which may have some loose inside the carton during shipment. Identify and count all parts and compare with the parts list below:



ASSEMBLY STEP

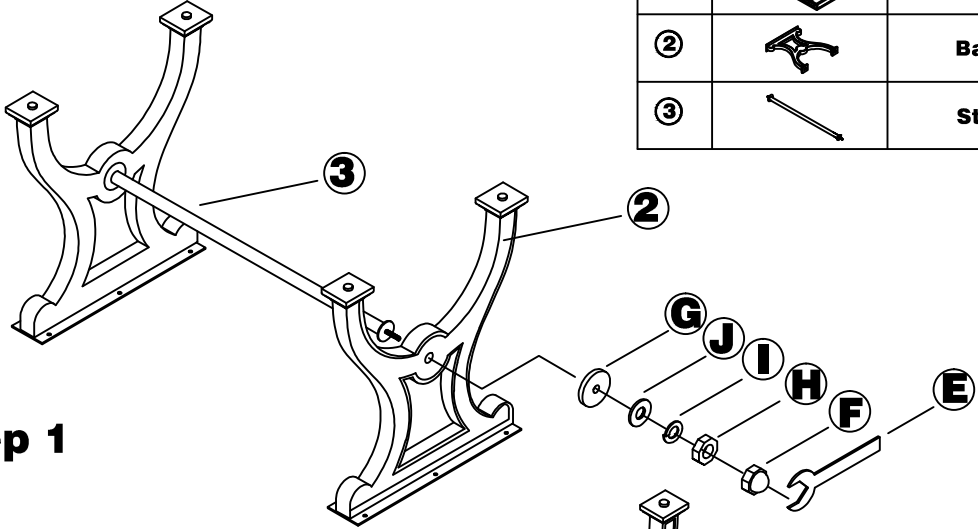
HARDWARE LIST

NO.	SKETCH	HARDWARE	QTY
A		Bolt 5/16" x 3/4"	12 pcs
B		Spring Washer 5/16"	12 pcs
C		Flat Washer 5/16"	12 pcs
D		Allen Key 5mm	1 pc
E		Wrench	1 pc
F		Round Cap	2 pcs
G		Round Plate	2 pcs
H		Nut	2 pcs
I		Spring Washer 1/2"	2 pcs
J		Flat Washer 1/2"	2 pcs

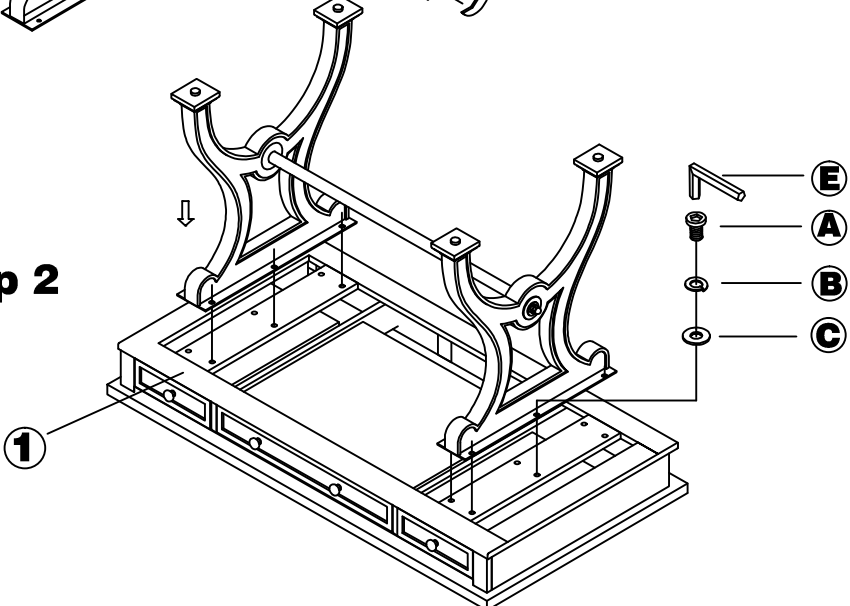
PARTS LIST (IF NEEDED)

NO.	SKETCH	PART	QTY
①		Top	1 pc
②		Base	2 pcs
③		Stretcher	1 pc

Step 1



Step 2



NOTE: DO NOT TIGHTEN ALL THE BOLTS UNTIL THEY ARE INSTALLED IN CORRESPONDING HOLES!