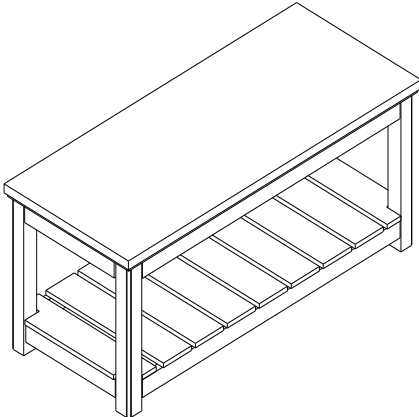


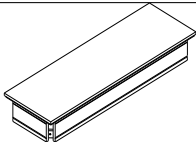

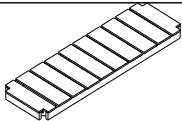
Bench





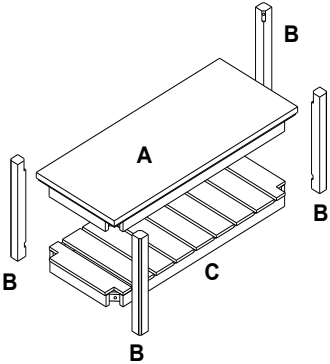
Thank you for purchasing the Bench . We have found it helpful to have a second person present during the assembly process.

Bench Assembly Instructions

Parts

NO.	DRAWING	DESCRIPTION	QTY.
A		TOP	1
B		POST	4
C		BOTTOM	1

NO.	DRAWING	DESCRIPTION	QTY.
D		M6*45MM BOLT	8
E		WRENCH	1



Step 1

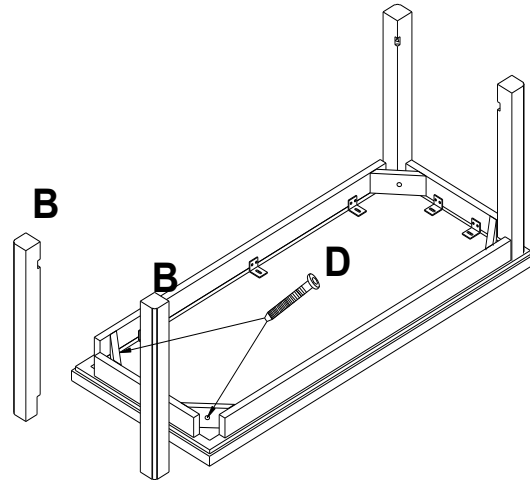
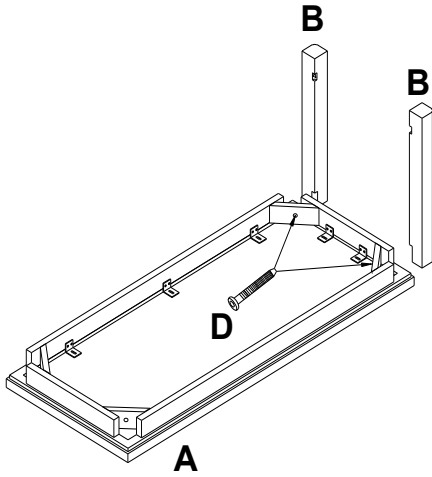
Read through these instructions thoroughly before beginning assembly. We have found this to be of great value when assembling this product.

Step 2

Remove all parts and hardware from packing material. Wooden pieces should be placed on a non abrasive surface to prevent damage to the finish.

Step 3

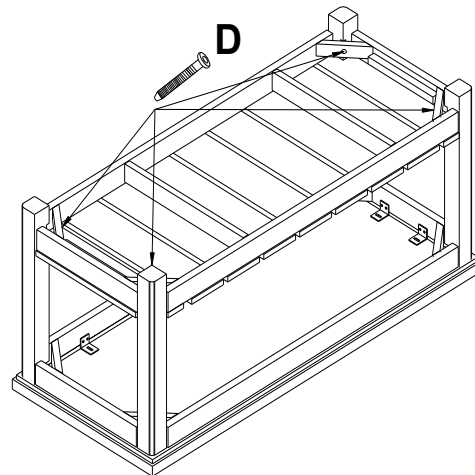
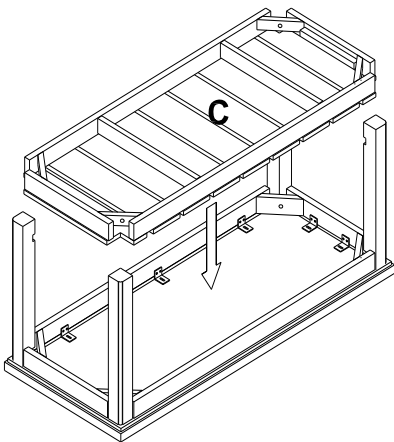
Lay Top (A) upside down on a non abrasive surface. Attach 4 Posts (B) using 4-45MM Hex Bolts (D). **NOTE: Do not tighten firmly at this time.**



Step 4

Position Bottom (C) between 4 post. Attach Bottom (C) using 4-45MM Hex Bolts (D).

Note: TIGHTEN ALL BOLTS AT THIS TIME!



CARE

Clean with a non abrasive cloth using a mild soap. Make sure to wipe dry.
