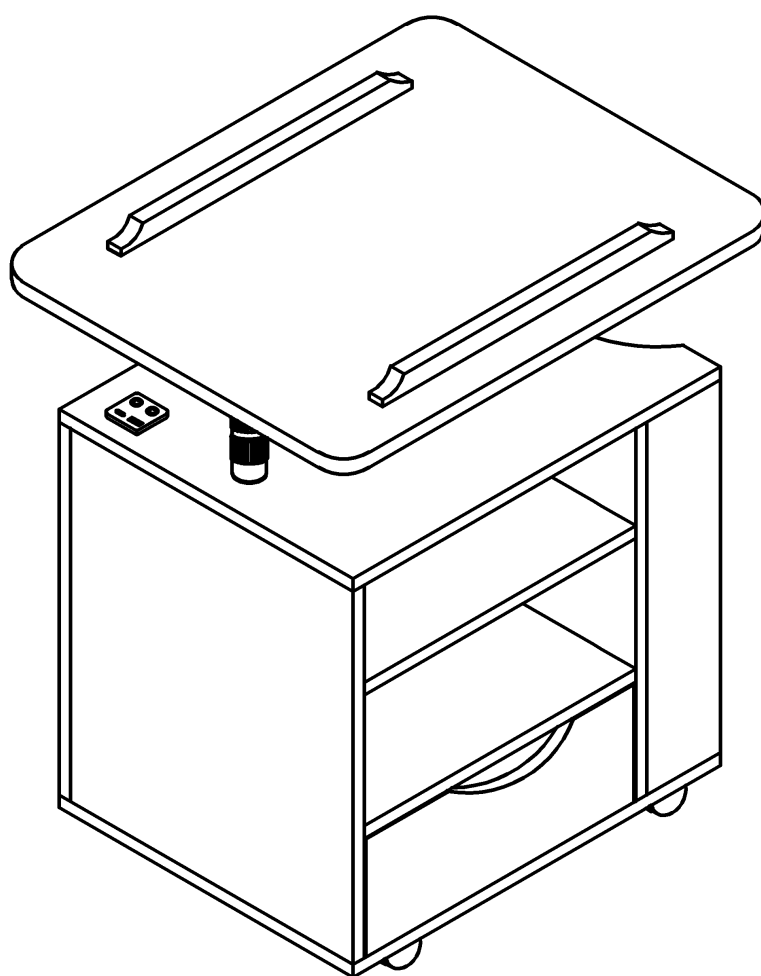
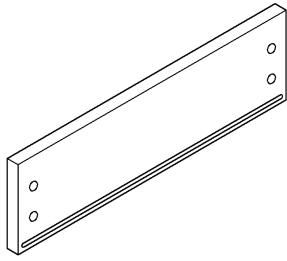
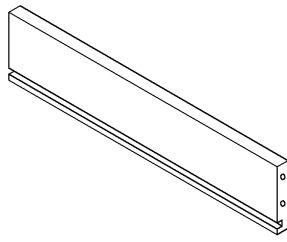


# Product Installation Instructions

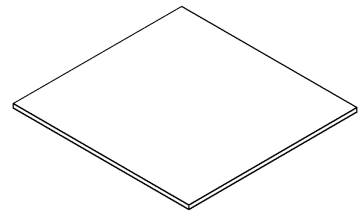




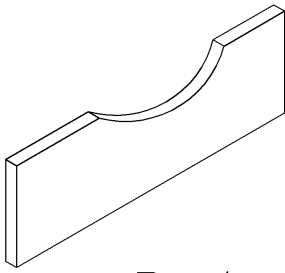
Ax1



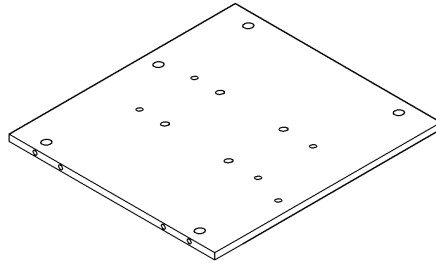
Bx2



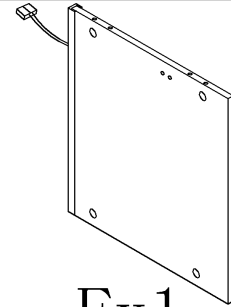
Cx1



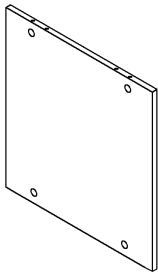
Dx1



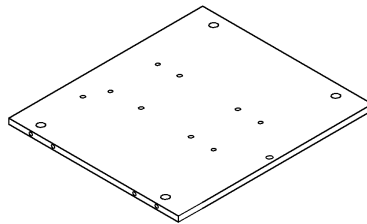
Ex1



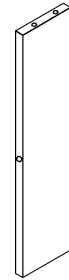
Fx1



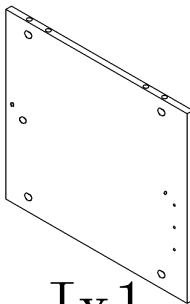
Gx1



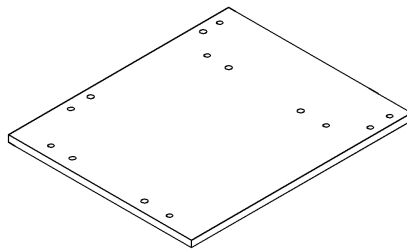
Hx1



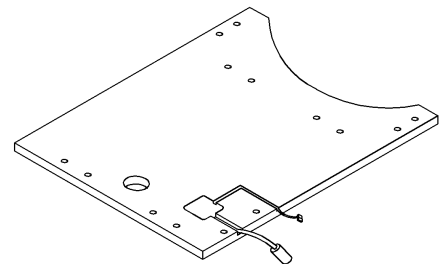
Ix1



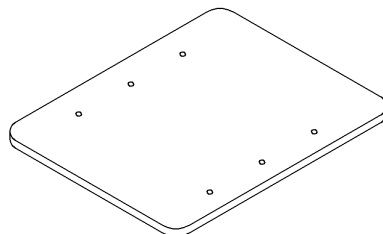
Jx1



Kx1

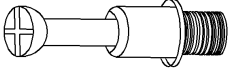

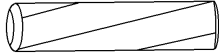
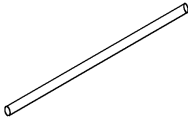
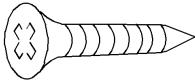
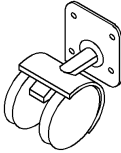
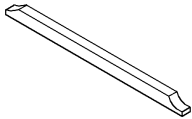
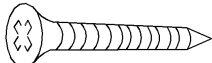
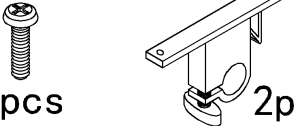

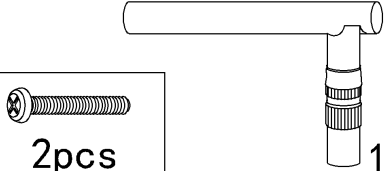
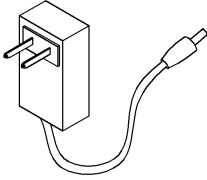
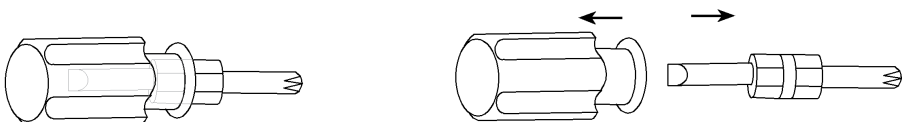


Lx1

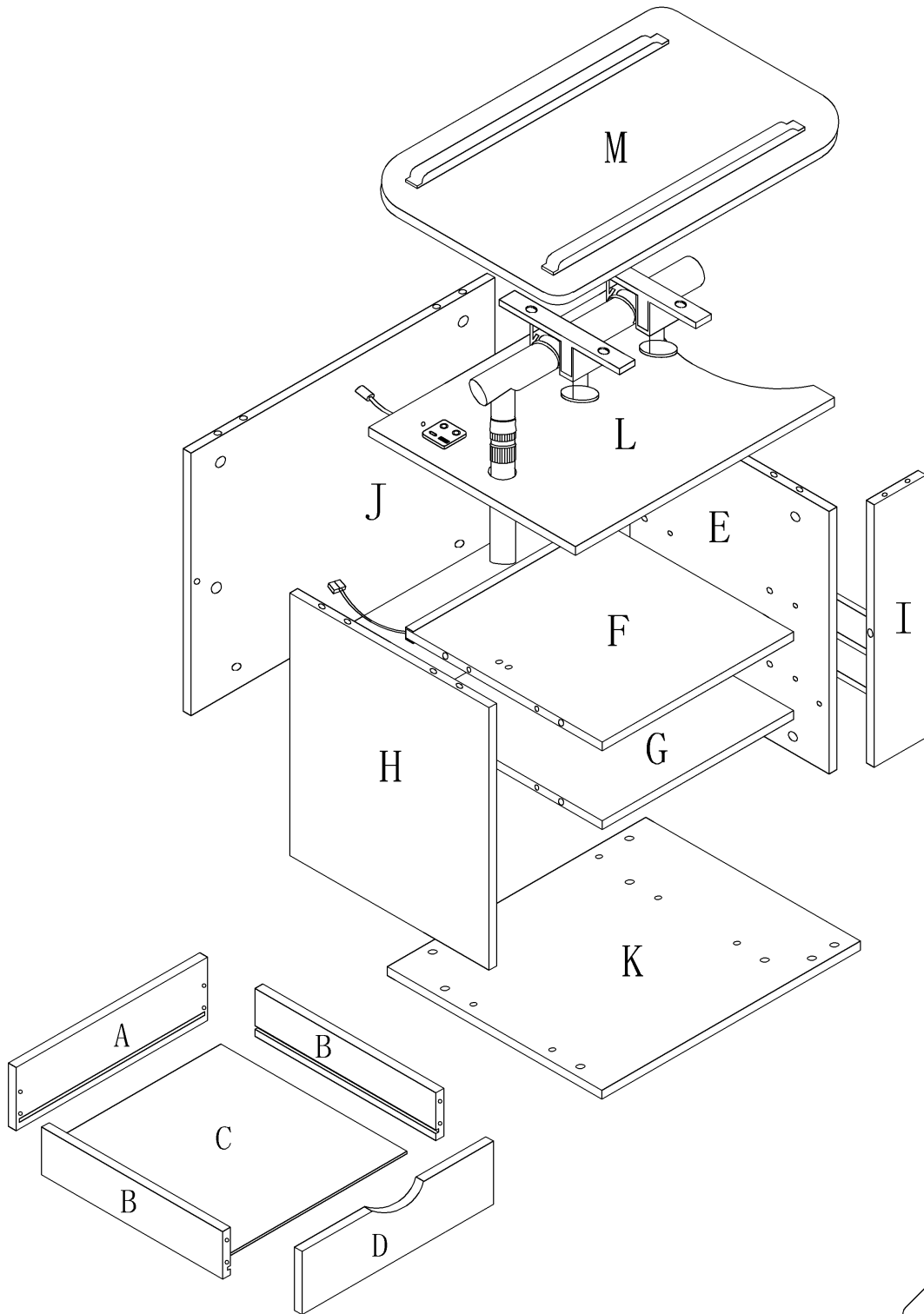


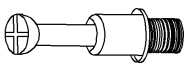

Mx1

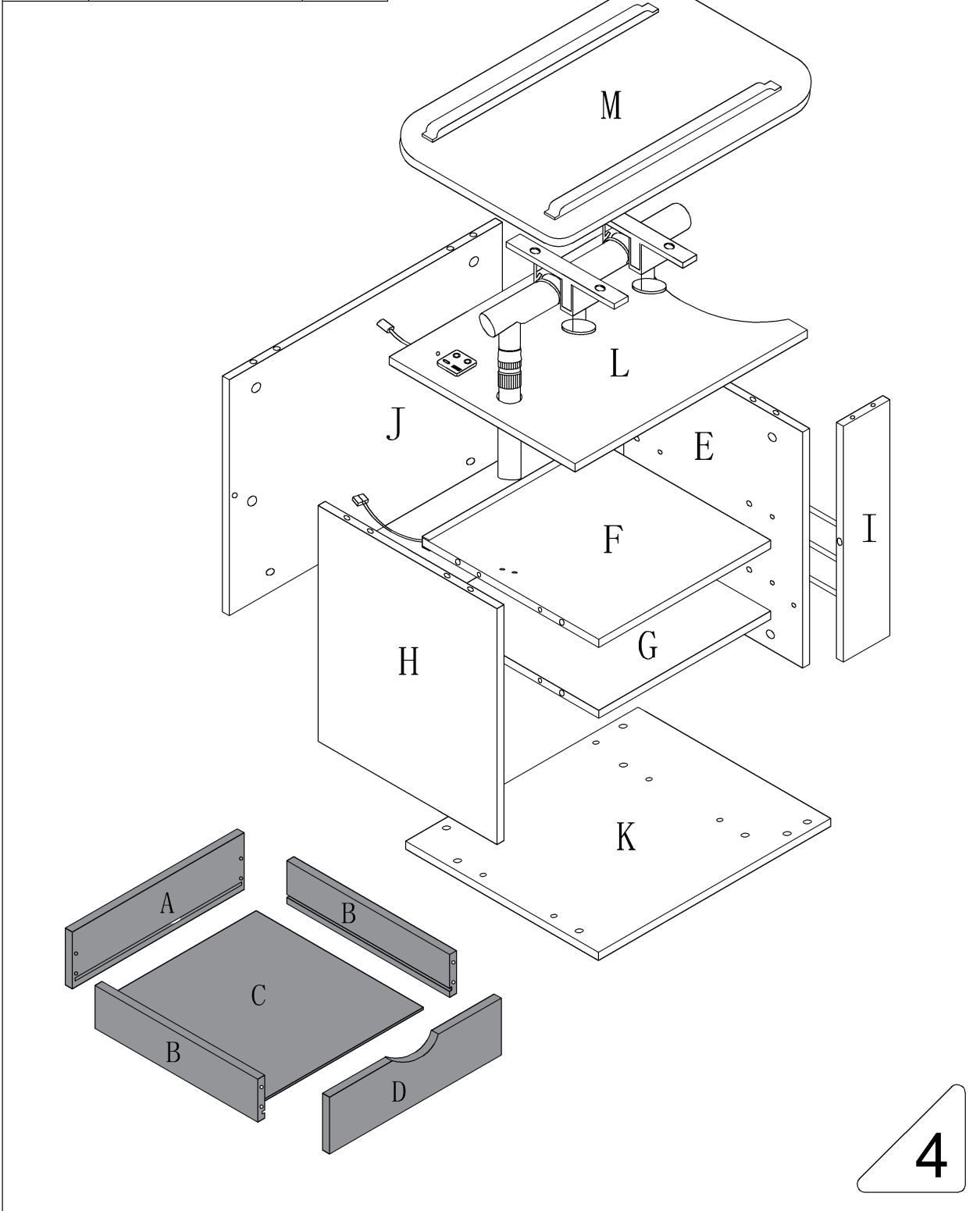


1		39pcs	2		39pcs
Two in one screw(6x28mm)			Two in one nut(10x12mm)		
3		22pcs	4		3pcs
Wood chipping(6x30mm)			Stainless steel bar		
5		18pcs	6		4pcs
screw(3.5x12mm)			Universal wheel		
7		2pcs	8		6pcs
Stop strip			screw(3x25mm)		
9	 4pcs      2pcs		10		2pcs
Retaining clip & screw(6x16mm)			Screw tip		
11	 2pcs      1pcs				
Bracket & screw(6x30mm)			AC/DC Adapter (12V=2.0A)		
 1pcs      Double-head screwdriver, use as required					

# Product structure decomposition

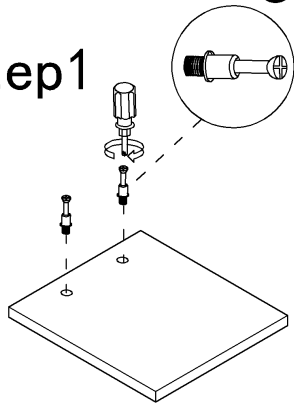


1		8pcs
2		8pcs

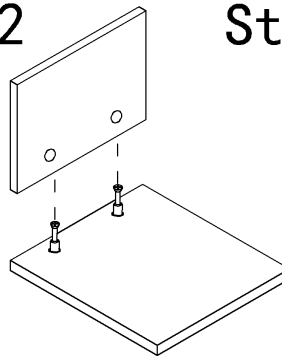


## Use parts ① and ②

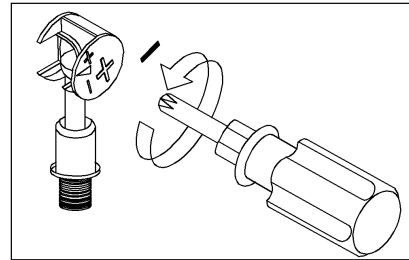
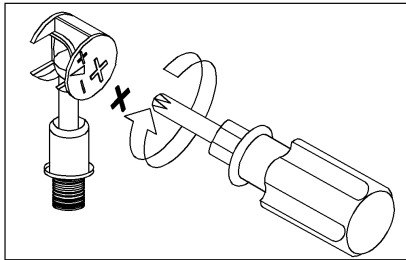
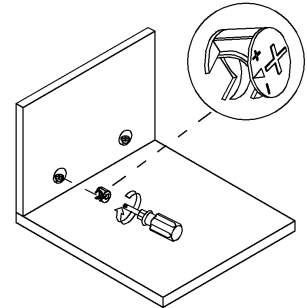
Step1



Step2



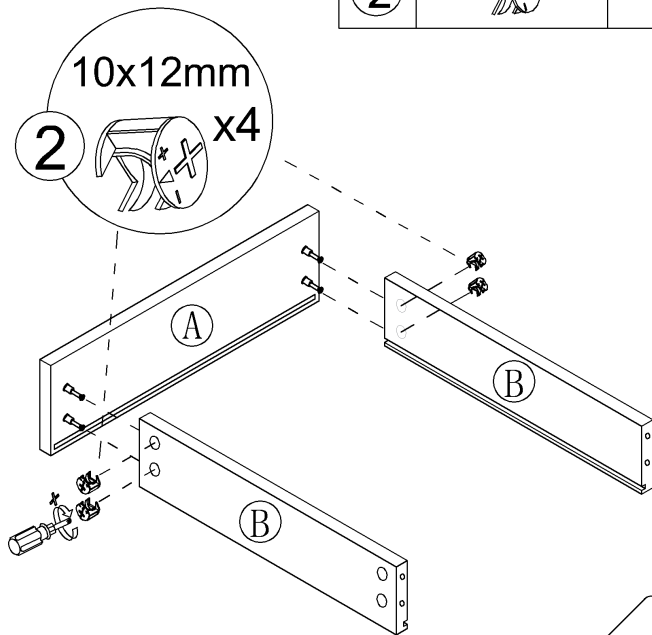
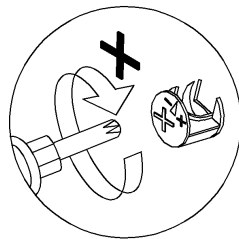
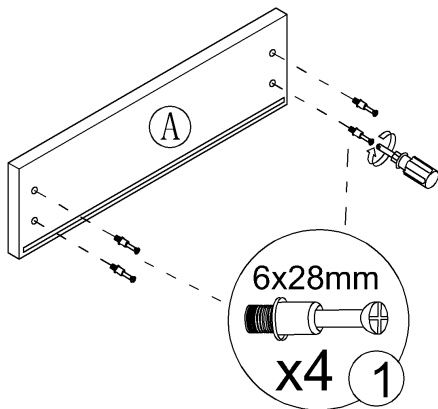
Step3



Use a screwdriver to lock in the direction of the "+" sign

Disassemble along the direction of "-" sign

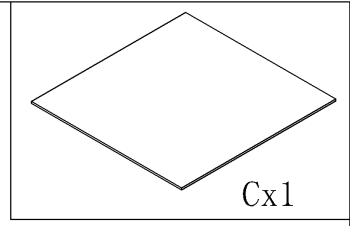
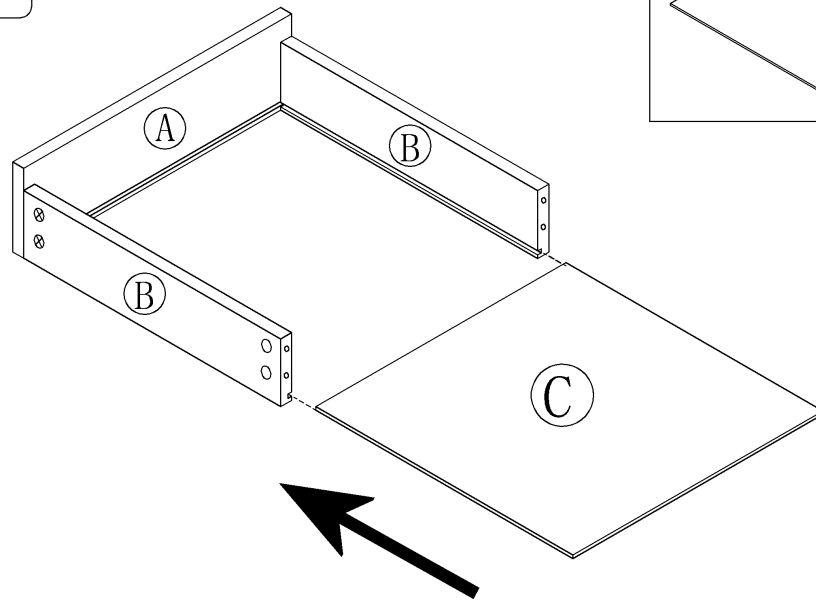
Step 1



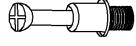

①		4pcs
②		4pcs

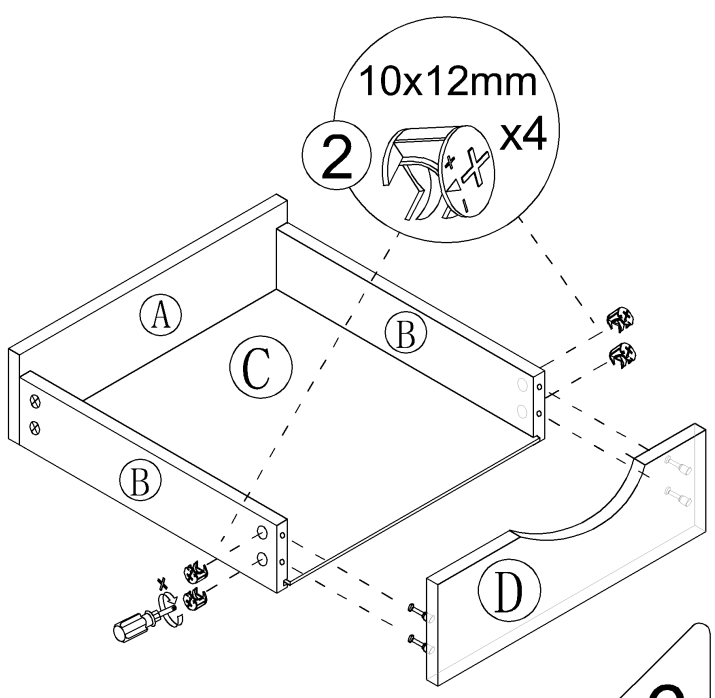
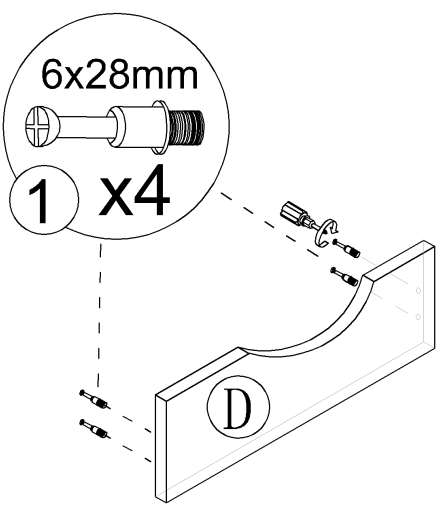
5

### Step 2

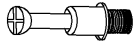



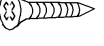


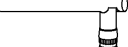


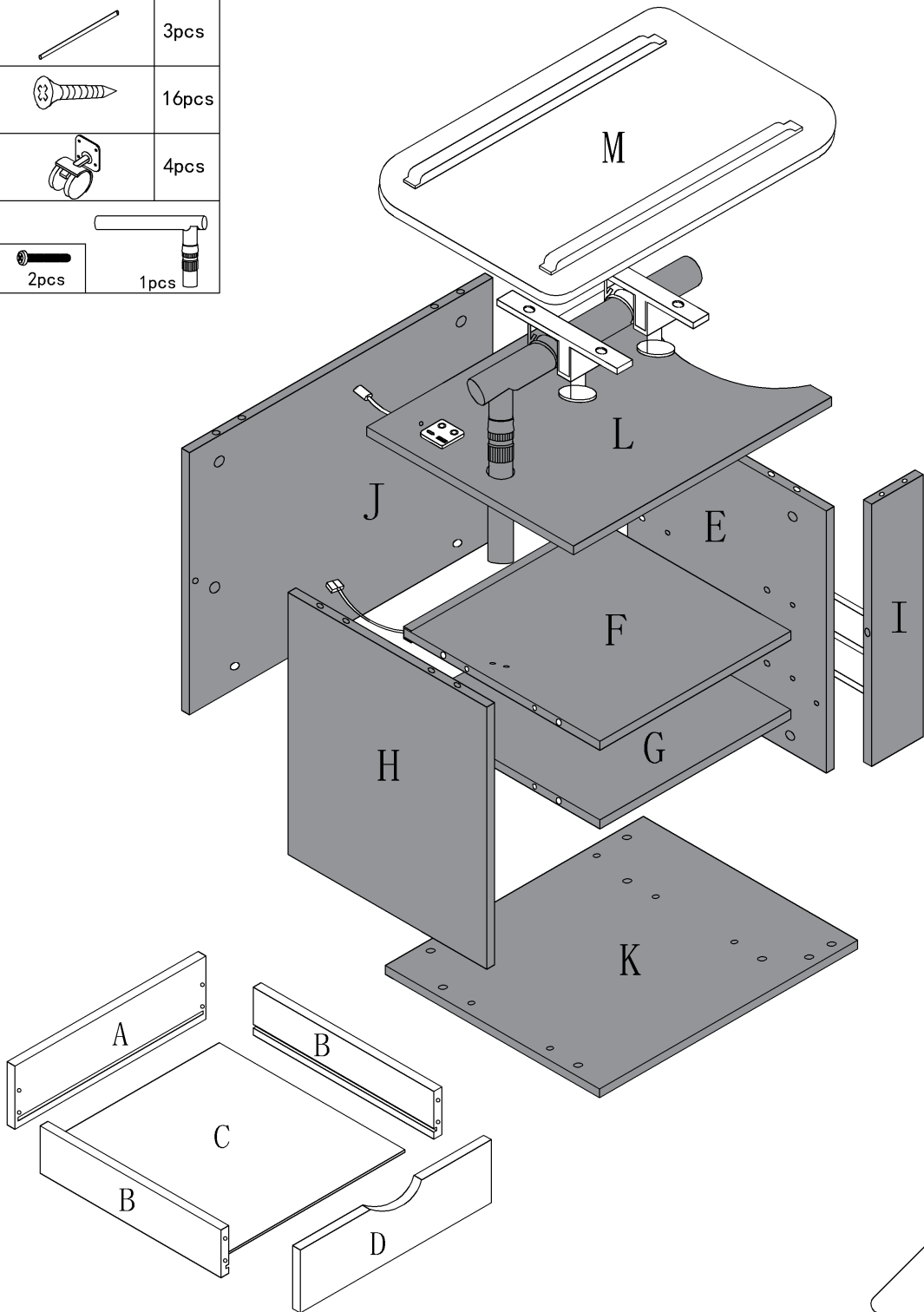
### Step 3

1		4pcs
2		4pcs

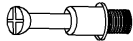
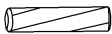


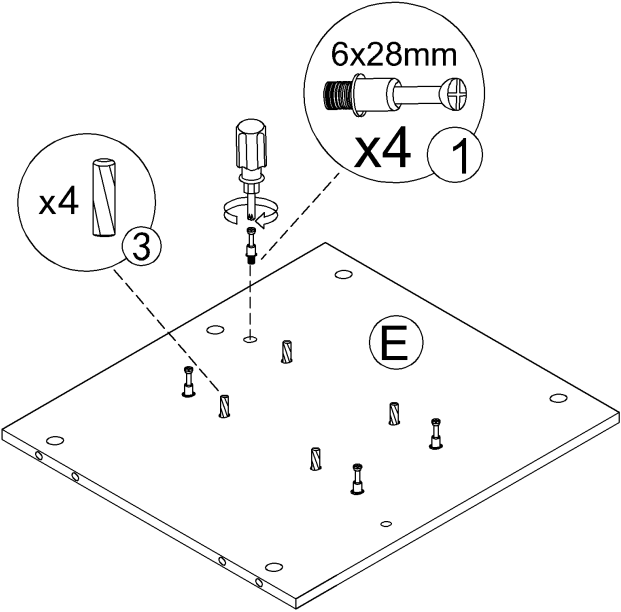
6

①		27pcs
②		27pcs
③		20pcs
④		3pcs
⑤		16pcs
⑥		4pcs
⑪	 2pcs  1pcs	



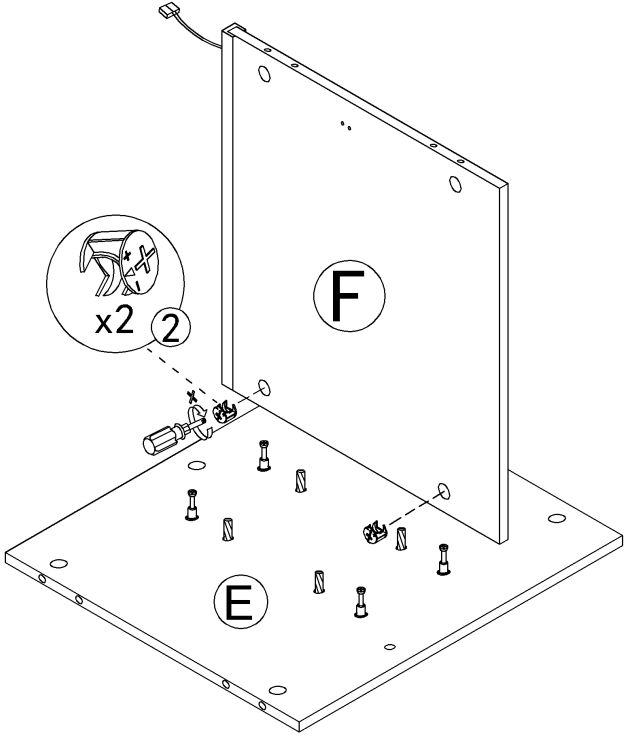
Step 4

1		4pcs
3		4pcs



Step 5

2		2pcs
---	---	------

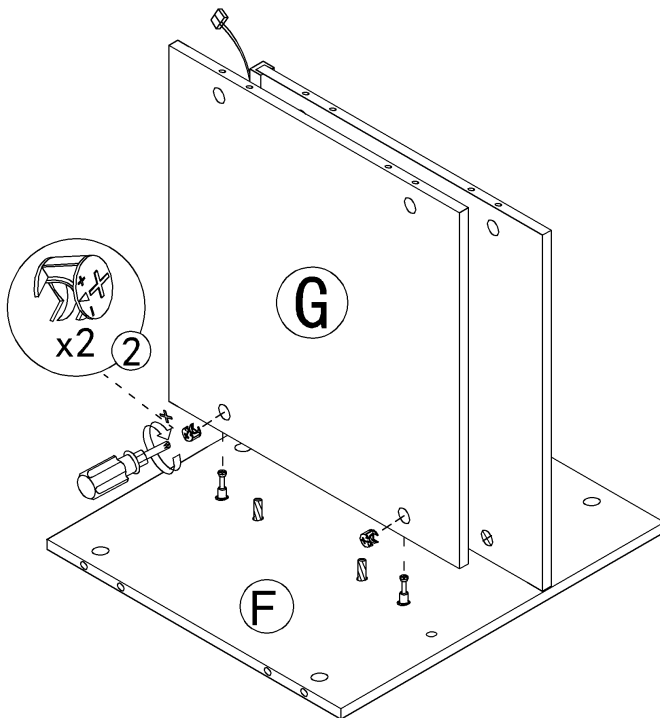


Step 6

2

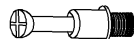


2pcs



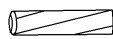
Step 7

1

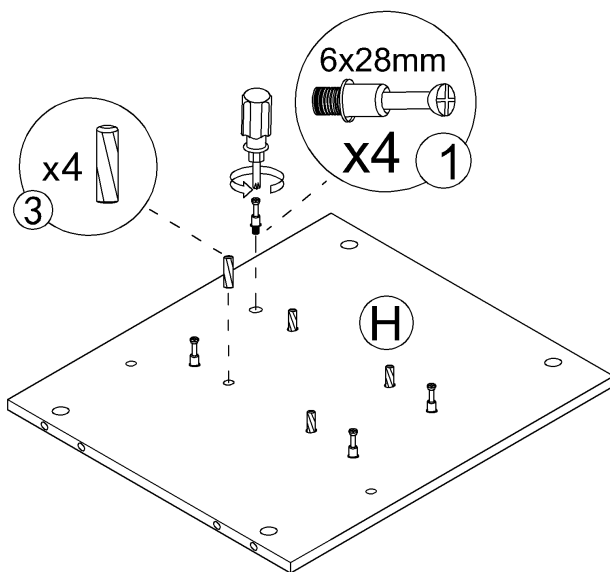


4pcs

3



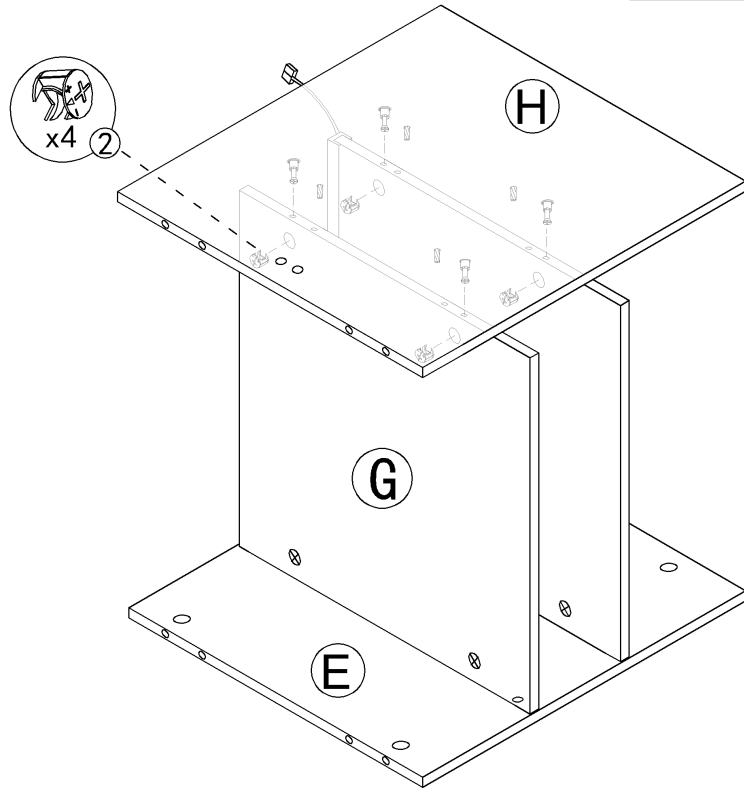
4pcs



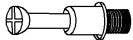

9

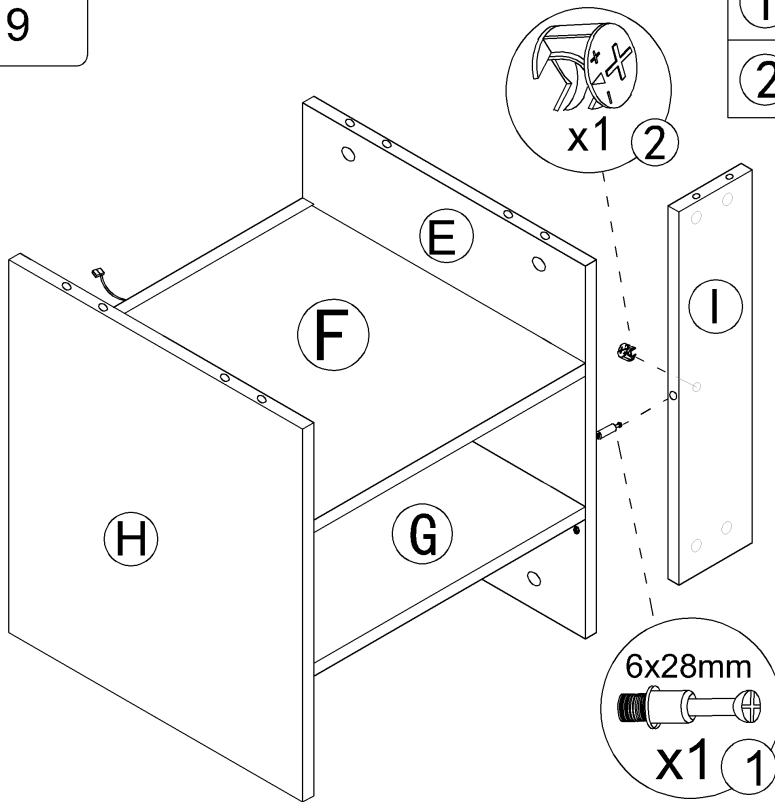
# Step 8

2		4pcs
---	---	------

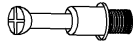


# Step 9

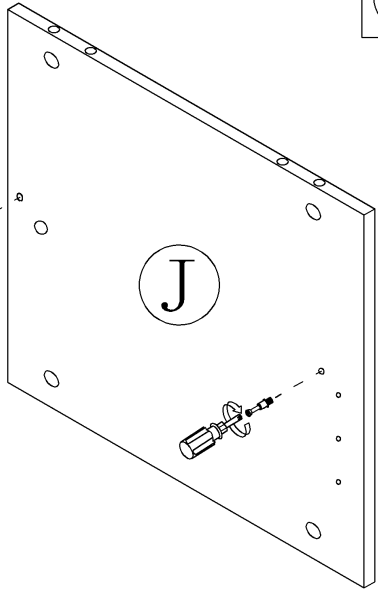
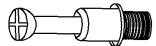
1		1pcs
2		1pcs





Step 10

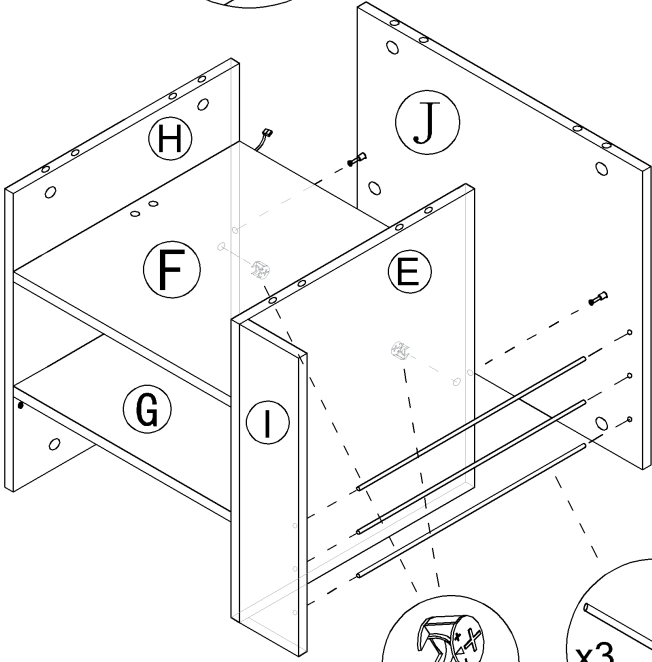
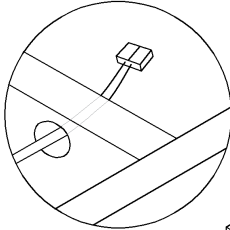
1		2pcs
---	---	------

6x28mm  
x2 1




Step 11

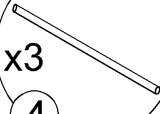
2		2pcs
4		3pcs



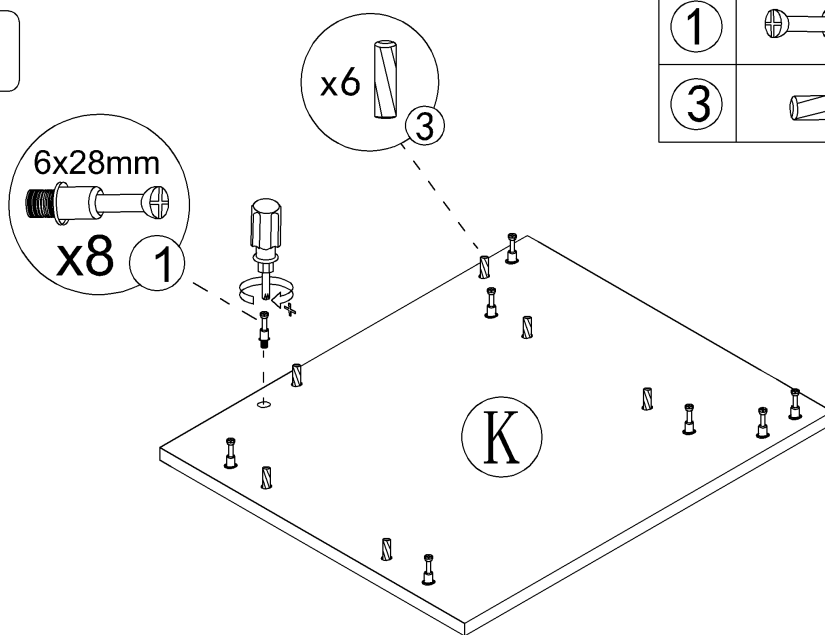
x2 2

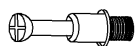



x3 4

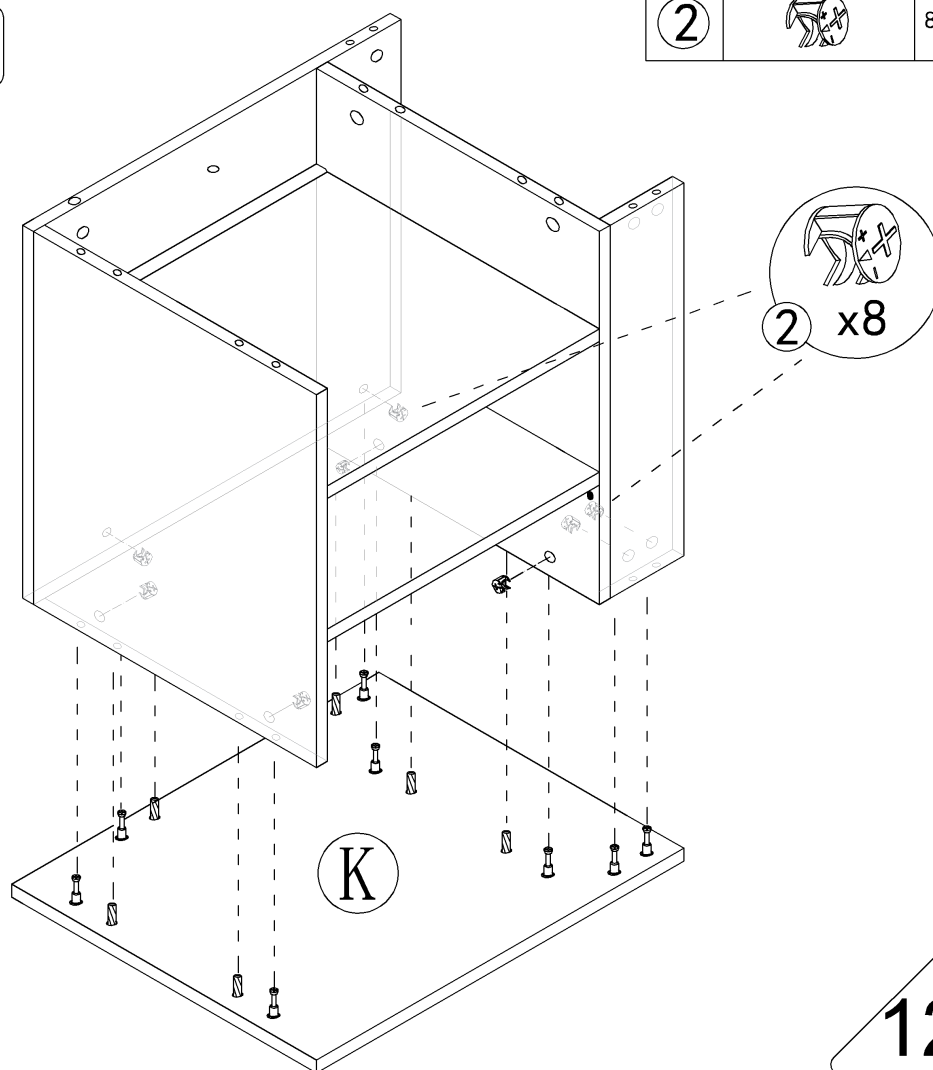


### Step 12



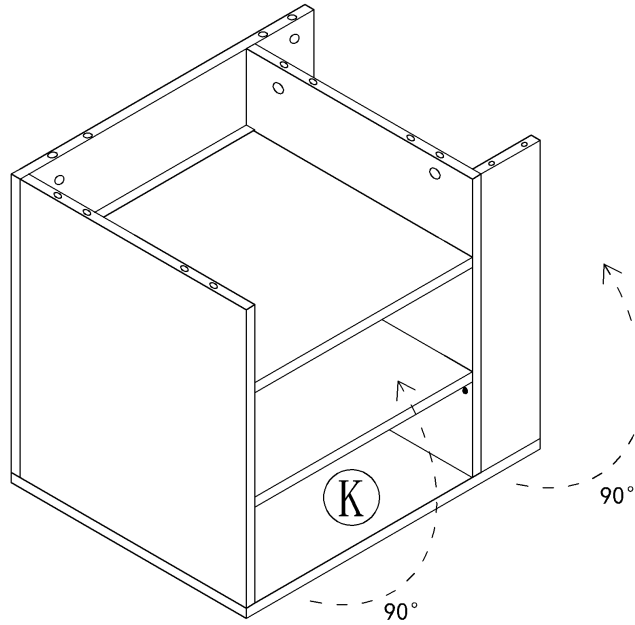
1		8pcs
3		6pcs

### Step 13

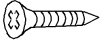



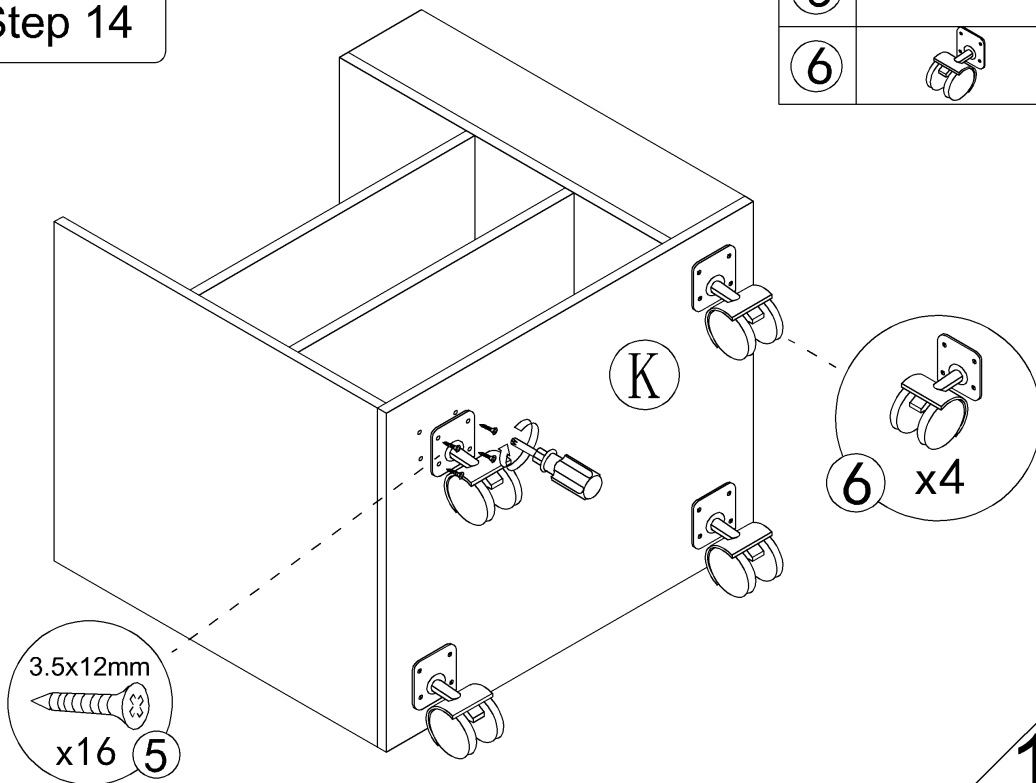
2		8pcs
---	---	------

The cabinet turns back 90 degrees



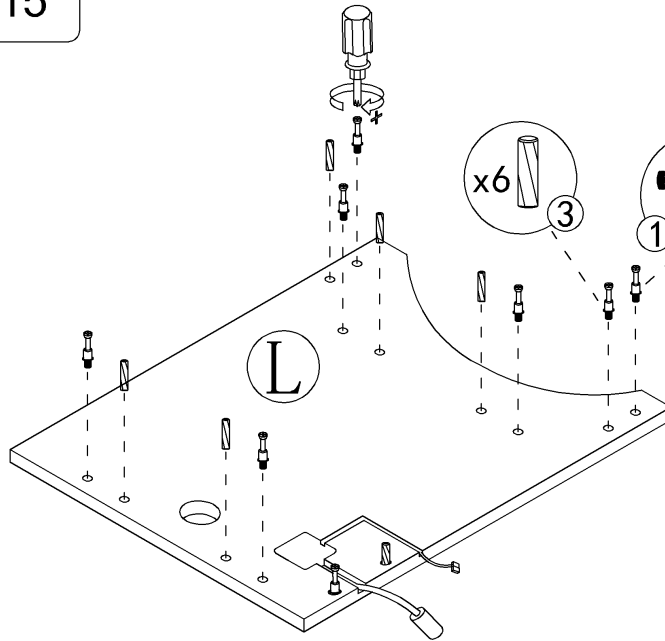
Step 14

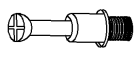
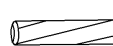
5		16pcs
6		4pcs



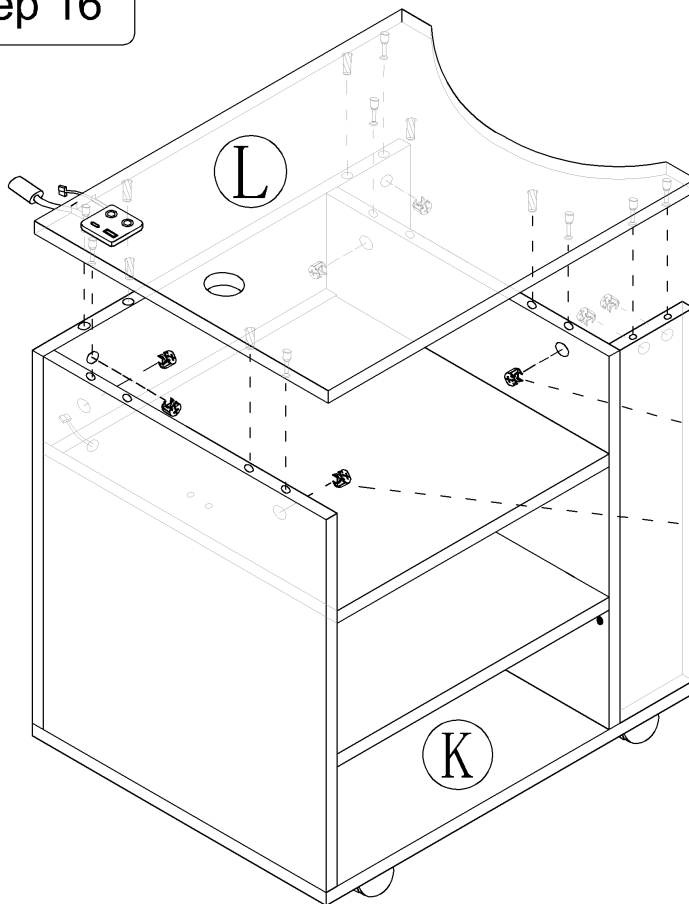
13

### Step 15



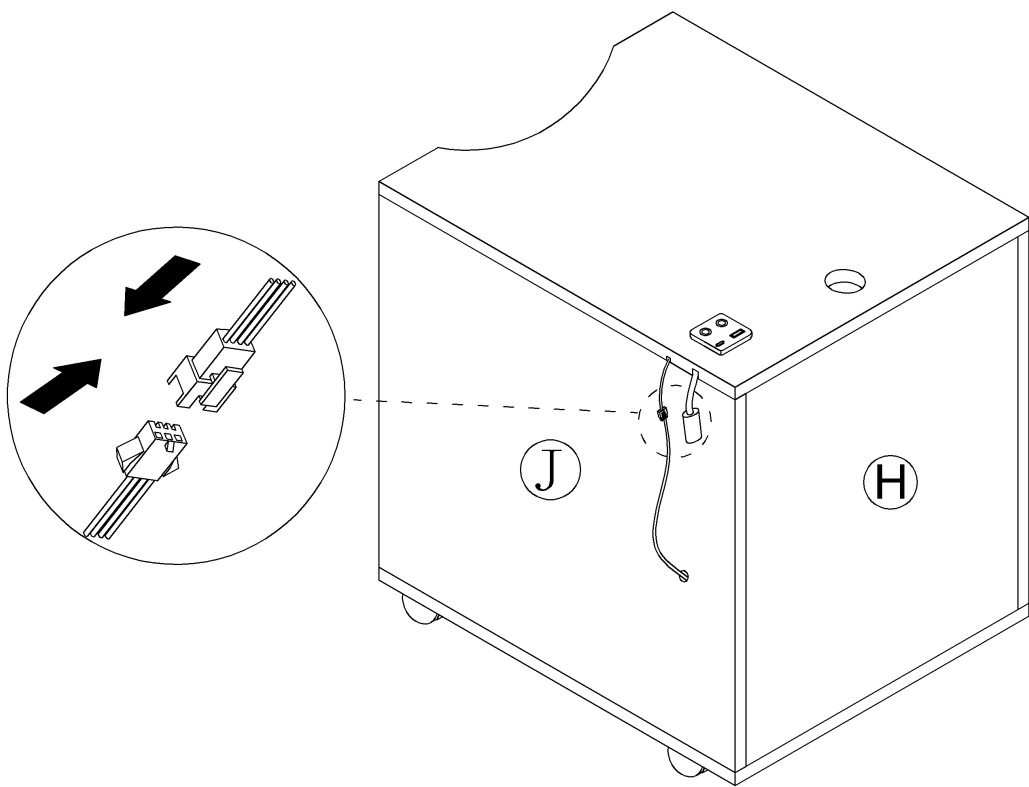
1		8pcs
3		6pcs

### Step 16



2		8pcs
---	--	------

Step 17

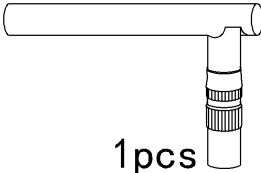


Step 18

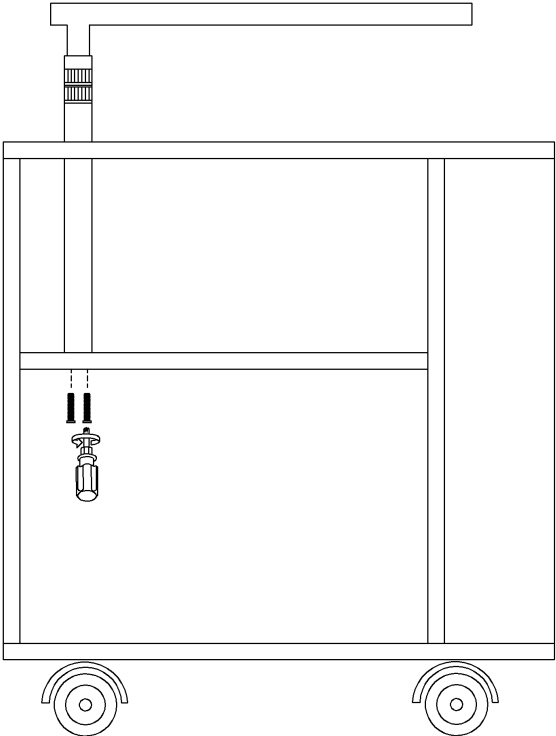
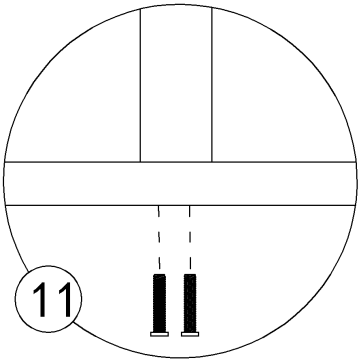
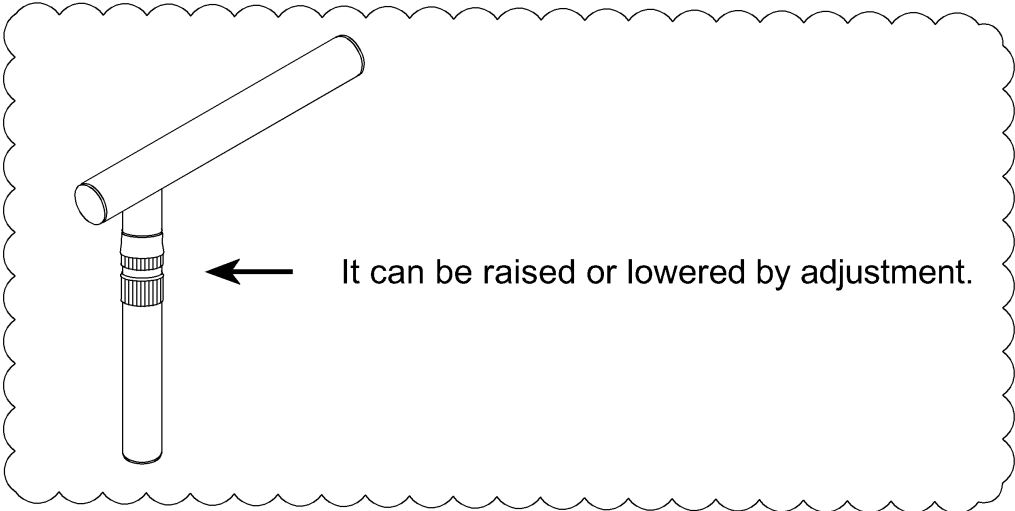
11


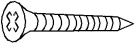


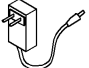


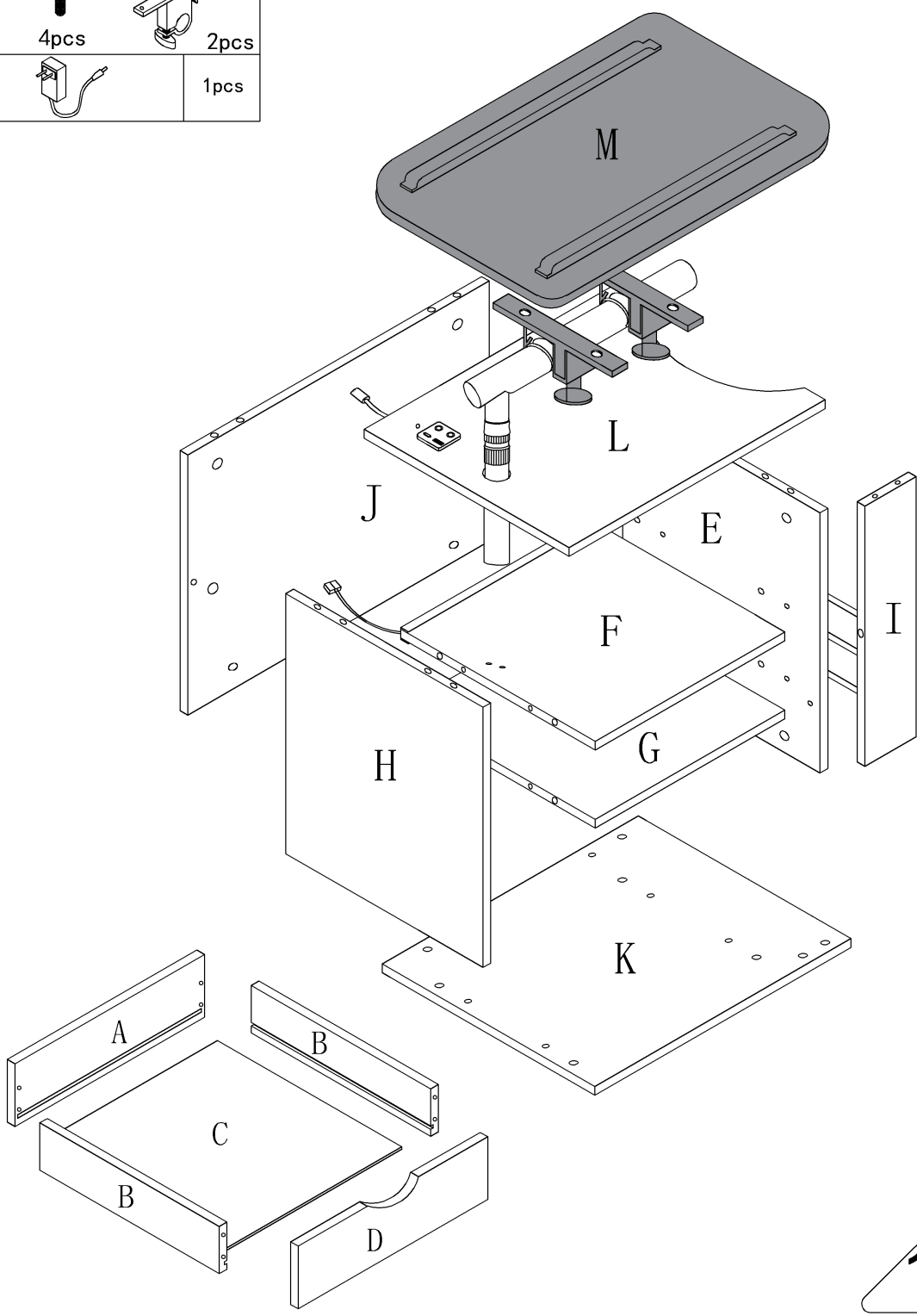
2pcs





1pcs

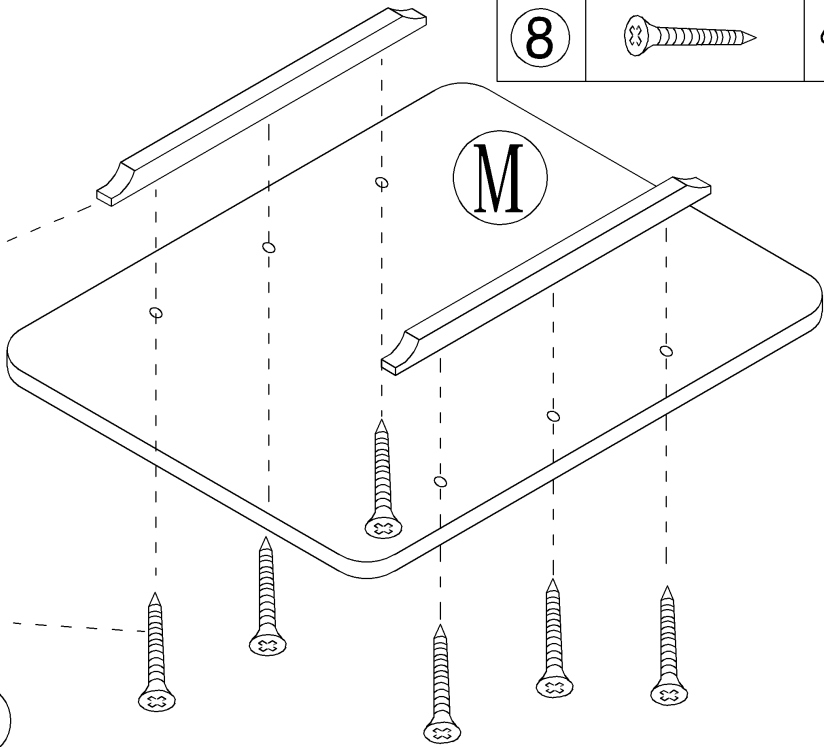
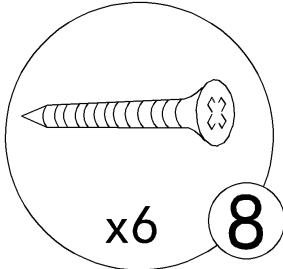
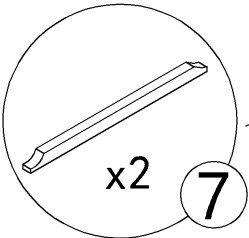


7		2pcs
8		6pcs
9	 	4pcs 2pcs
		1pcs


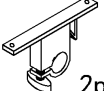


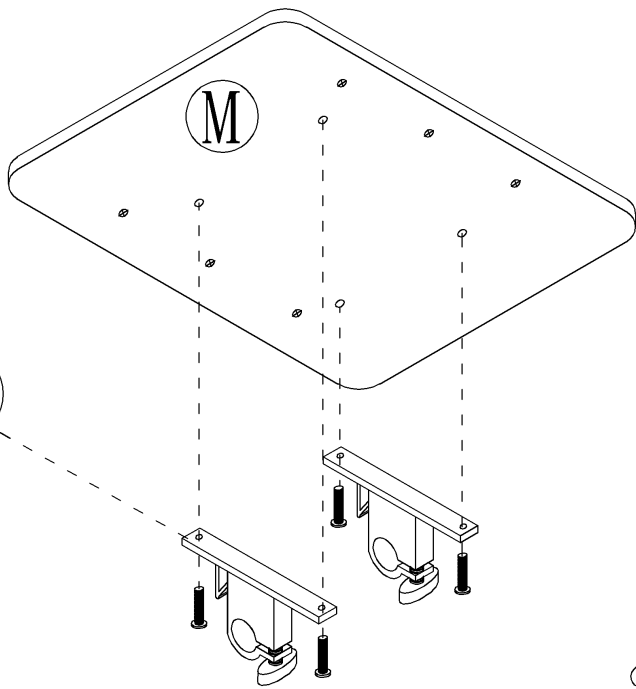
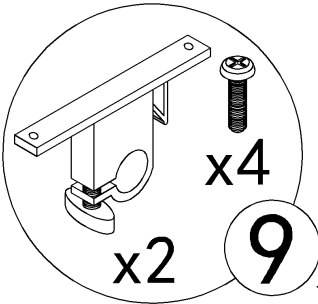
Step 19

7		2pcs
8		6pcs



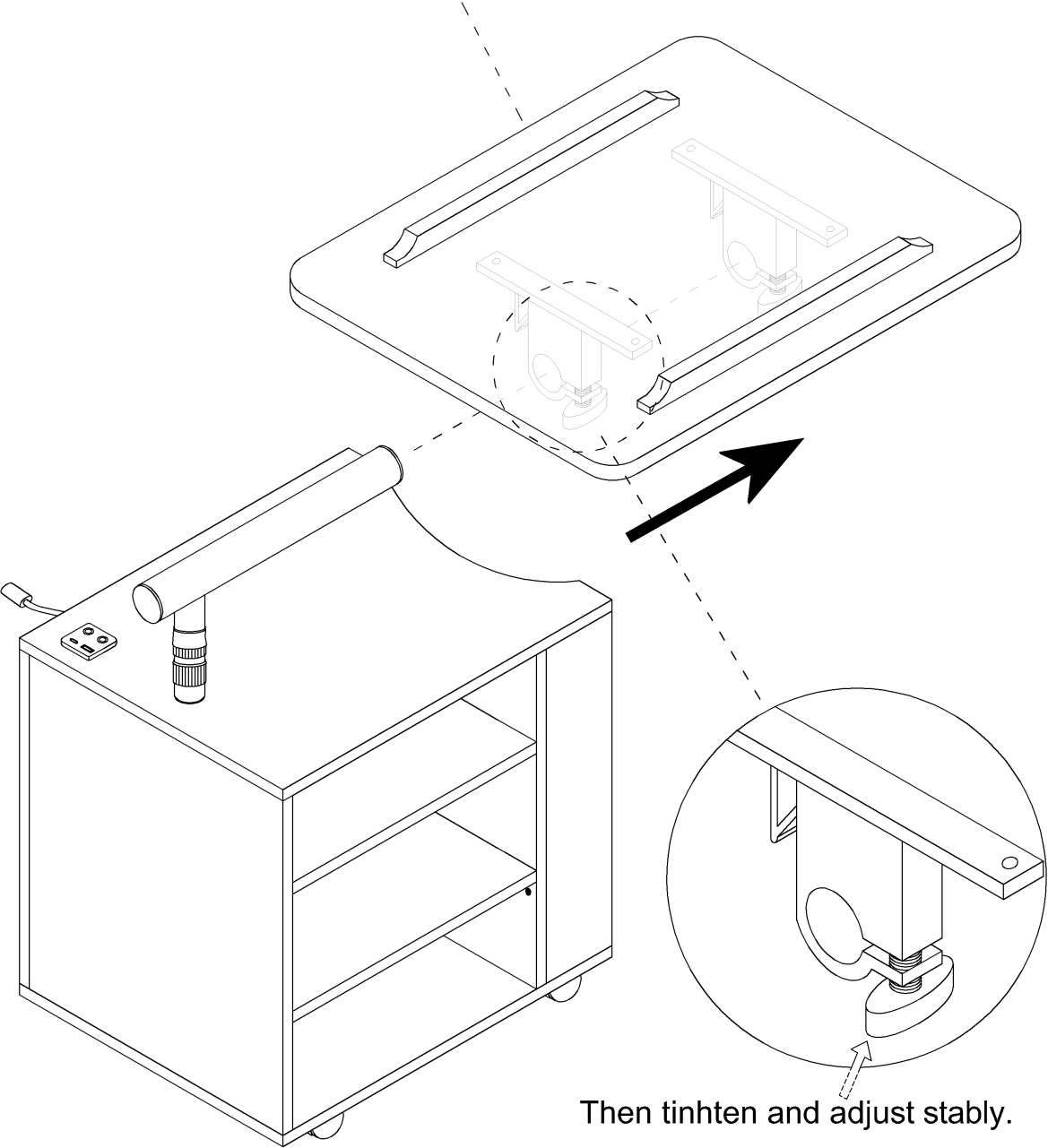
Step 20

9		4pcs		2pcs
---	---	------	---	------



Step 21

Install the laptop tray to the iron pipe.



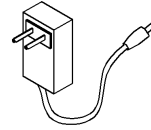
Then tighten and adjust stably.

Step 22

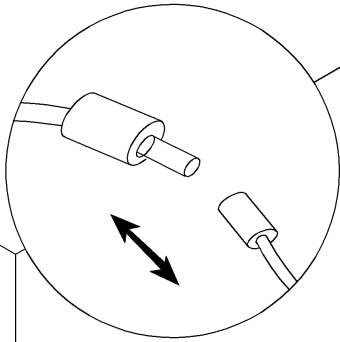
10



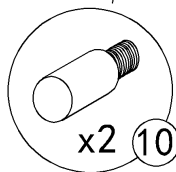
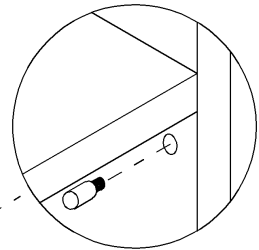
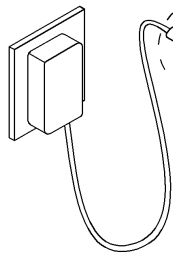
2pcs



1pcs



wall



x2 10

20

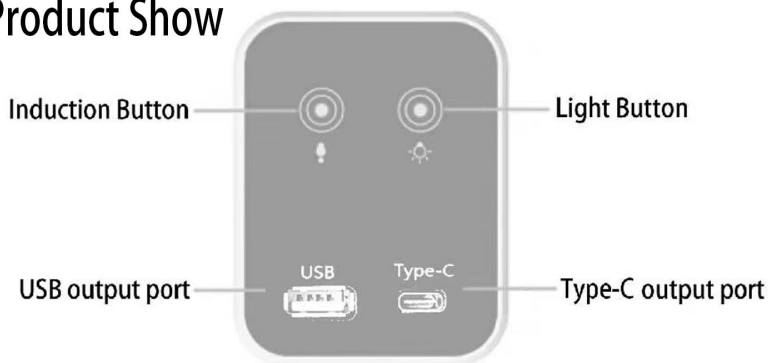
## User's Guide

Thank you for purchasing this product. To use this product, please plug it into a 12VDC power supply. Please use if the product works normally after connecting to power.

## Introduction

The box is an intelligent controller. It has 2 USB output ports and can distribute the current output up to 5VDC-2A. With 2 touch buttons, it can turn ON/OFF the light, change light colors, and adjust the light luminance.

## Product Show



### ATTENTION PLEASE

1. If there is no touch response suddenly, Re-plug the power to reset the touch static electricity.
2. If bubbles appear on the panel, remove the protective film.

## Operation



This touch button is used to turn on/off, change colors, and adjust brightness.

A. Short touch -> lighting on -> short touch -> change light color -> short touch -> change light color -> short touch -> lighting off. B. Long touch -> adjust the luminance



This touch button is used to turn on/off the induction function.

A. Short touch to turn on the induction function. It can auto-turn on the light when people are close to the controller in 1 meters. It can auto power off the light when the body is far away from the controller after 30 seconds.

B. Long touch to turn off the induction function.

C. Note: When you touch the light button to change the light modes, the induction function will automatically turn off. It is best to turn on this function after selecting the light color and adjusting the brightness you want.