

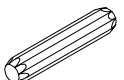

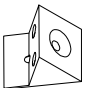
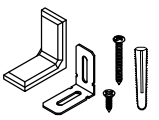
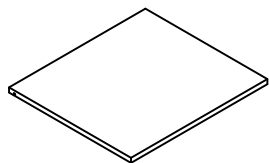


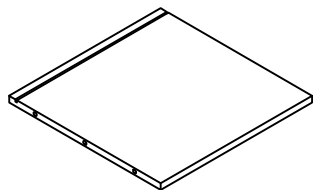
<p>A</p>  <p>12PCS</p>	<p>B</p>  <p>12PCS</p>	<p>C</p> <p>8*40</p>  <p>4PCS</p>	<p>D</p> <p>3*12</p>  <p>4PCS</p>	<p>E</p>  <p>4PCS</p>	<p>F</p>  <p>2PCS</p>
---	---	--	--	---	--

1



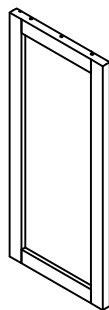
452*405 1PCS

2



390*390 1PCS

3



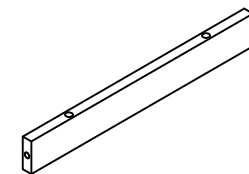
885*390 1PCS

4



885*390 1PCS

5



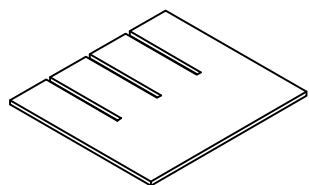
390*50 1PCS

6



879*400 1PCS

7



387*350 7PCS

8



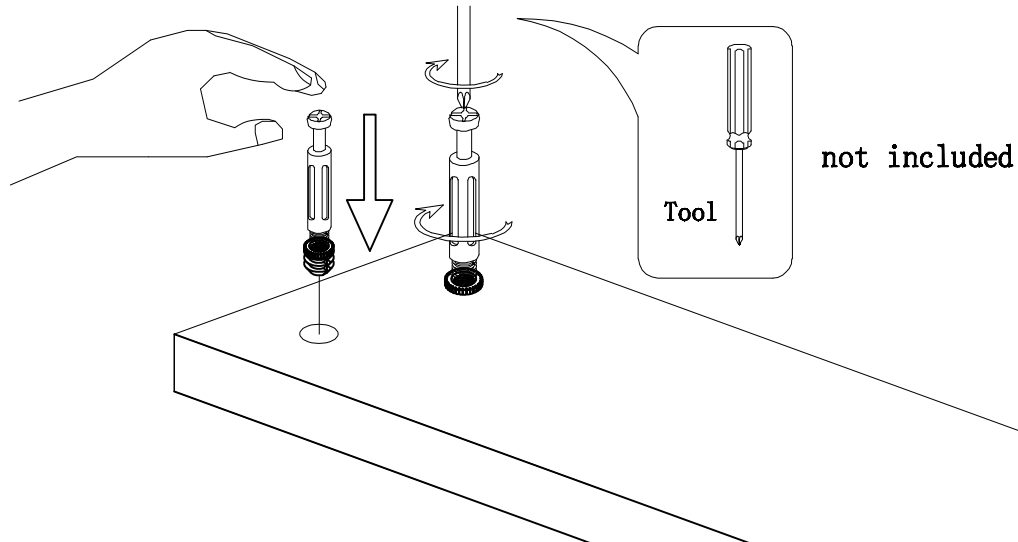
817*350 3PCS



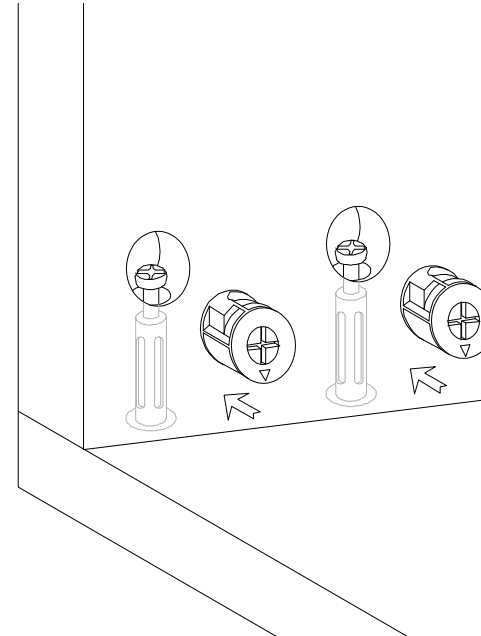
Hardware installation demonstration

NOTE: Please make sure "A" hardware tightened and can't be pulled out!

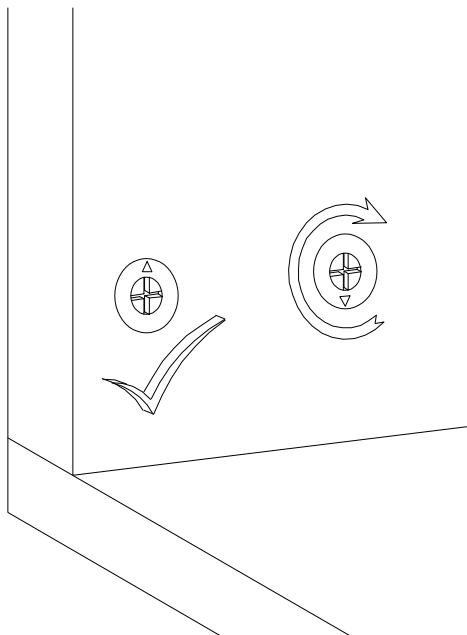
I



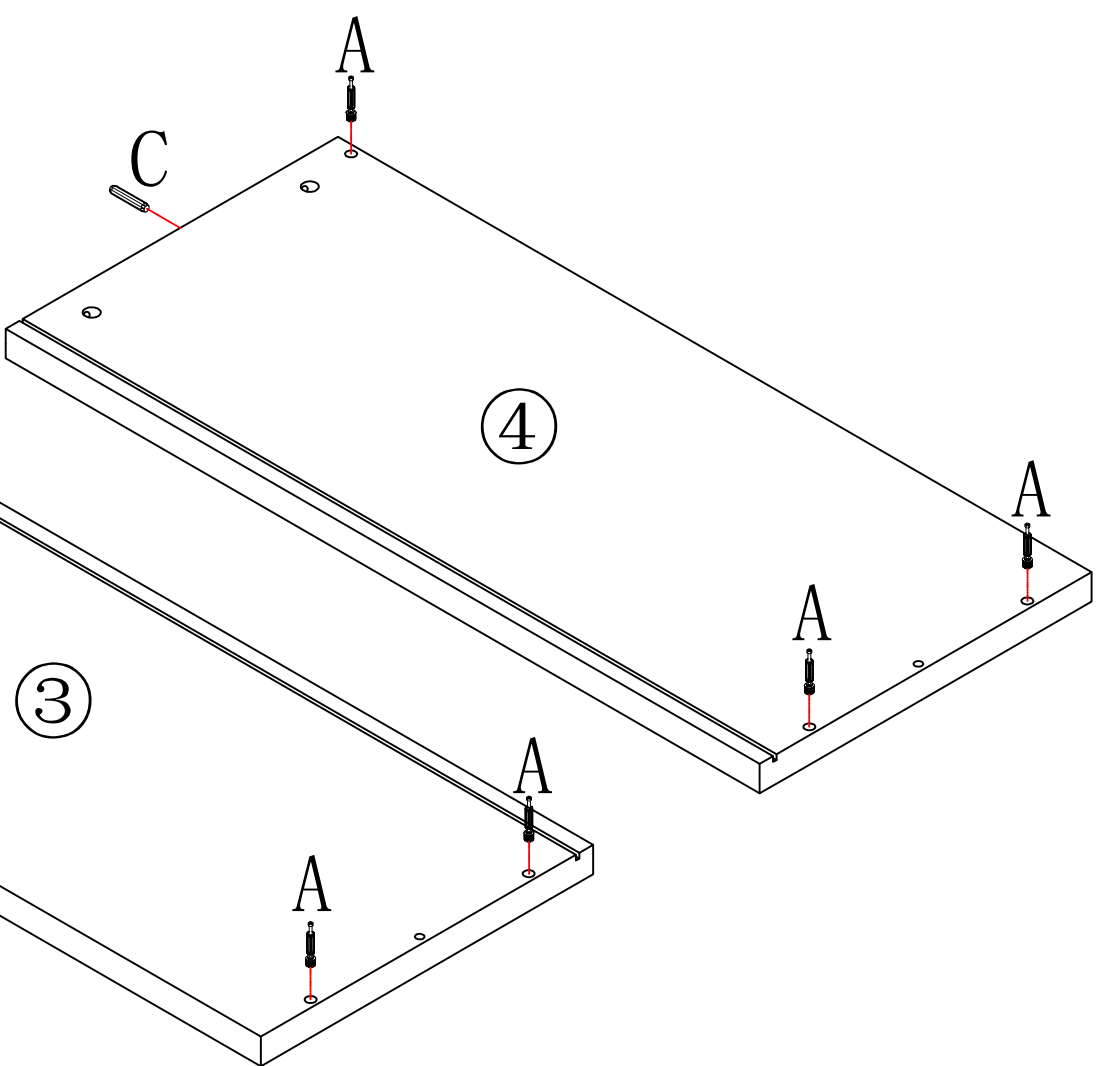
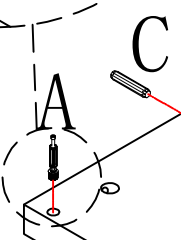
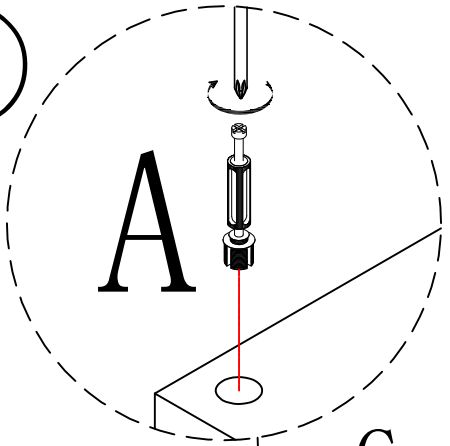
II


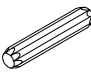


III



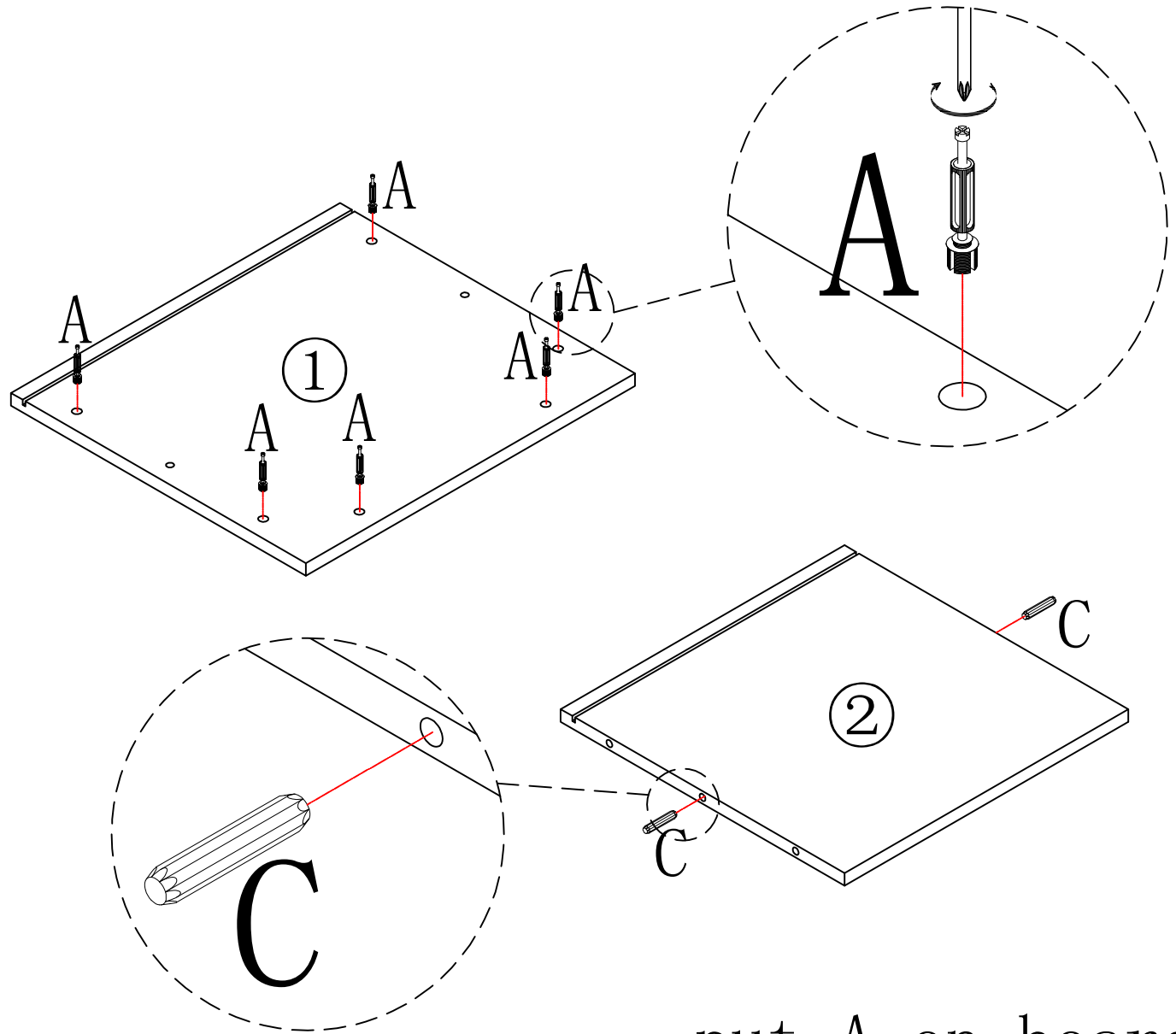
①



	A*6
	C*2


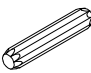
put A on board ③ ④
 put C on board ③ ④

2

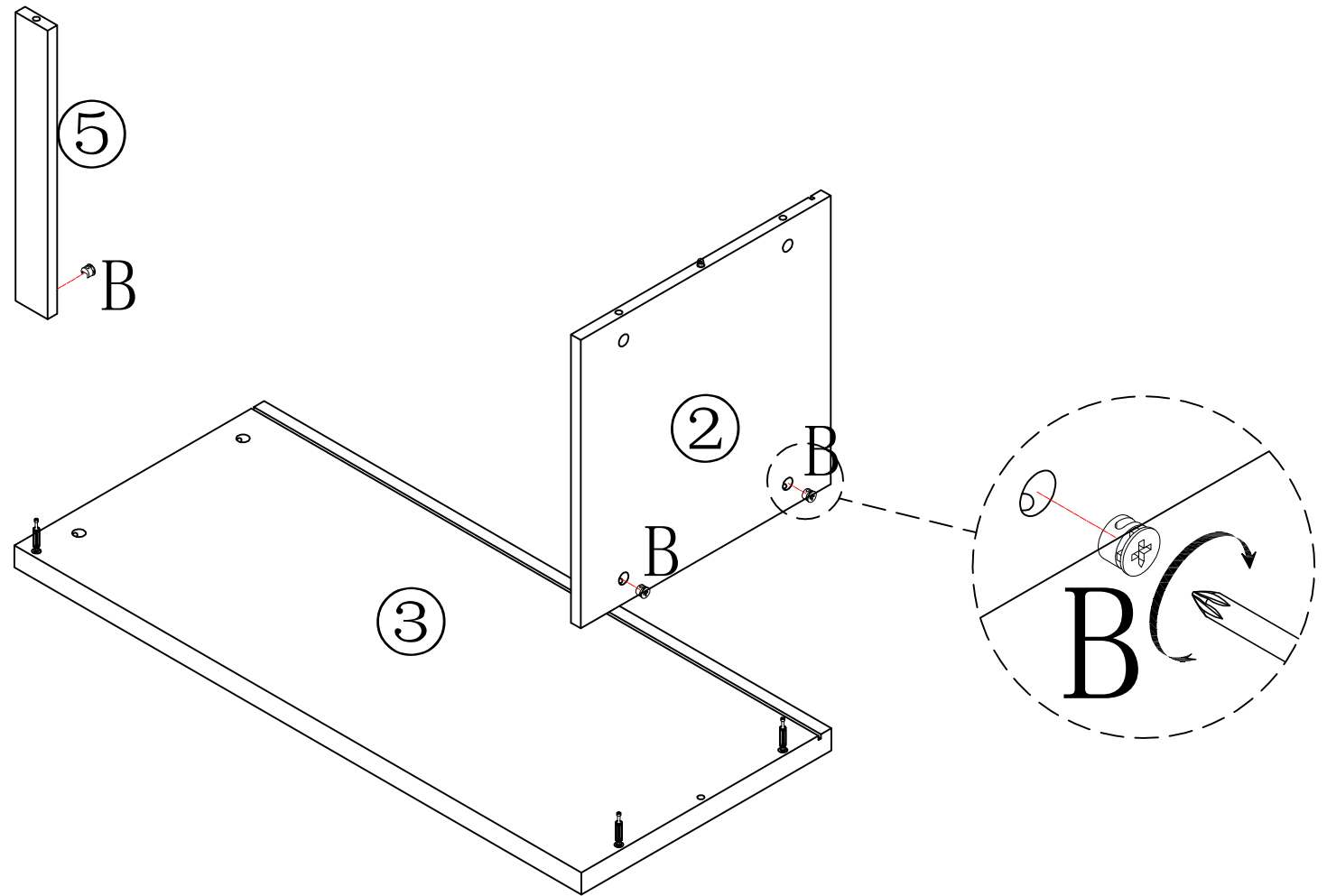


put A on board ①

put C on board ②

	A*6
	C*2

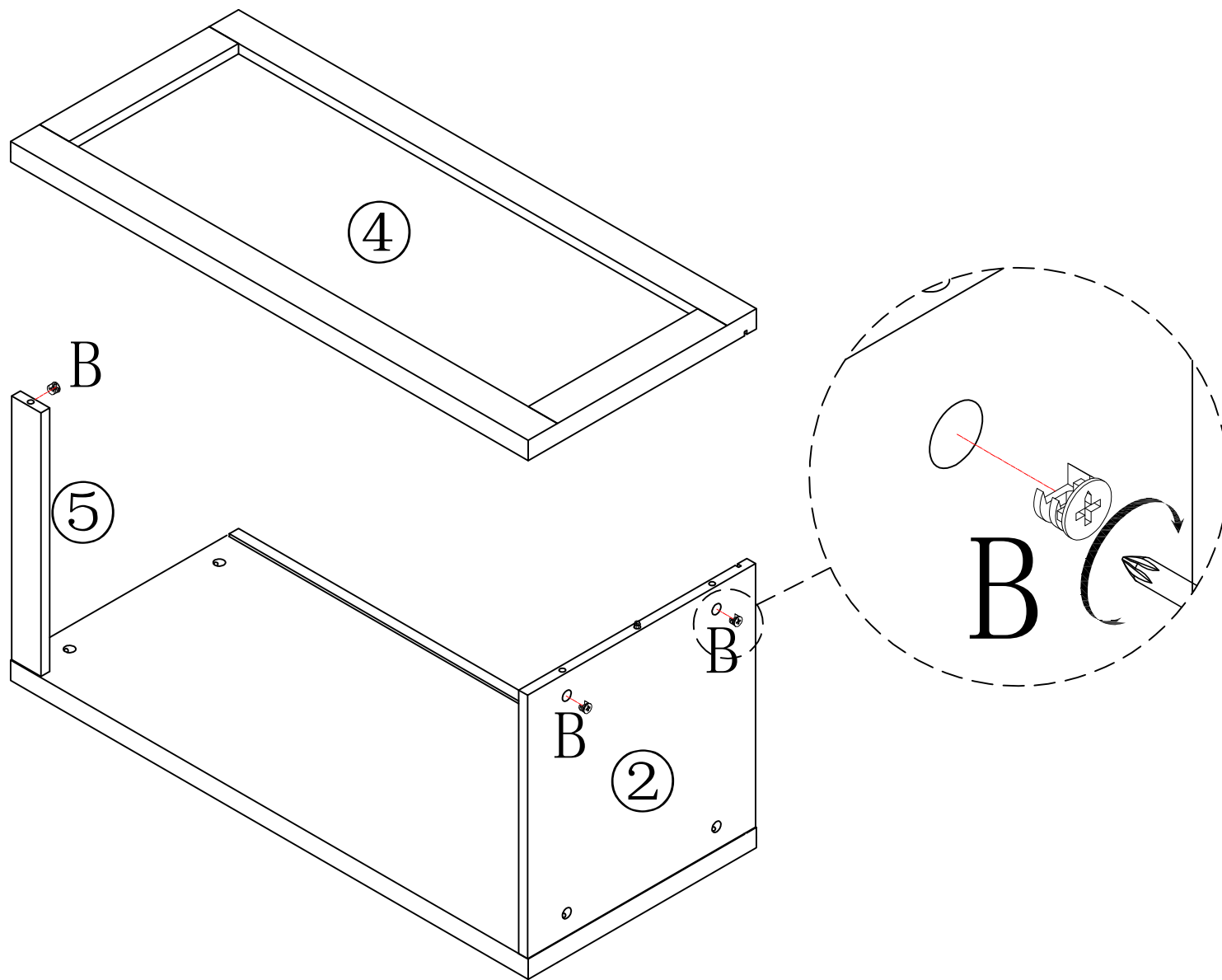
③



B*3

put B on board ② ⑤

4

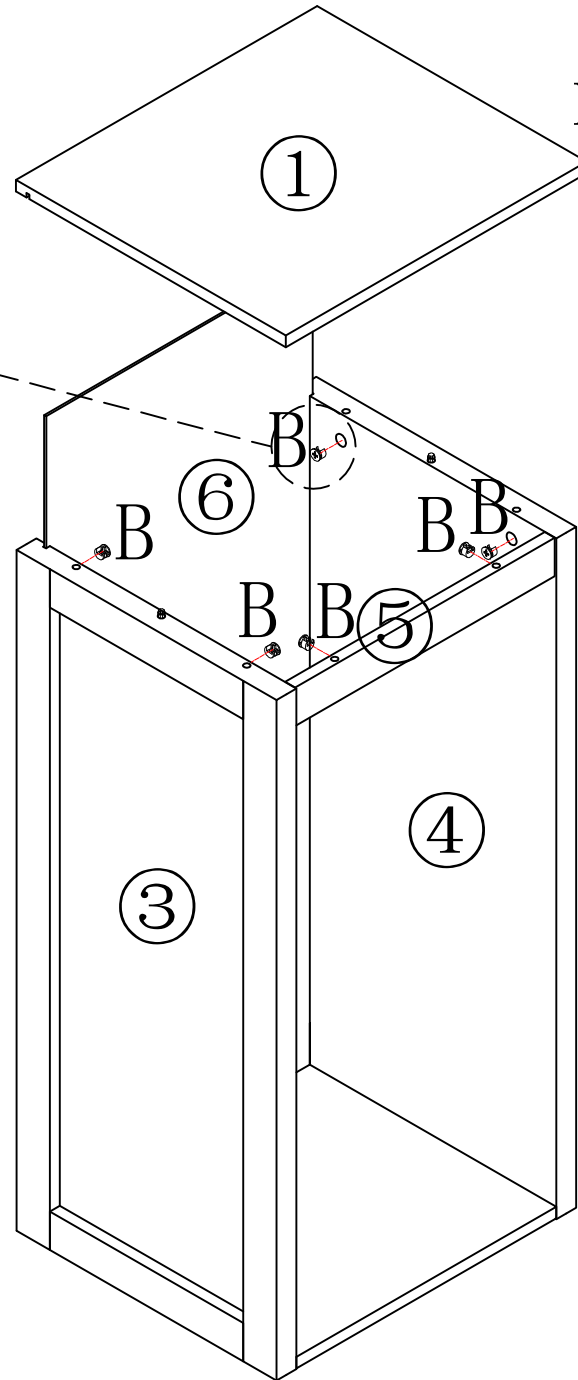
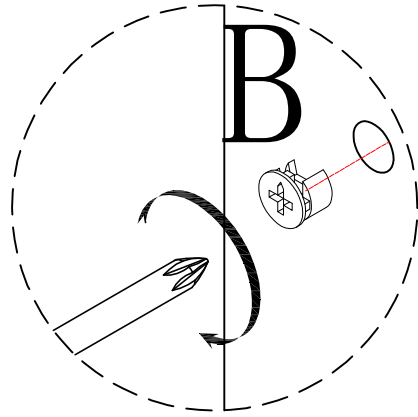


B*3

put B on board ② ⑤

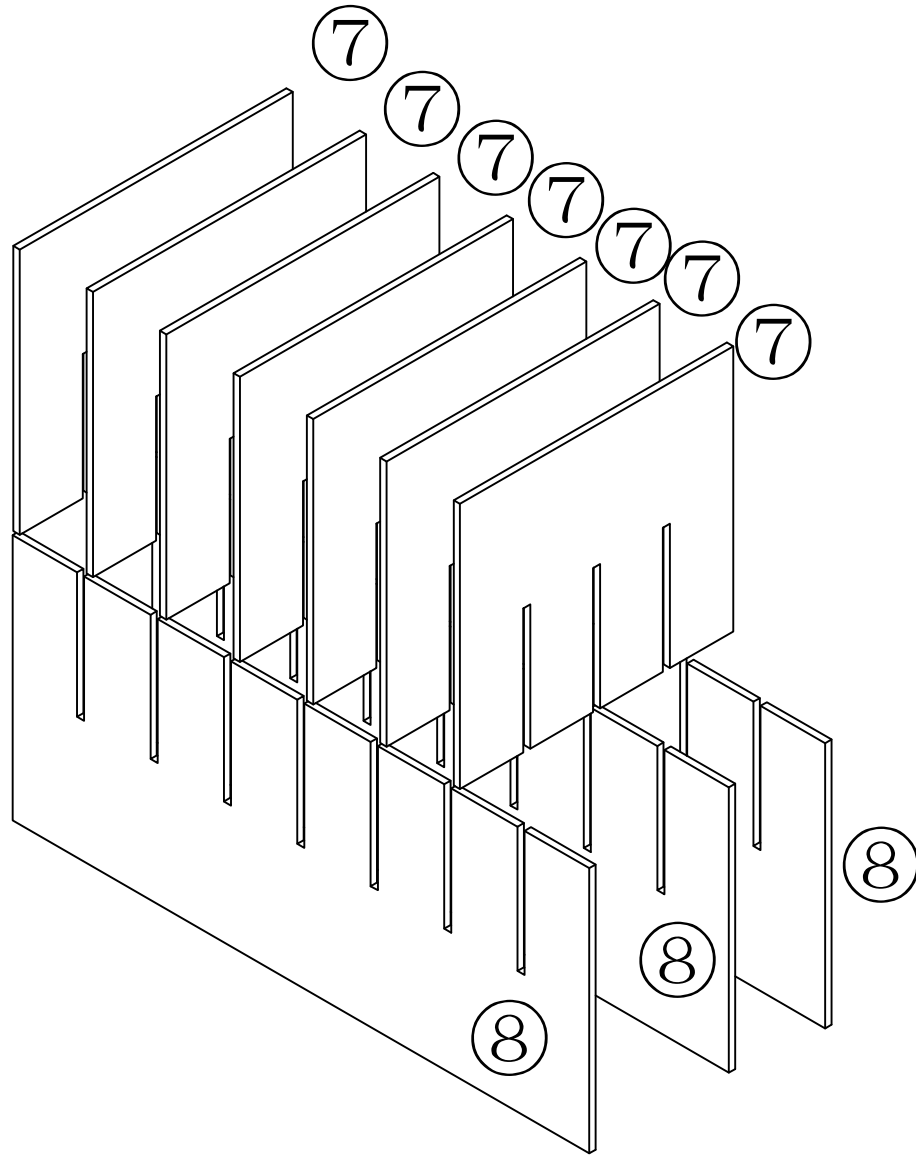
5

put B on board ③ ④ ⑤

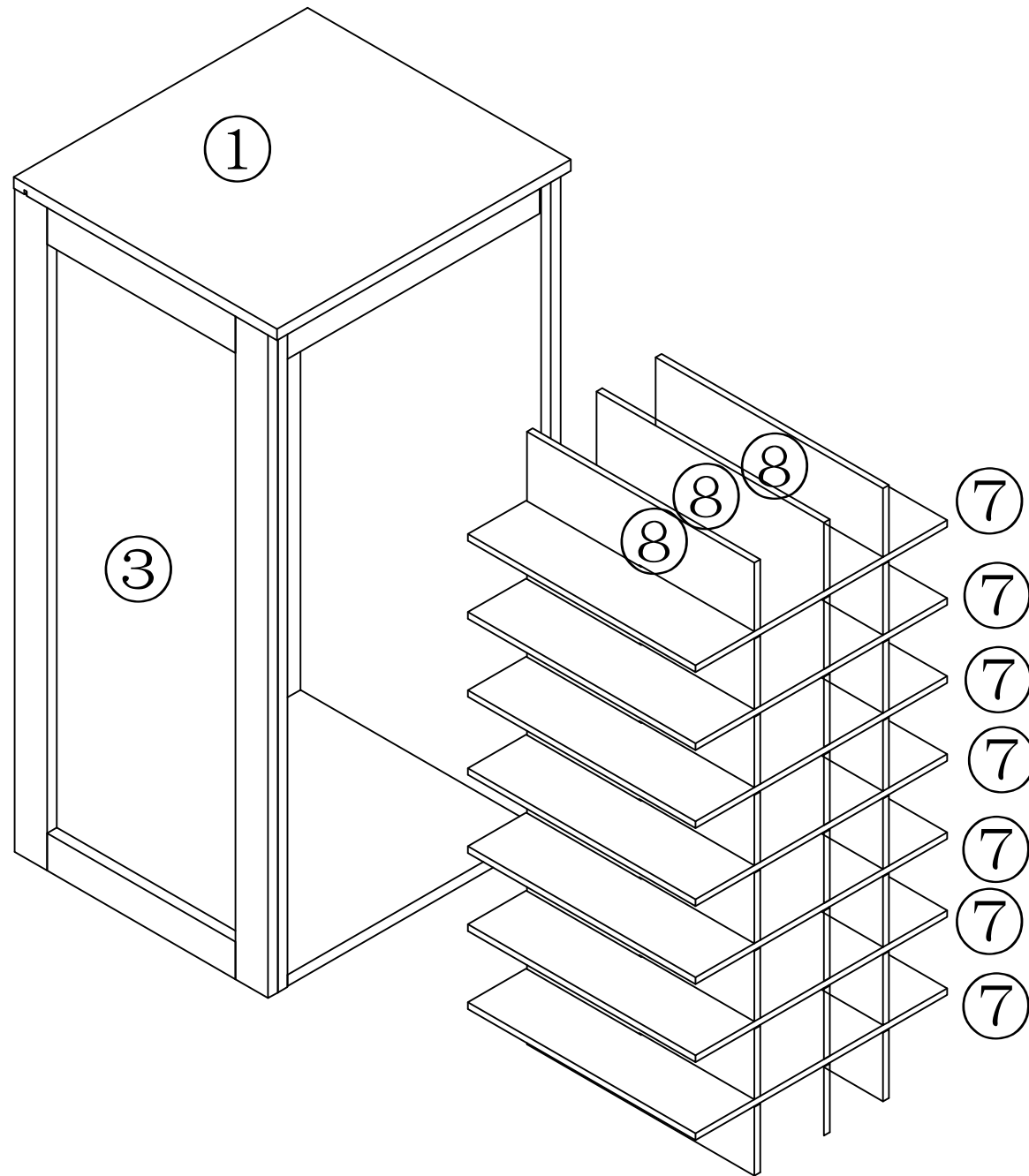


B*6

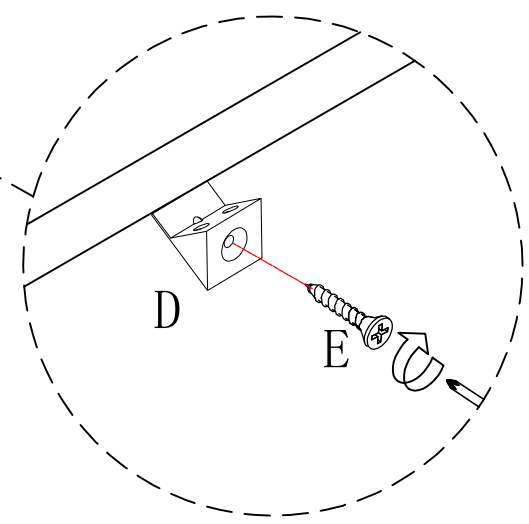
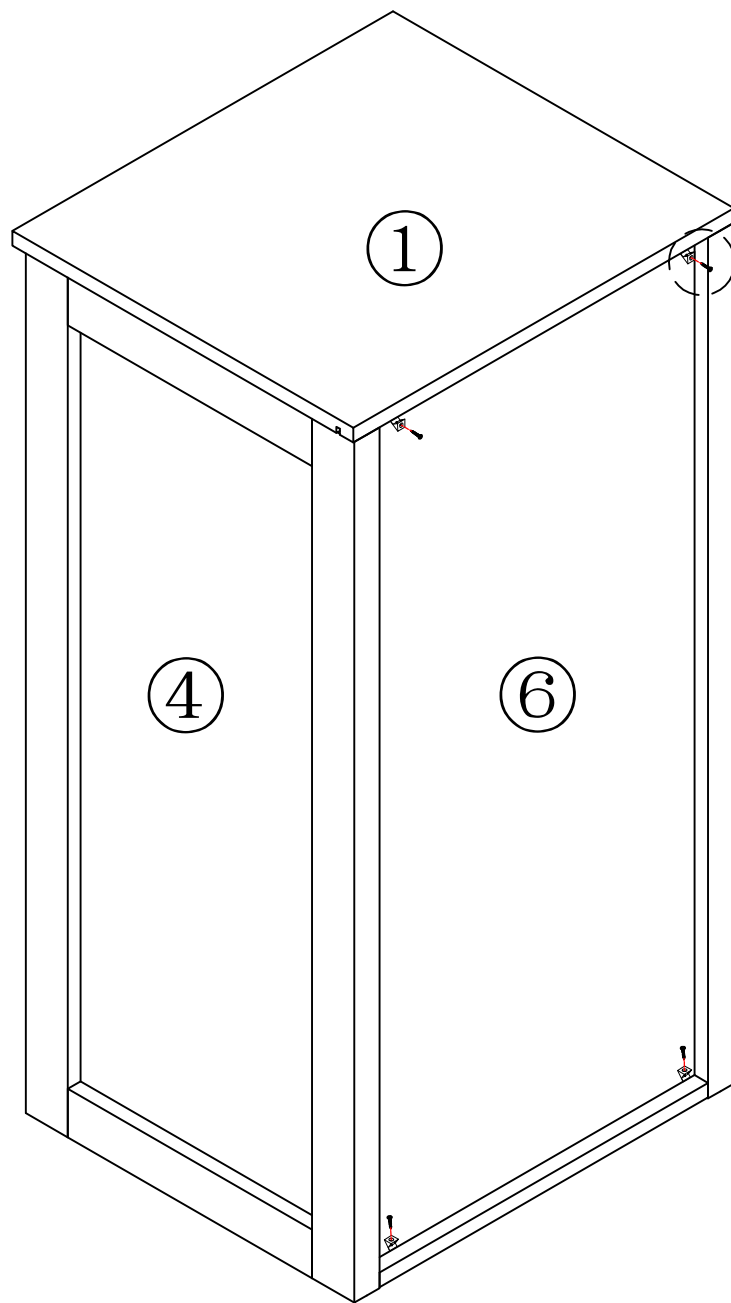
6


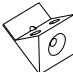


7

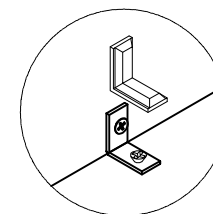
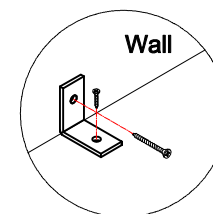
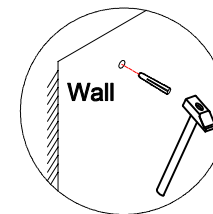
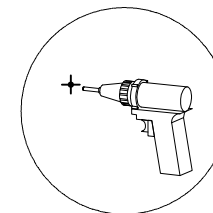
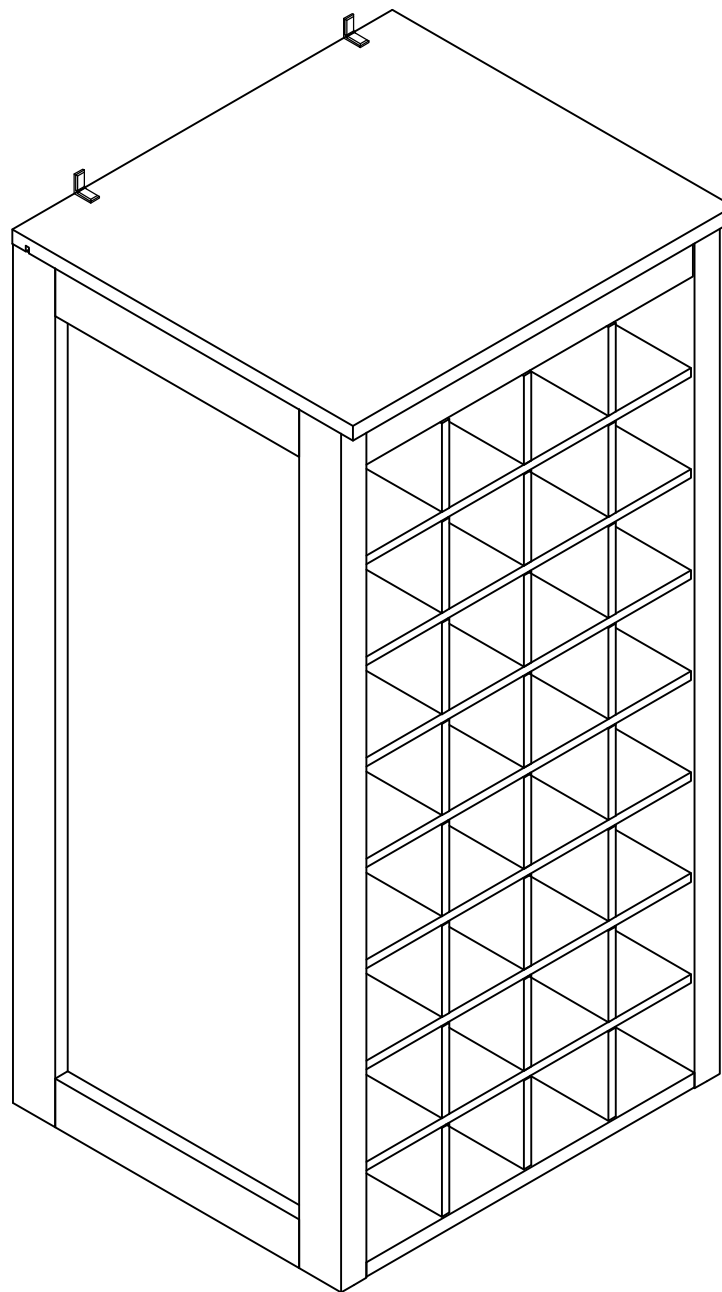


8

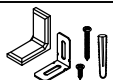


	D*4
	E*4

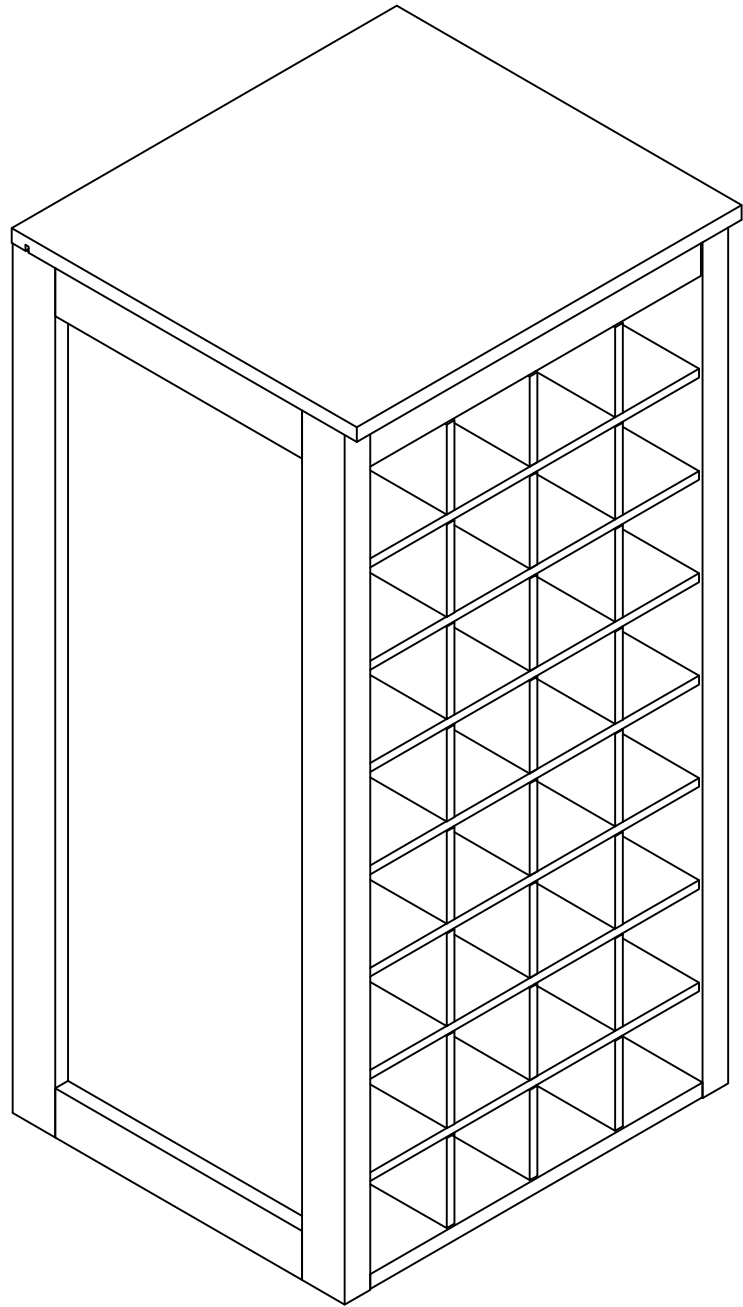
9



Please install tip-proof fitting.



F*2



END