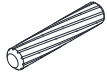
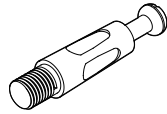


hardware

(N) x 18
Wood dowel
Ø7.8 X 30mm



(O) x 12
Cam bolt



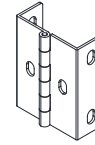
(P) x 12
Cam



(Q) x 10
Plastic cover



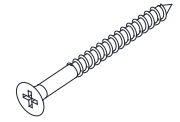
(R) x 4
Hinge



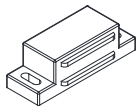
(S) x 18
Screw Ø3.5 X 12mm



(T) x 6
Screw Ø5 X 50mm



(U) x 1
Magnet



(V) x 12
Screw Ø3 X 16mm



(W) x 2
Metal plate



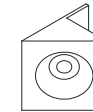
(X) x 2
Handle



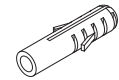
(Y) x 2
Bolt M4 x 20mm



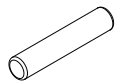
(Z) x 10
Plastic connector



(Aa) x 2
Wall anchor



(Bb) x 4
Shelf pin

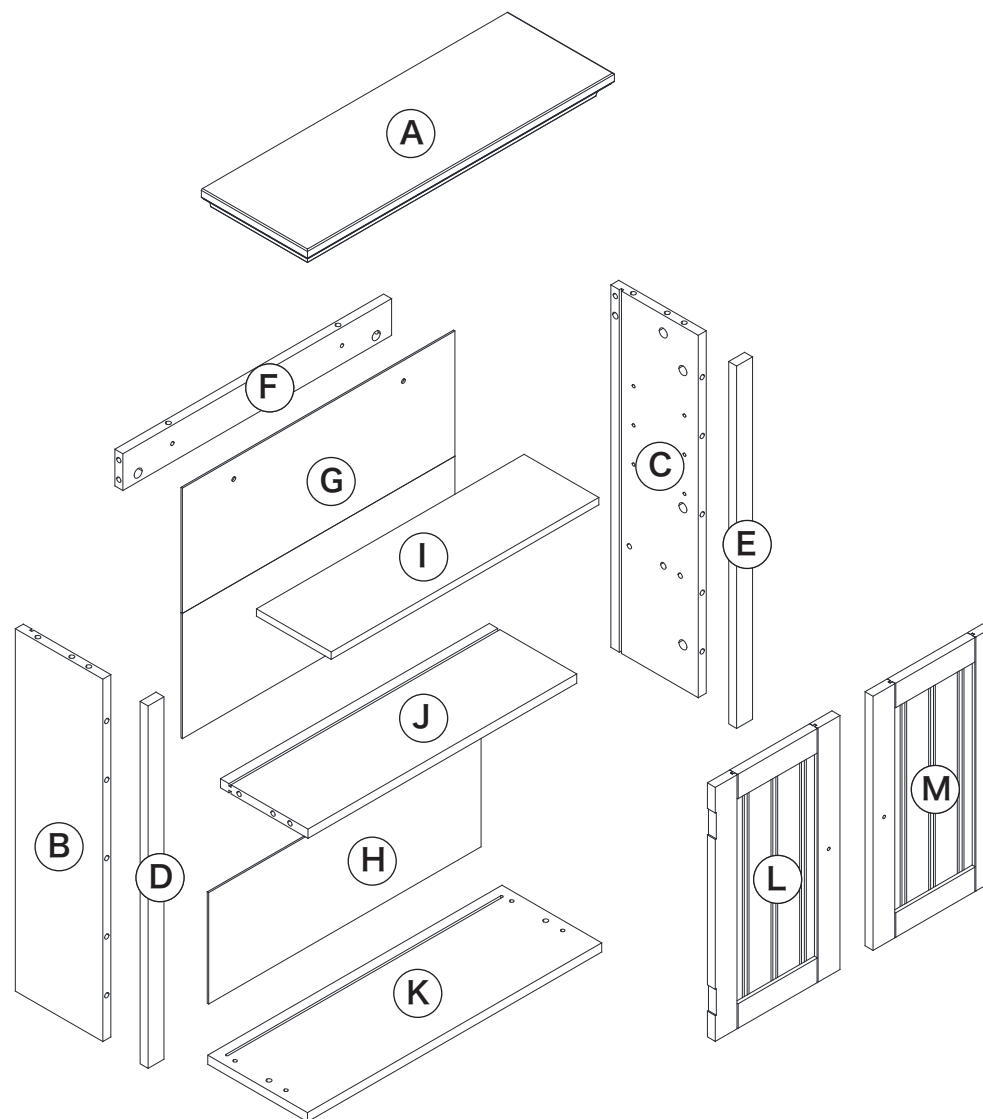


(Cc) x 1
Glue

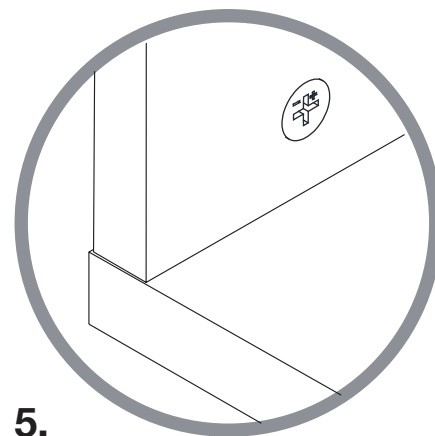
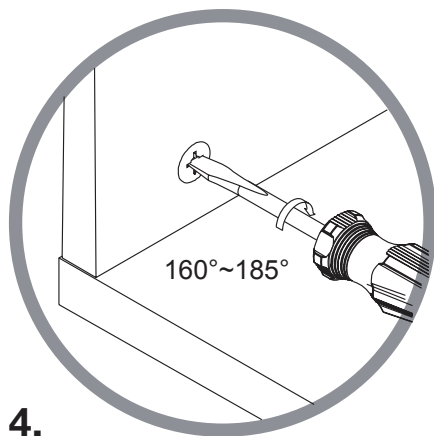
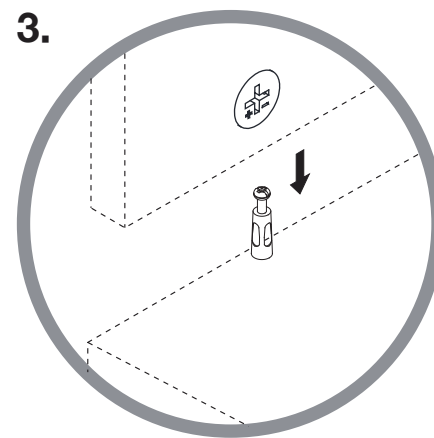
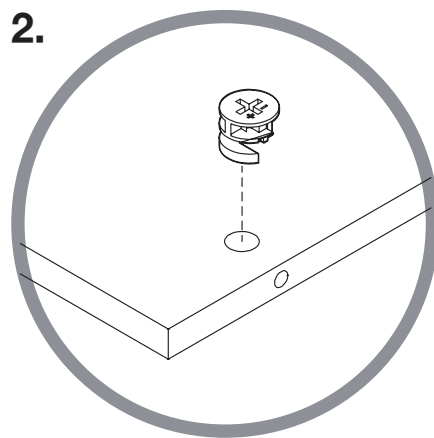
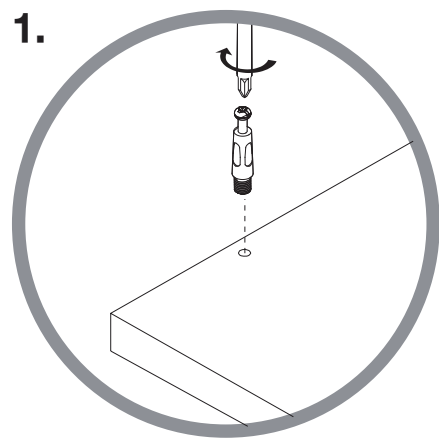


ITEM DESCRIPTION QUANTITY

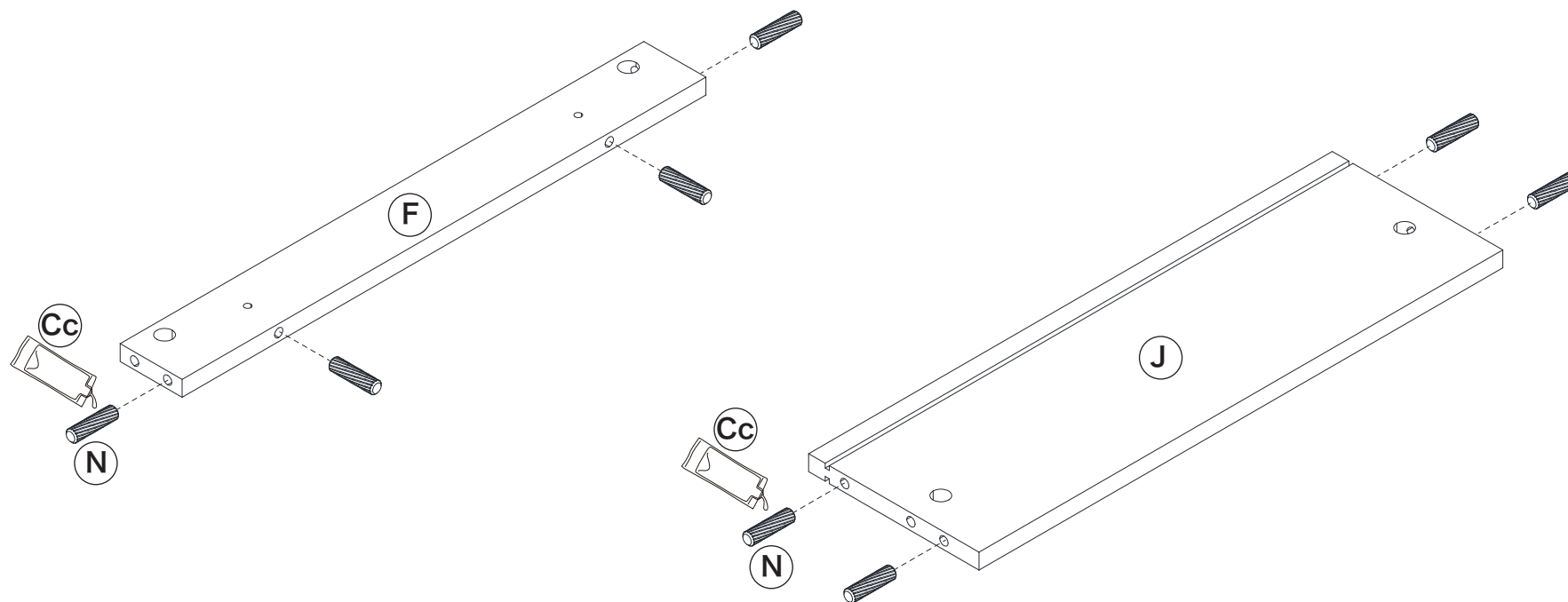
ITEM	DESCRIPTION	QUANTITY
A	Top	1
B	Left side panel	1
C	Right side panel	1
D	Left front trim	1
E	Right front trim	1
F	Back rail	1
G	Upper back panel	1
H	Lower back panel	1
I	Adjustable shelf	1
J	Fixed shelf	1
K	Bottom	1
L	Left door panel	1
M	Right door panel	1
N	Wood dowel Ø7.8 X 30mm	18
O	Cam bolt	12
P	Cam	12
Q	Plastic cover	10
R	Hinge	4
S	Screw Ø3.5 X 12mm	18
T	Screw Ø5 X 50mm	6
U	Magnet	1
V	Screw Ø3 X 16mm	12
W	Metal plate	2
X	Handle	2
Y	Bolt M4 x 20mm	2
Z	Plastic connector	10
Aa	Wall anchor	2
Bb	Shelf pin	4
Cc	Glue	1



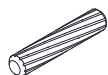
how to use the cam lock system



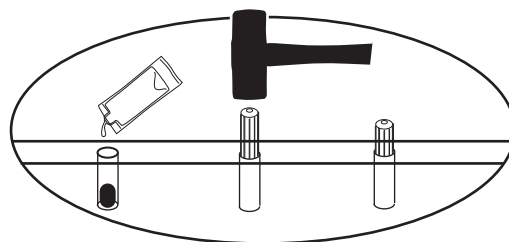
step 1.



(N) x 8
Wood dowel
Ø7.8 X 30mm

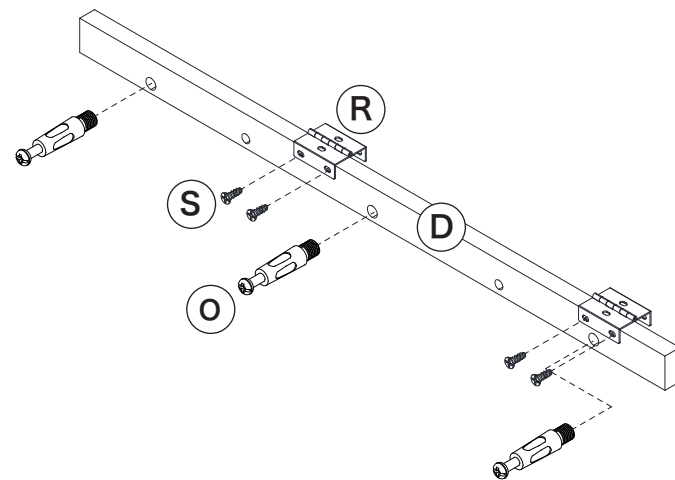
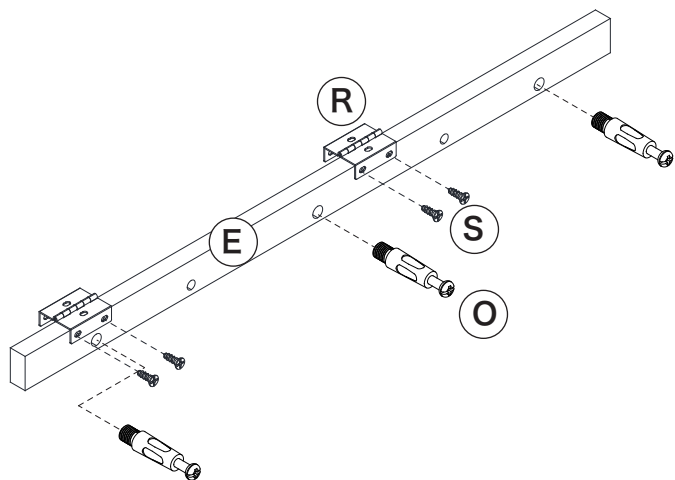


(Cc)
Glue

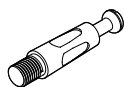


1. Squirt some glue (Cc) into the wood dowel hole as shown in the image.
2. Insert the wood dowel (N) to the part (F) and (J).

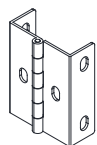
step 2.



(O) x 6
Cam bolt



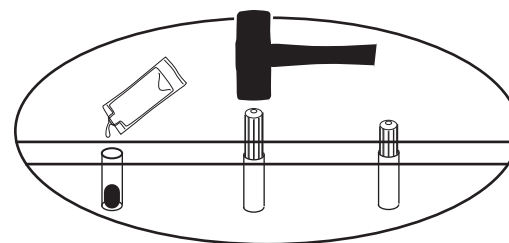
(R) x 4
Hinge



(S) x 8
Screw Ø3.5 X 12mm

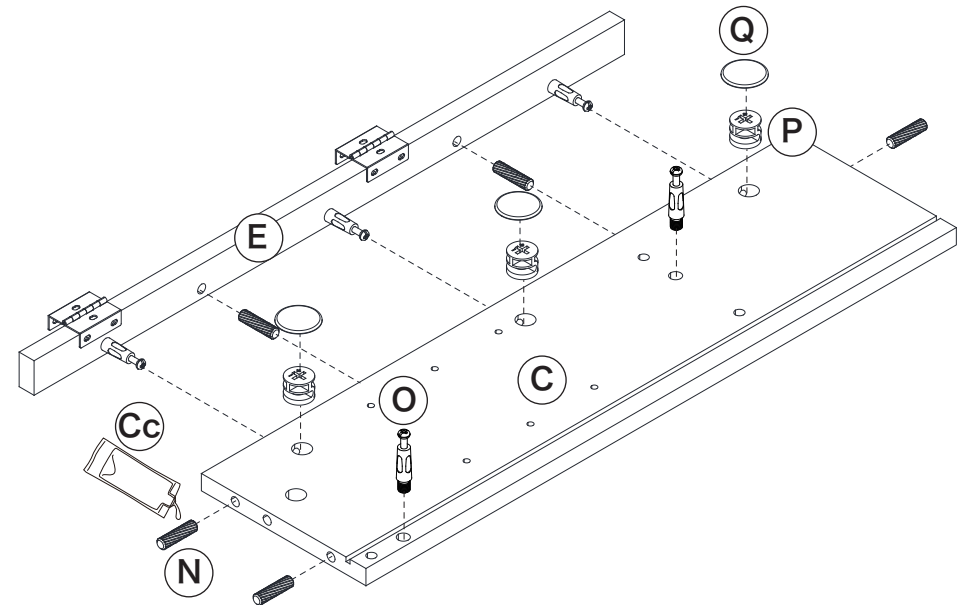
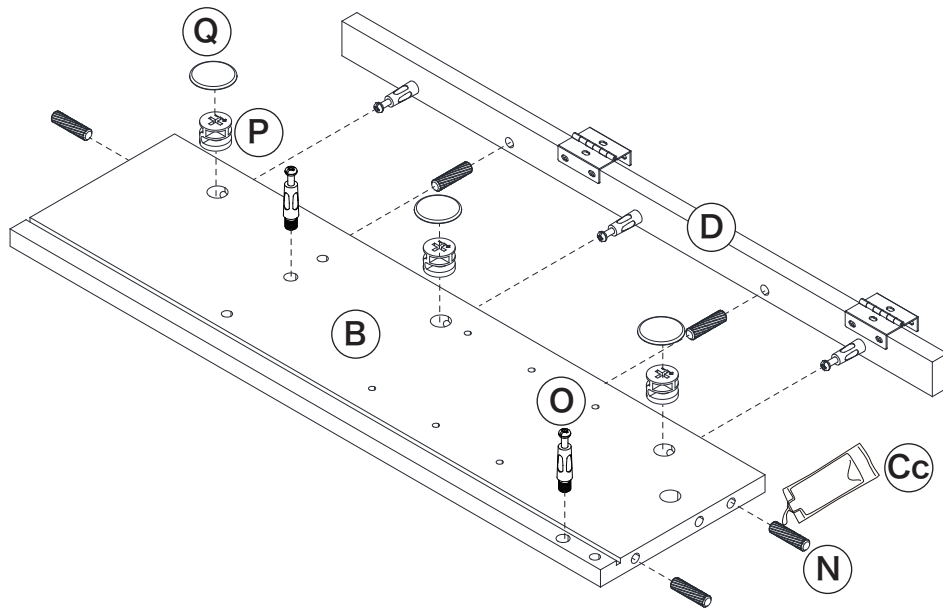


(Cc)
Glue

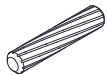


1. Attach the cam bolt (O) to the part (D) and (E).
2. Attach the hinge (R) to the part (D) and (E) using screw (S).

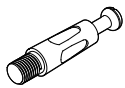
step 3.



(N) x 10
Wood dowel
Ø7.8 X 30mm



(O) x 4
Cam bolt



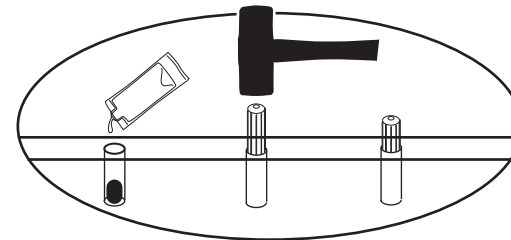
(P) x 6
Cam



(Q) x 6
Plastic cover

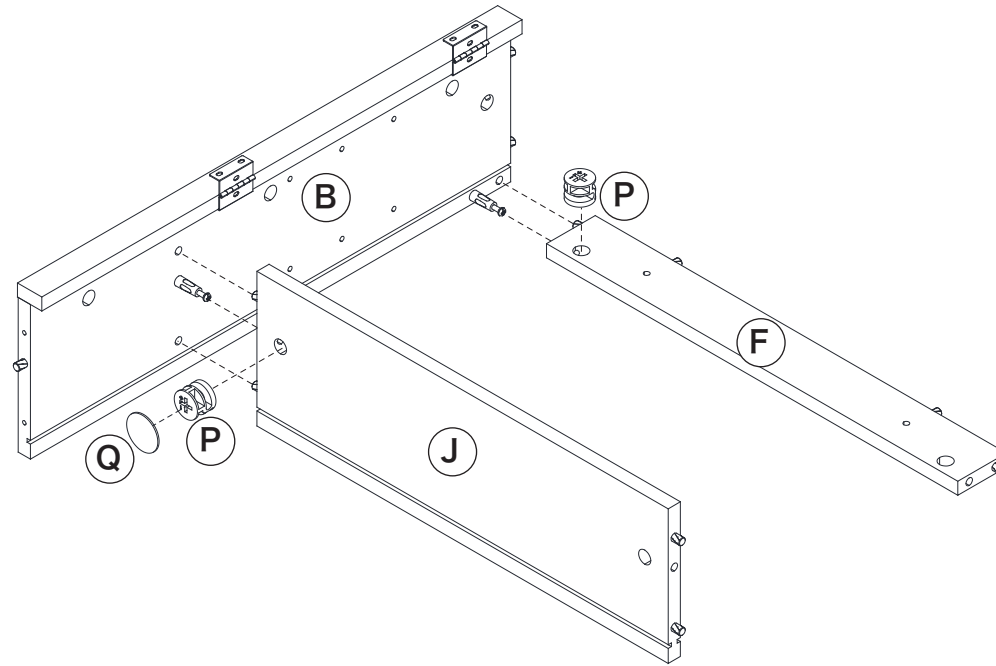


(Cc)
Glue



1. Squirt some glue (Cc) into the wood dowel hole as shown in the image.
2. Insert the wood dowel (N) to the part (B) and (C).
3. Attach the cam bolt (O) to the part (B) and (C).
4. Attach the part (B) and (D) using the wood dowel (N) and cam bolt (O).
5. Attach the part (C) and (E) using the wood dowel (N) and cam bolt (O).
6. Tighten the part (B) and (C) using cam (P) as image shown.
7. Cover the cam holes using plastic (Q).

step 4.



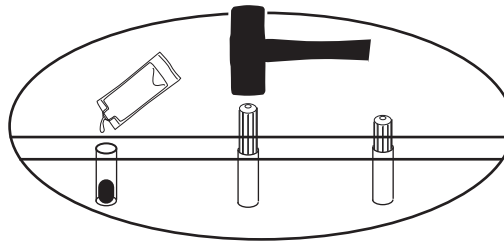
(P) x 2
Cam



(Q) x 1
Plastic cover

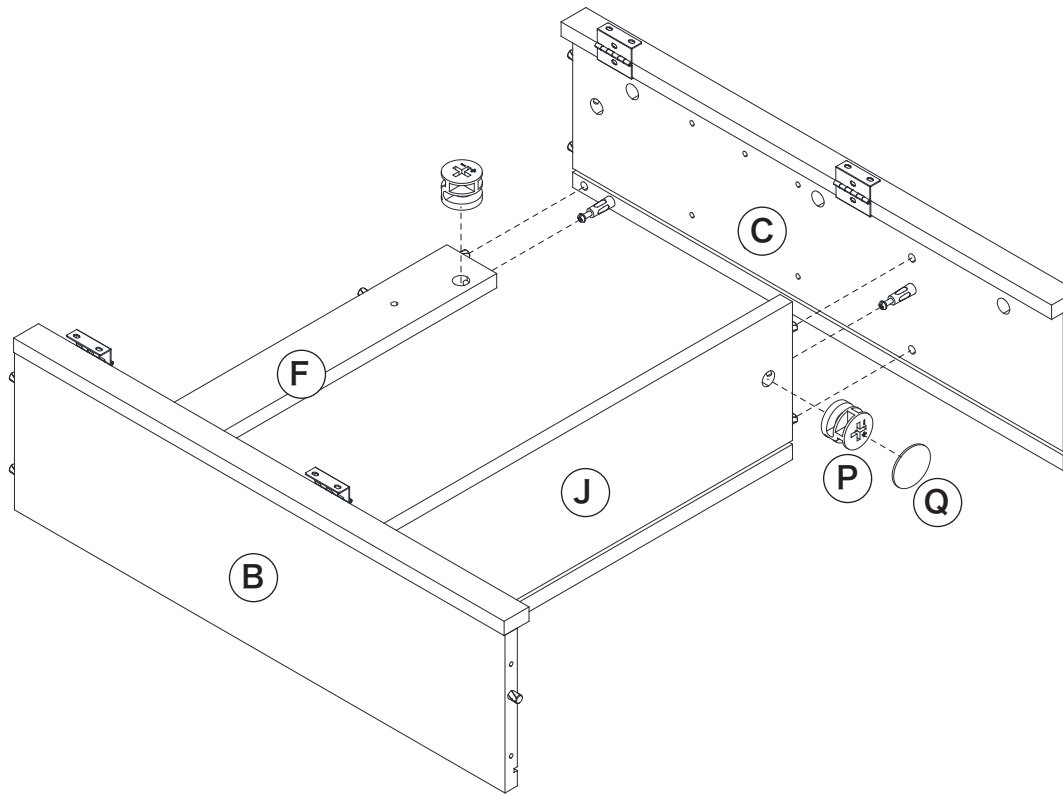


(Cc)
Glue



1. Squirt some glue (Cc) into the wood dowel hole as shown in the image.
2. Attach the part (F) and (J) to part (B) using the wood dowel (N) and cam bolt (O).
3. Tighten the part (J) and (F) using cam (P) as image shown.
4. Cover the cam holes using plastic cover (Q).

step 5.



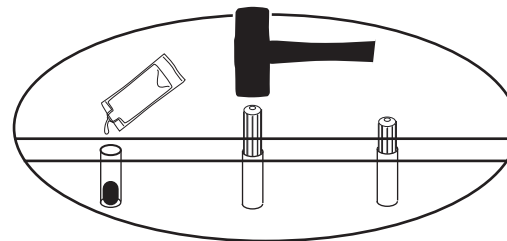
(P) x 2
Cam



(Q) x 1
Plastic cover

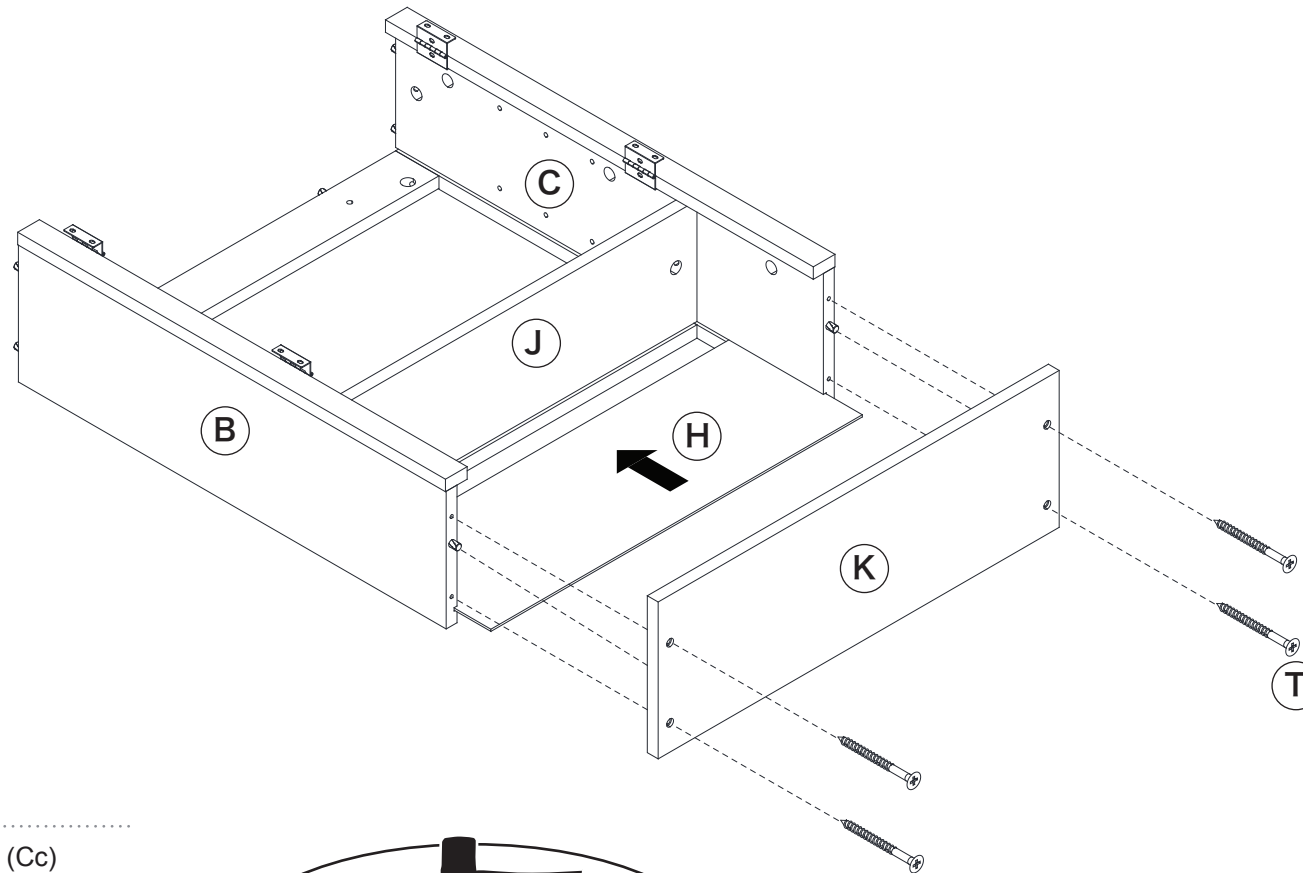


(Cc)
Glue

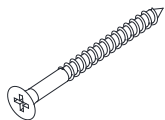


1. Squirt some glue (Cc) into the wood dowel hole as shown in the image.
2. Attach the part (F) and (J) to part (C) using the wood dowel (N) and cam bolt (O).
3. Tighten the part (J) and (F) using cam (P) as image shown.
4. Cover the cam holes using plastic cover (Q).

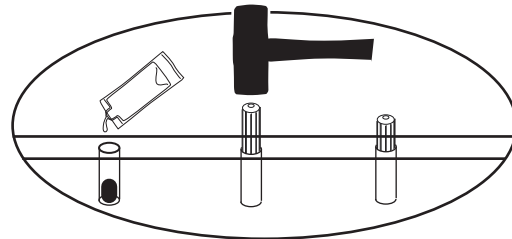
step 6.



(T) x 4
Screw Ø5 X 50mm

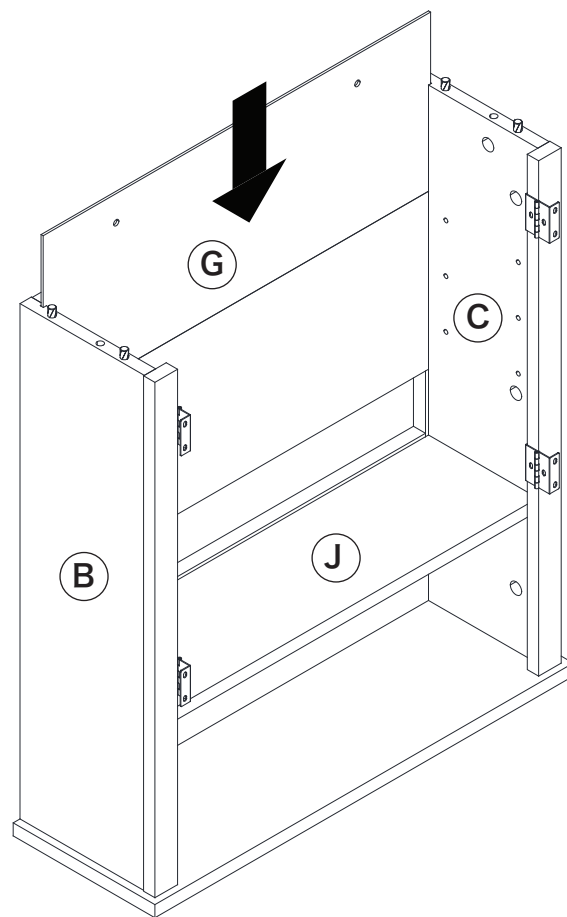


(Cc)
Glue



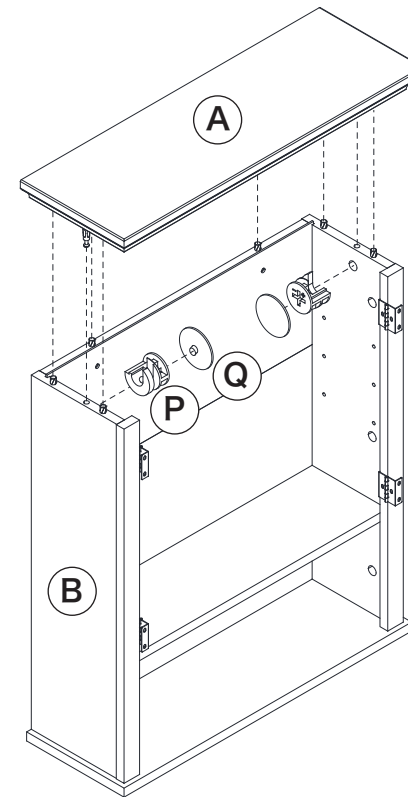
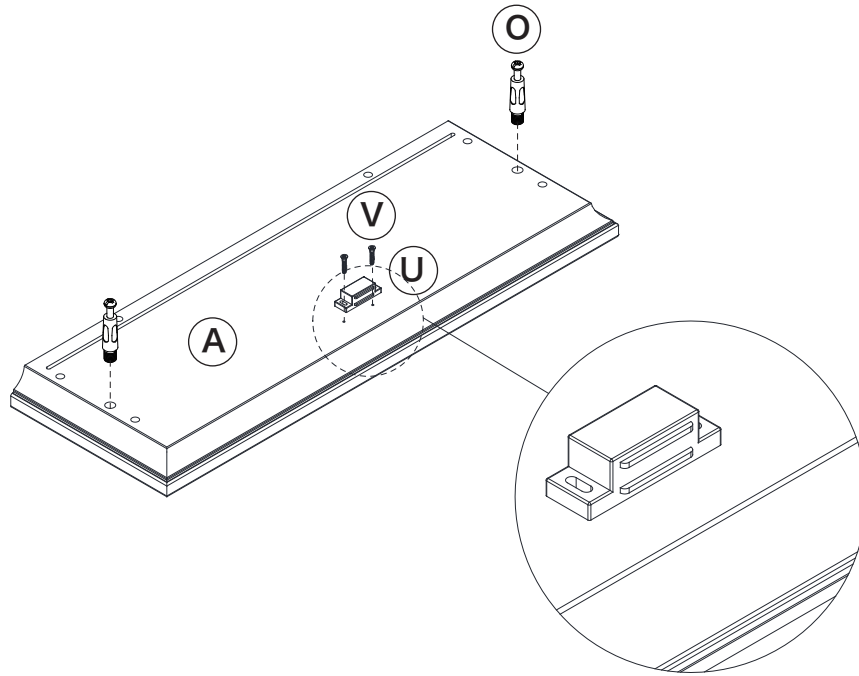
1. Squirt some glue (Cc) into the wood dowel hole as shown in the image.
2. Insert the part (H) to the groove of parts (B), (C) and (J).
3. Attach the part (K) to part (B) using the wood dowel (N) and screw (T), make sure the back panel inserted into the groove of the top properly.

step 7.

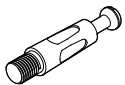


1. Insert part (G) to the groove of parts (B),(C) and (J).

step 8.



(O) x 2
Cam bolt



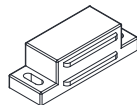
(P) x 2
Cam



(Q) x 2
Plastic cover



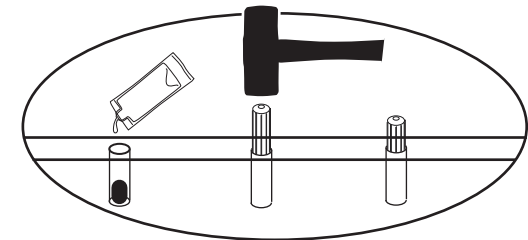
(U) x 1
Magnet



(V) x 2
Screw Ø3 X 16mm

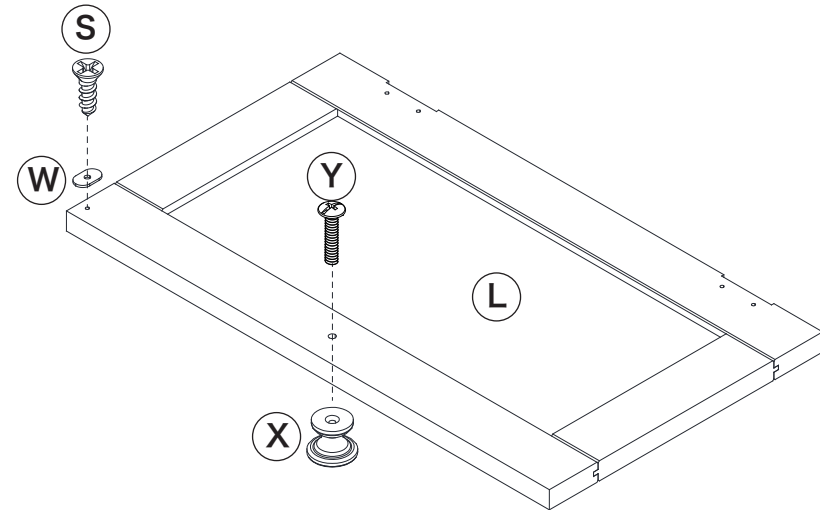
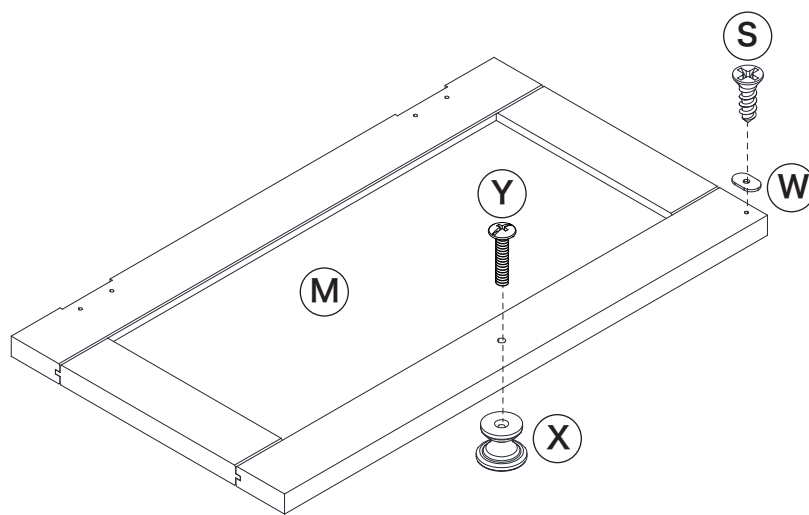


(Cc)
Glue



1. Attach the magnet (U) to the part (A) with screw (V), please pay attention and make sure the side of the magnet is correct.
2. Attach the cam bolt (O) to the part (A).
2. Squirt some glue (Cc) into the wood dowel hole as shown in the image.
3. Attach the part (A) to the parts using wood dowel (N) and cam bolt (O) as the image shown, make sure the back panel is inserted into the groove of the top properly.
4. Tighten all the parts with cam (P).
5. Cover the cam holes using plastic cover (Q).

step 9.



(S) x 2
Screw Ø3.5 X 12mm

(W) x 2
Metal plate

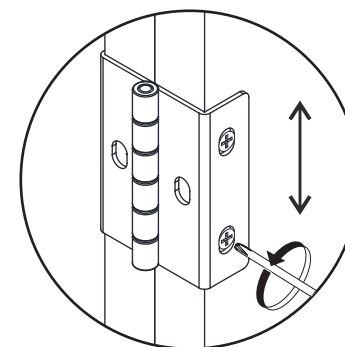
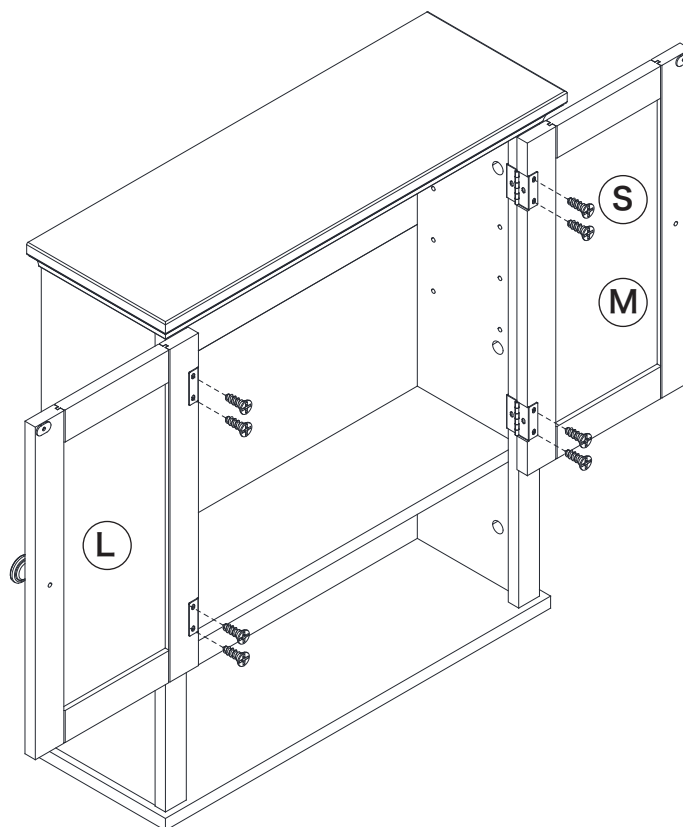
(X) x 2
Handle

(Y) x 2
Bolt M4 x 20mm



1. Attach the metal plate (W) to the part (L) and (M) with screw (S).
2. Attach the handle (X) to the part (L) and (M) using screw (Y).

step 10.

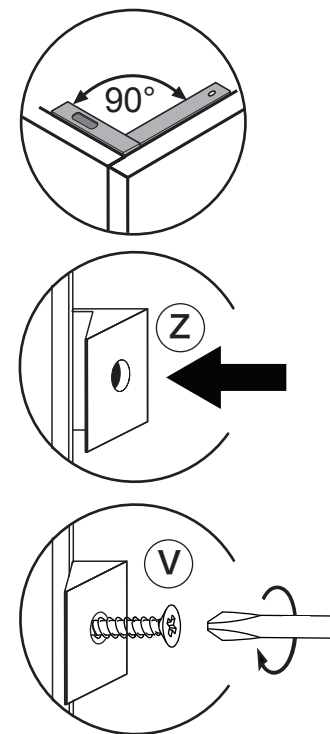
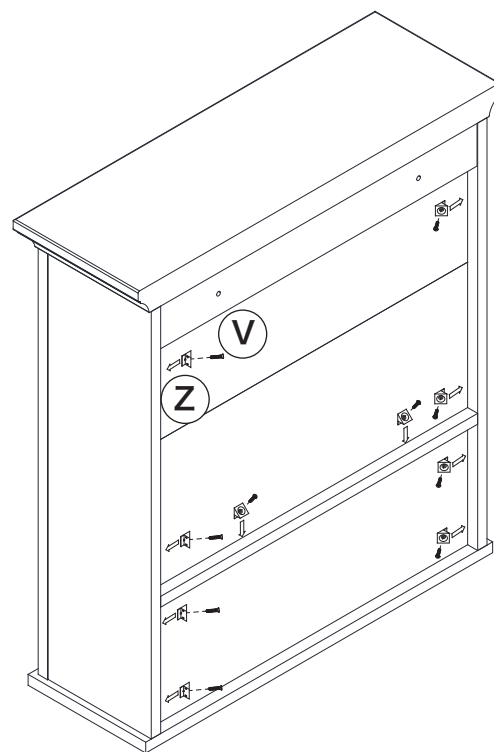


(S) x 8
Screw Ø3.5 X 12mm



1. Attach the door panel (L) and (M) to the body using the hinge (R) and screw (S).
2. You could make adjustment on the hinge if you found any gap difference on the door as image shown.

step 11.



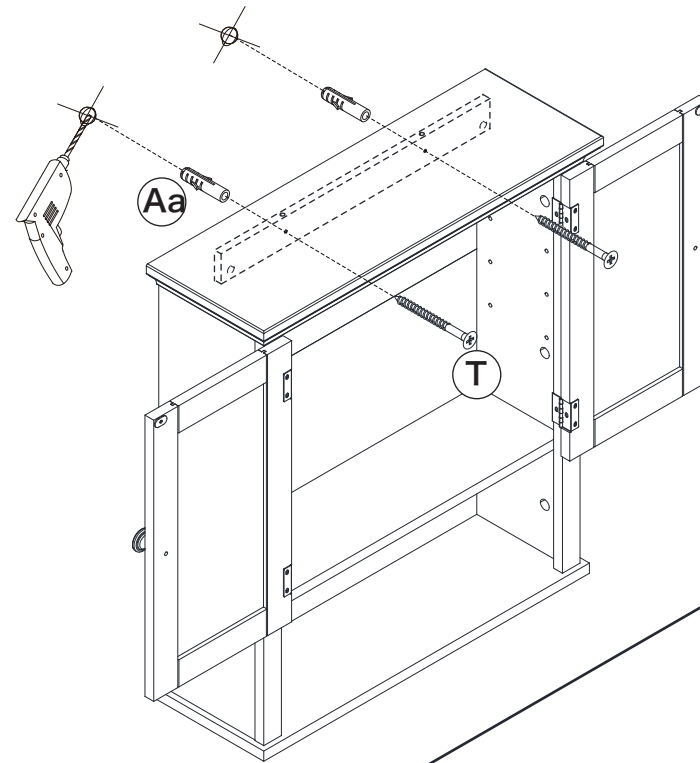
(V) x 10
Screw Ø3 X 16mm

(Z) x 10
Plastic connector



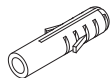
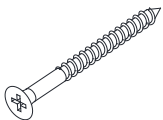
1. Attach the plastic connector (Z) to the product with screw (V).

step 12.



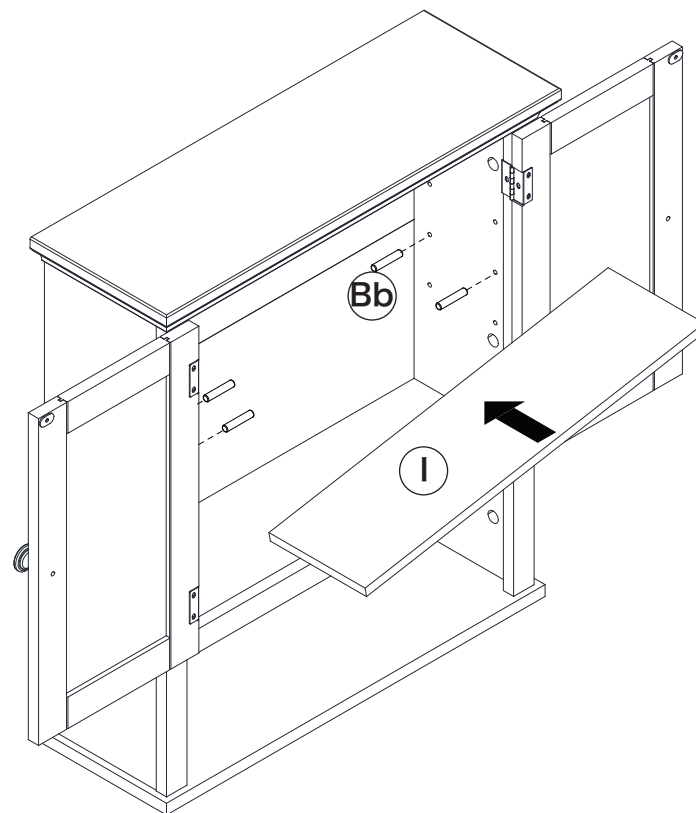
(T) x 2
Screw $\varnothing 5 \times 50\text{mm}$

(Aa) x 2
Wall anchor

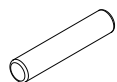


1. Mark the screw hole in the wall according to the product height.
2. Drill holes in the wall using an 8mm sized drill bit.
3. Tap the wall anchors (Aa) into the hole using a hammer.
4. Attach the screw (T) to the wall anchor (Aa) through the product screw hole.

step 13.



(Bb) x 4
Shelf pin



1. Insert the shelf pin (Bb) to the shelf pin hole on parts (B) and (C). You can adjust your using height by adjust the shelf pin.
2. Put the shelf (I) into the product as image shown.