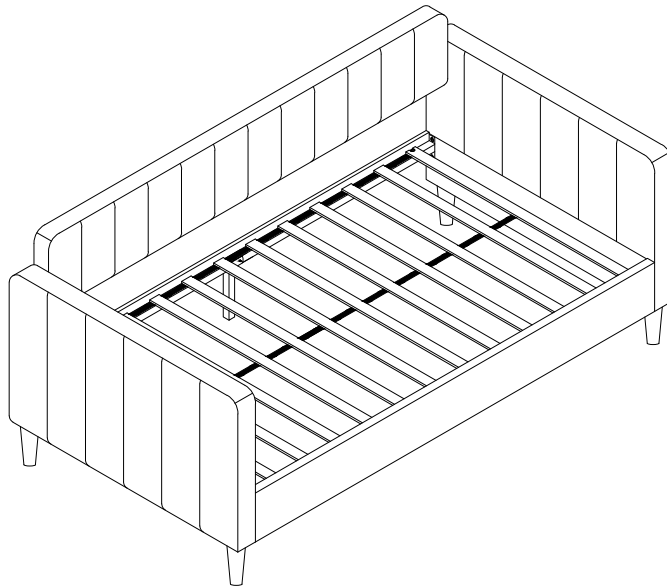
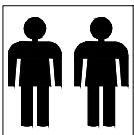


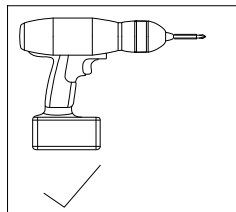
ASSEMBLY INSTRUCTION



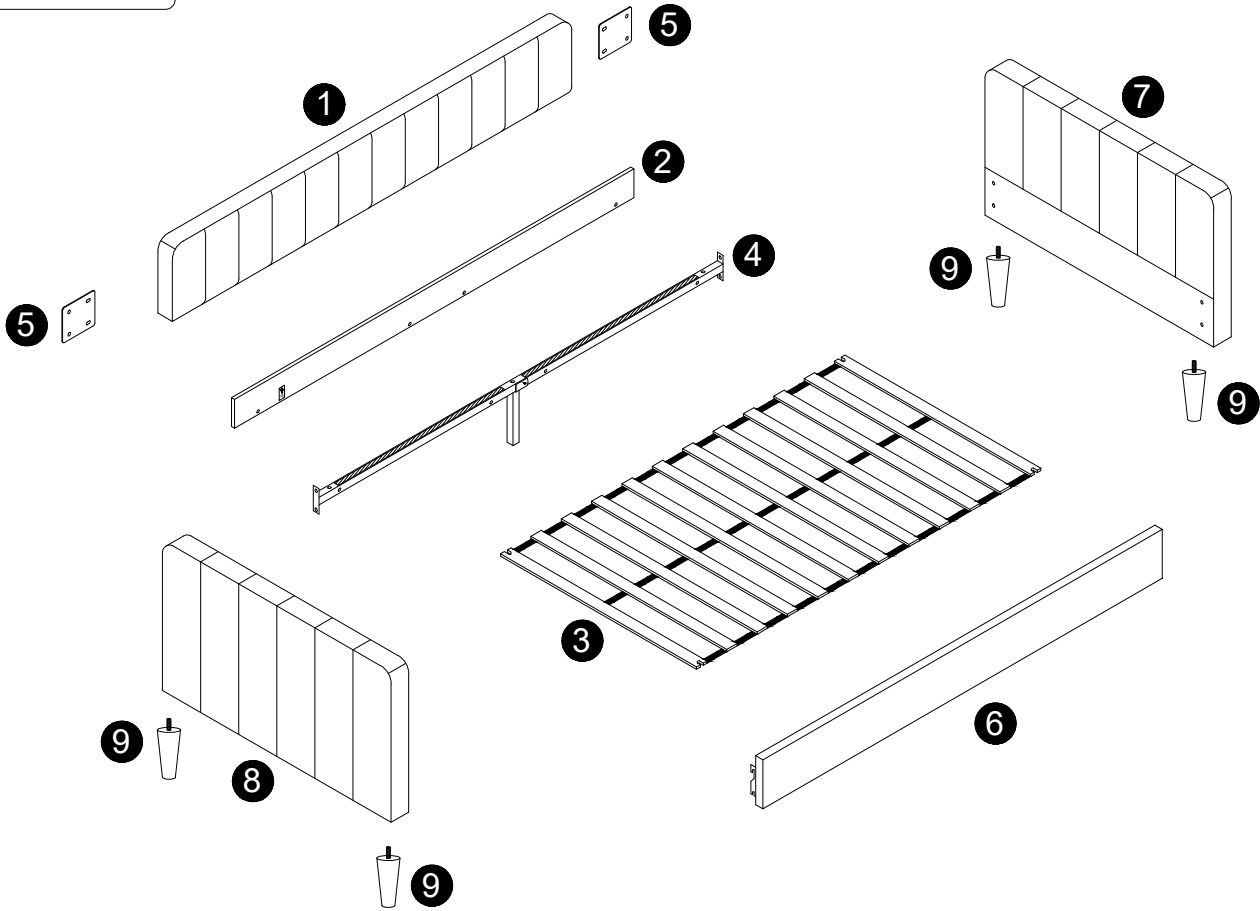
- 1. The bed comes in two packages. Please carefully check the box quantity, When you receive the package. if you receive missing or the same two packages,**
2. FOR THE PROTECTION OF YOUR FURNITURE, PLACE ALL PARTS ON A CLEAN AND SMOOTH SURFACE TO PREVENT ANY DAMAGE.
3. DO NOT USE POWER TOOLS TO ASSEMBLE THE BED.
4. PLEASE PERIODICALLY CHECK ALL FITTINGS AND RE-TIGHTEN AS NECESSARY.
5. DO NOT USE THE BED UNLESS ALL BOLTS AND SCREWS ARE FIRMLY SECURED.
6. NEED PARTS OR ASSISTANCE?
7. YOU CAN ASSEMBLE IT WITH OUR PACKAGING TOOLS OR WITH A.



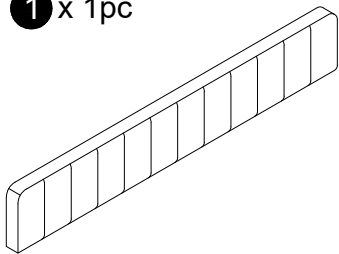
Minimum two
person assembly



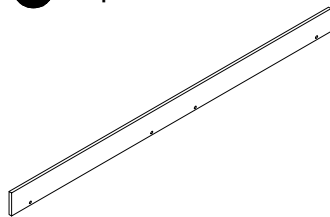
PART LIST



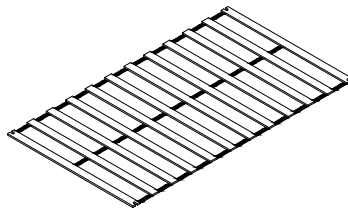
1 x 1pc



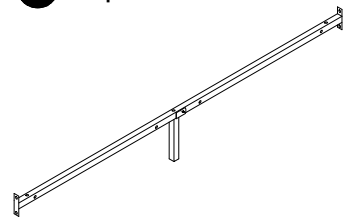
2 x 1pc



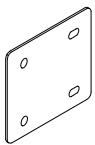
3 x 1pc



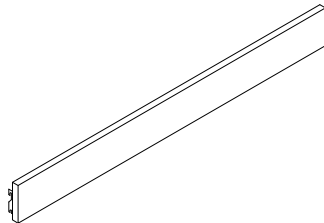
4 x 1pc



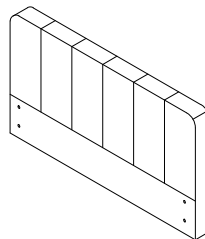
5 x 2pcs



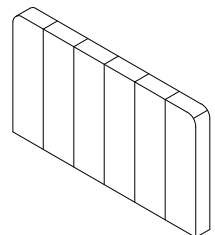
6 x 1pc



7 x 1pc



8 x 1pc



9 x 4pcs



HARDWARE LIST



H1 M5 x 1pc



H2 M8x30mm x 20pcs



H3 M8x45mm x 5pcs

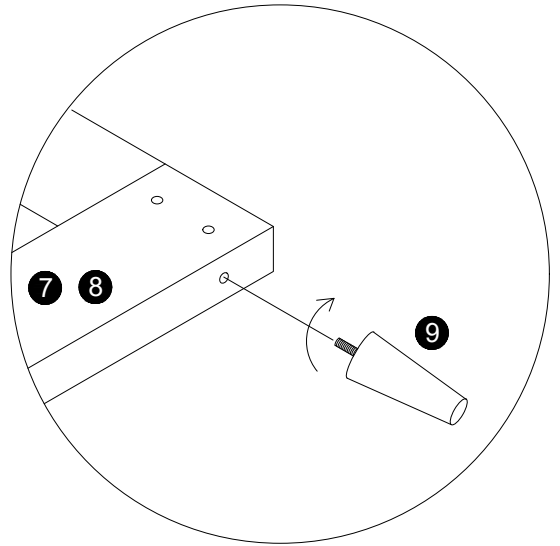
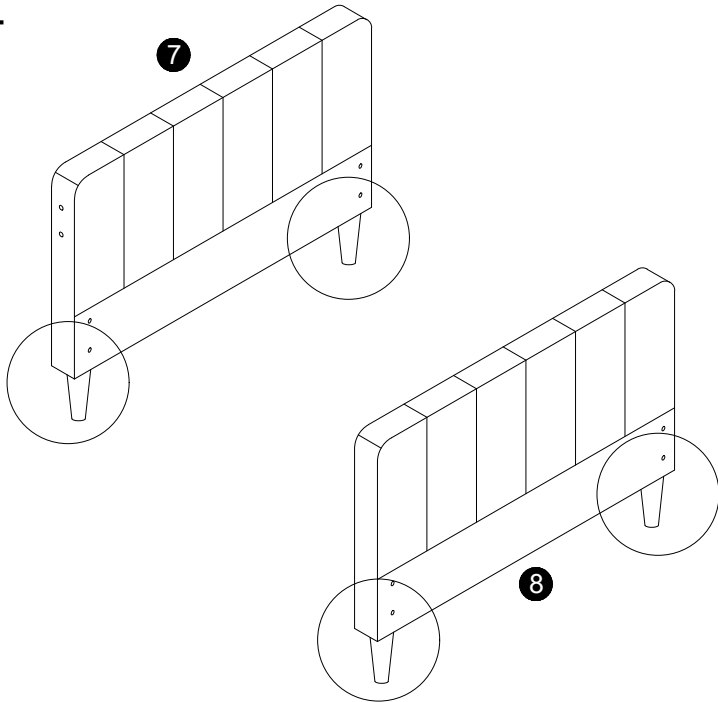


H4 M8x17mm x 25pcs

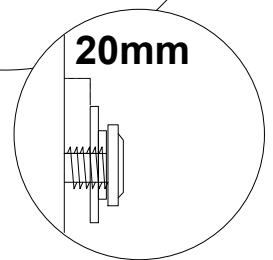
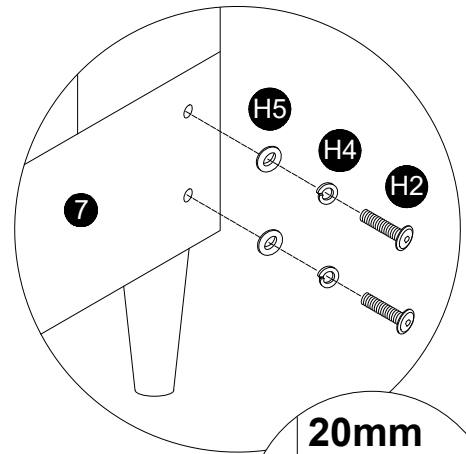
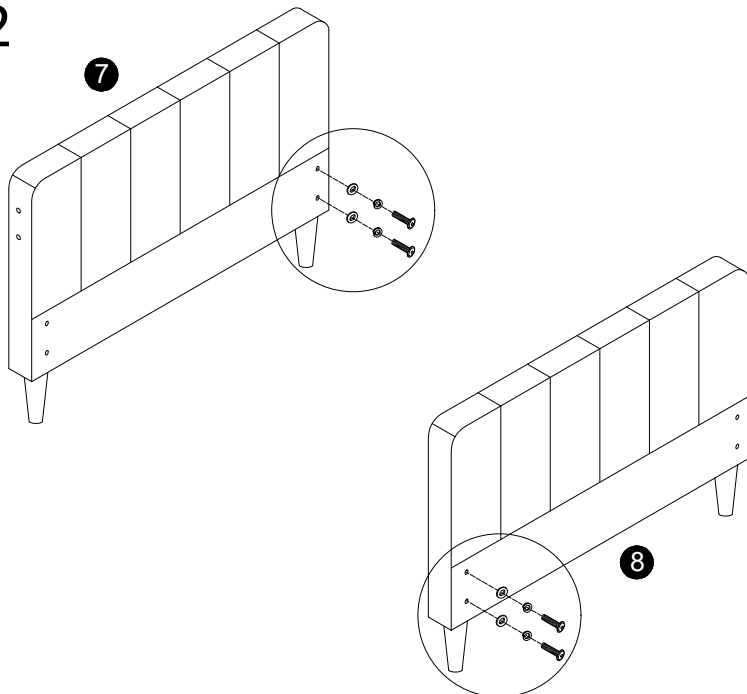


H5 M8 x 21pcs

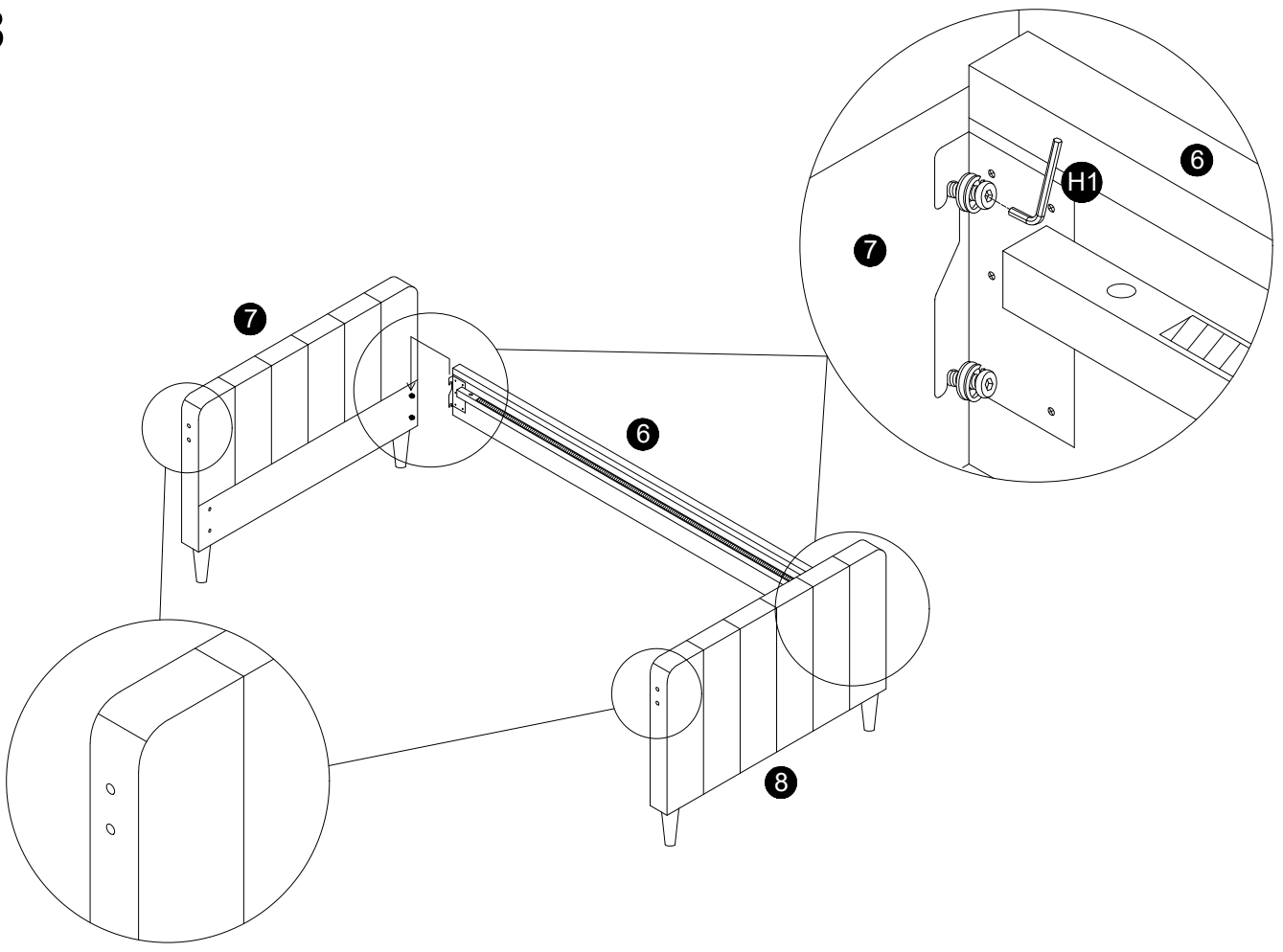
1



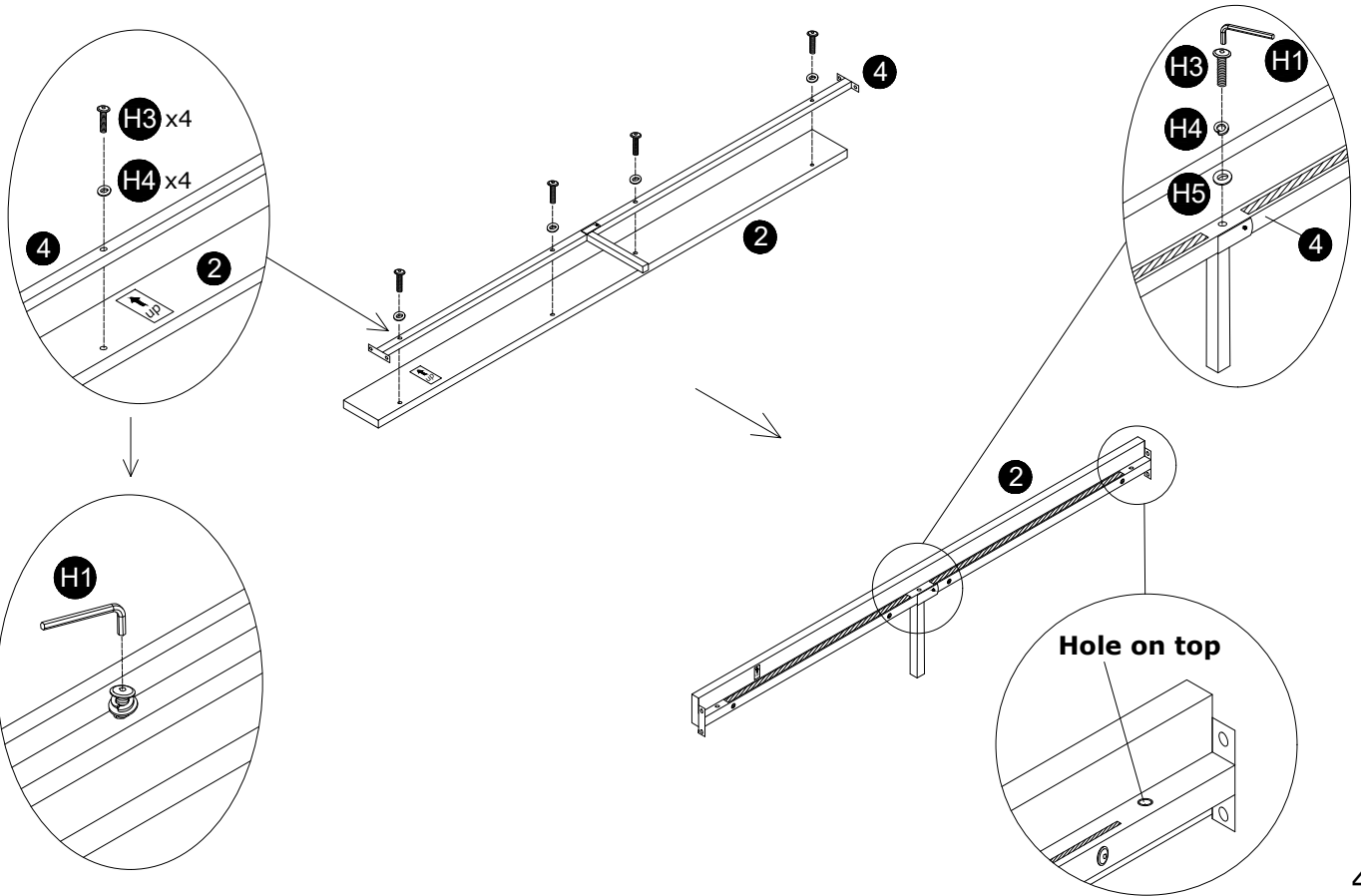
2



3

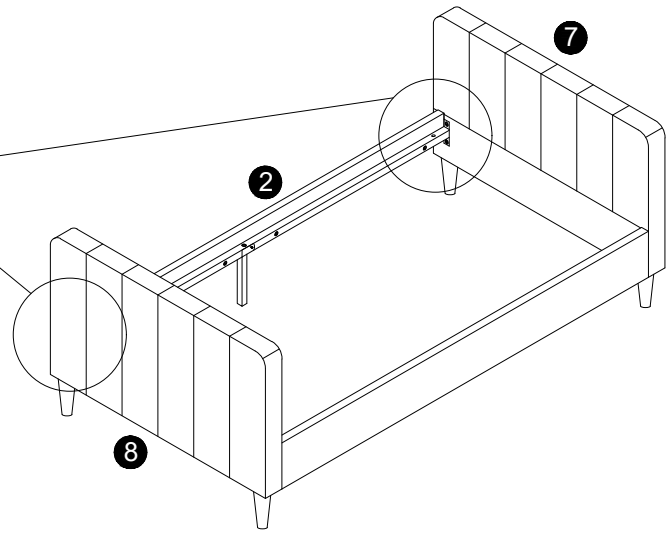
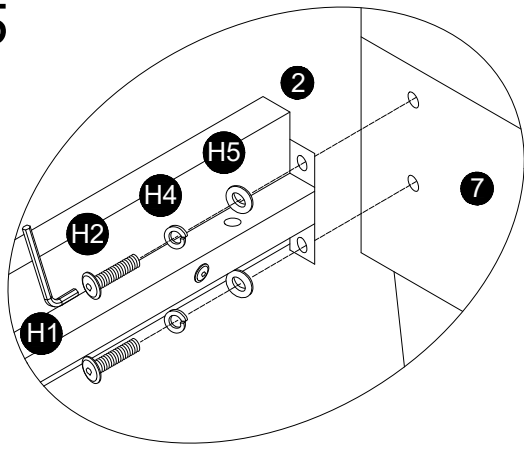


4

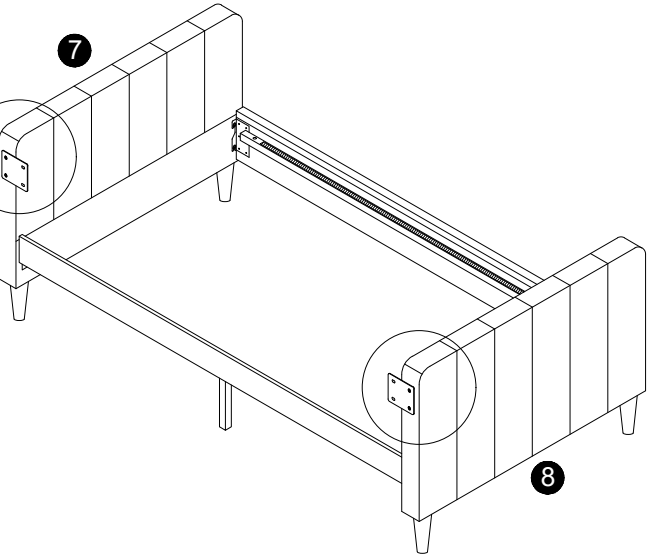
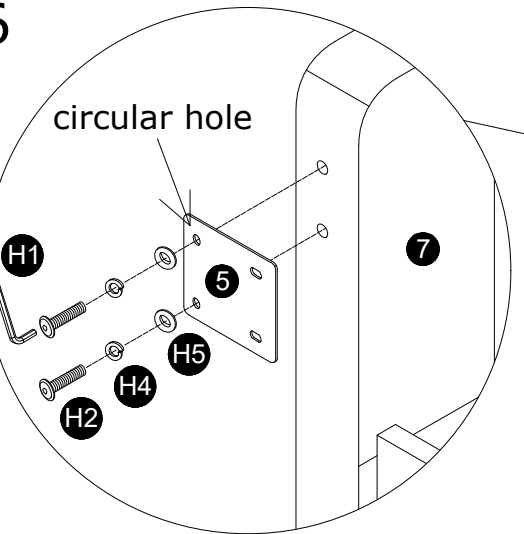


4

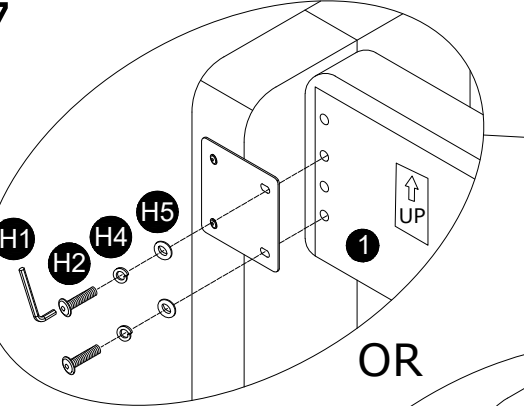
5



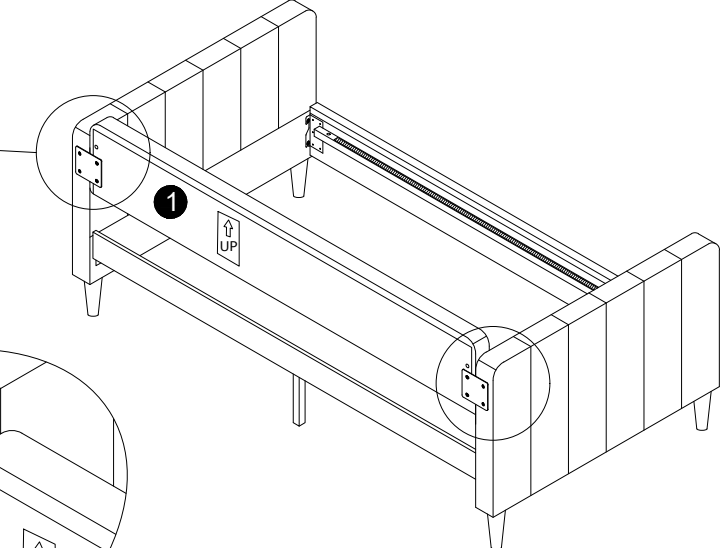
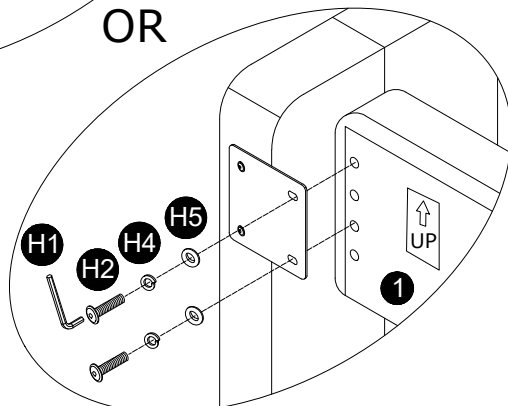
6



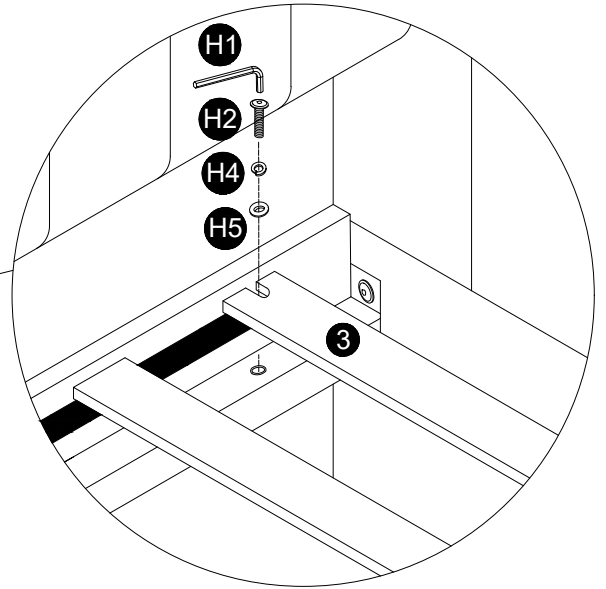
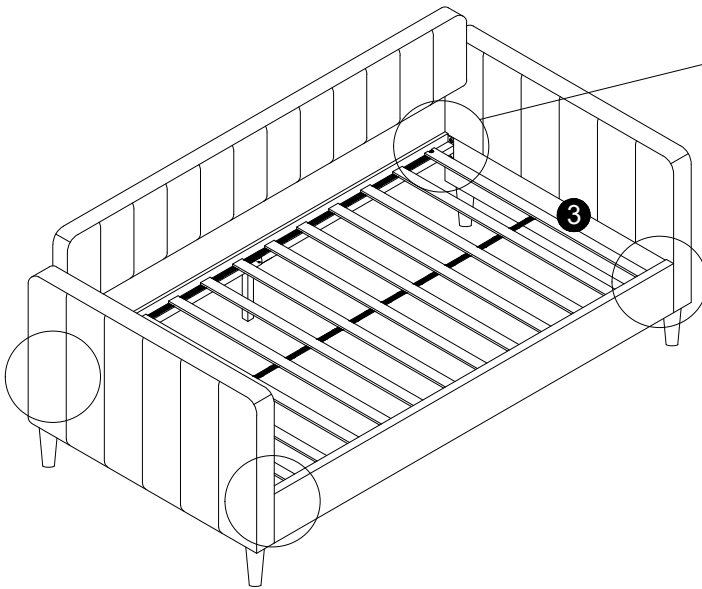
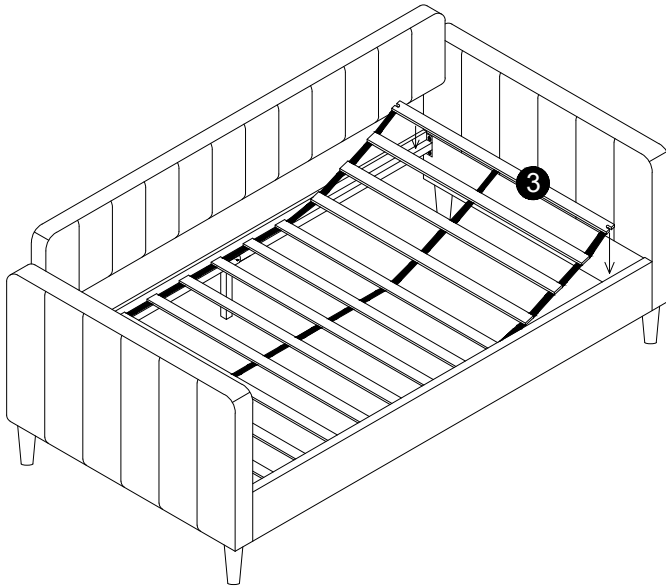
7



OR



8



Job Complete !

In the interest of our environment please dispose of all packaging thoughtfully.