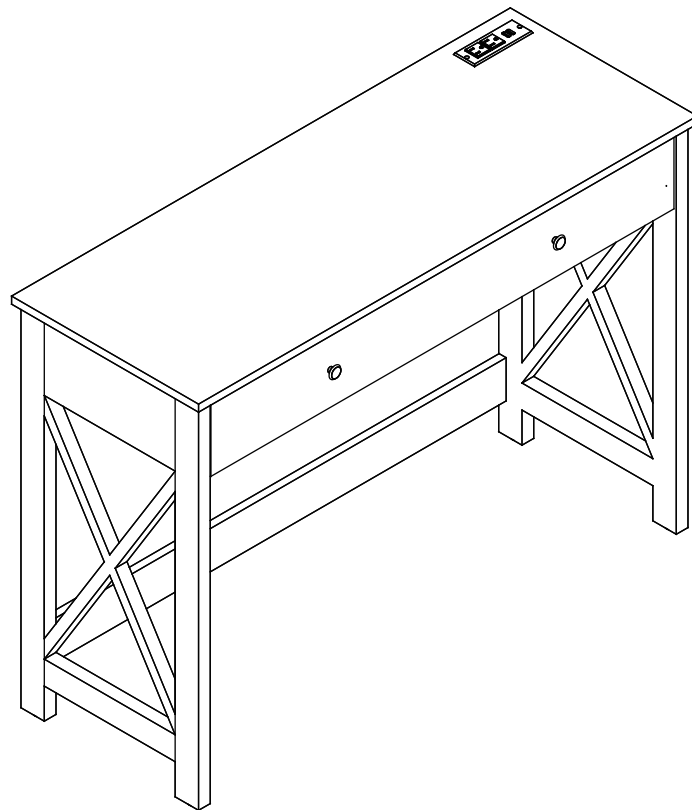




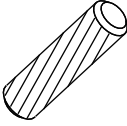


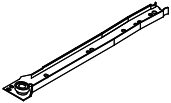
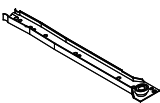
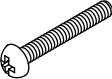
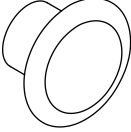

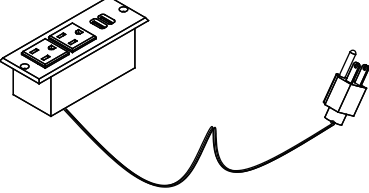

42" DESK W/ USB



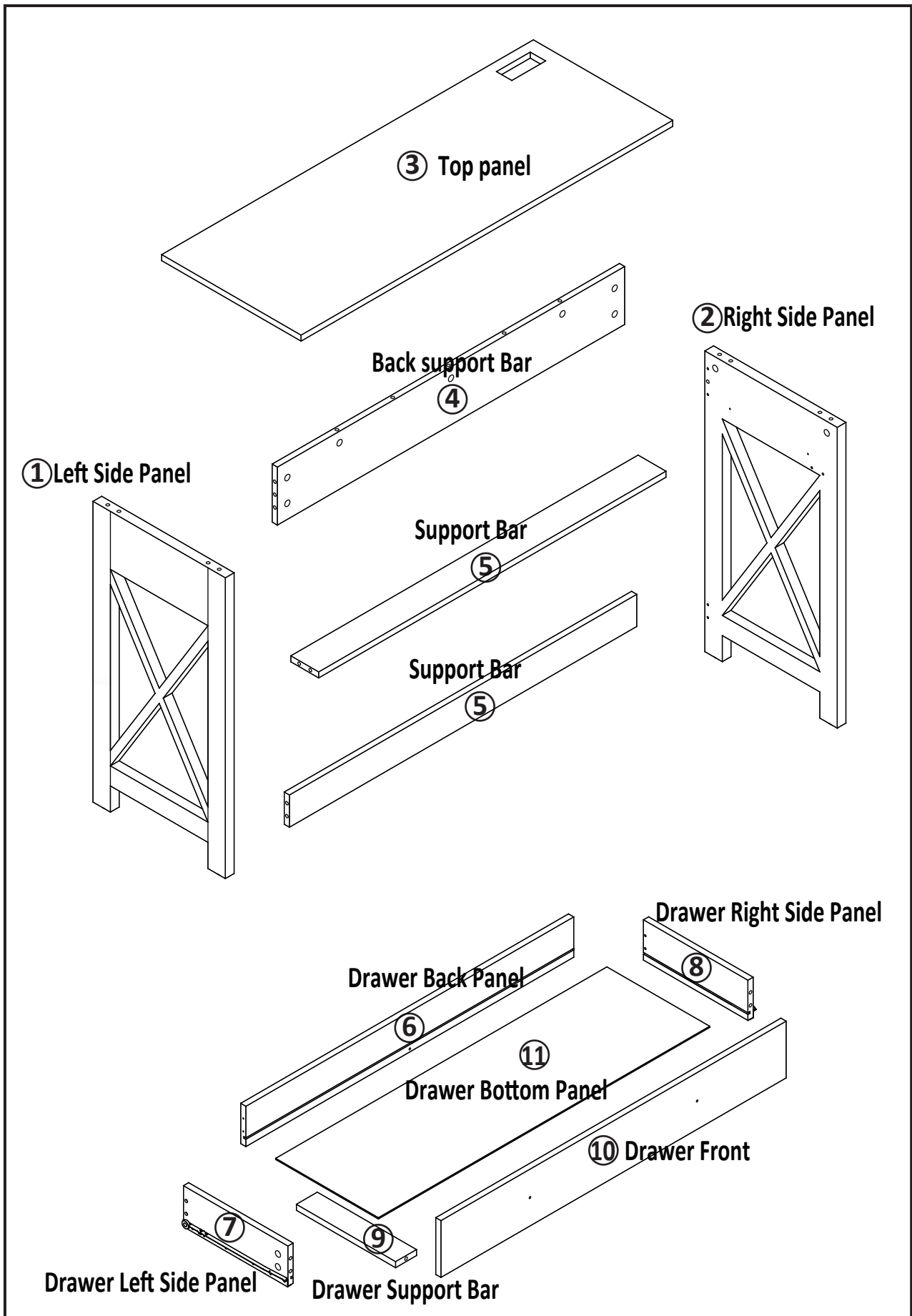
ASSEMBLY INSTRUCTIONS

We have designed our furniture with you , the customer in mind . Our clear , easy to follow , step by step instructions will guide you through the project from start to finish . Feel confident that this will be a fun and rewarding project . The final product will be a quality piece of furniture that will go together smoothly and give years of enjoyment .

Hardware List

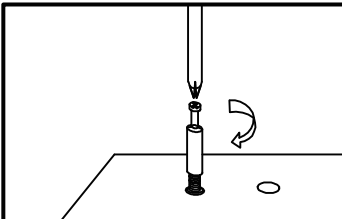
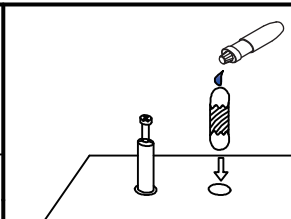
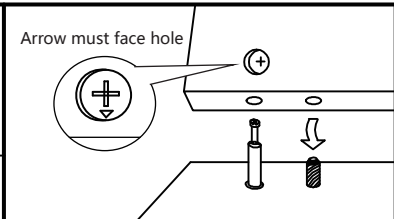
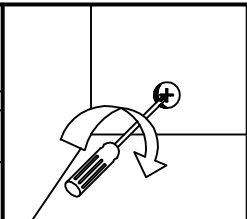
A 	B 	C 	D 	E 
Cam Bolt (24pcs)	Cam Lock (24pc)	Wood Dowel(8pcs)	Screw (5pc)	Small Screw (4pc) 3.5*12
F 	G 	H 	I 	J 
Left Glider (1pc)	Right Glider (1pc)	Handle Screw (2pcs)	Handle (2pc)	Small Screw (2pc) 3*14
K 		L 		
Socket Strip (1pc)		Glue (1pc)	Glue : For securing please apply to wood dowel first before inserting into panel .	

Panel List



Please count and verify all parts before assembly .

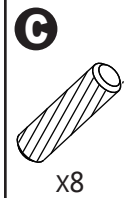
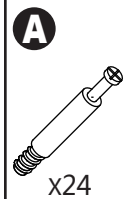
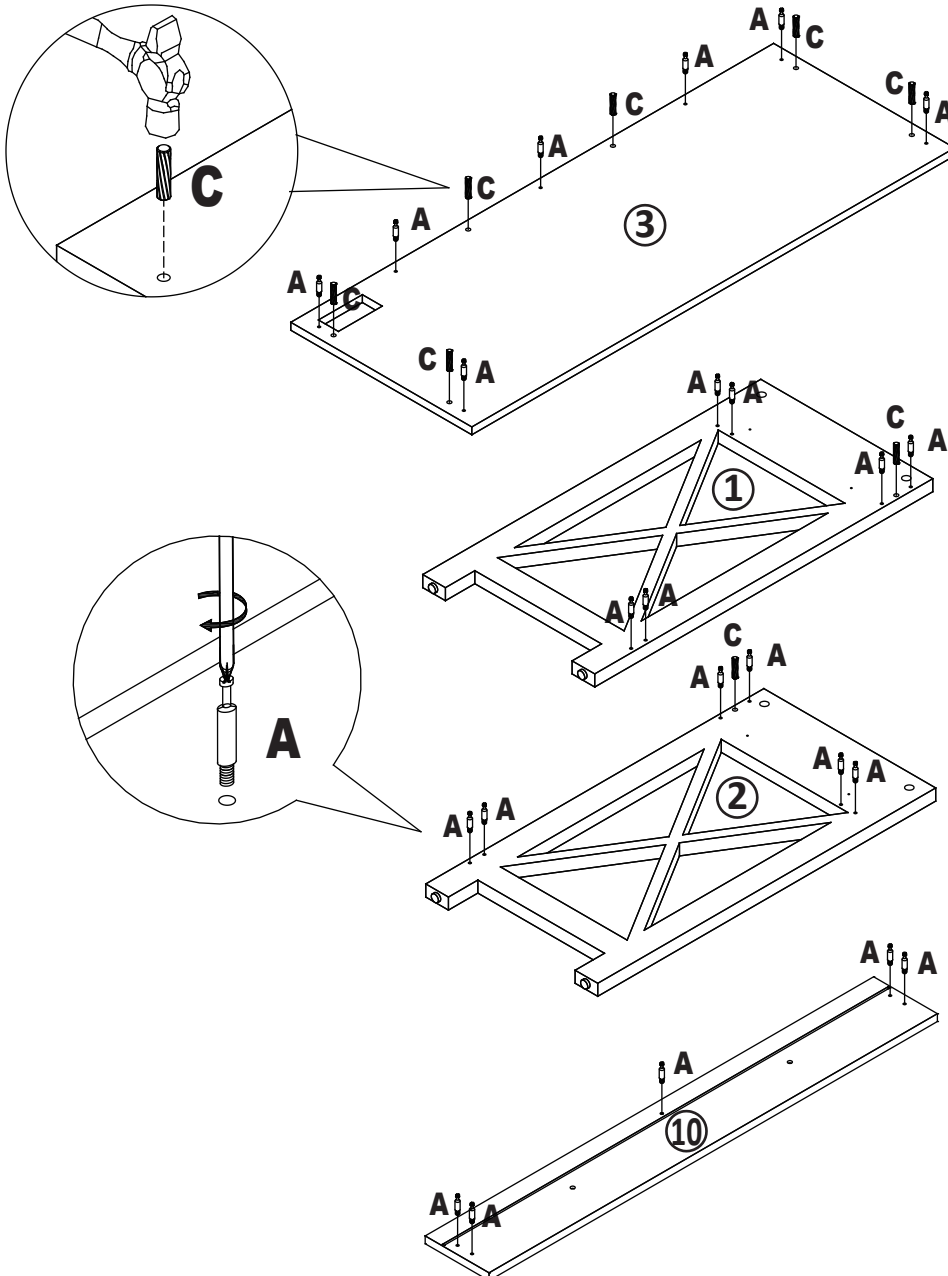
Assembling the unit with camlocks and wood dowels.

			
Gently screw cambolt into the threaded anchor.	Lightly glue one end of the wood dowel and tap halfway into hole.	Lightly glue wood dowel and connect to second panel by inserting dowels into holes.	Screw the camlock firmly into locked position.

Step 1

***Assemble unit on carpet or flat surface.**

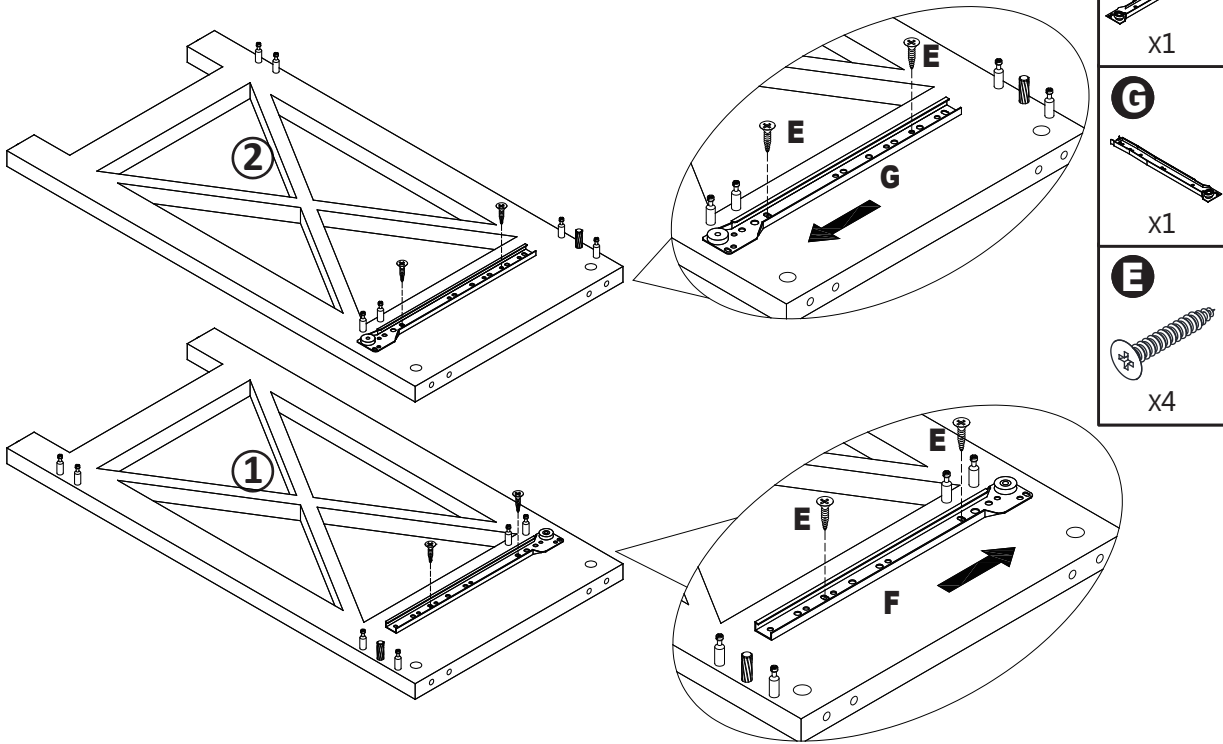
1. Screw Cambolts (A) into Top Panel (3), Left Side Panel (1) and Right Side Panel (2) and Drawer Front (10) as shown.
2. Insert Wood Dowels into Top Panel (3), Left Side Panel (1), Right Side Panel (2).



Step 2

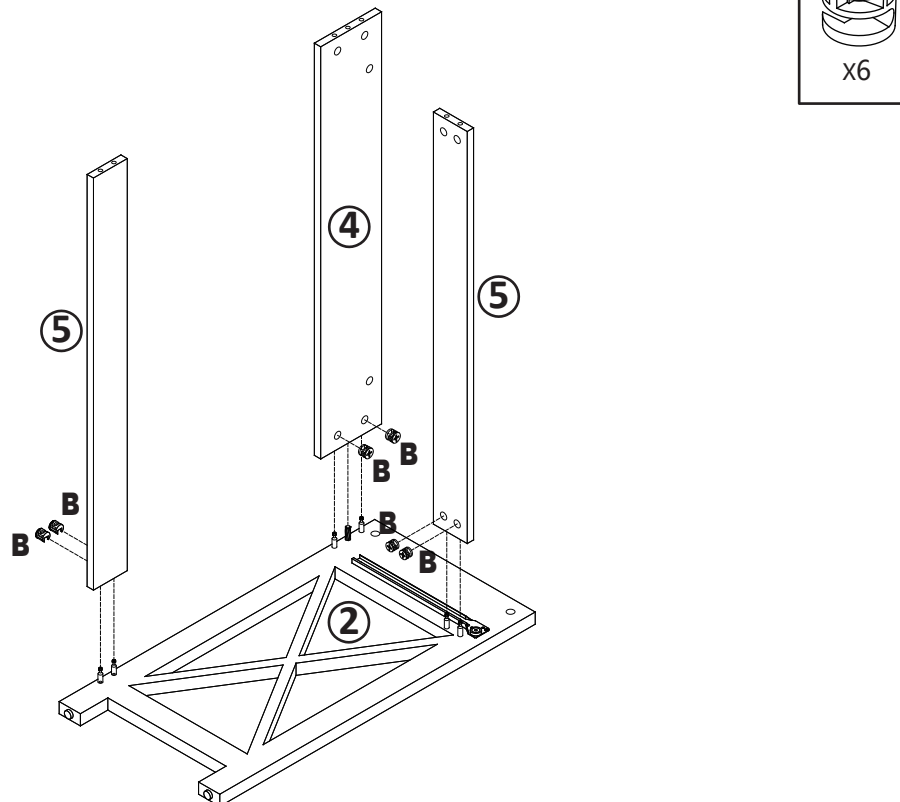
*Assemble unit on carpet or flat surface.

1. Attach Left Glider (F) to left side panel ① using screw (E) .
2. Attach Right Glider (G) to right side panel ② using screw (E) .



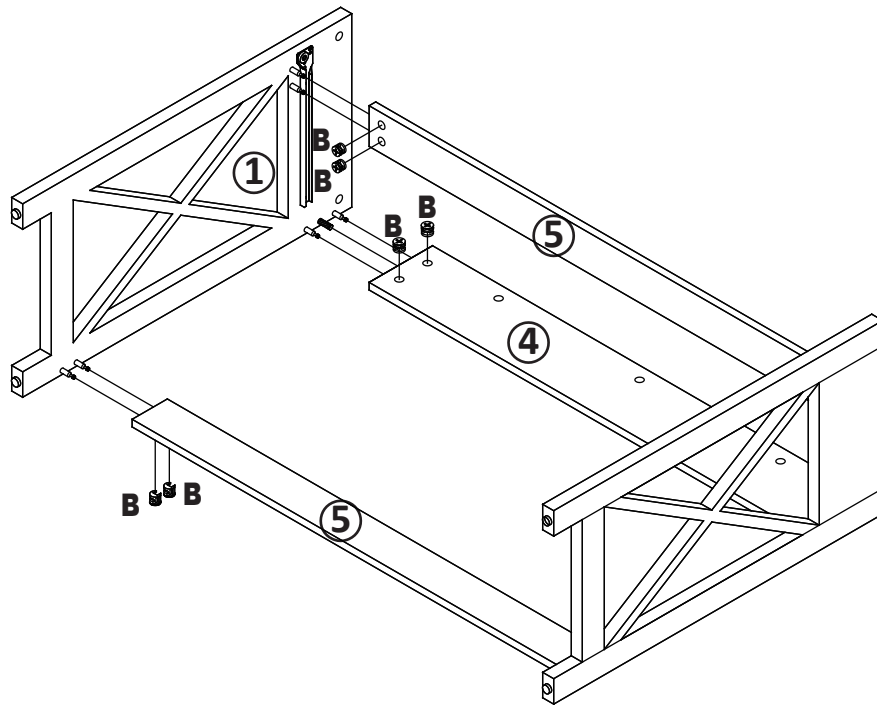
Step 3

1. Connect Back Support Bar ④ and 2 Support Bar ⑤ to Right Side Panel ② using Camlocks(B)



Step 4

1. Repeat step 2 connect Back Support Bar (4) and 2 Support Bar (5) to Left Side Panel (1) using Camlocks(B) .



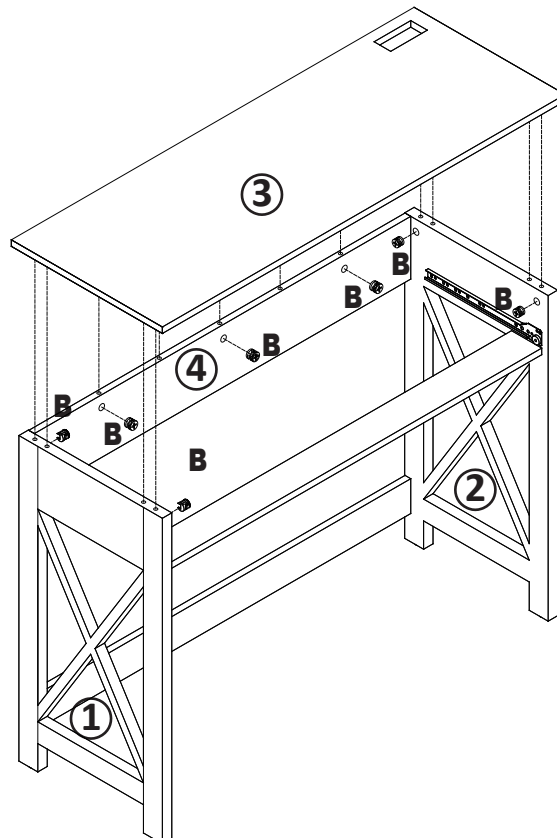
B



x6

Step 5

1. Attach top panel (3) to back support bar (4) and side panels (1) & (2) using Camlocks(B).



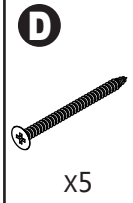
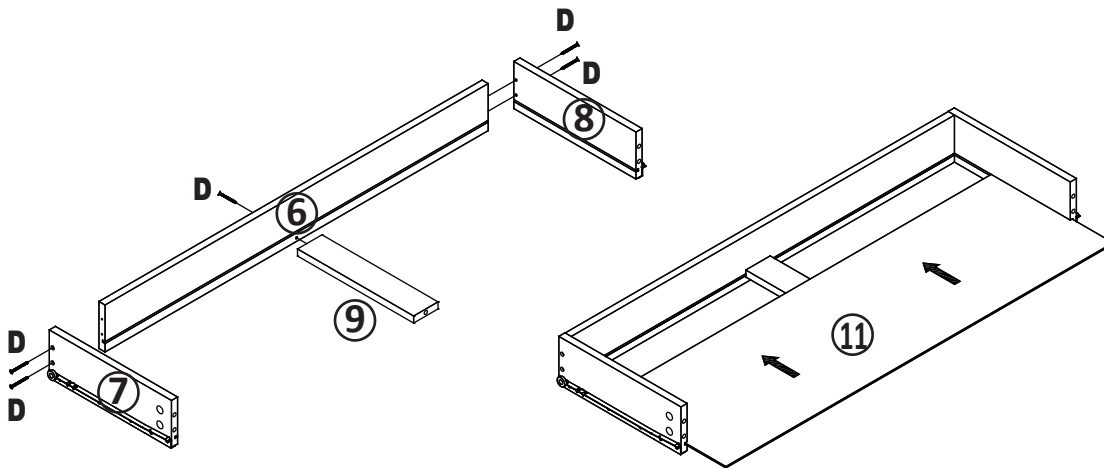
B



x7

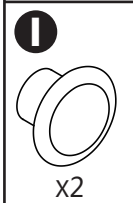
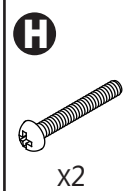
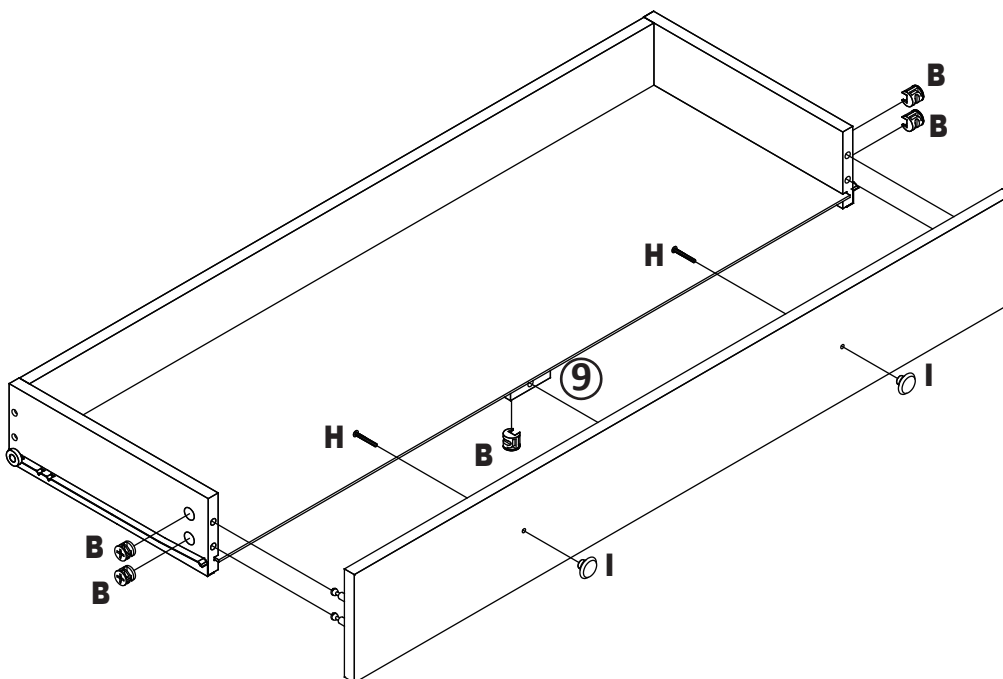
Step 6

1. Attach Drawer Side Panels (7) & (8) and Drawer Support bar (9) to Drawer Back Panel (6) using Screws (D).
2. Insert Drawer Bottom Panel (11) into grooves of drawer assembly.



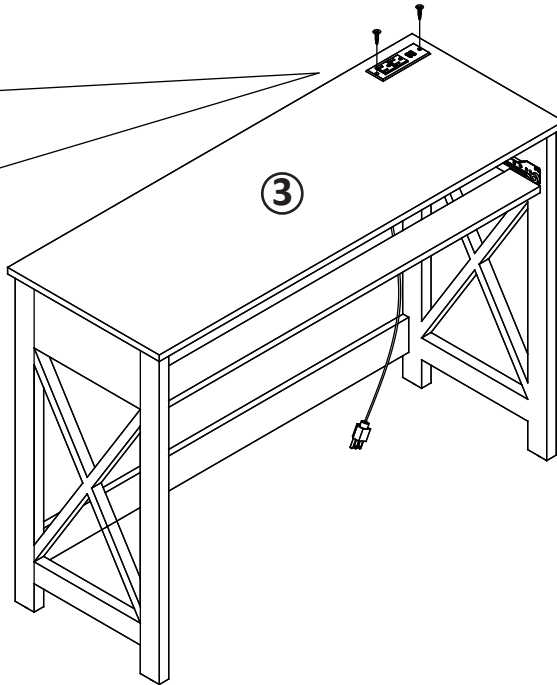
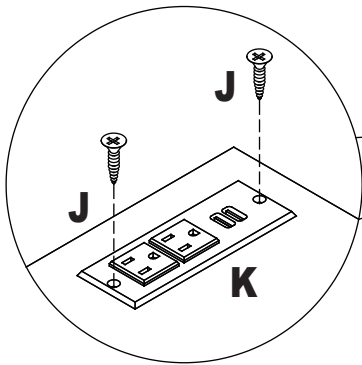
Step 7

1. Connect Drawer Front (10) to assembly by using Camlocks (B)
2. Attach Handles (I) to Drawer Front (10) by using Screws (H).



Step 8

1. Attach Socket Strip (K) to Top Panel ③ using small Screws (J) as shown.

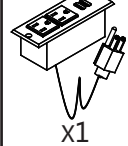


J



x2

K



x1

Step 9

1. Carefully insert drawer into unit.
2. Enjoy.

