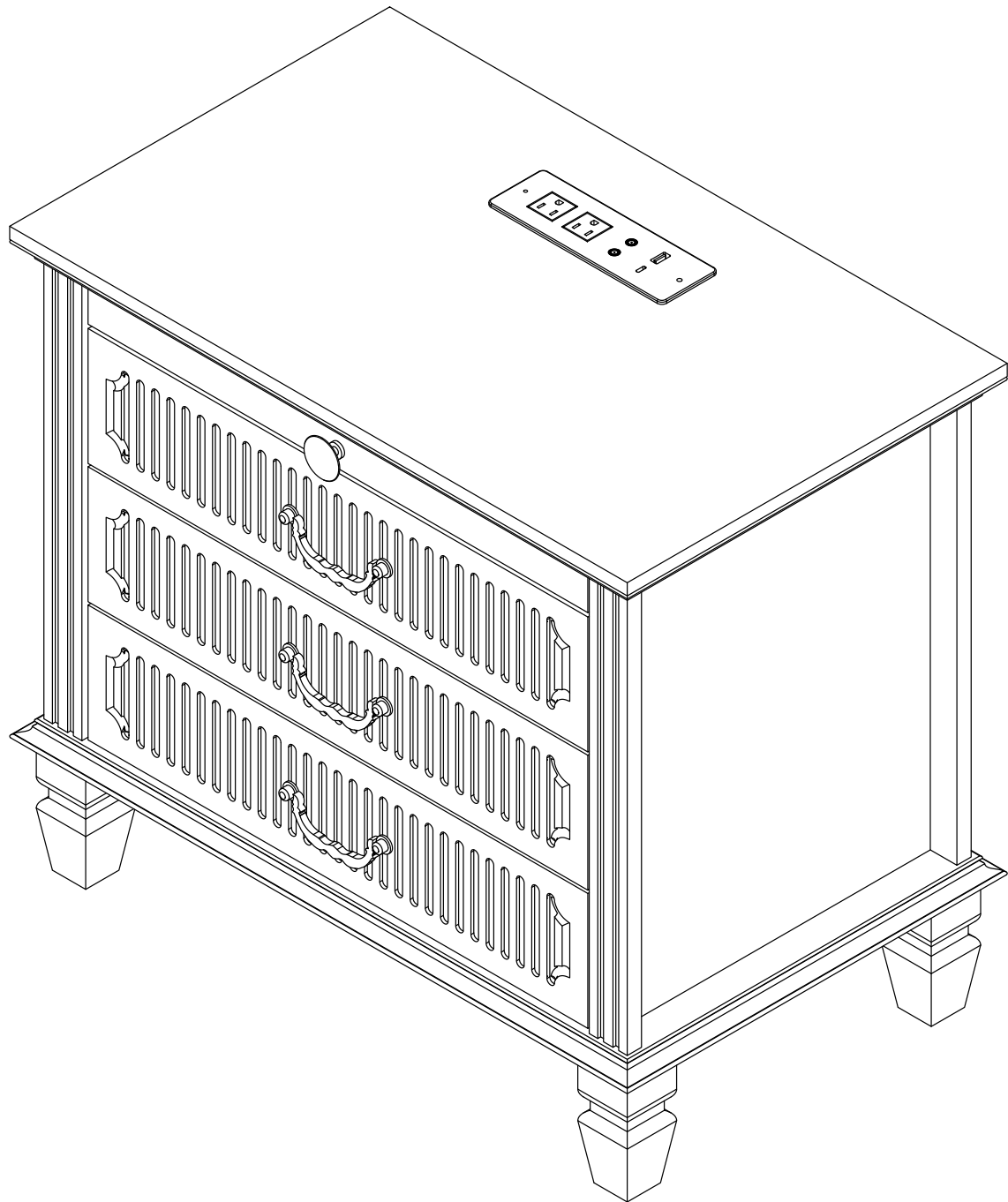
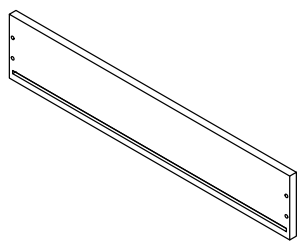
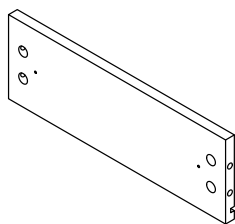


Product Installation Instructions

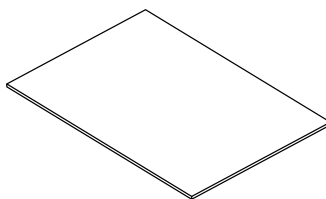




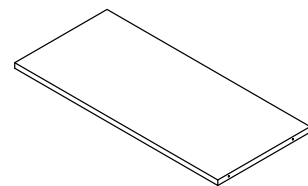
A x3



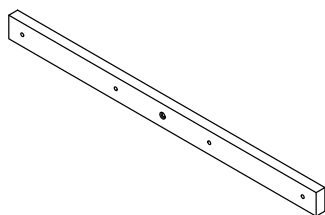
B x6



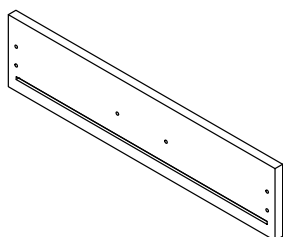
C x3



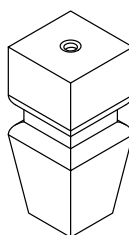
D x1



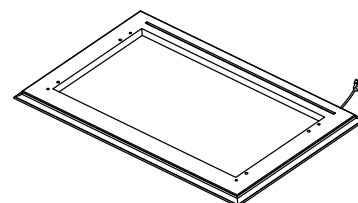
E x1



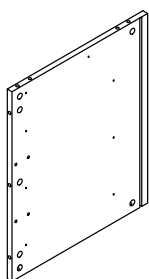
F x3



G x4



H x1



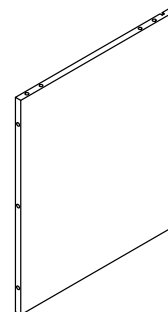
I x1



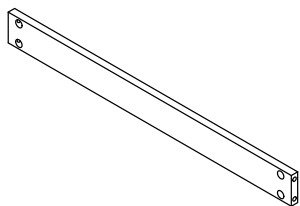
J x2



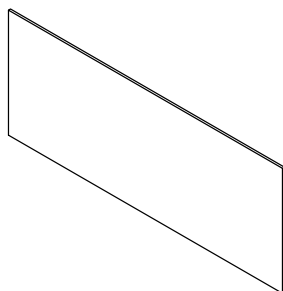
K x2



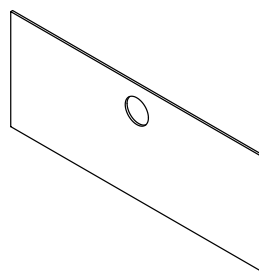
L x1



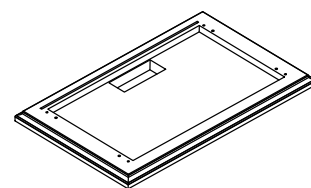
M x2



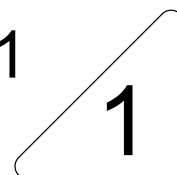
N x1



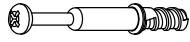



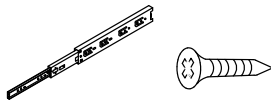
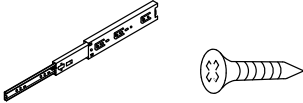





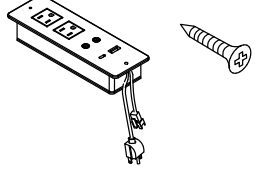
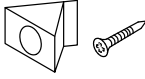
O x1

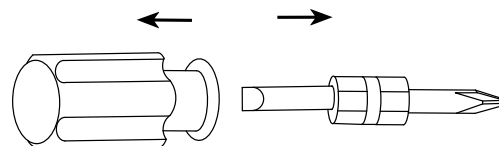
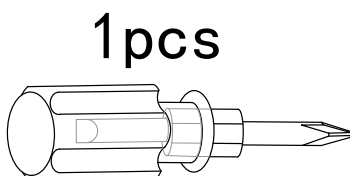


P x1

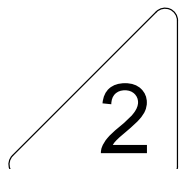


Accessories list

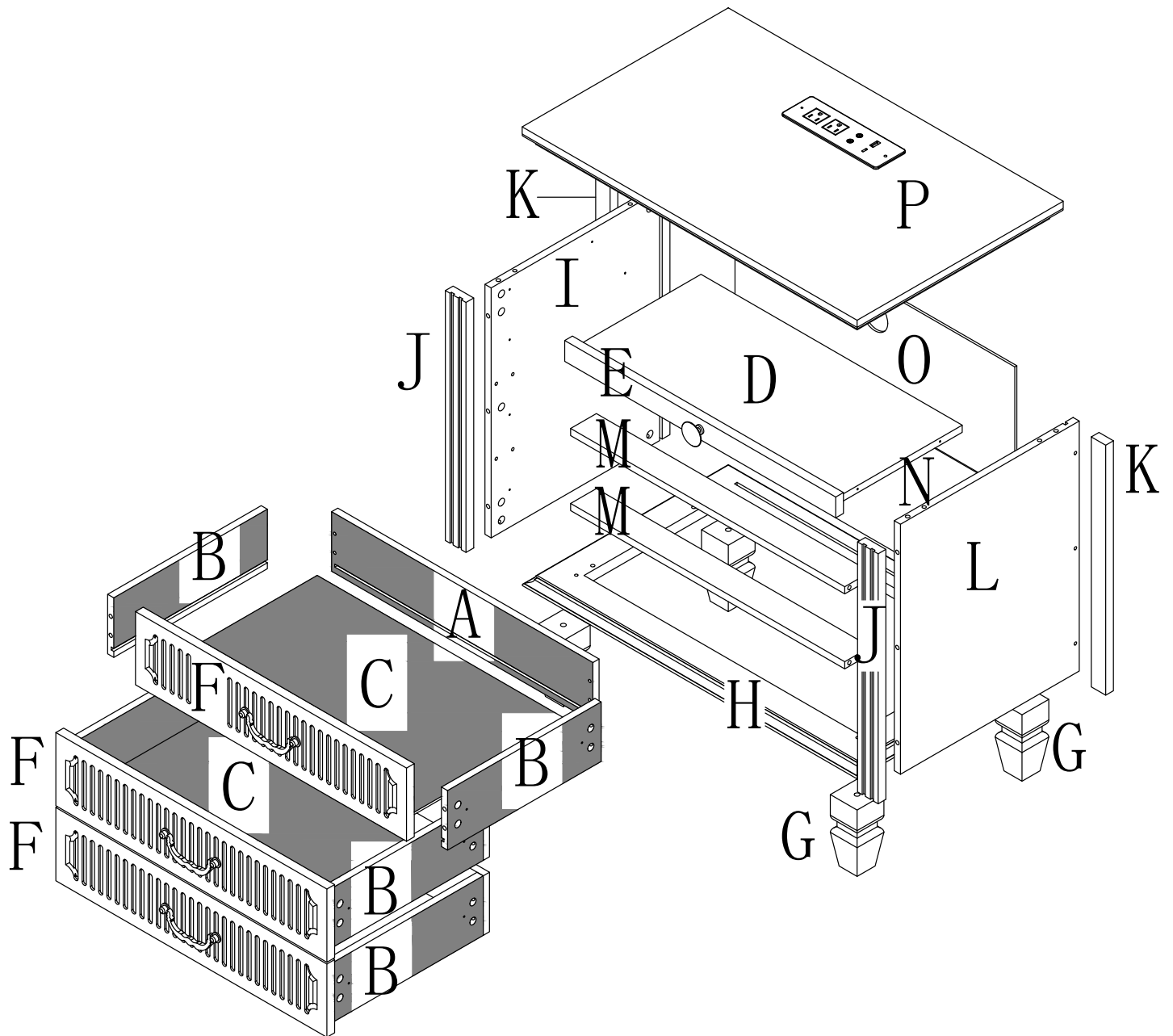
①		Two In One Screw (6x28mm)	50pcs +4pcs
②		Two In One Nut (10x12mm)	50pcs +4pcs
③		Wood Chipping (6x30mm)	8pcs +2pcs
④		Handle & Screw (4x18mm)	3pcs / 6pcs +1pcs
⑤		Screw & Guide (3x12mm) (29mm)	6pcs / 30pcs +6pcs
⑥		Screw & Guide (3x12mm) (24mm)	2pcs / 10pcs +2pcs
⑦		Handle & Screw (4x16mm)	1pcs / 1pcs
⑧		Non-slip pads 35*35*2	4pcs +2pcs
⑨		Screw (6x33mm)	4pcs
⑩		Non-slip pads φ 15	4pcs +2pcs
⑪		Screw (4x25mm)	6pcs +1pcs
⑫		Power strip screw (3x10mm)	1pcs / 2pcs +1pcs
⑬		Fixing clip & screw (3x16mm)	8pcs +2pcs



Double-head screwdriver, use as required

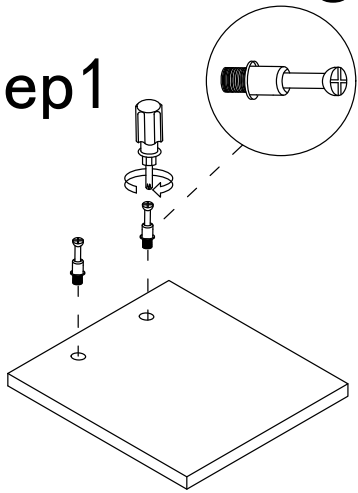


Product structure decomposition

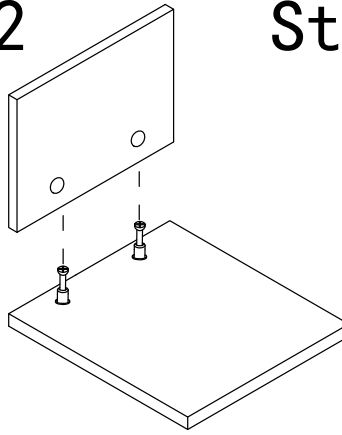


Use parts ① and ②

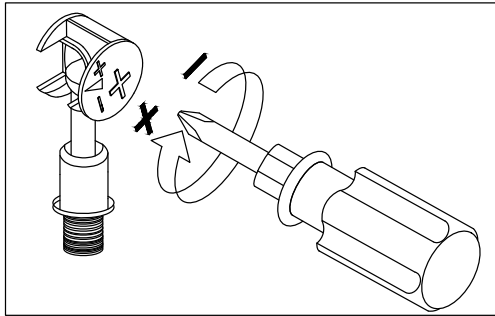
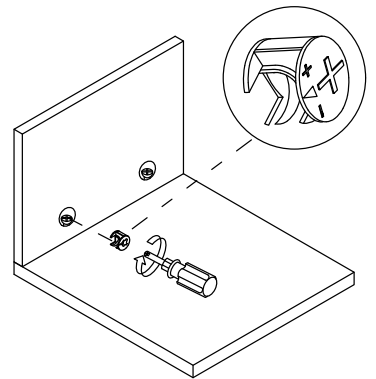
Step1



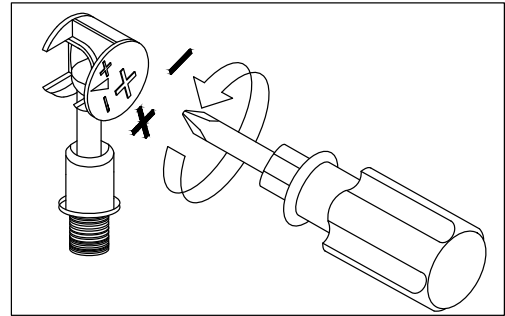
Step2



Step3

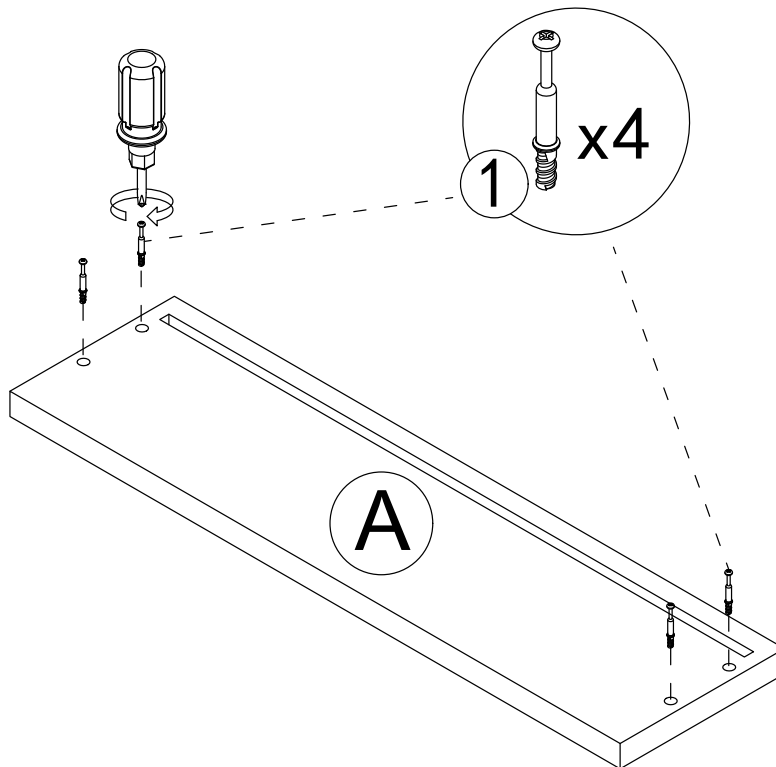
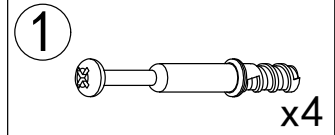


Use a screwdriver to lock in the direction of the "+" sign

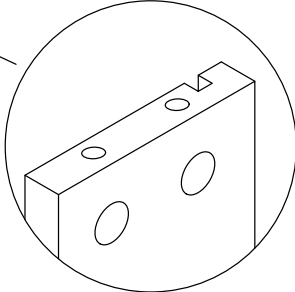
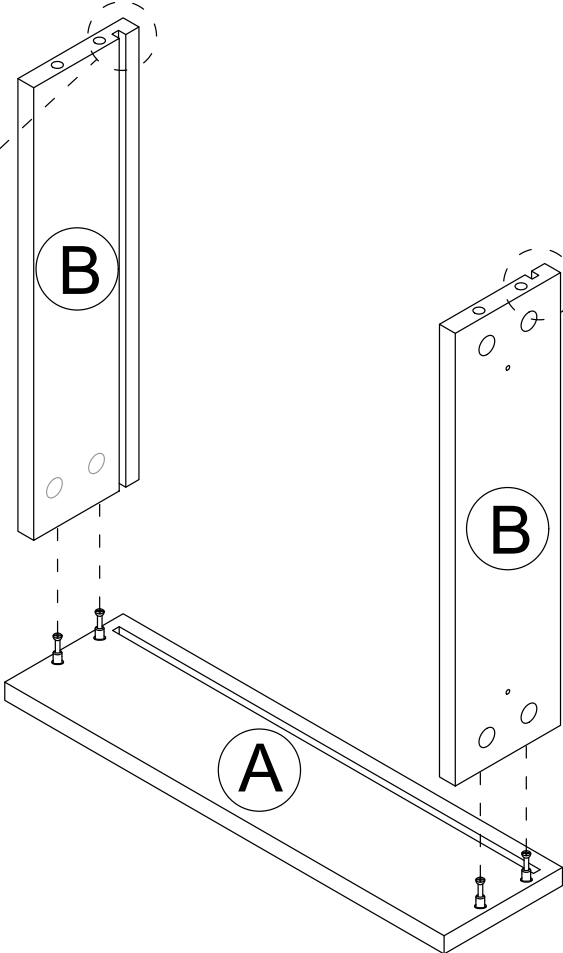
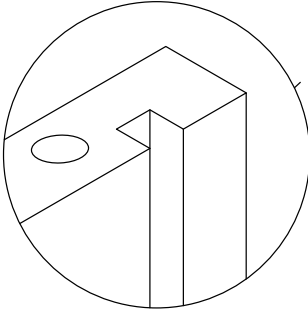


Disassemble along the direction of "-" sign


Step 1

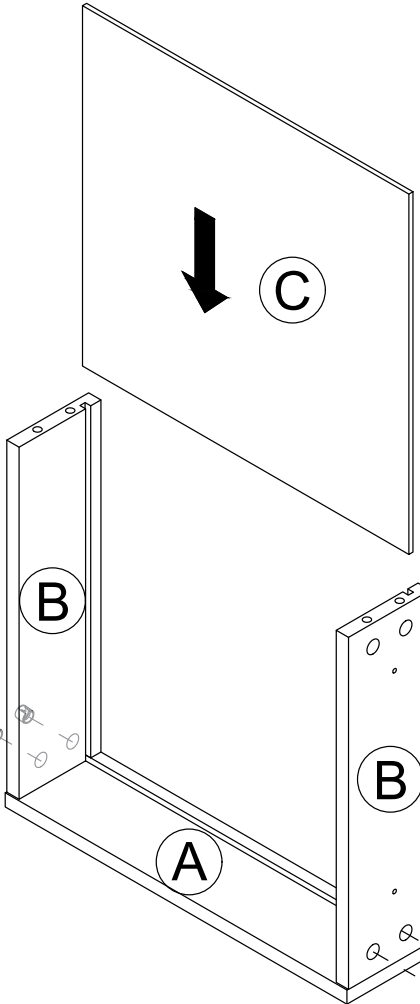



Step 2

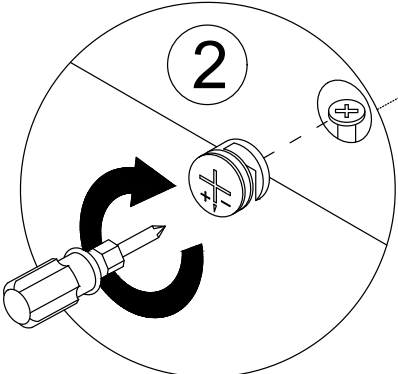


Step 3

2  x4

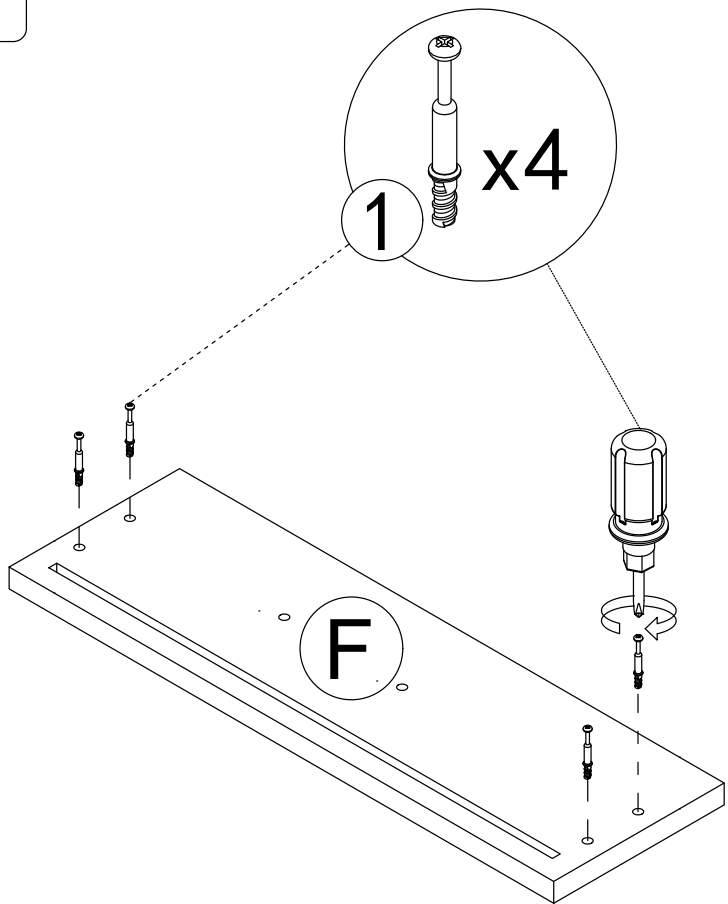
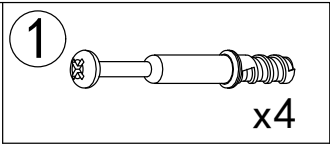


2  x4

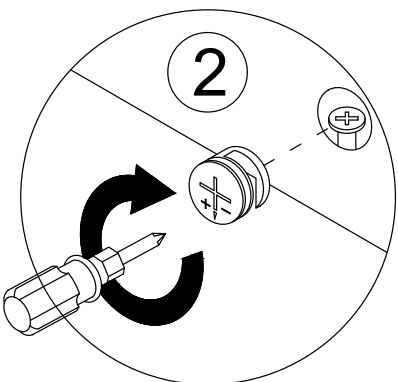
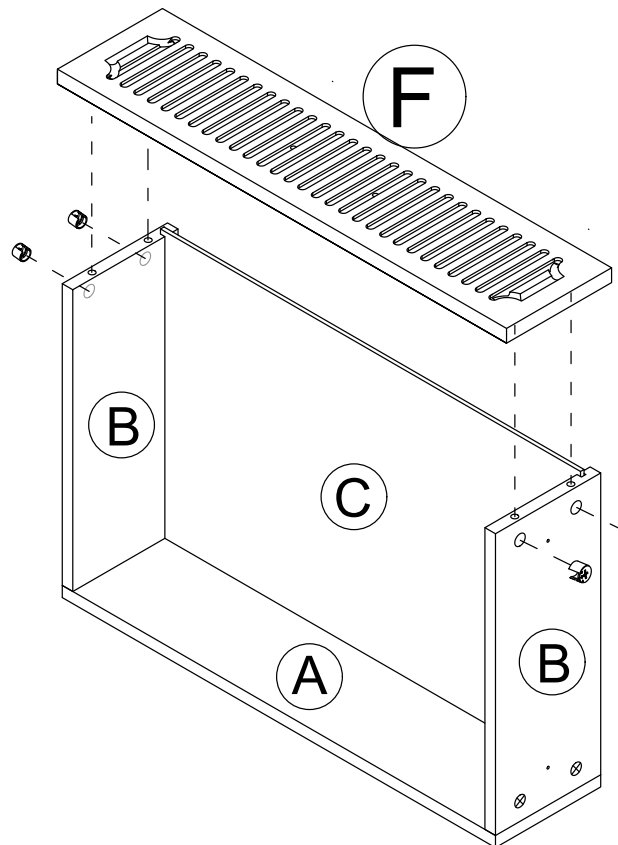
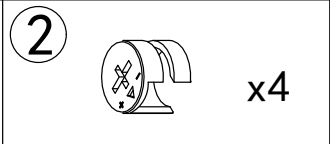


6

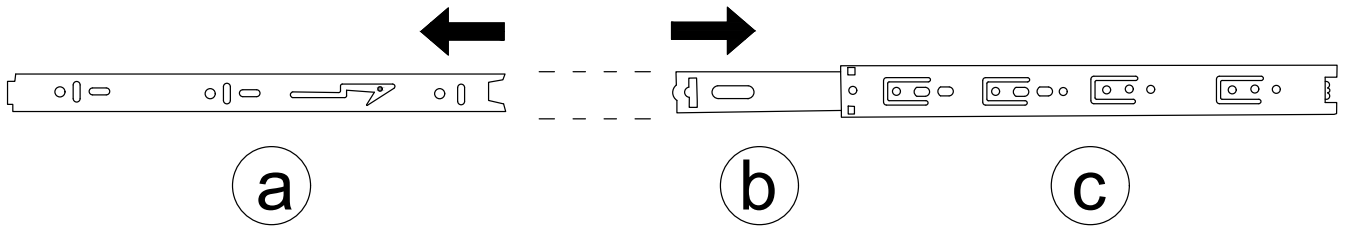
Step 4



Step 5

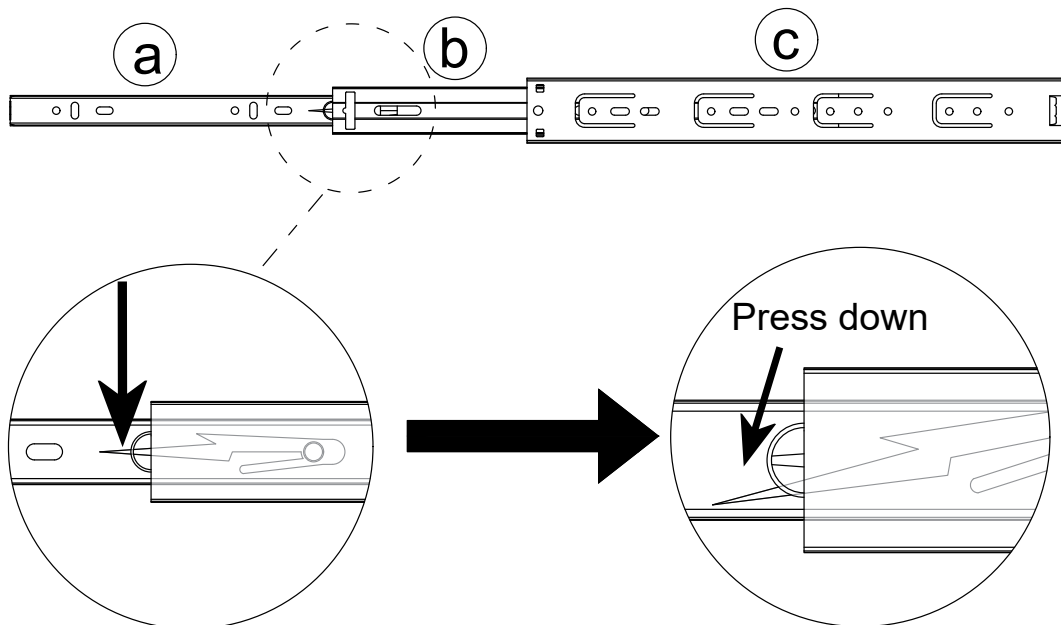


Use parts 5 Drawer rail breakdown diagram



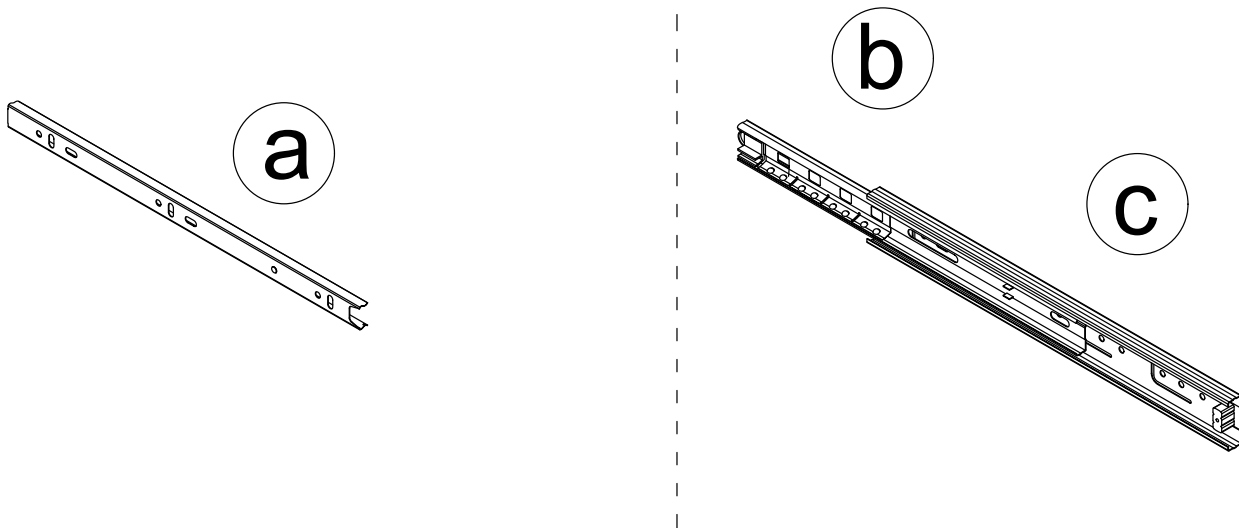
① Dismantle the schematic diagram

Step 1 : Pull the rails apart

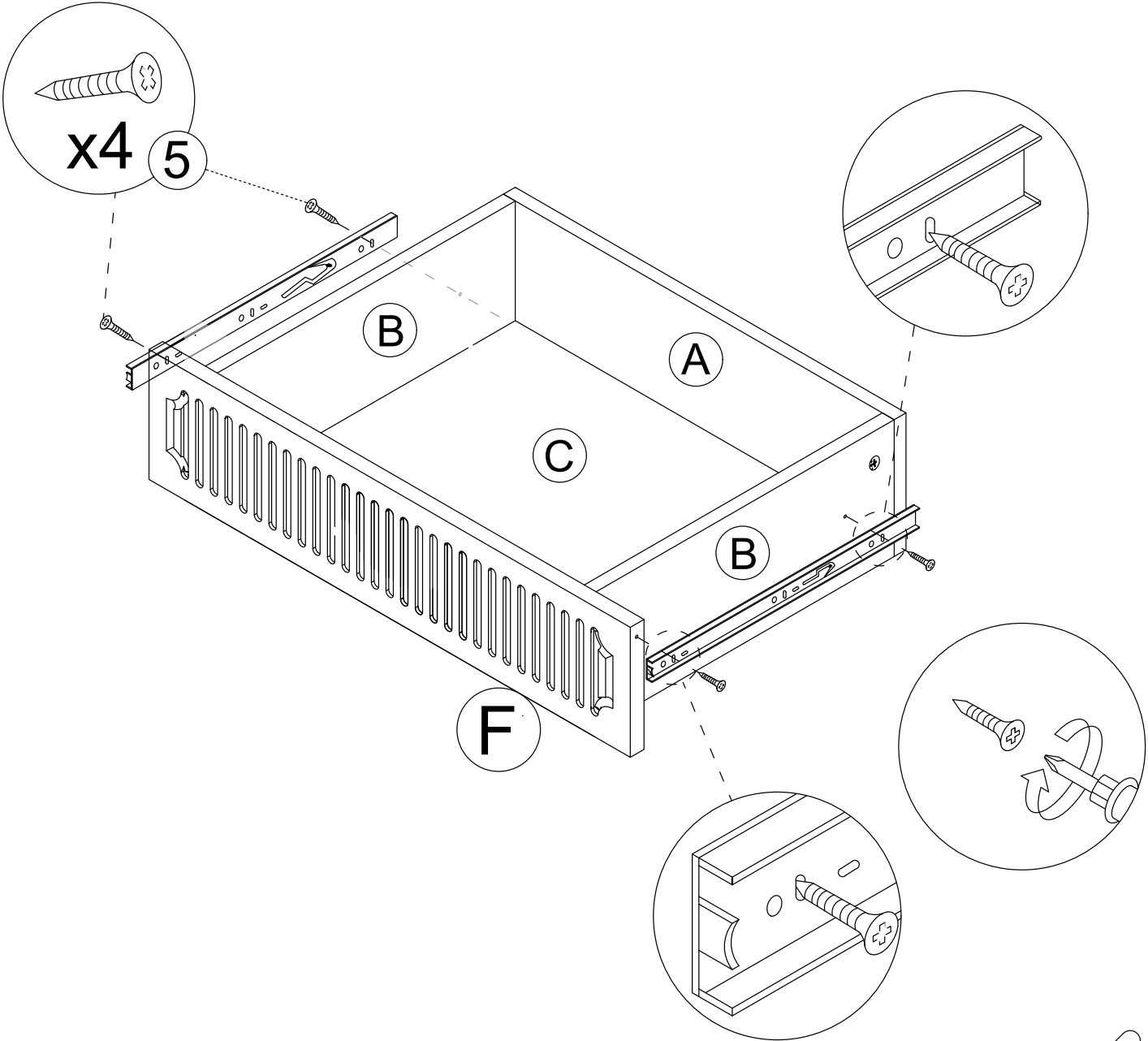
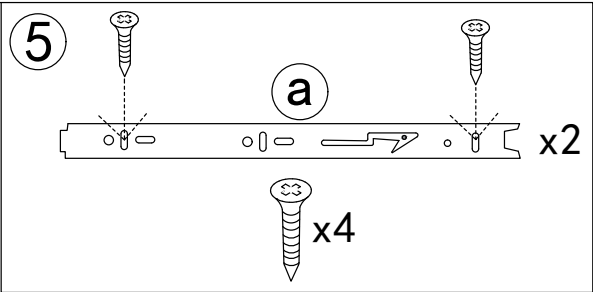


Step 2 : Press the nylon button and pull out ①.

Drawer rail decomposition completed schematic diagram



Step 6



Step 7

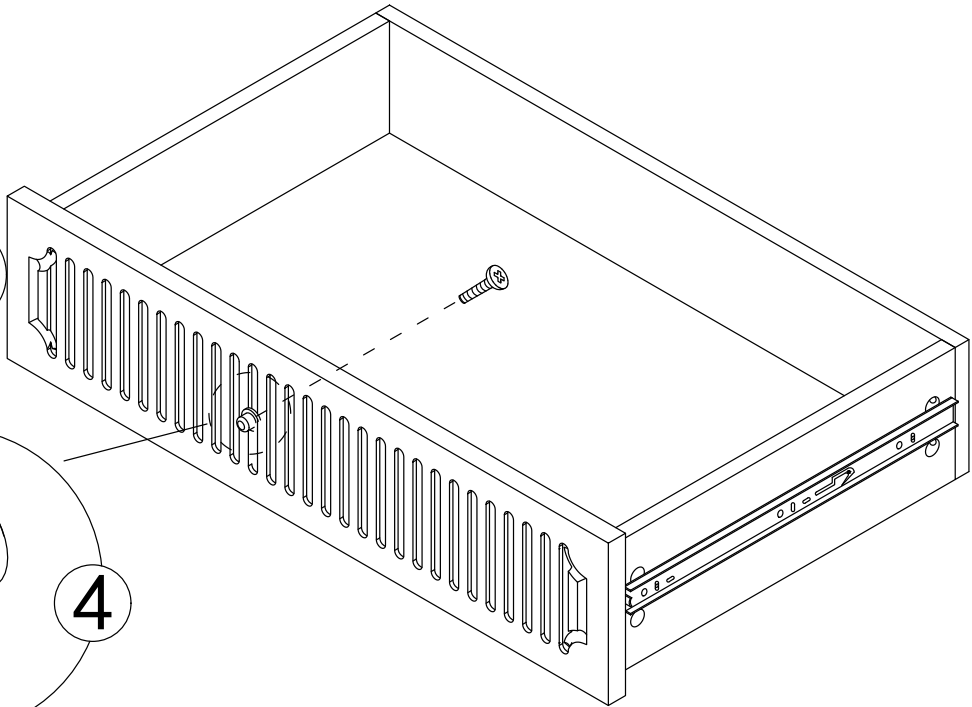
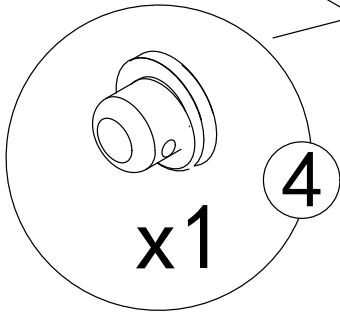
4



x1

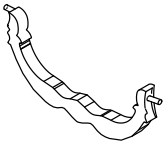
x1

F

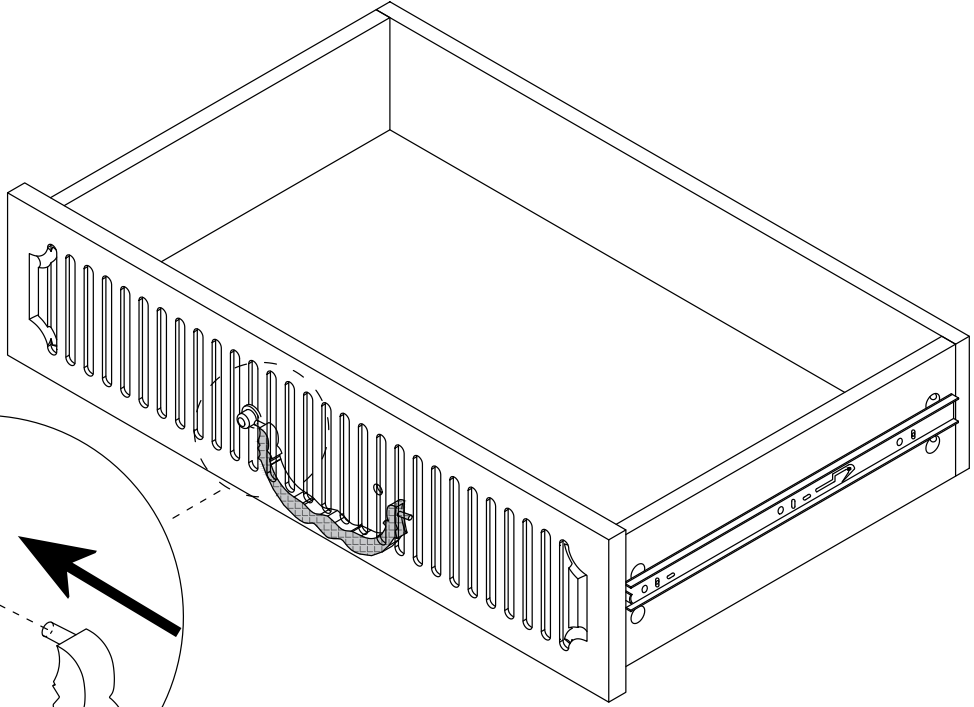
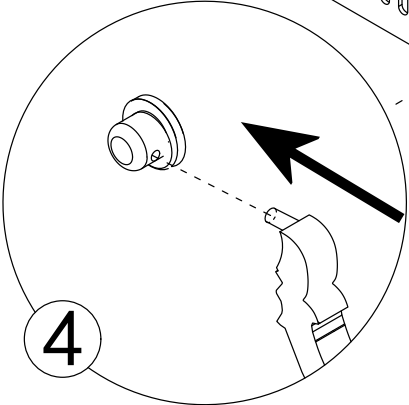


Step 8

4



x1



Step 9

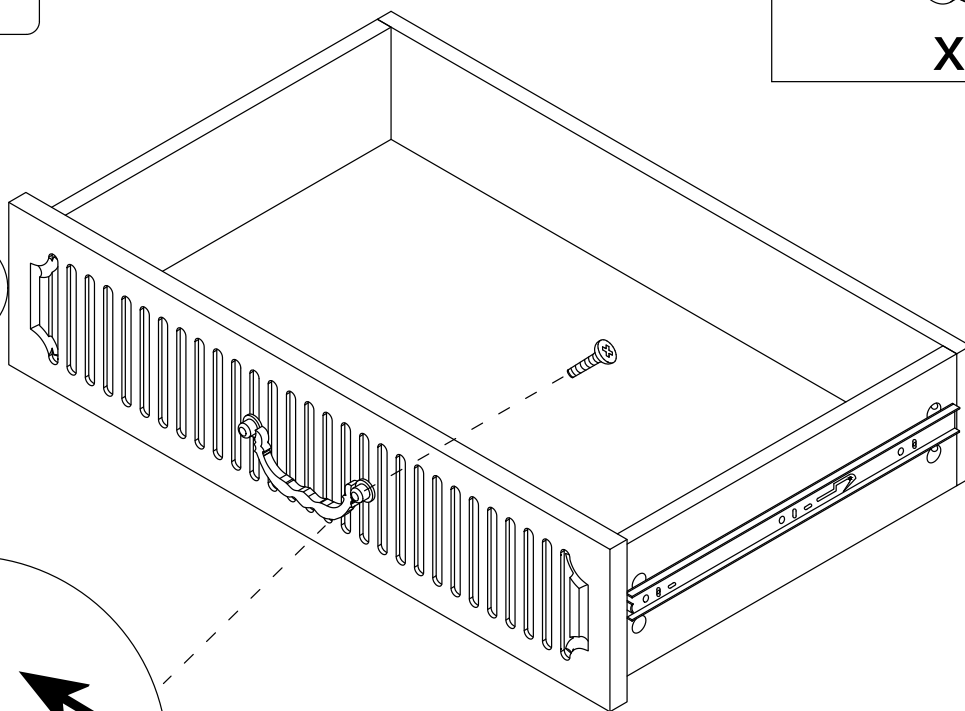
4



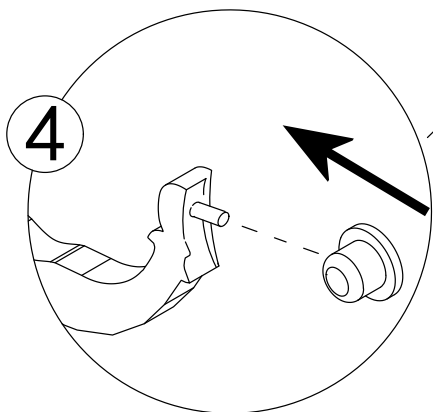
x1

x1

F

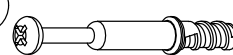


4



Step 10

1



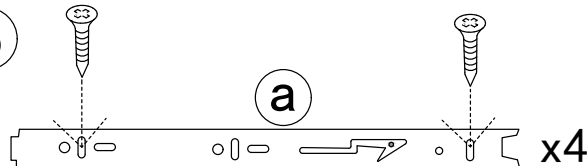
x16

2



x16

5

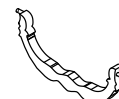


x8

4



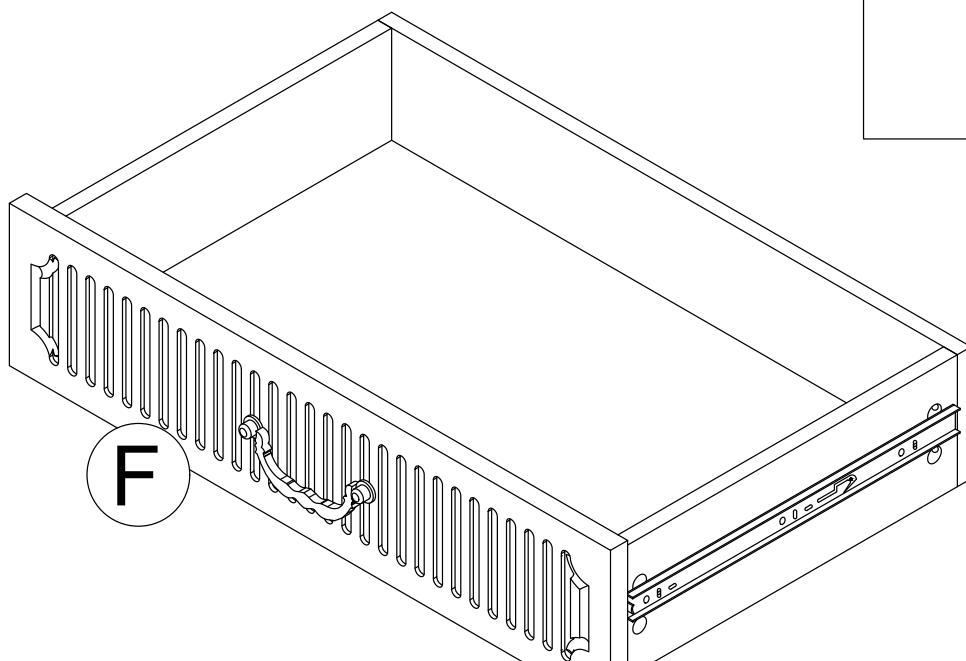
x4



x2



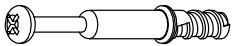


x4

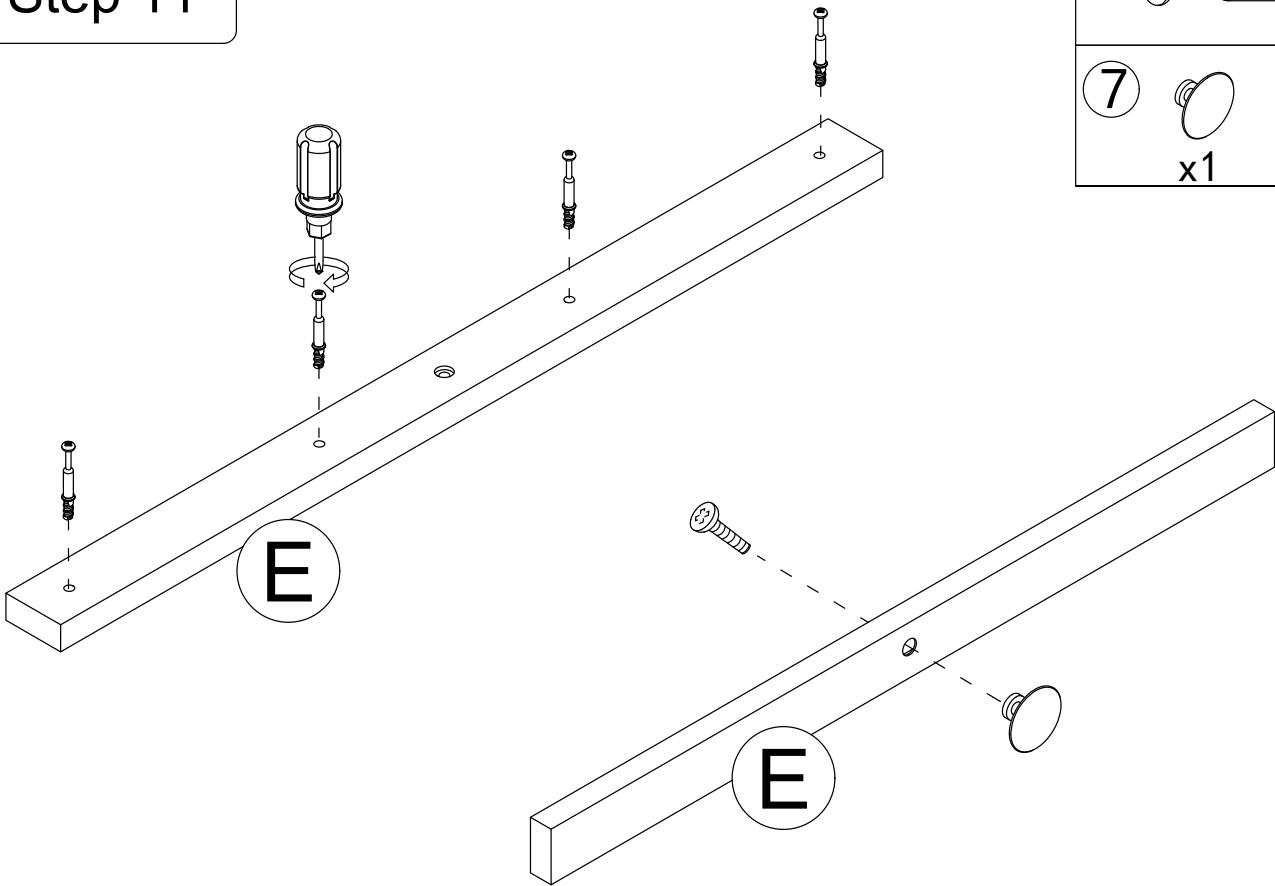


x2


Repeat the drawer installation steps

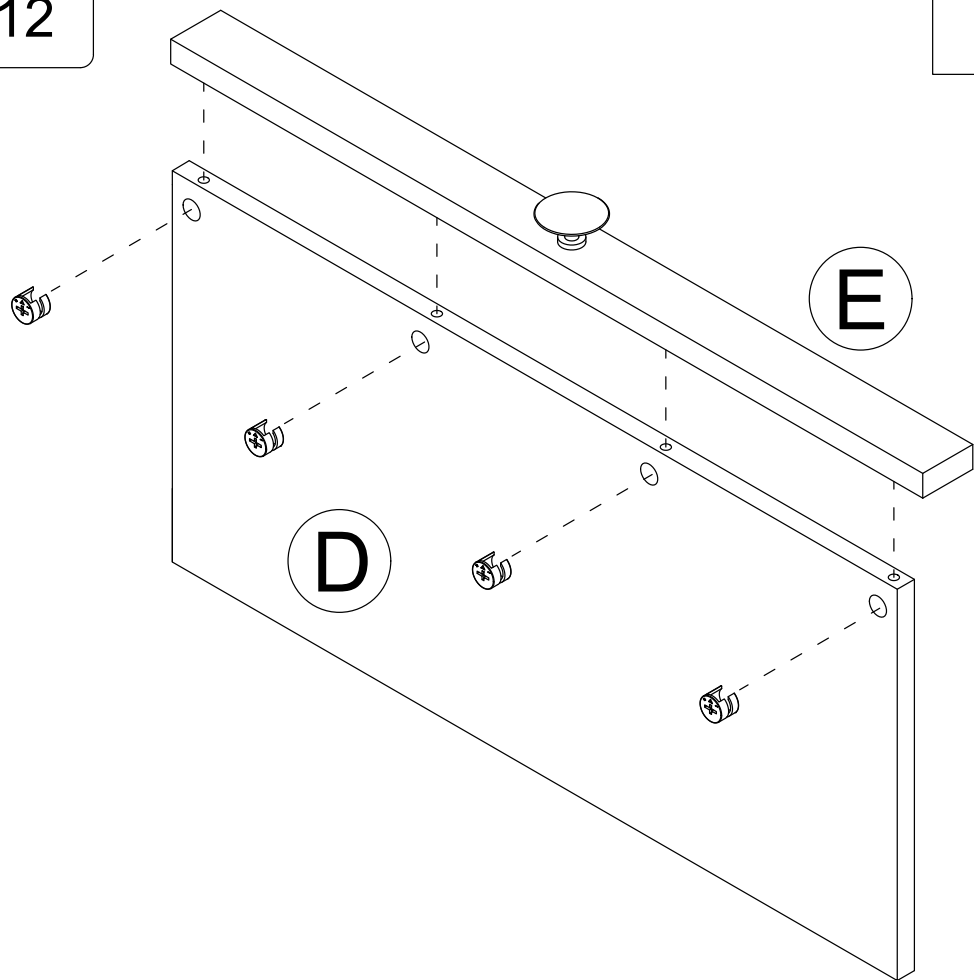
Step 11

- 1  x4
- 7  x1  x1



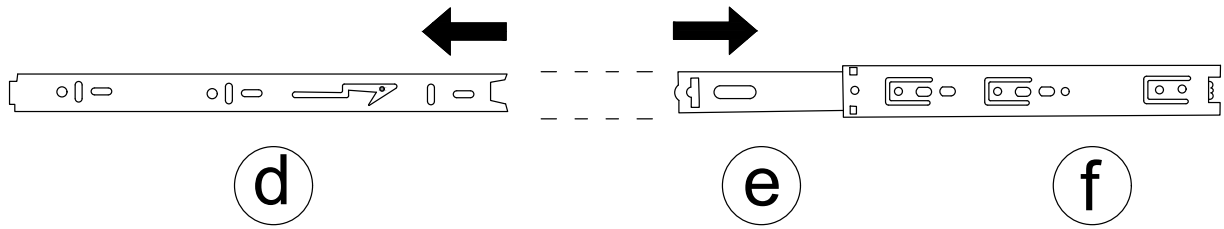
Step 12

- 2  x4



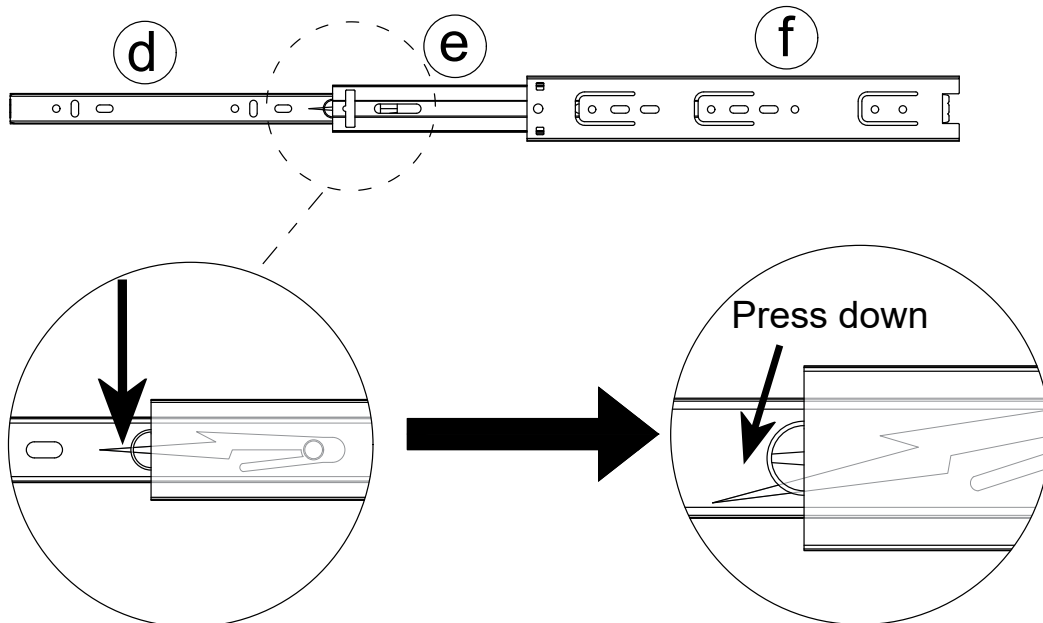
Use parts ⑥

Drawer rail breakdown diagram



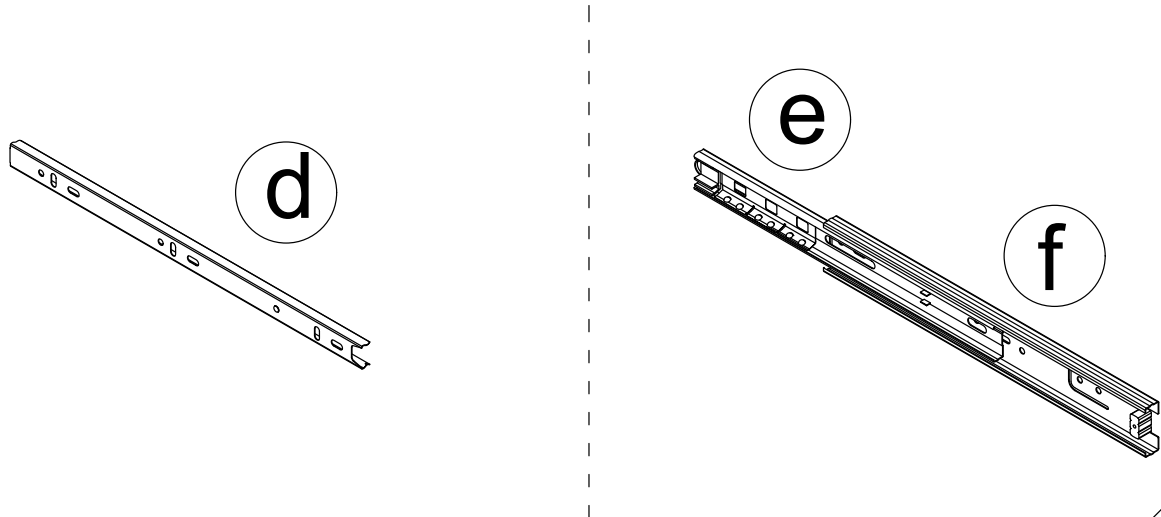
① Dismantle the schematic diagram

Step 1 : Pull the rails apart

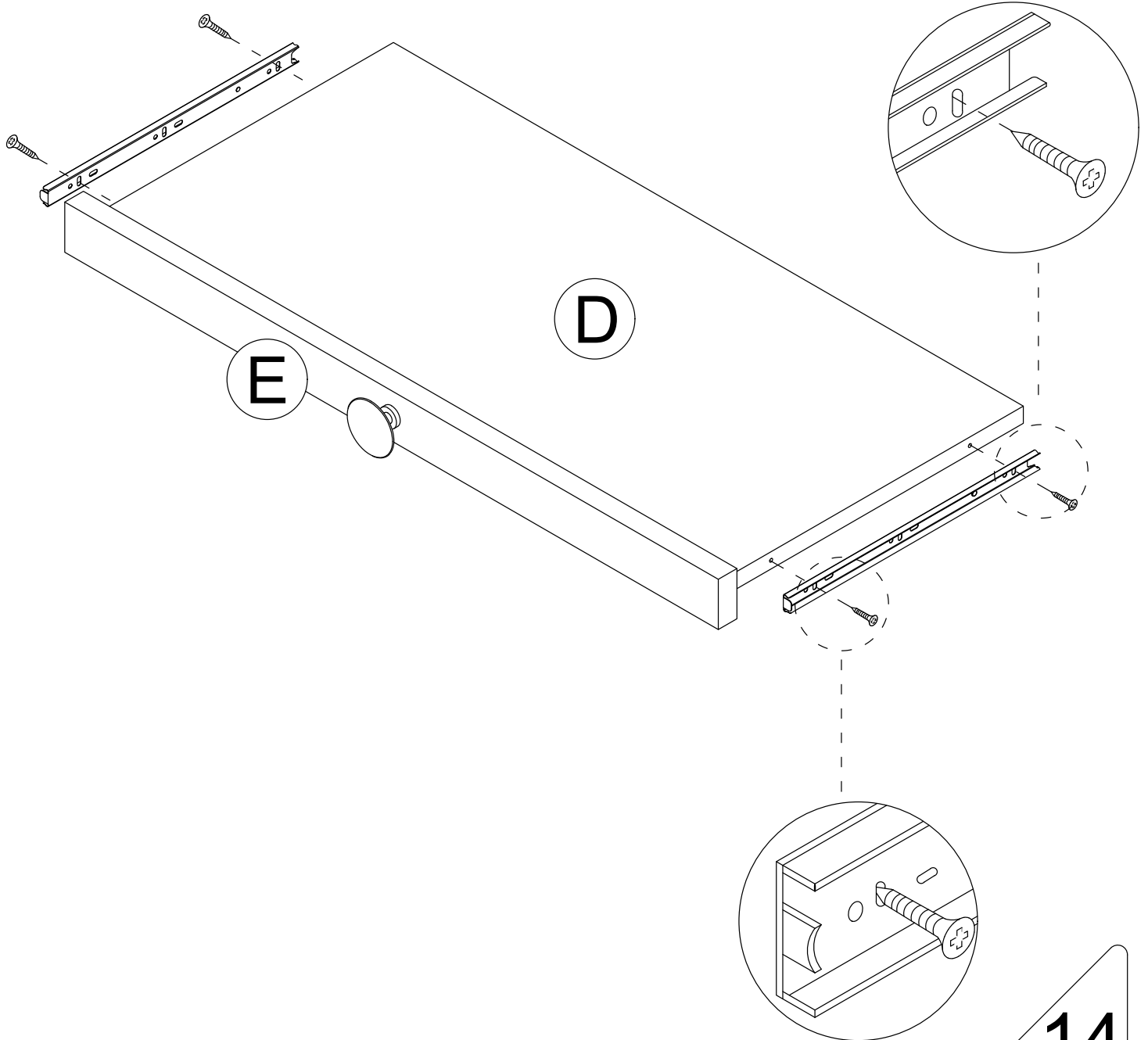
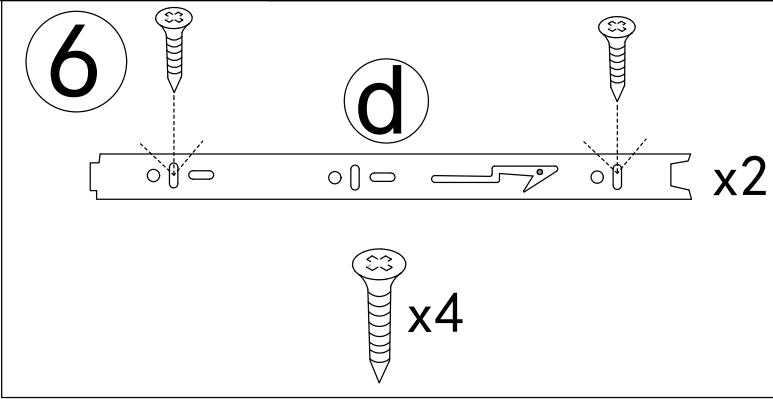


Step 2 : Press the nylon button and pull out ④.

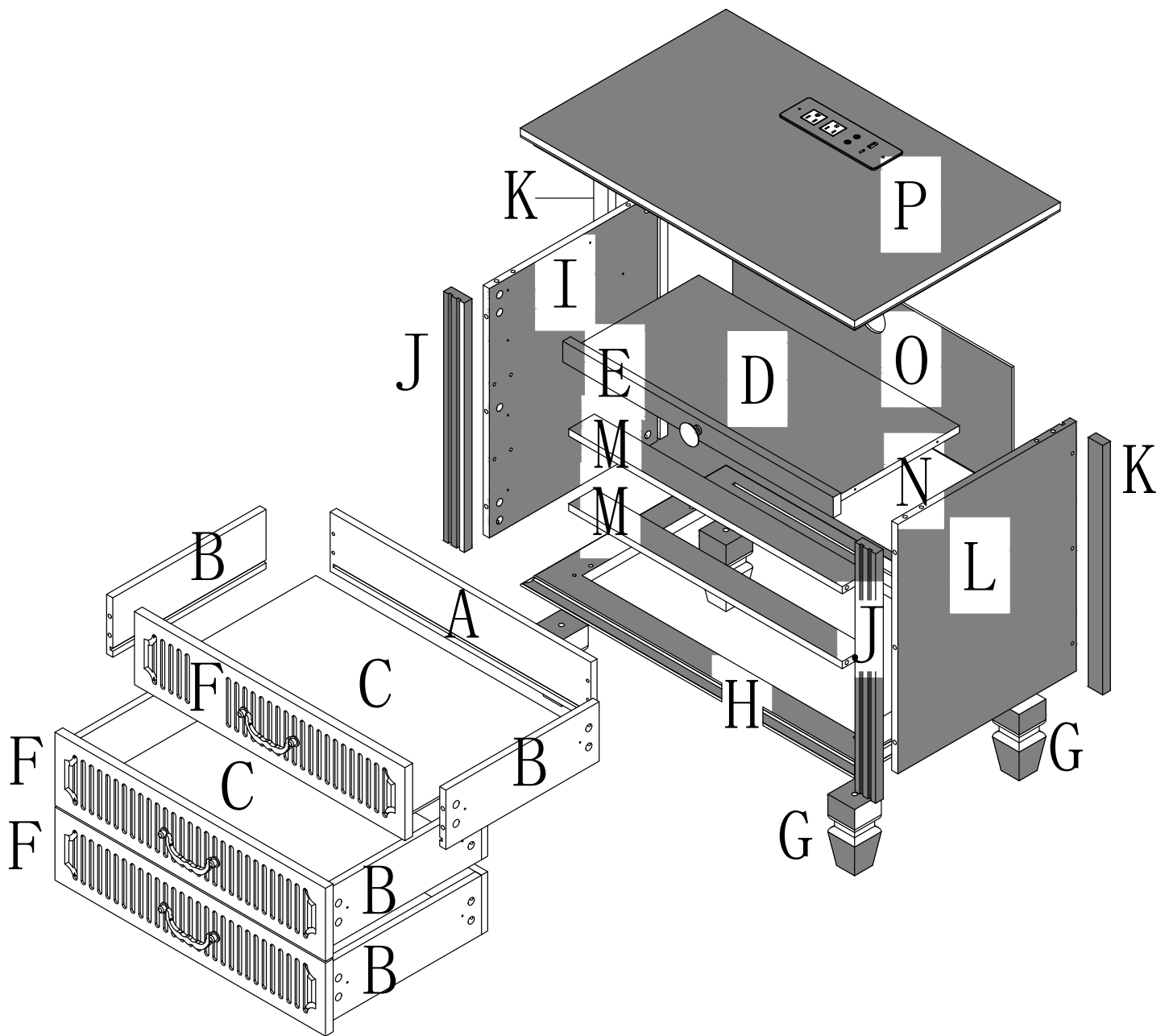
Drawer rail decomposition completed schematic diagram




Step 13

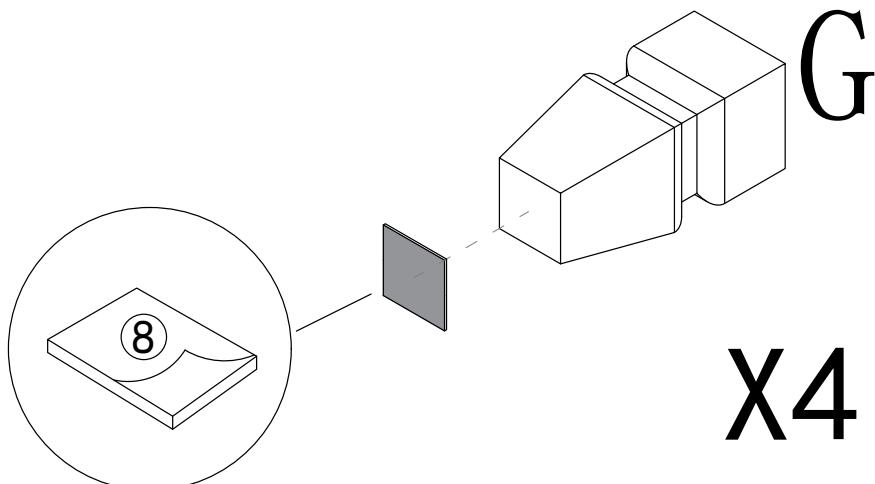


Product structure decomposition



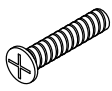
Step 14

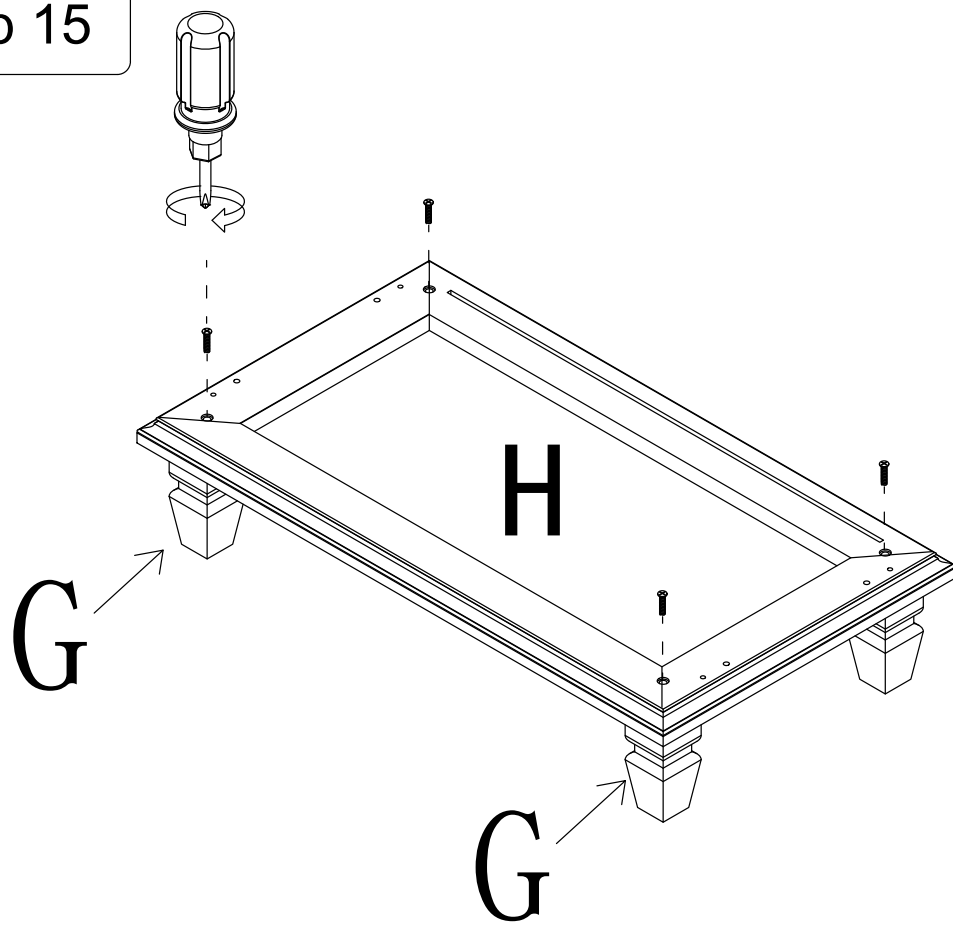
8  x4



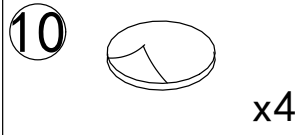
Tear off the protective film before installation

Step 15

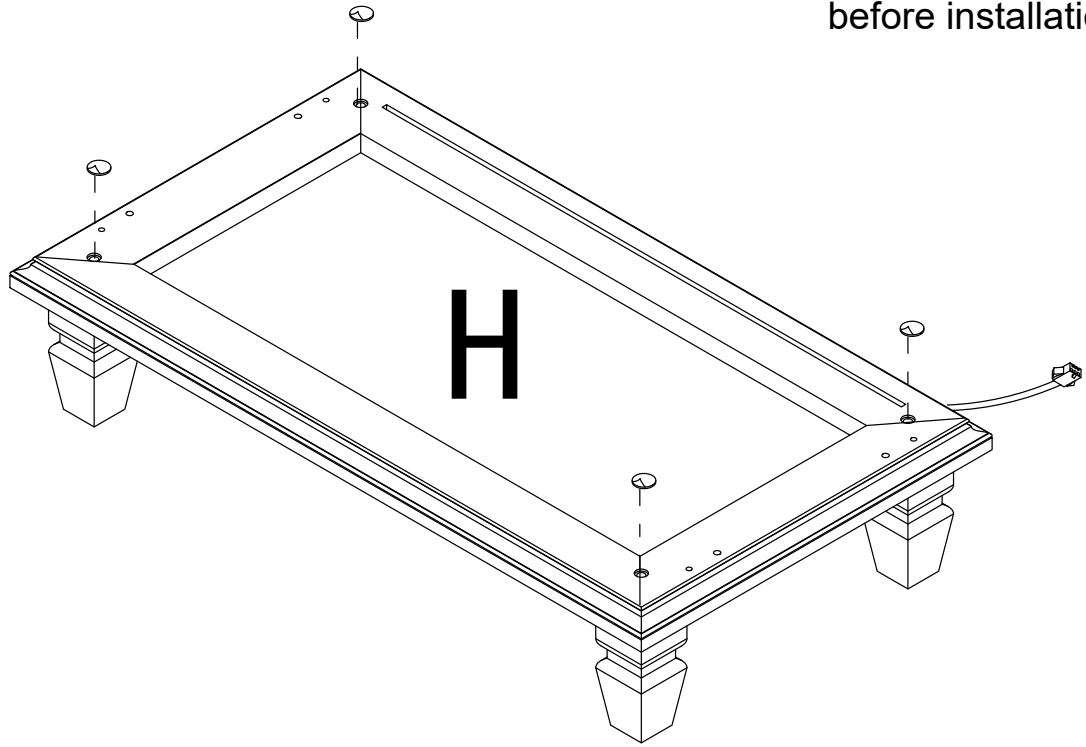
9  x4



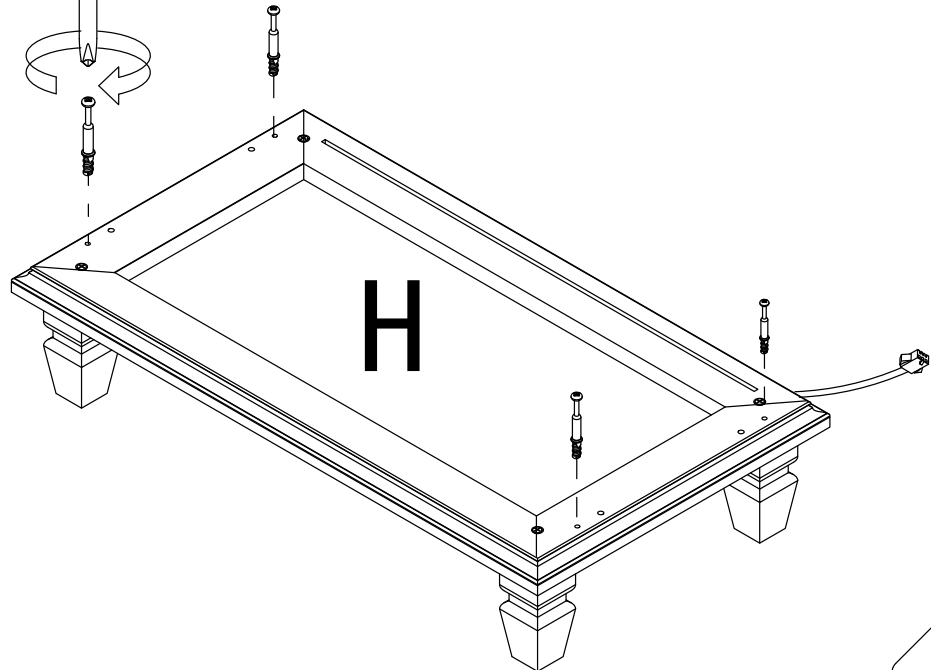
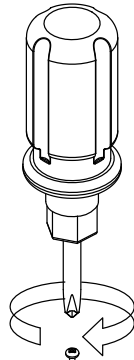
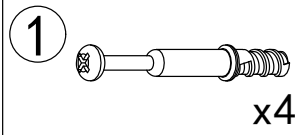
Step 16



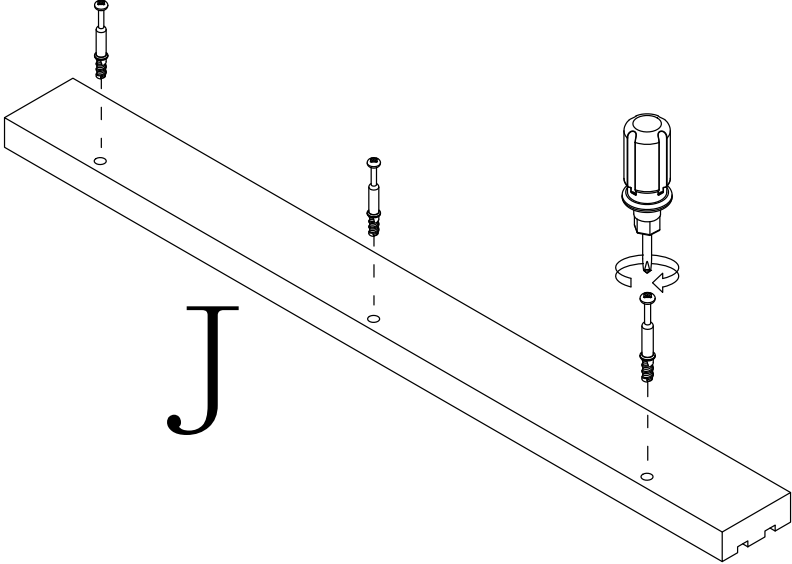
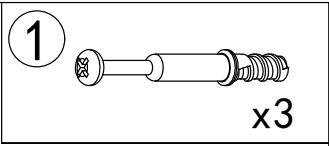
Tear off the protective film before installation



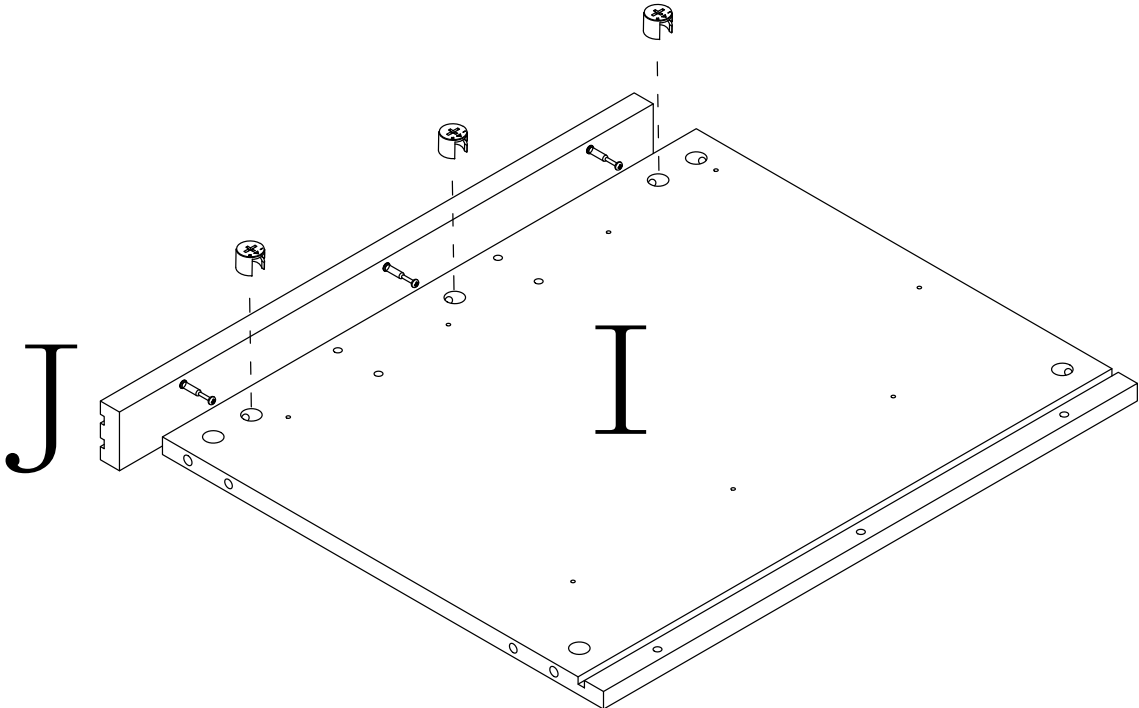
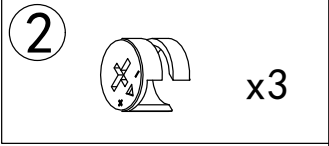
Step 17



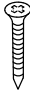
Step 18

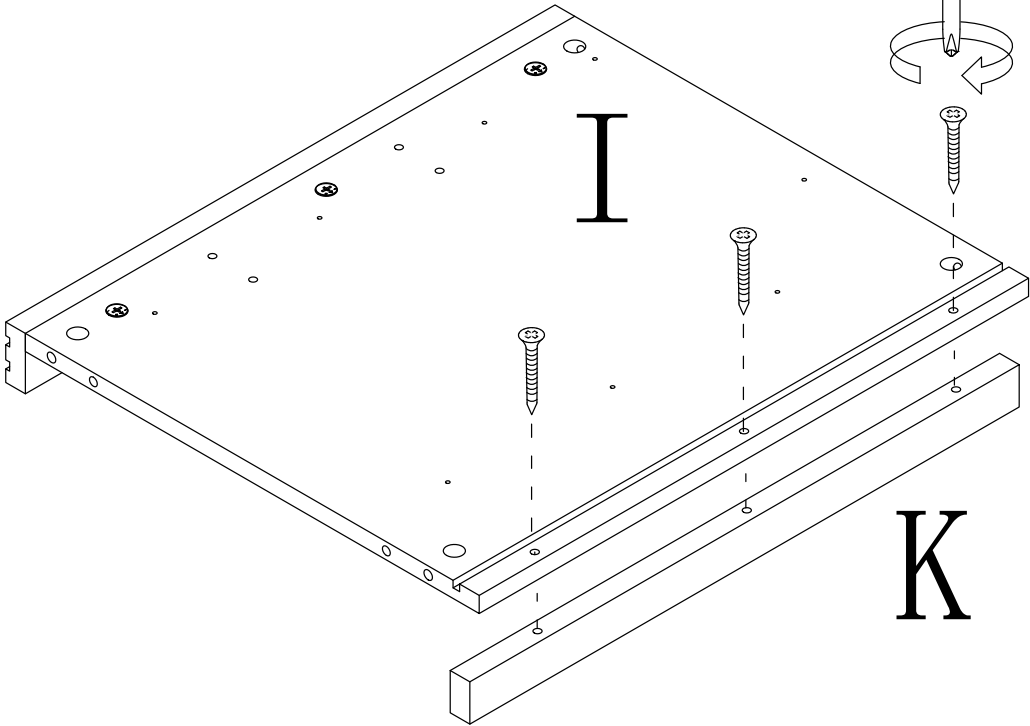


Step 19

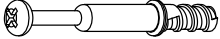


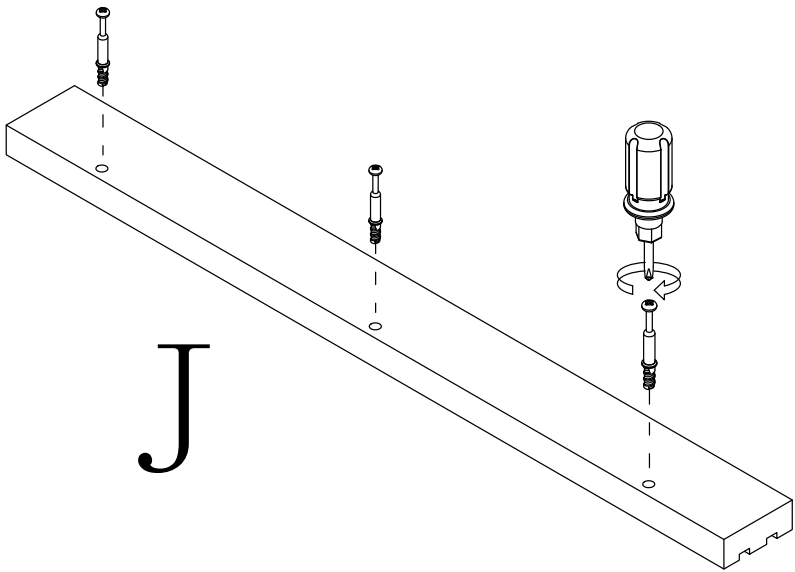
Step 20

11  x3




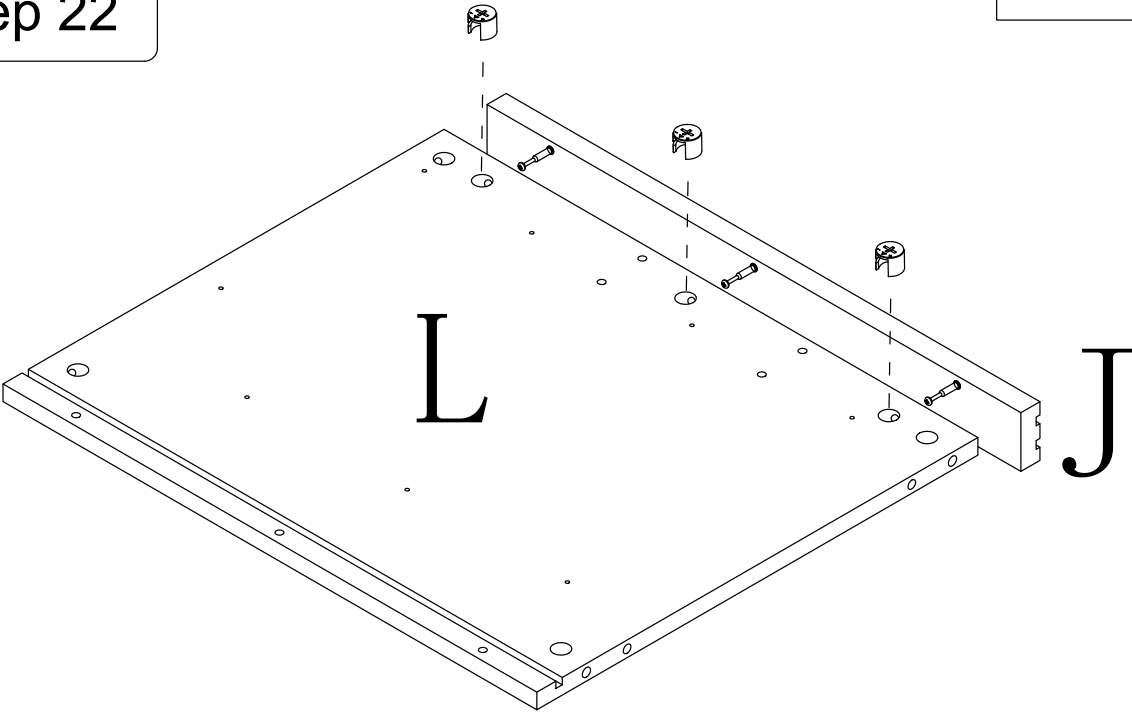
Step 21

1  x3

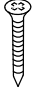


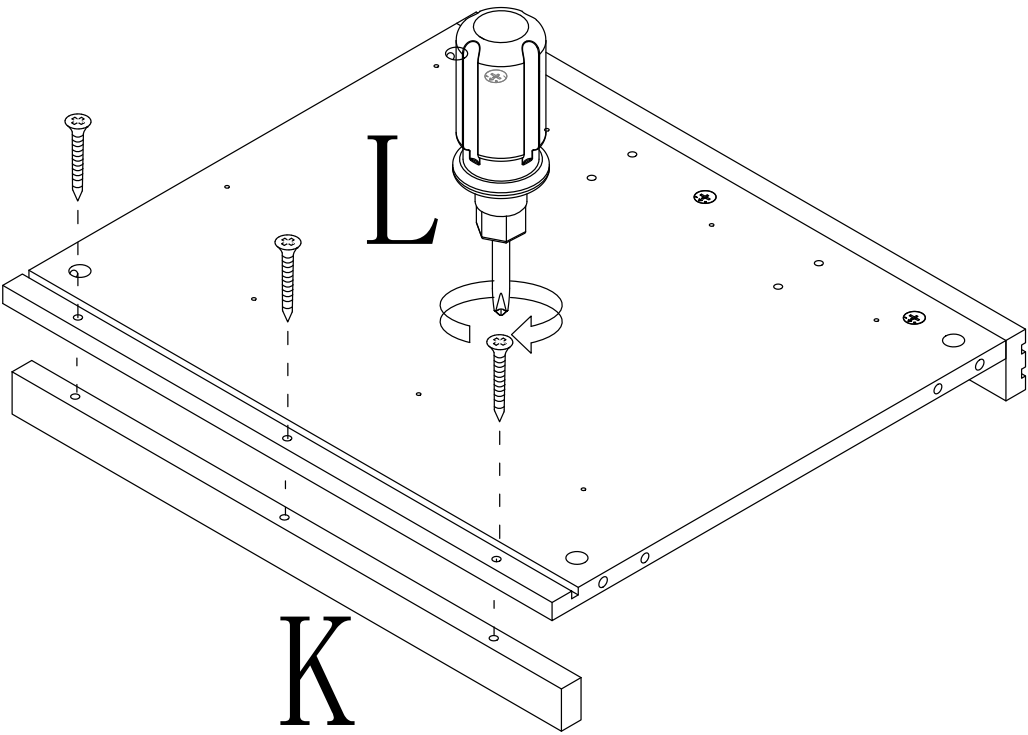
Step 22

2  x3

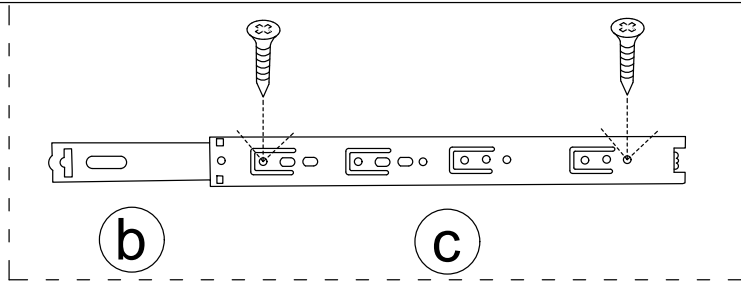


Step 23

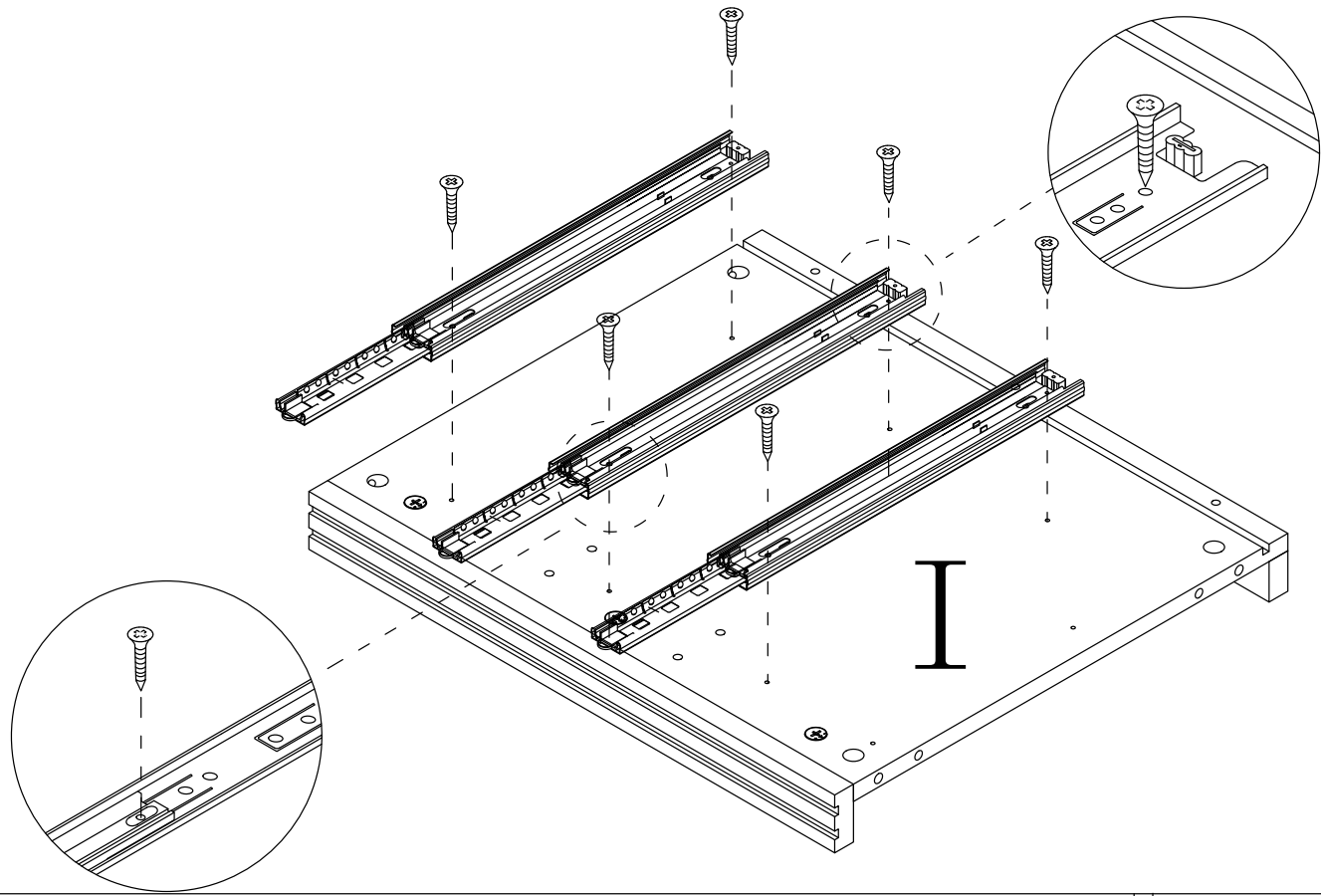
11  x3



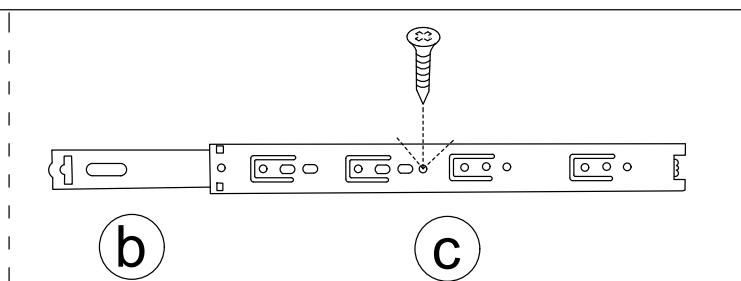
Step 24



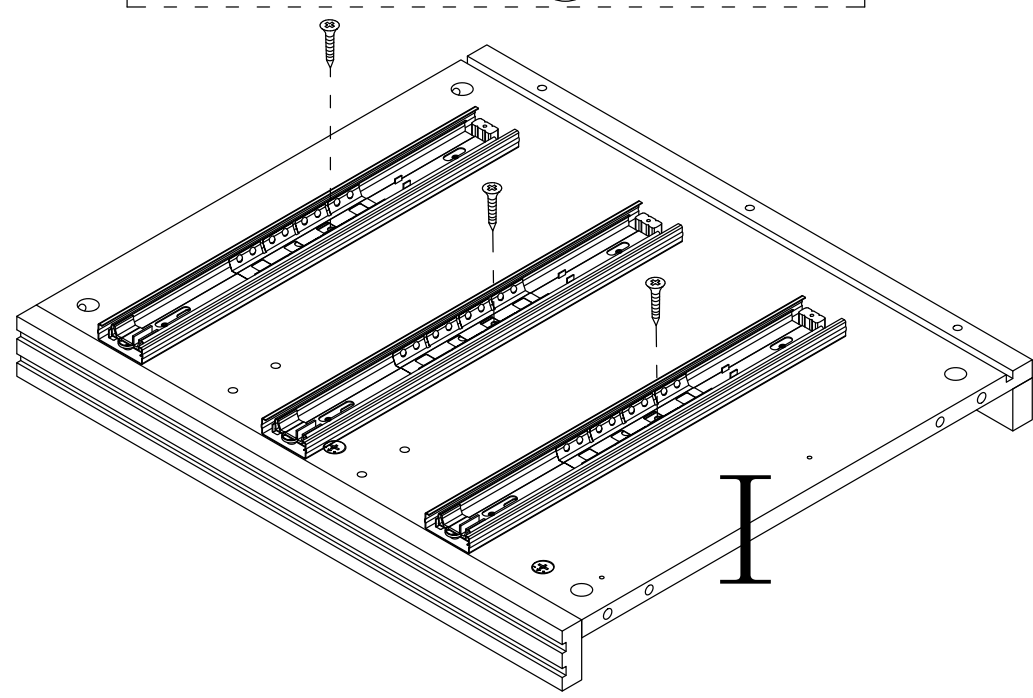
- 5 x3
- x6



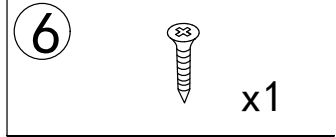
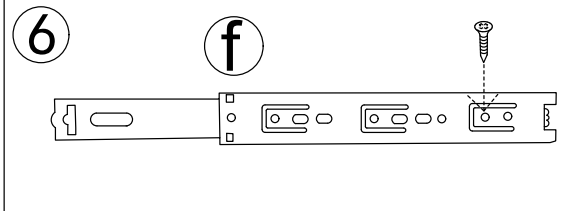
Step 25



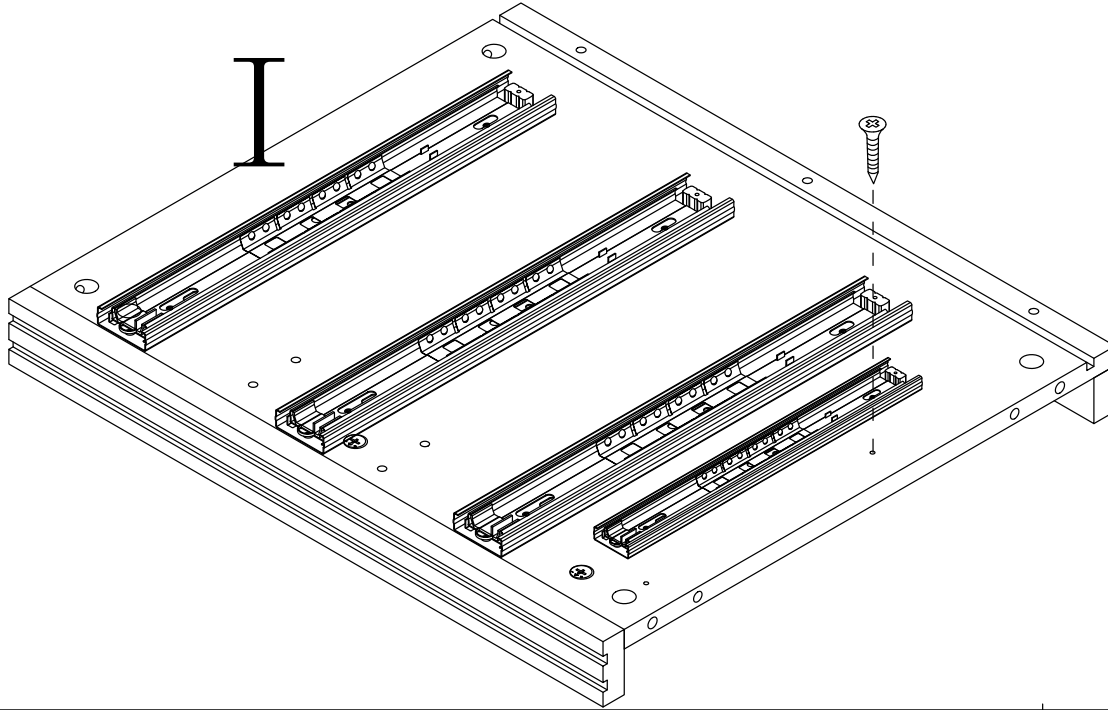
- 5 x3



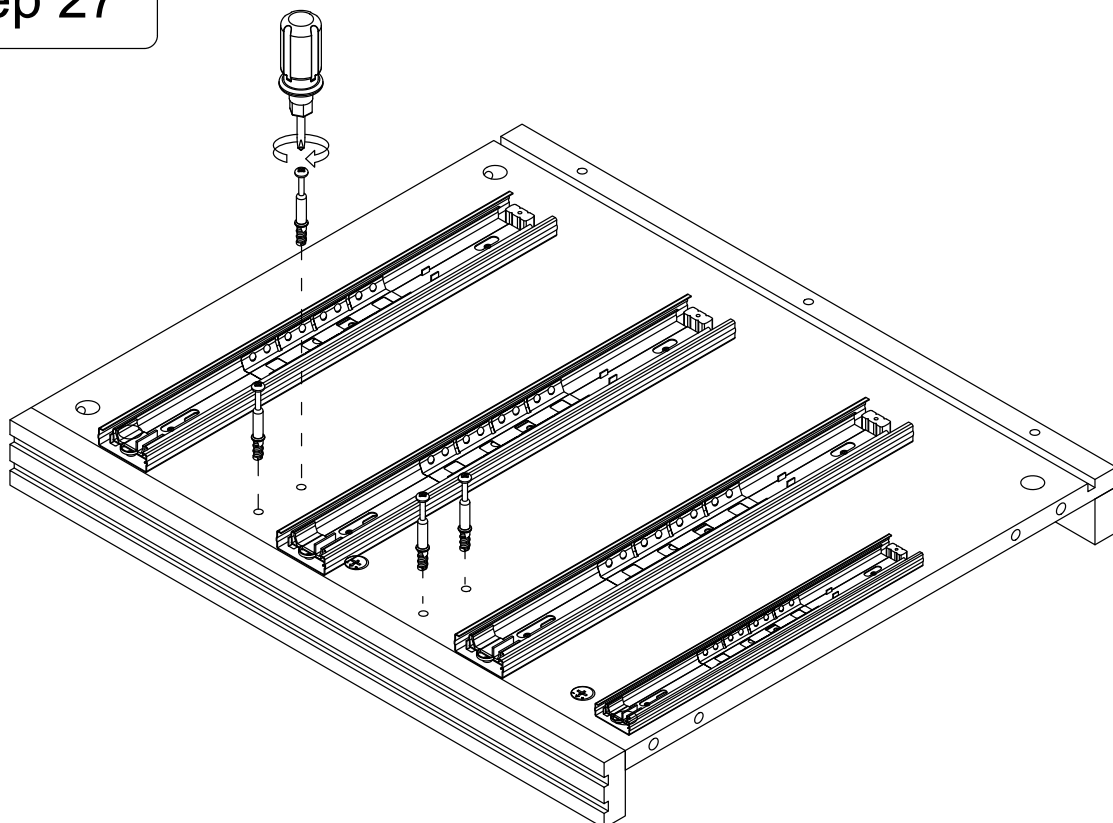
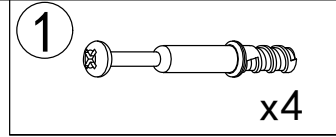
Step 26




Install a screw on the guide rail first to prevent it from blocking the hole.

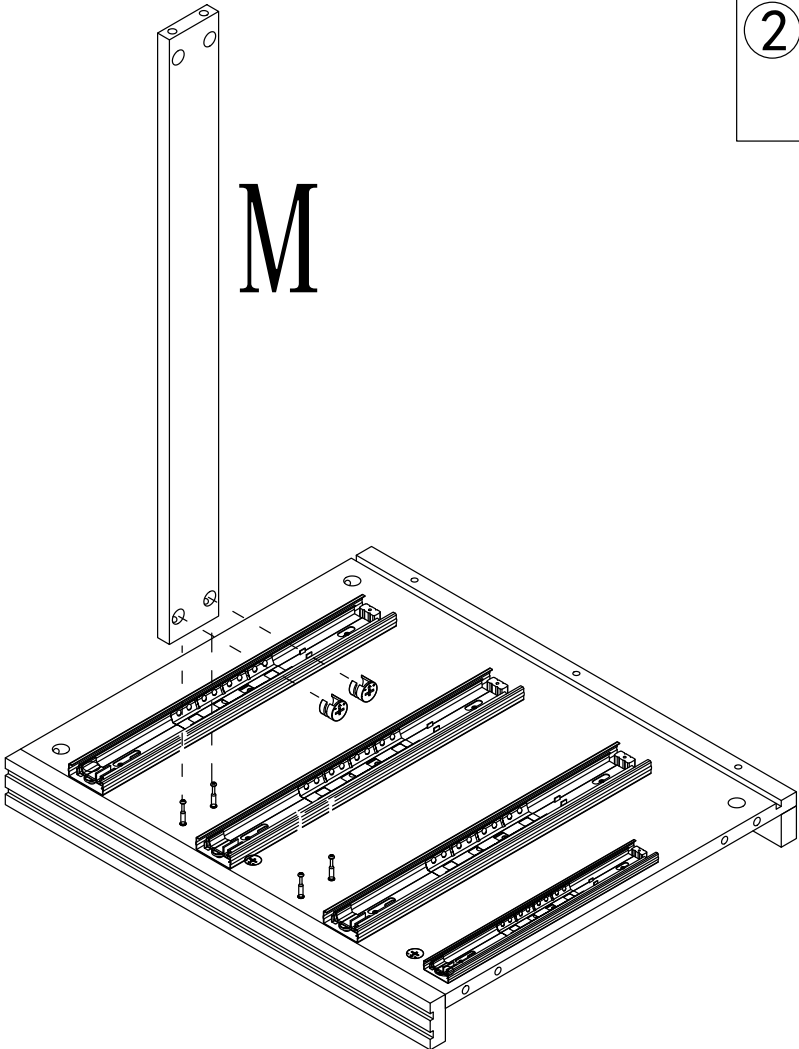


Step 27




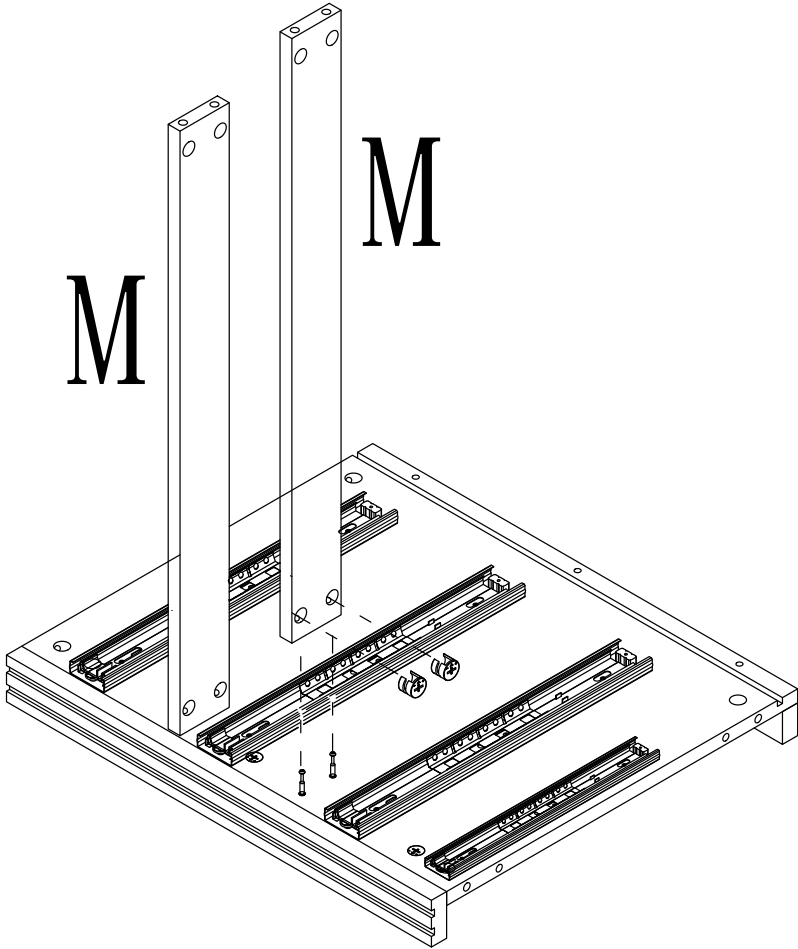
Step 28

2  x2

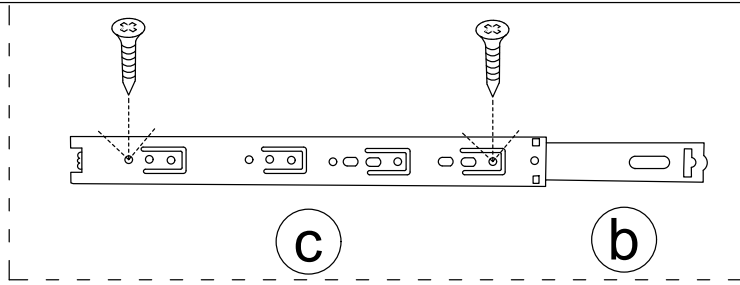
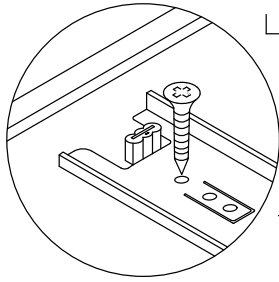



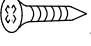
Step 29

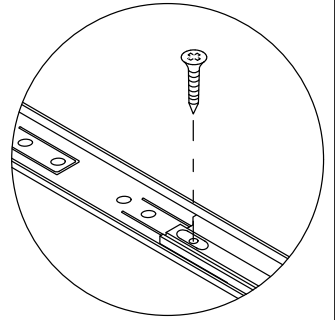
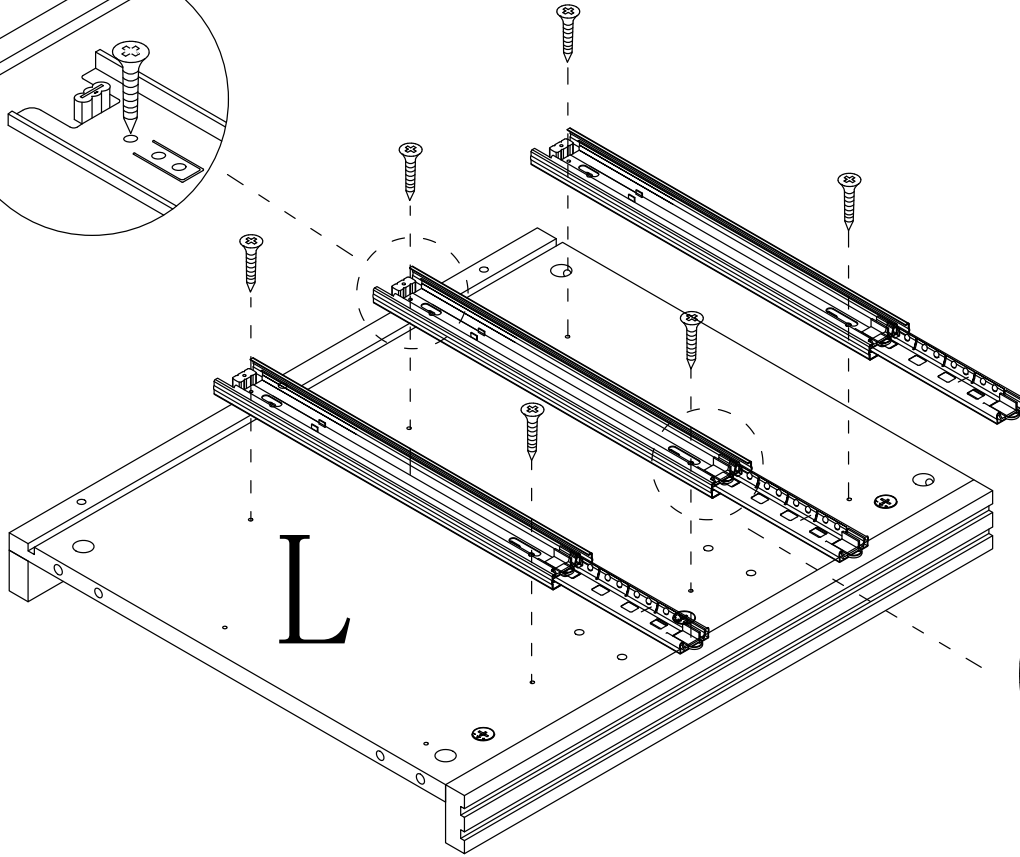
2  x2



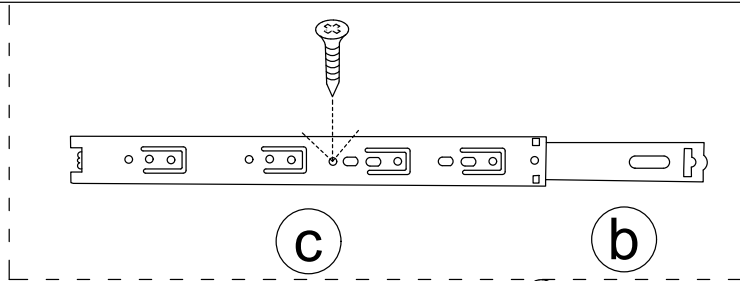
Step 30

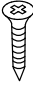


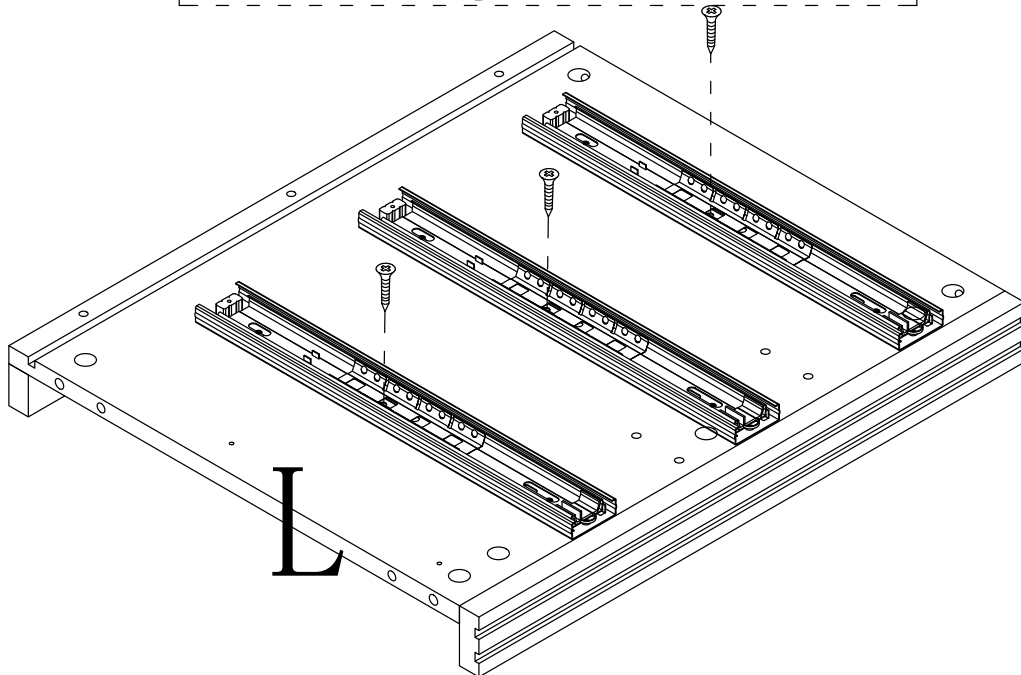
- 5  x3
-  x6



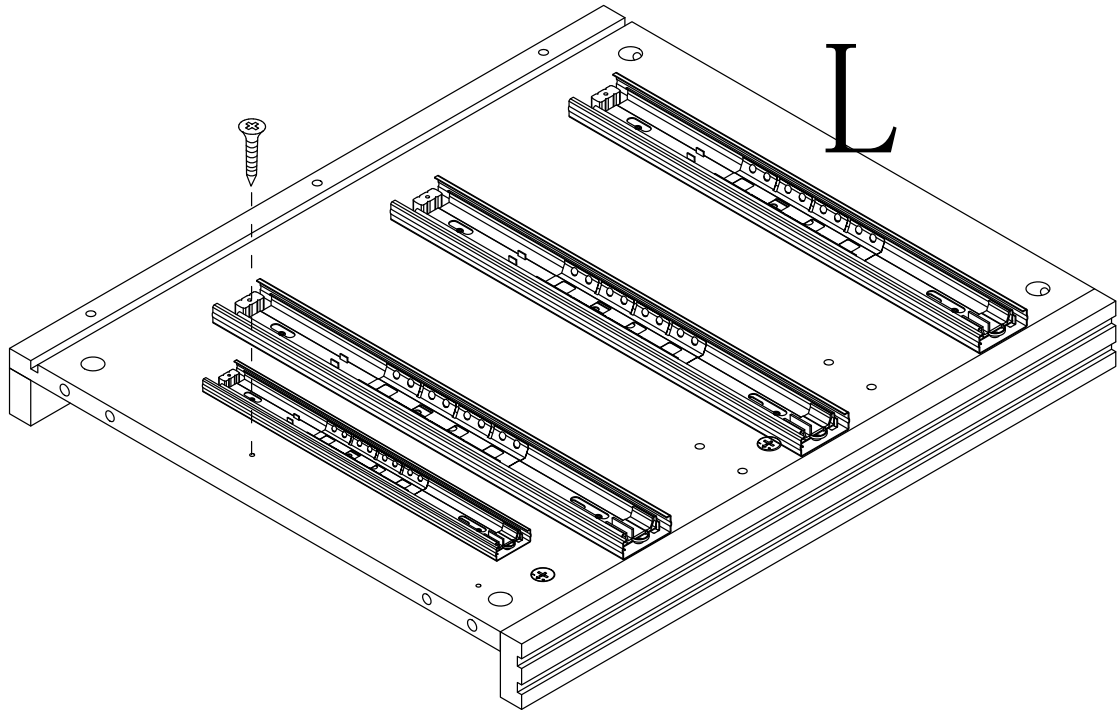
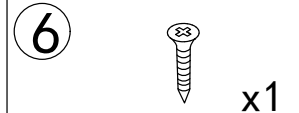
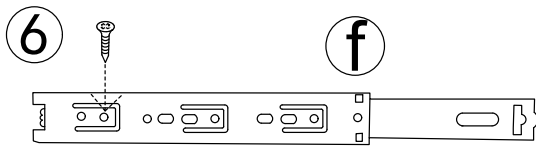
Step 31



- 5  x3

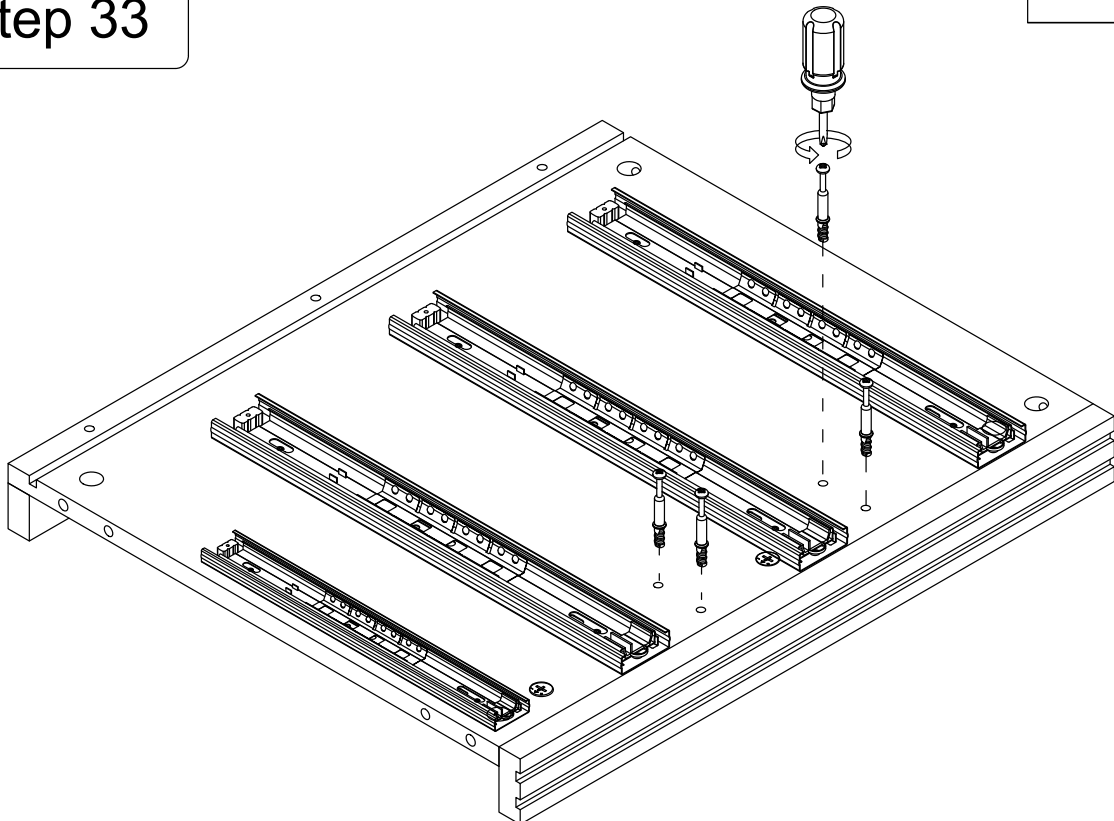
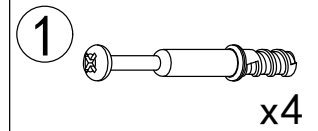


Step 32


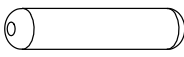


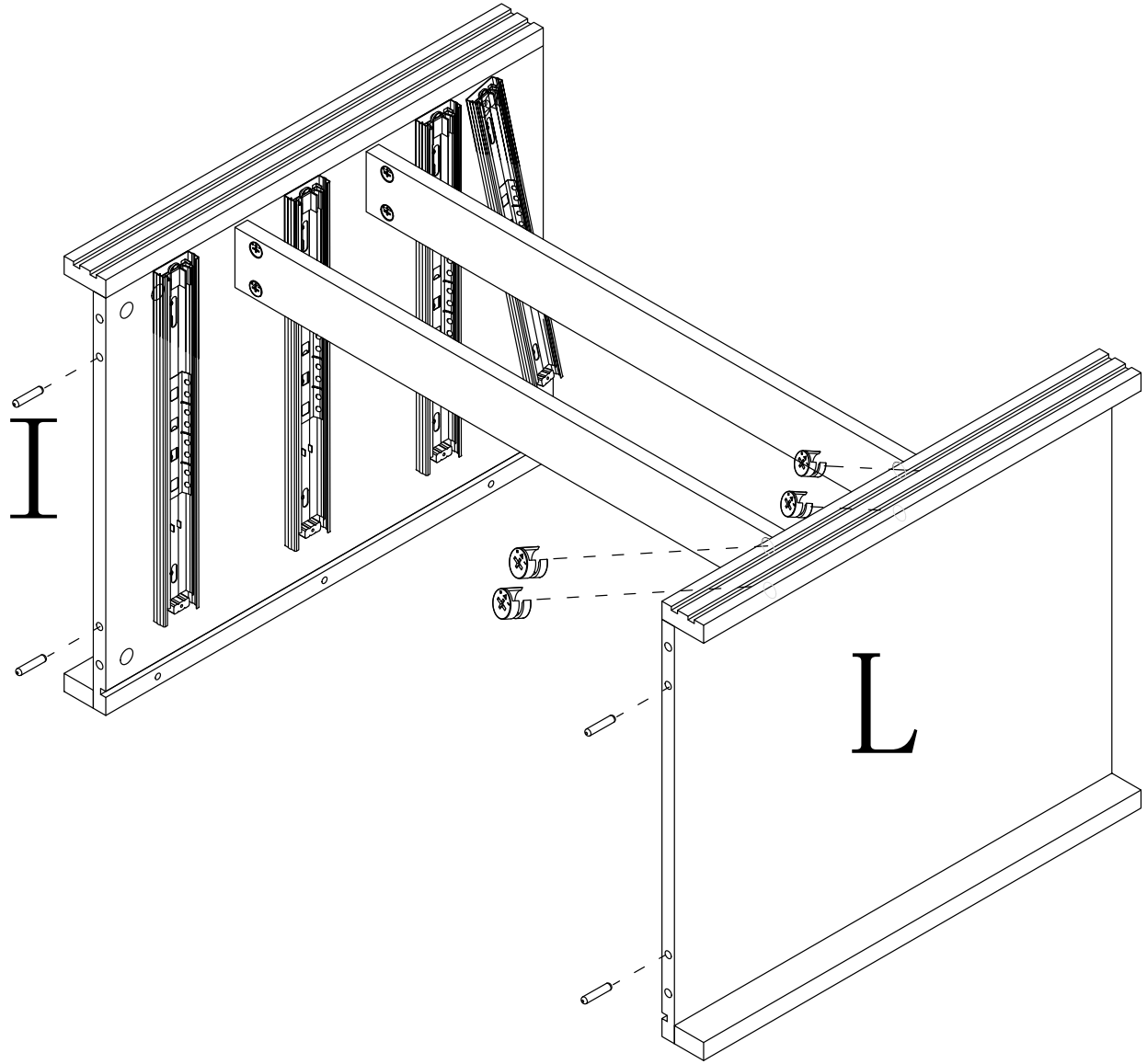
Install a screw on the guide rail first to prevent it from blocking the hole.

Step 33




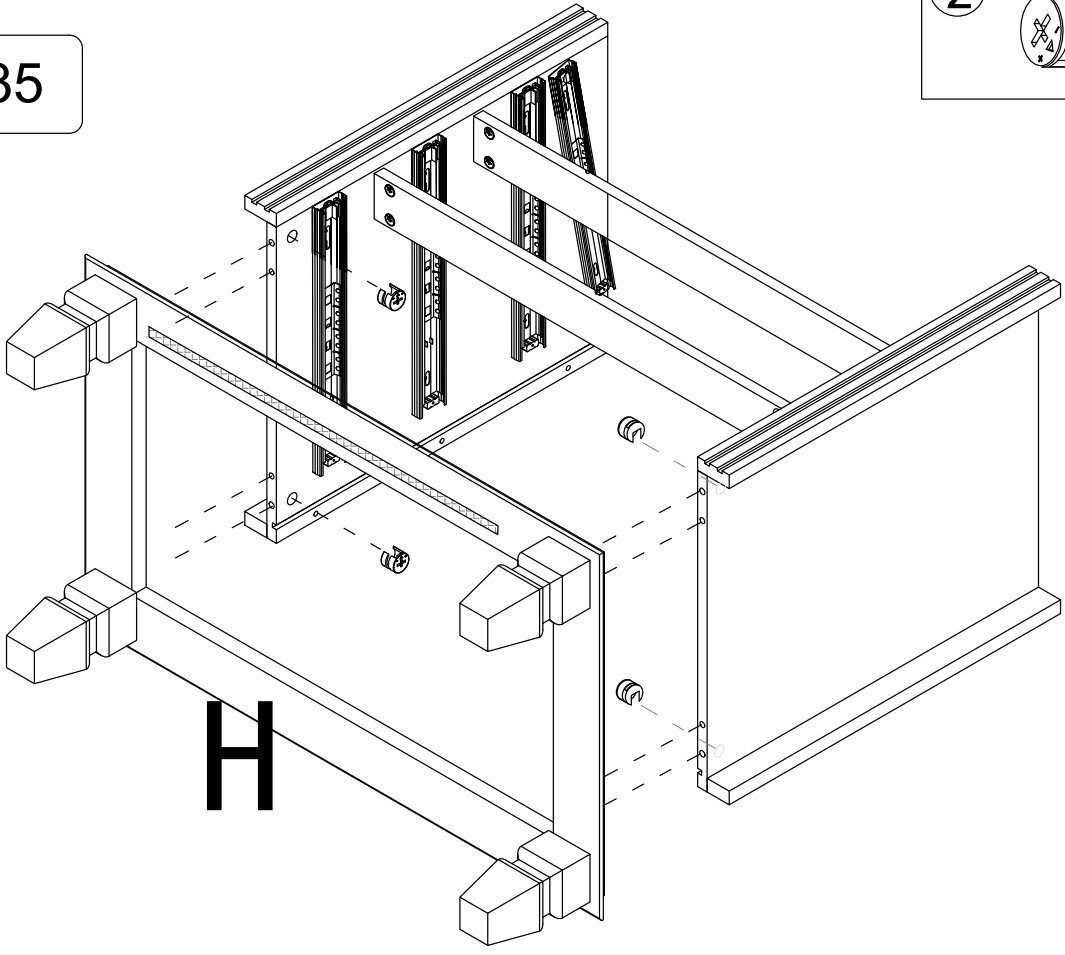
Step 34

- ②  x4
- ③  x4

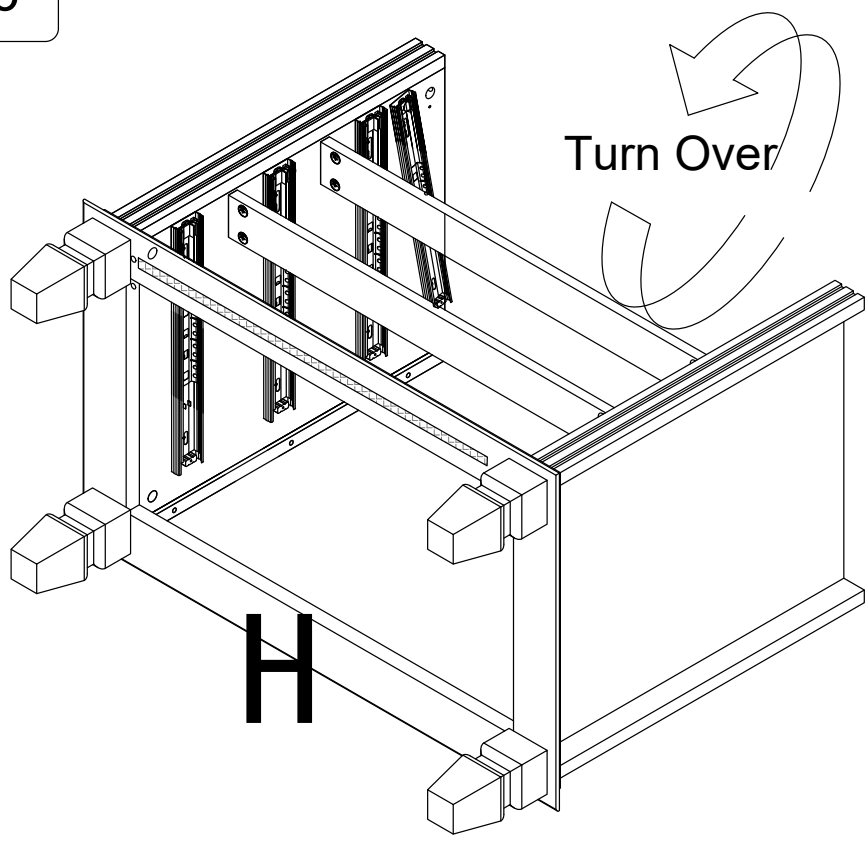


Step 35

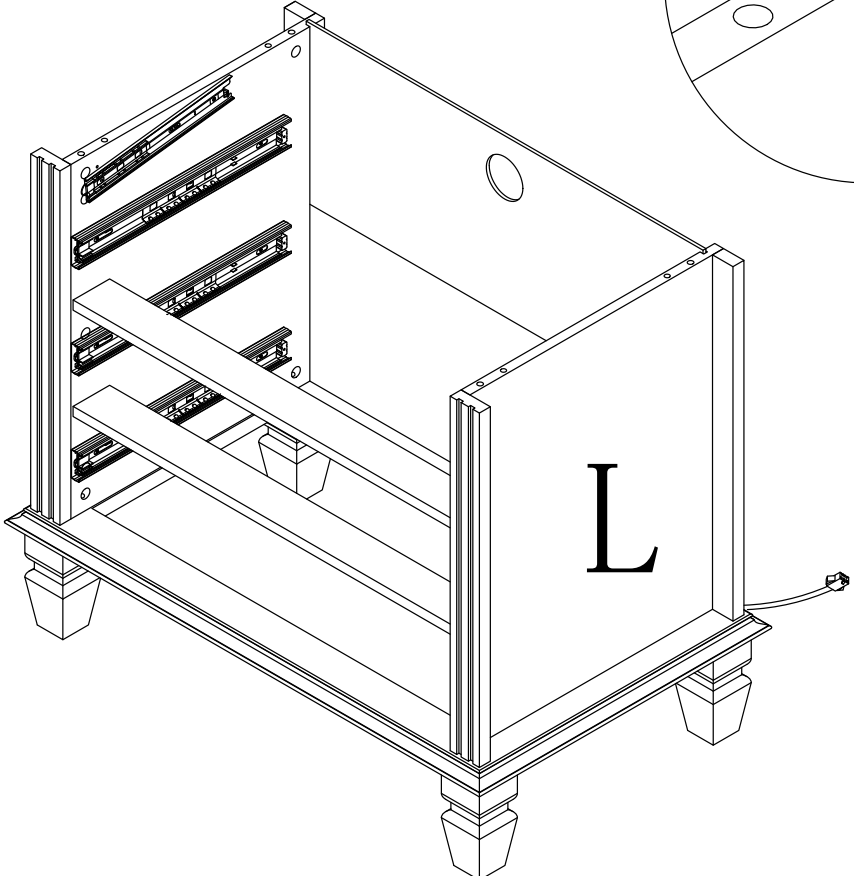
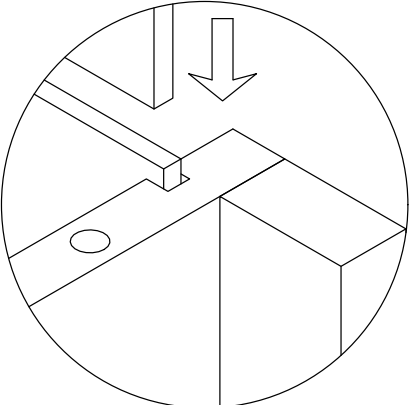
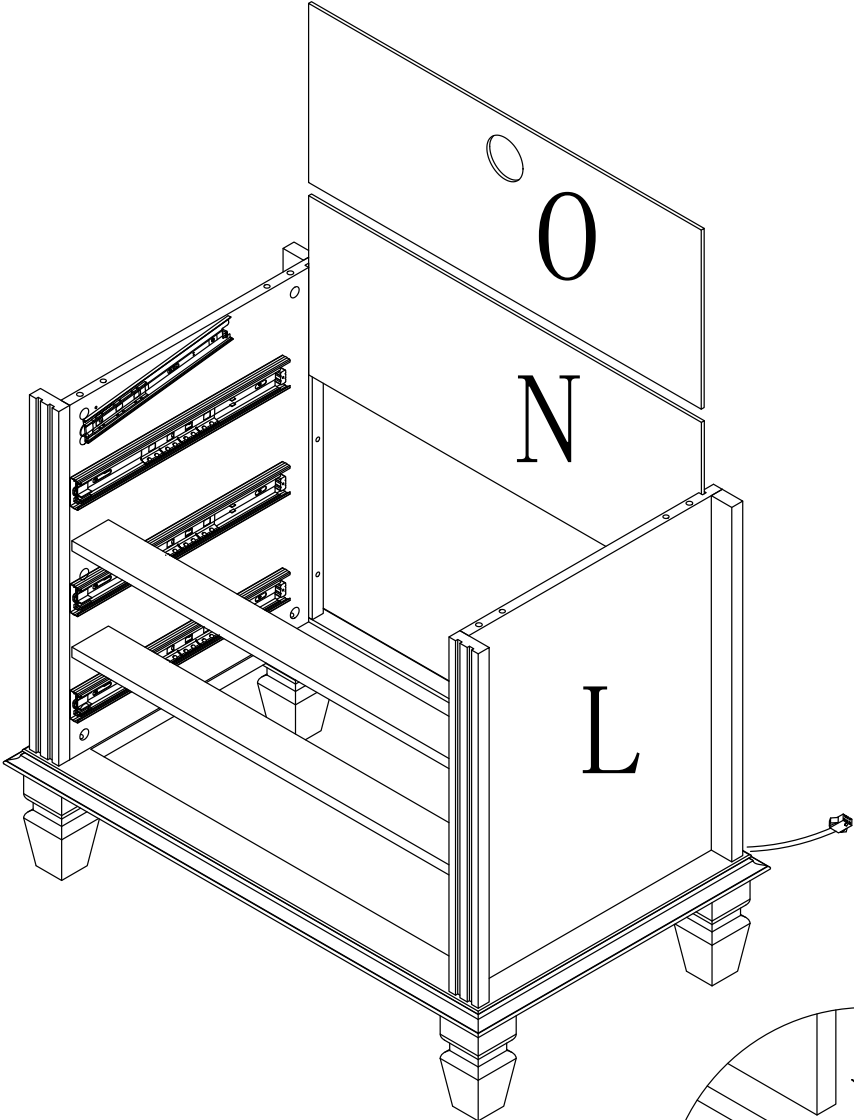
2  x4



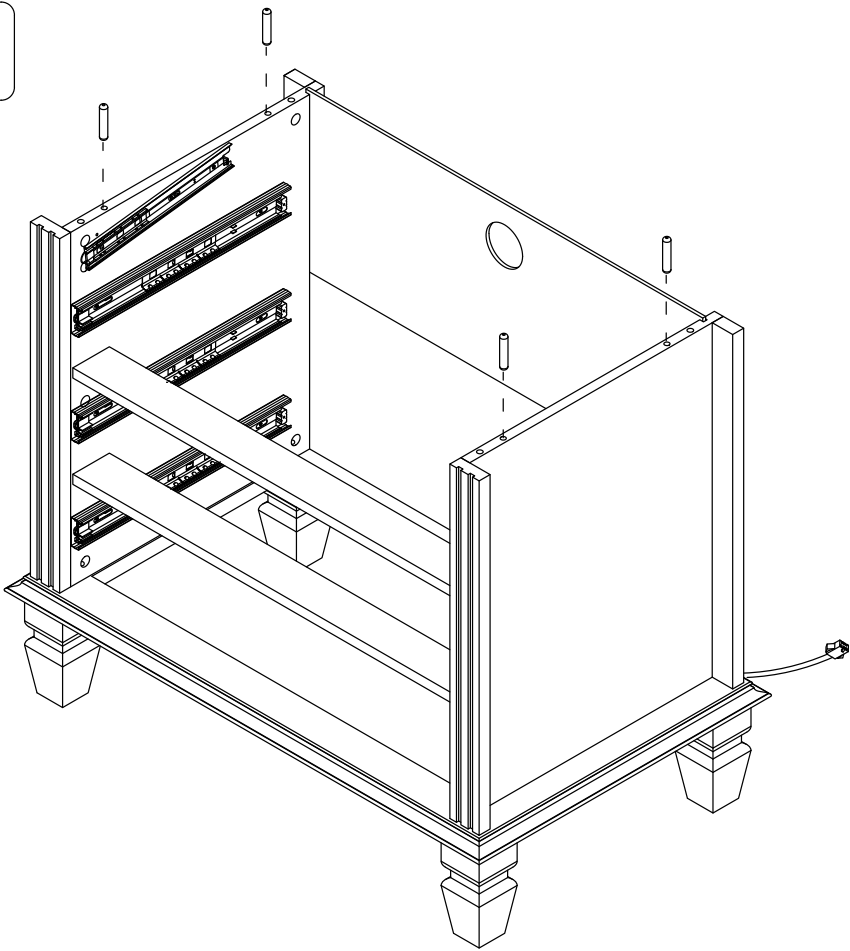
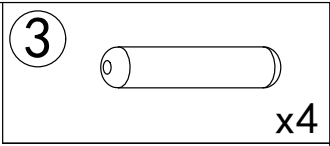
Step 36



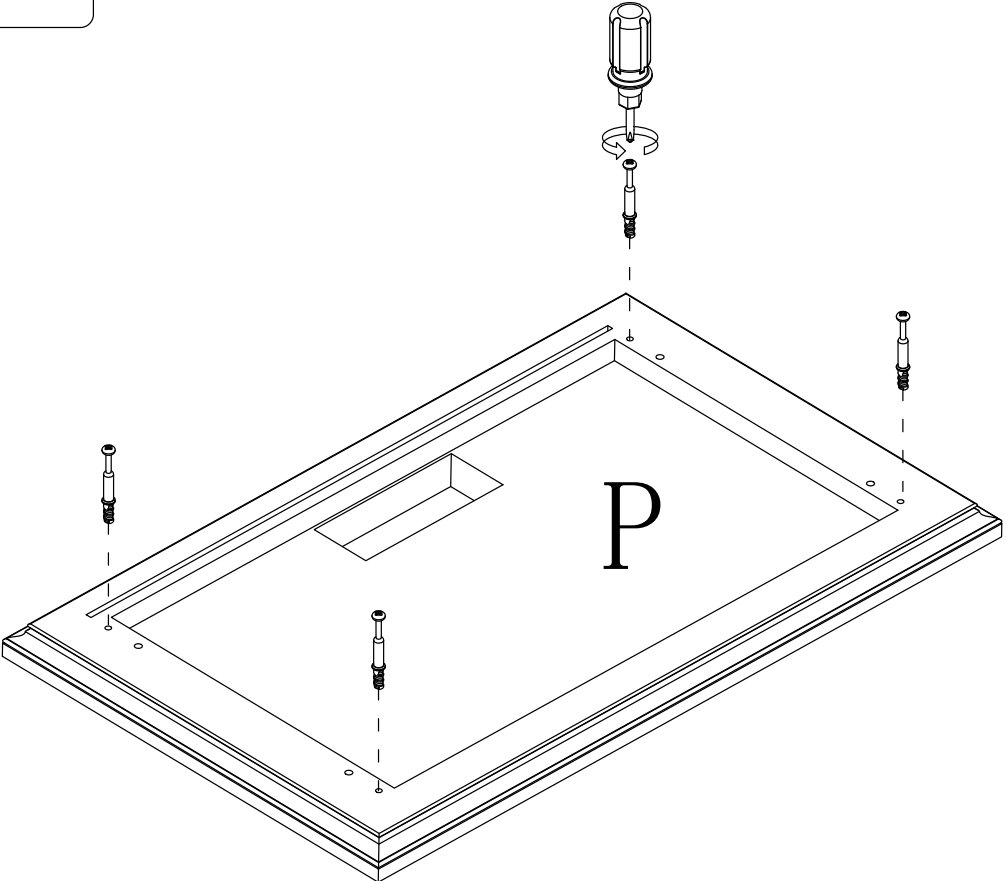
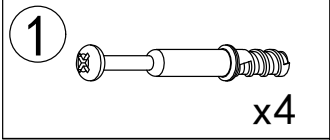
Step 37




Step 38

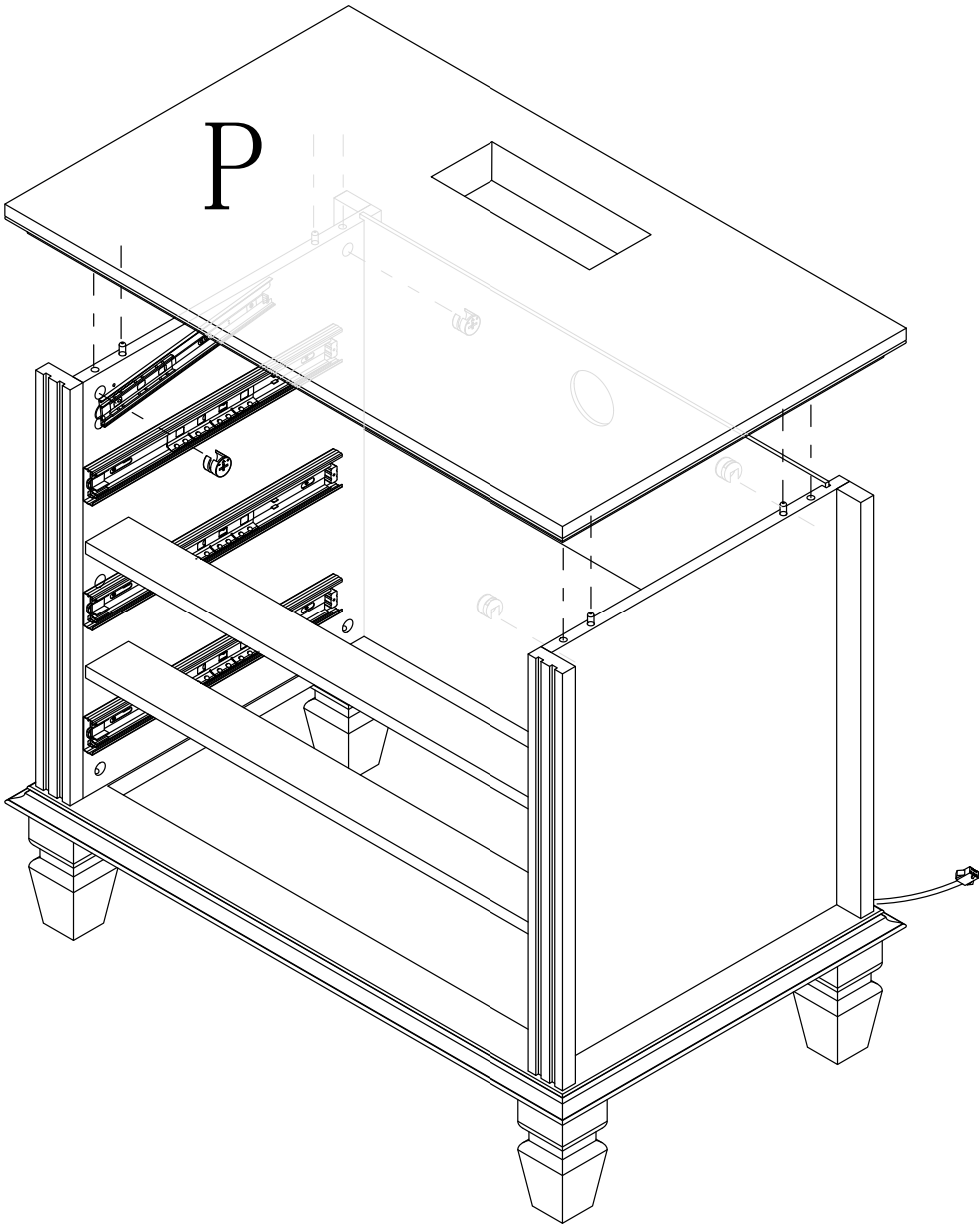


Step 39

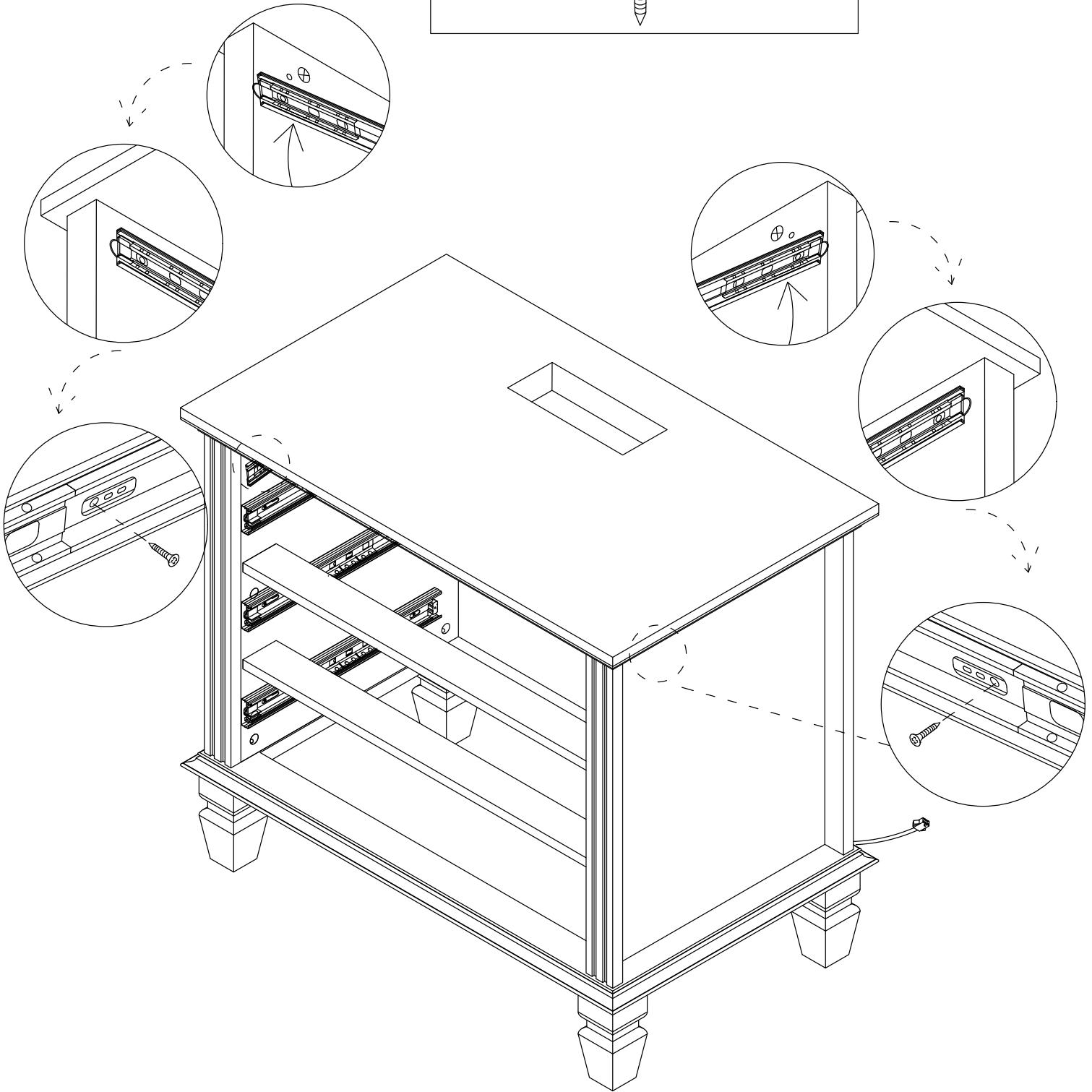
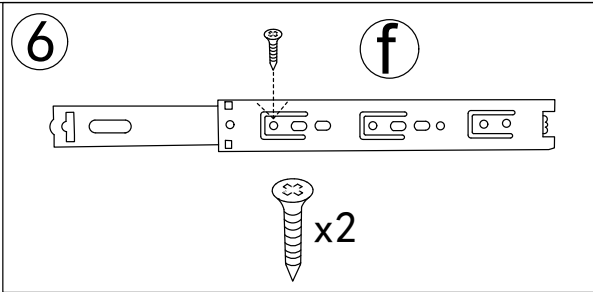


Step 40

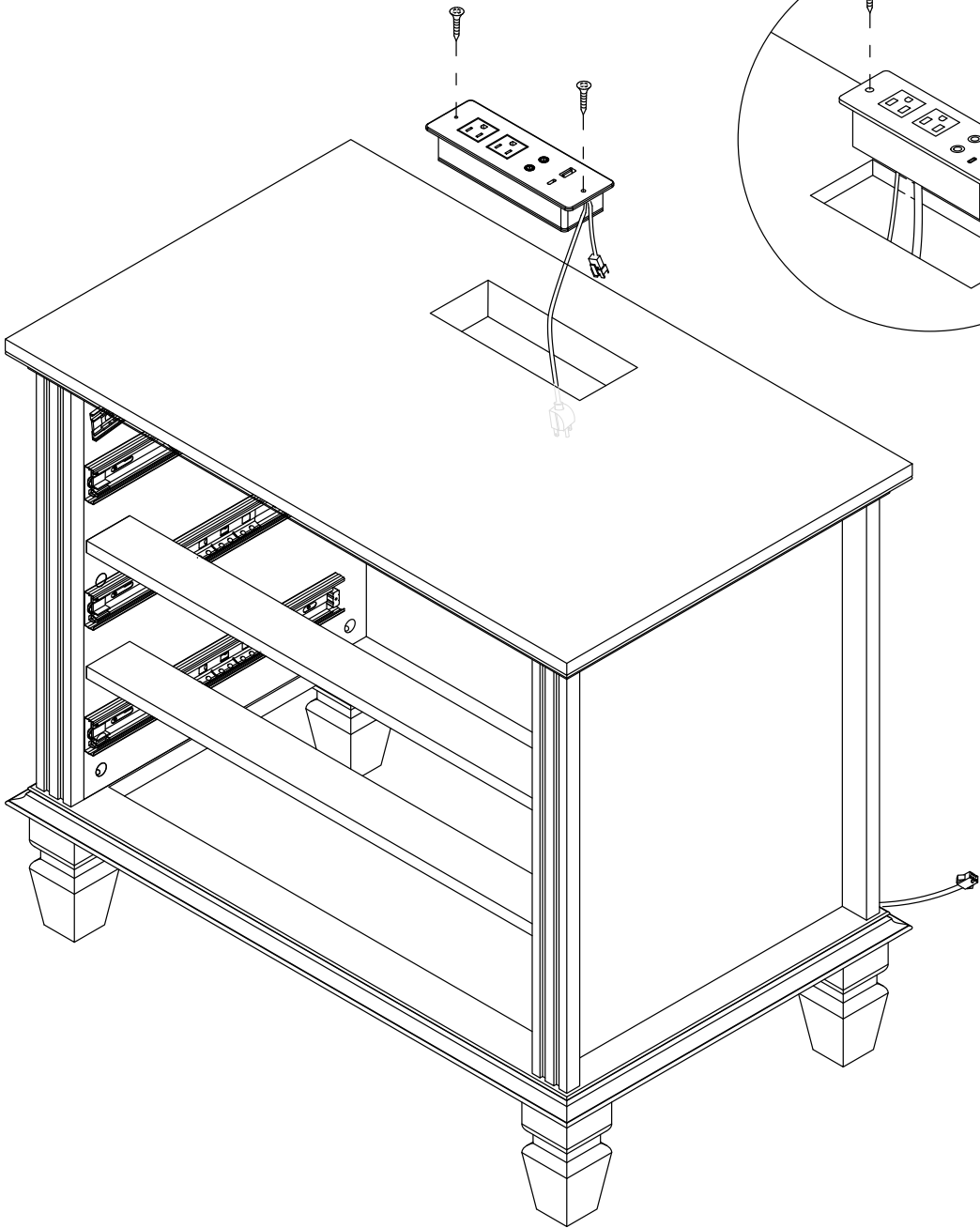
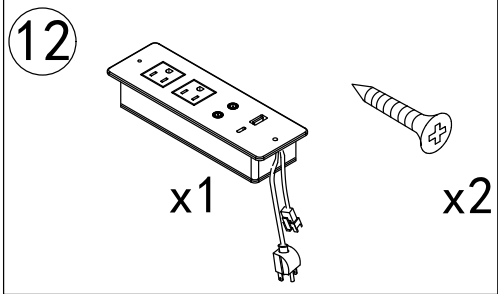
2  x4



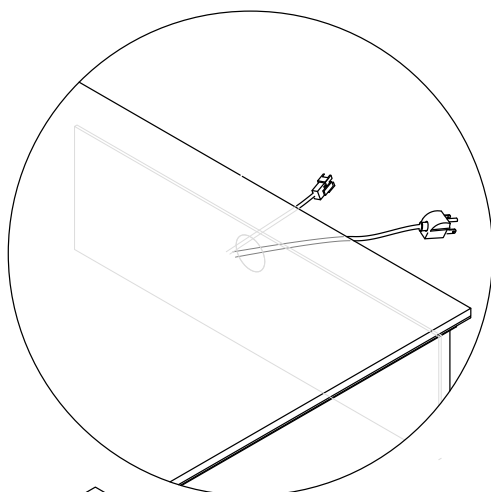
Step 41



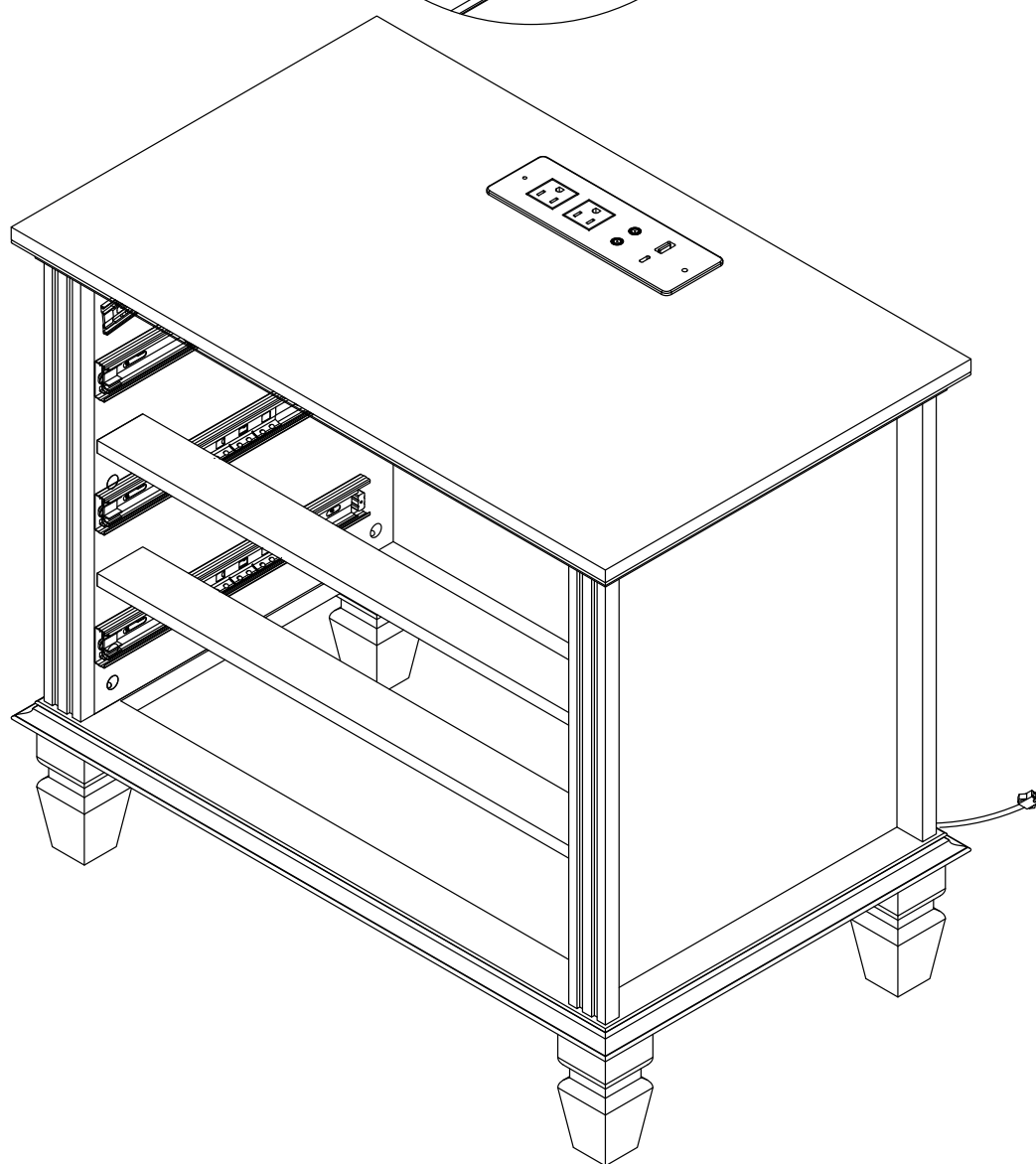
Step 42



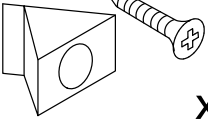
Step 43

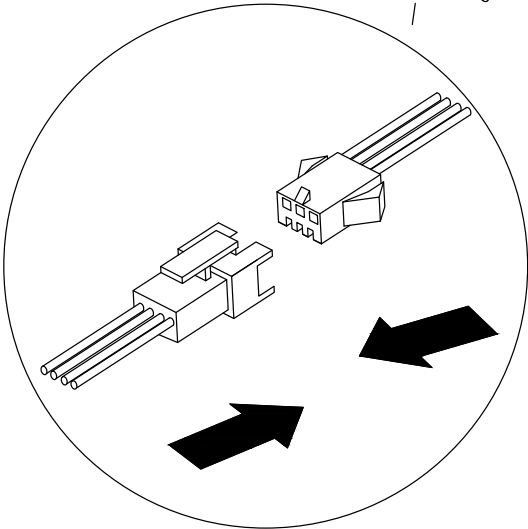
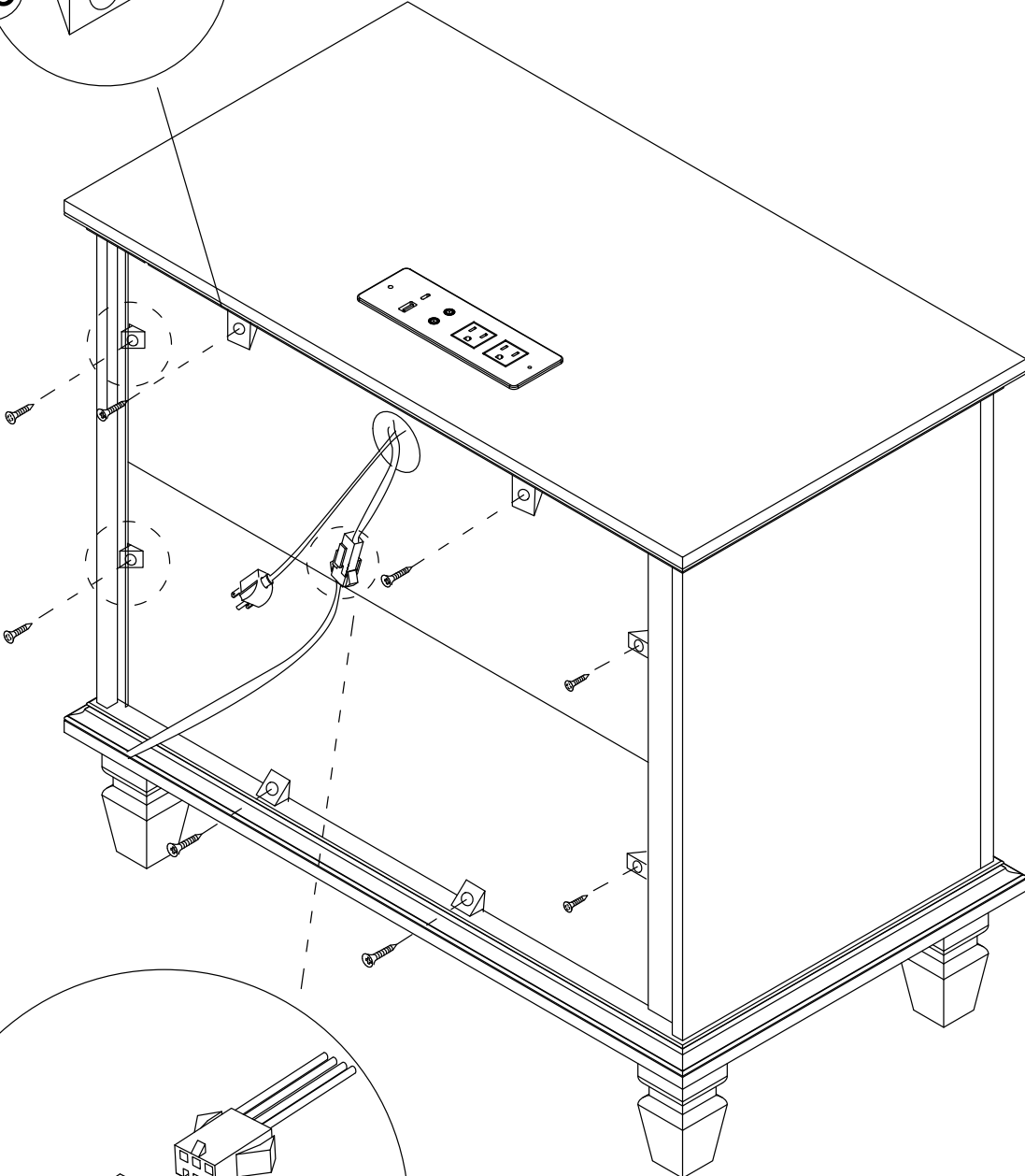
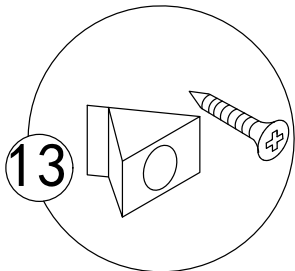


Thread the lamp power cord through the hole

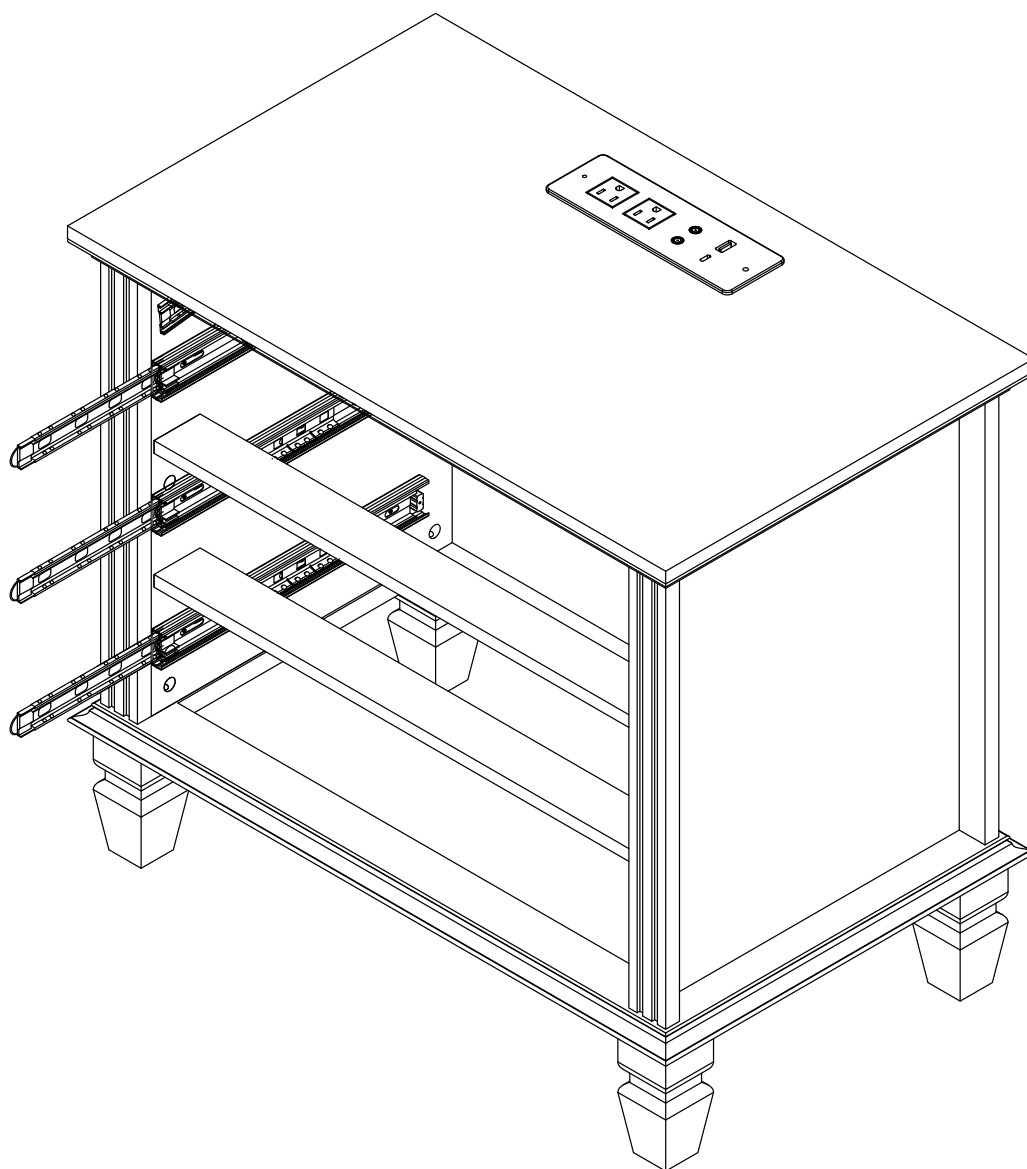


Step 44

13  x8

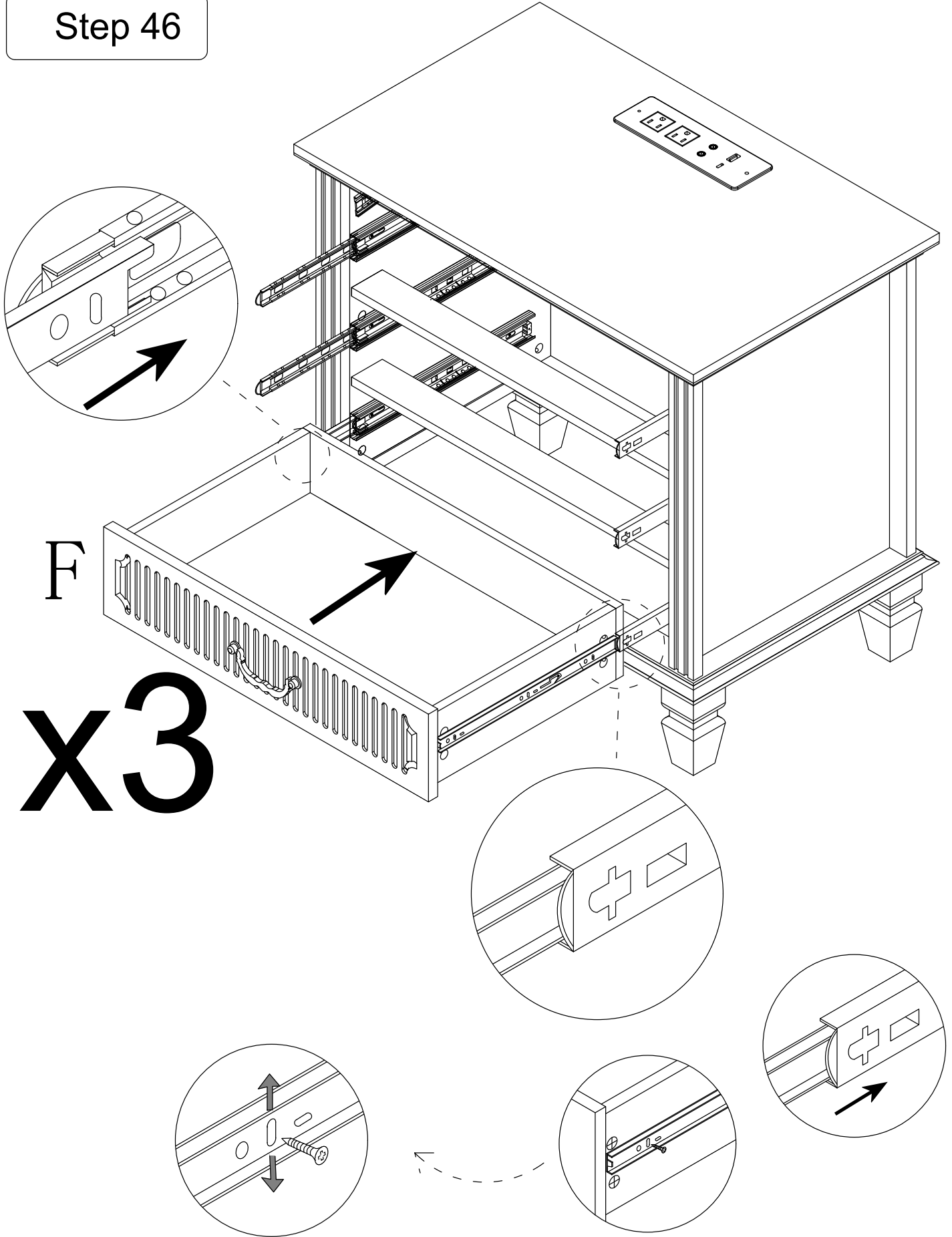


Step 45



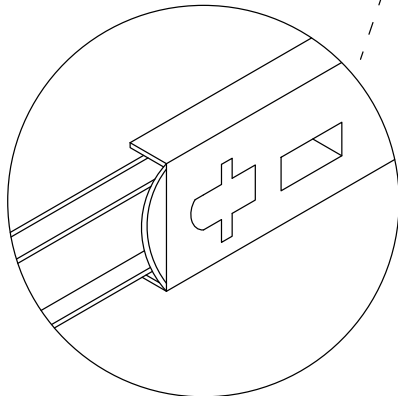
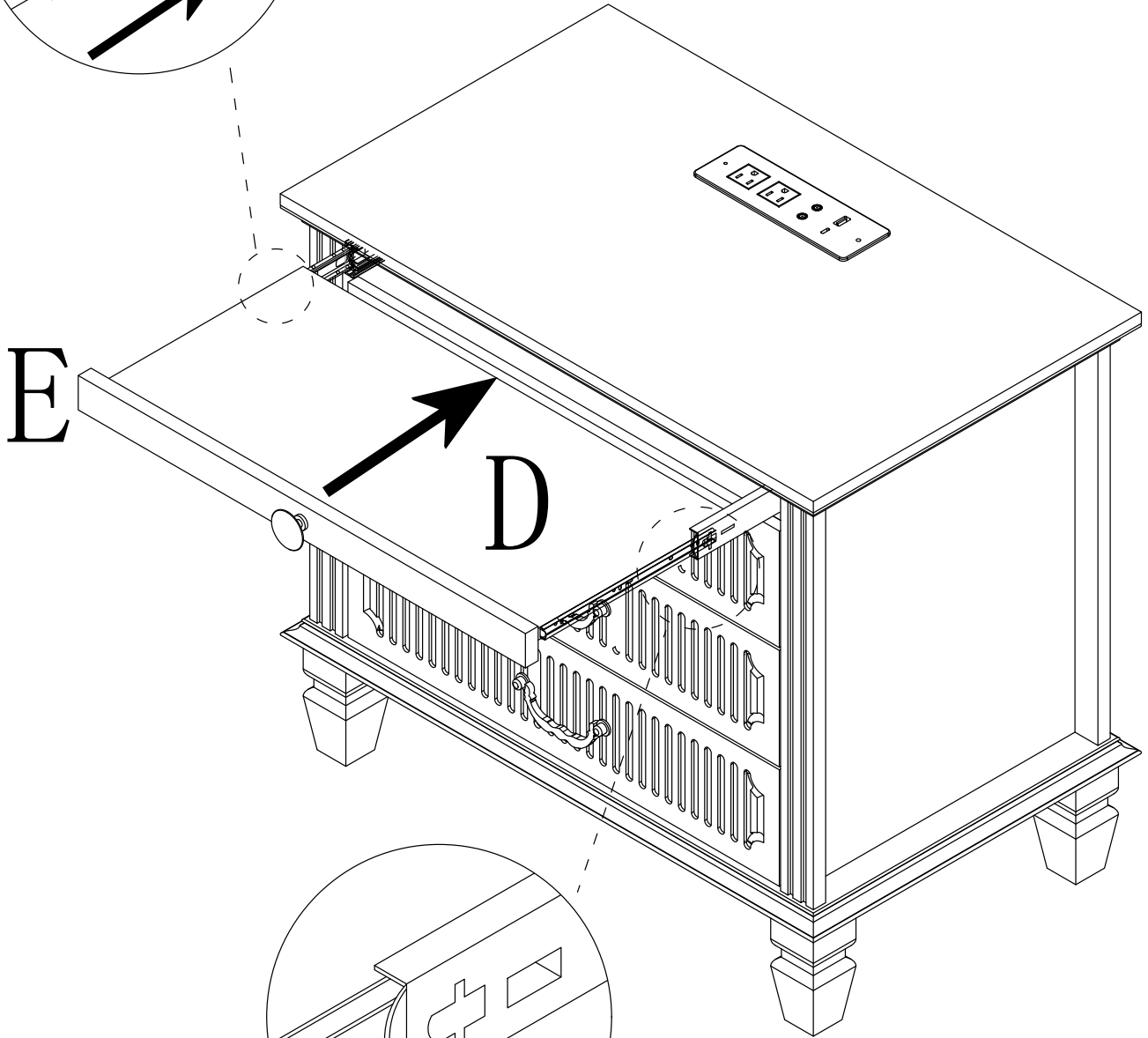
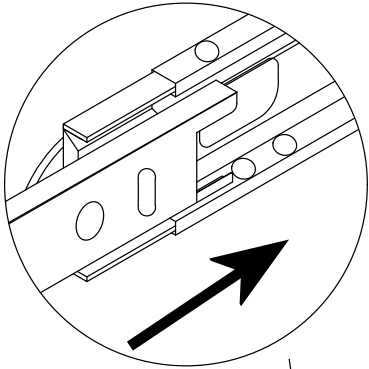
As shown, When installing the drawer,
pull the guide rail out first, Slide beads are also pulled out.

Step 46

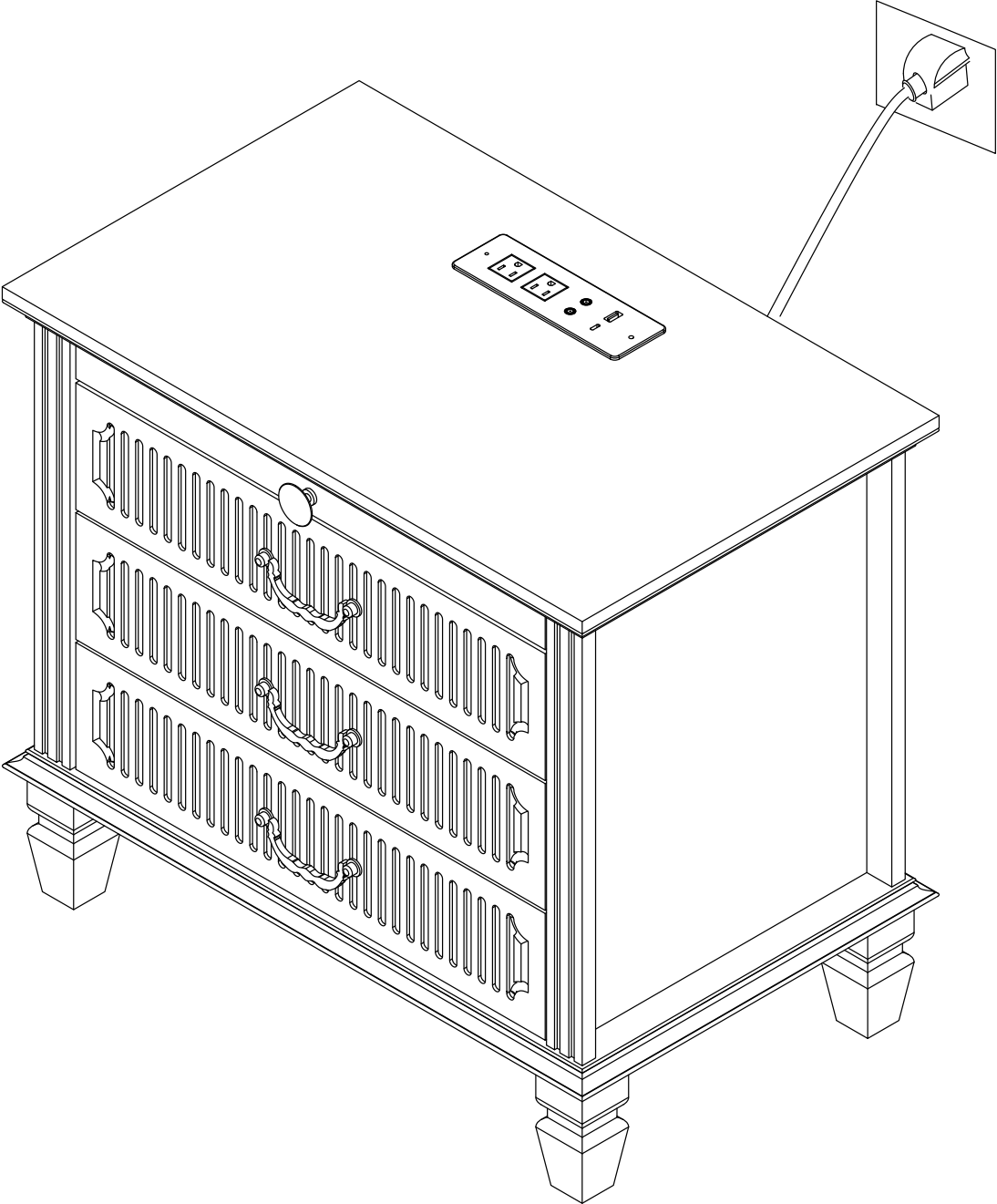


If a large gap is found after installing the drawer the slide rail can be moved up and down to adjust the gap

Step 47



Step 48





User's Guide

Thank you for purchasing this product.

To use this product, please connect it to a power source.

Please use if the product works normally after connecting to power.

Introduction

The box is an intelligent controller. It has 1 USB output port 1 Type-c port .

With 2 touch buttons, it can turn. ON/OFF the light, change light colors, and adjust the light luminance.it can and turn ON/OFF the induction function.

Operation



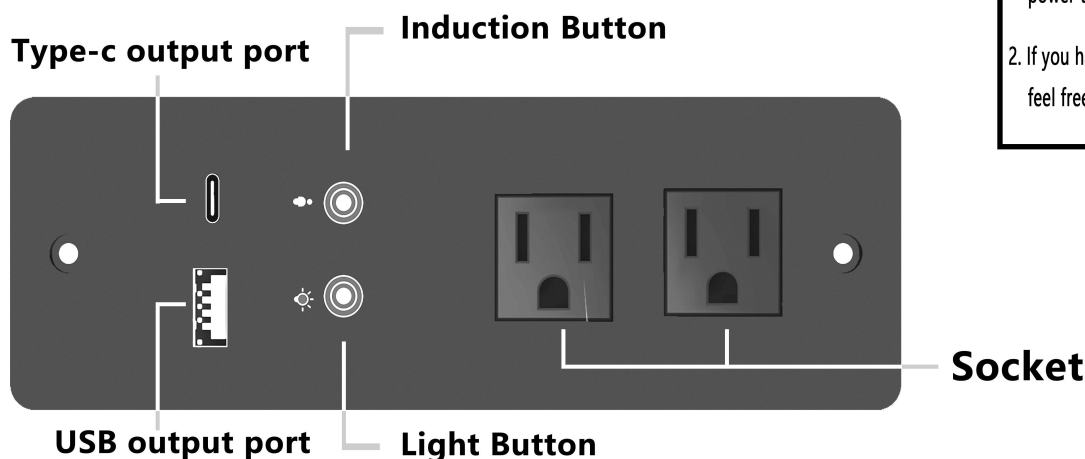
This touch button is used to turn on/off, change colors, and adjust brightness.

- A. Short touch -> lighting on -> short touch -> change light color -> short touch -> change light color -> short touch -> lighting off.
- B. Long touch -> adjust the luminance. (The brightness of each color can be adjusted individually)



This touch button is used to turn on/off the induction function.

- A. Short touch to turn on the induction function. It can auto-turn on the light when people are close to the controller in 1 meters. It can auto power off the light when the body is far away from the controller after 30 seconds.
- B. Long touch to turn off the induction function.
- C. Note: When you touch the light button to change the light modes, the induction function will automatically turn off. It is best to turn on this function after selecting the light color and adjusting the brightness you want.



ATTENTION PLEASE

1. If there is no touch response suddenly, Re-plug the power to reset the touch static electricity.
2. If you have any questions when installing, please feel free to contact us. Thank you.