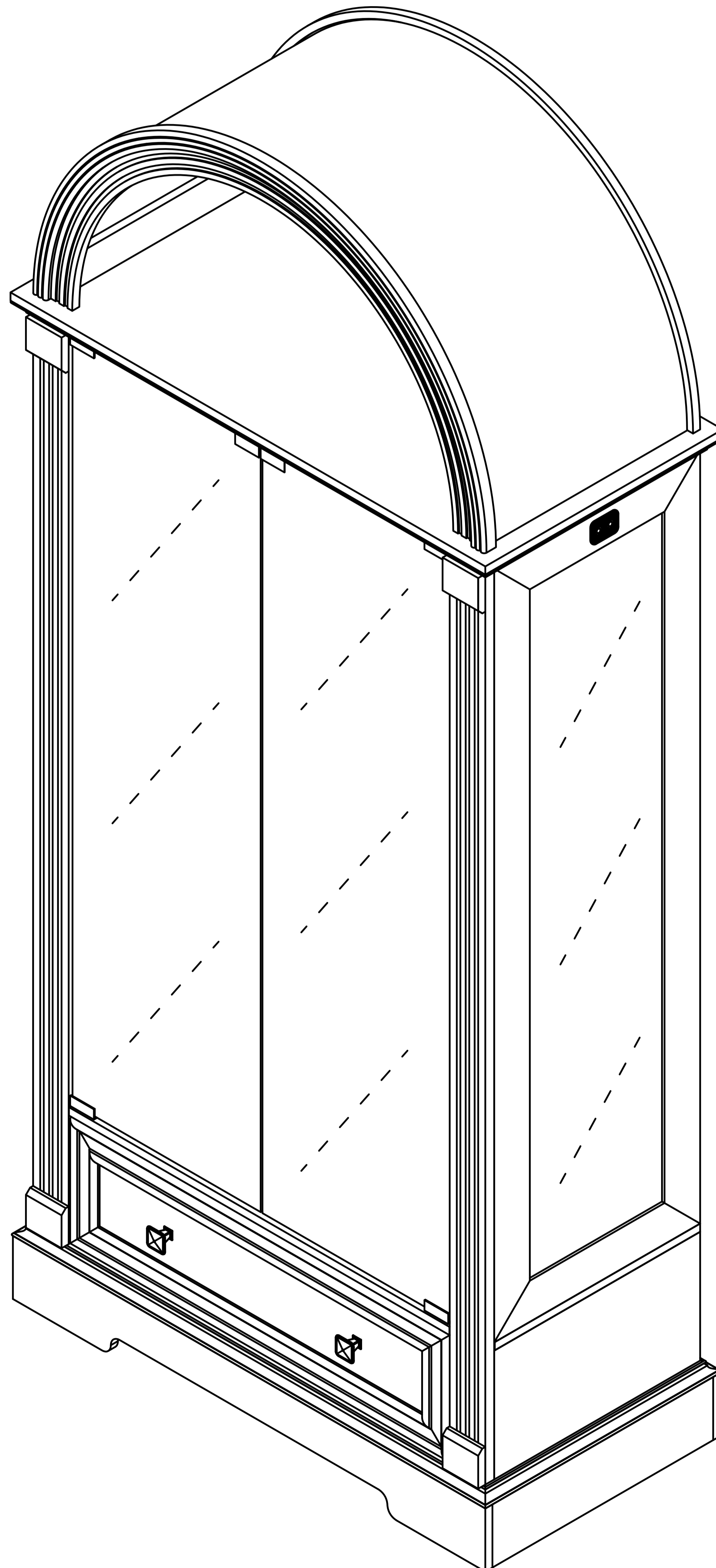
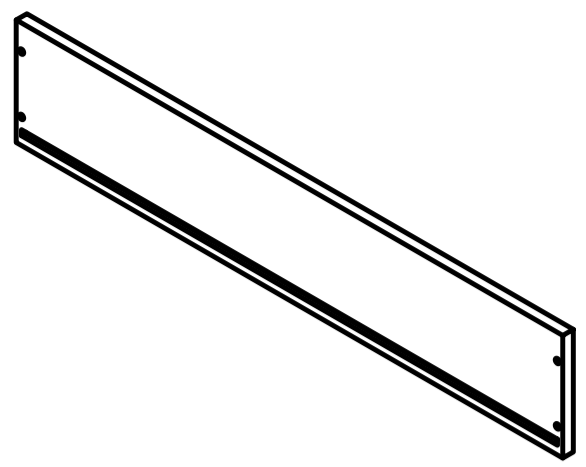
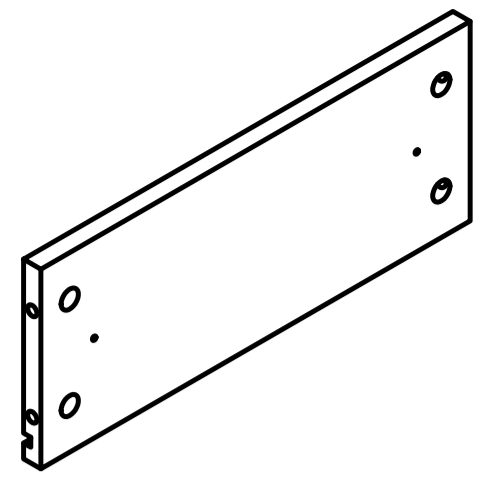


# 97063 Product Installation Instructions

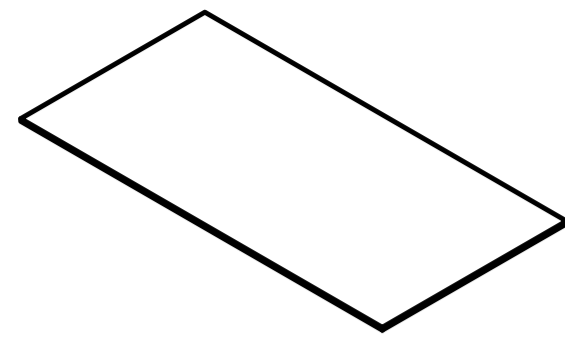




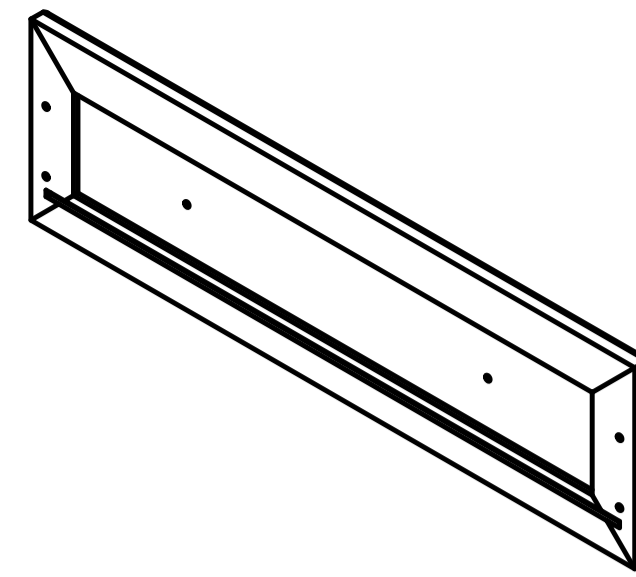
1x1



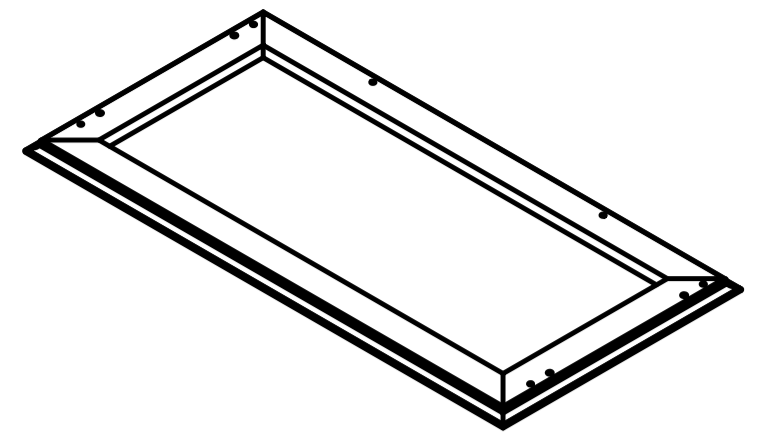
2x2



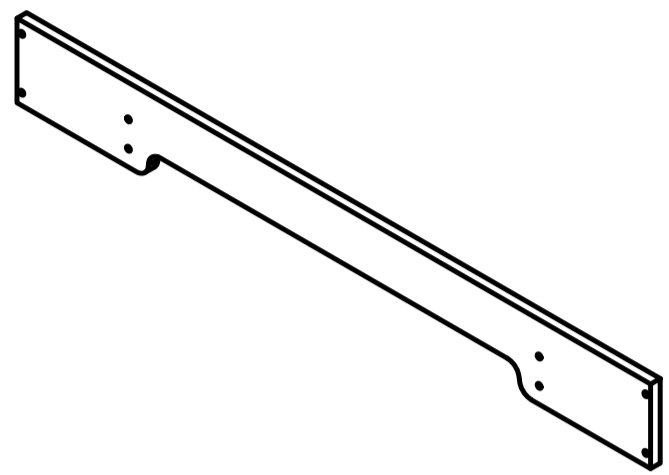
3x1



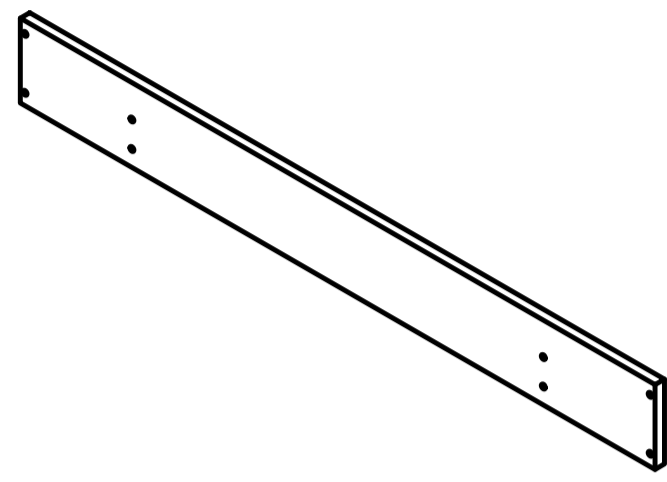
4x1



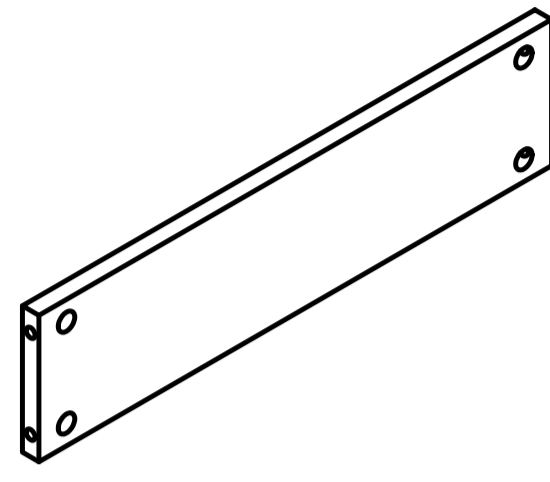
5x1



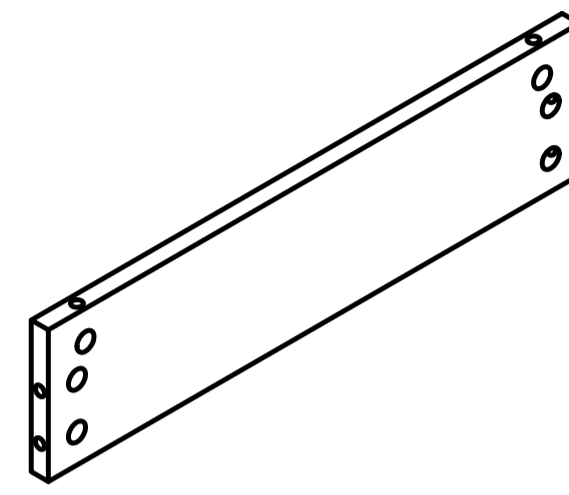
6x1



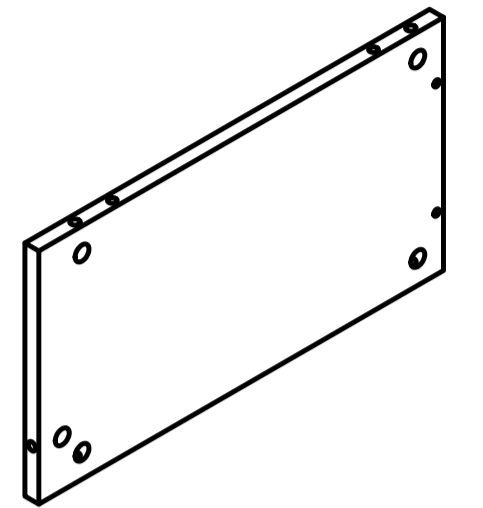
7x1



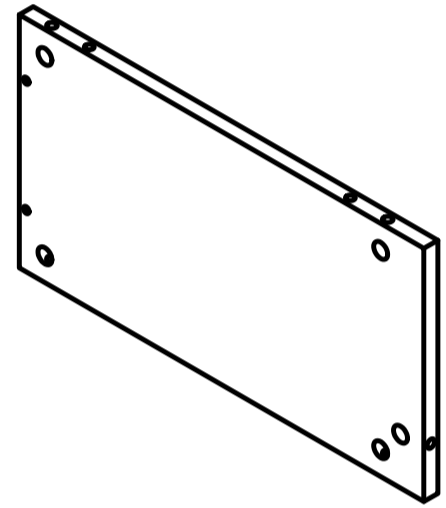
8x2



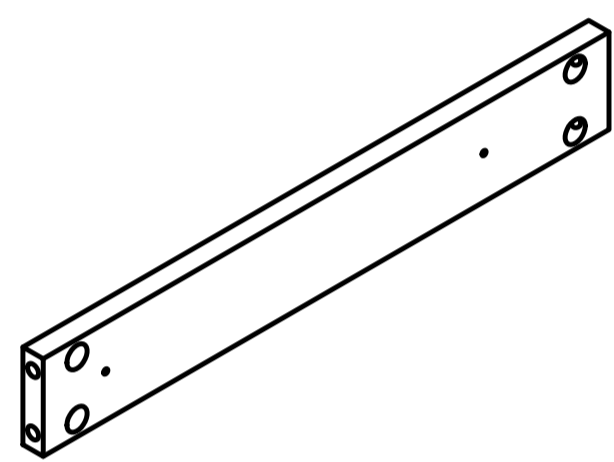
9x2



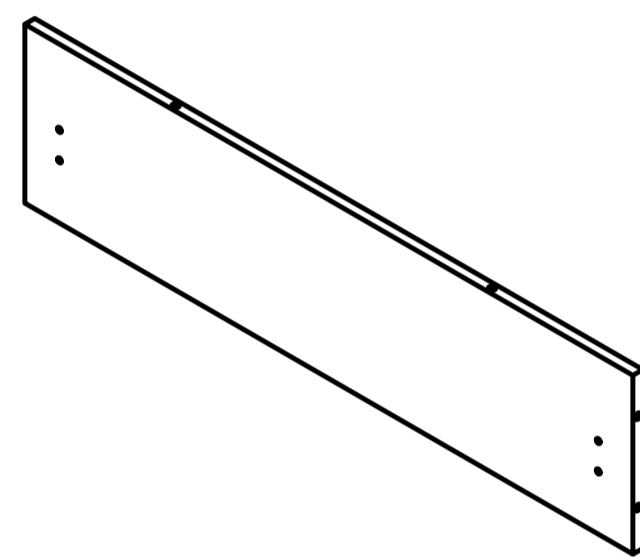
10x1



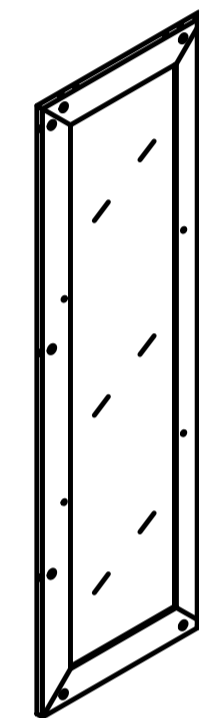
11x1



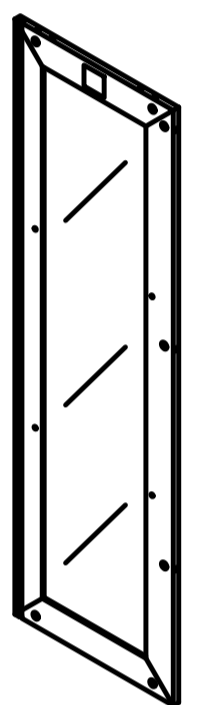
12x2



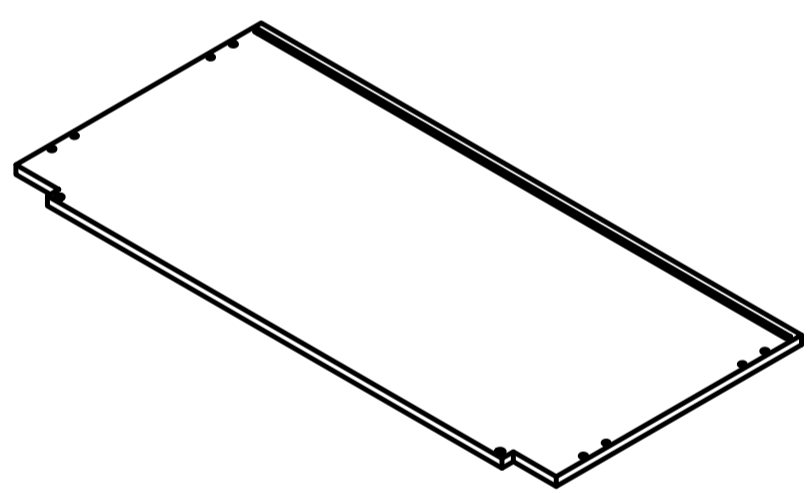
13x1



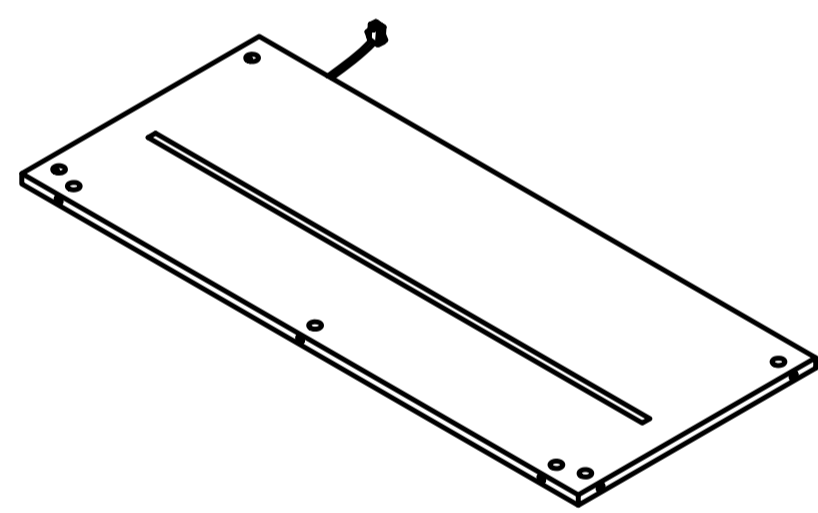
14x1



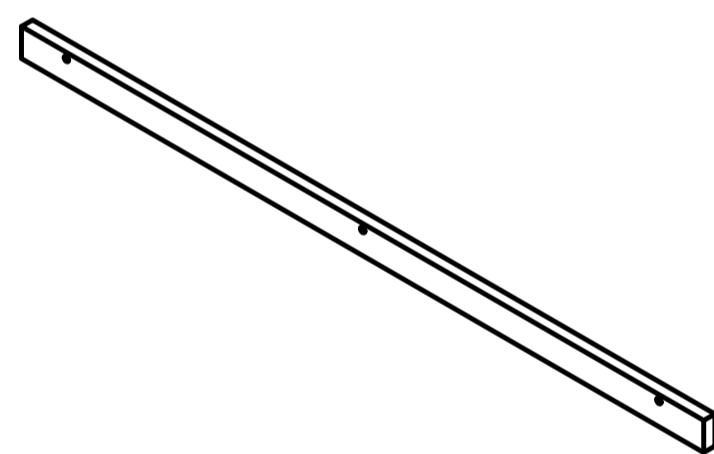
15x1



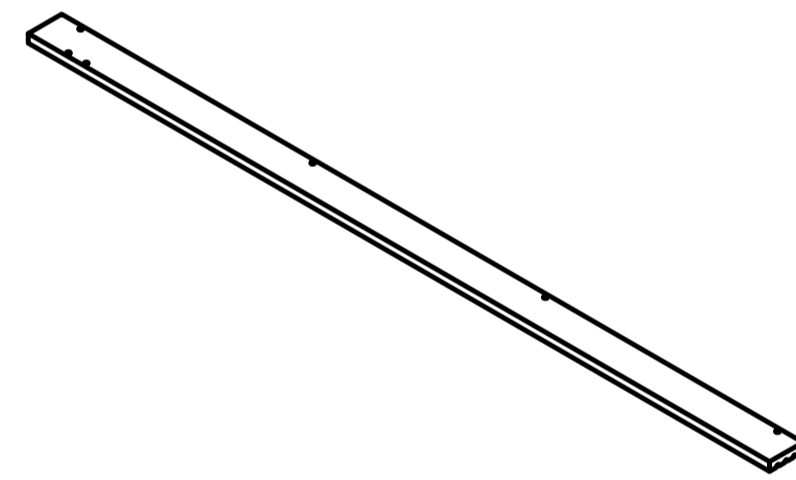
16x1



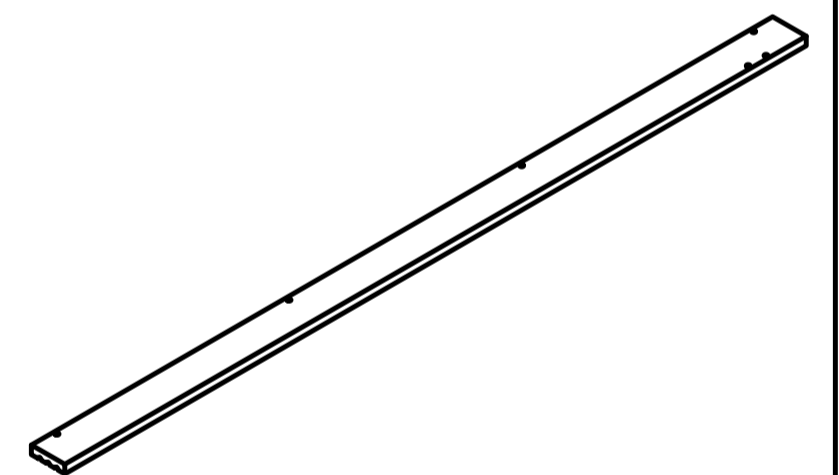
17x2



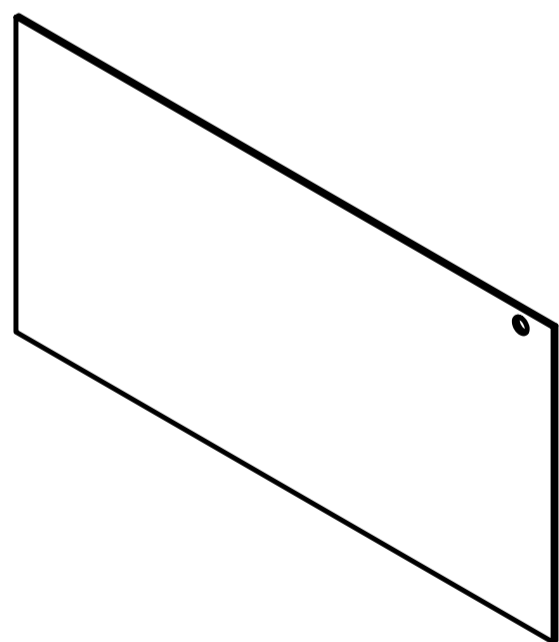
18x2



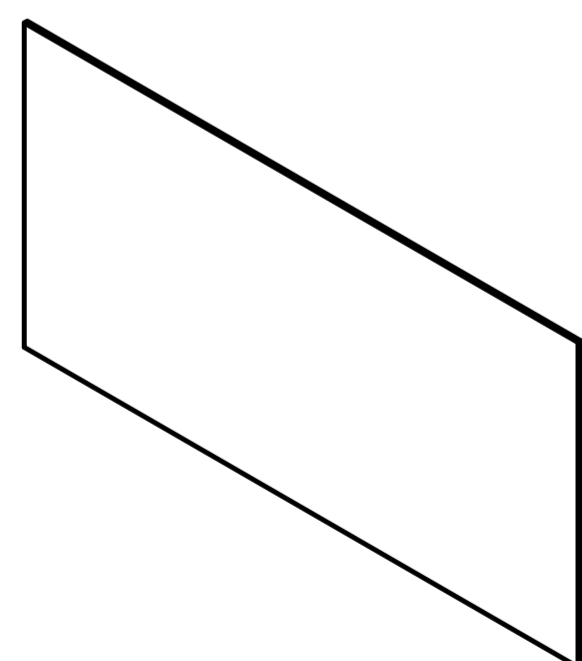
19x1



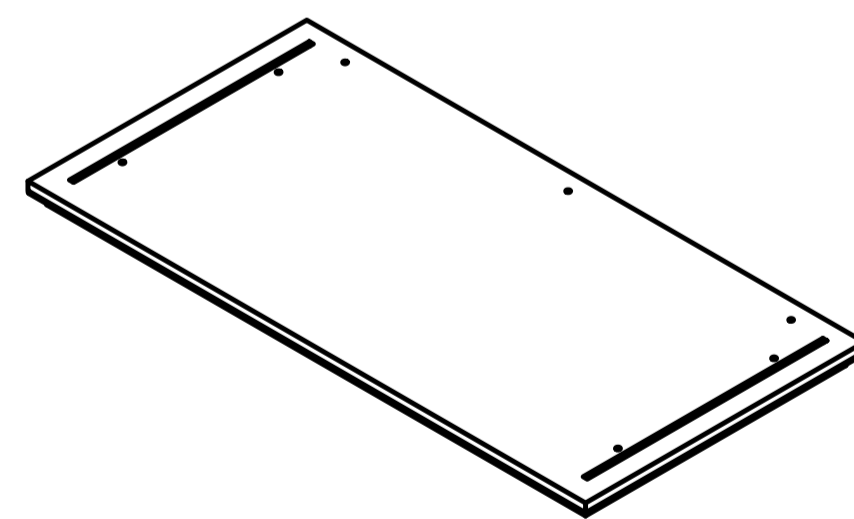
20x1



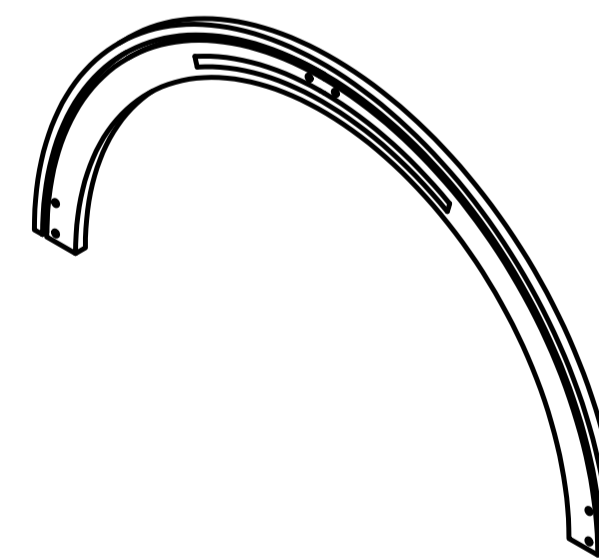
21x2



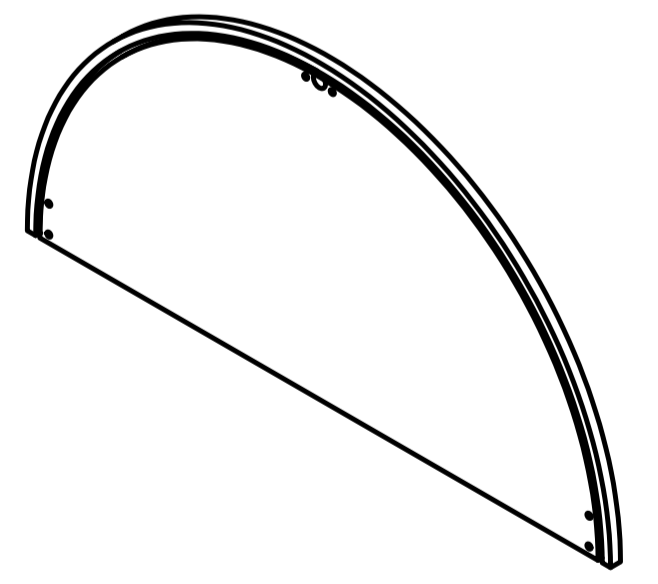
22x1



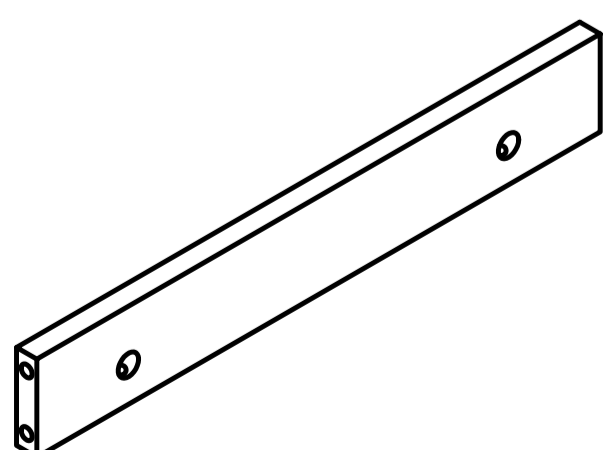
23x1



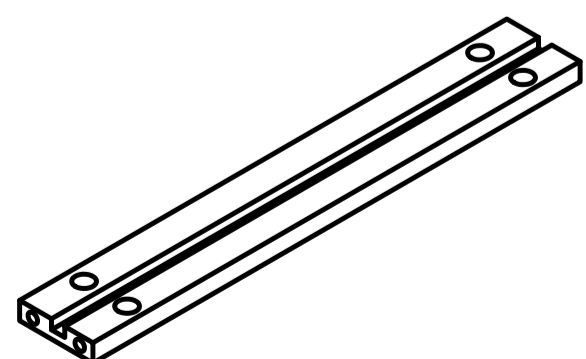
24x1



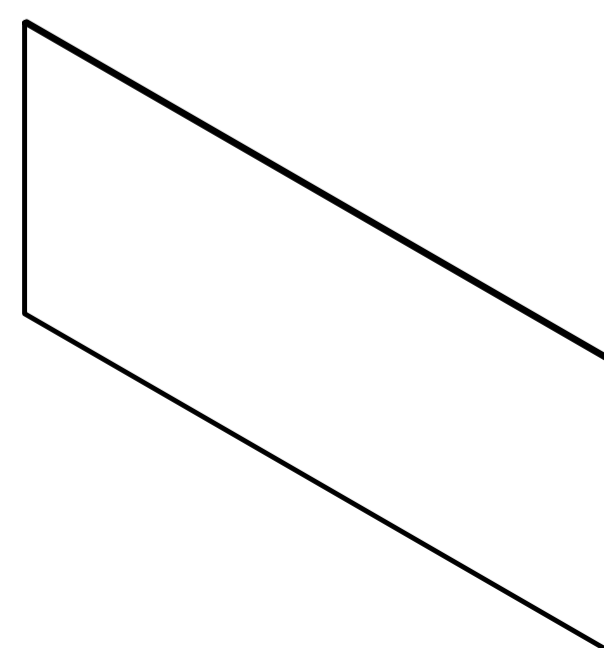
25x1



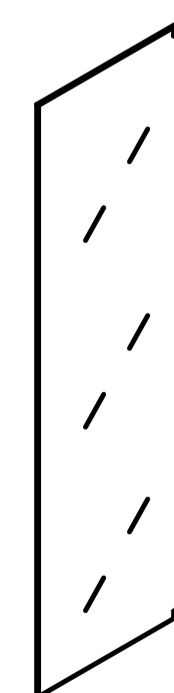
26x2



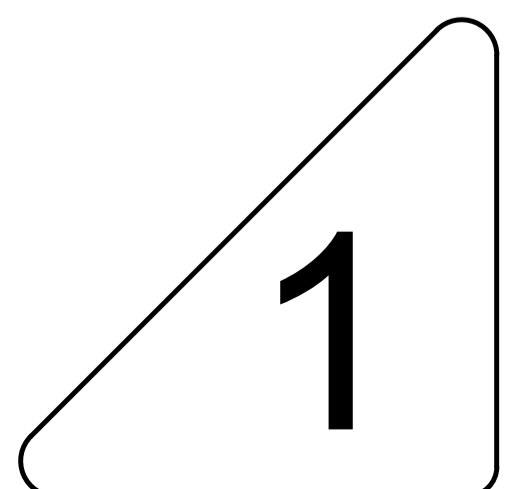
27x1



28x1

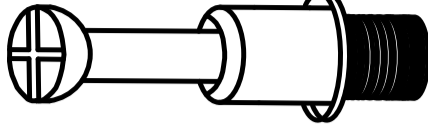


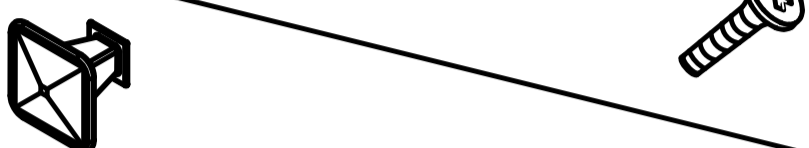
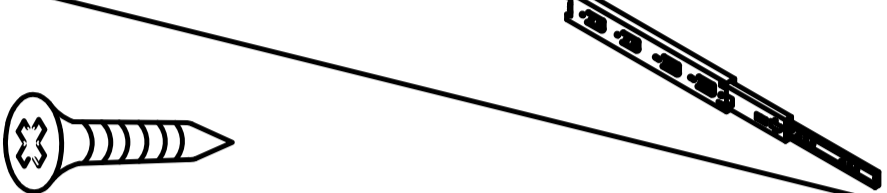

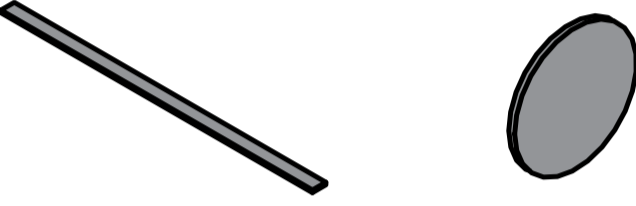
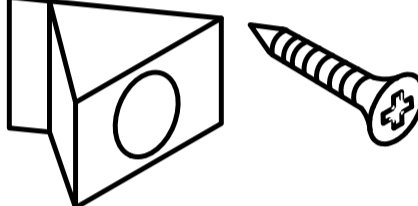
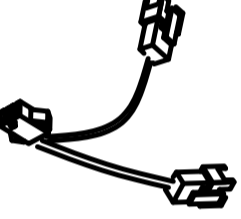



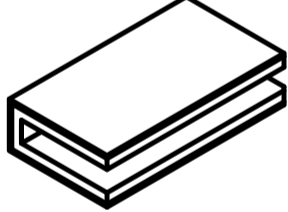
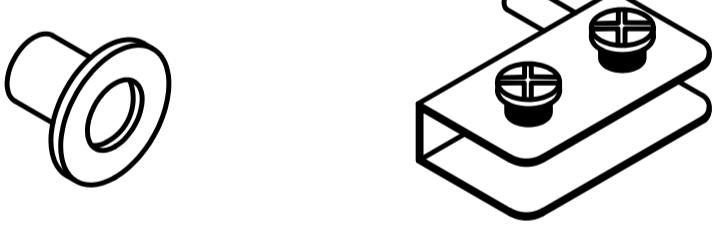
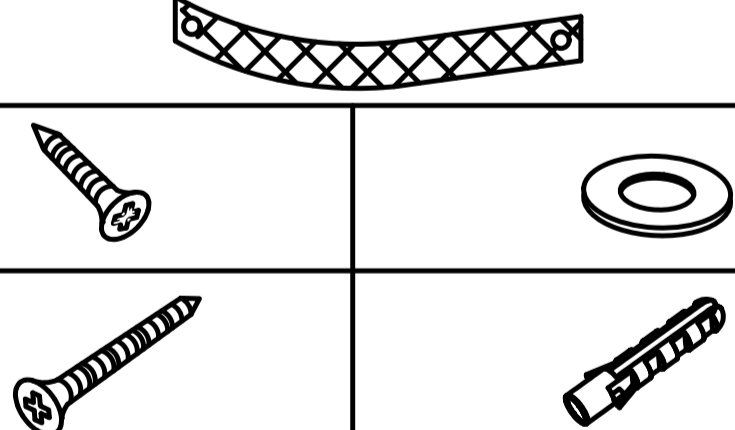
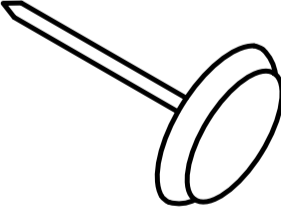
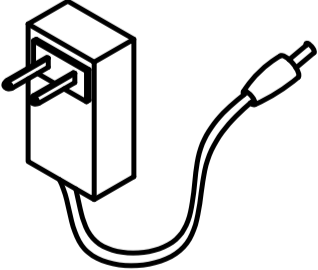


29x2

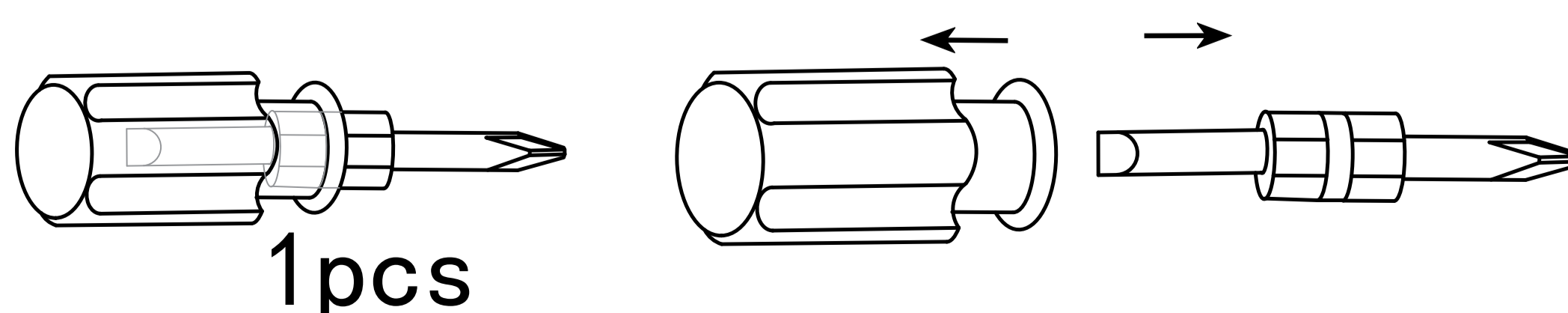


1

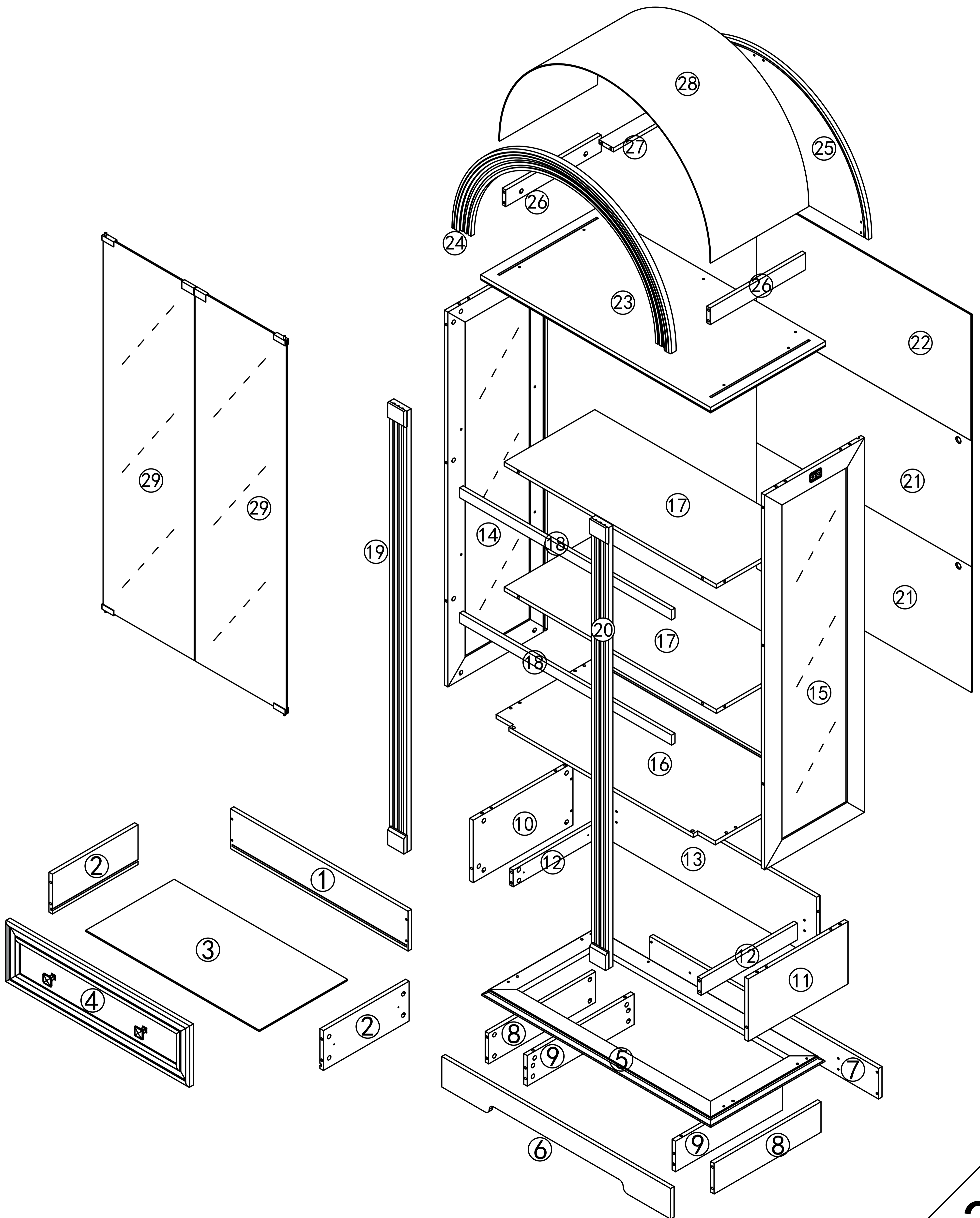
# Accessories list

A		Two in one screw (6x28mm)	101pcs +6pcs	
B		Two in one nut (10x12mm)	101pcs +6pcs	
C		Wood chipping (6x30mm)	16pcs +4pcs	
D		Handle & Screw (4x8mm)	2pcs	2pcs +1pcs
E		Screw & Guide (3x12mm)	10pcs +2pcs	2pcs
F		Wire	1pcs	
G		Sticker (φ 20mm)	1pcs	4pcs +2pcs
H		Fixing Clip & Screw (3x16mm)	10pcs +2pcs	
I		Forked line	2pcs	
J		Wire Clamp	3pcs +2pcs	
K		Non-slip pads	5pcs +1pcs	
L		Rebound device & Screw (3x16mm)	1pcs	4pcs +1pcs
L		Iron sheet	2pcs	
L		Hinge	4pcs	
M		anti-tipping tape Screw & gasket (3.5x14mm) Screw (4x45mm)	1pcs	2pcs 1pcs
N		Foot nail	4pcs	
		AC/DC Adapter (12V=3.0A)	1pcs	

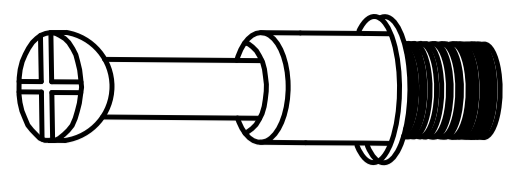
Double-head screwdriver, use as required



# Product structure decomposition

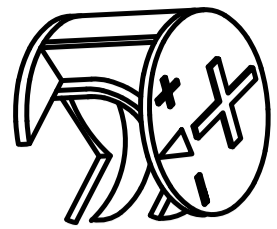


A



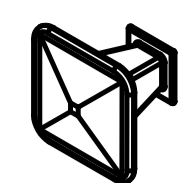
8pcs

B



8pcs

D

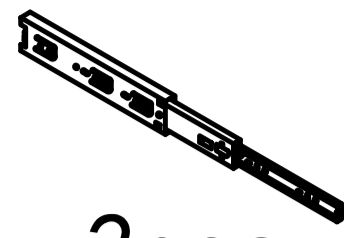


2pcs

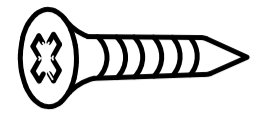


2pcs

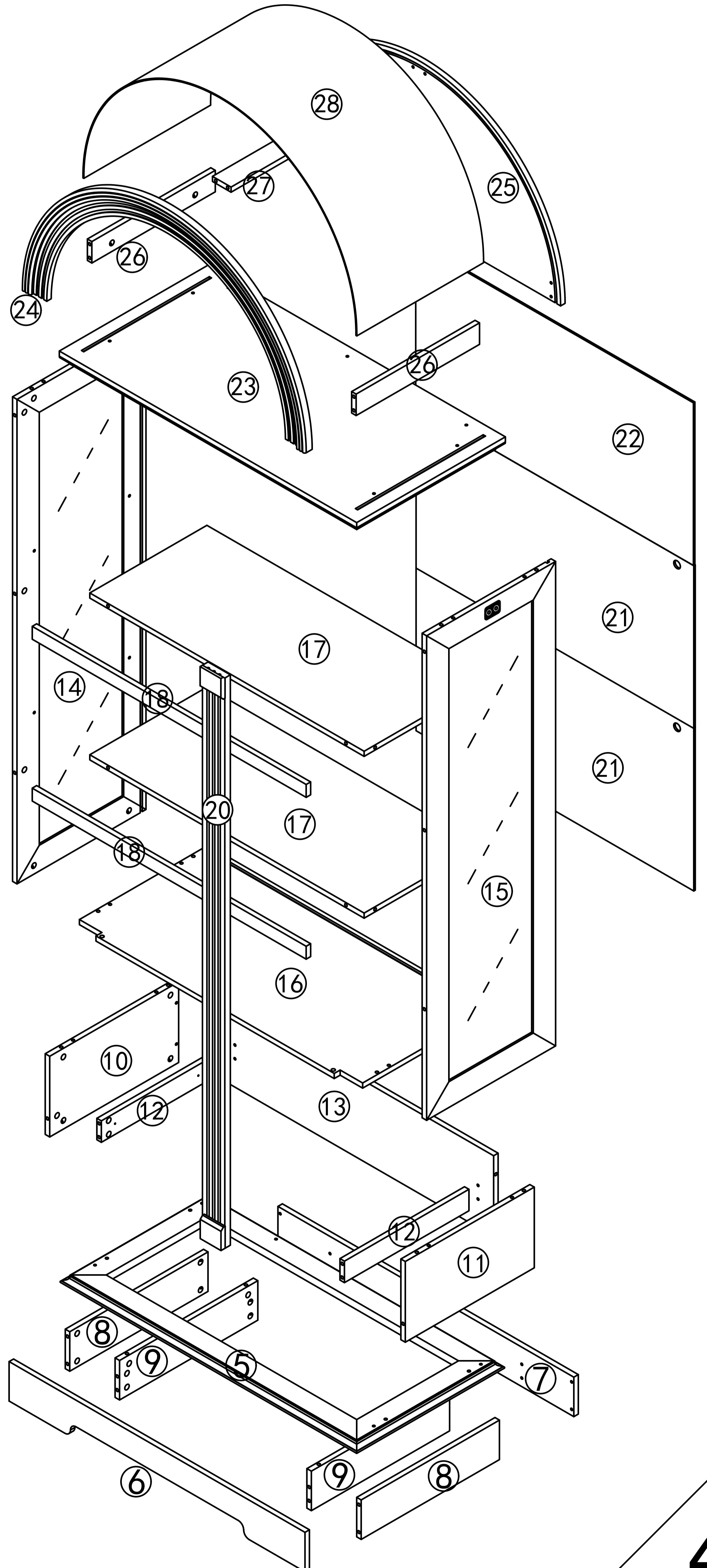
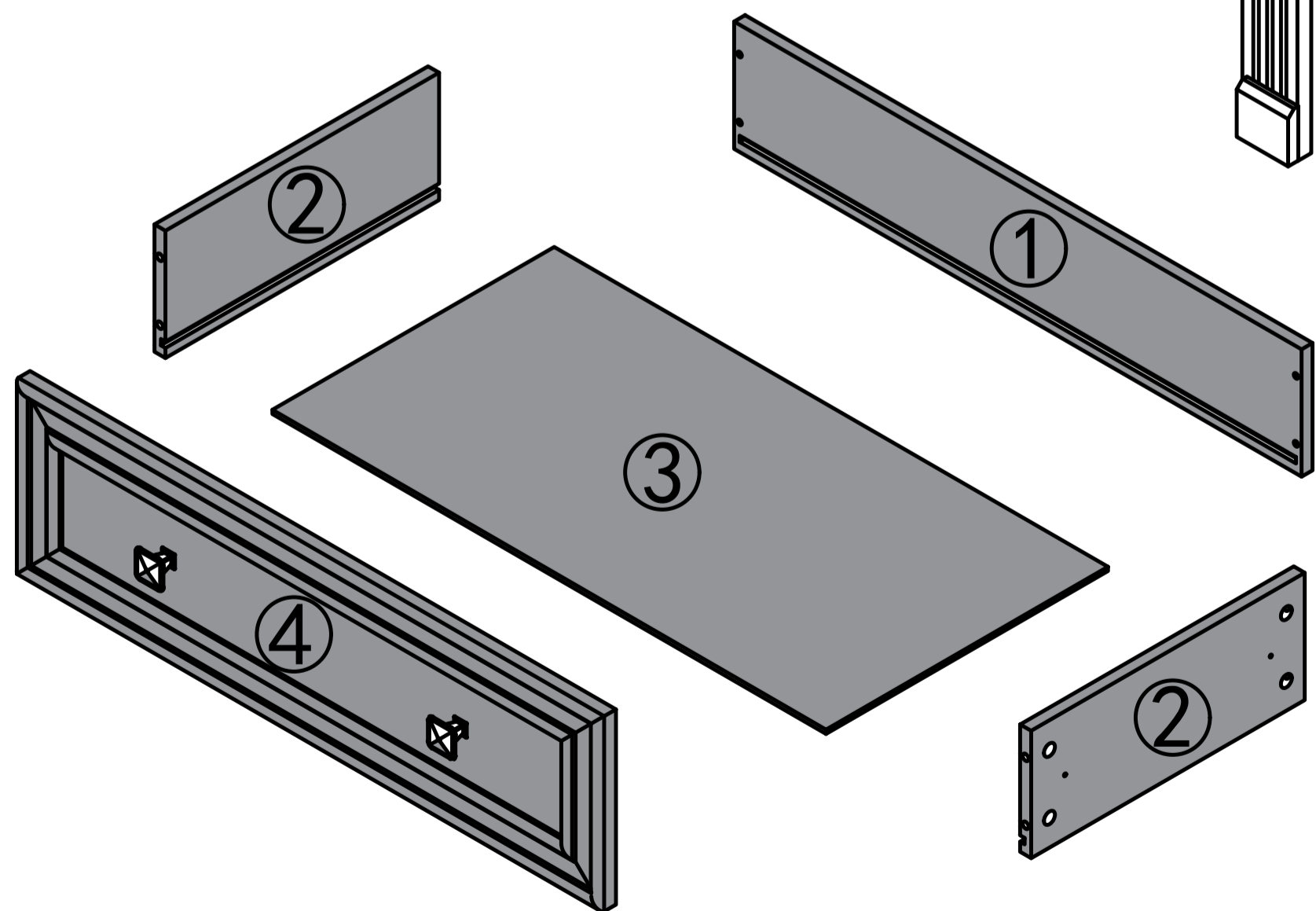
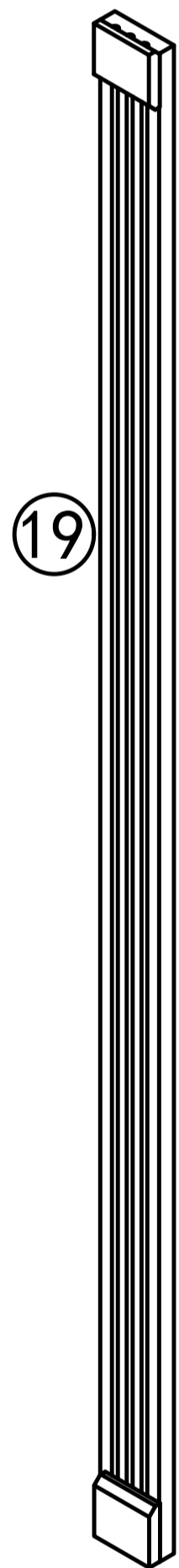
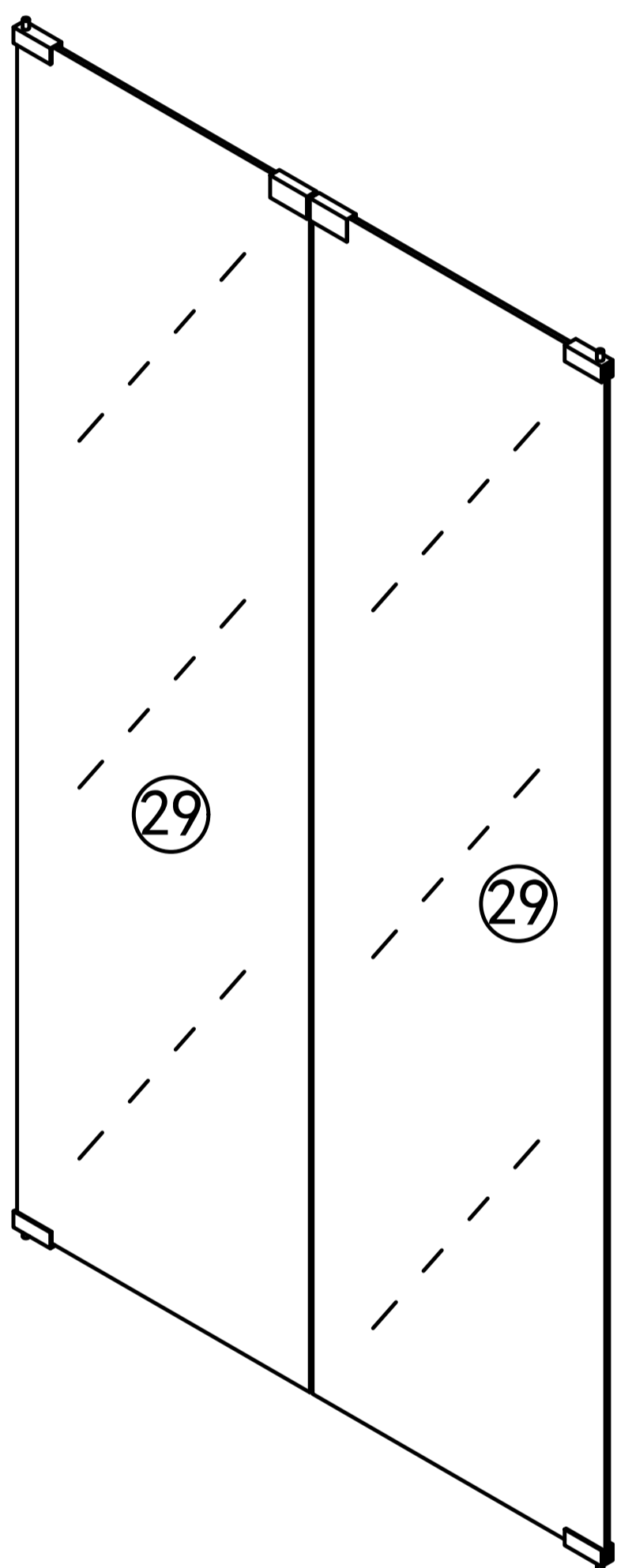
E



2pcs

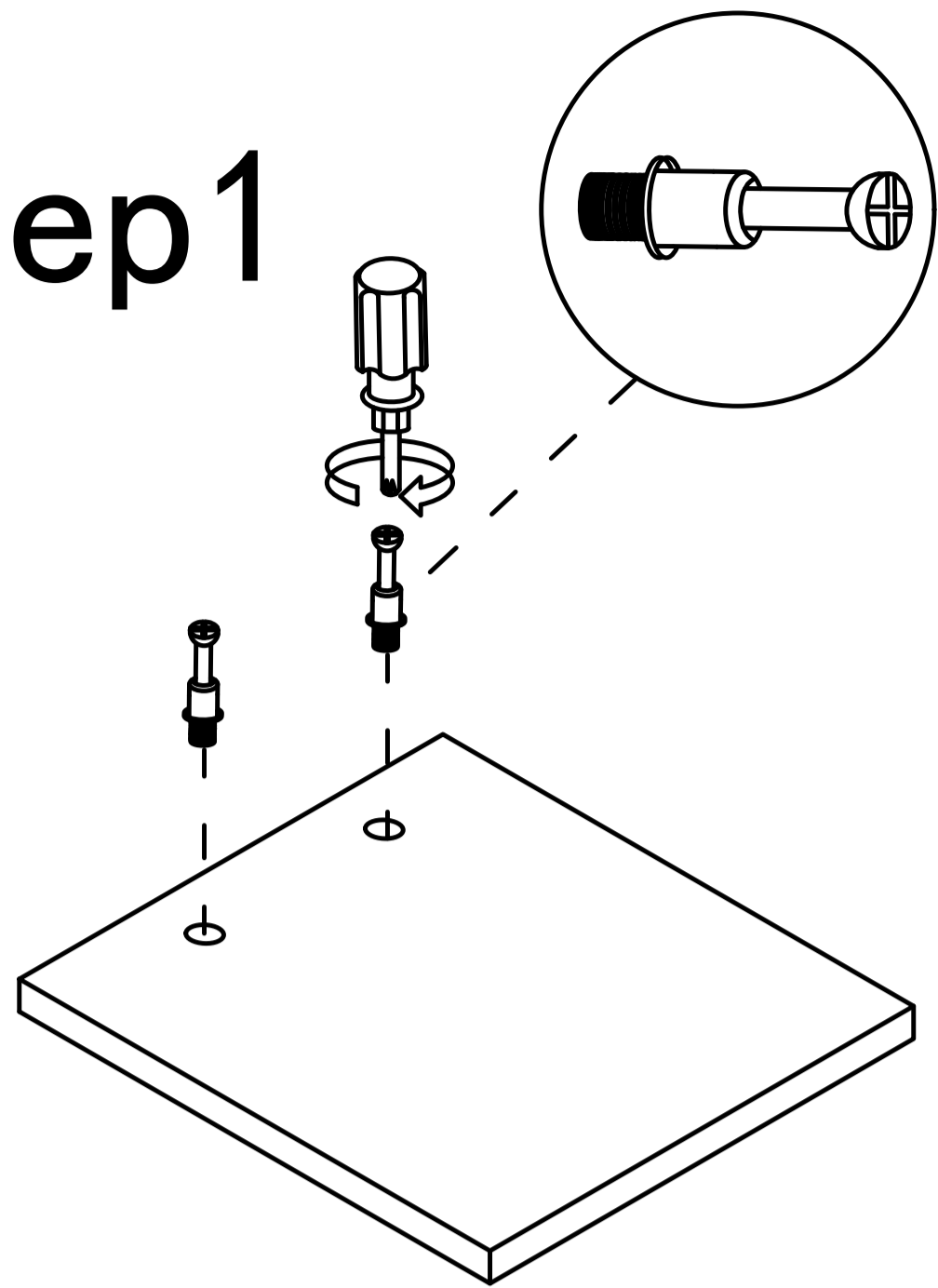


4pcs

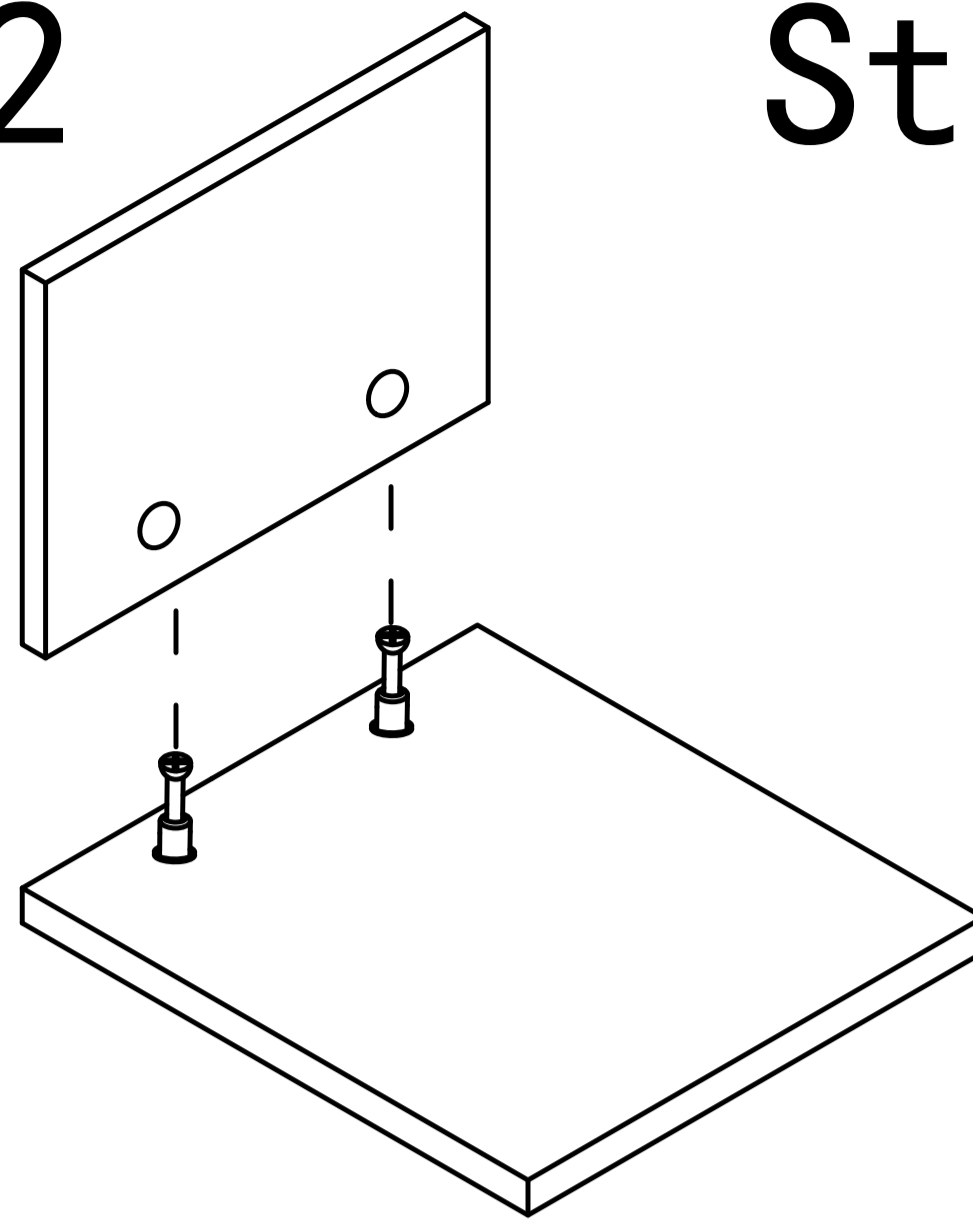


# Screw installation method

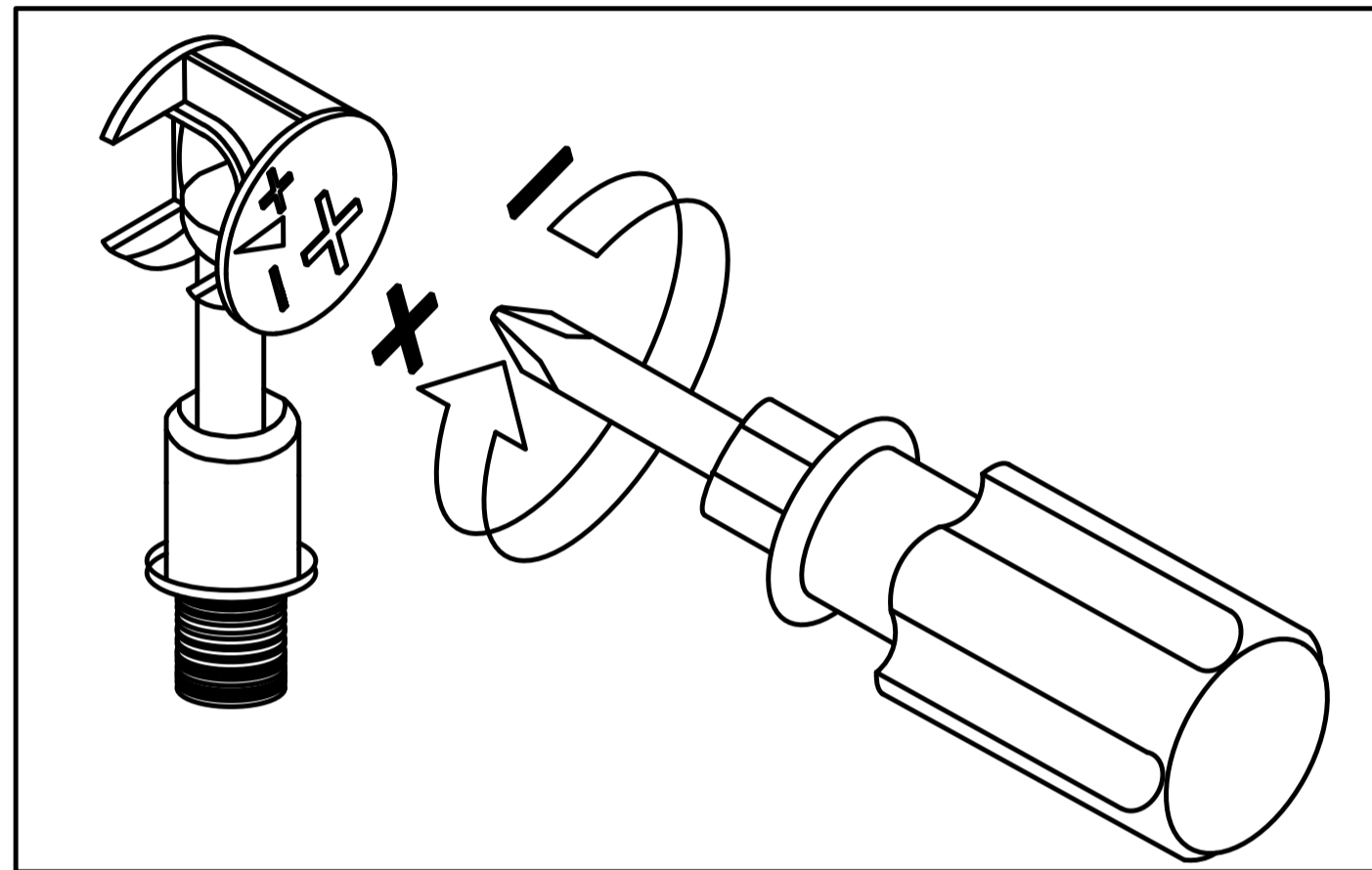
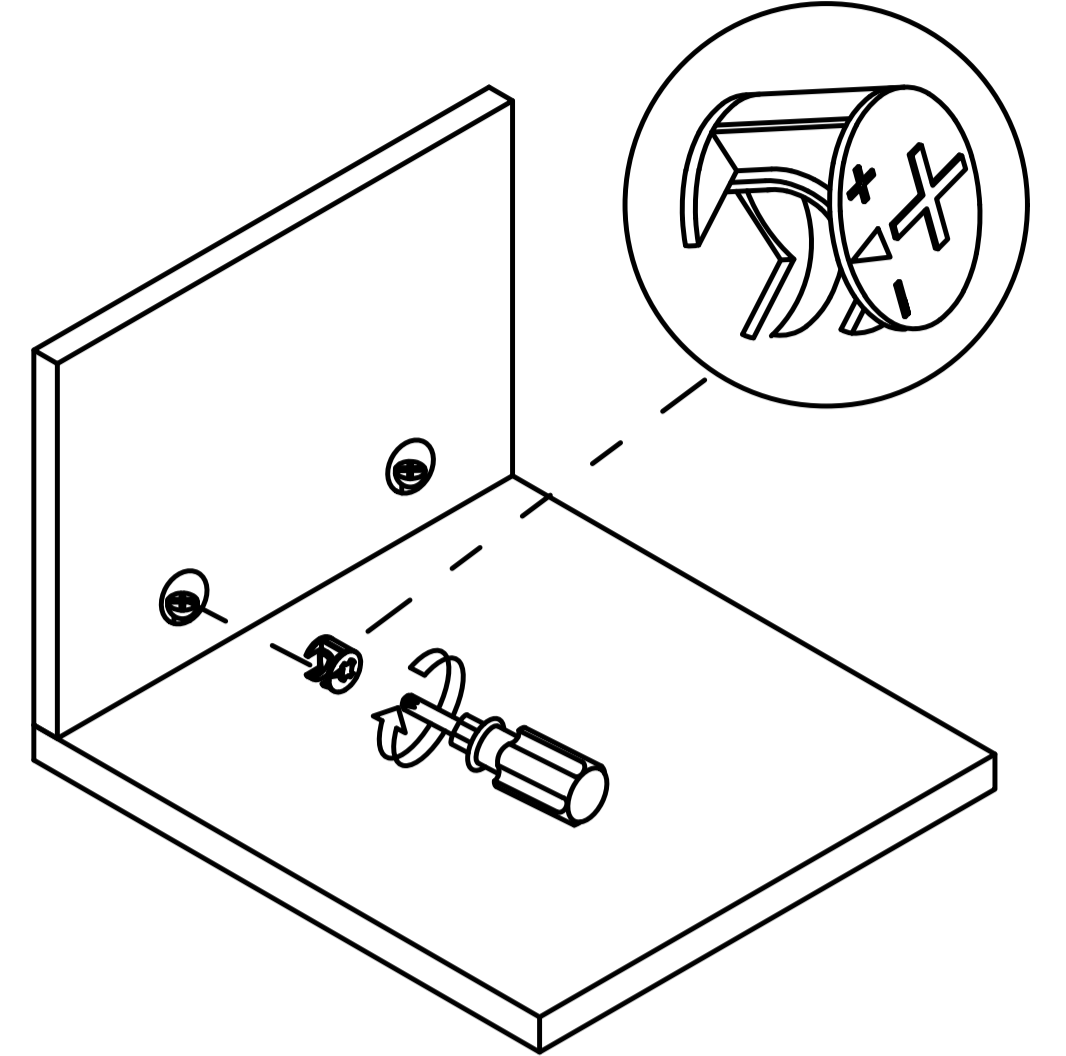
Step1



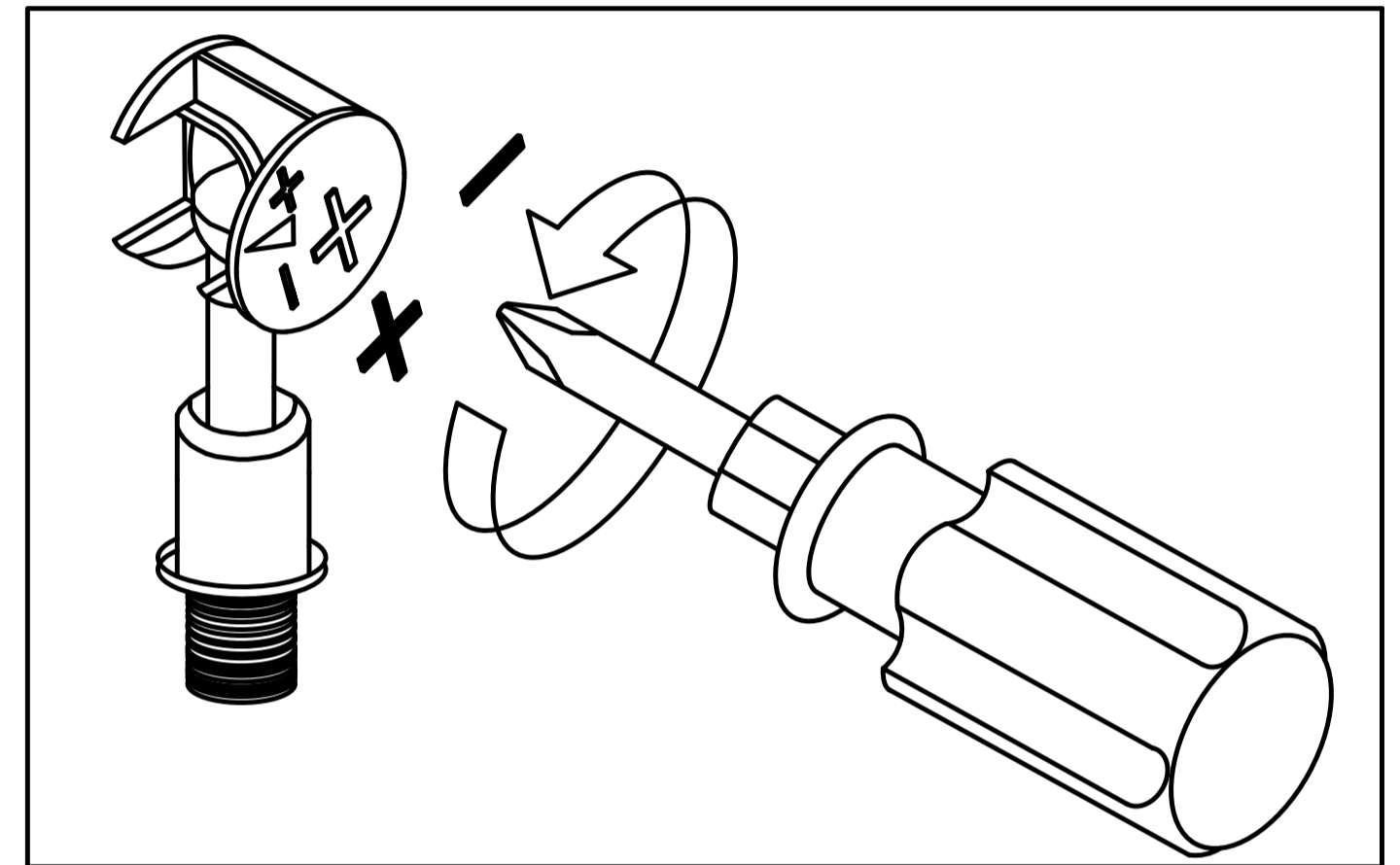
Step2



Step3

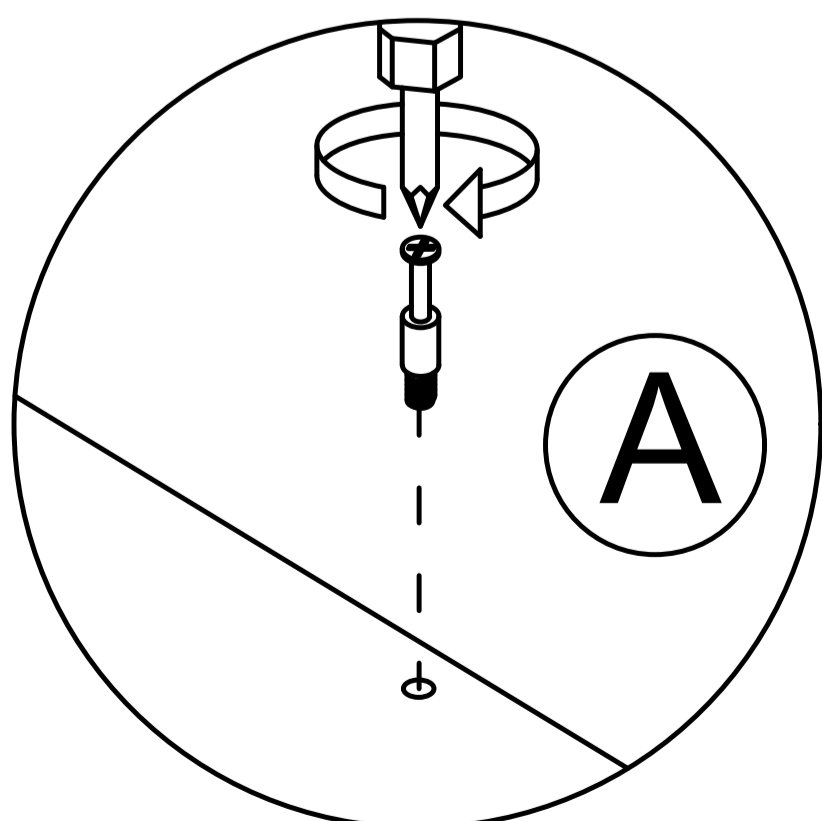
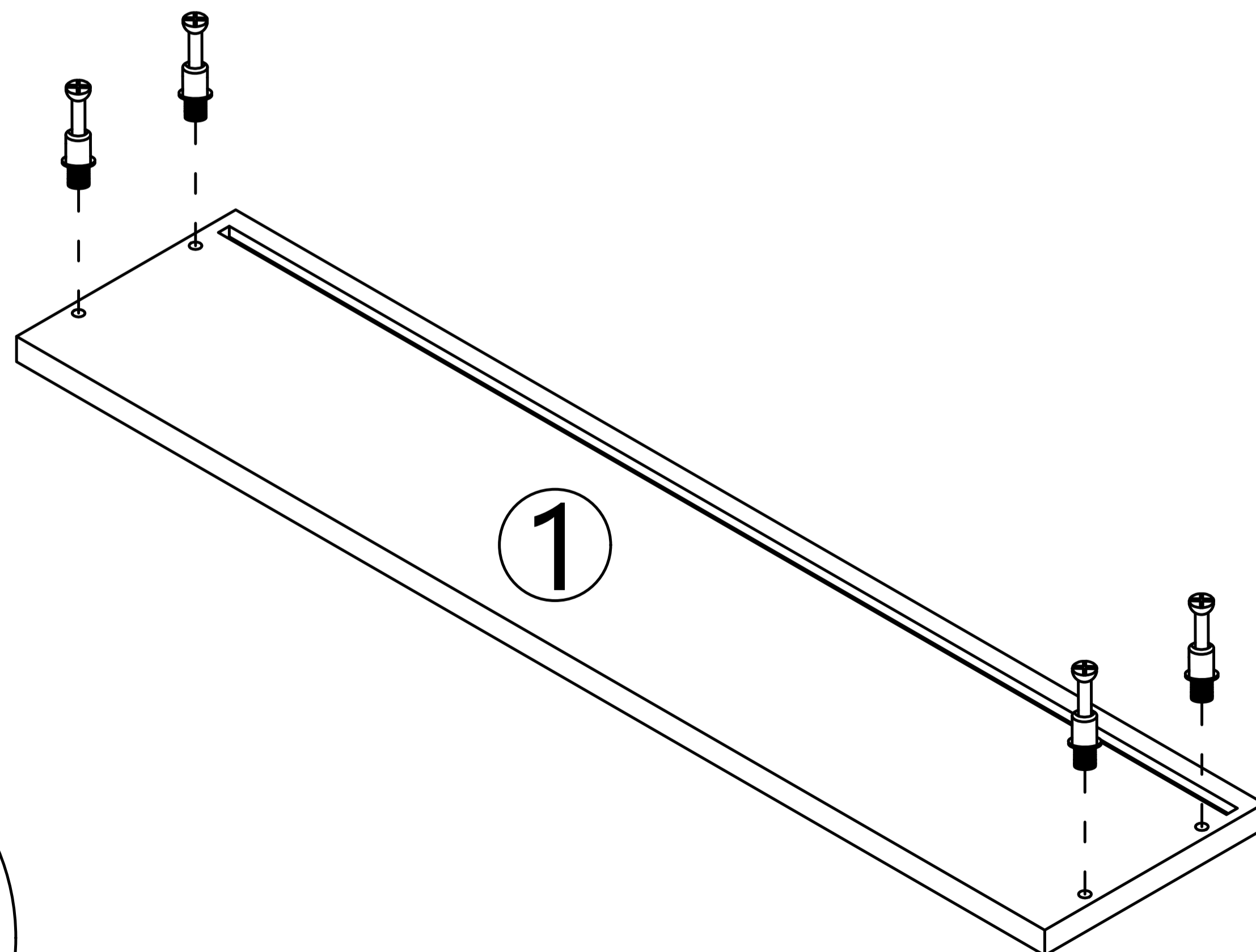
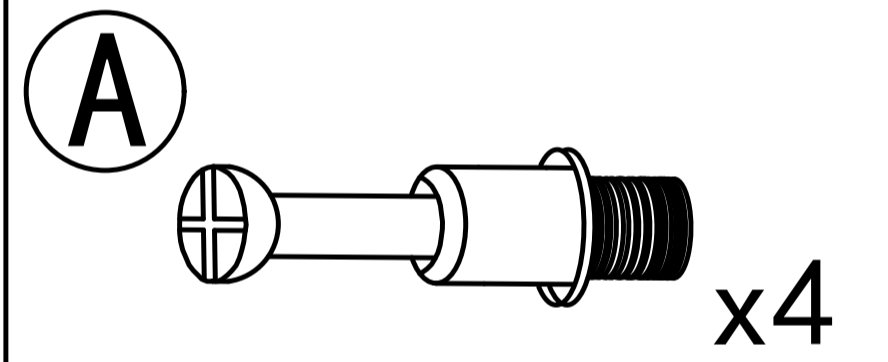


Use a screwdriver to lock in the direction of the "+" sign



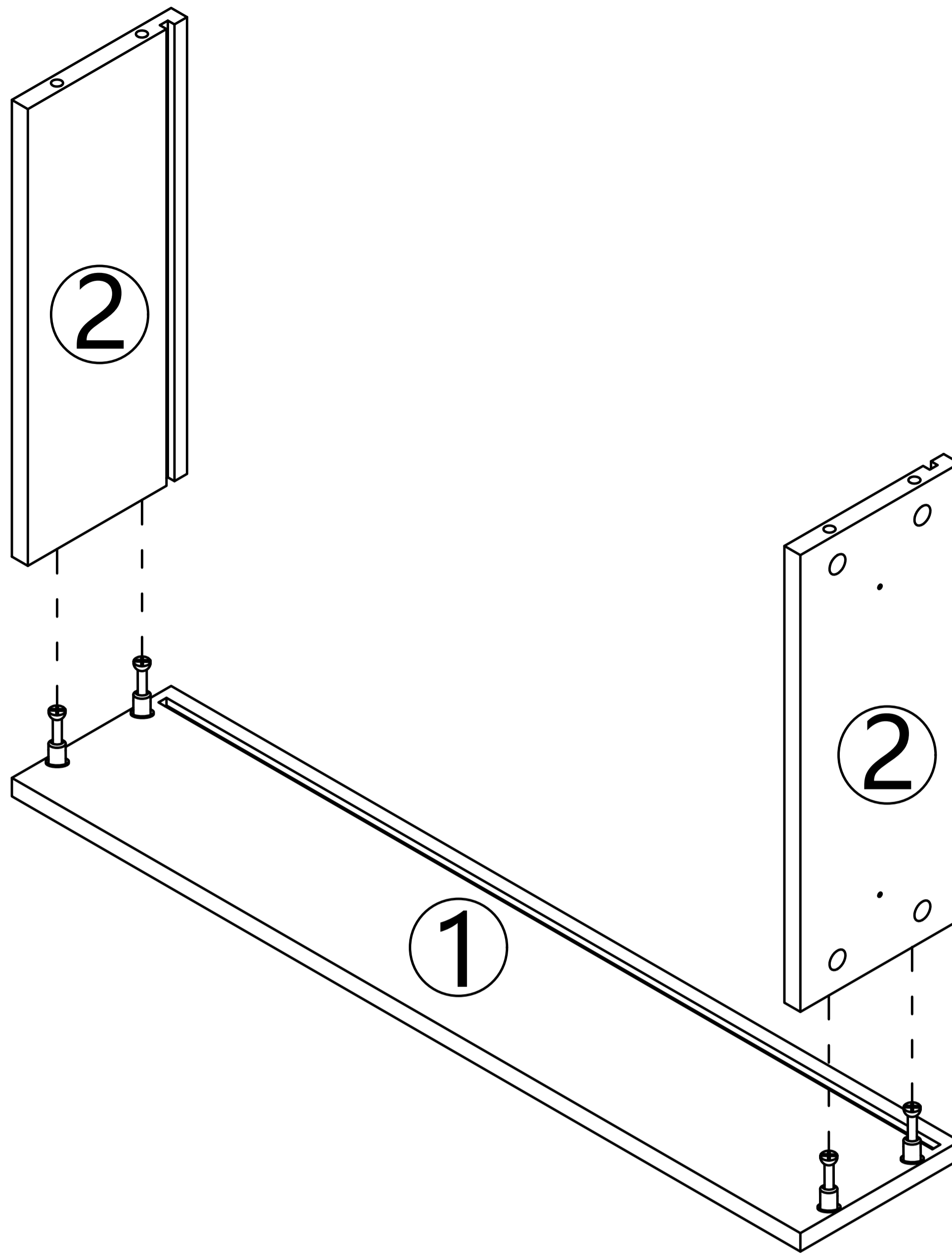
Disassemble along the direction of "-" sign

Step 1

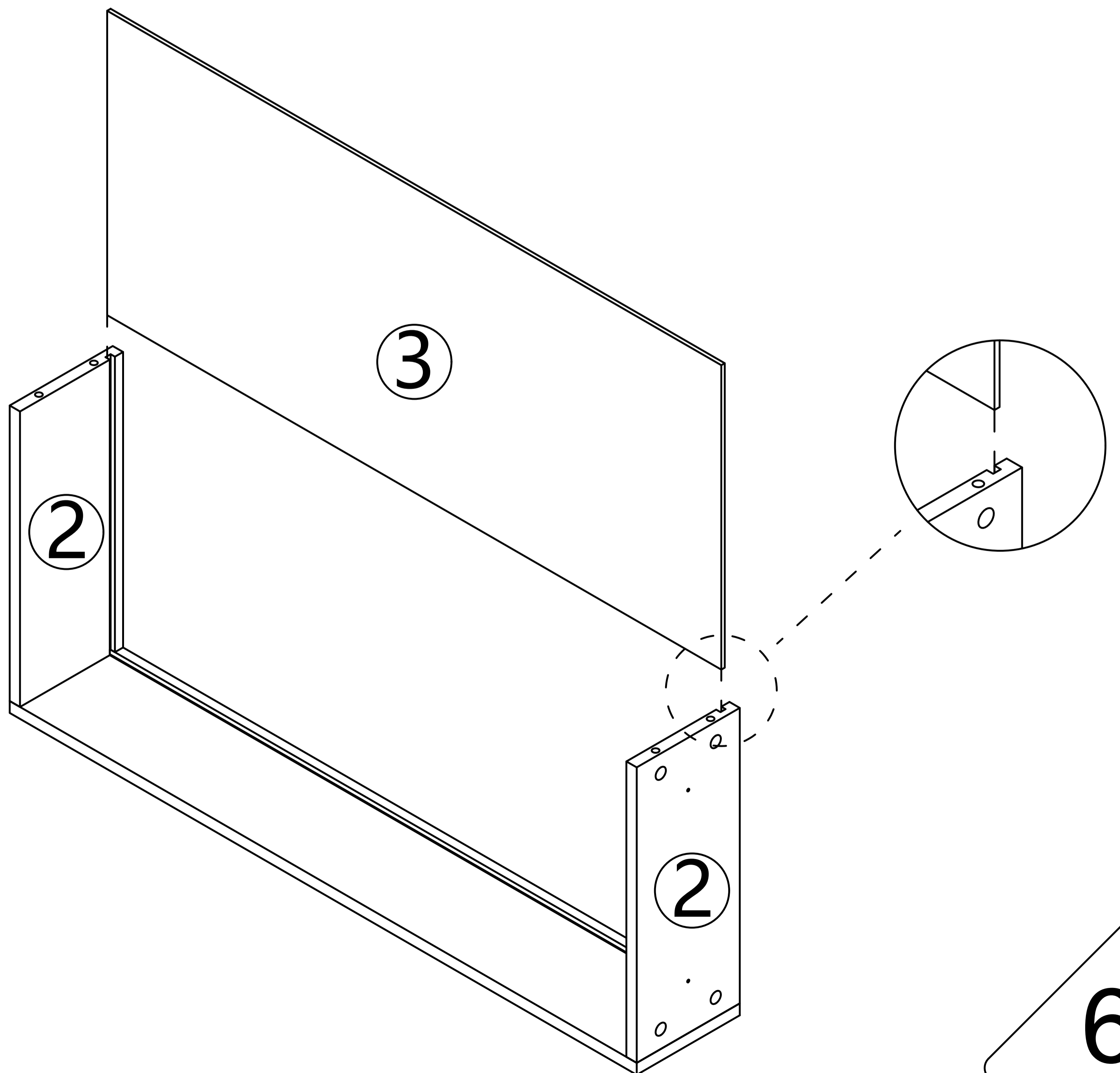


5

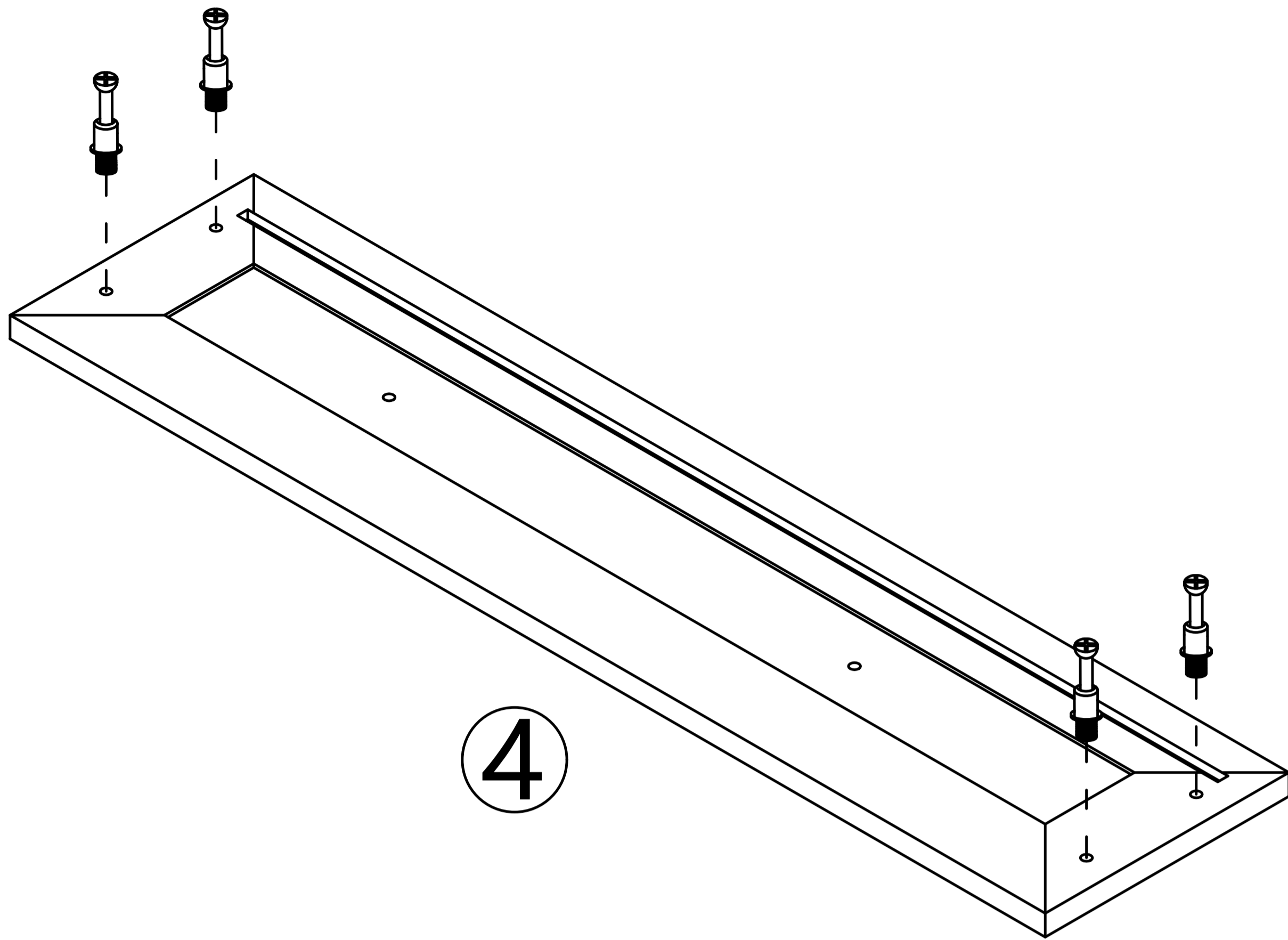
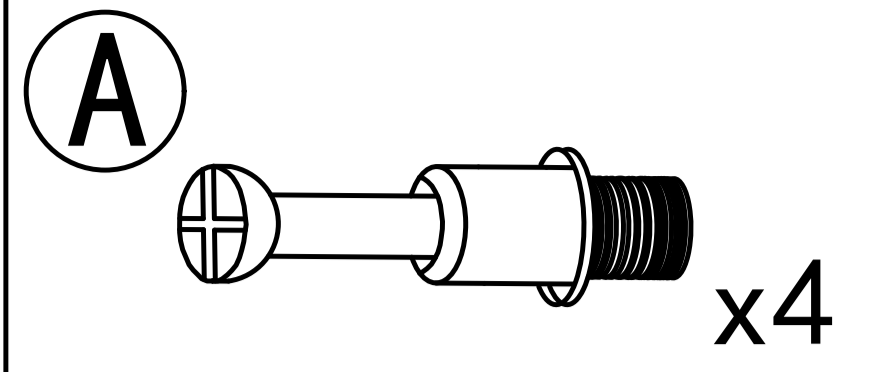
Step 2



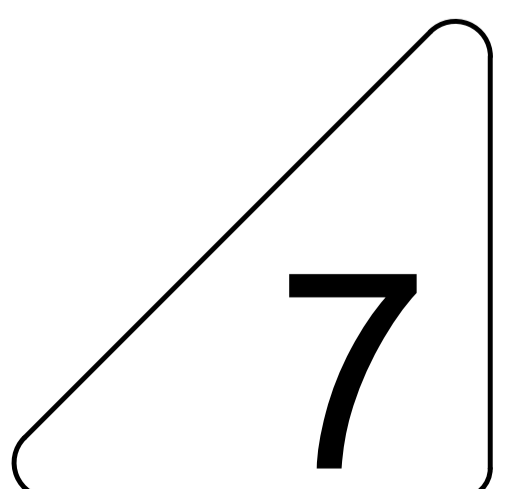
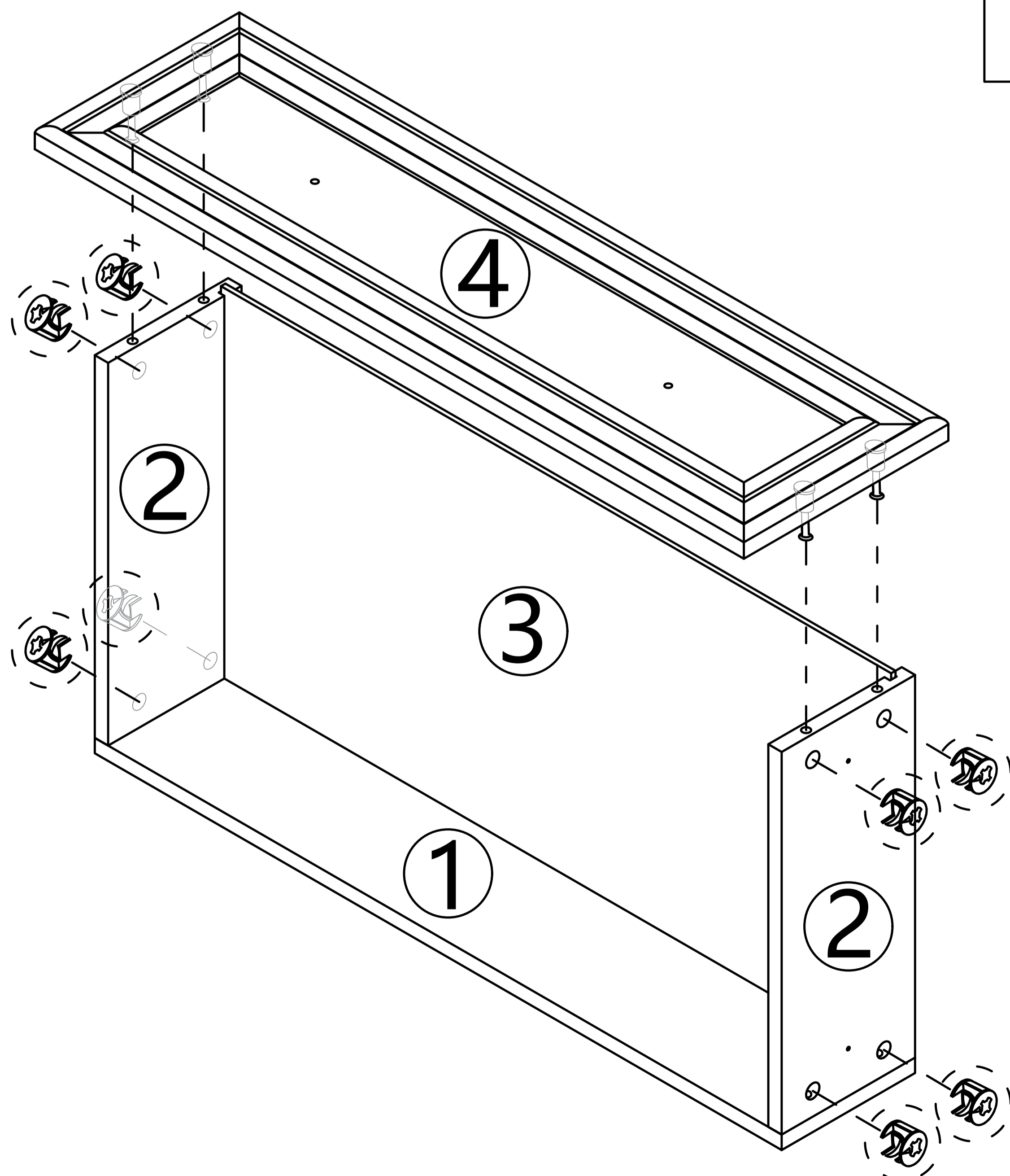
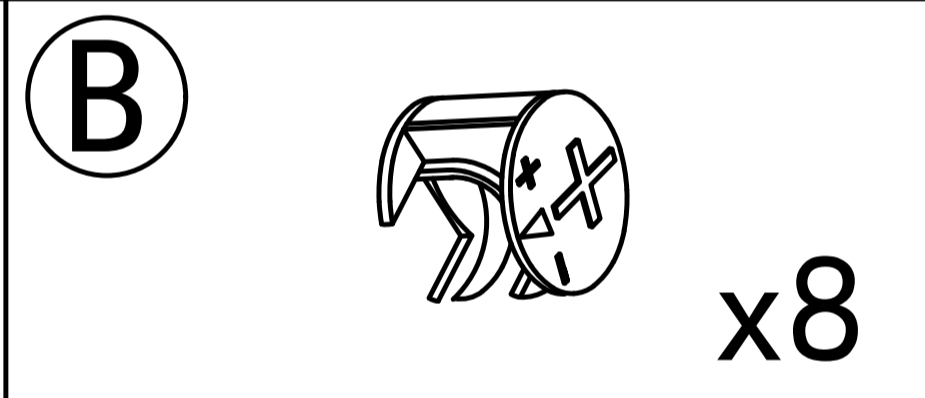
Step 3



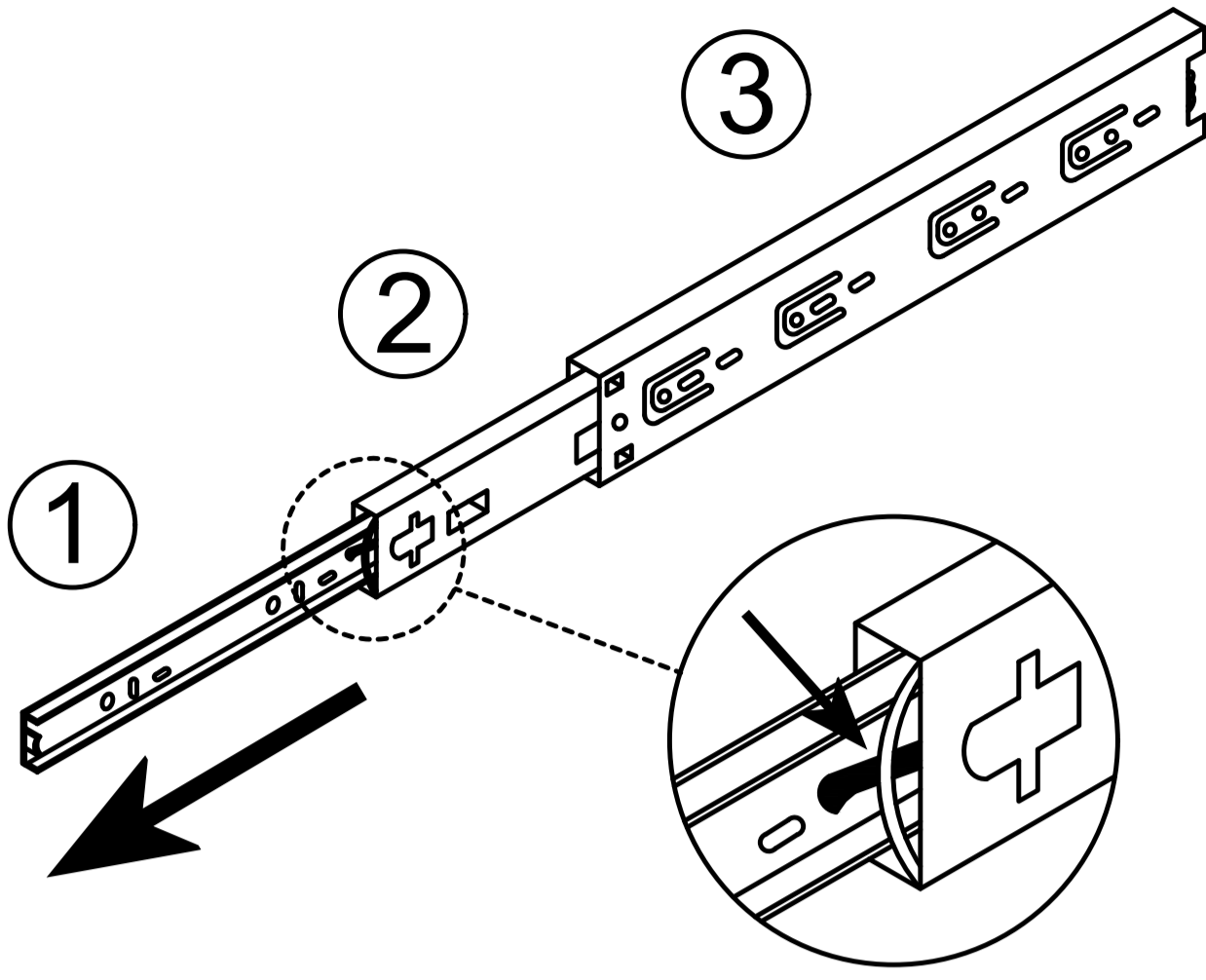
# Step 4



# Step 5

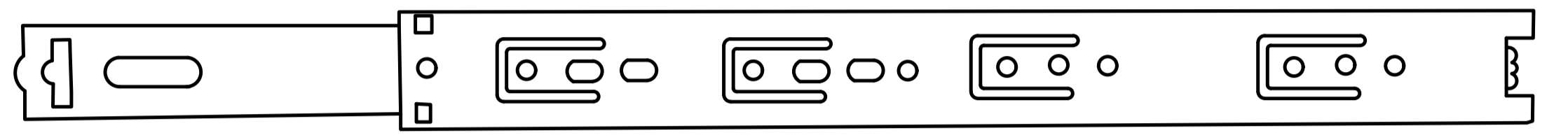
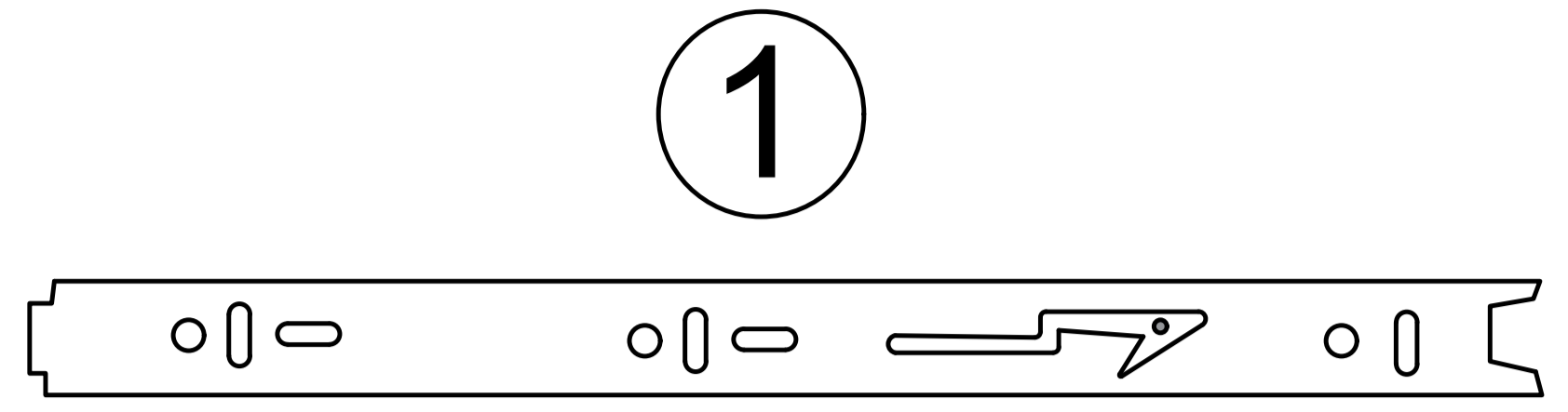


# Drawer rail breakdown diagram



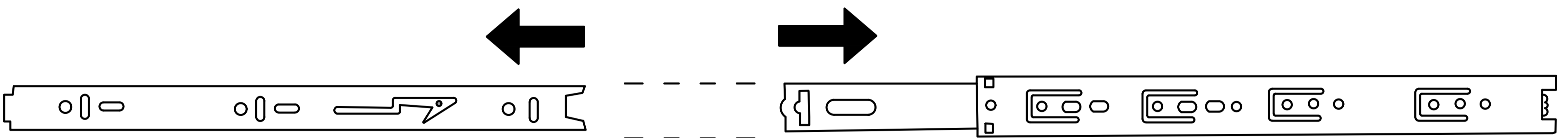
Step 1 : Pull the rails apart

Step 2 : Push the nylon buckle outward ①



②

③

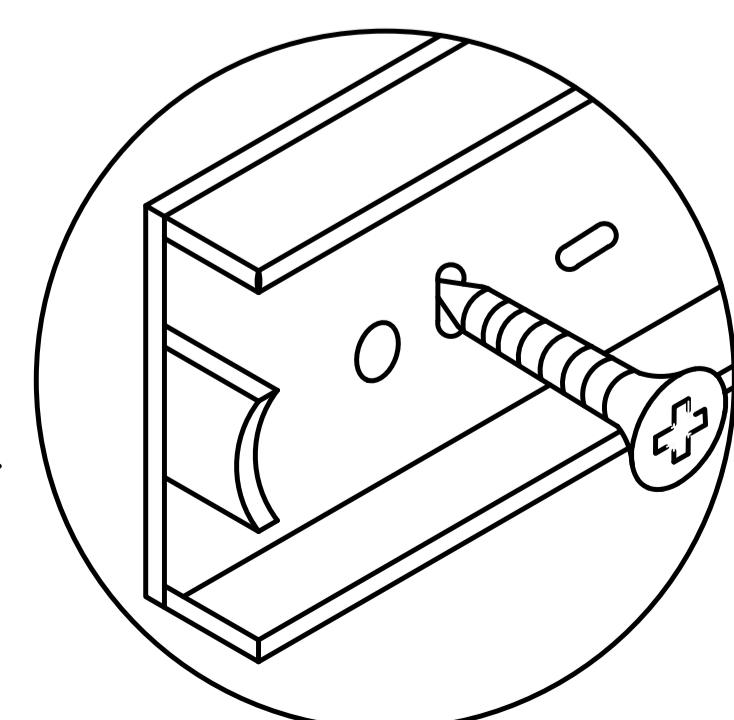
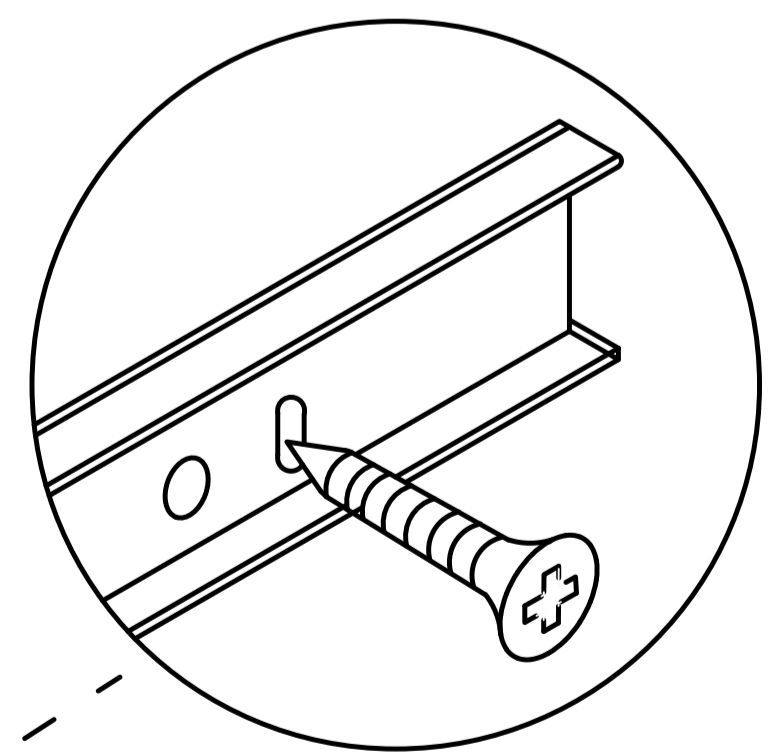
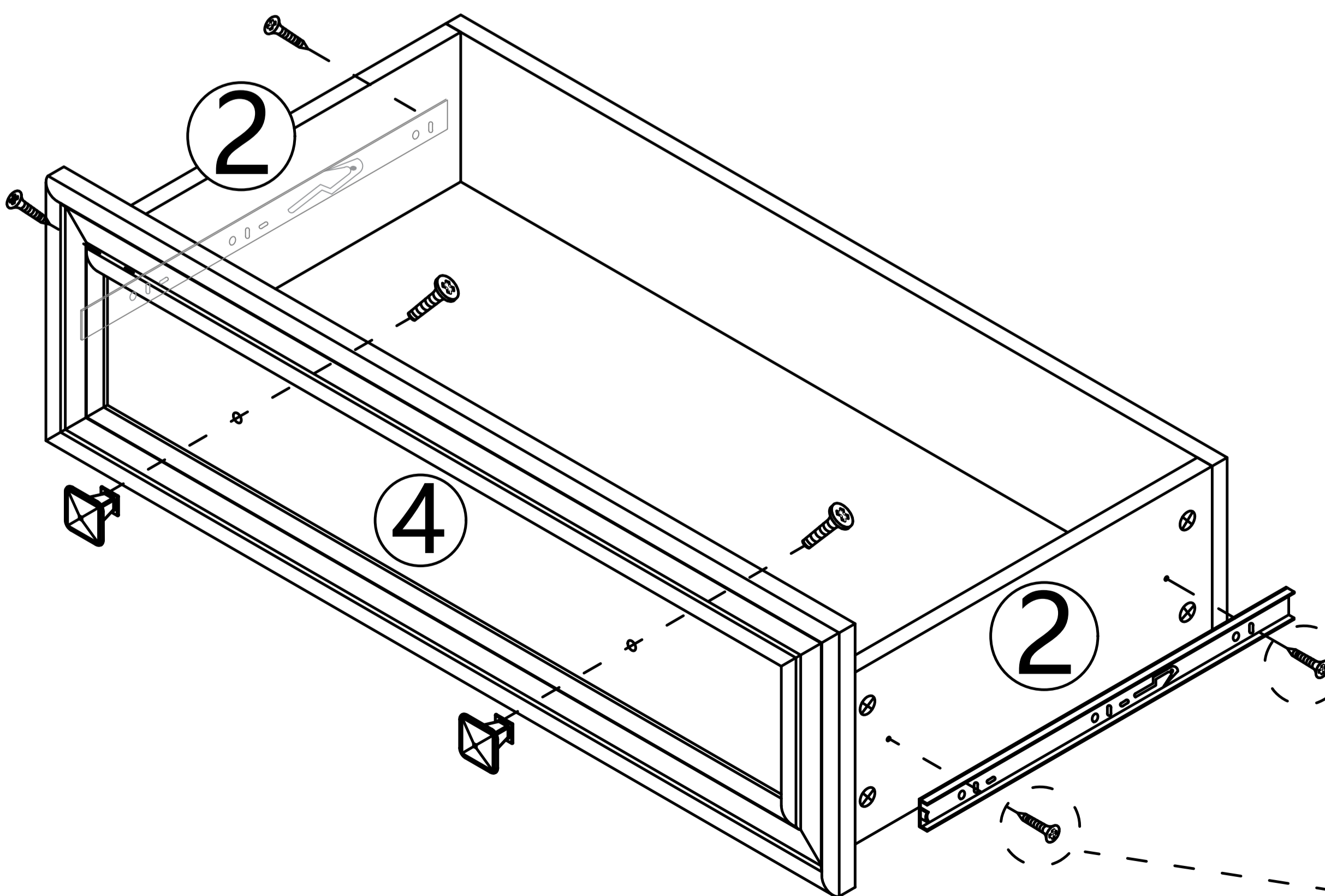
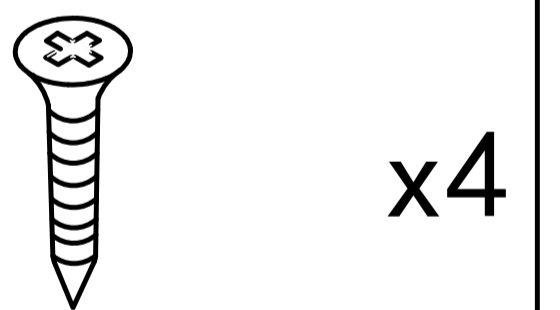
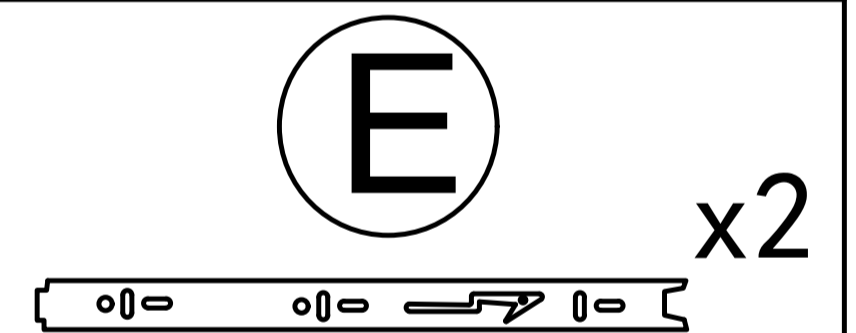
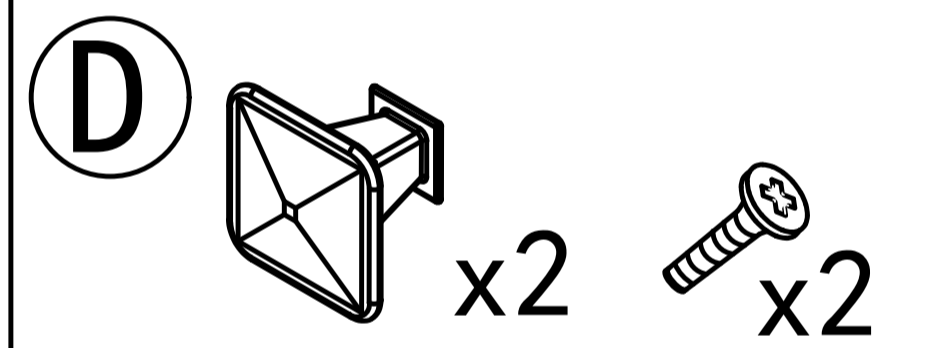
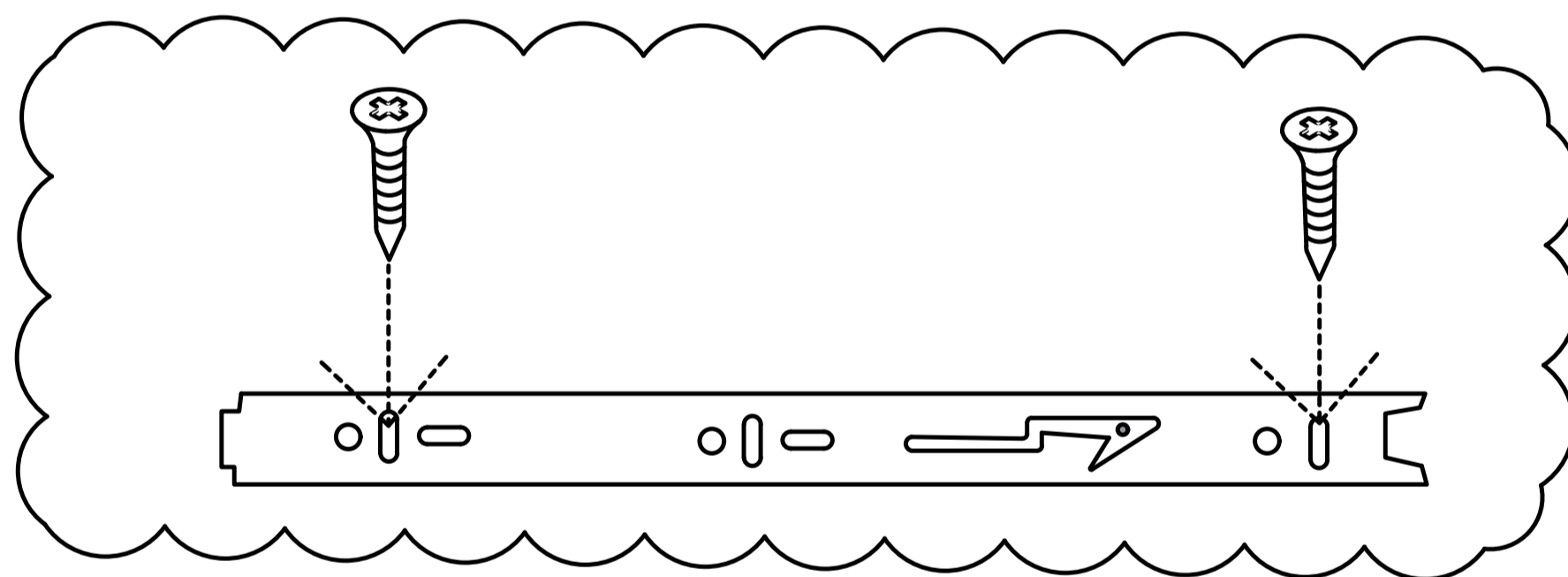


①

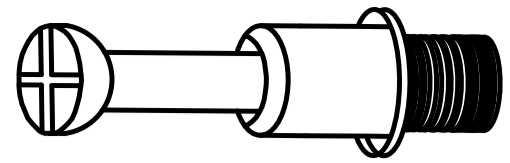
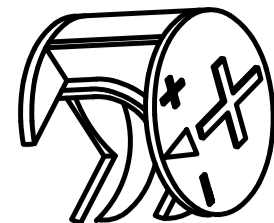

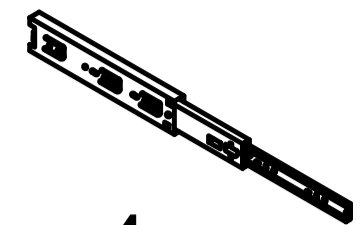
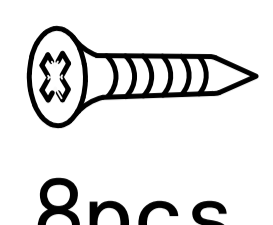

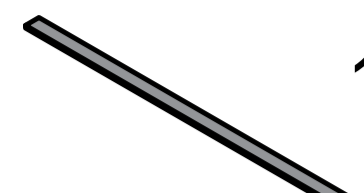
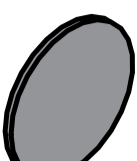
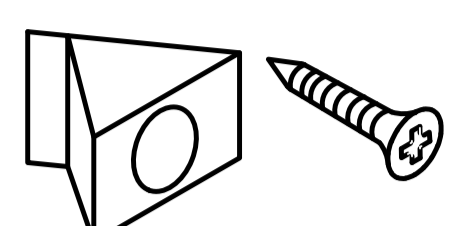
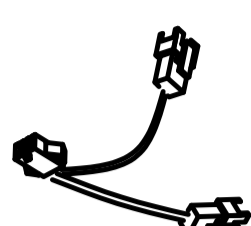
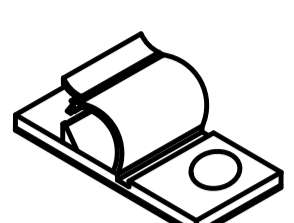

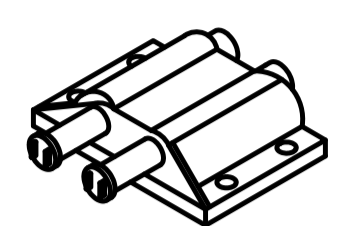
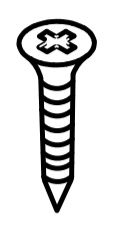
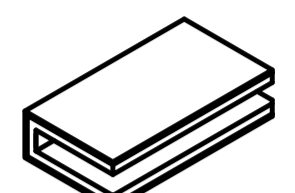
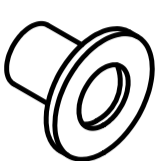
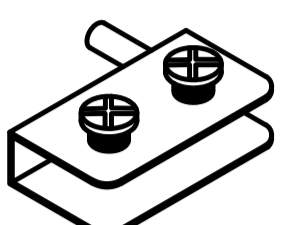


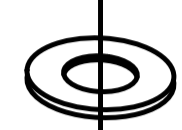
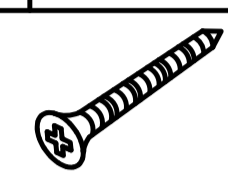

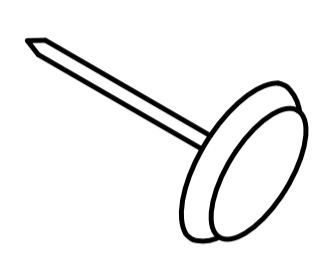
②

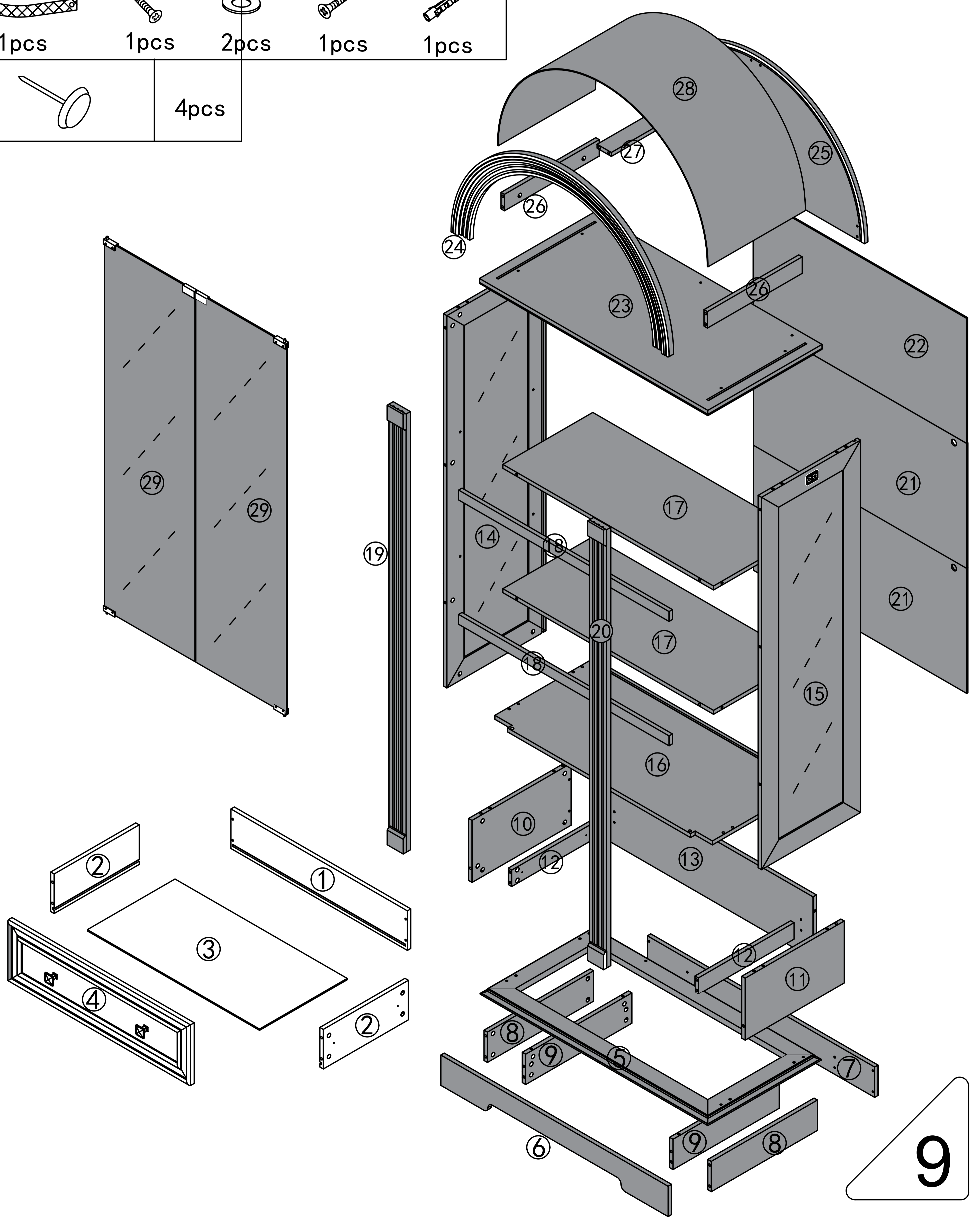
③

## Step 6

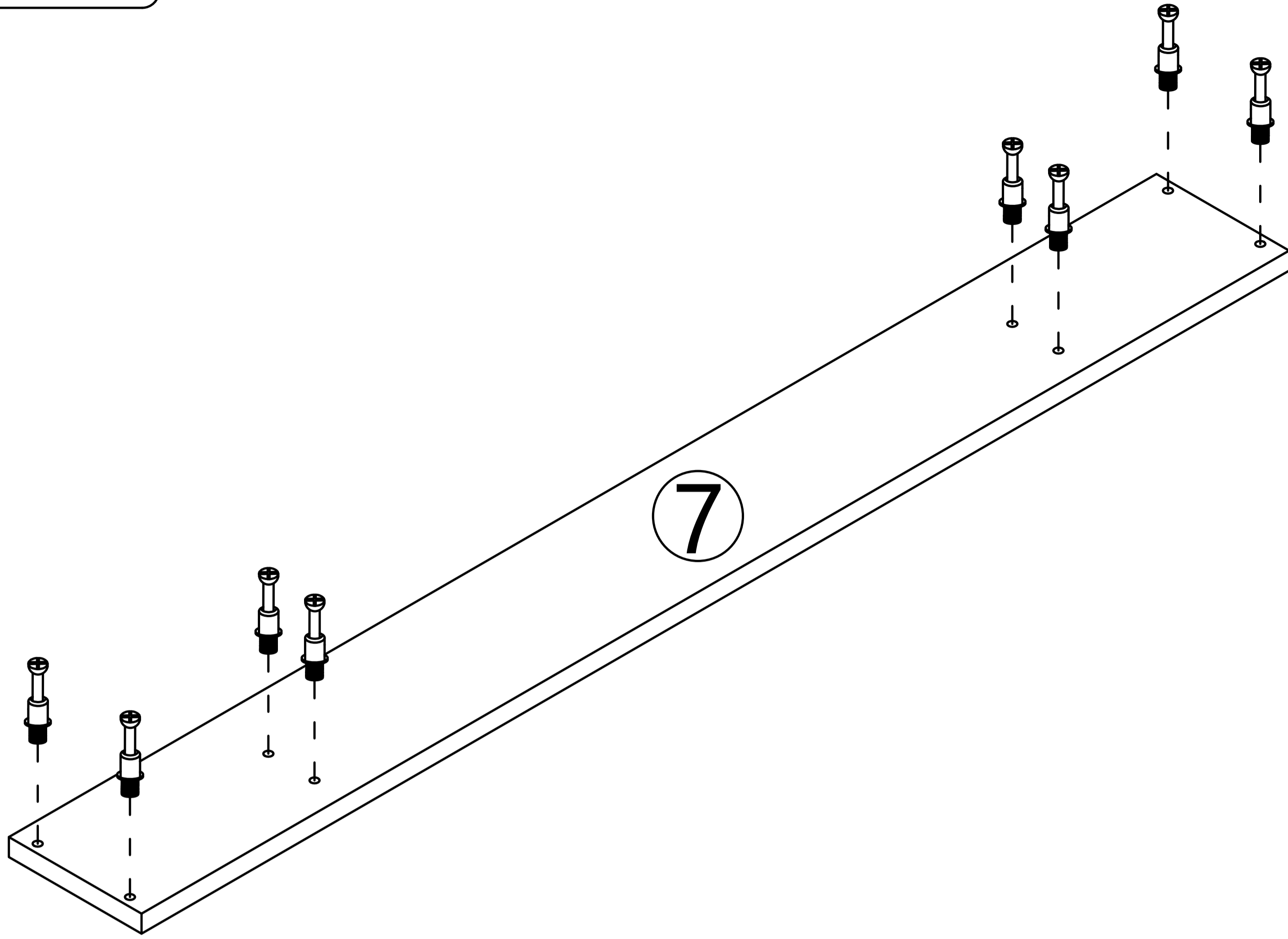
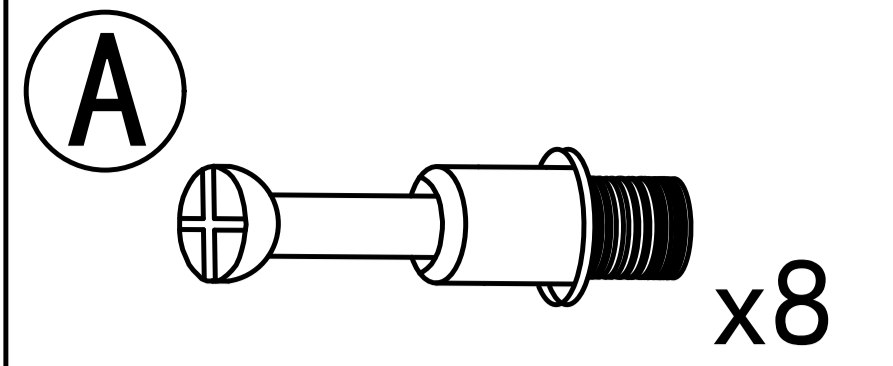


8

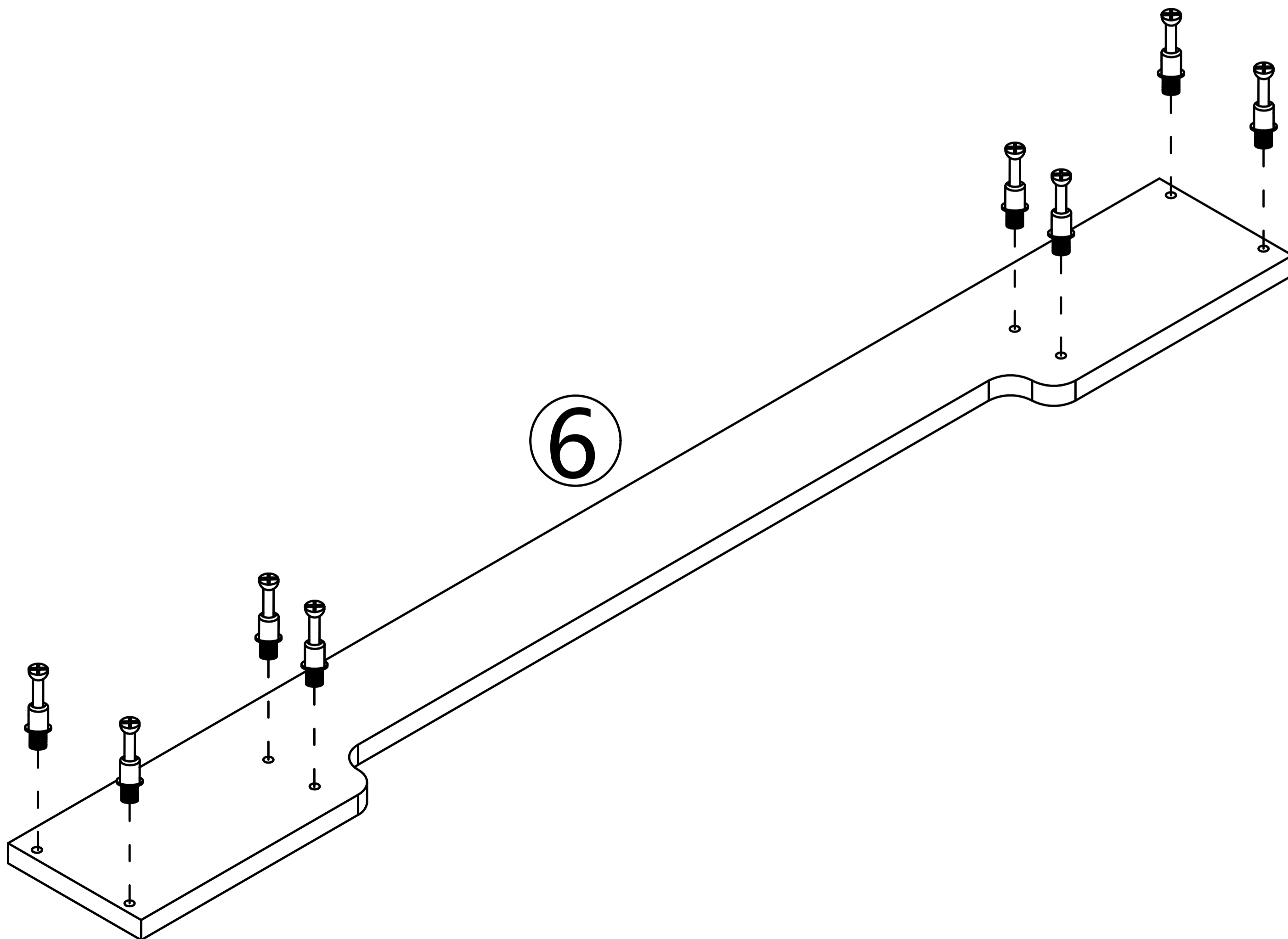
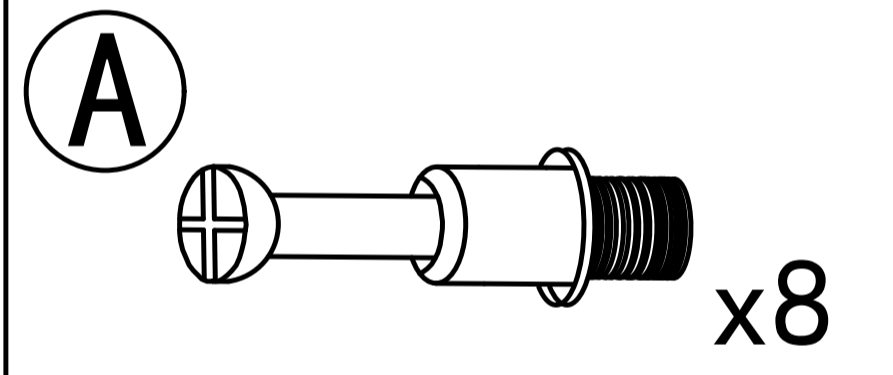
<b>A</b>		93pcs	<b>B</b>		93pcs	<b>C</b>		16pcs					
<b>E</b>		4pcs		8pcs	<b>F</b>		1pcs	<b>G</b>		1pcs		4pcs	
<b>H</b>		10pcs	<b>I</b>		2pcs	<b>J</b>		3pcs					
<b>K</b>		5pcs	<b>L</b>		1pcs		4pcs		2pcs		4pcs		4pcs
<b>M</b>		1pcs		1pcs		2pcs		1pcs		1pcs			
<b>N</b>		4pcs											



Step 7



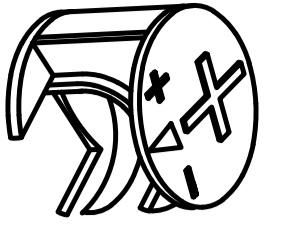
Step 8



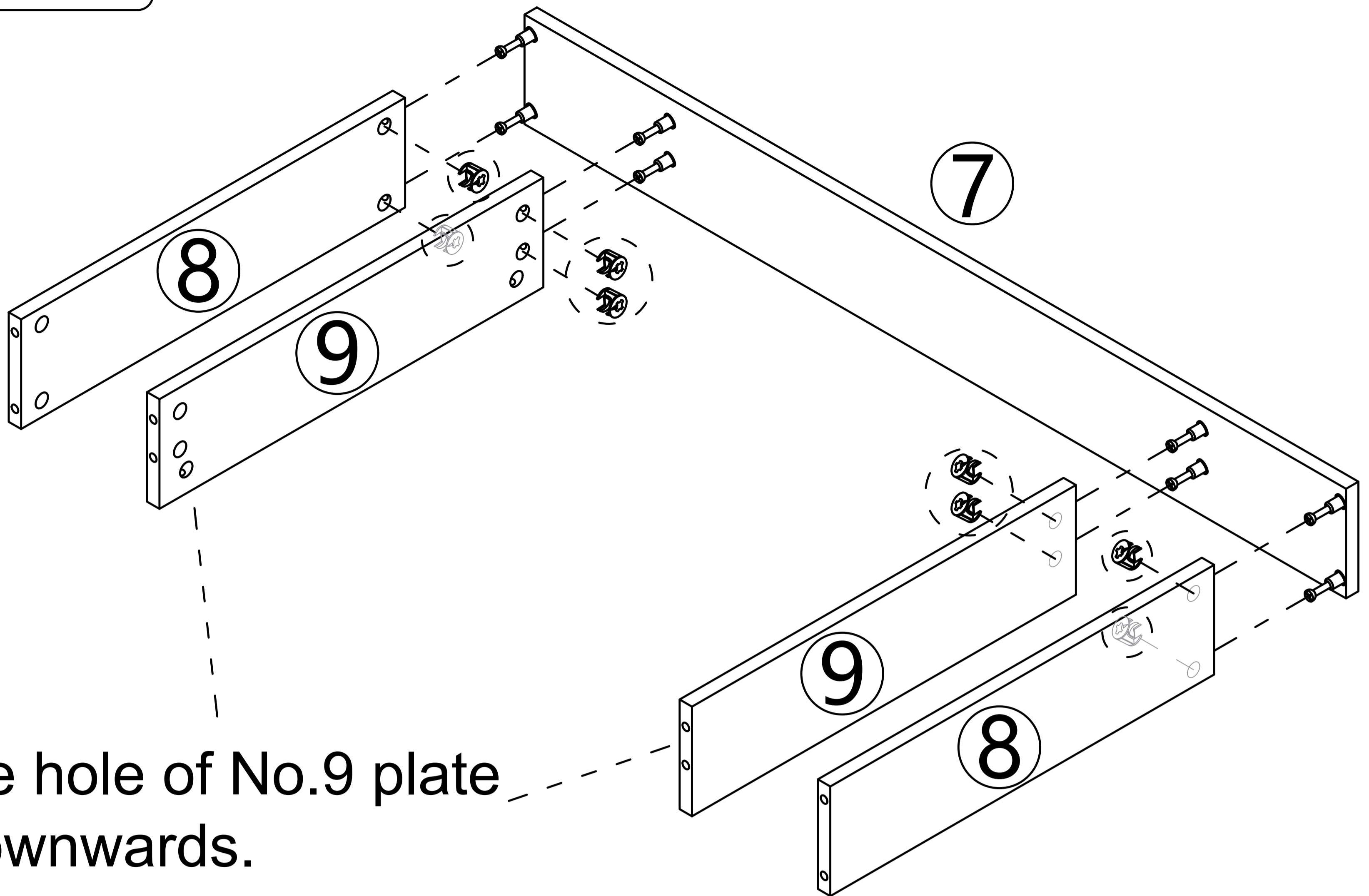
10

# Step 9

(B)



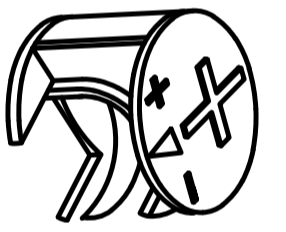
x8



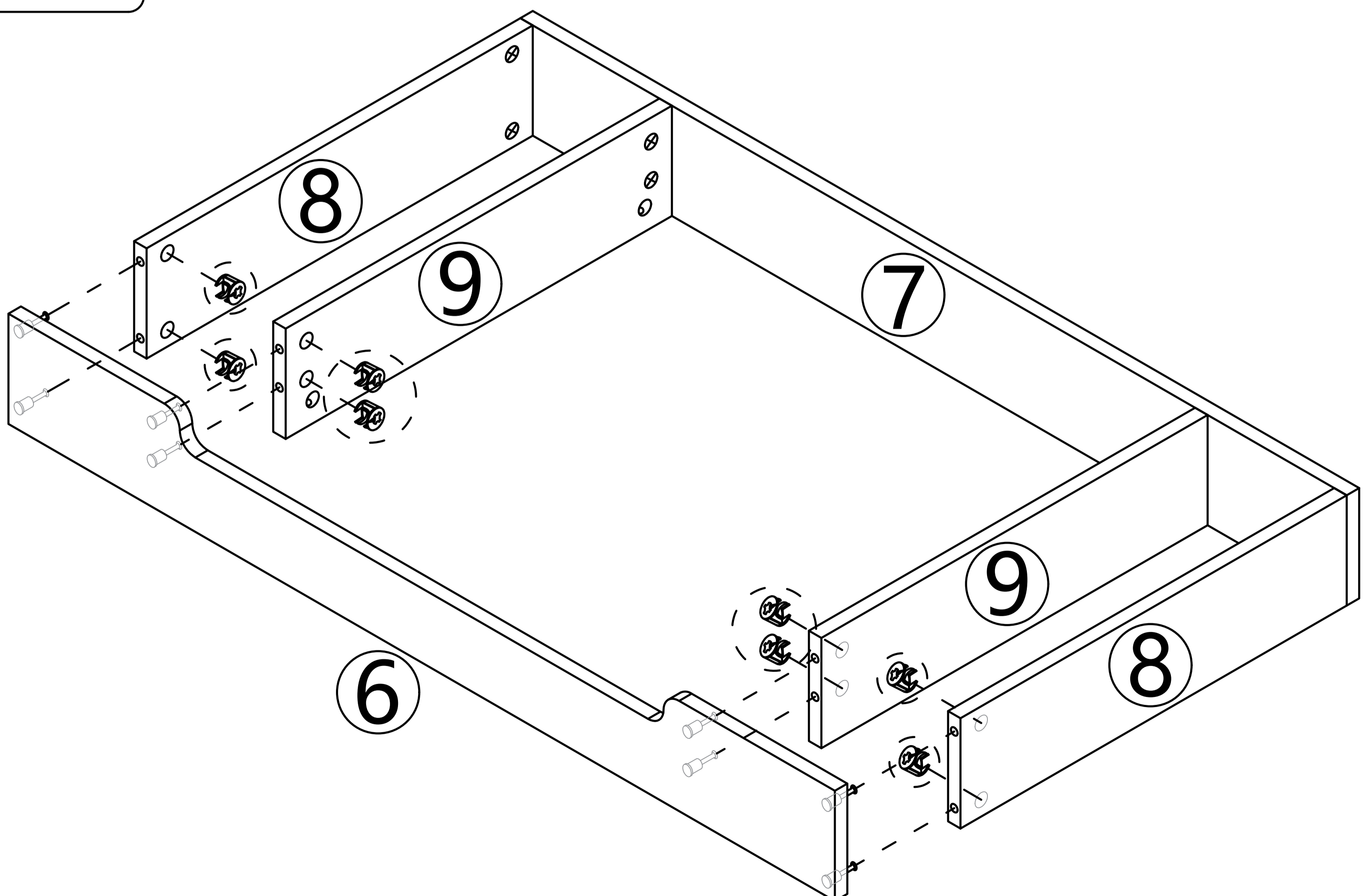
Note: the hole of No.9 plate faces downwards.

# Step 10

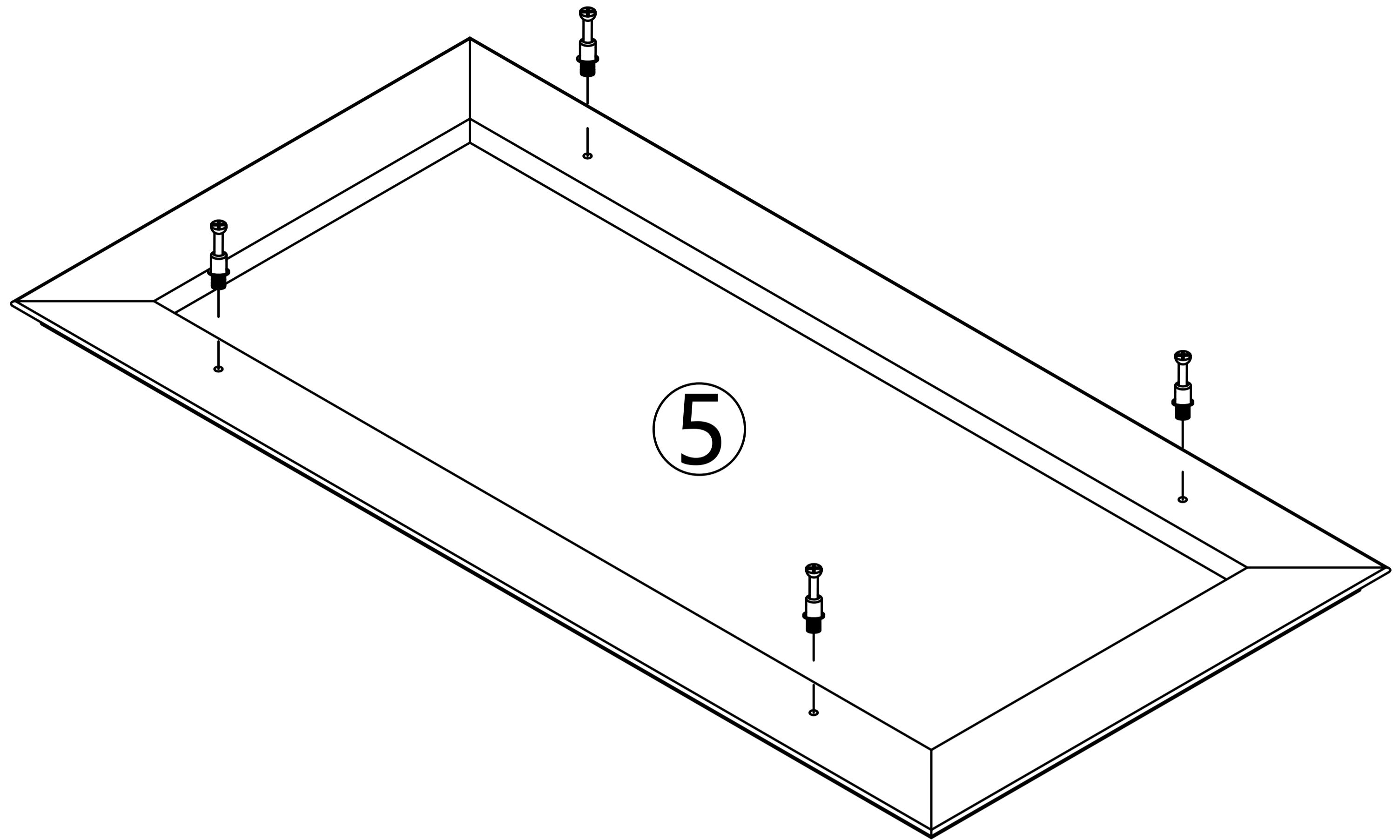
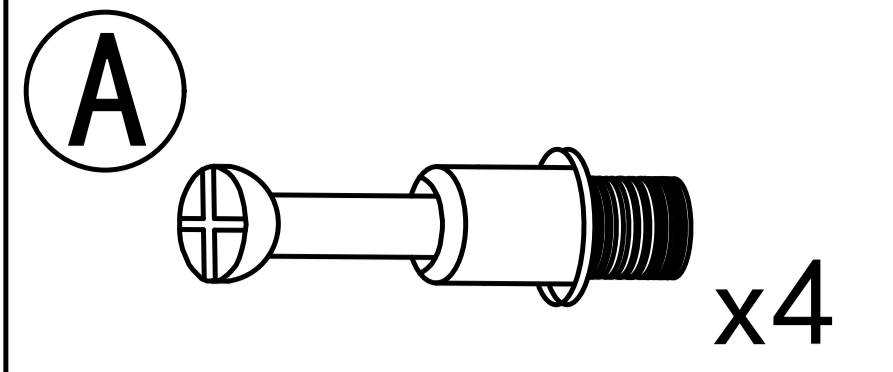
(B)



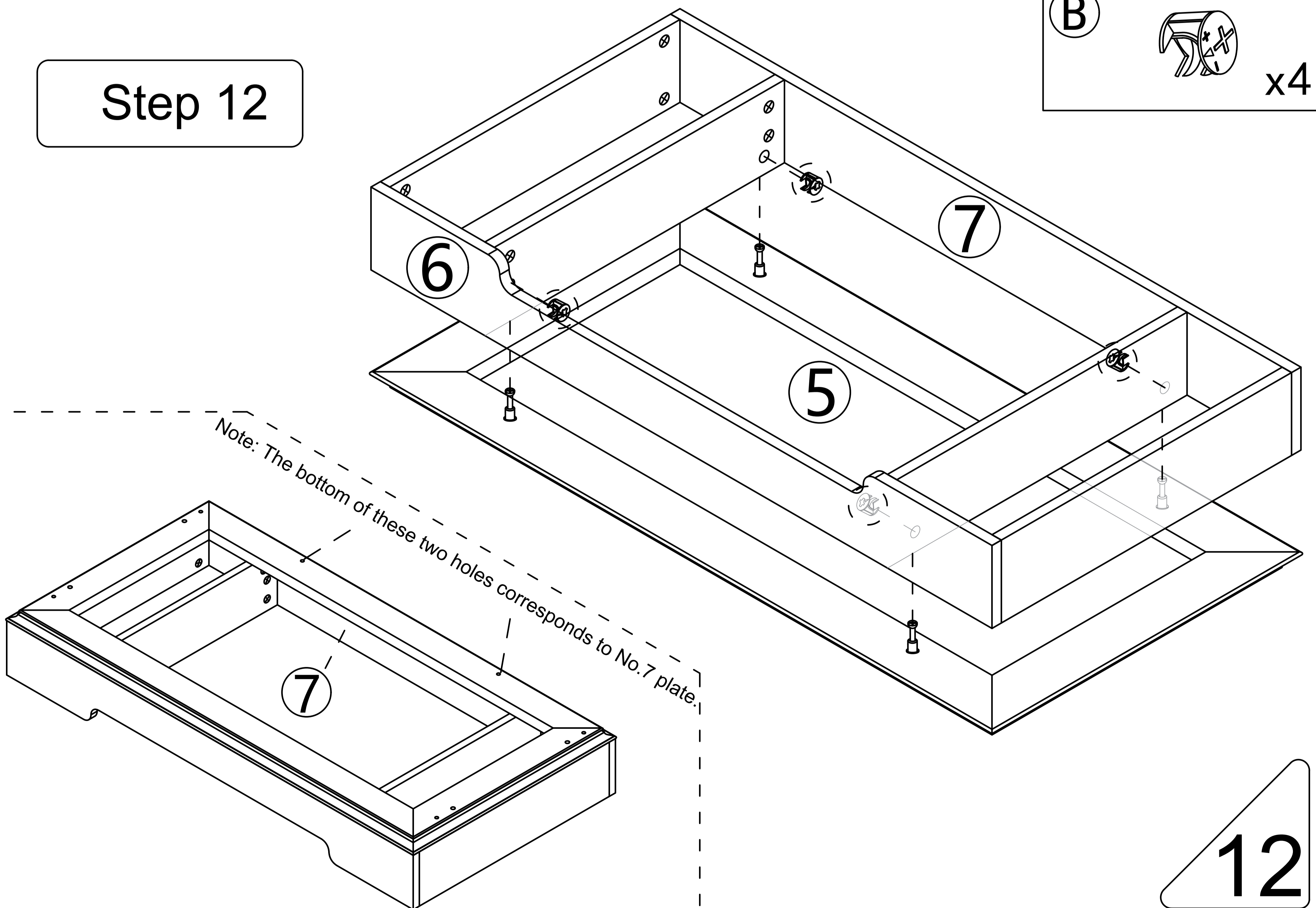
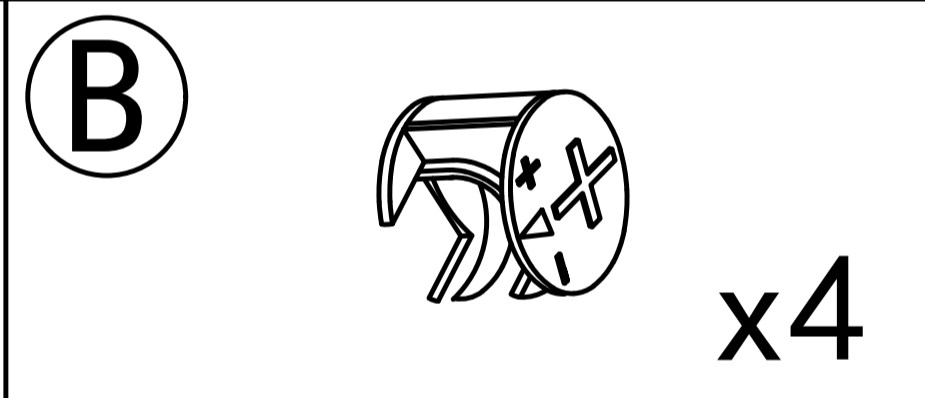
x8



# Step 11

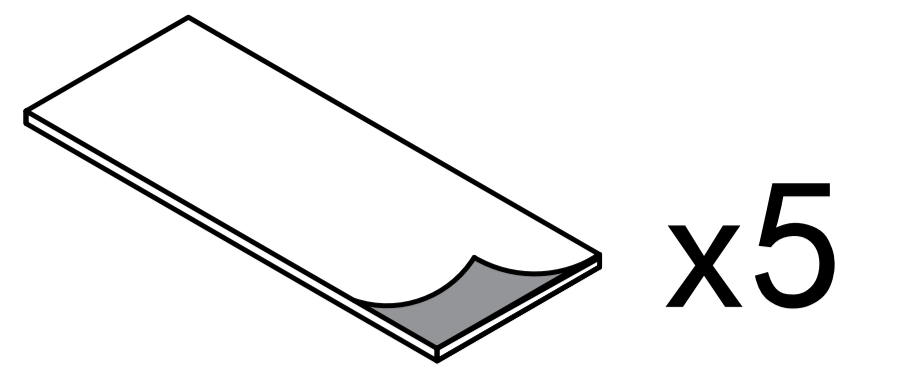


# Step 12

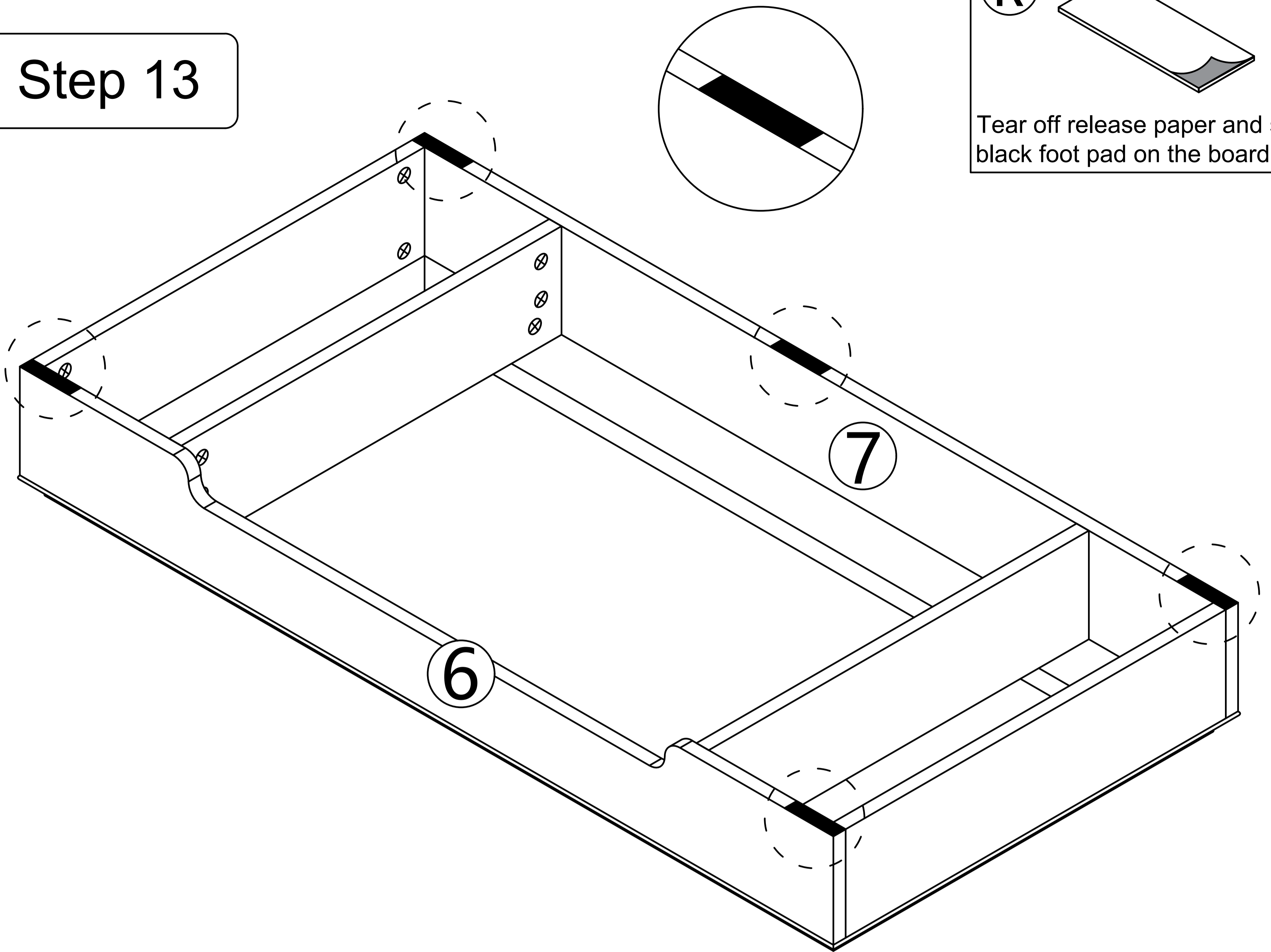


# Step 13

K

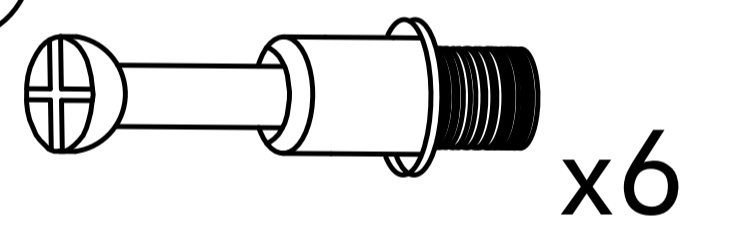


Tear off release paper and stick the black foot pad on the board

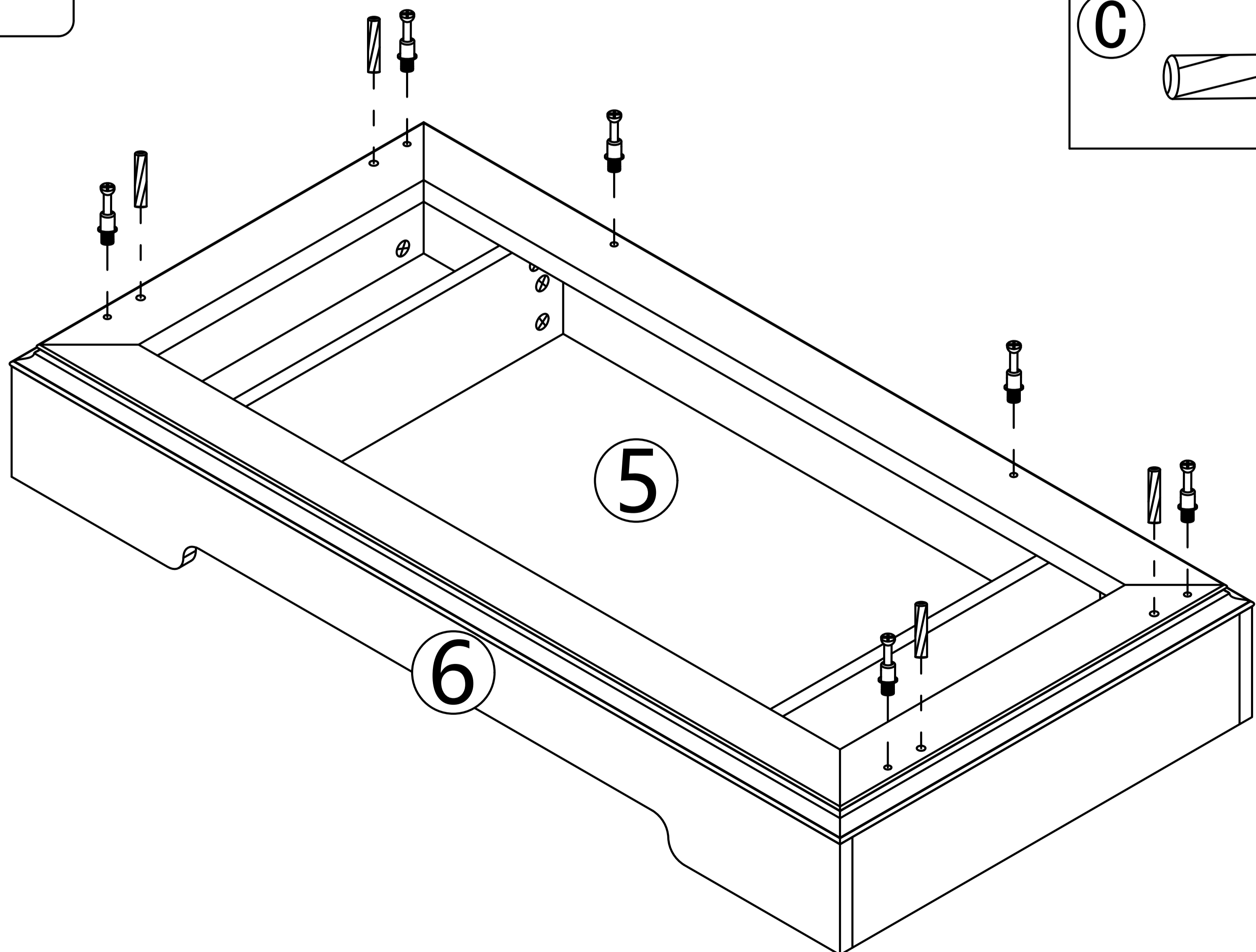
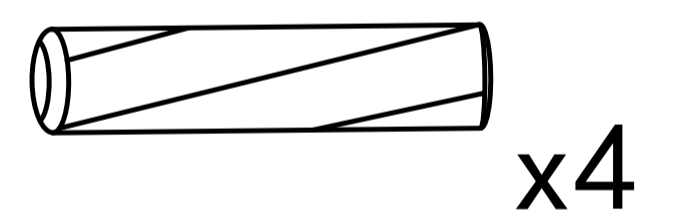


# Step 14

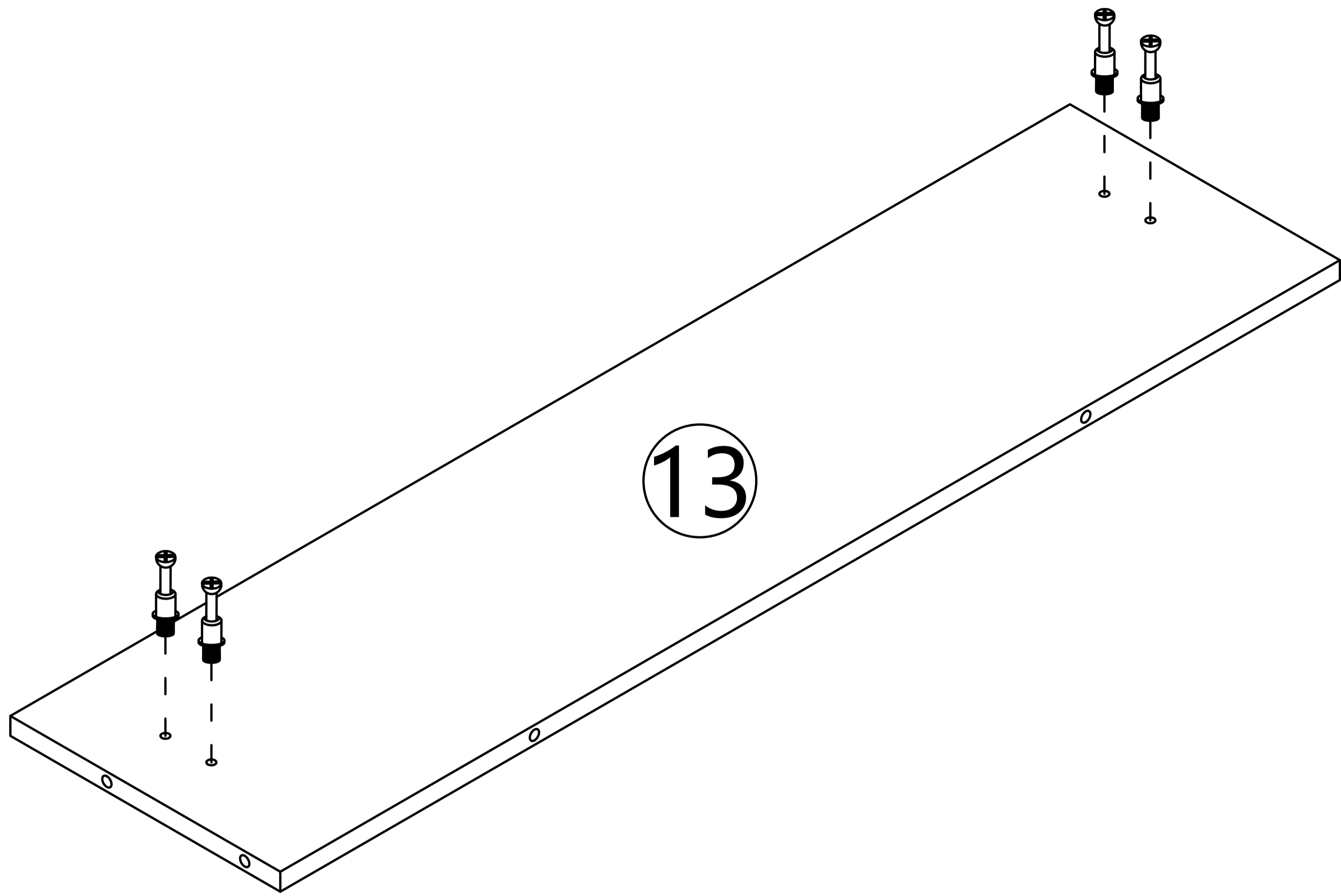
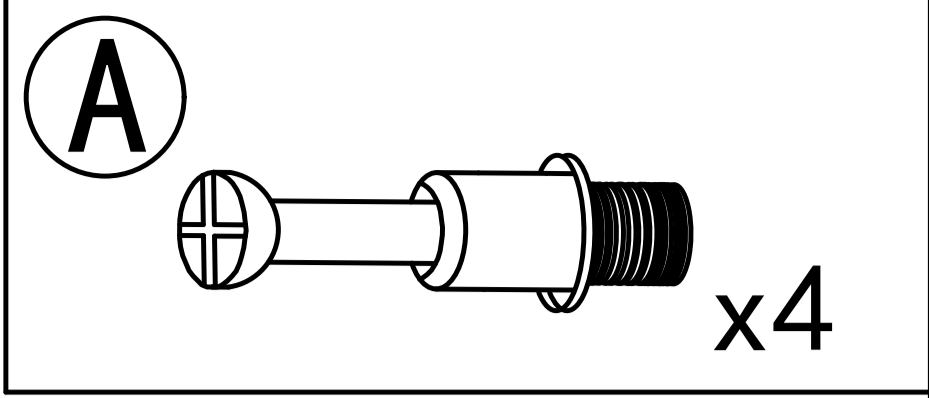
A



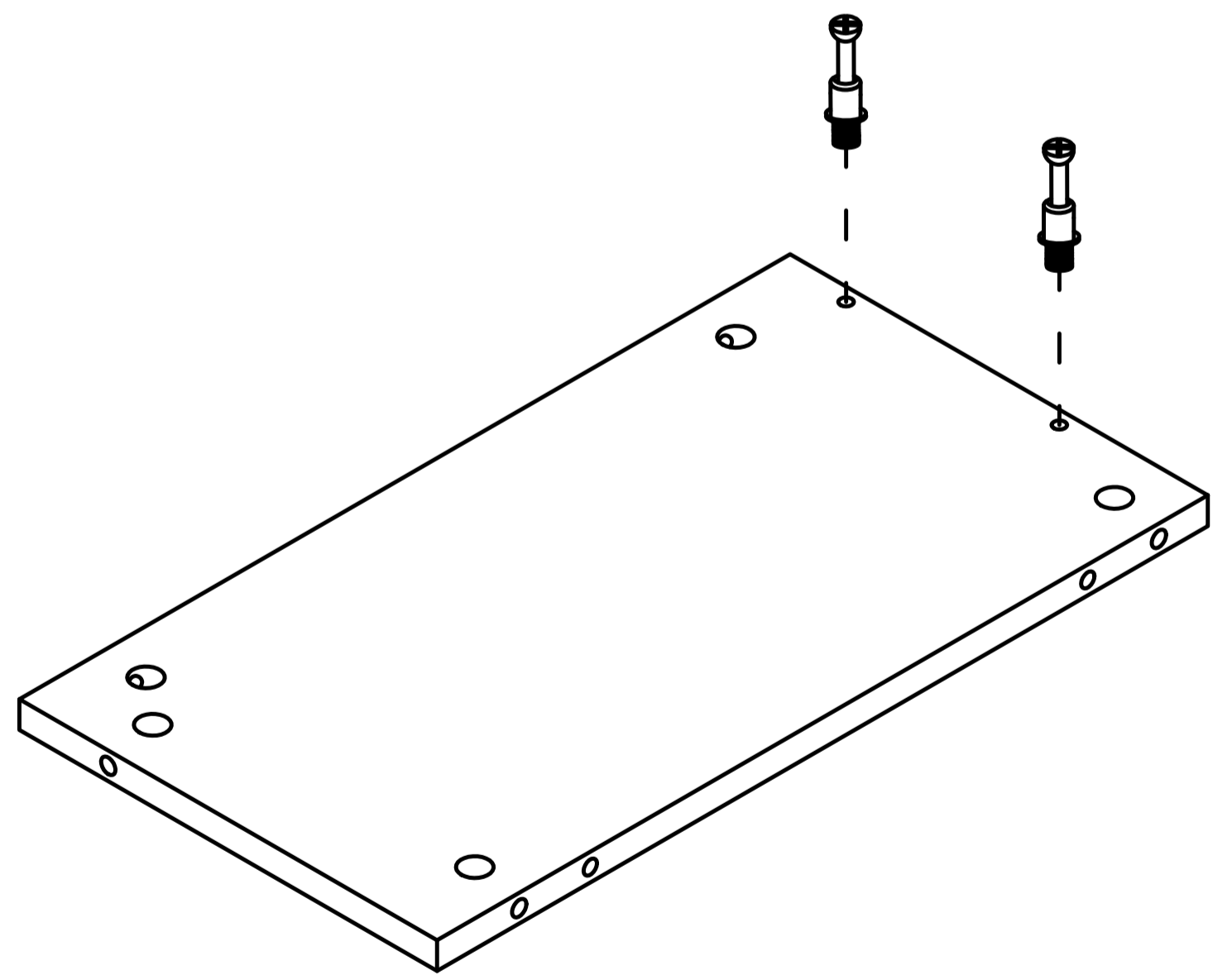
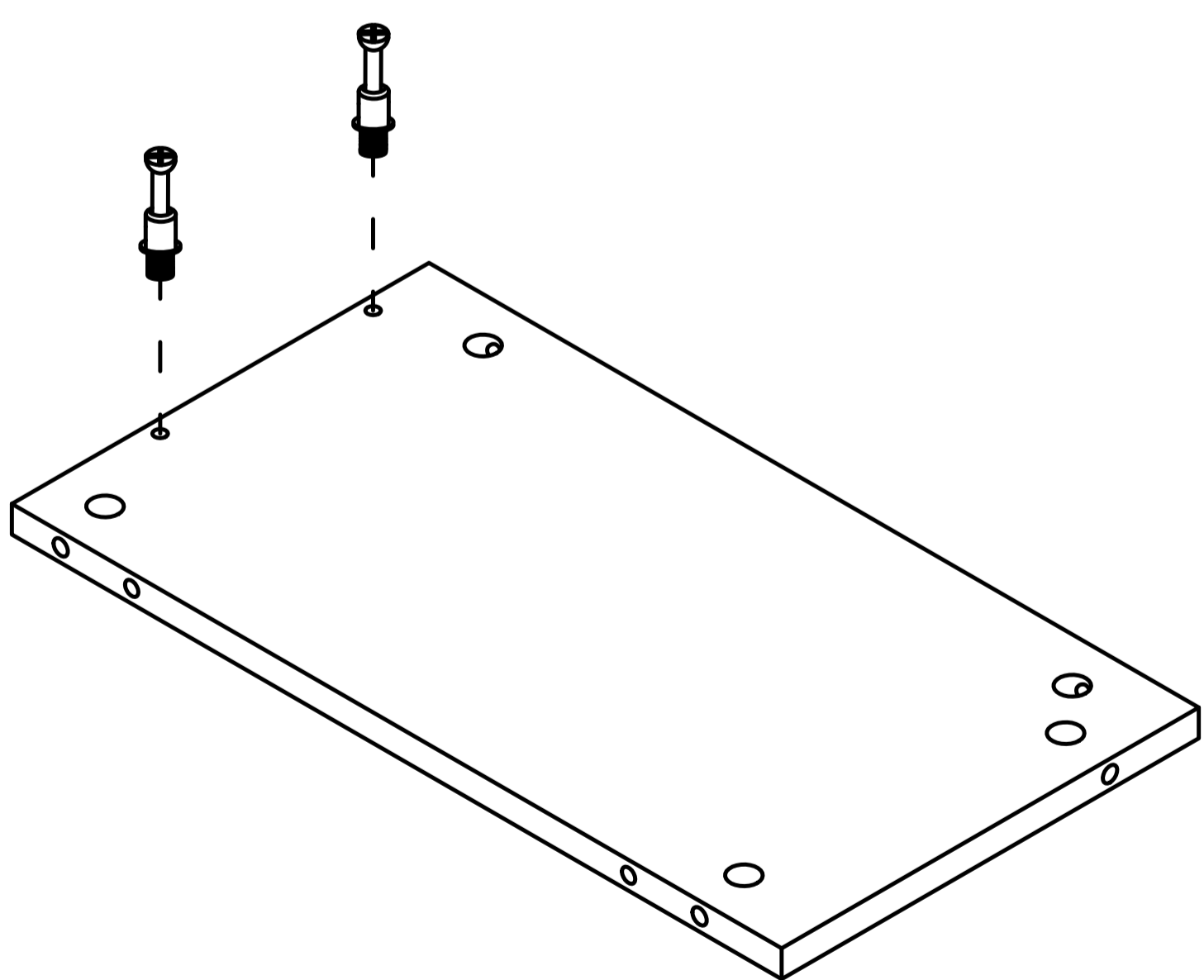
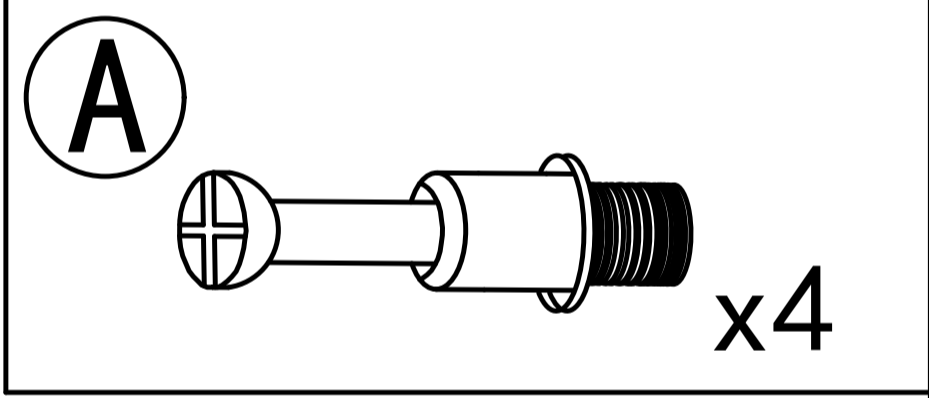
C



Step 15

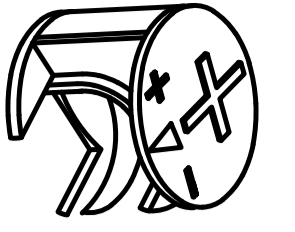


Step 16

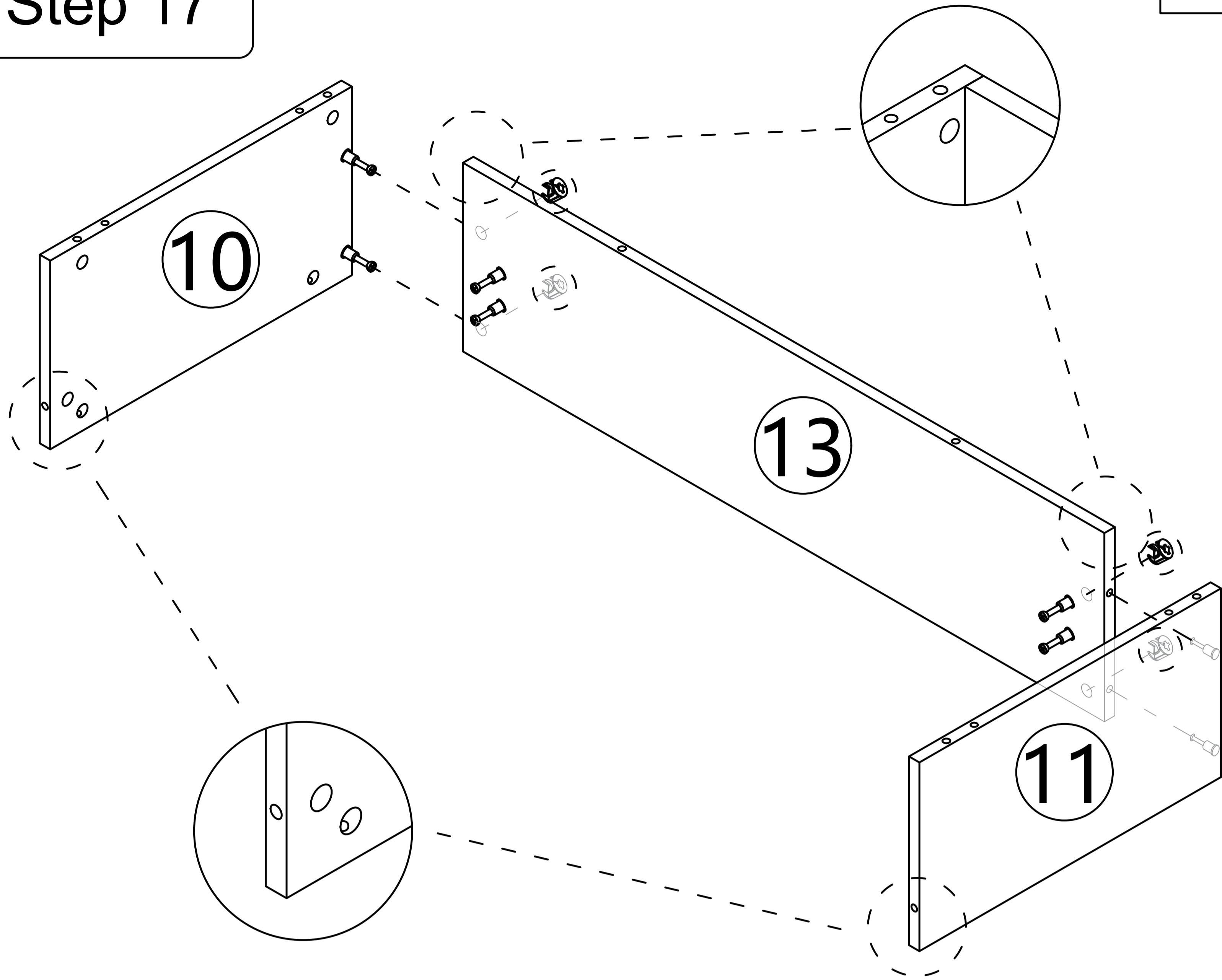


Step 17

B

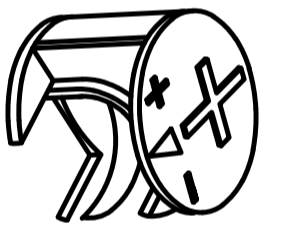


x4



Step 18

B

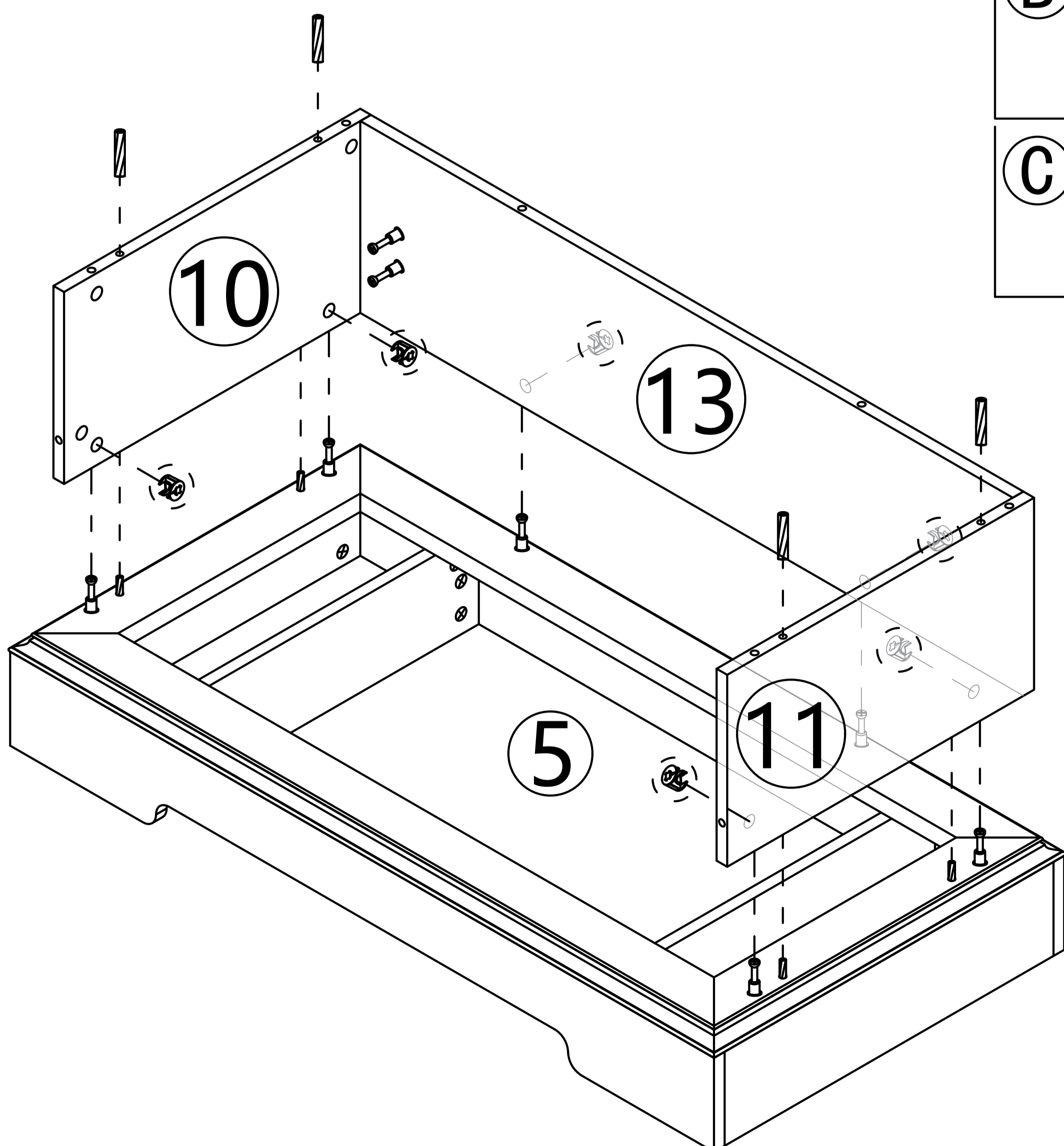


x6

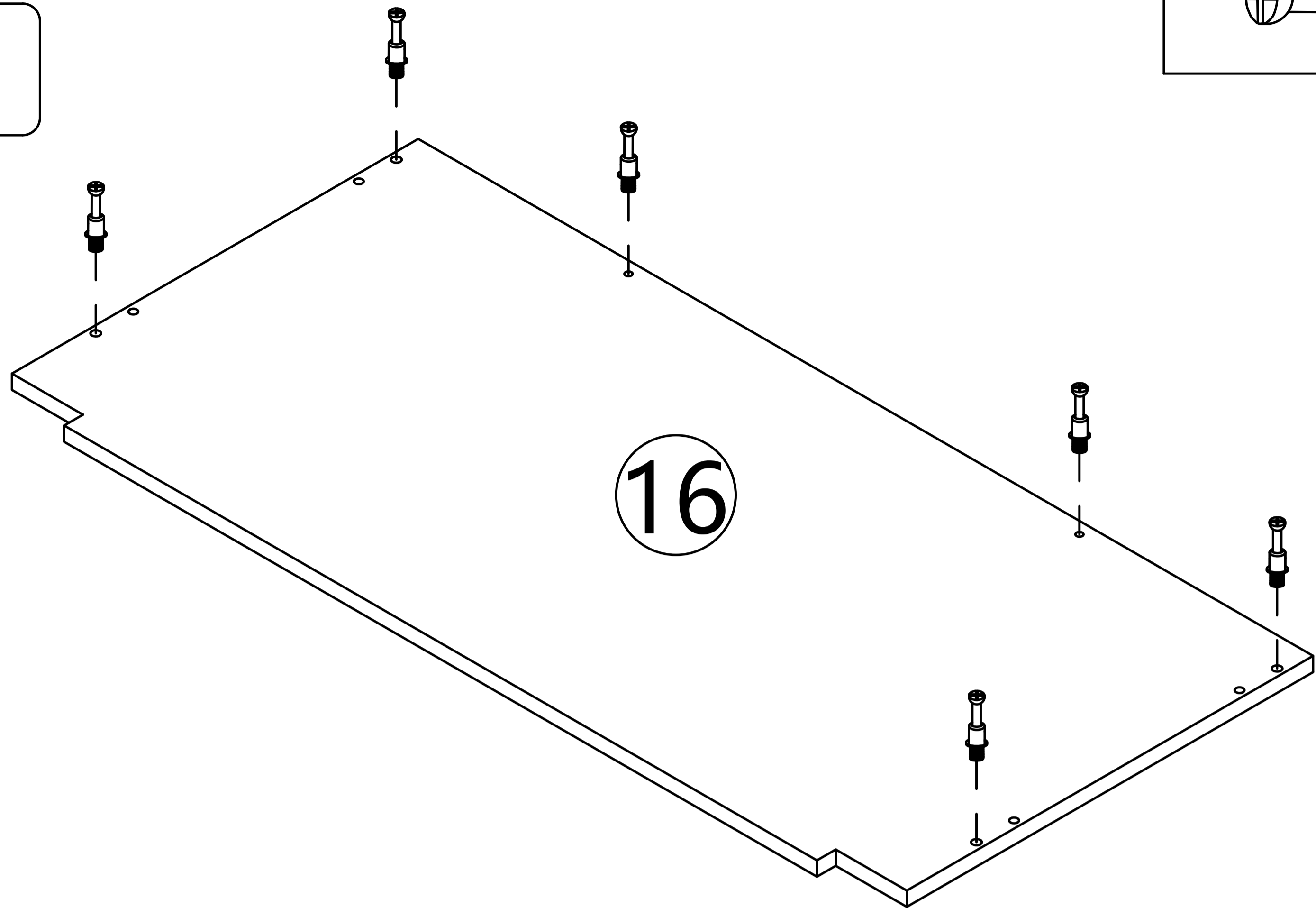
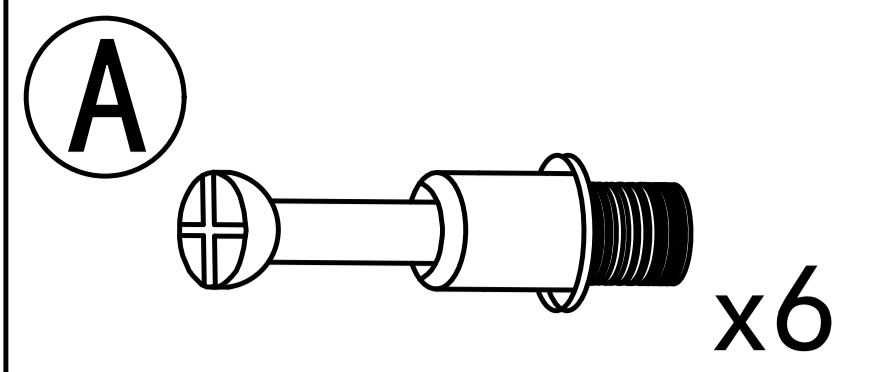
C



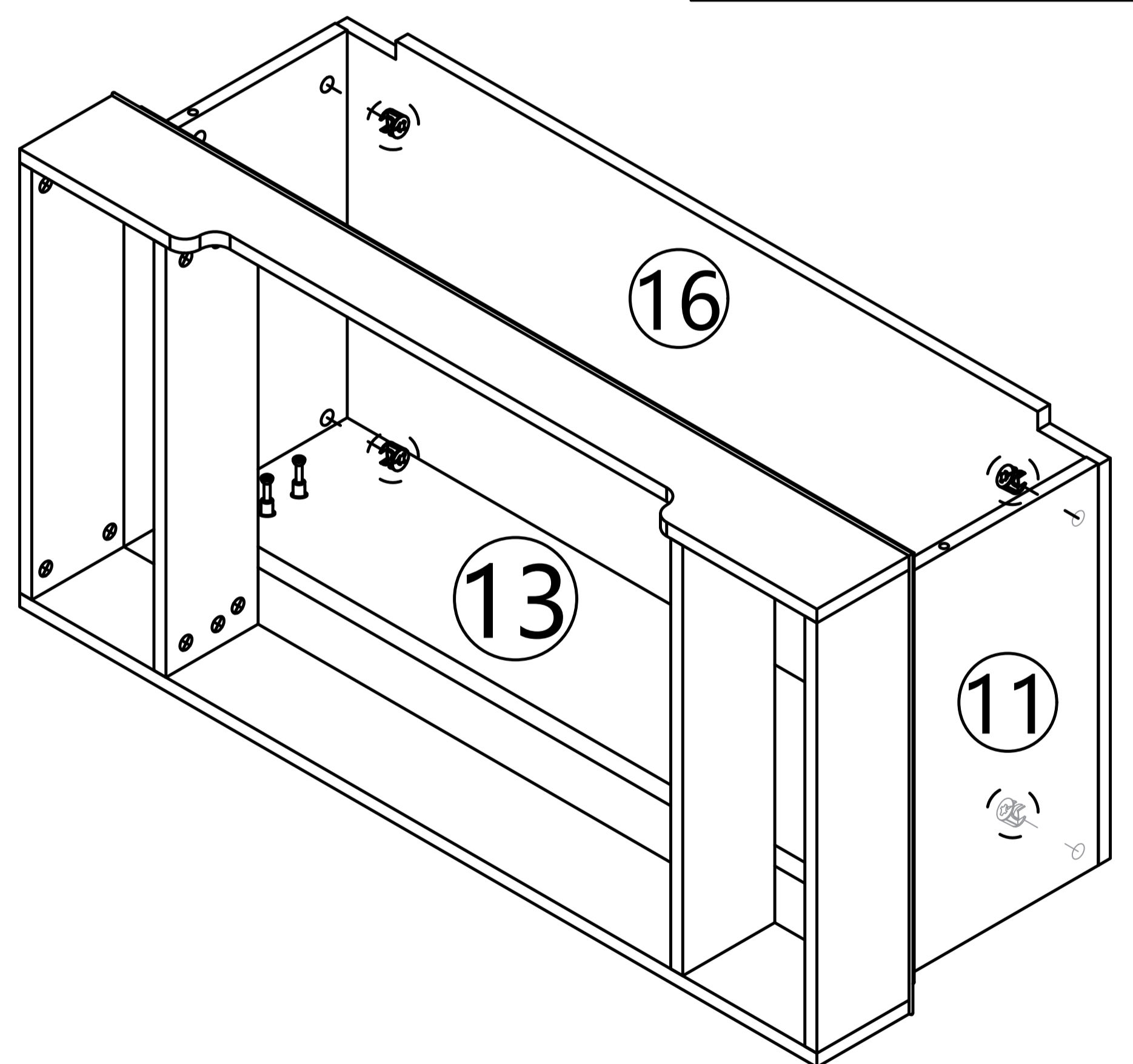
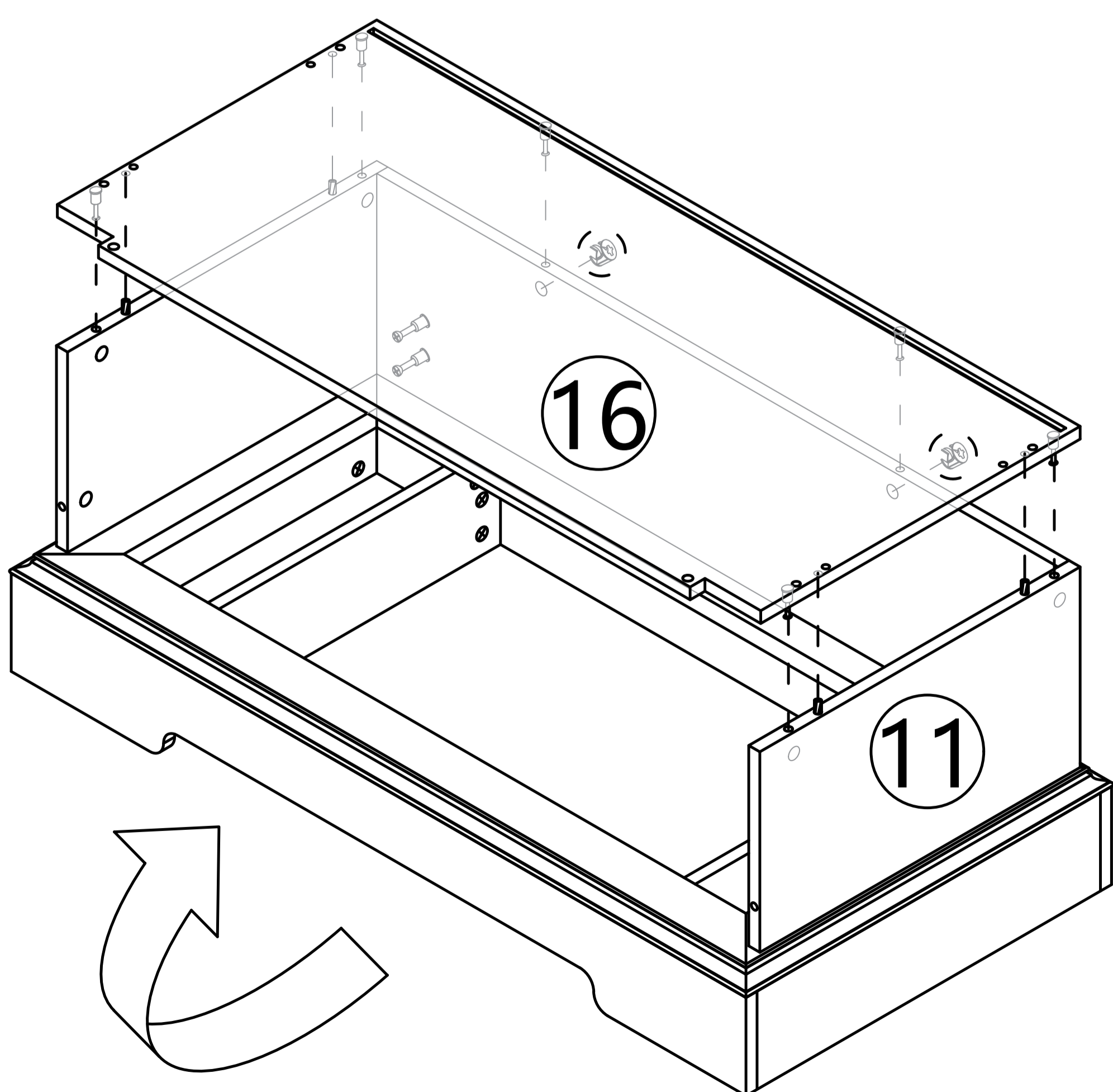
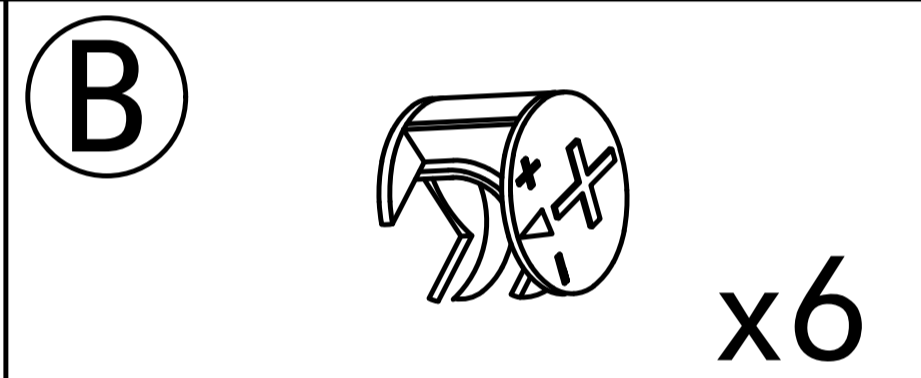
x4



Step 19

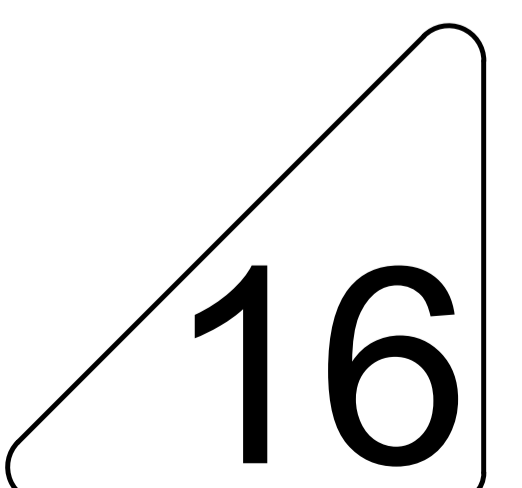


Step 20



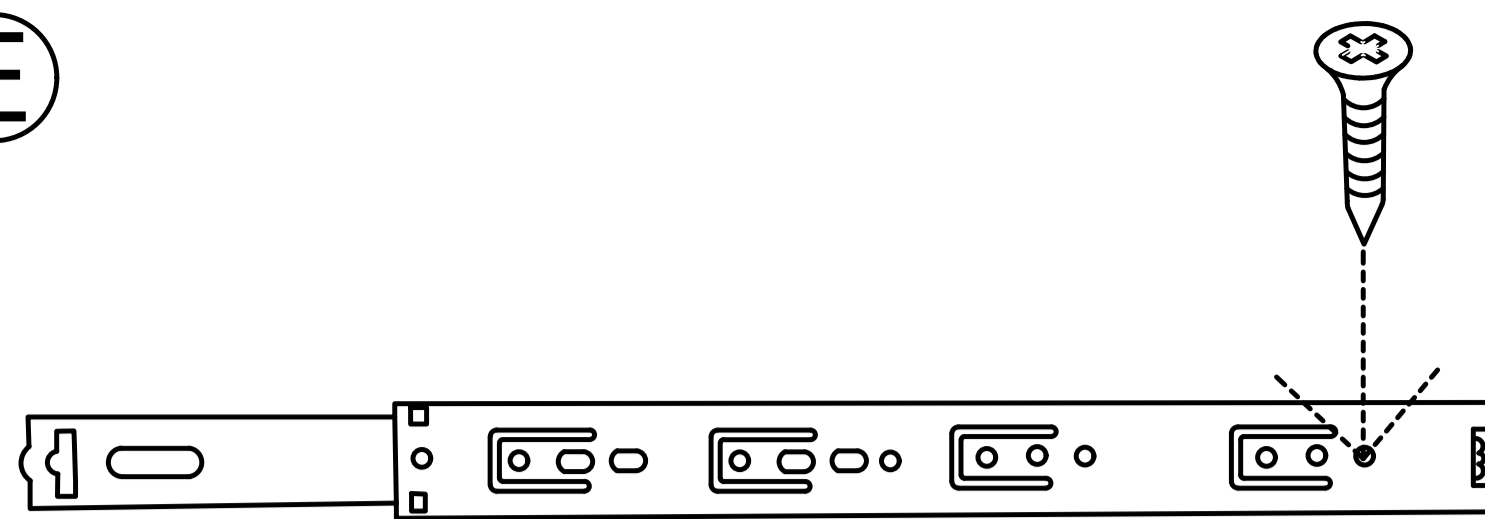
Note: Turn the cabinet over for easy installation of nuts.

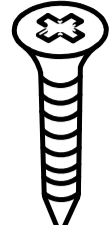
Need to flip over

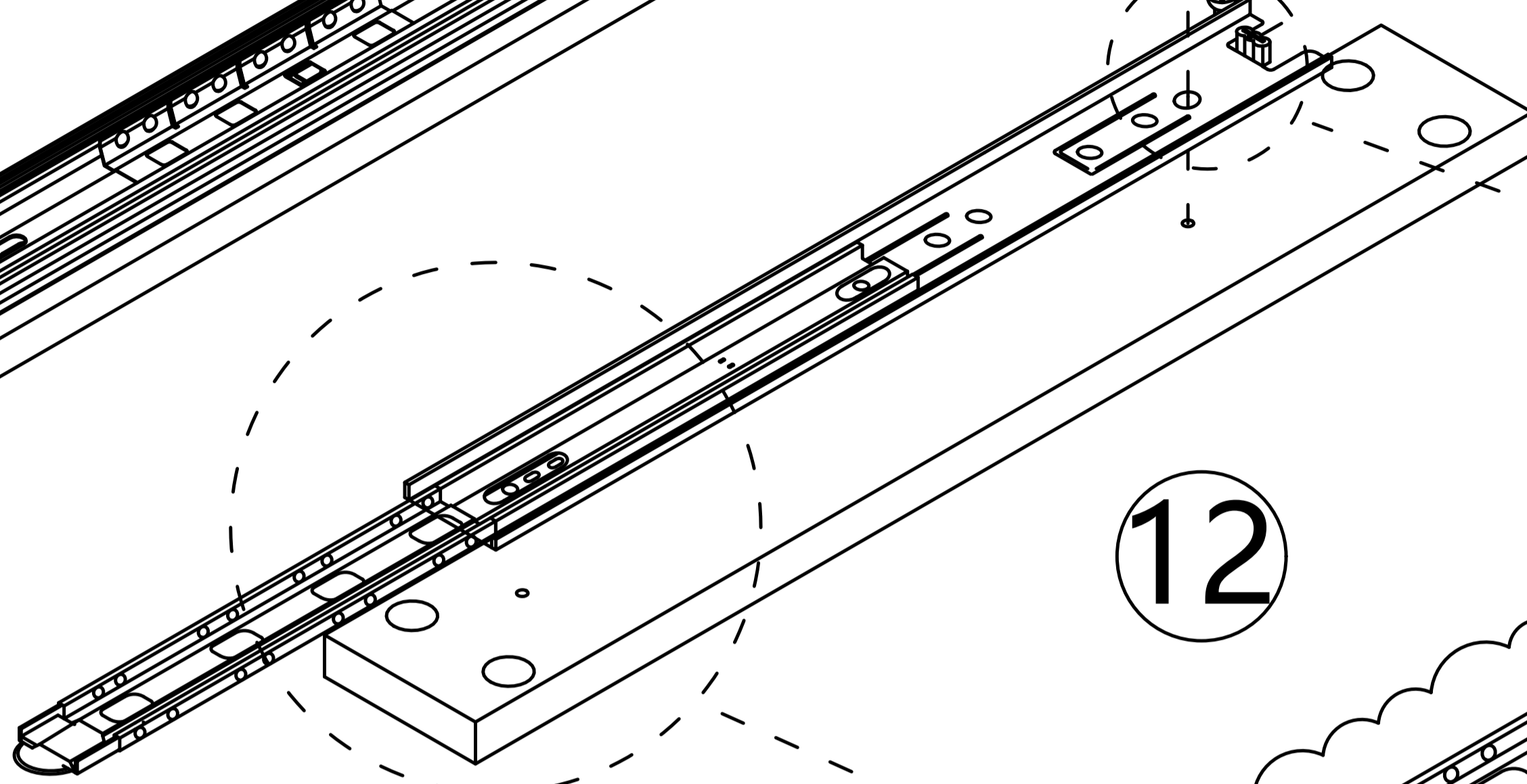
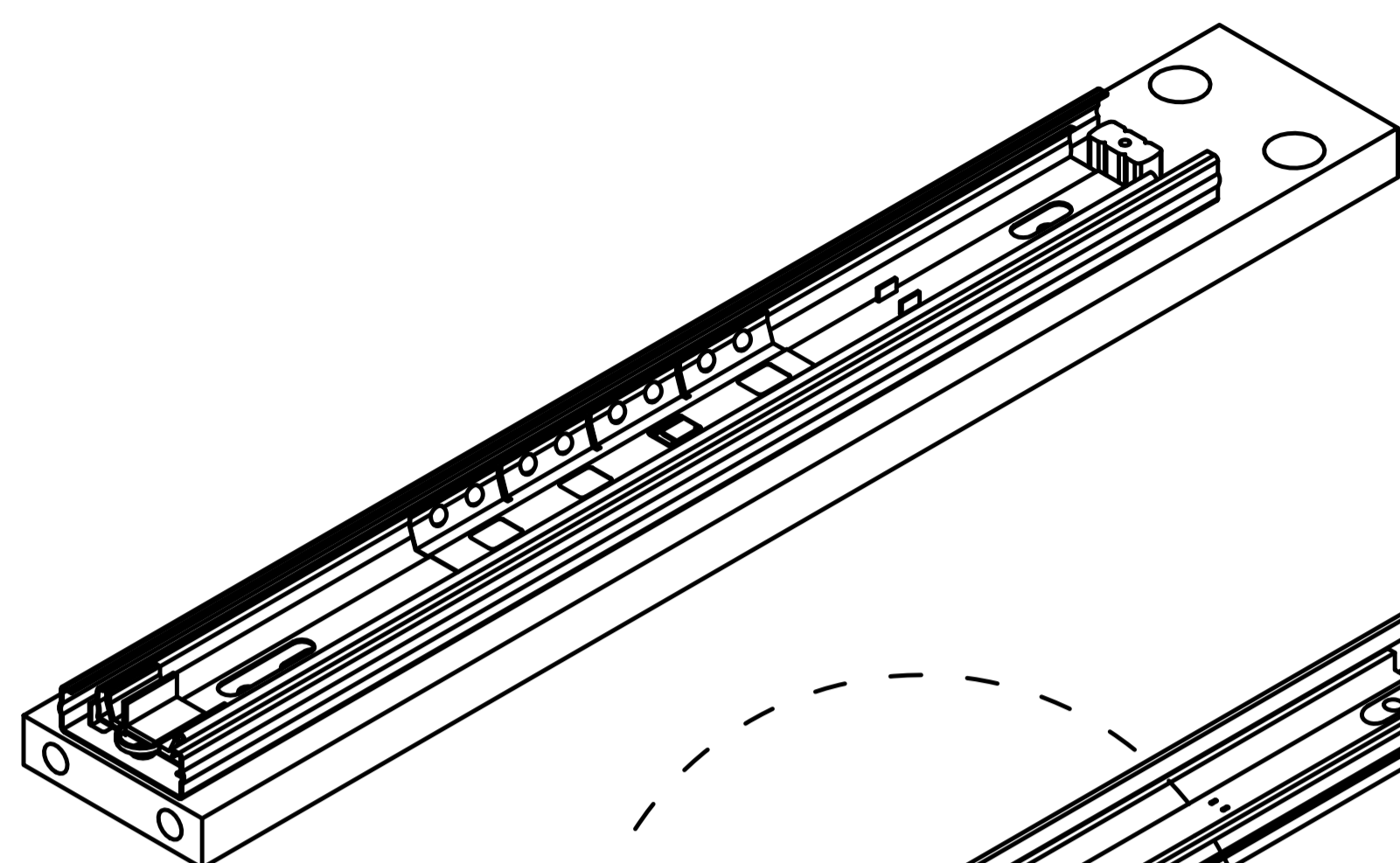


# Step 21

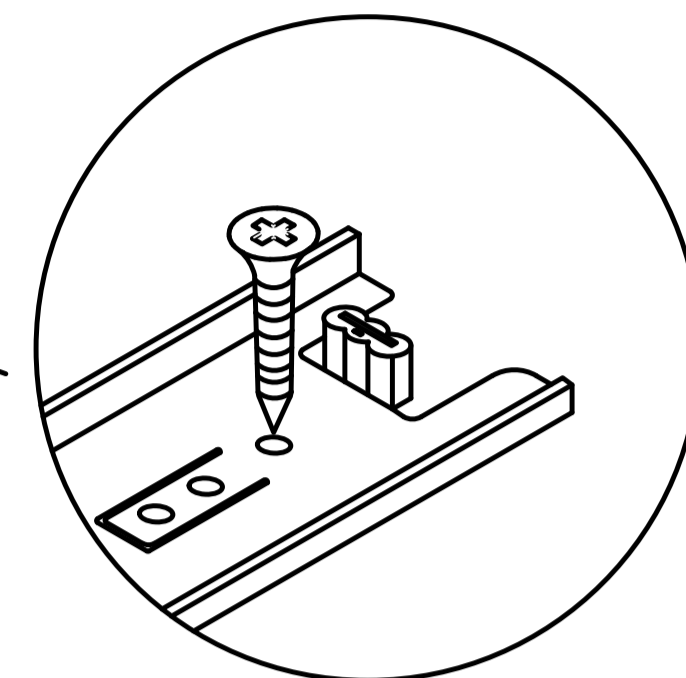
(E)



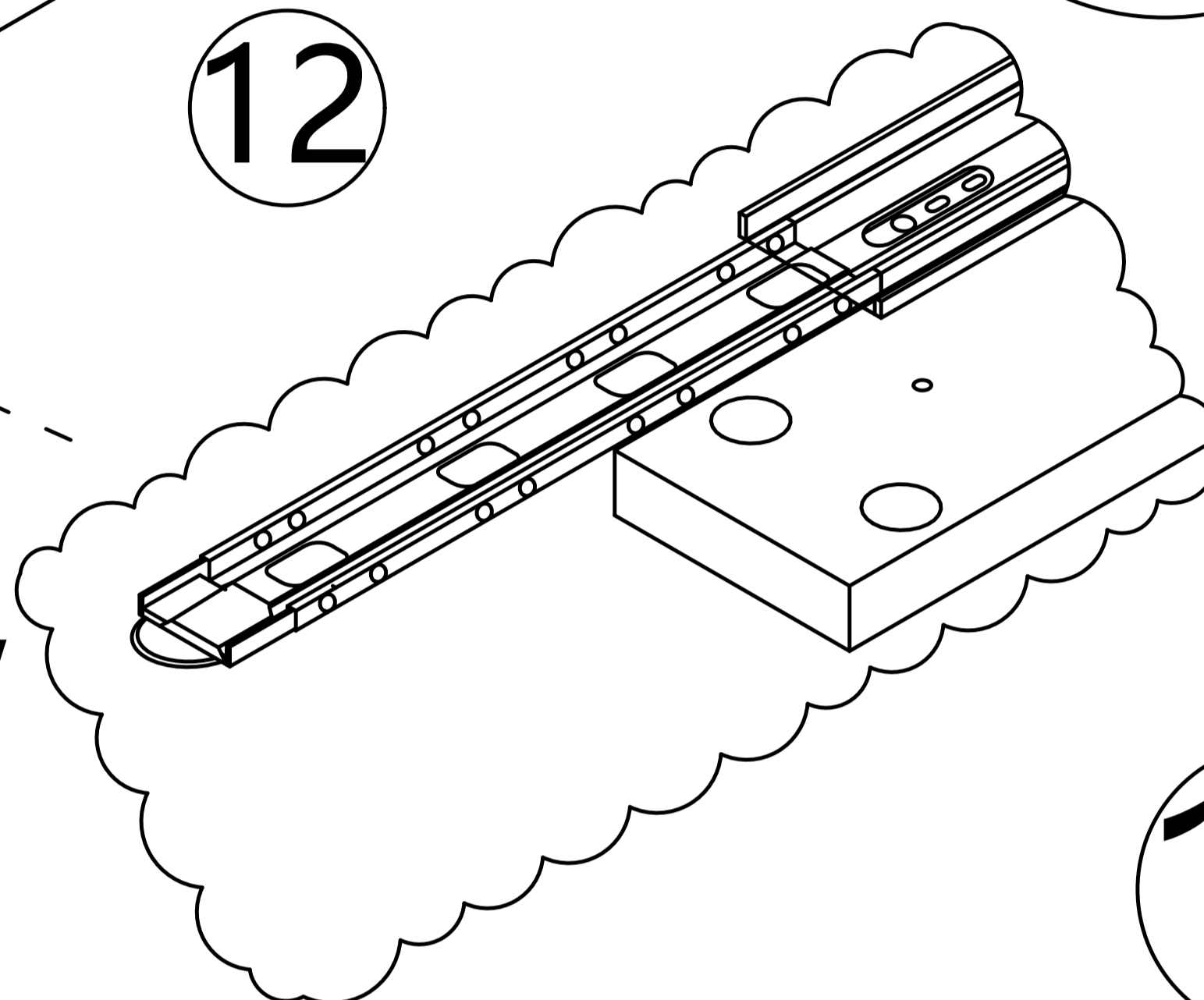
x2  x2



Note: Install only the rear holes.



12

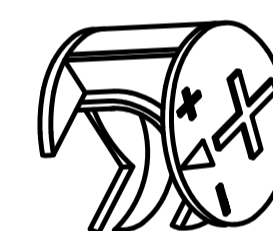


The guide rail at this location will not be screwed on for now

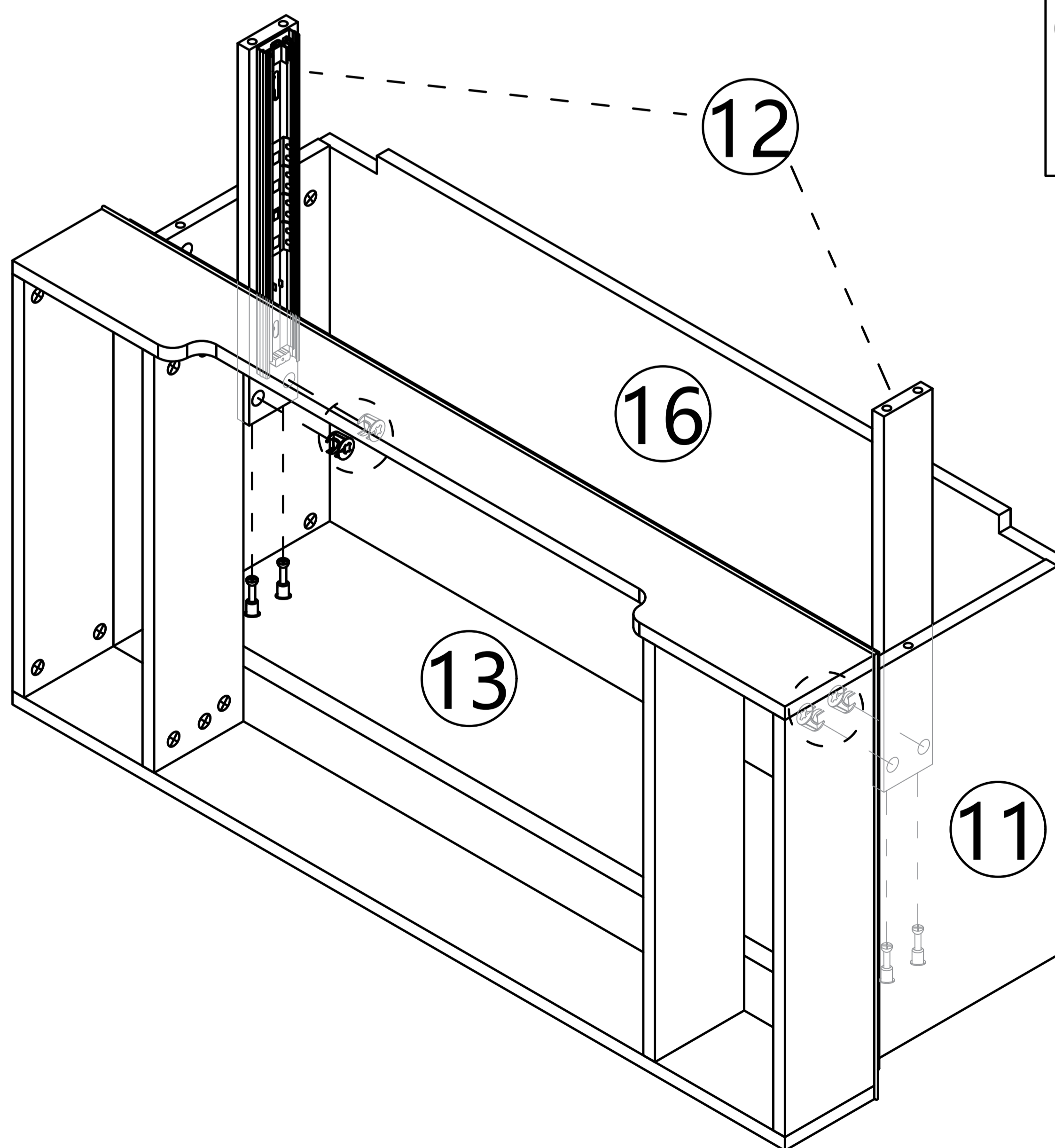
12 x 2

# Step 22

(B)



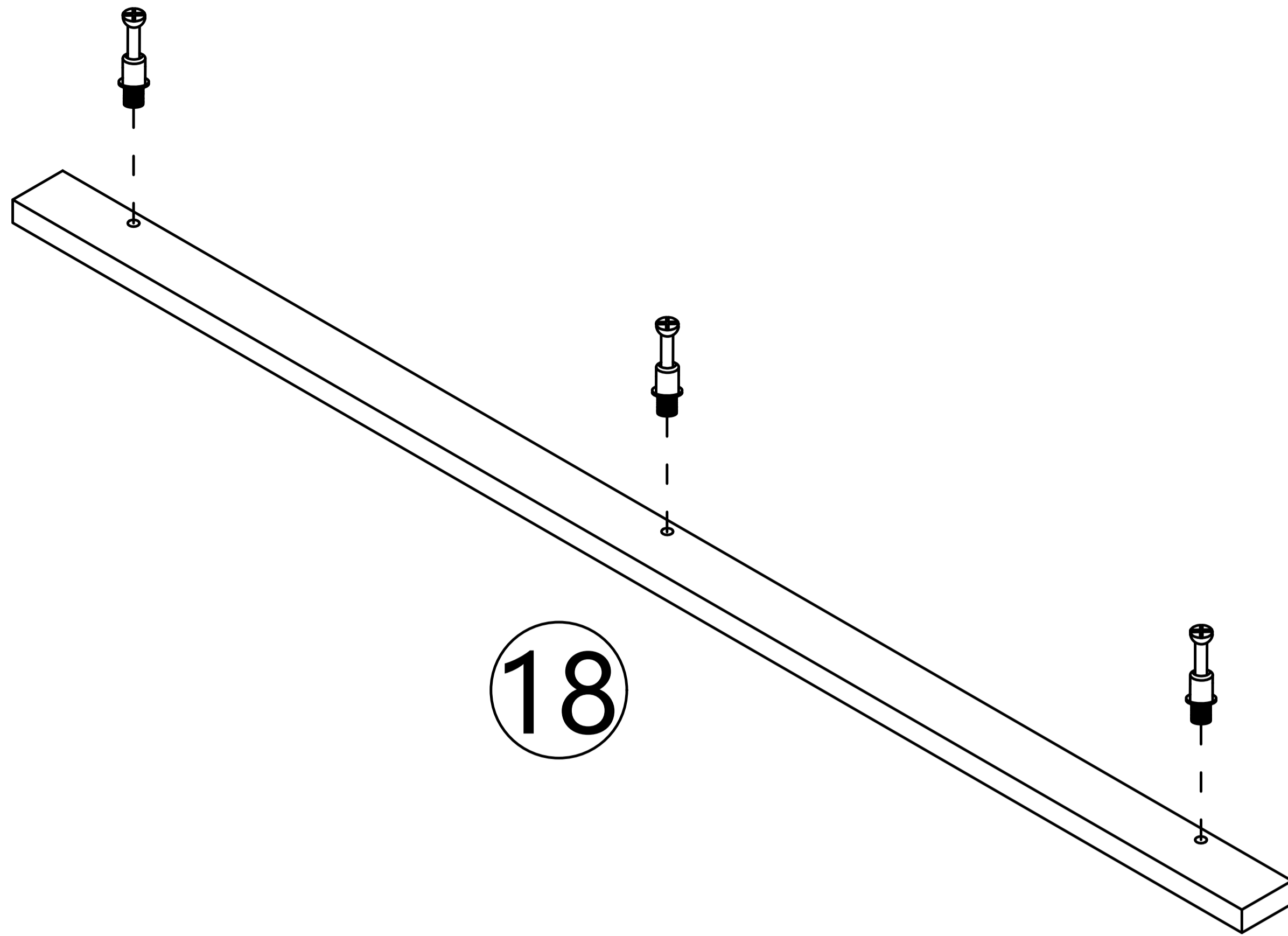
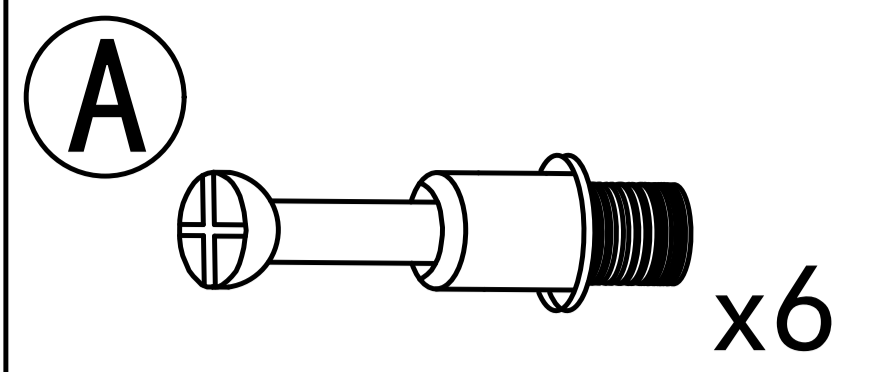
x4



Note: the side of the guide rail where the screws are installed is installed to the 13th board.

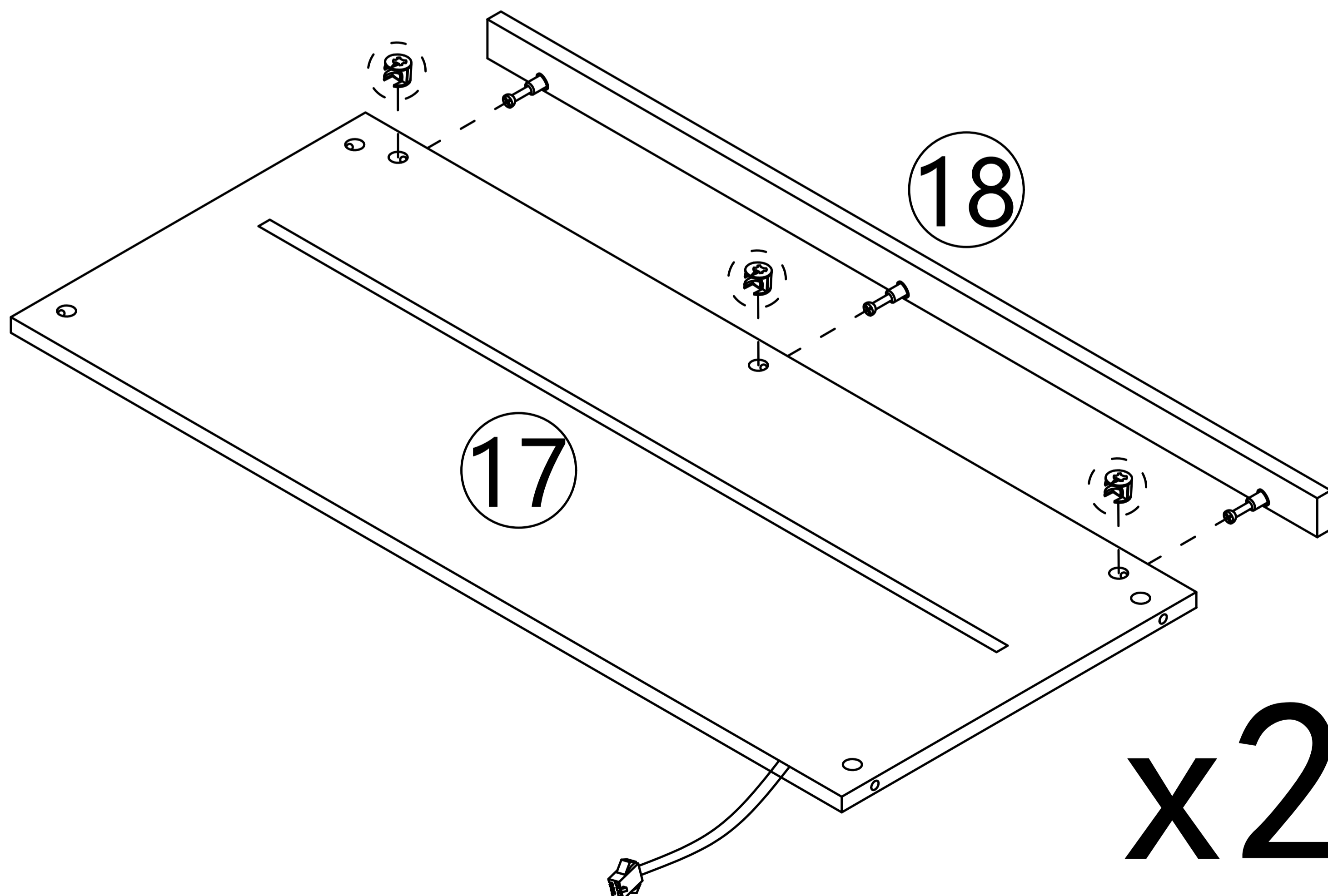
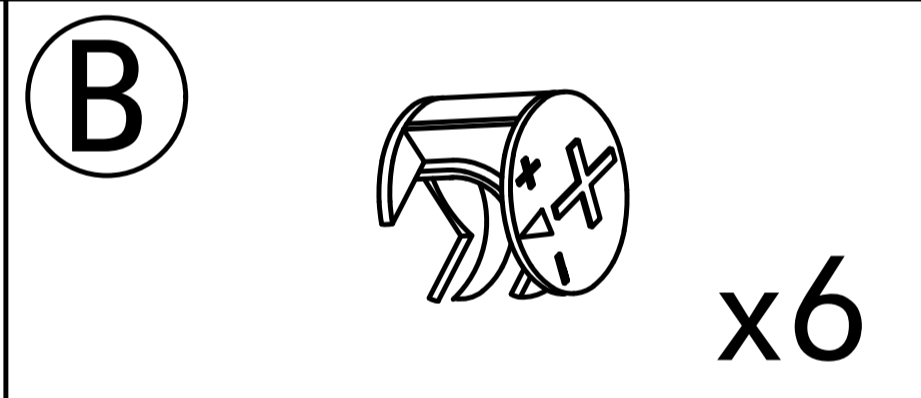
17

Step 23

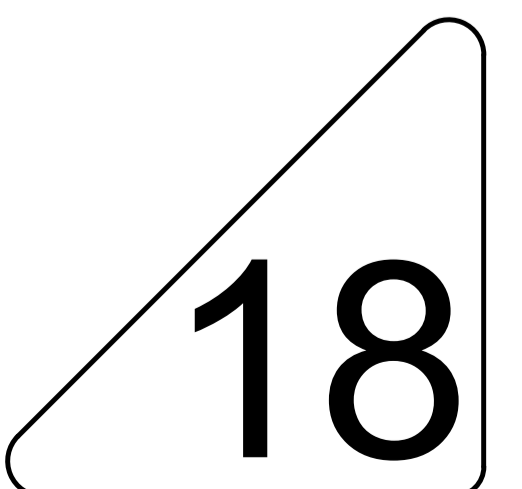


18 x 2

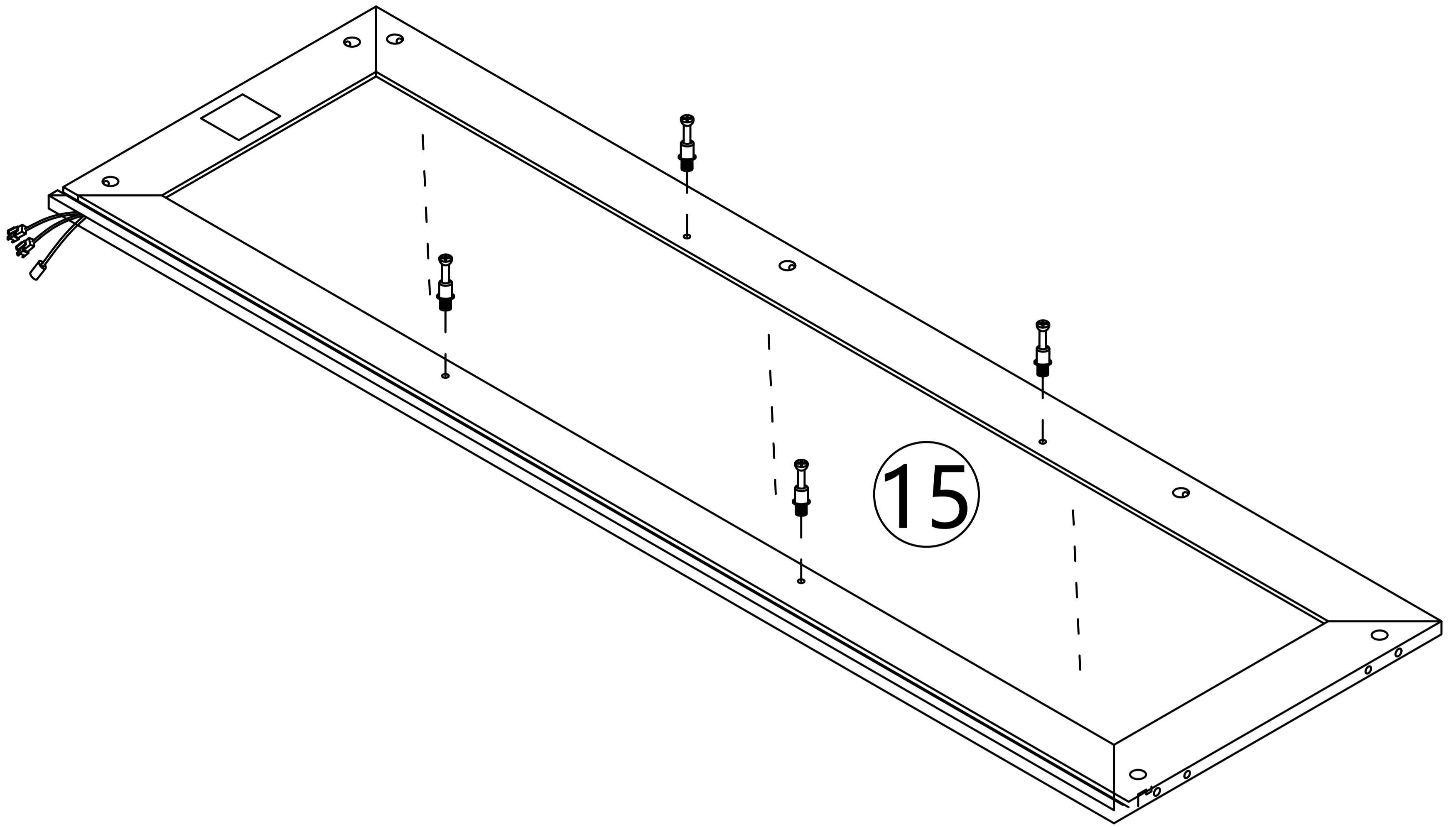
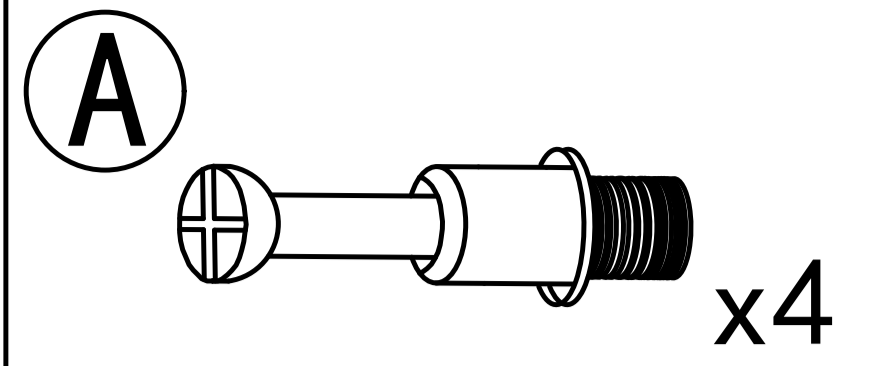
Step 24



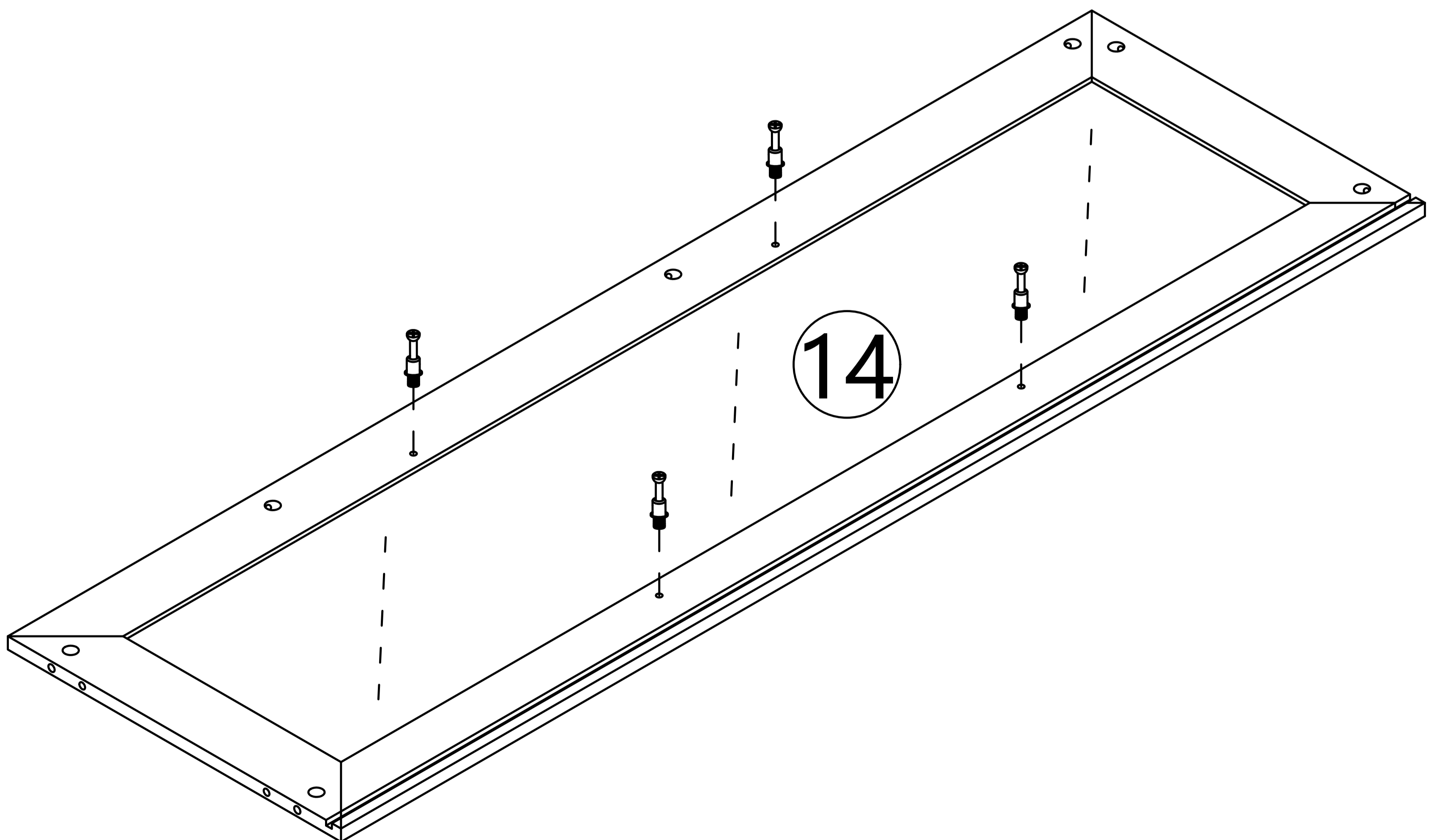
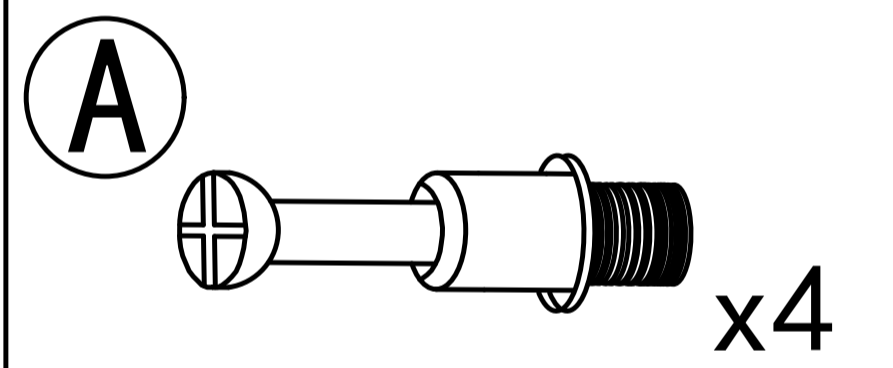
x 2



Step 25

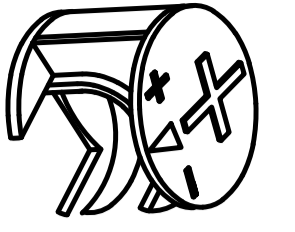


Step 26

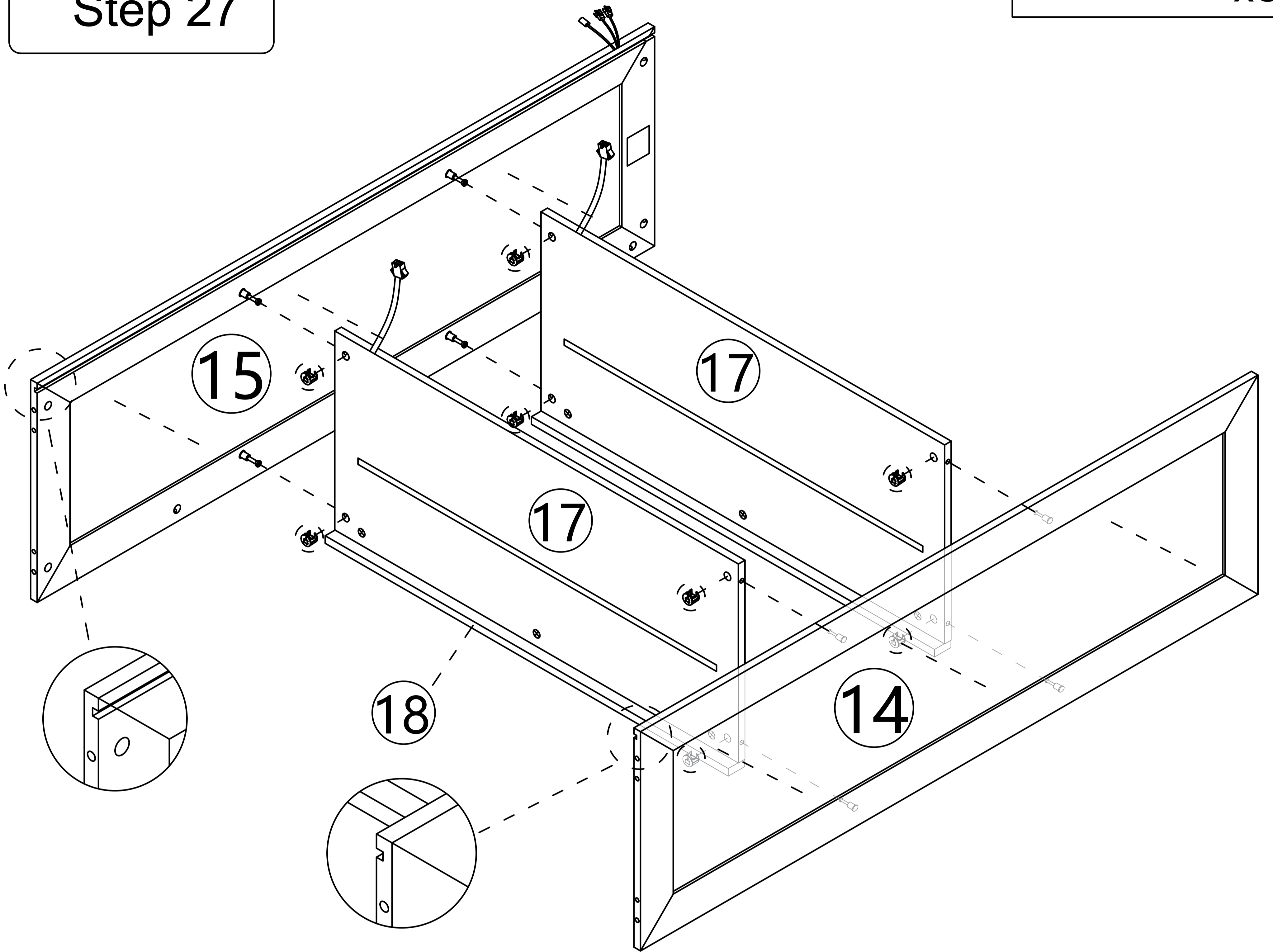


# Step 27

B

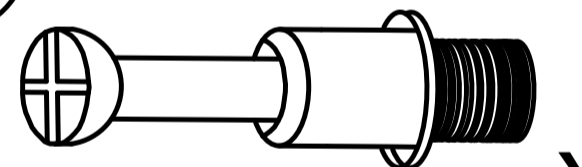


x8



# Step 28

A

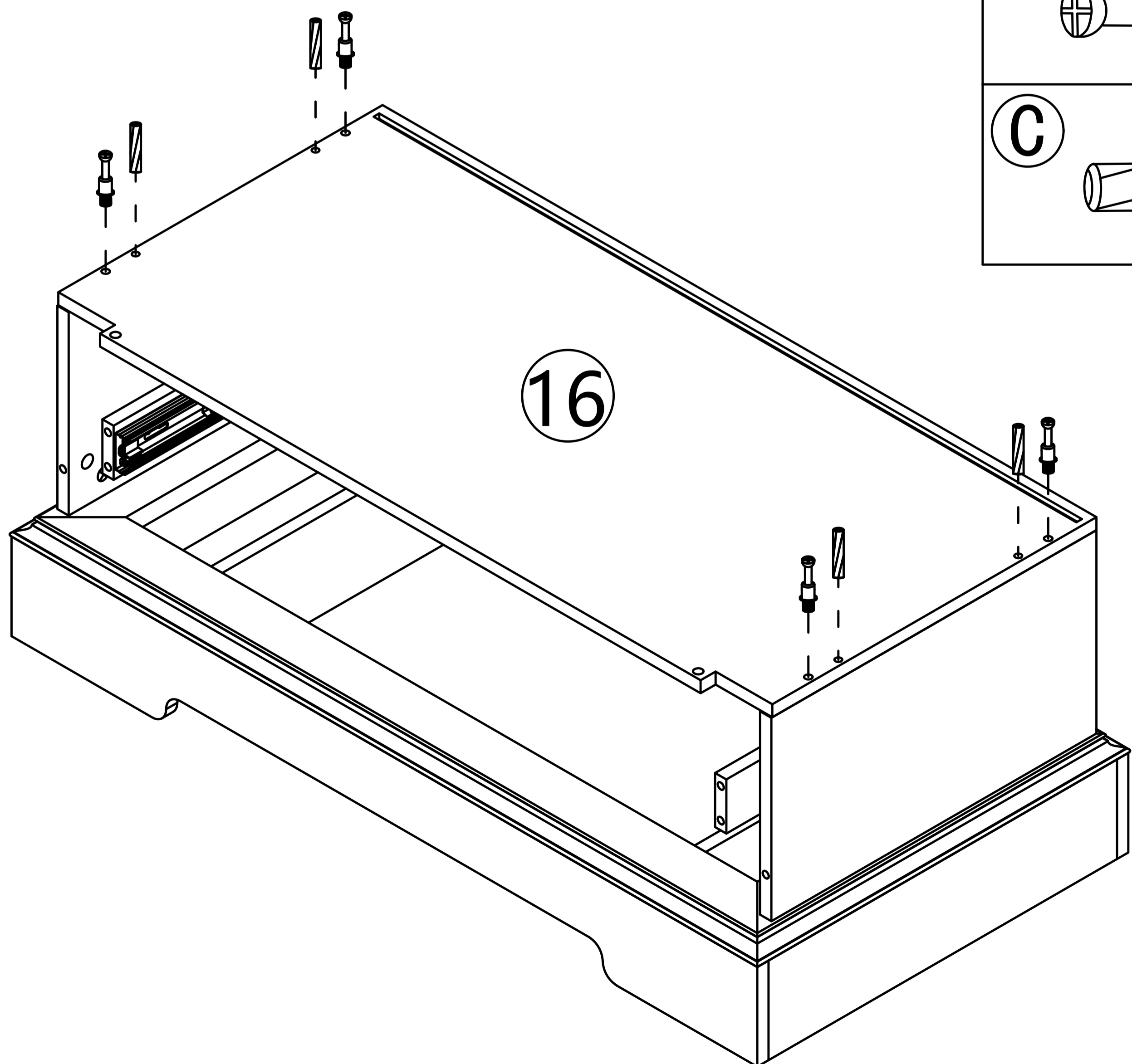


x4

C

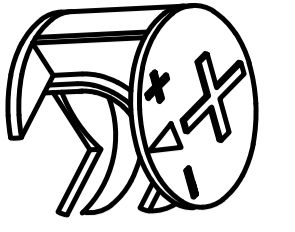


x4

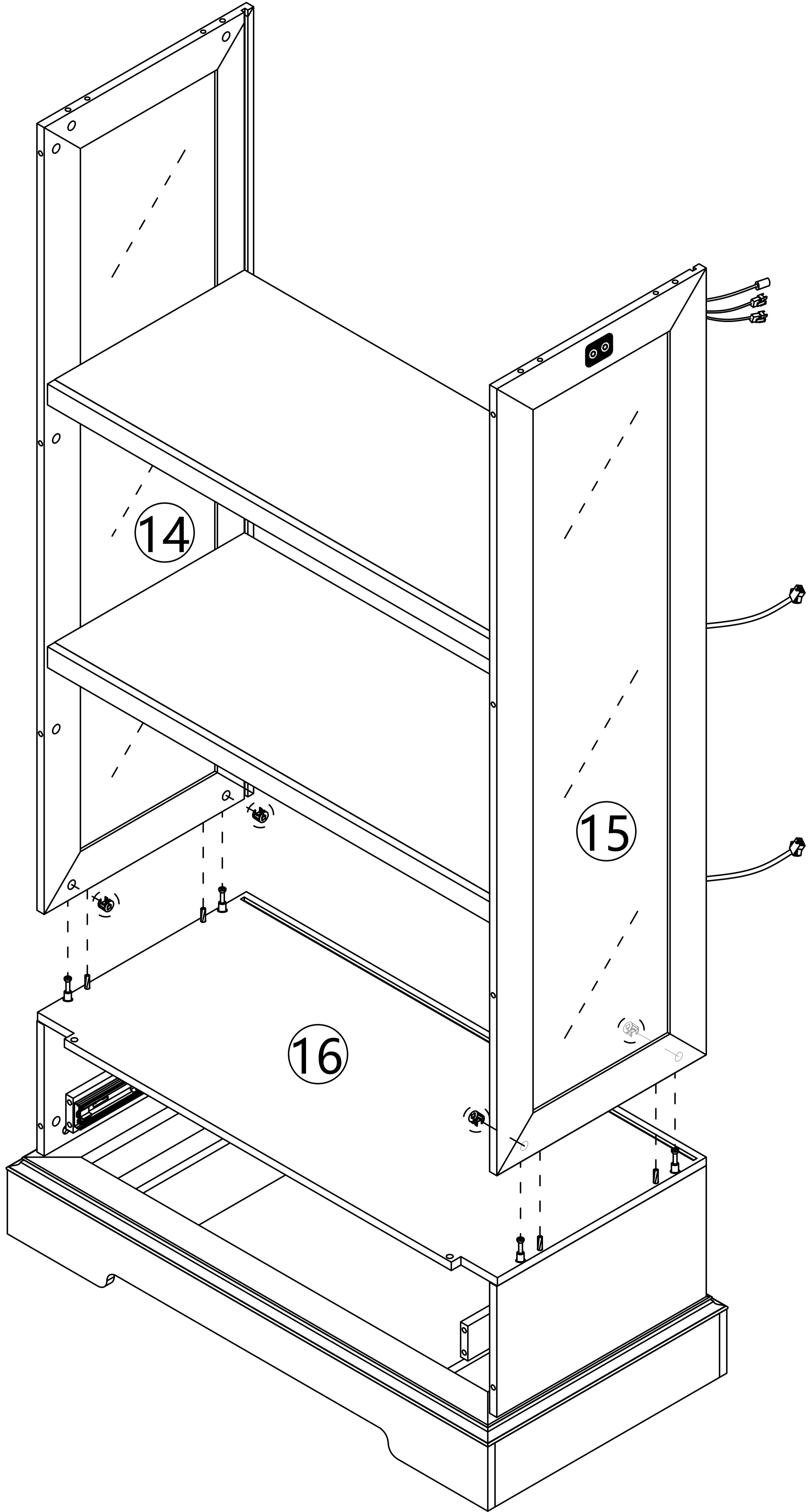


Step 29

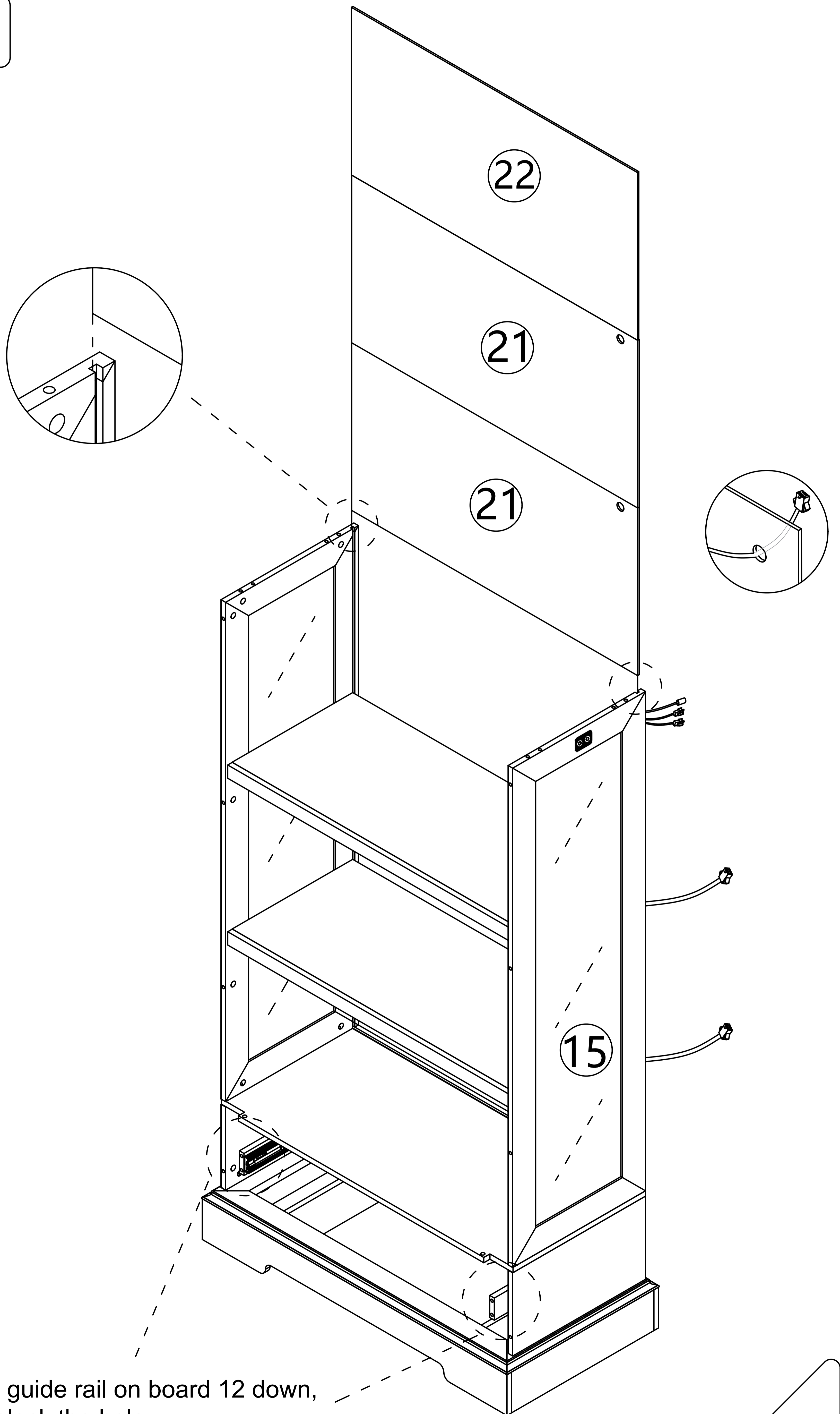
B



x4

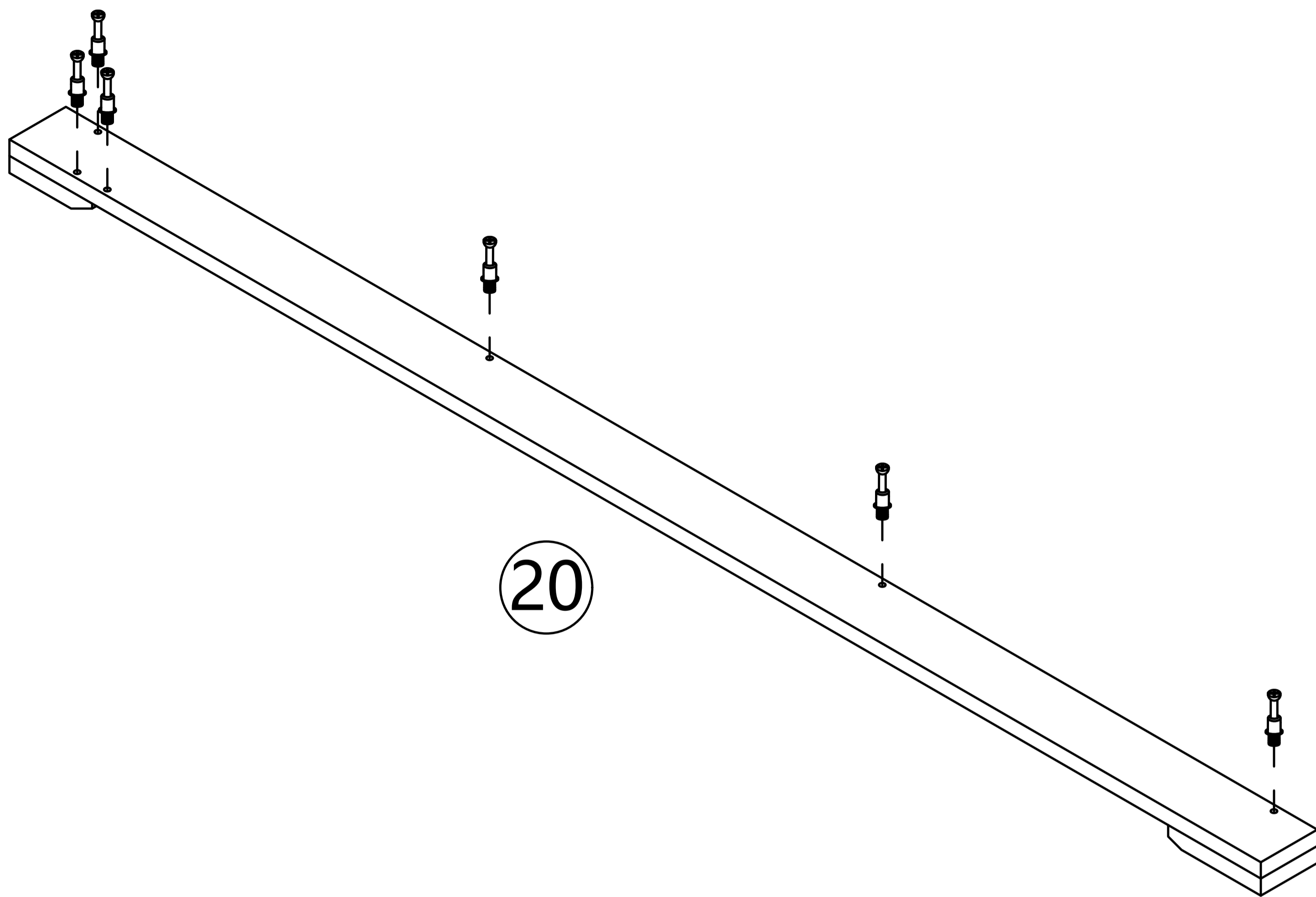
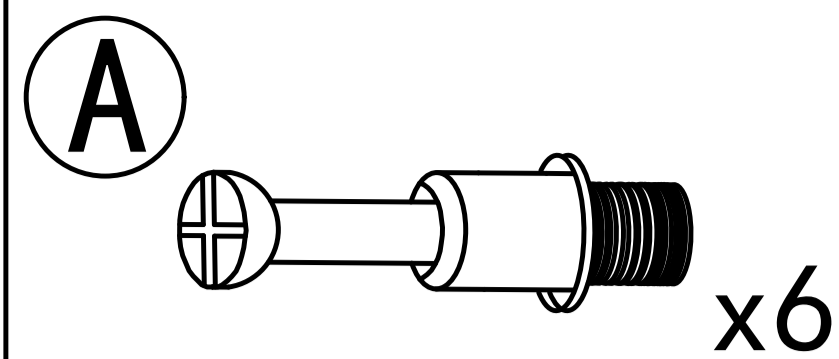


# Step 30

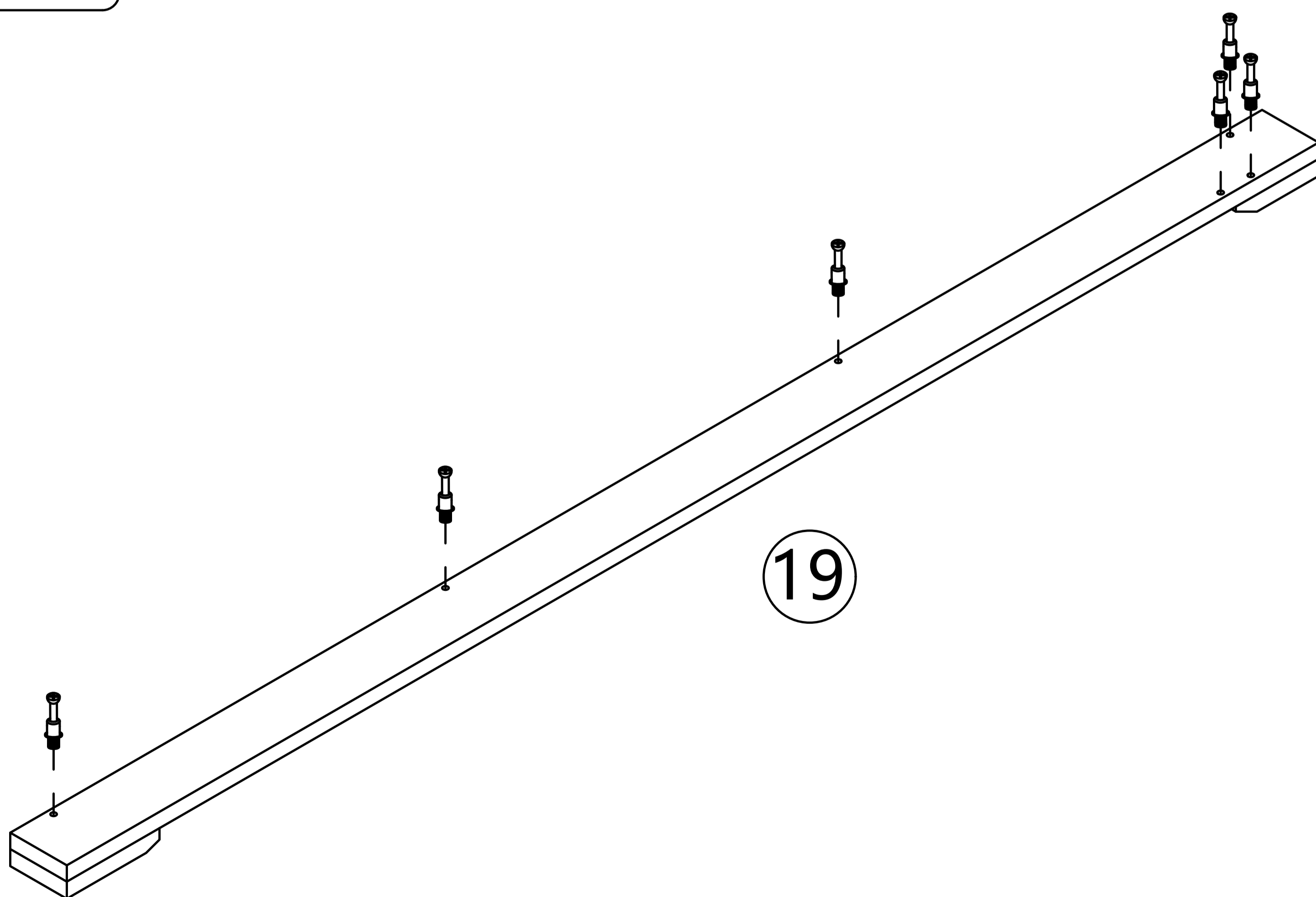
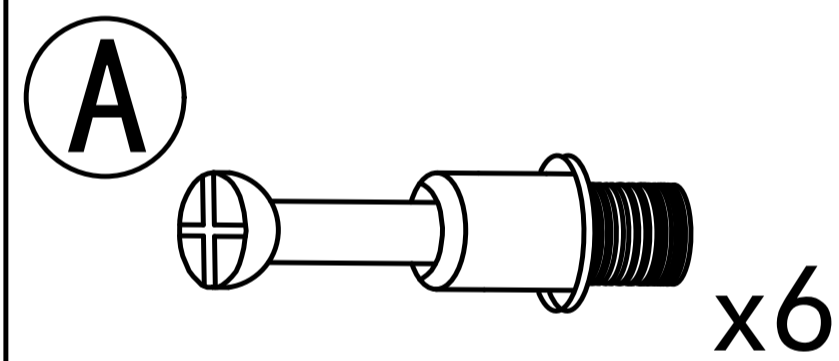


Note: Move the guide rail on board 12 down, and don't let it block the hole.

Step 31

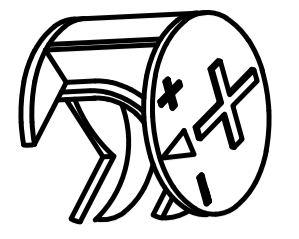


Step 32

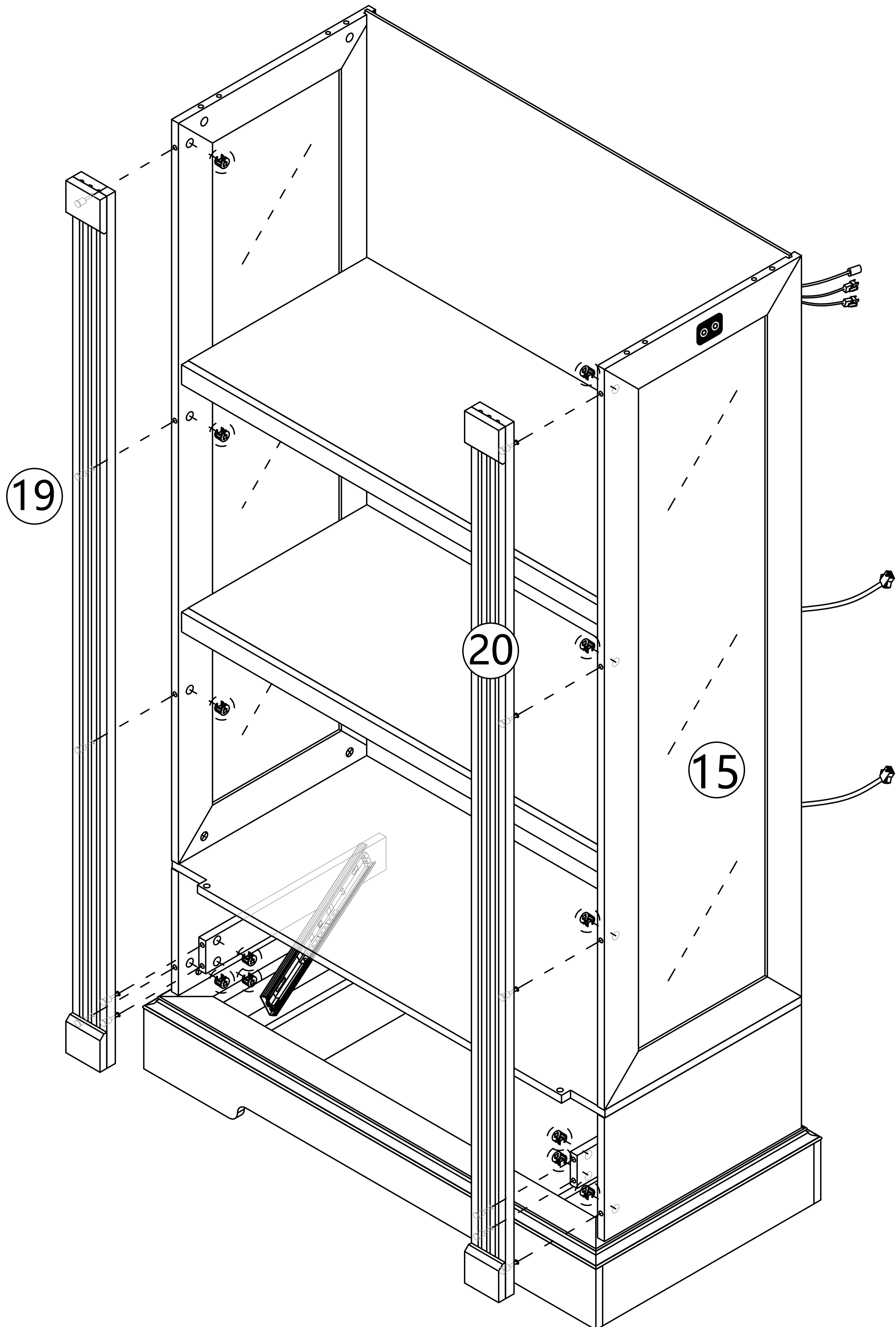


Step 33

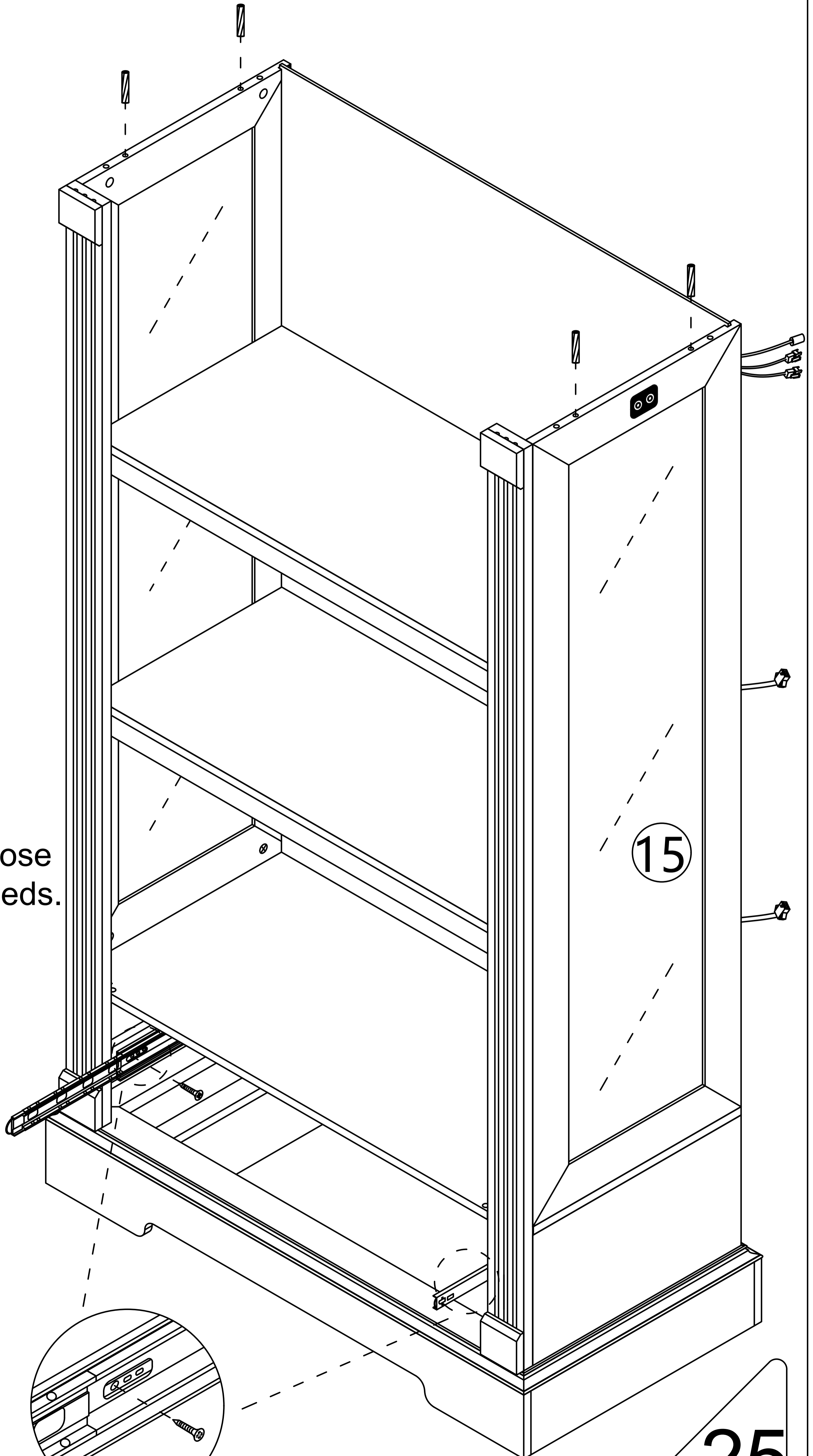
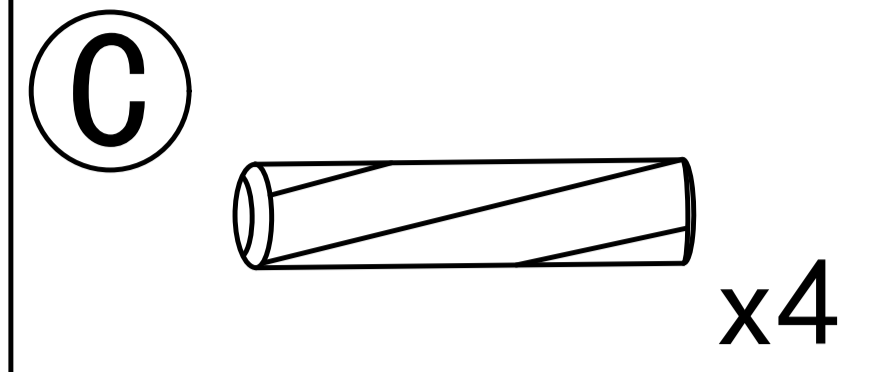
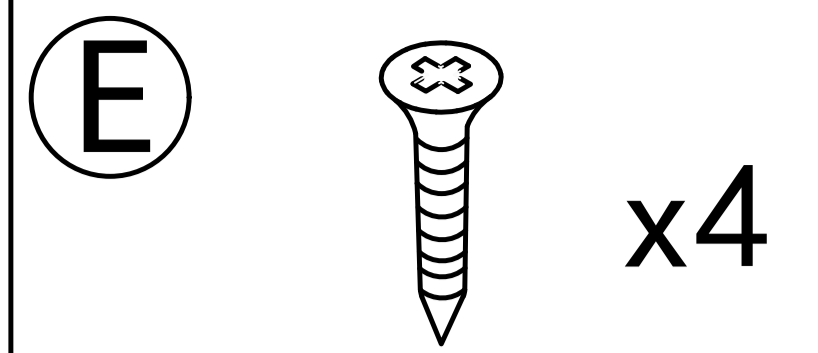
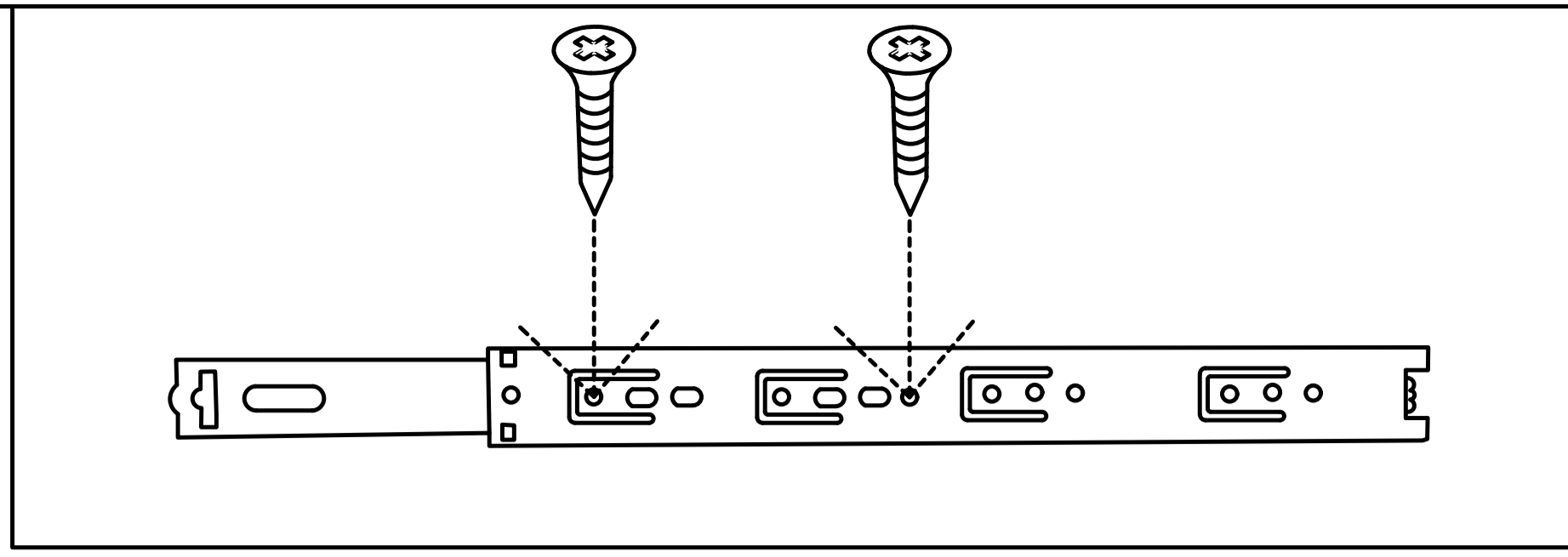
B



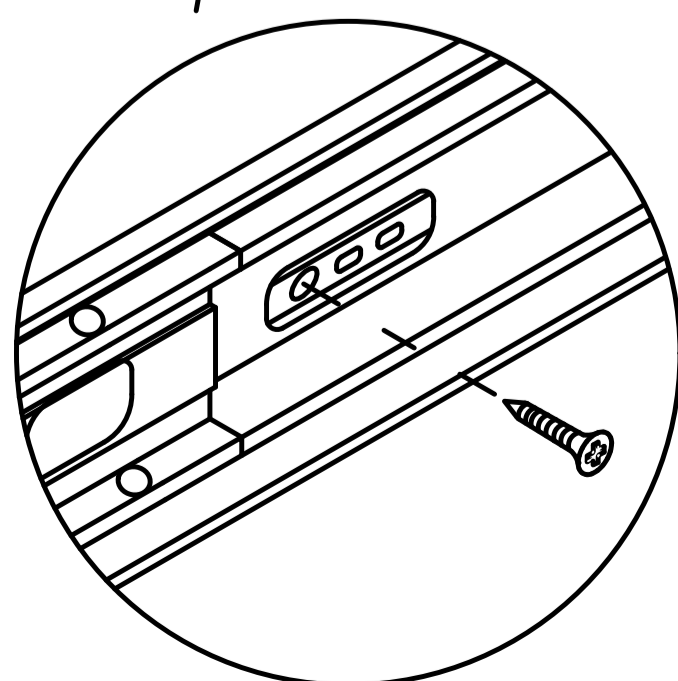
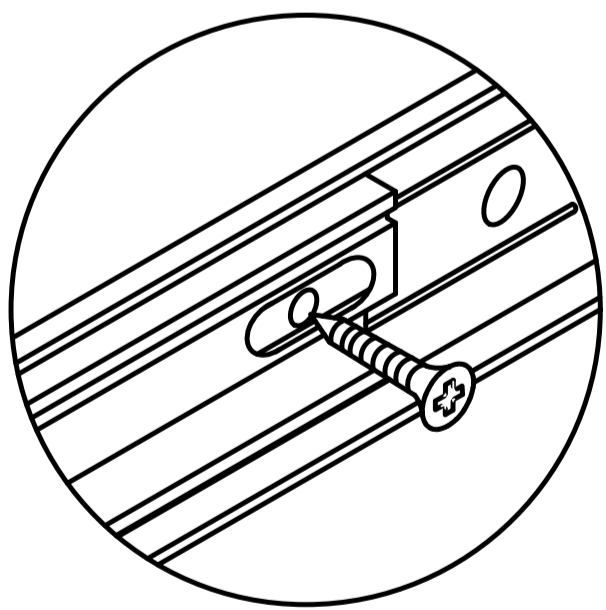
x12



# Step 34

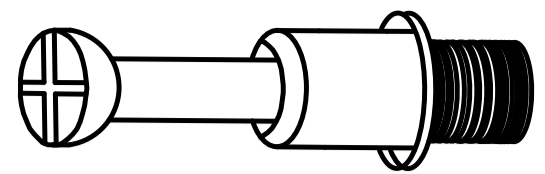



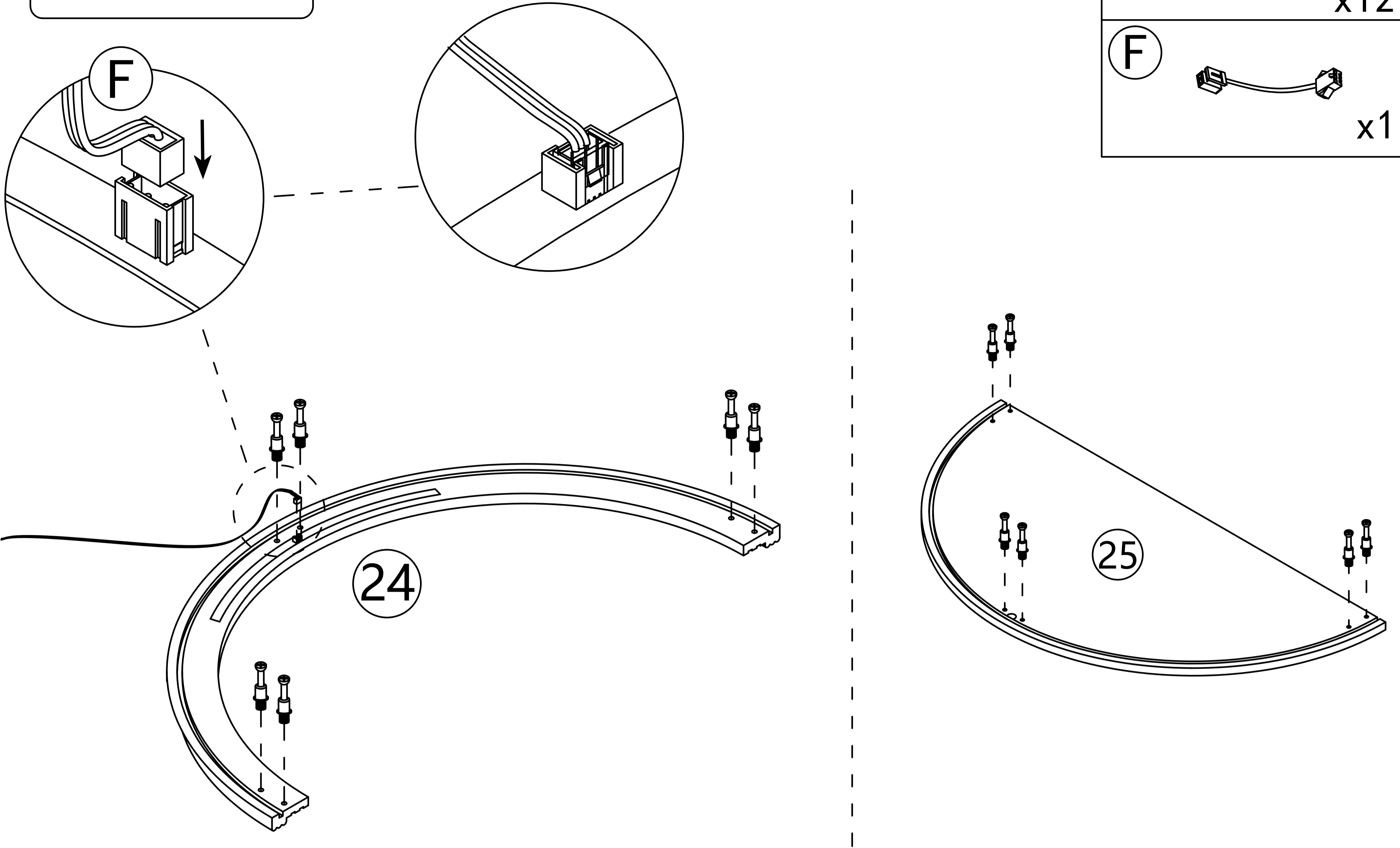
This hole is for strengthening fixed hole customers can choose to install according to their needs.



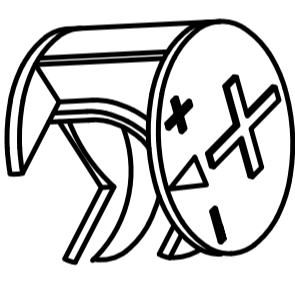
# Step 35

# Connect the light cable socket

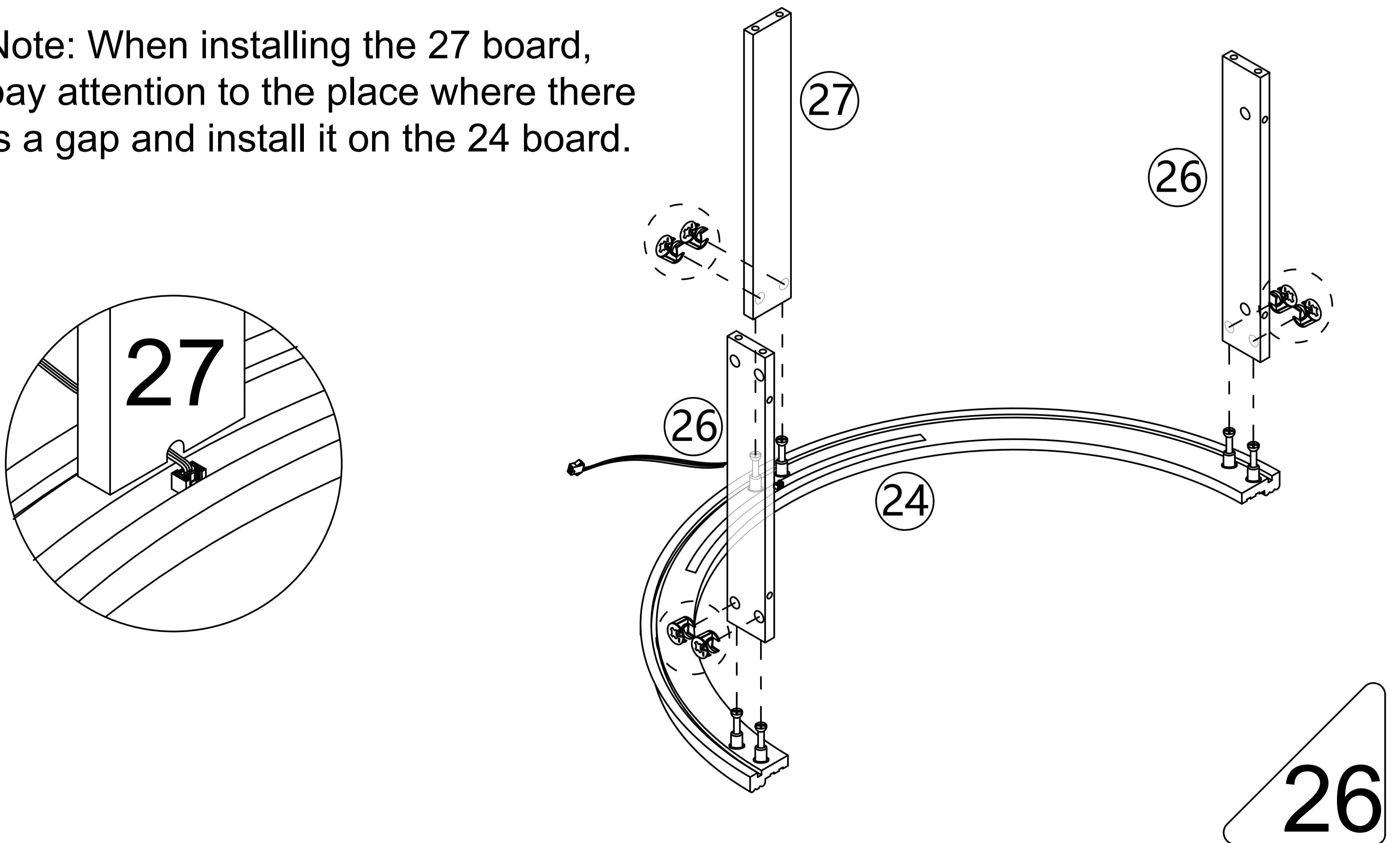
- A**  x12
- F**  x1



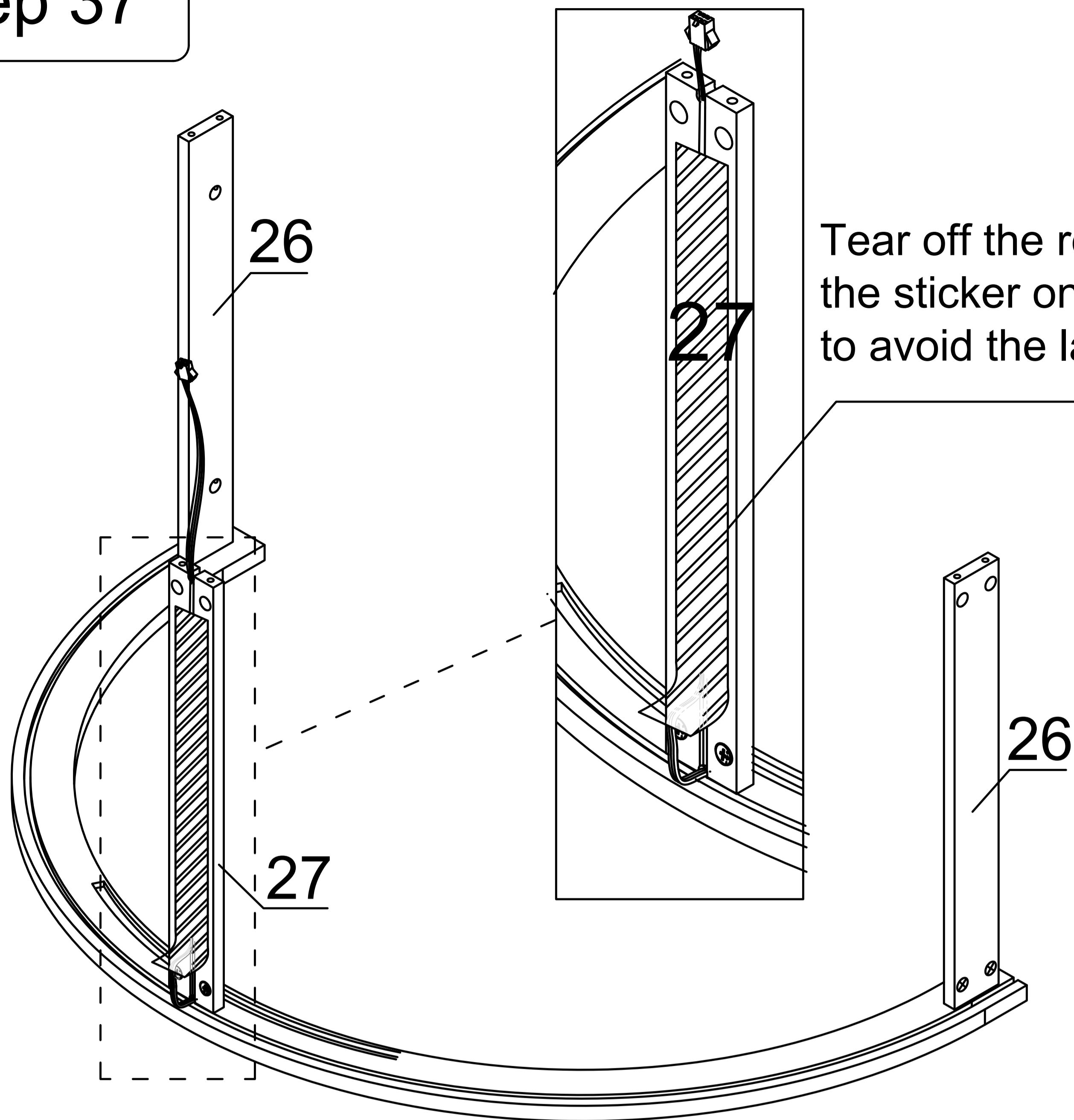
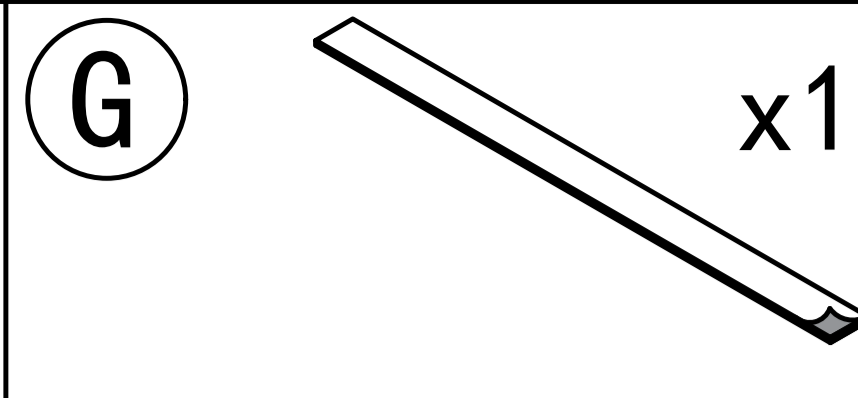
# Step 36

- B**  x6

Note: When installing the 27 board, pay attention to the place where there is a gap and install it on the 24 board.



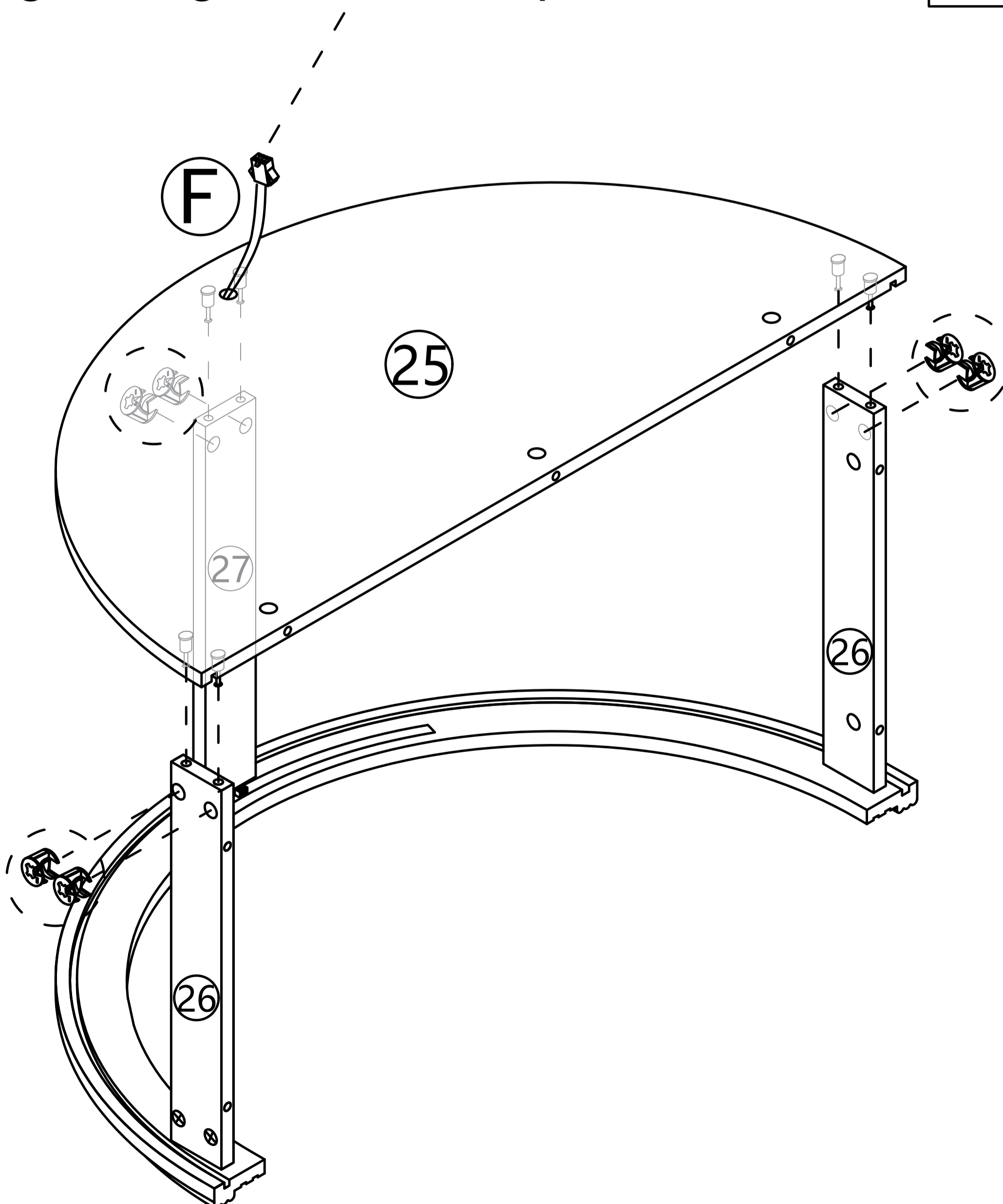
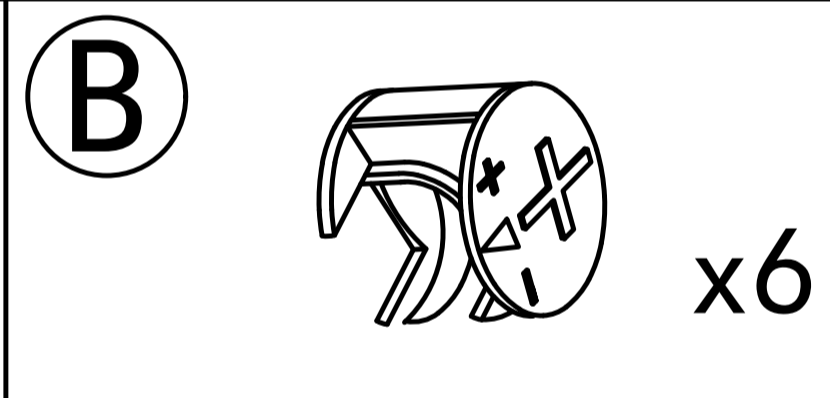
# Step 37



Tear off the release paper and stick the sticker on the 27-plate lamp slot to avoid the lamp wire from falling off.

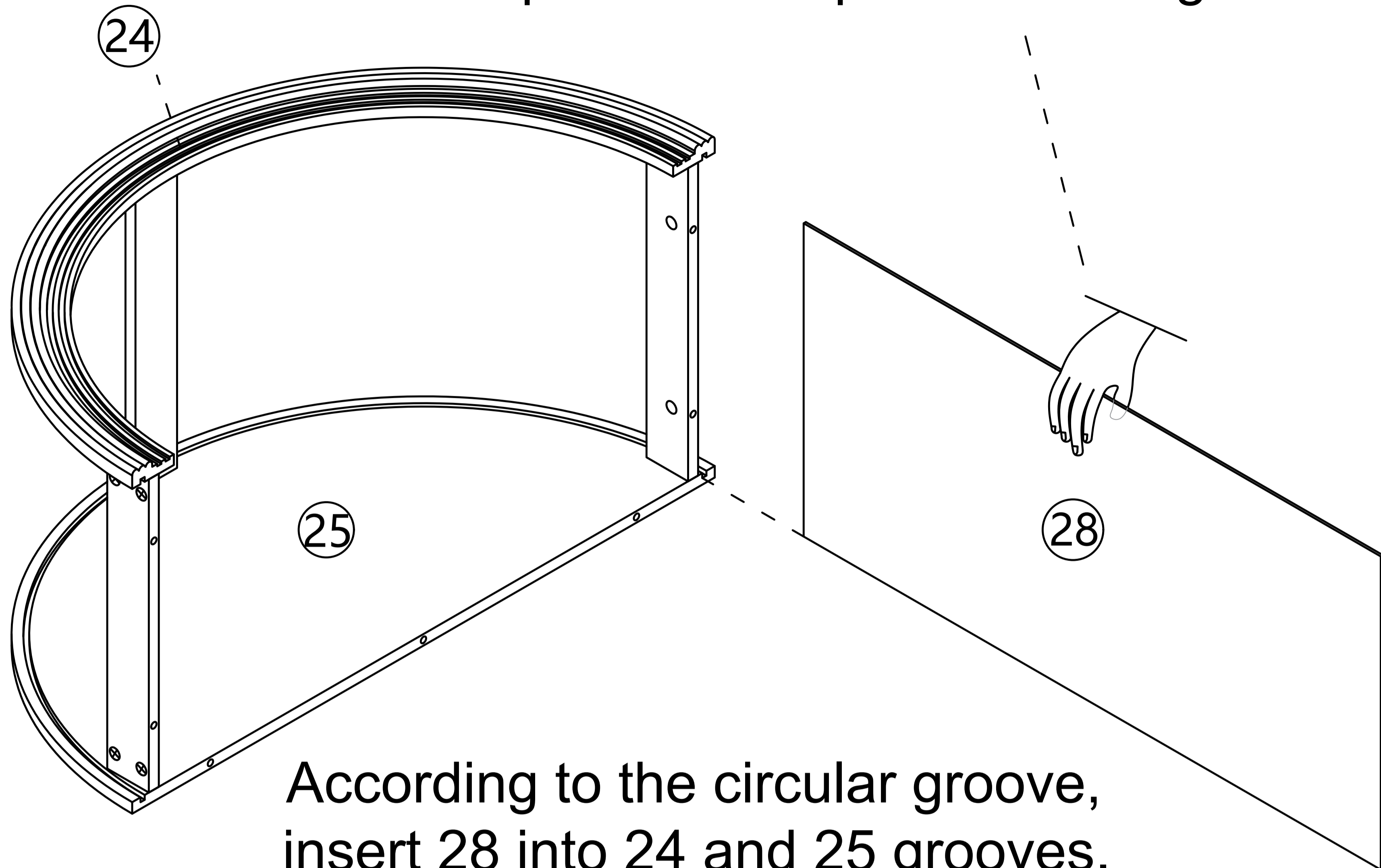
# Step 38

Passing through the hole of plate 25



## Step 39

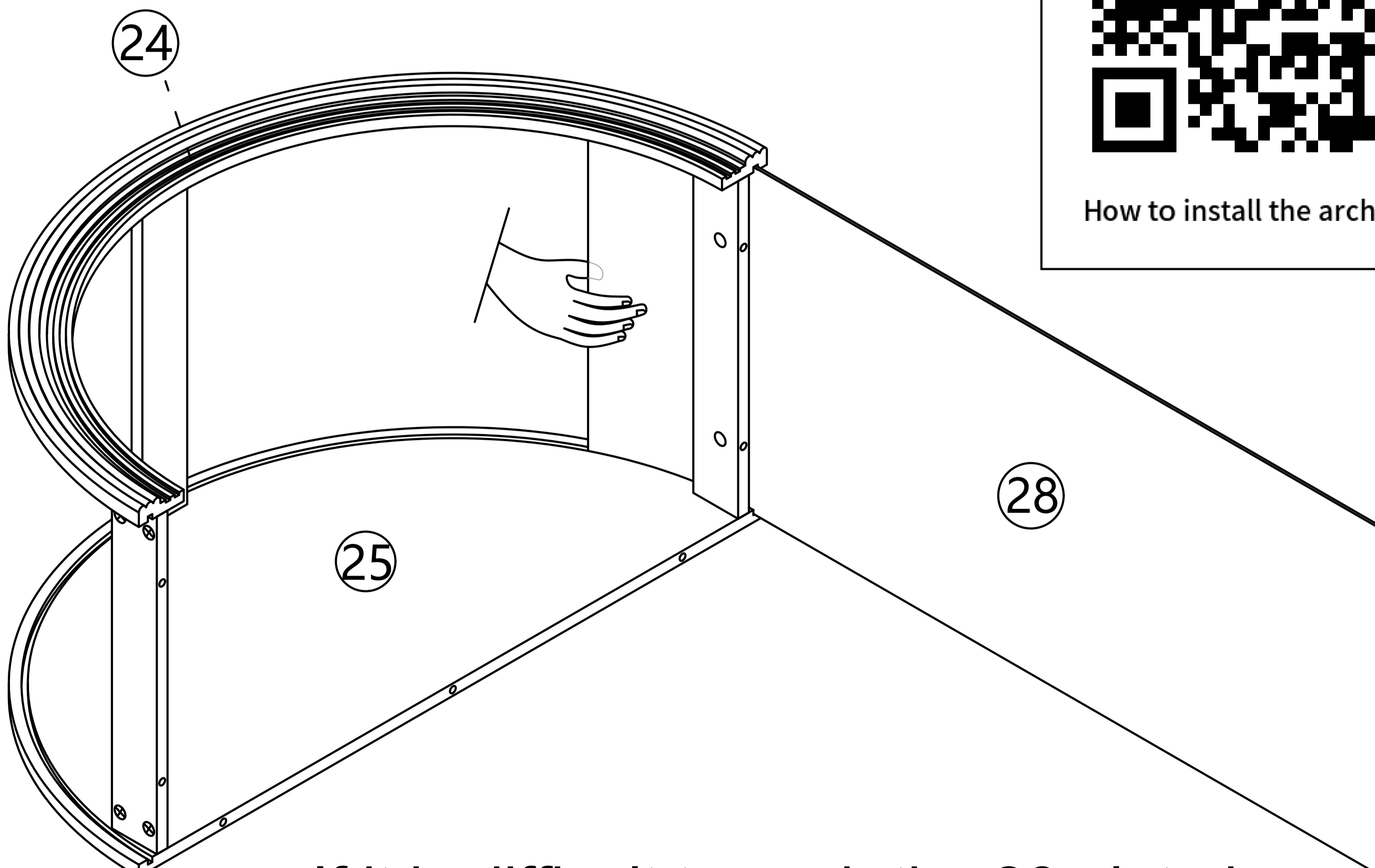
Note: When installing the 28 plate, push the middle of the 28 plate by hand to push the 28 plate into the groove.



According to the circular groove, insert 28 into 24 and 25 grooves.



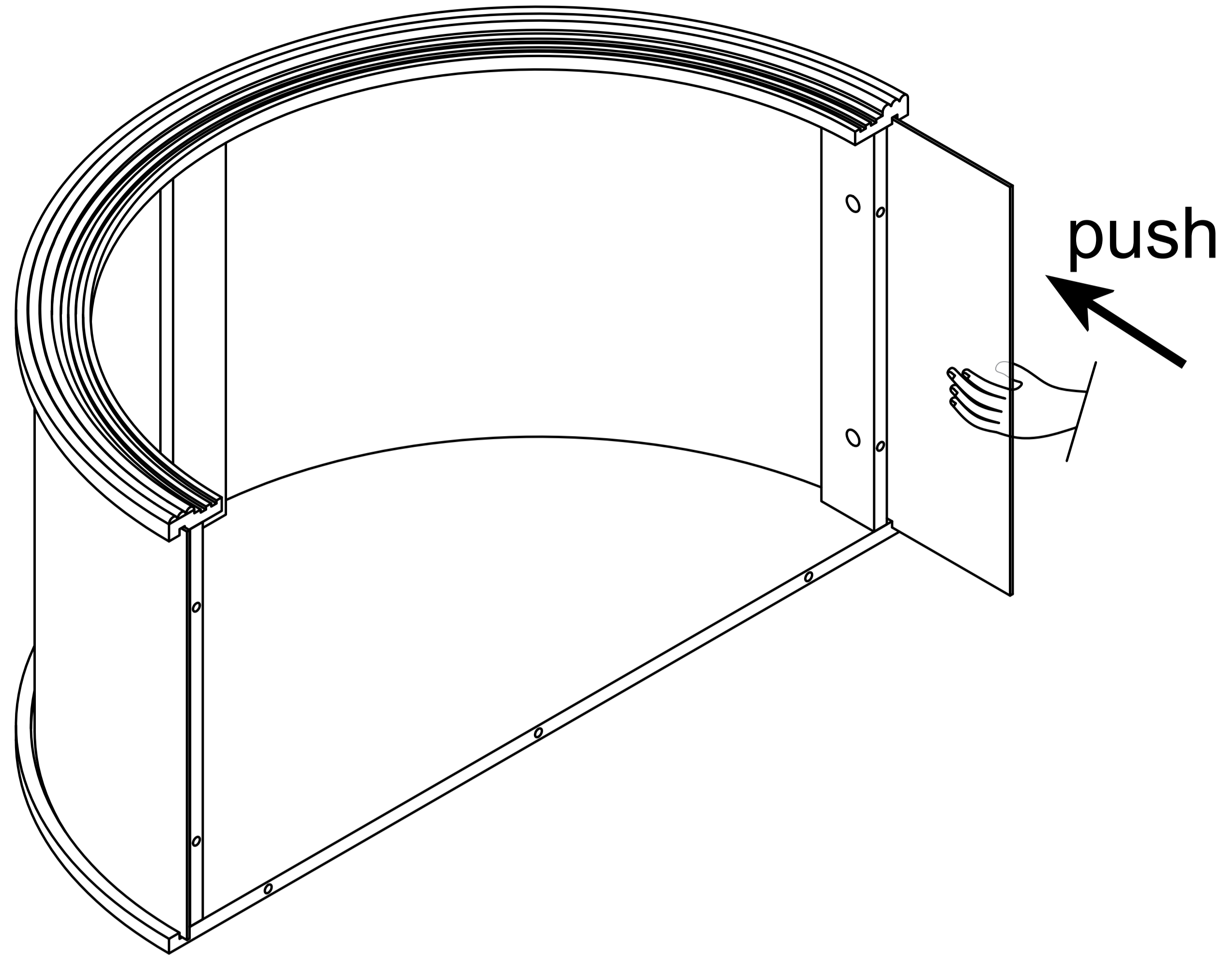
How to install the arched frame



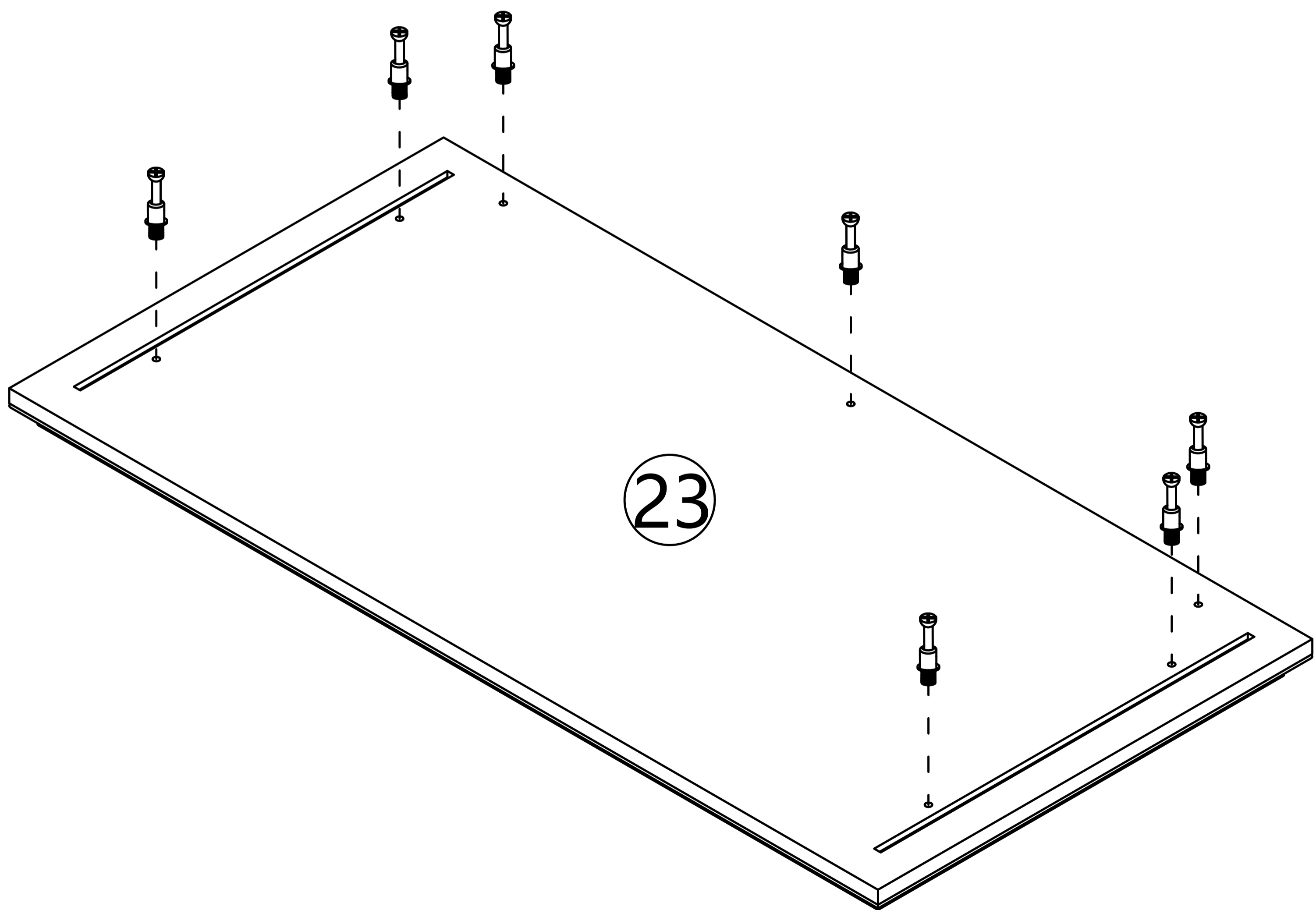
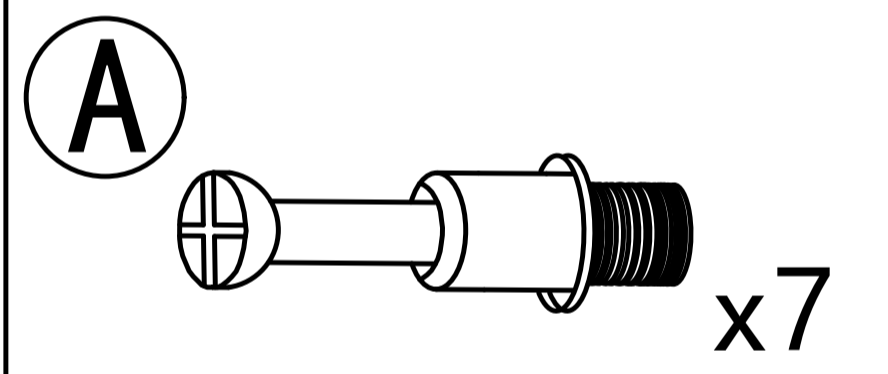
If it is difficult to push the 28 plate in, you can use the pull method.

28

Note:



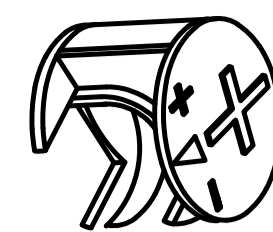
Step 40



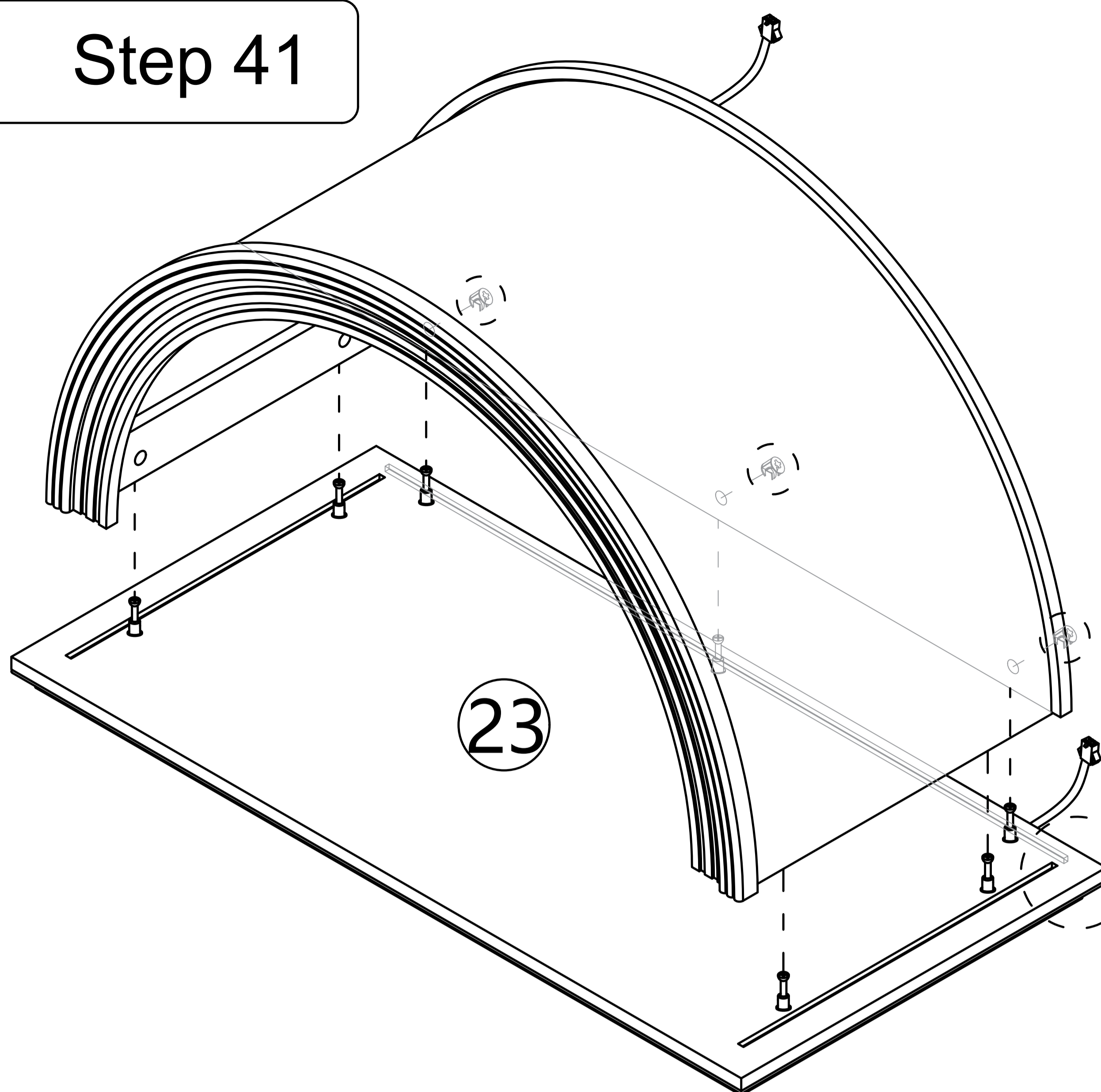
29

# Step 41

(B)



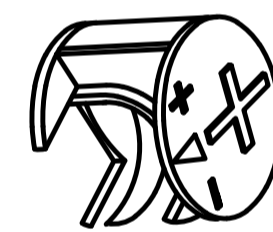
x3



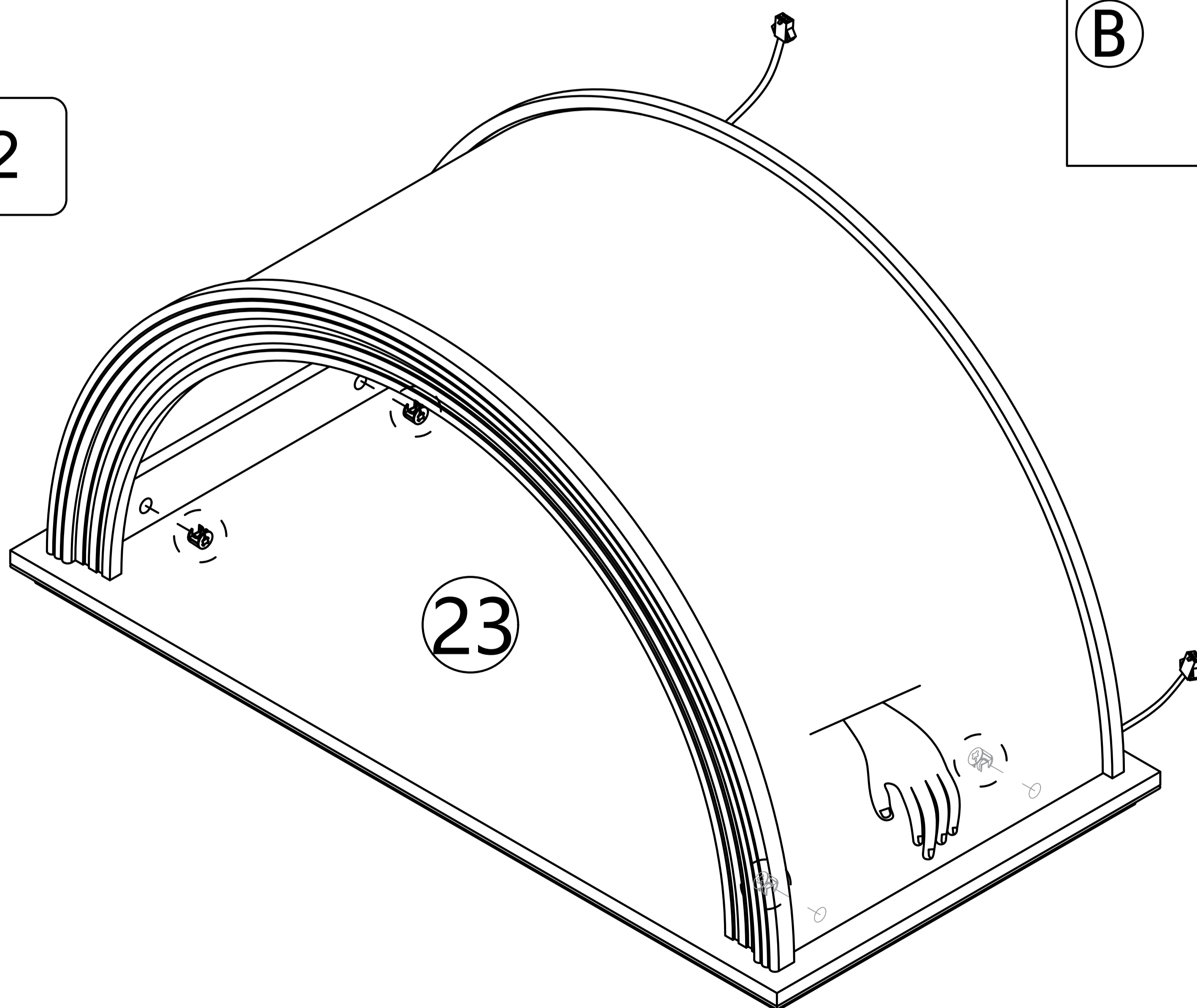
When installing the 25 plate, pay attention to the front and back, and there is a groove under the 23 plate.

# Step 42

(B)

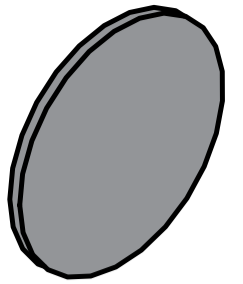


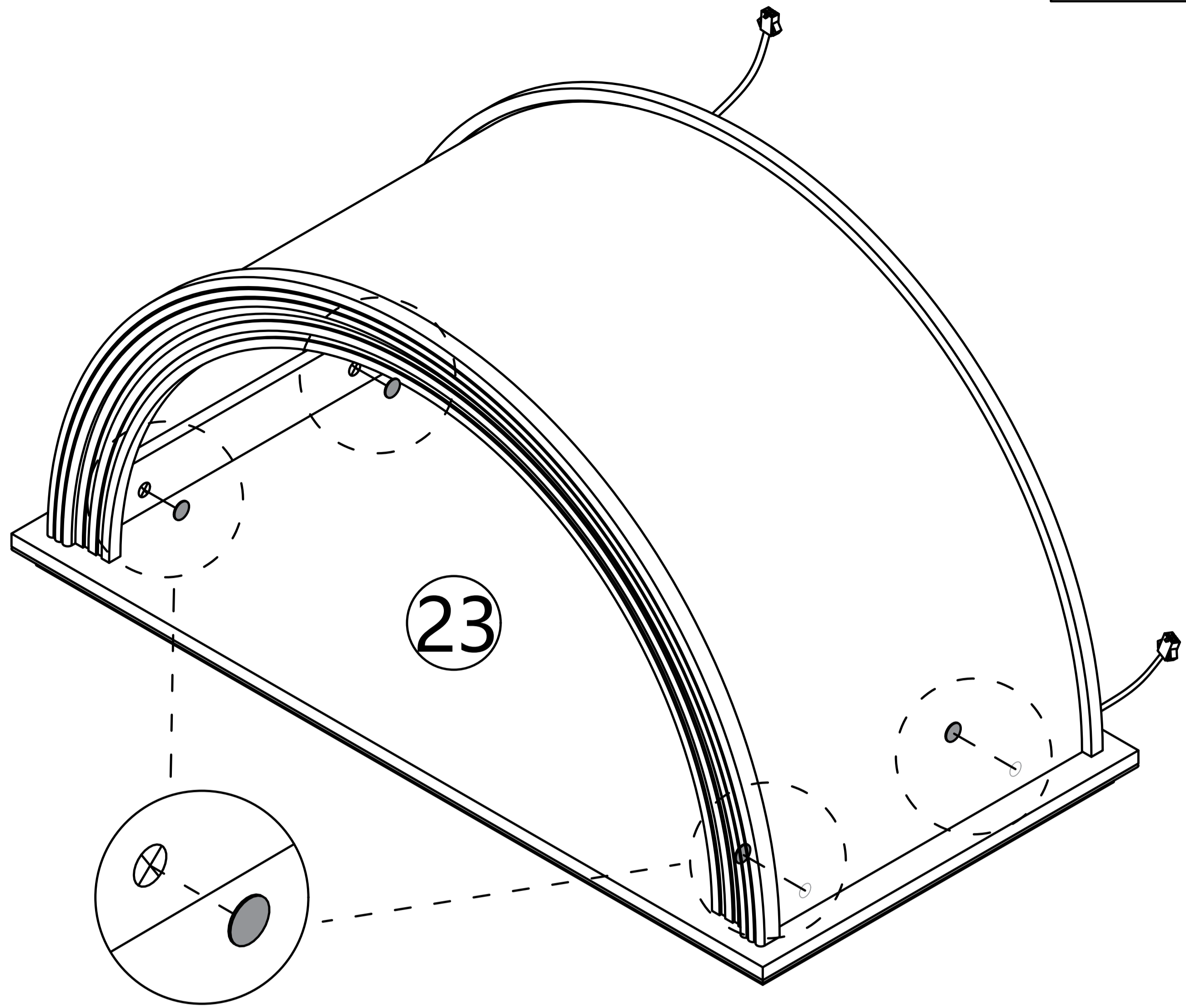
x4



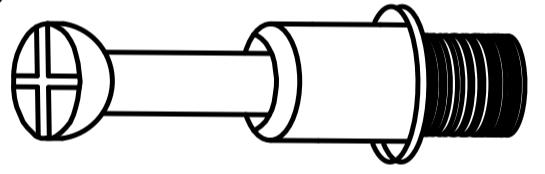
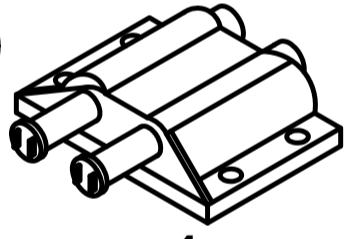
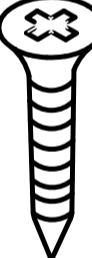
Note: After installing the 23 board, you need to pat the backboards on both sides into the grooves of the 28 board by hand. Then install the tightening nuts.

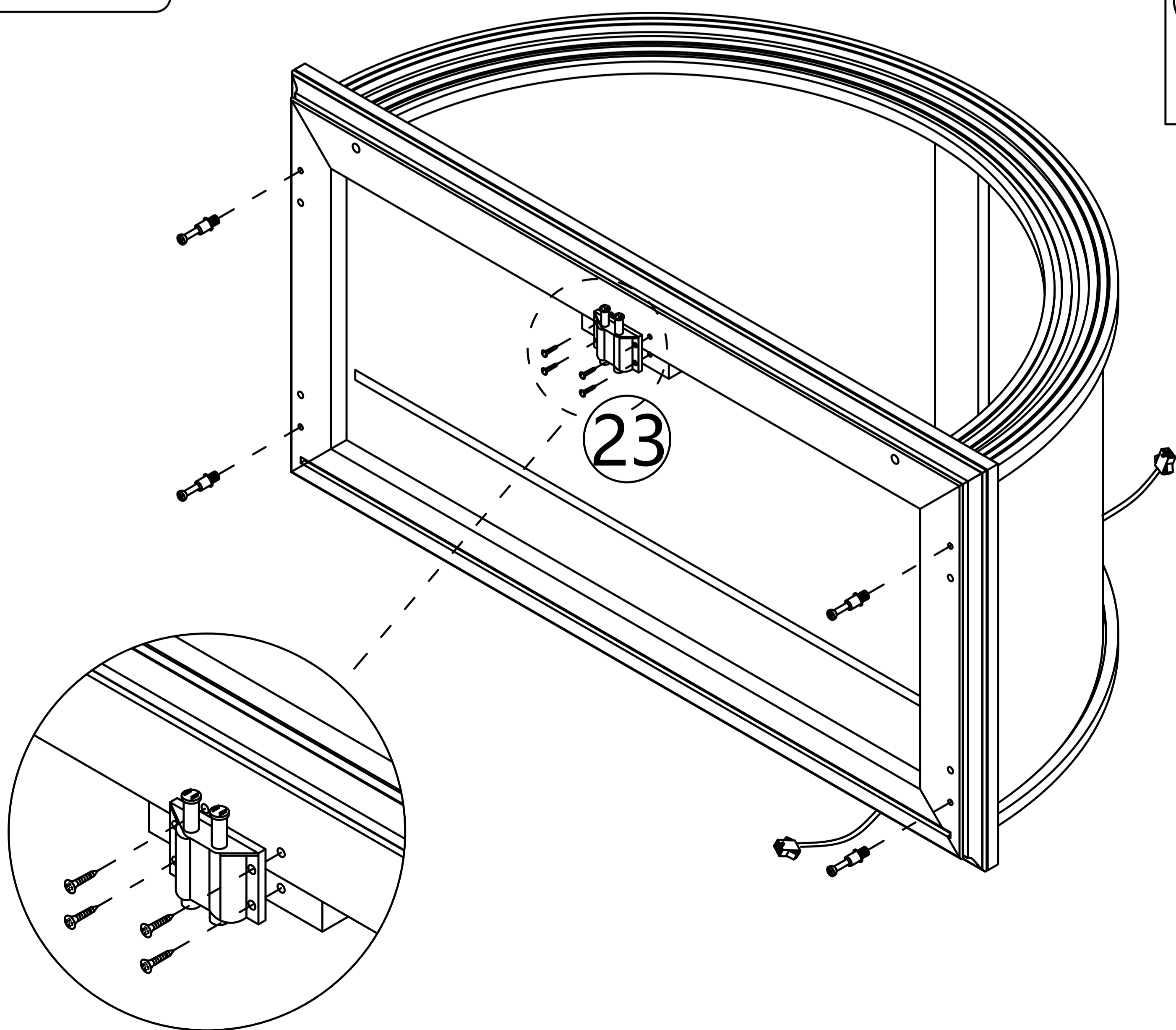
# Step 43

- G  x4



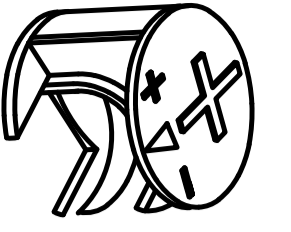
# Step 44

- A  x4
- L  x1  x4

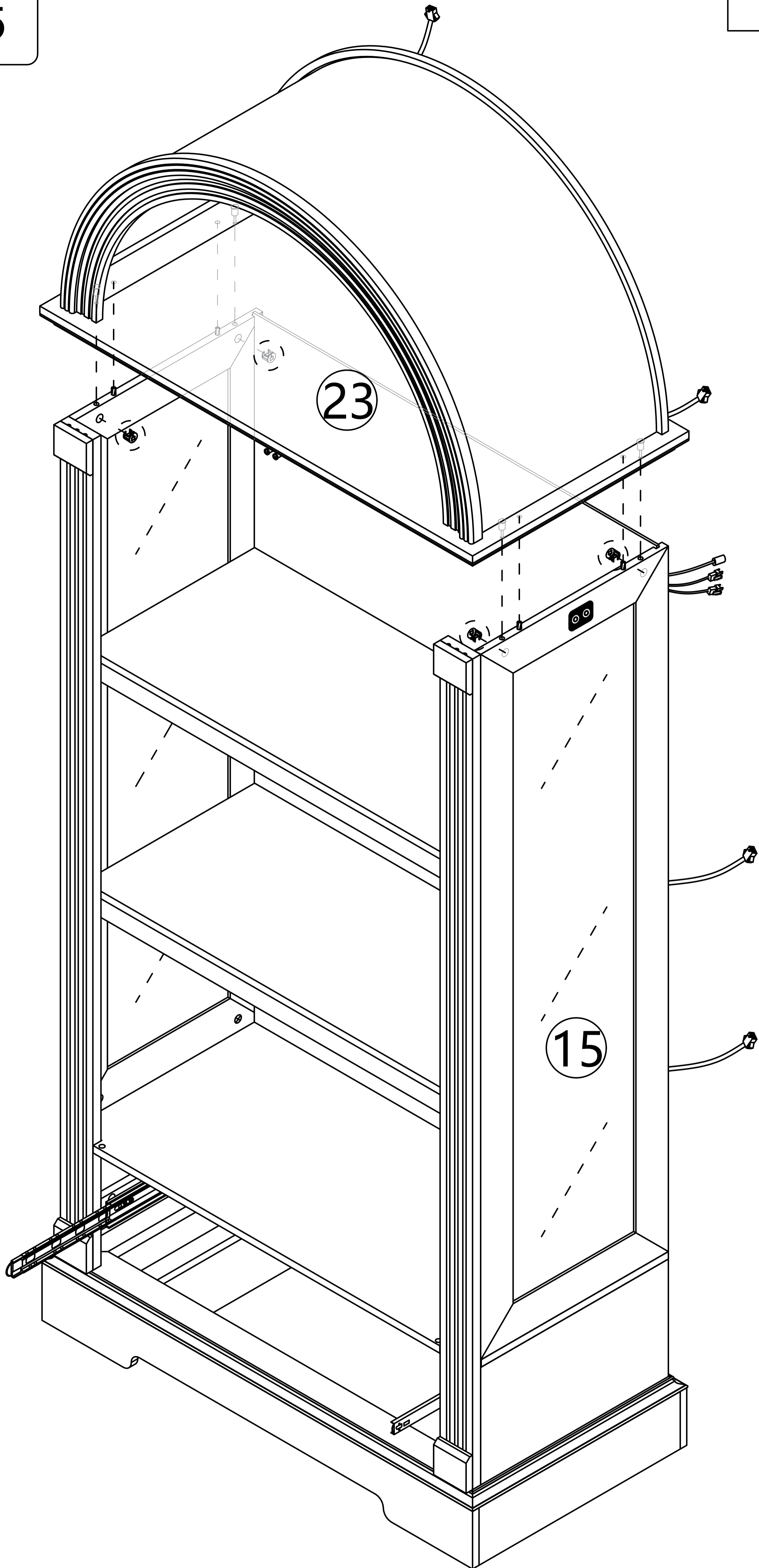


Step 45

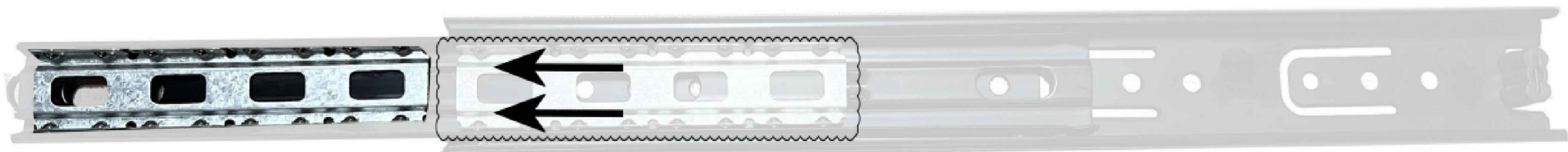
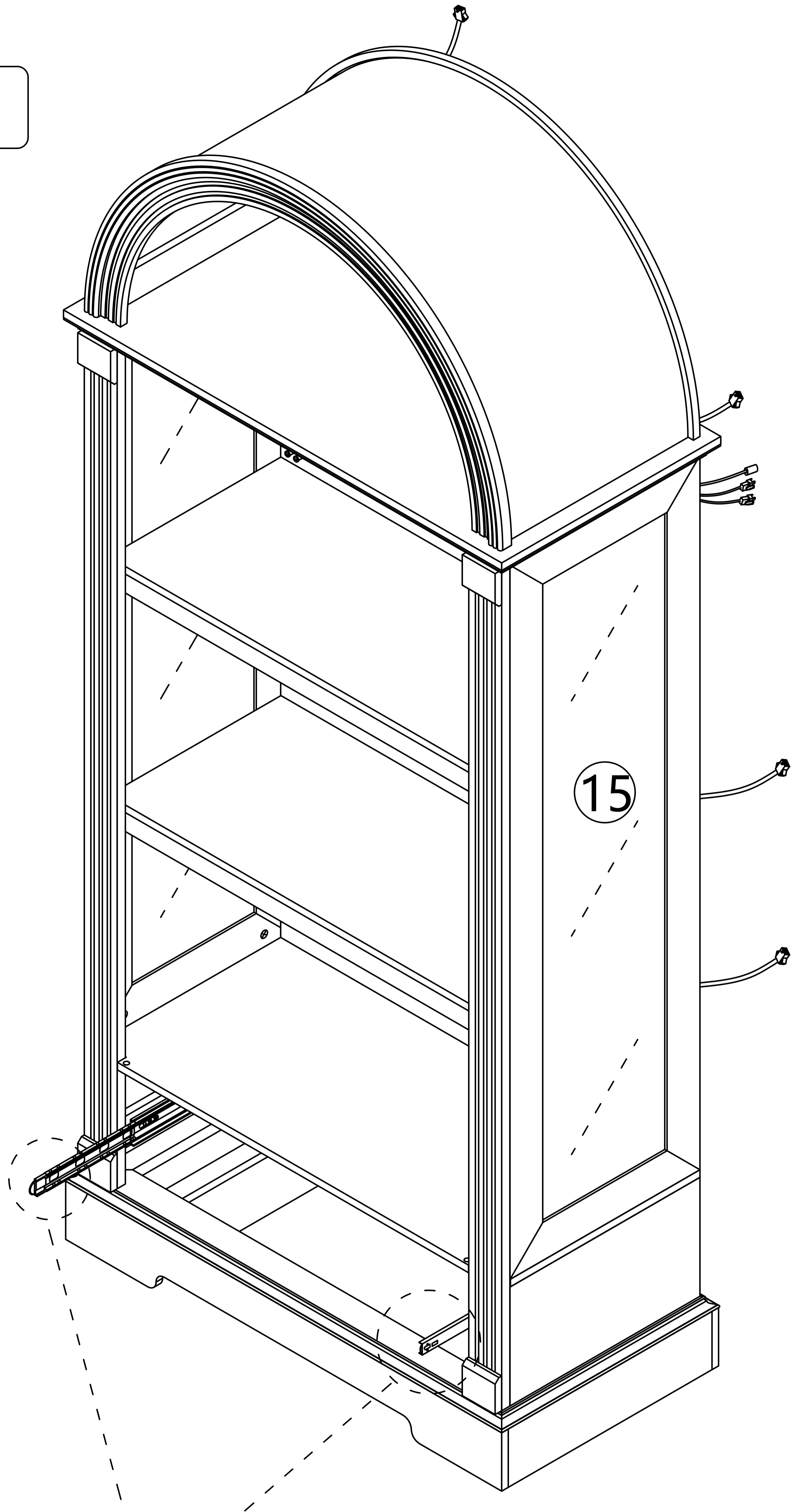
B



x4

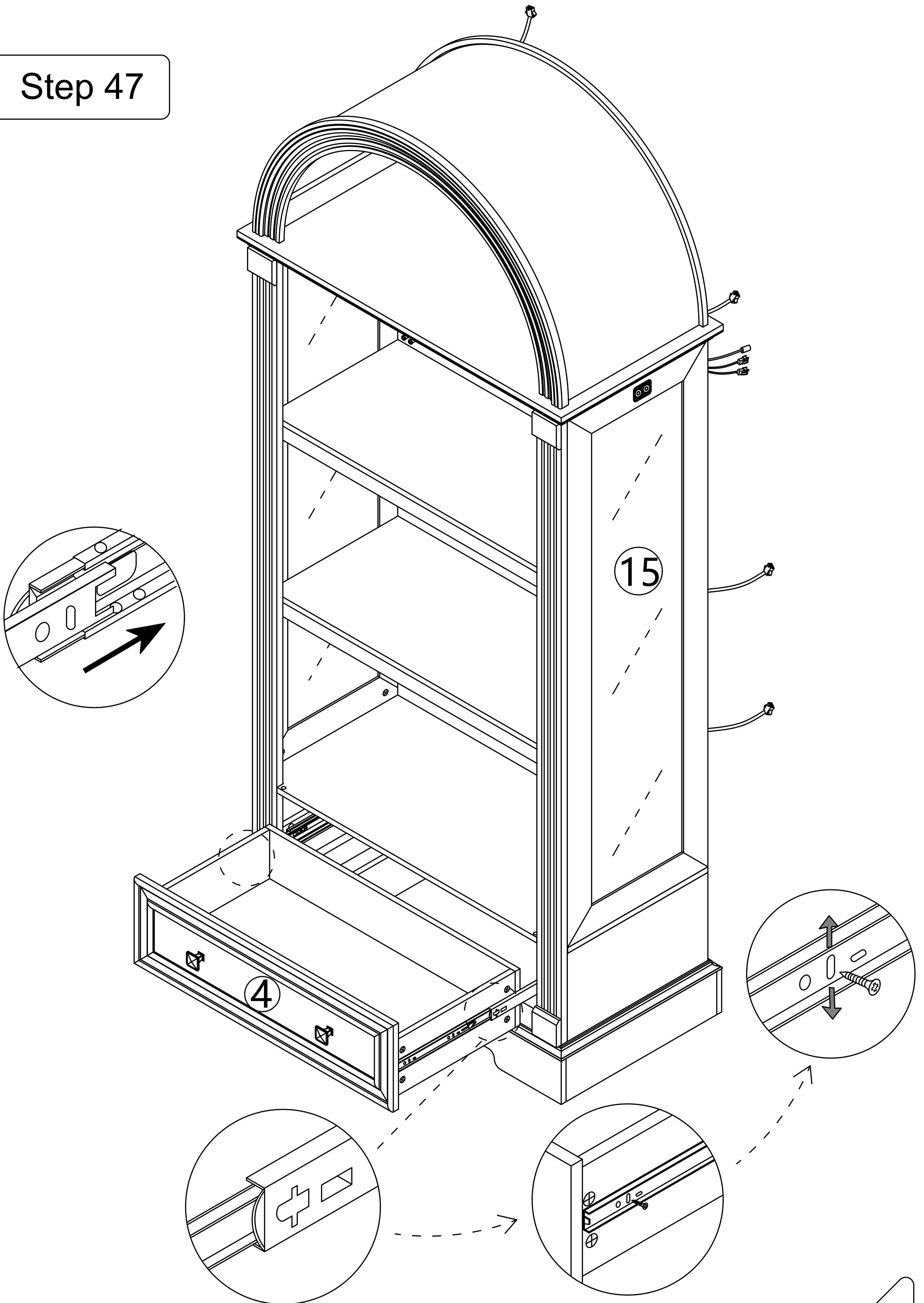


Step 46



As shown, When installing the drawer, pull the guide rail out first, Slide beads are also pulled out.

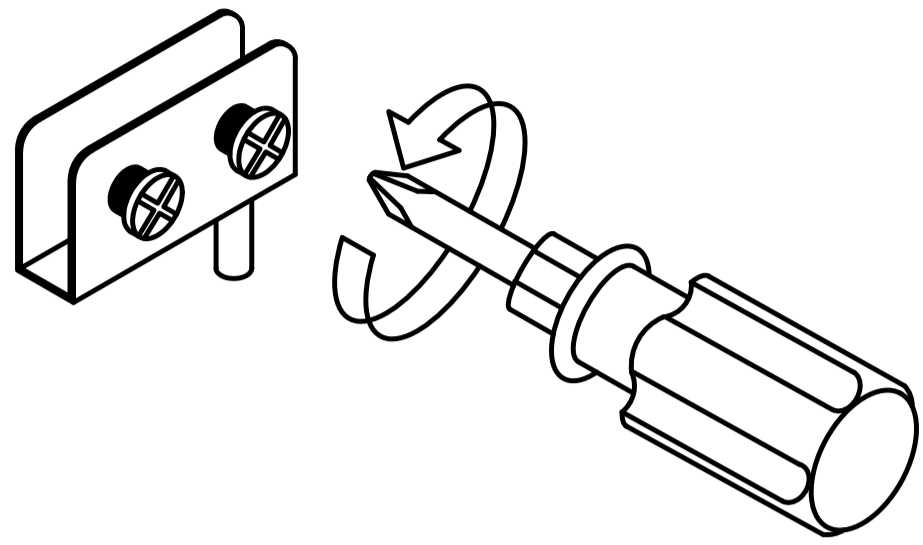
Step 47



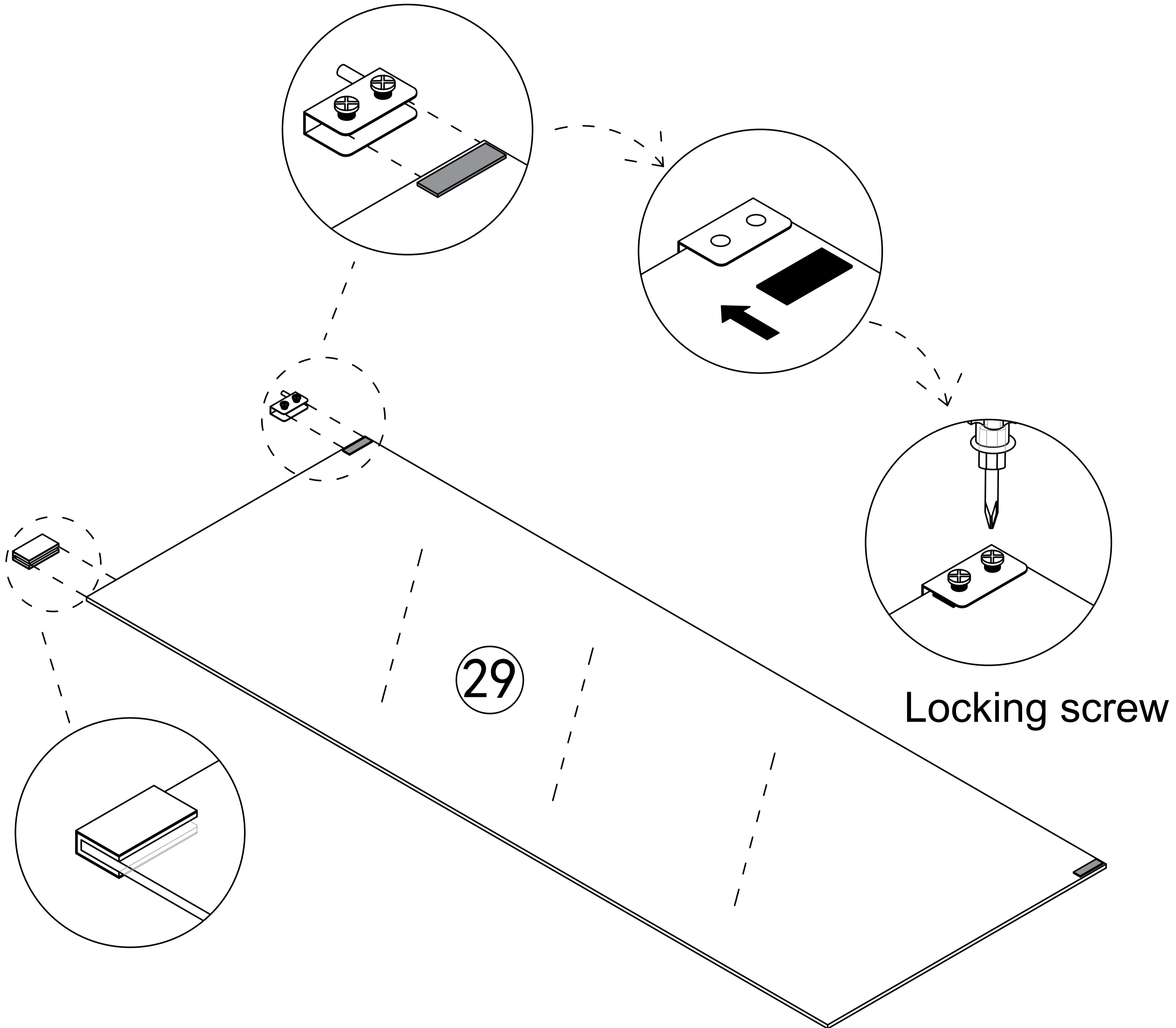
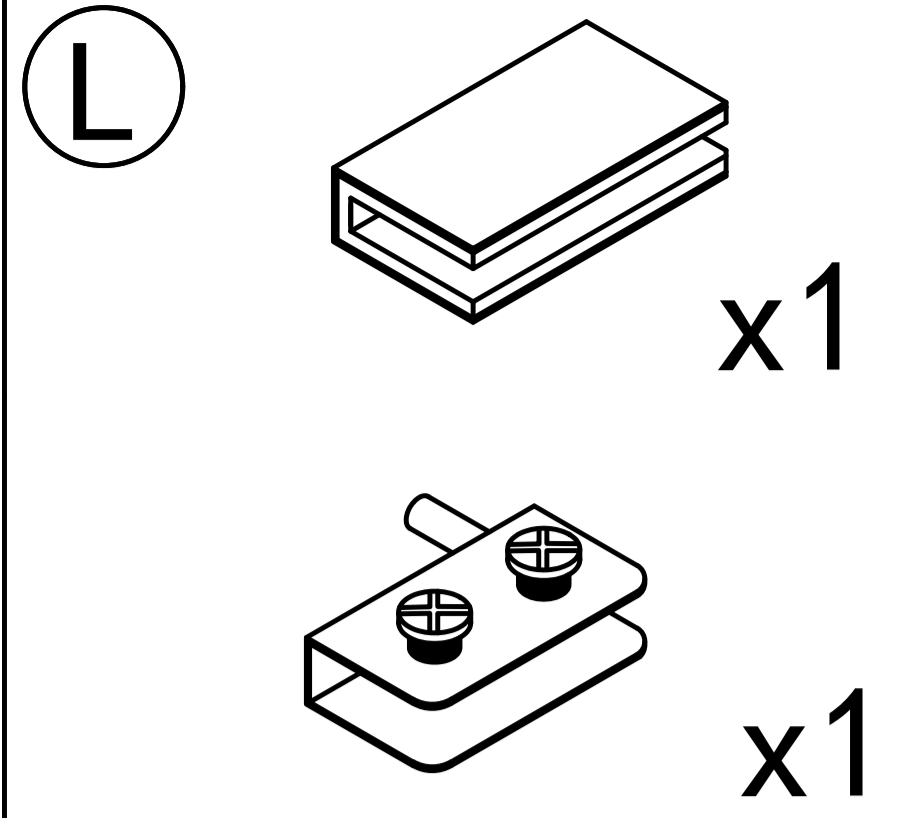
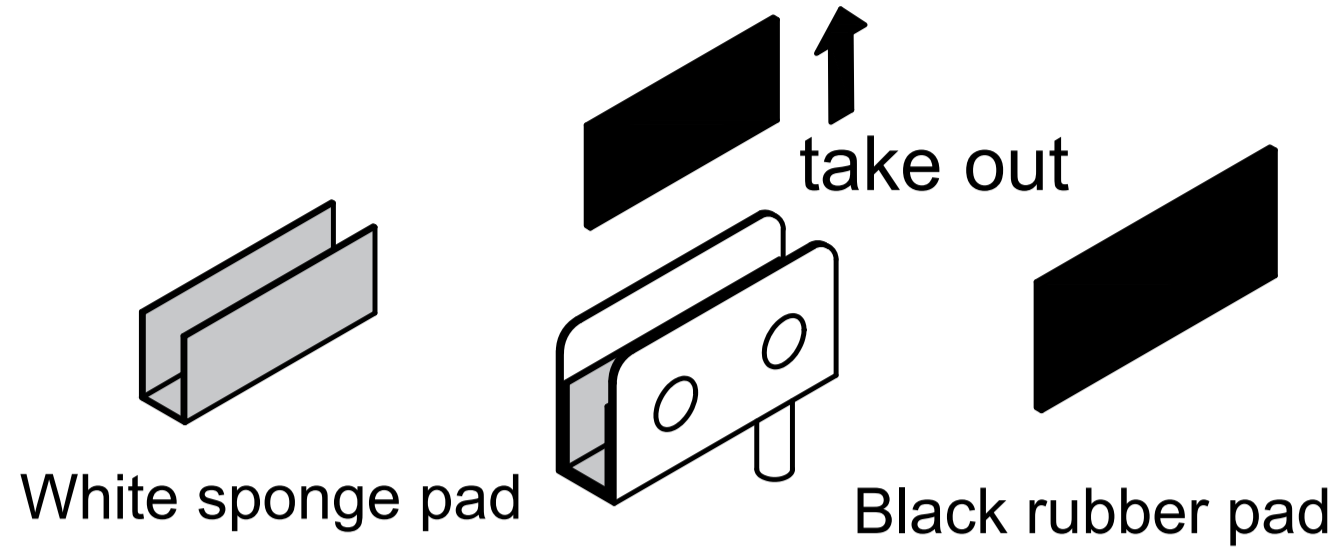
If a large gap is found after installing the drawer the slide rail can be moved up and down to adjust the gap

# Step 48

First, completely unscrew the screws on the parts



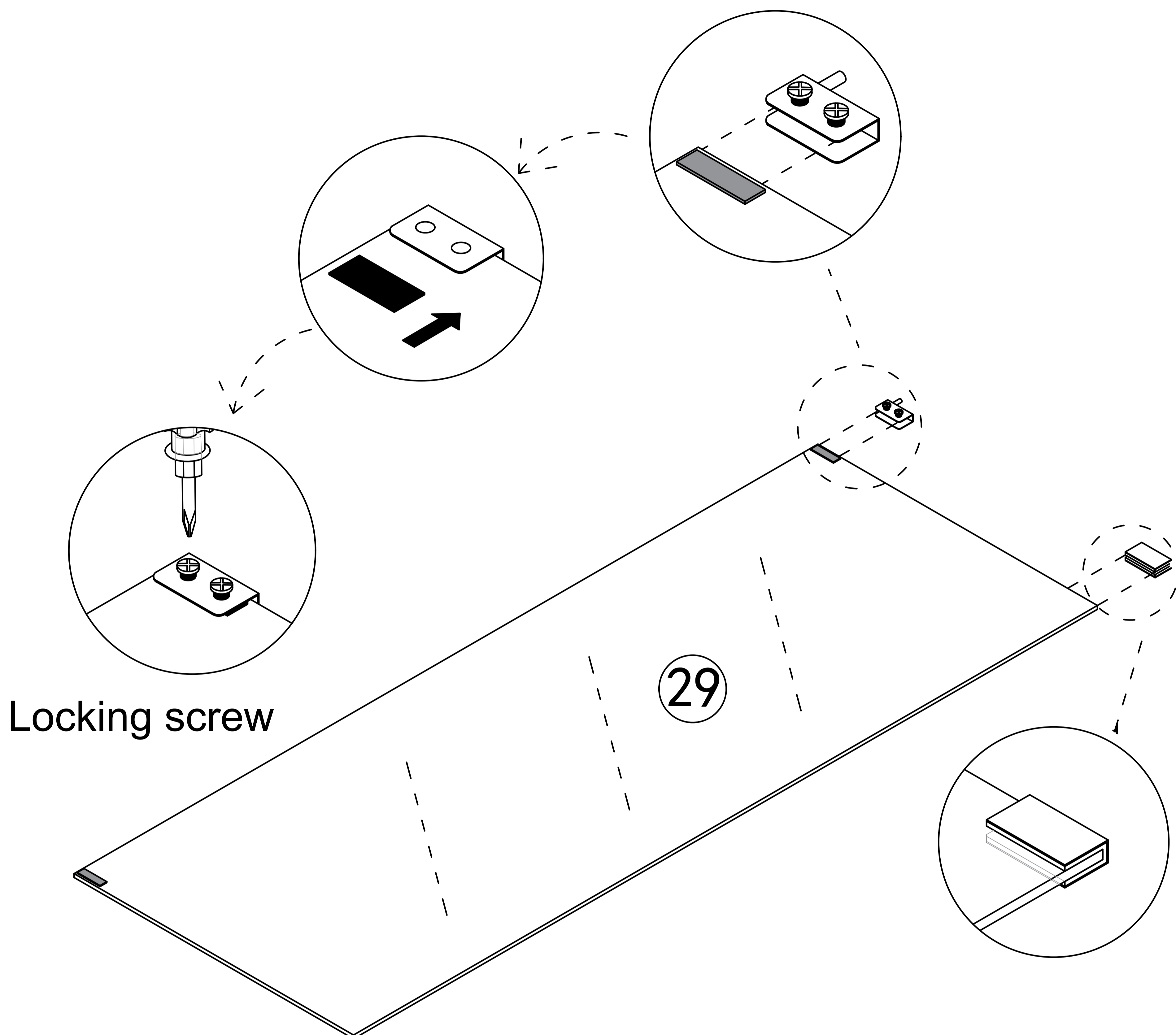
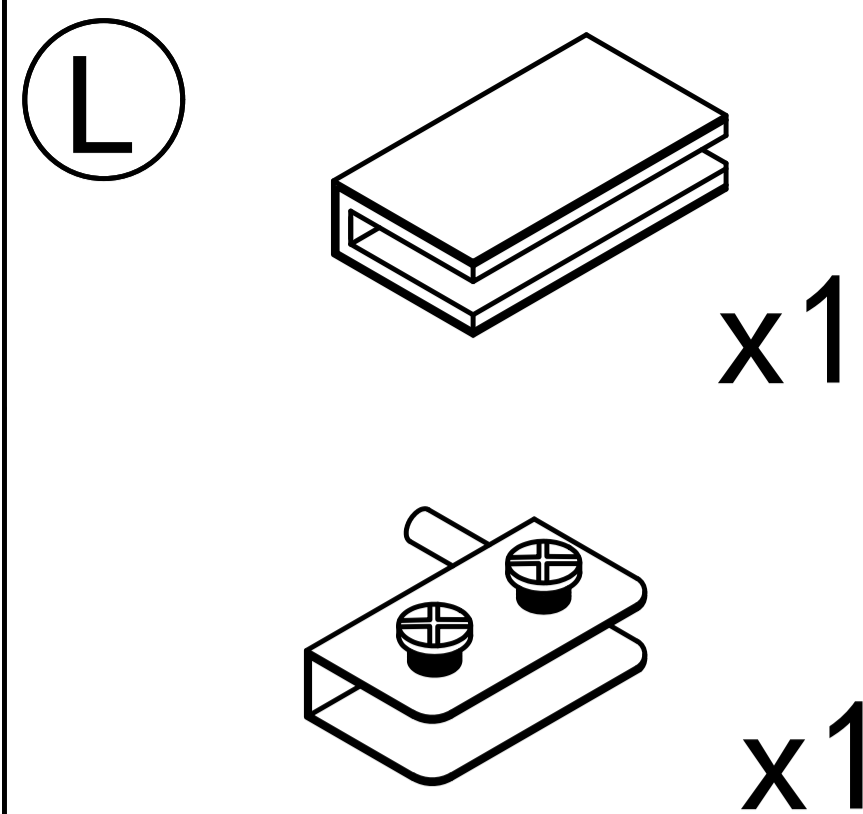
Then take out the black rubber pad from the inside of the part, and the white sponge remains unchanged inside the part.



Pay attention to the direction of the door hinge, rotate the screws to compress the black gasket, and do not place it in the opposite direction

Place the black gasket on the side where the screws are installed

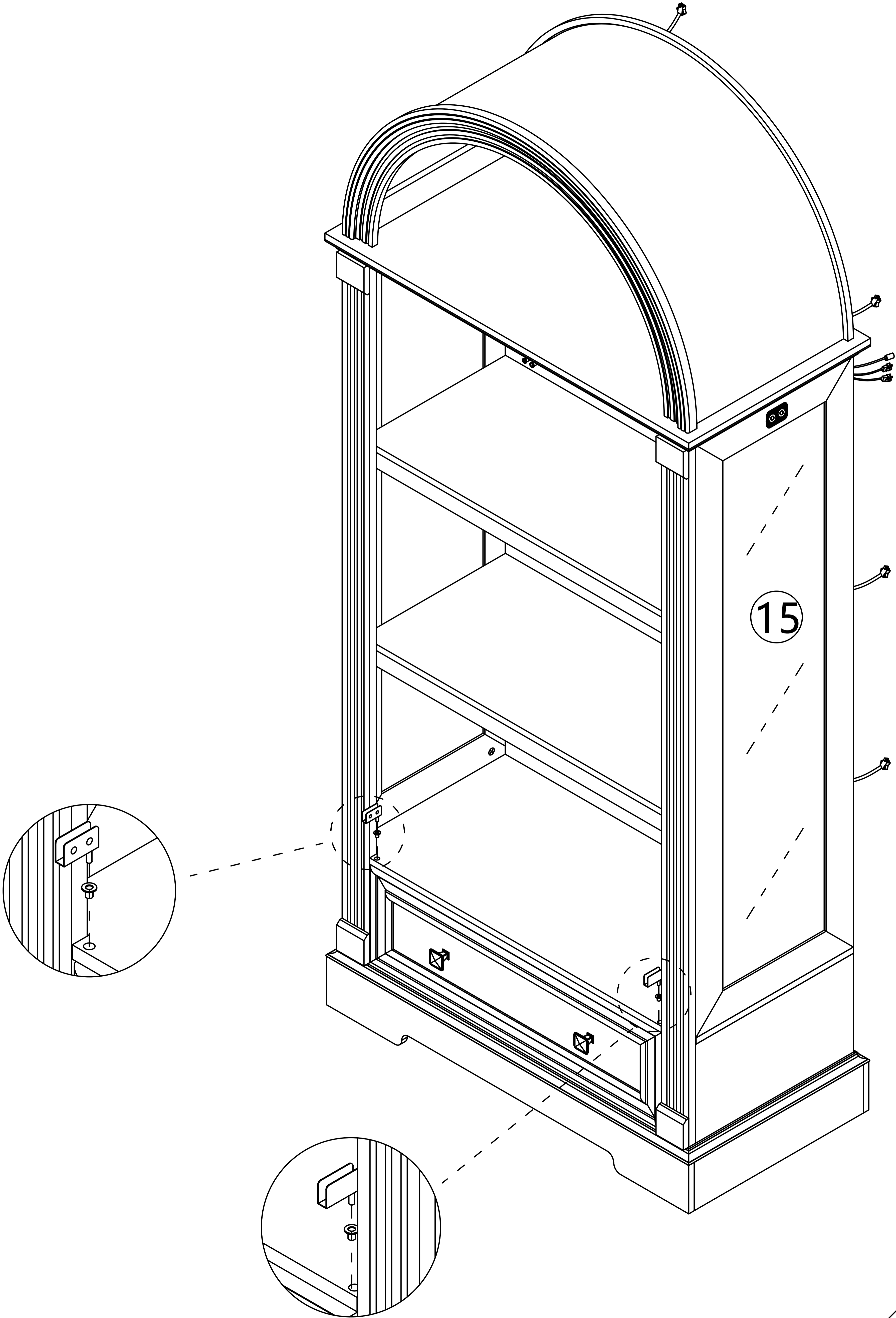
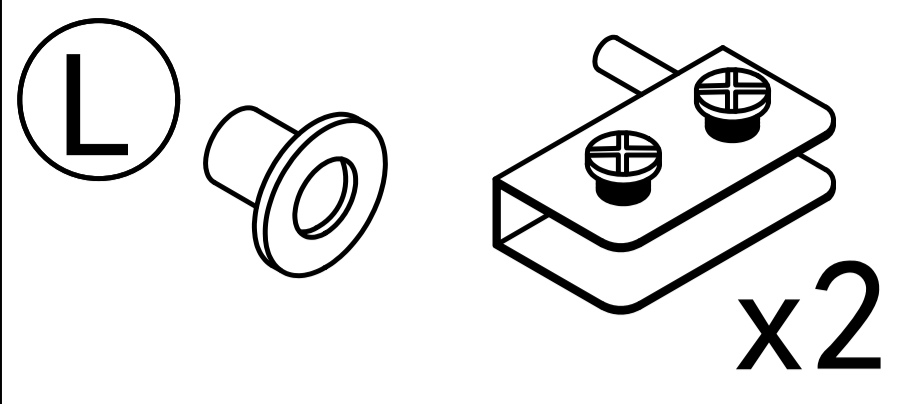
# Step 49



Pay attention to the direction of the door hinge, rotate the screws to compress the black gasket, and do not place it in the opposite direction

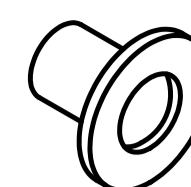
Place the black gasket on the side where the screws are installed

Step 50



# Step 51

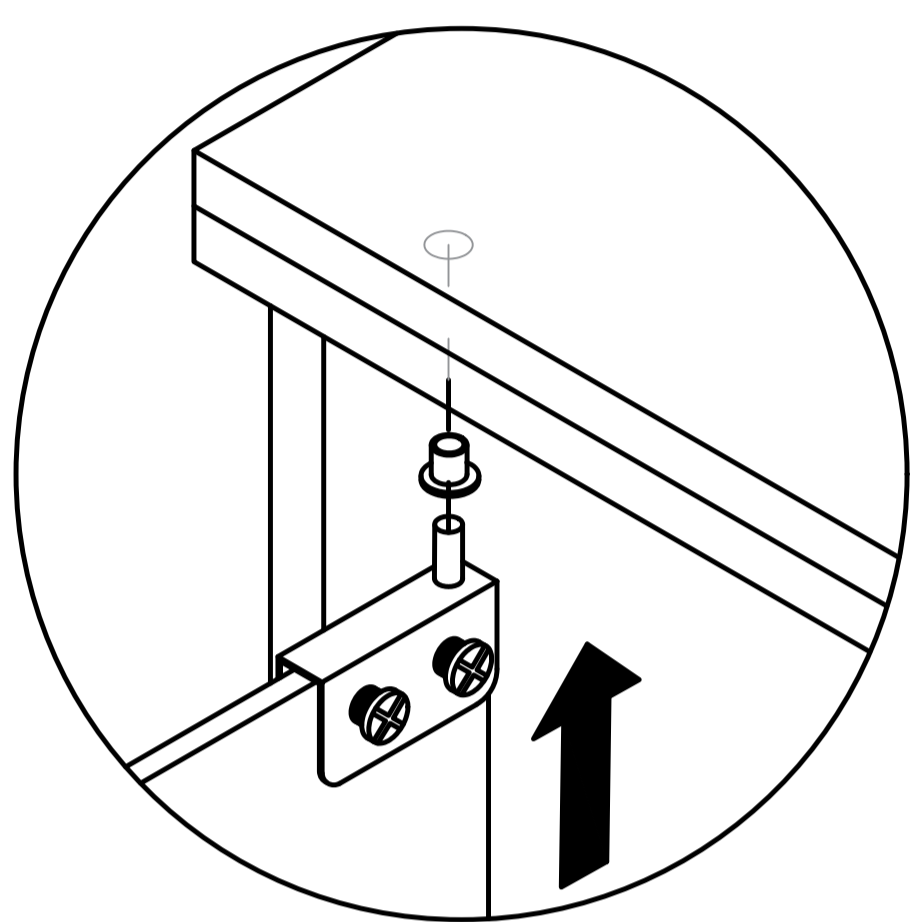
L



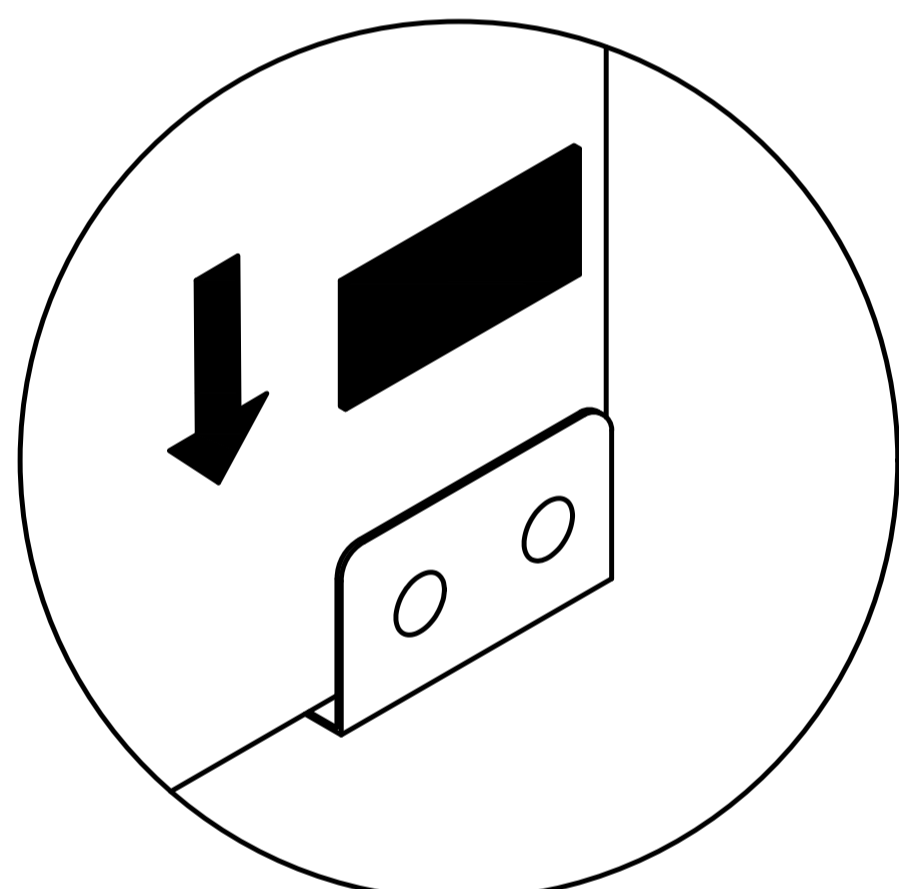
x2

When installing a glass door, it is recommended to have two people install it to avoid the glass door colliding or hitting oneself.

Pay attention to the direction of the door hinge during installation

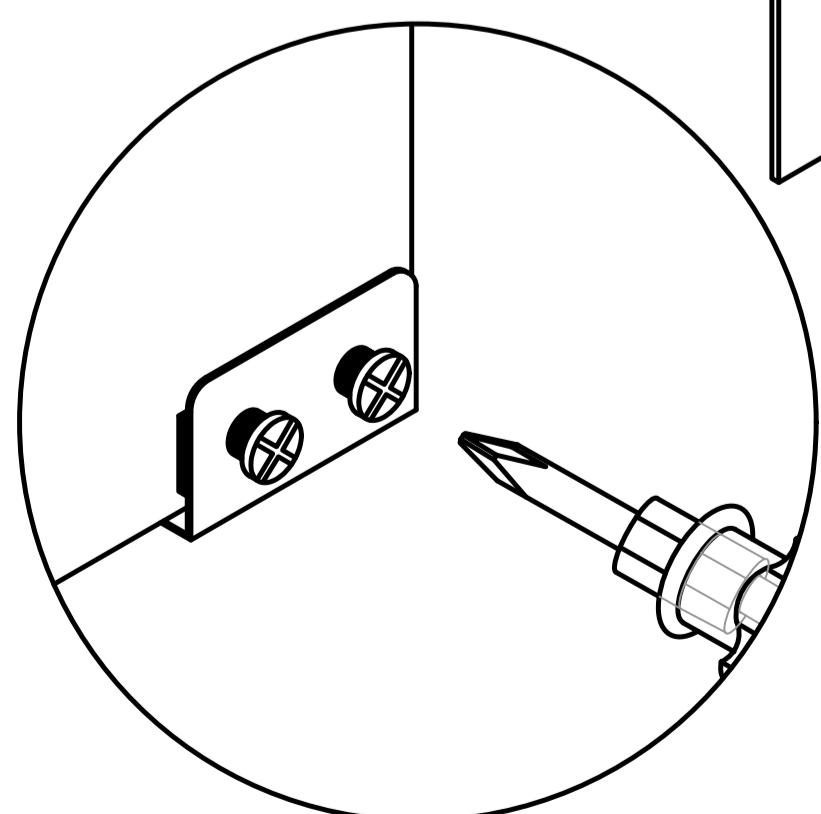


first



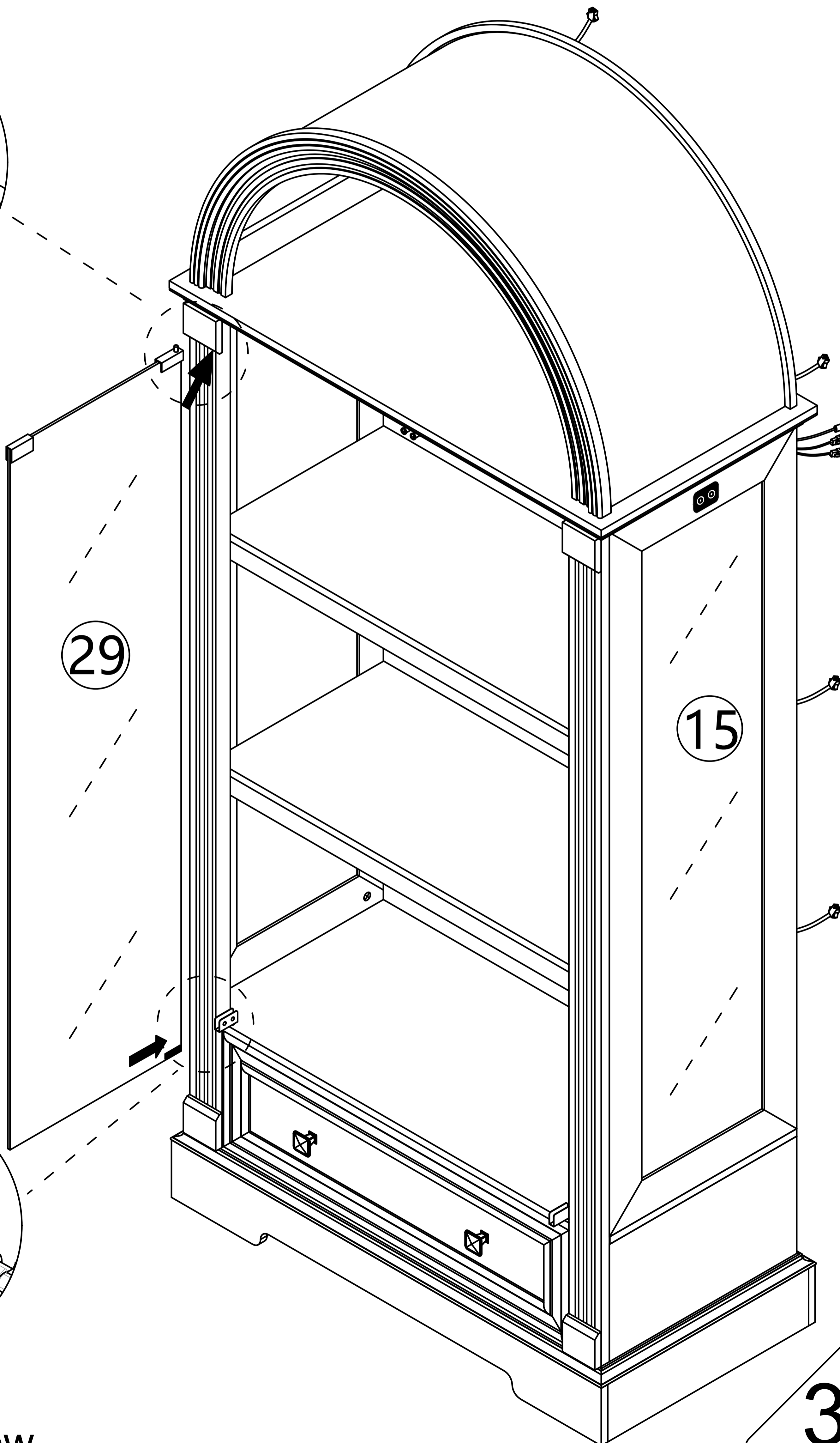
second

After installing the glass door, place the black gasket on the side where the screws are installed



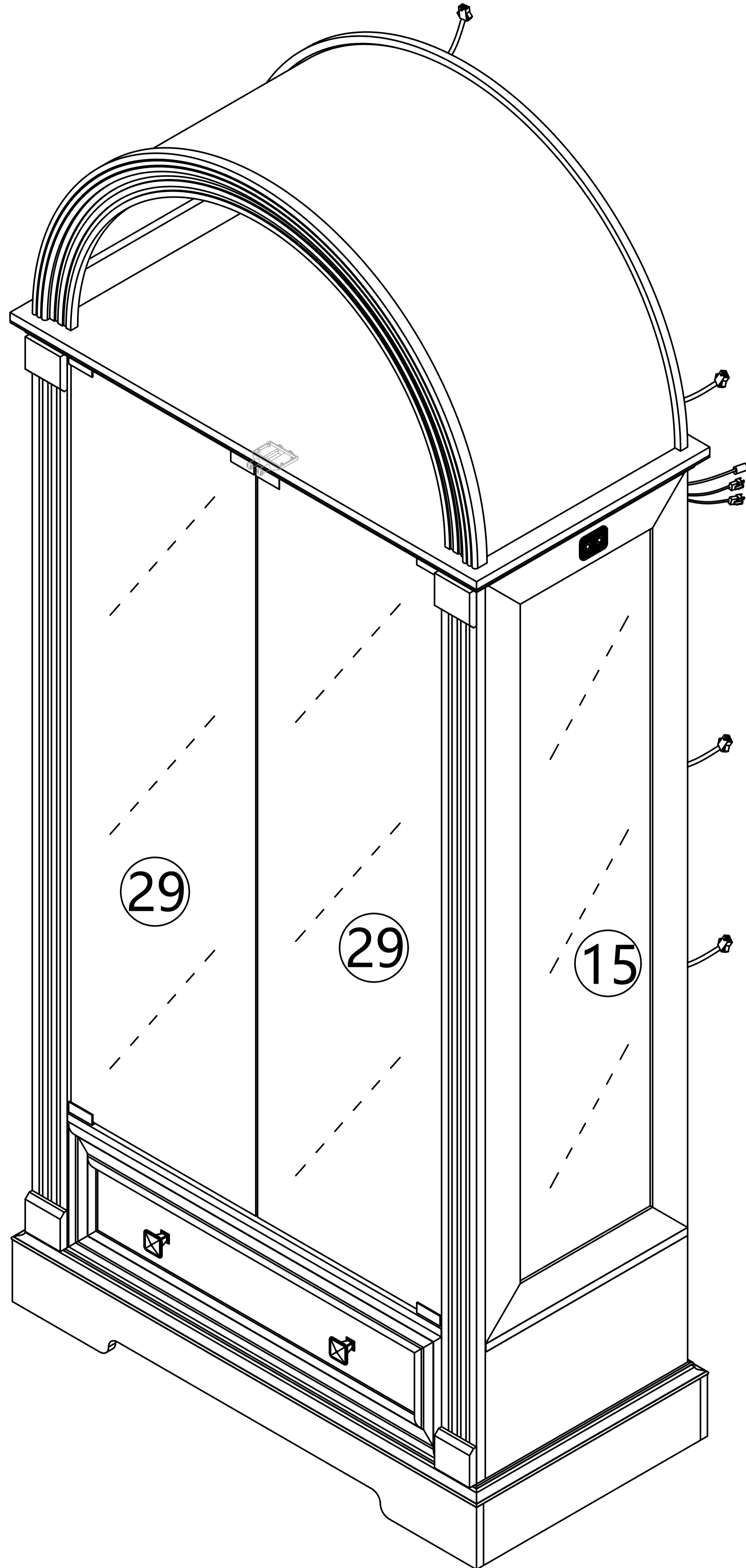
third

Locking screw



38

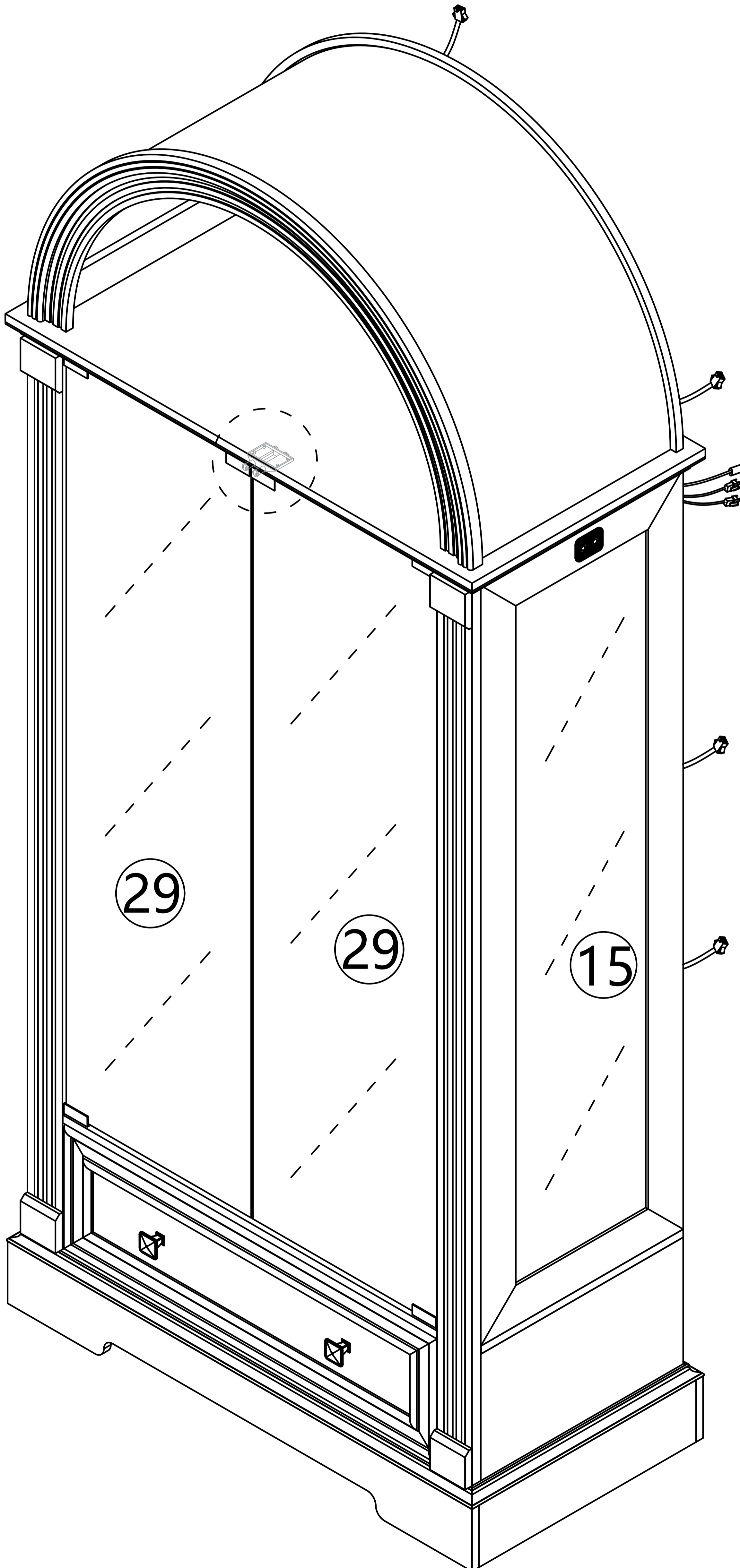
Step 52



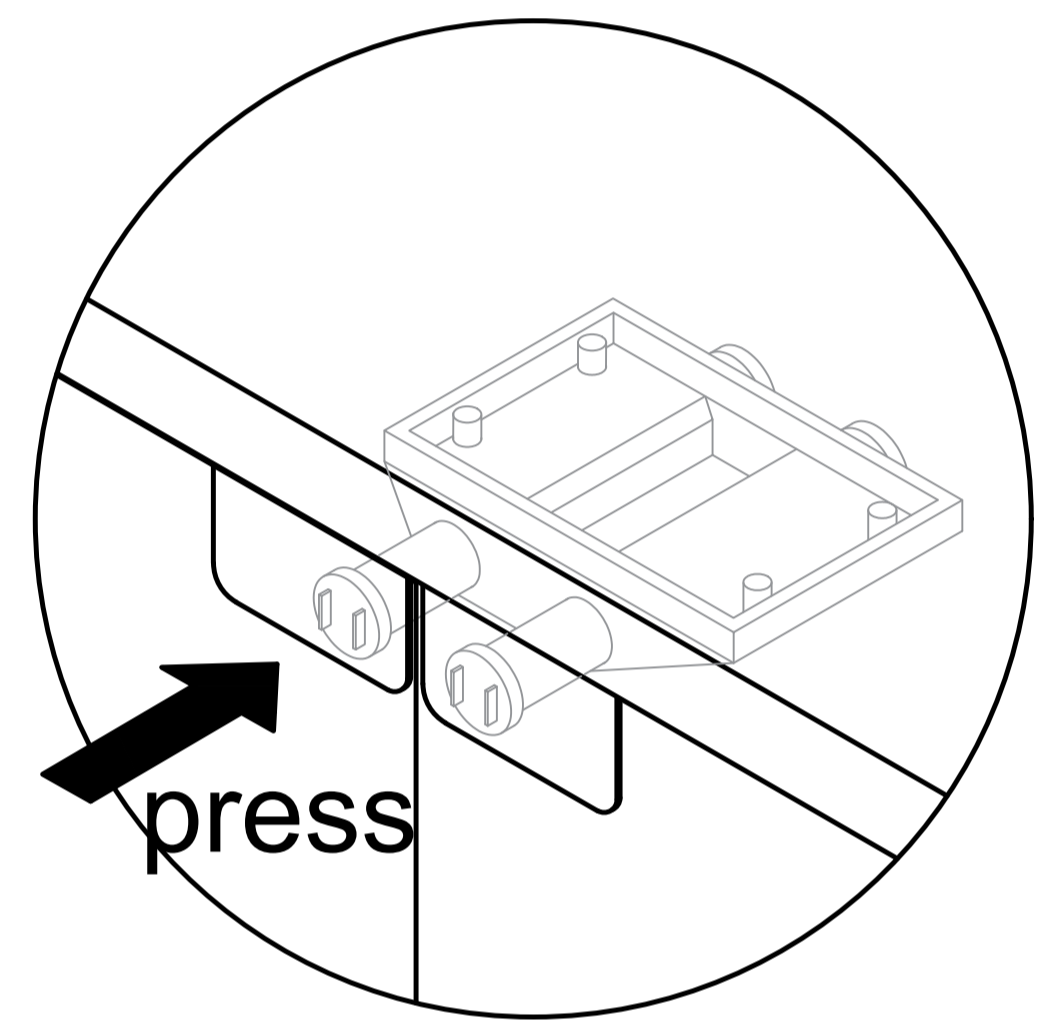
Repeat the door installation steps.

Step 53

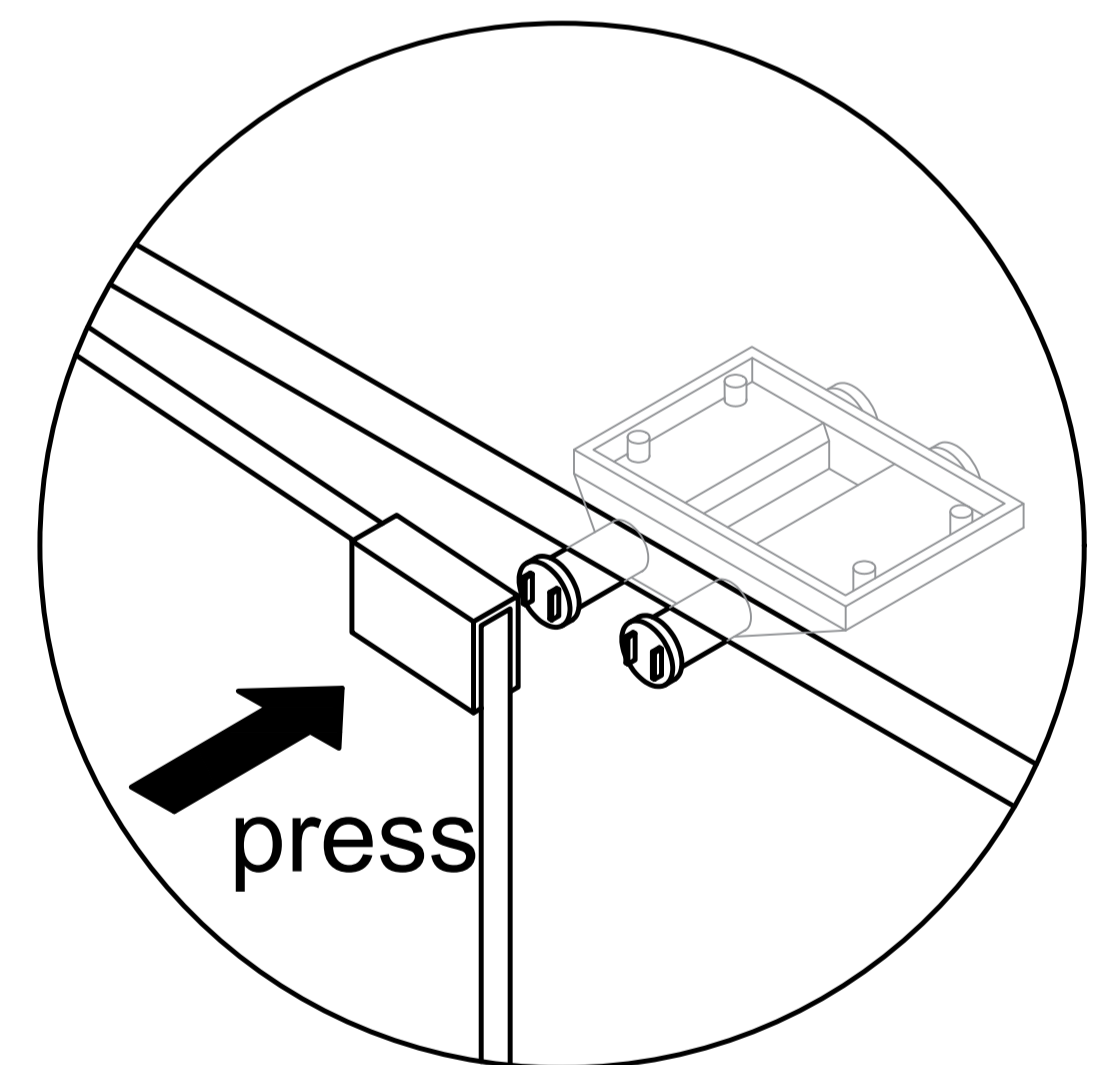
The rebound device automatically opens and closes by pressing



Open the glass door

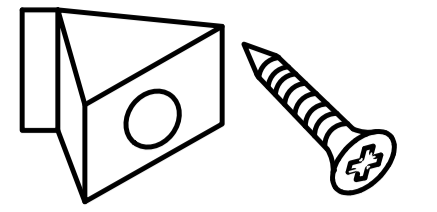


Close the glass door

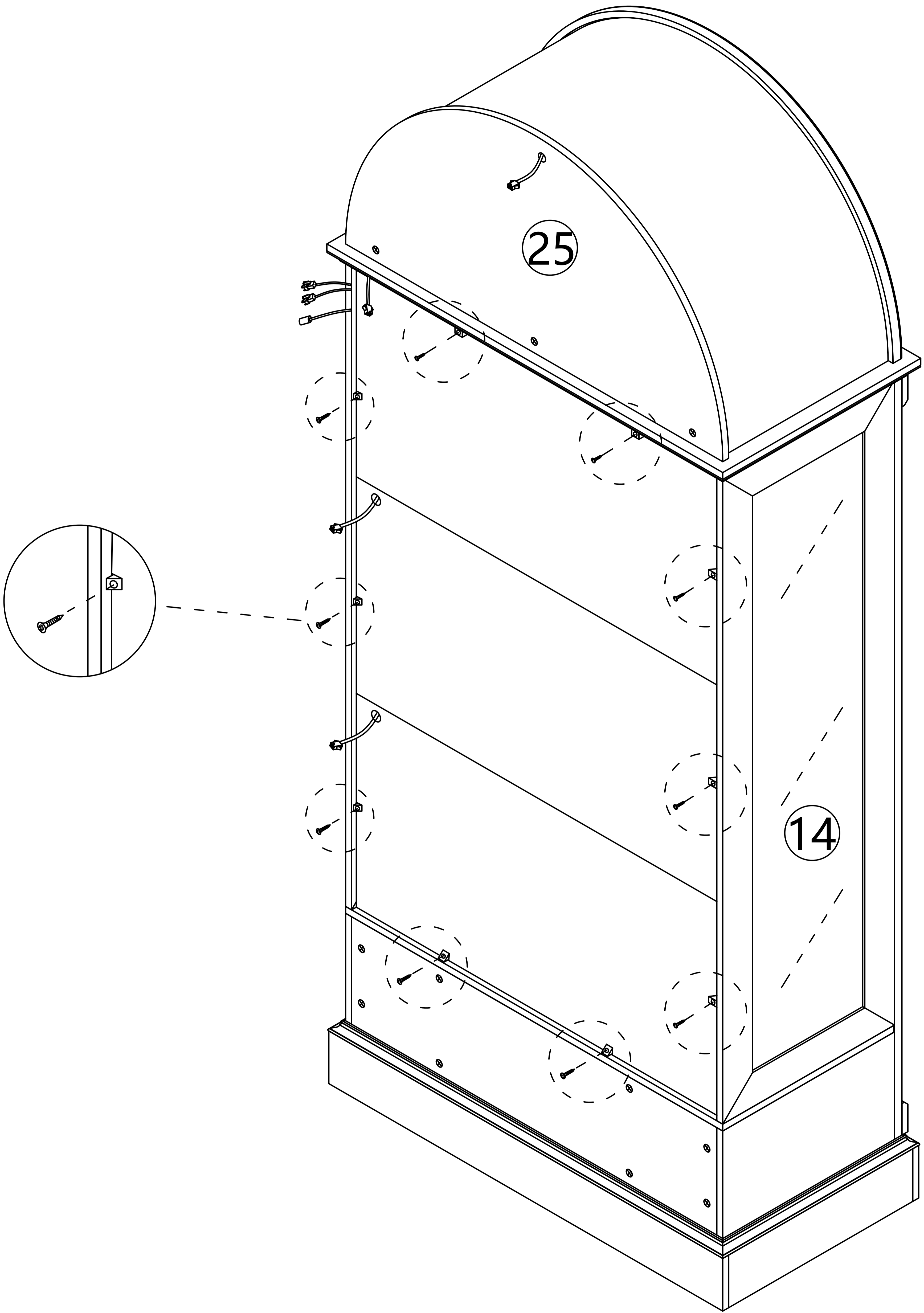


Step 54

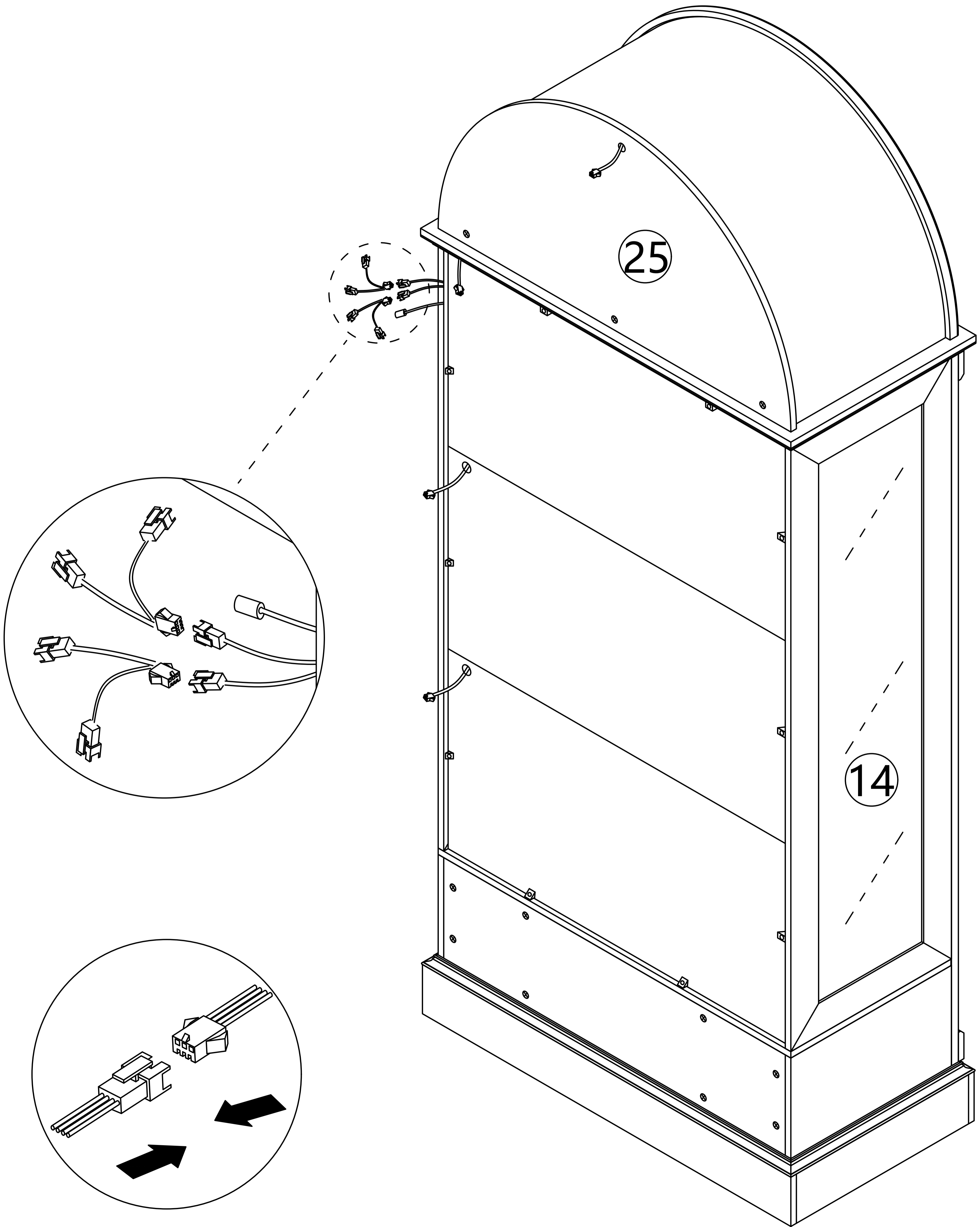
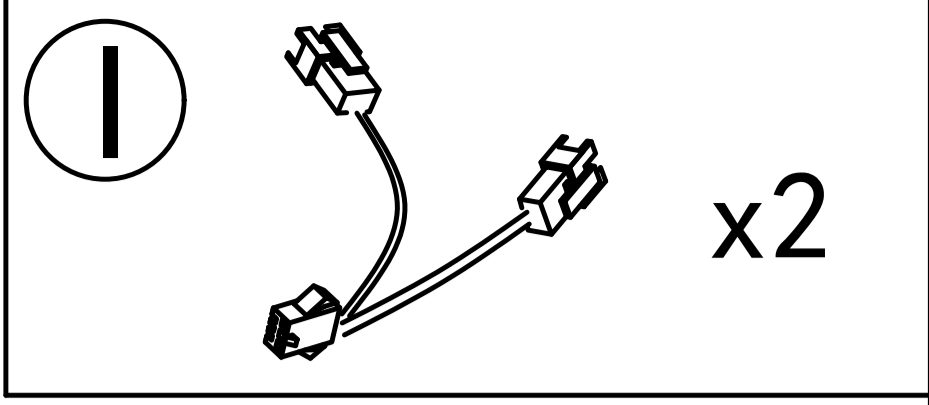
H



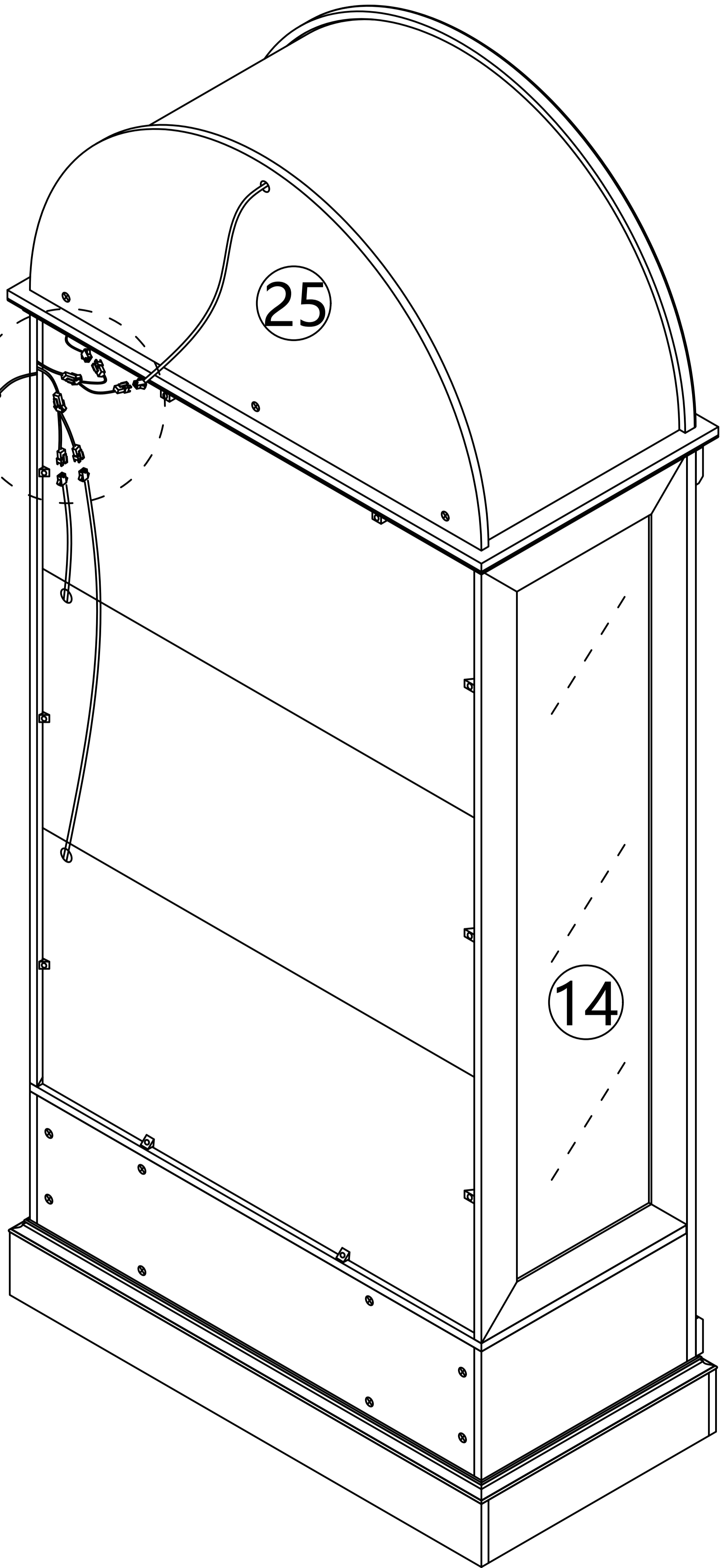
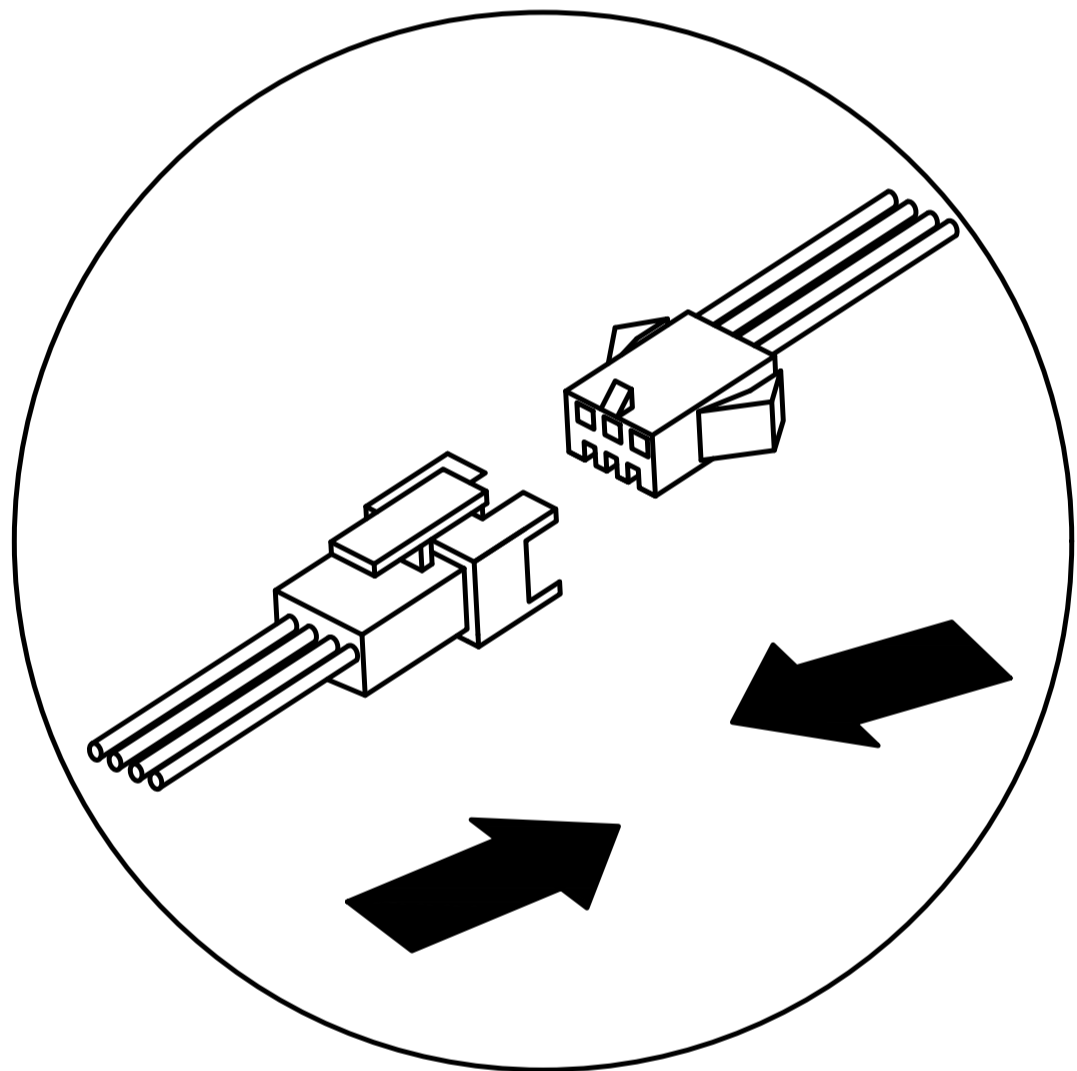
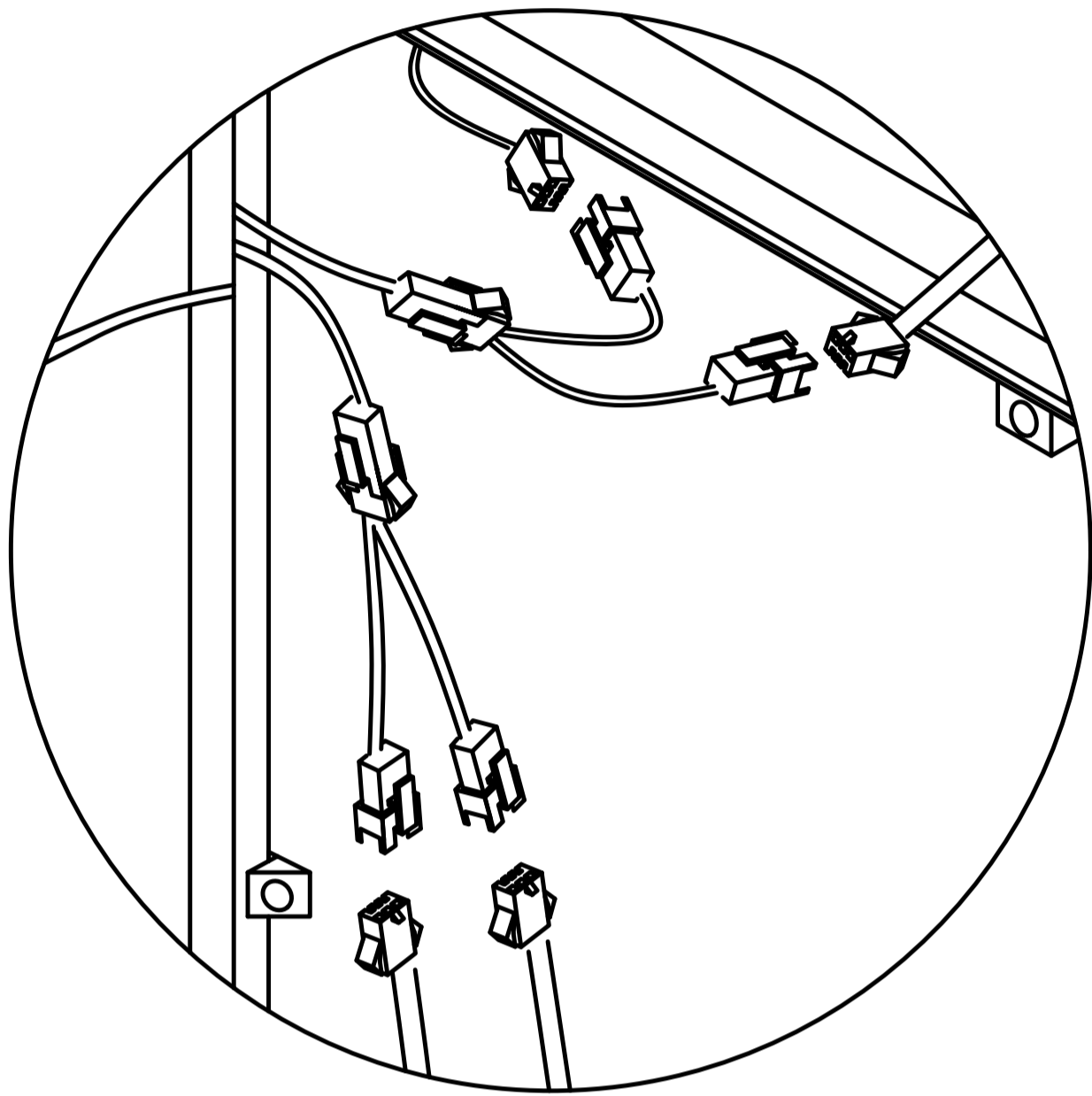
x10



Step 55

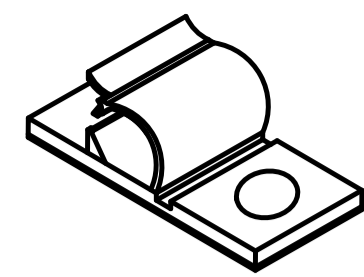


Step 56

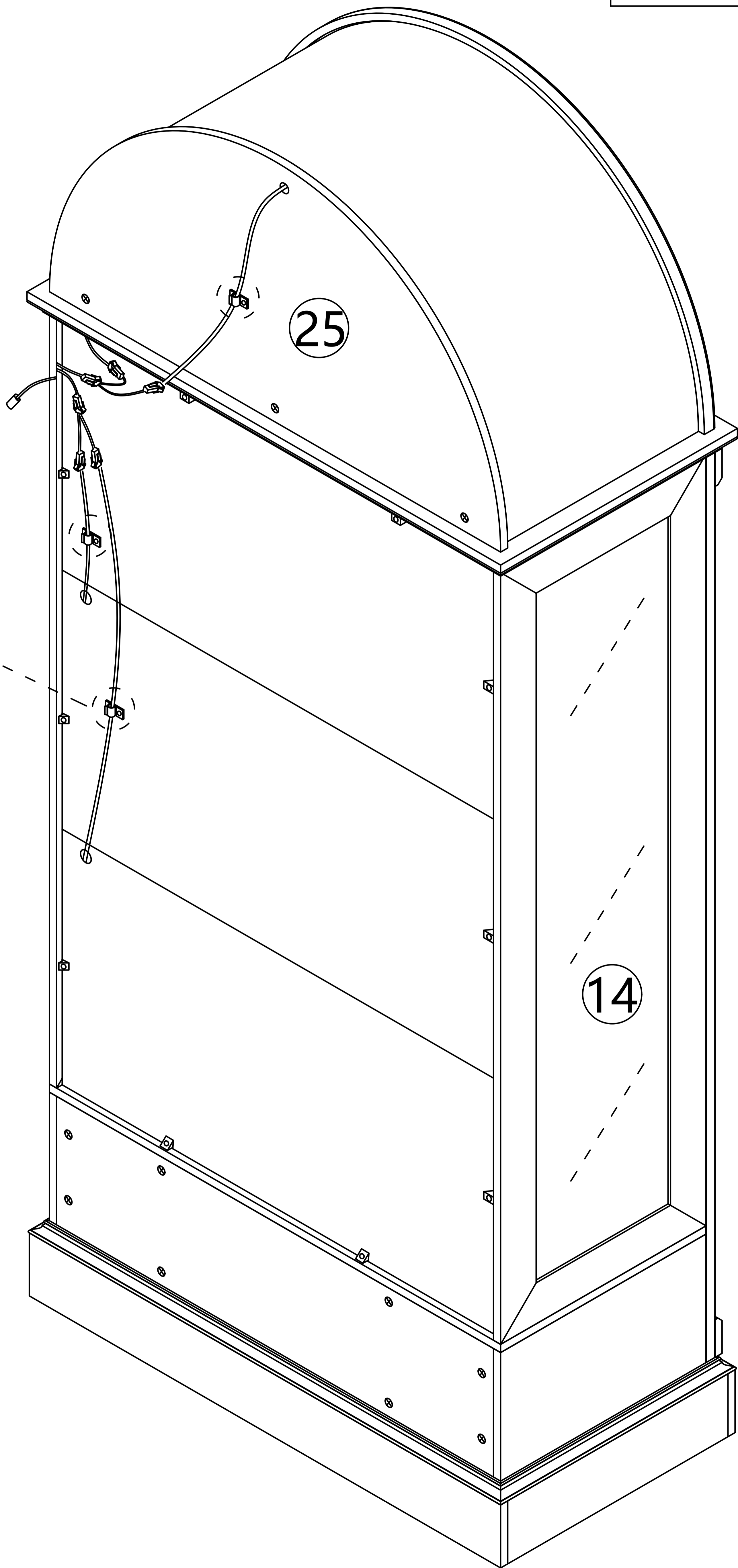
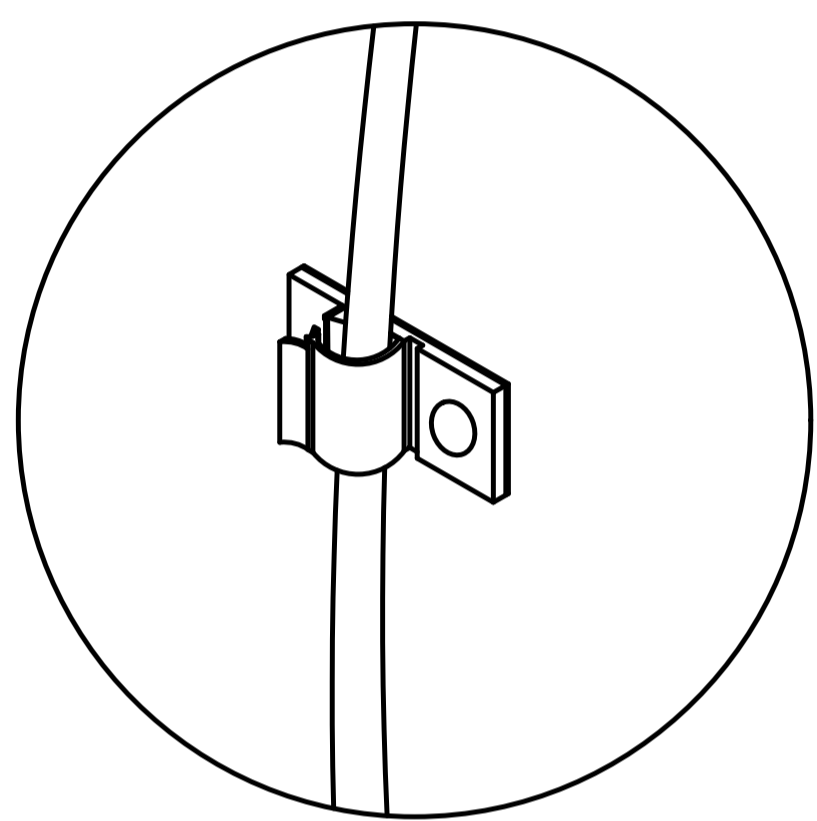


Step 57

J

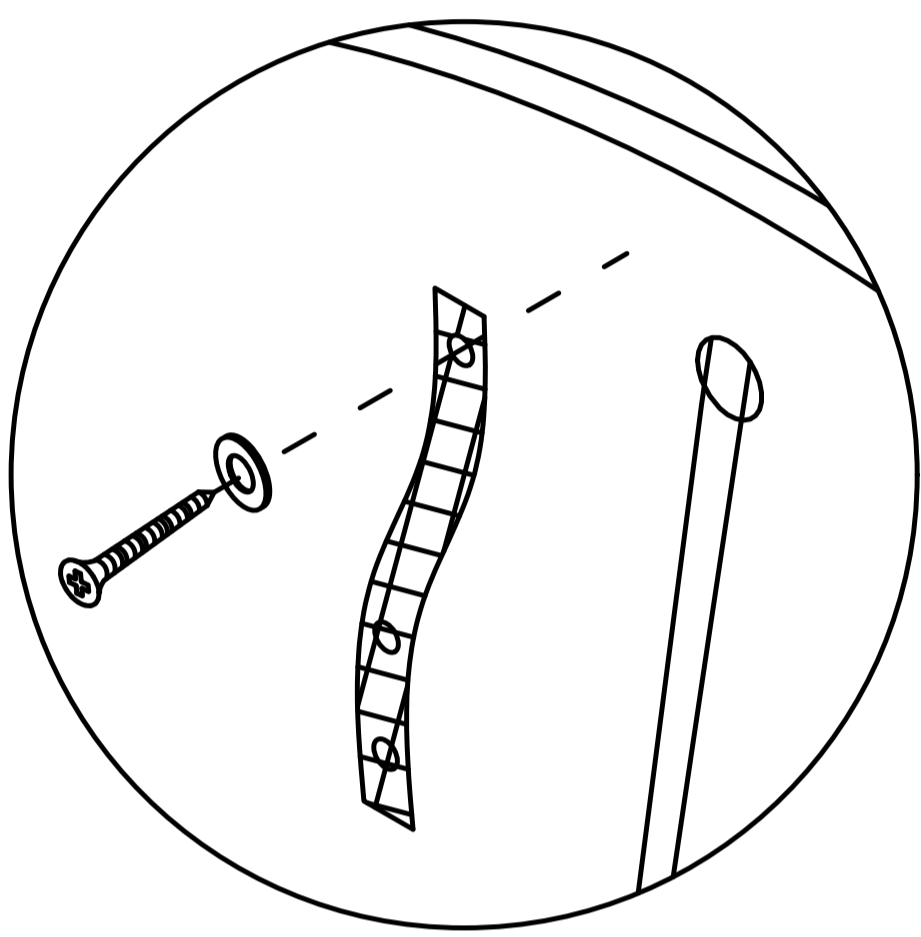
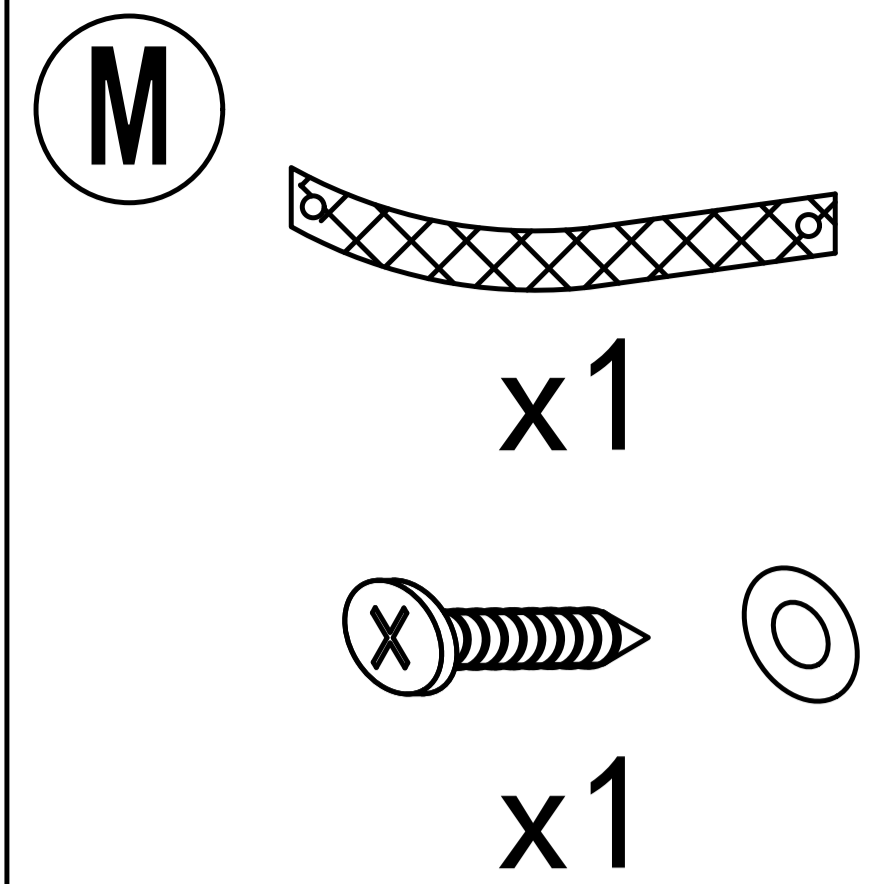


x3

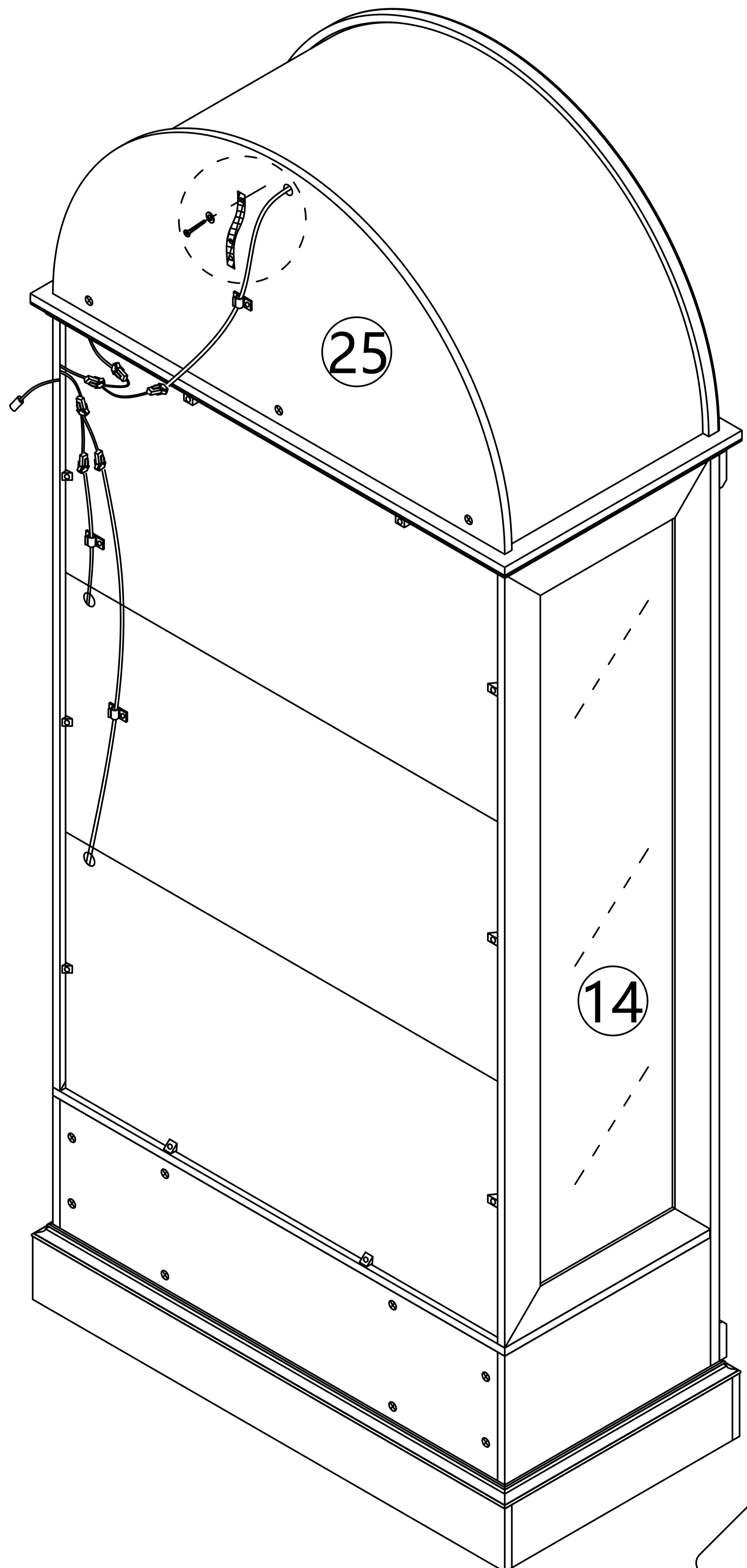


## Step 58

Install anti rewind tape at the edge of the board to prevent insufficient length when connecting to the wall

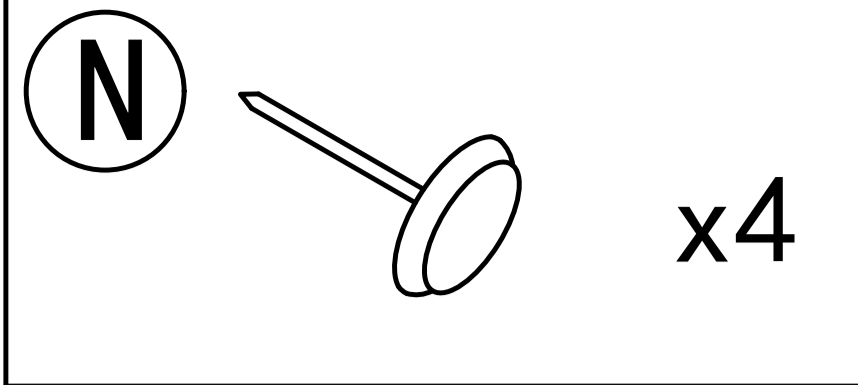


Install the anti-rewind tape on the 25 board.

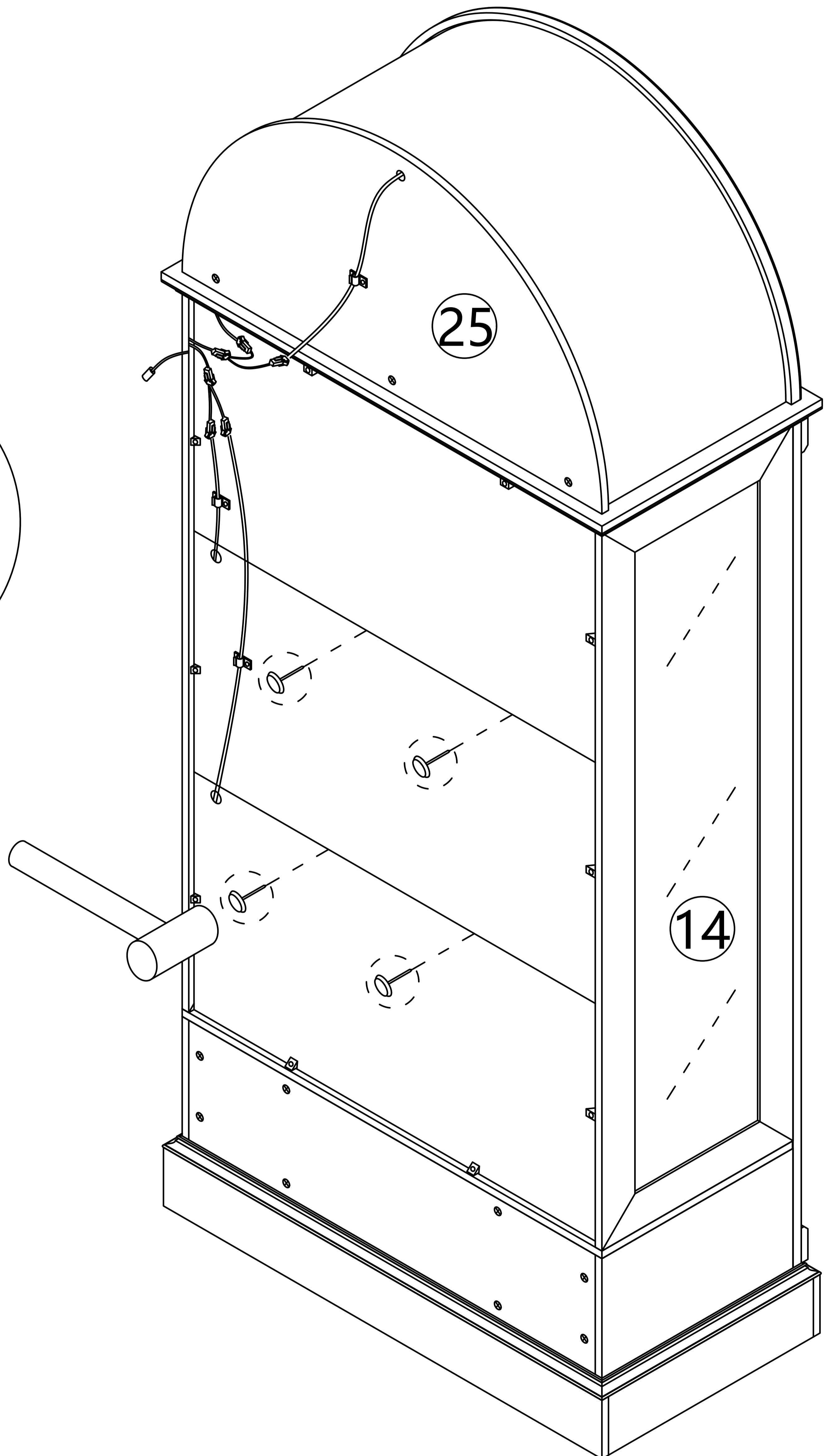
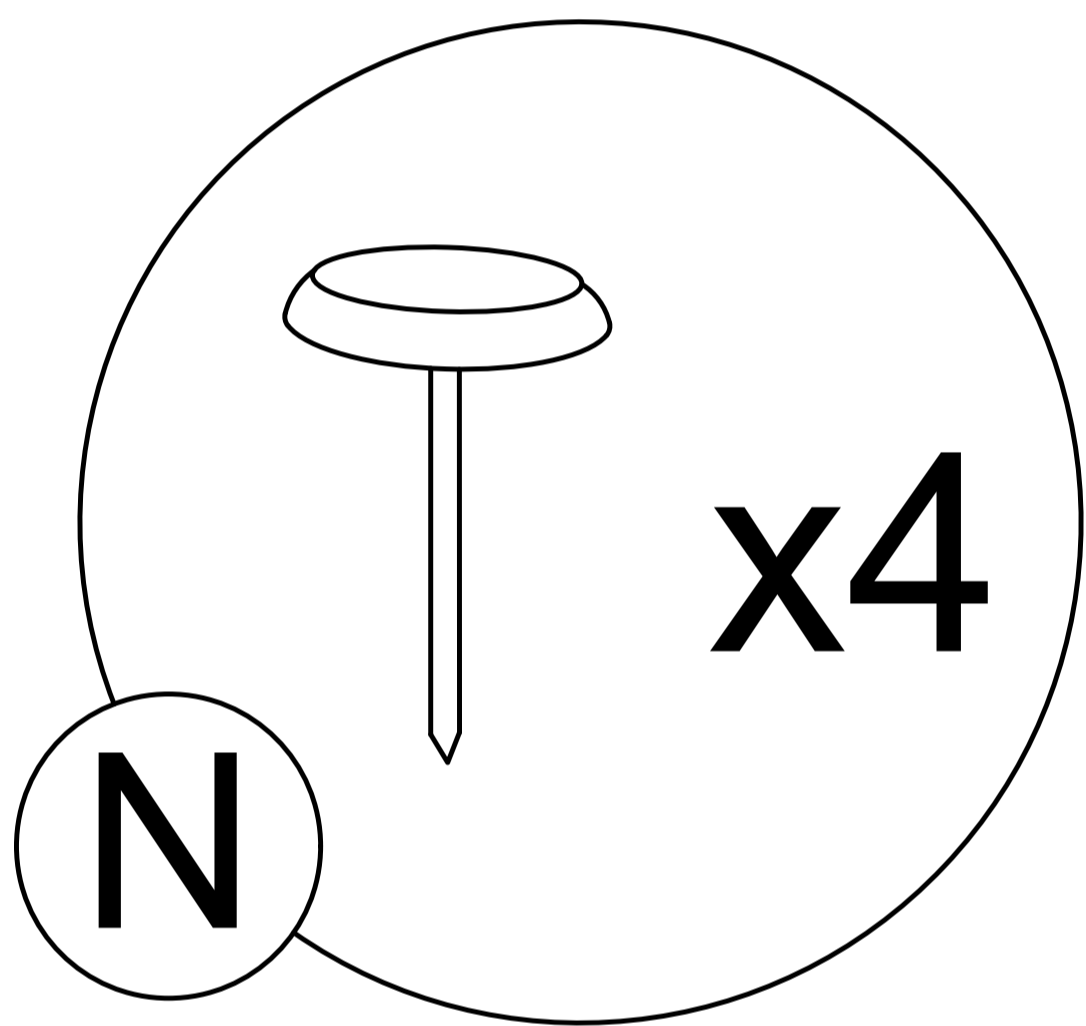


45

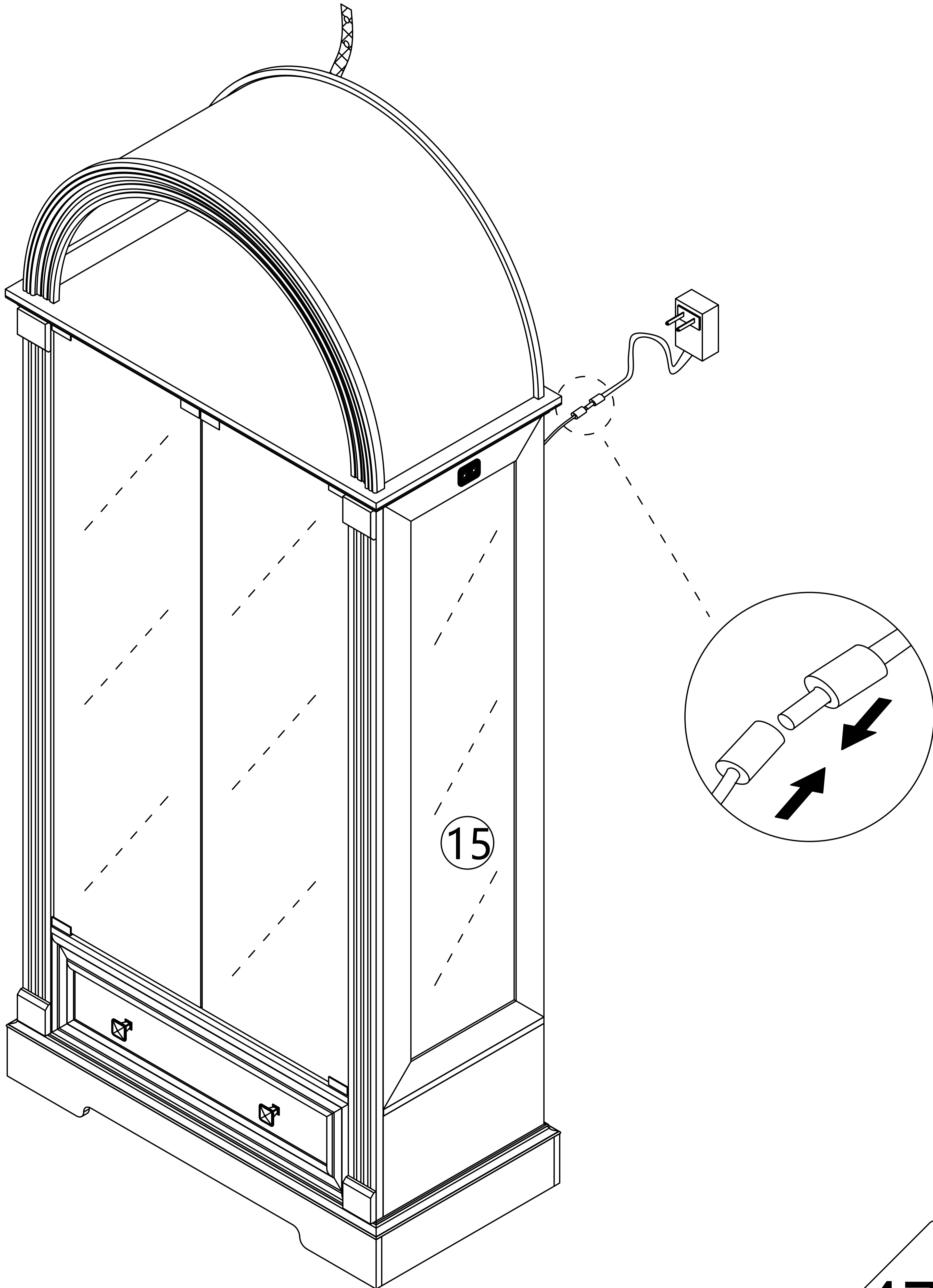
# Step 59



Use a hammer to drive the nail into the gap of the wooden board and fix the back board

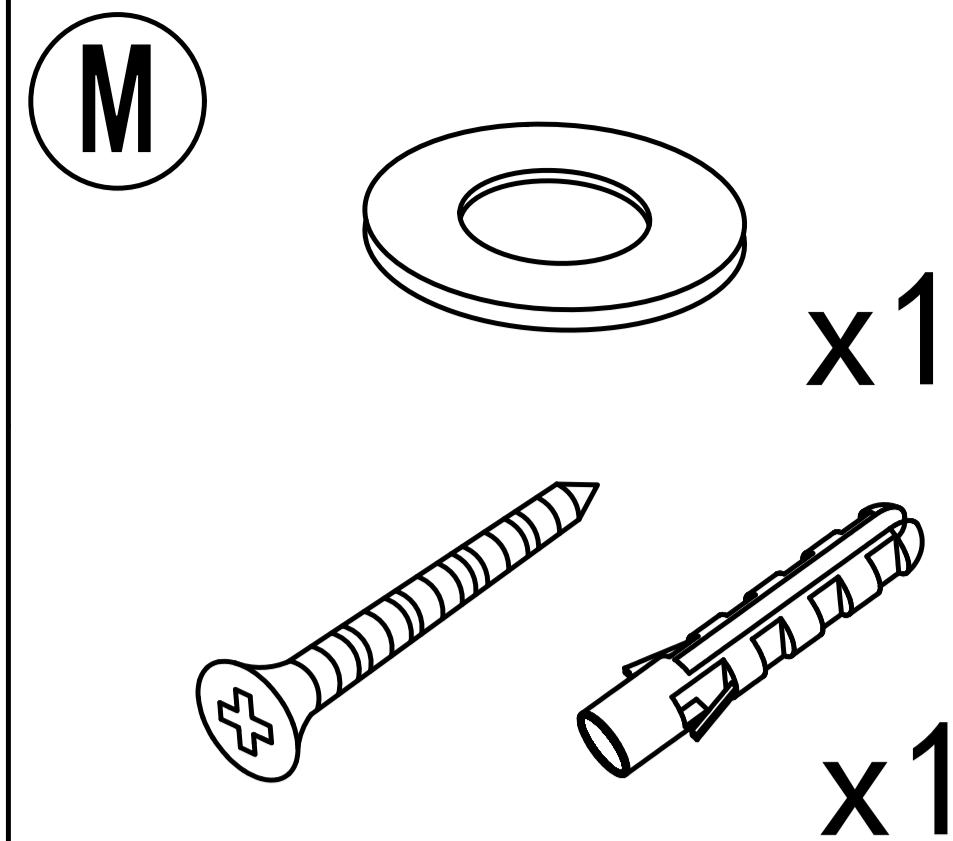
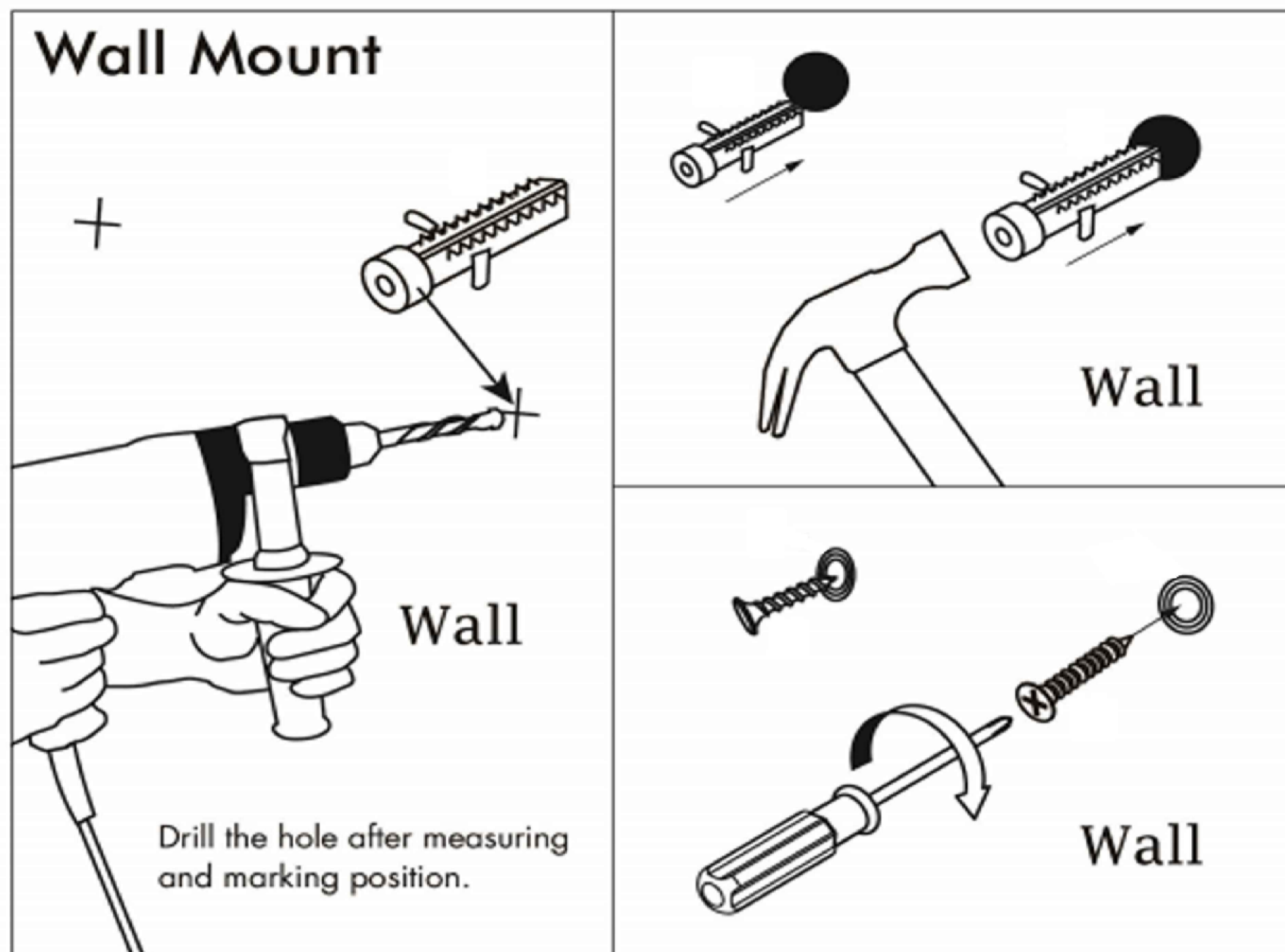


Step 60



# Step 61

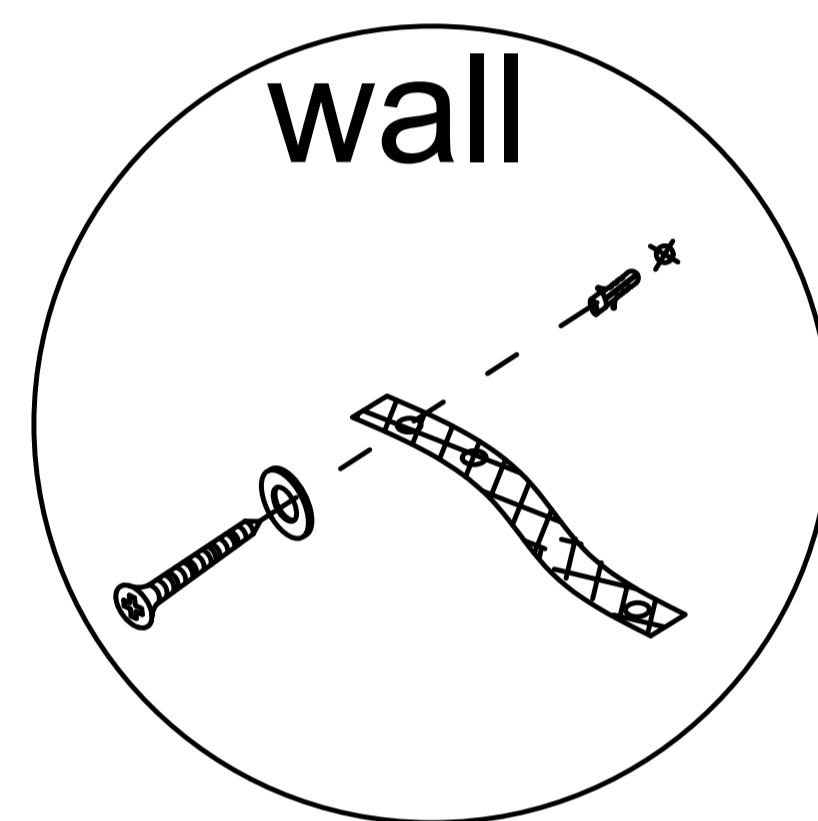
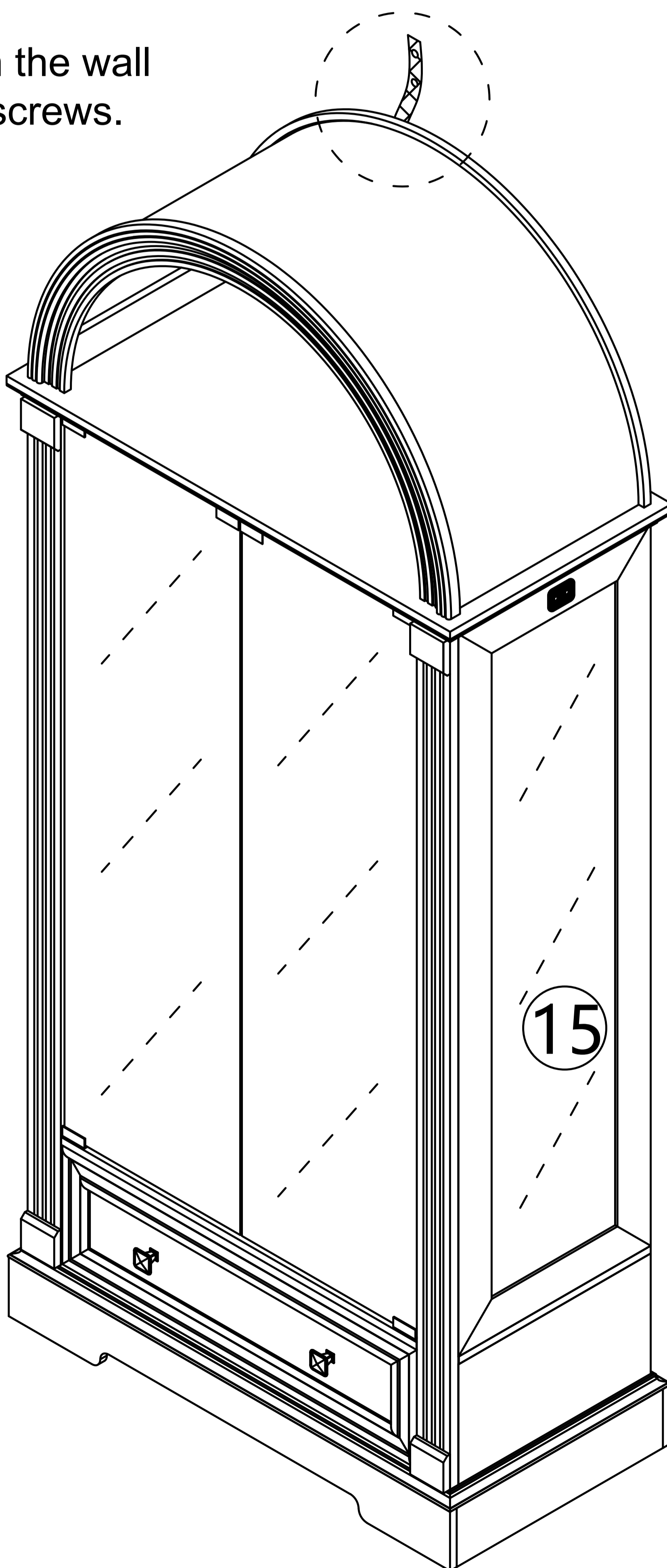
use a ruler to measure the approximate height of the product on the wall, and then mark it with a pencil.



Put the expansion bolt into the hole.

Pass the matching screws through the "anti-rewind" and tighten them to fix them on the wall.

Use a tape drill to make holes in the wall that are suitable for the product screws.



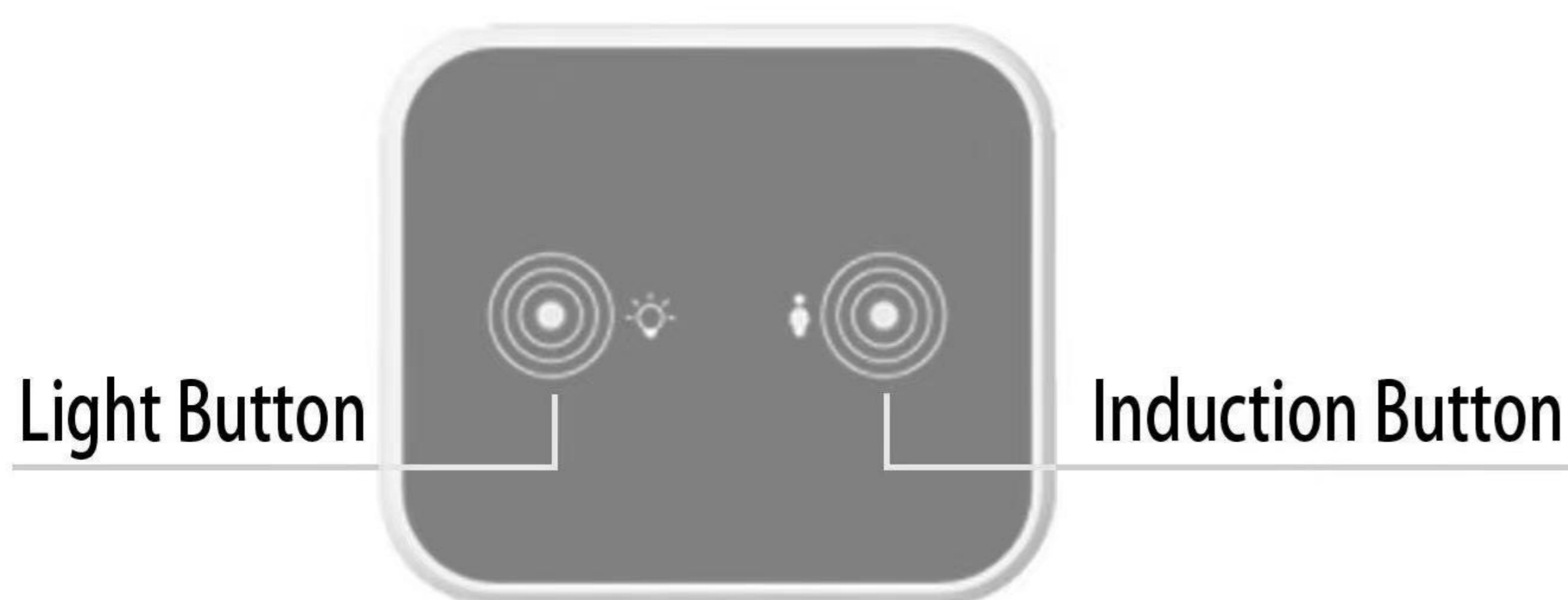
## User's Guide

Thank you for purchasing this product. To use this product, please plug it into a 12V DC power supply. Please use if the product works normally after connecting to power.

## Introduction

The box is an intelligent controller with 2 touch buttons. It can turn ON/OFF the light, change light colors, and adjust the light luminance.

## Product Show



### ATTENTION PLEASE

1. If there is no touch response suddenly, Re-plug the power to reset the touch static electricity.
2. If bubbles appear on the panel, remove the protective film.

## Operation



This touch button is used to turn on/off, change colors, and adjust brightness.

A. Short touch -> lighting on -> short touch -> change light color -> short touch -> change light color -> short touch -> lighting off. B. Long touch -> adjust the luminance



This touch button is used to turn on/off the induction function.

A. Short touch to turn on the induction function. It can auto-turn on the light when people are close to the controller in 1 meters. It can auto power off the light when the body is far away from the controller after 30 seconds.

B. Long touch to turn off the induction function.

C. Note: When you touch the light button to change the light modes, the induction function will automatically turn off. It is best to turn on this function after selecting the light color and adjusting the brightness you want.