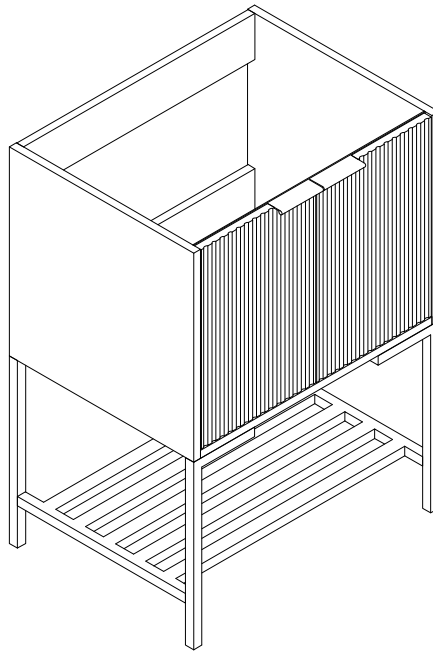


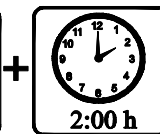
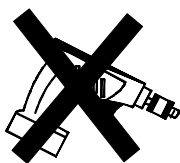
ASSEMBLY INSTRUCTIONS

BATH VANITY-CABINET

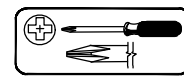


Thank you for purchasing this quality product. Be sure to check all packing material carefully for small parts which may have come loose inside the carton during shipment. Separate, identify and count all parts and hardware. Compare with the parts list to be sure all parts are present.
"DO NOT TIGHTEN SCREWS UNTIL COMPLETELY ASSEMBLED"

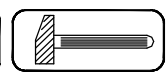
*** Use of power tool to assemble this product will invalidate any claim and damage this product making unsafe !!!**
*** Please assemble on a clean soft surface to avoid damage.**



Tools Required



(Not included)



(Not included)

IMPORTANT:

PLEASE READ INSTRUCTION BEFORE STARTING THE ASSEMBLY

Thank you for buying our products.

Please read the installation manual carefully before installation,

we need you to follow the instructions on the accessories and hardware

step by step assembly complete, our instructions are very detailed.

Products are environmentally friendly products,

Please rest assured that you do not soak in water, do not place very heavy items,

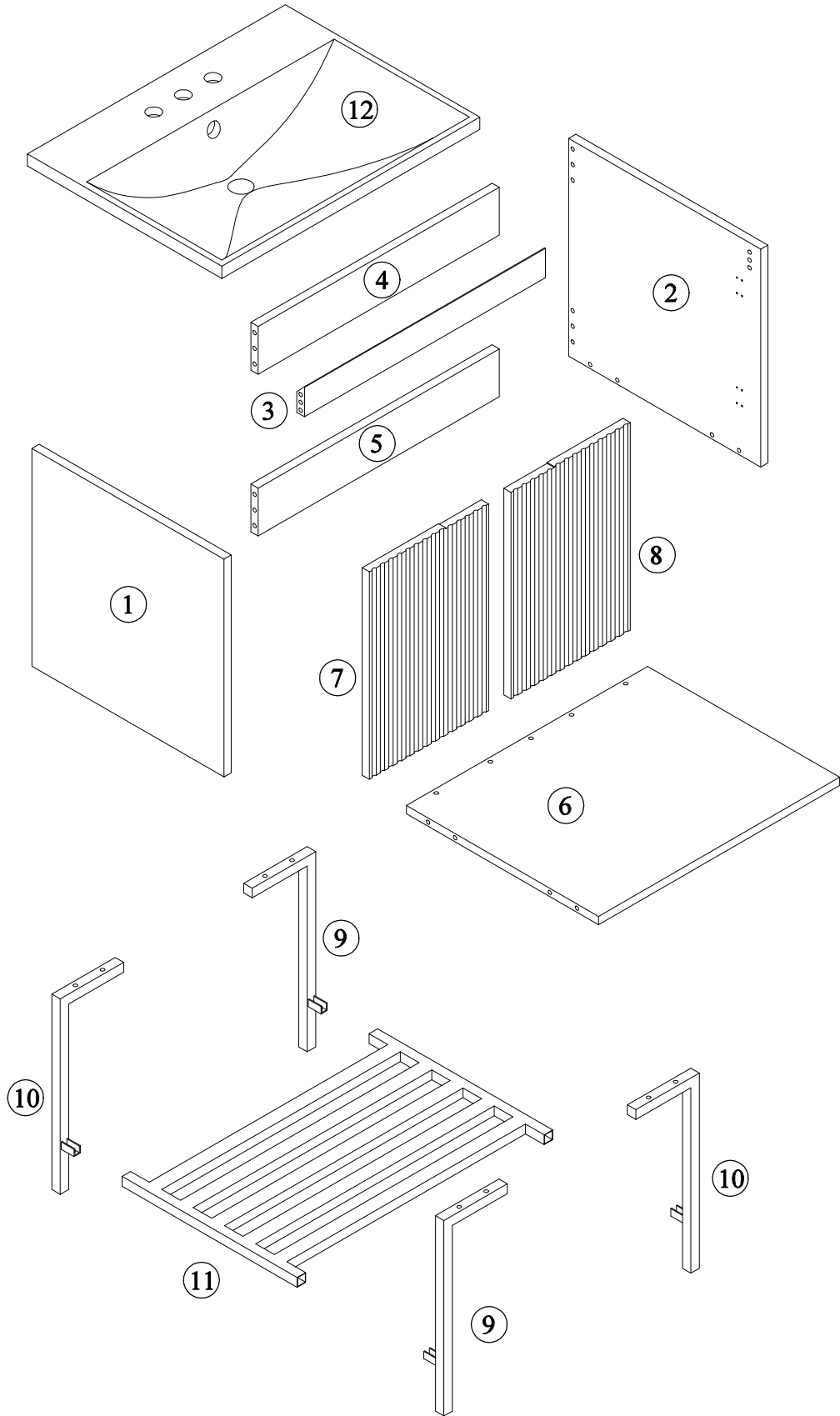
do not malicious push and pull,

if you have any problems in the process of assembly and use, please contact us.

Thank you again for your purchase of our products,

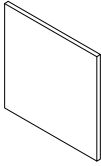
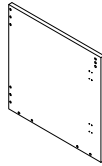
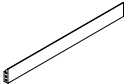
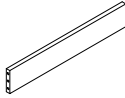
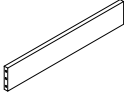
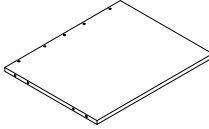
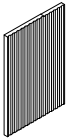
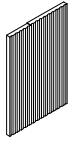

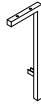
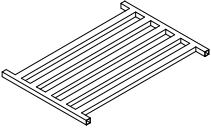
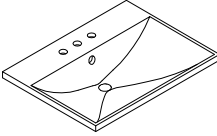
I wish you a happy life.

Detail View - CABINET




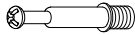

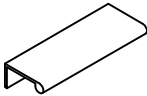
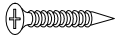
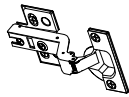
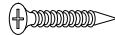


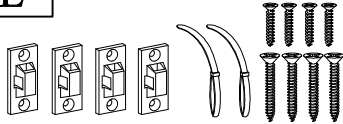


Identifying the Hardware-Identify the hardware using the illustrations below.

Part List - WF306257

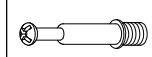
<p>1</p>  <p>Side Panel (L) - 1pc</p>	<p>2</p>  <p>Side Panel (R) - 1pc</p>
<p>3</p>  <p>Front Crossbar Top - 1pc</p>	<p>4</p>  <p>Rear Panel Top - 1pc</p>
<p>5</p>  <p>Rear Panel Bottom - 1pc</p>	<p>6</p>  <p>Panel Bottom - 1pc</p>
<p>7</p>  <p>Door Cabinet (L) - 1pc</p>	<p>8</p>  <p>Door Cabinet (R) - 1pc</p>
<p>9</p>  <p>Foot Metal (L) - 2pcs</p>	<p>10</p>  <p>Foot Metal (R) - 2pcs</p>
<p>11</p>  <p>Frame Metal - 1pc</p>	<p>12</p>  <p>Sink - 1pc</p>

Hardware List - WF306257

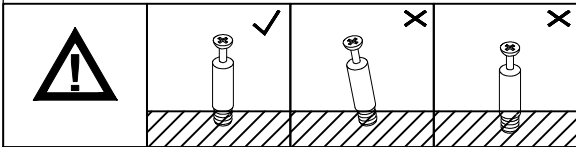
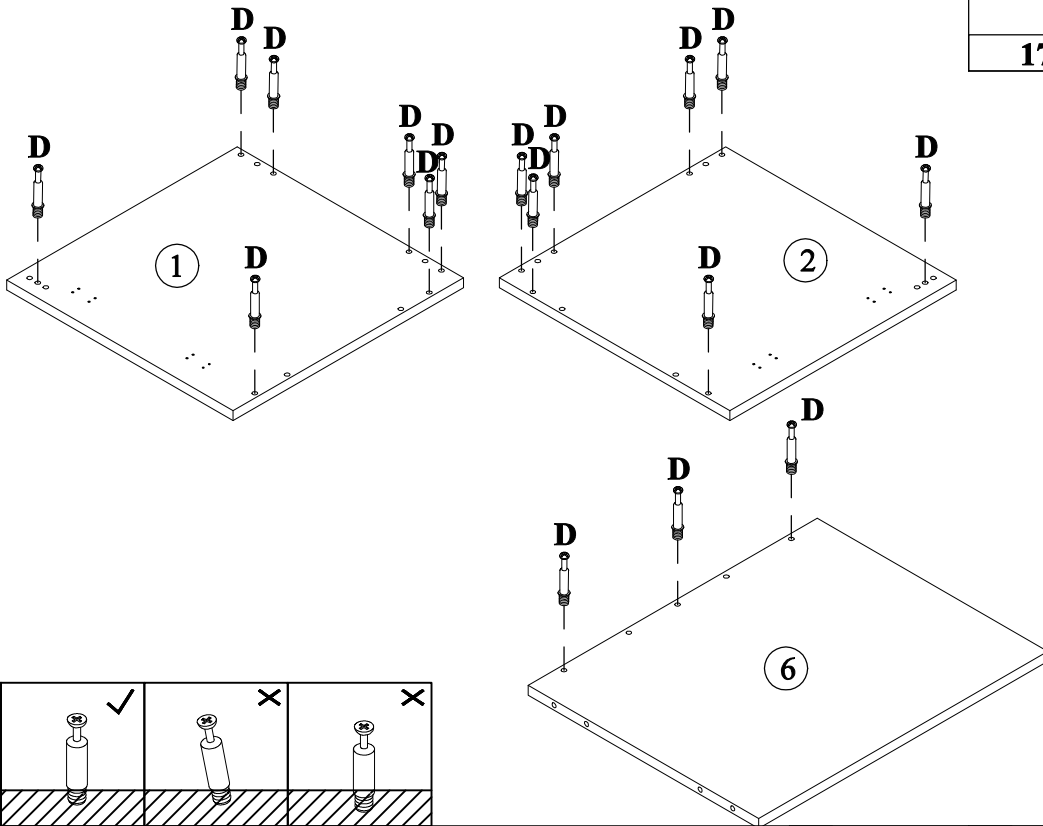
A  $\varnothing 13 \times 1/4" \times 15 \text{mm}$ Hex-Head bolts (4pcs)	B  $\varnothing 13 \times 1/4" \times 32 \text{mm}$ Hex-Head bolts (8pcs)	C  $\varnothing 1/4" \times 16 \times 1 \text{mm}$ Washer (12pcs)
D  $\varnothing 6 \times 35 \text{mm}$ Three in one bolts (17pcs)	E  $\varnothing 14.5 \times 12 \text{mm}$ Three in one lock (17pcs)	F  Handle (2pcs)
G  $\varnothing 7 \times \varnothing 3.5 \times 12 \text{mm}$ Flat head screw (6pcs)	H  Damping hinge (4pcs)	I  $\varnothing 7 \times \varnothing 3.5 \times 15 \text{mm}$ Flat head screw (24pcs)
J  $\varnothing 8 \times 30 \text{mm}$ Wood dowel (14pcs)	K  4mm Allen key (1pc)	L  Anti fall hardware (1set)

STEP: 1

D



17PCS



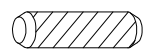
STEP: 2

E

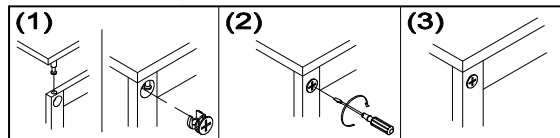
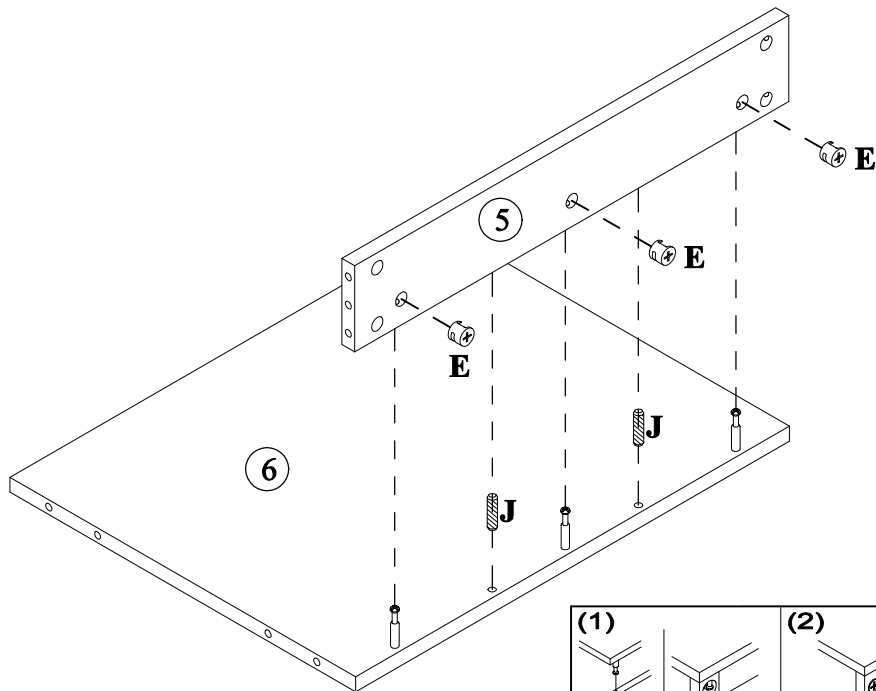


3PCS


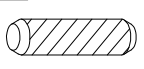
J

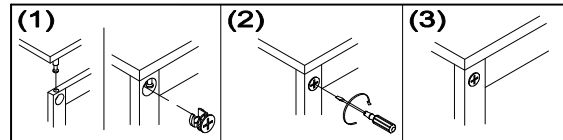
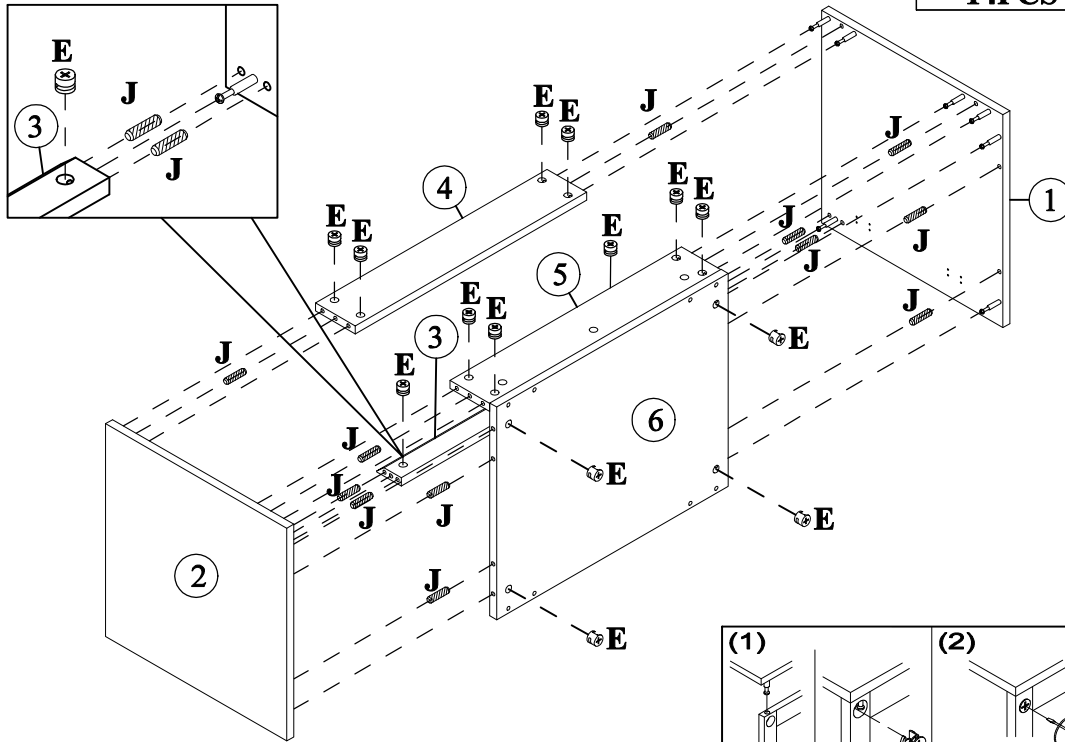


2PCS





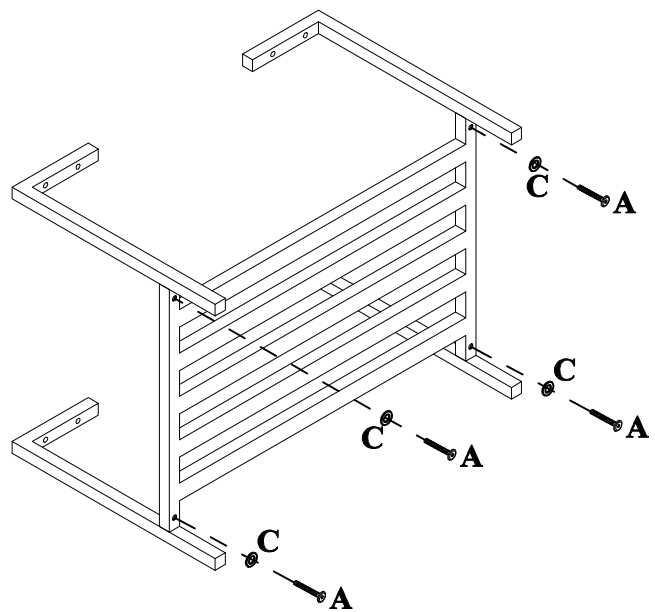
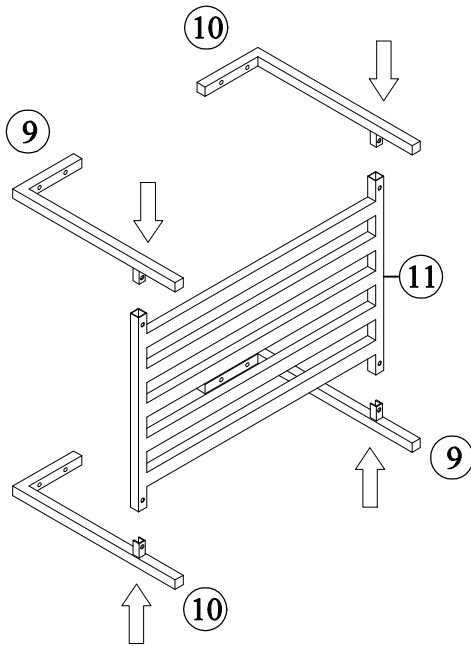
STEP: 3

E		J	
	14PCS		12PCS





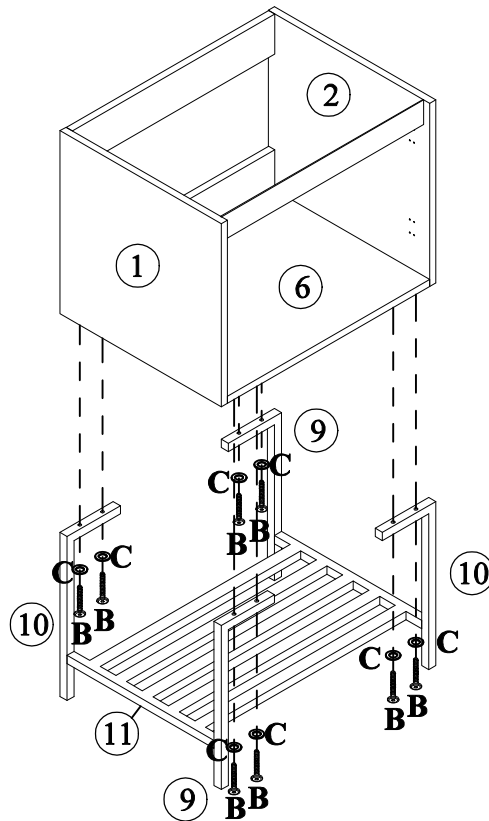
STEP: 4

A		C	
	4PCS		4PCS


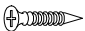


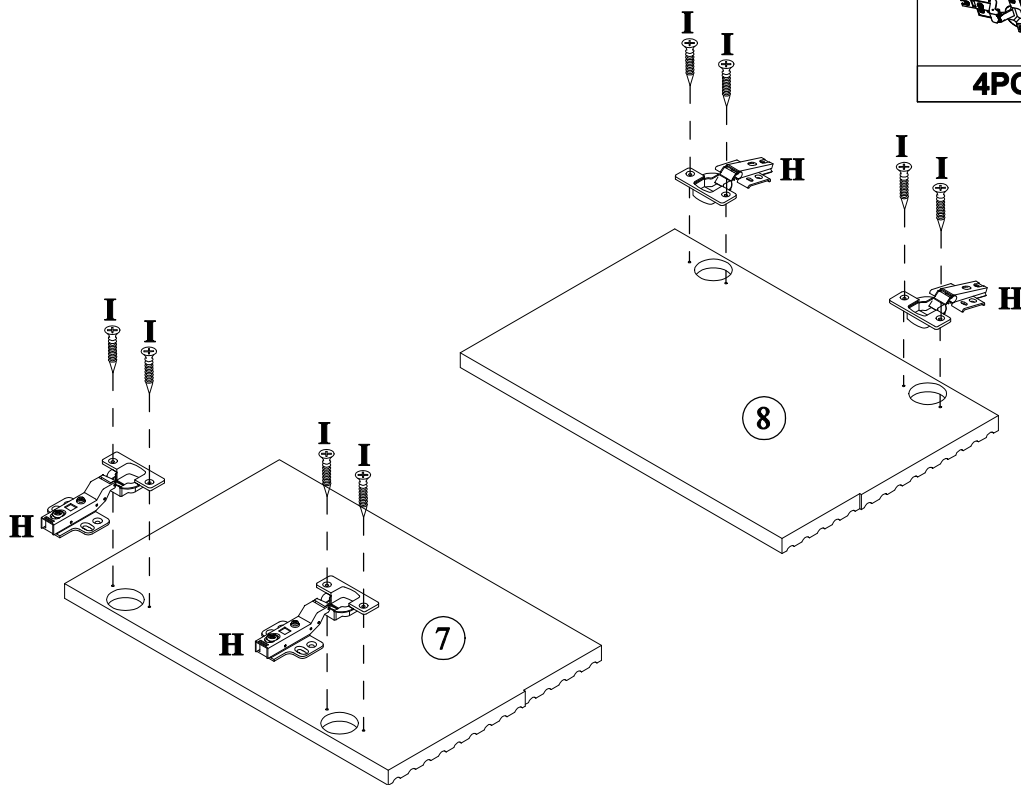
STEP: 5

B	C
	
8PCS	8PCS

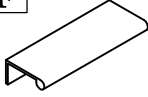
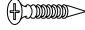
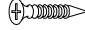


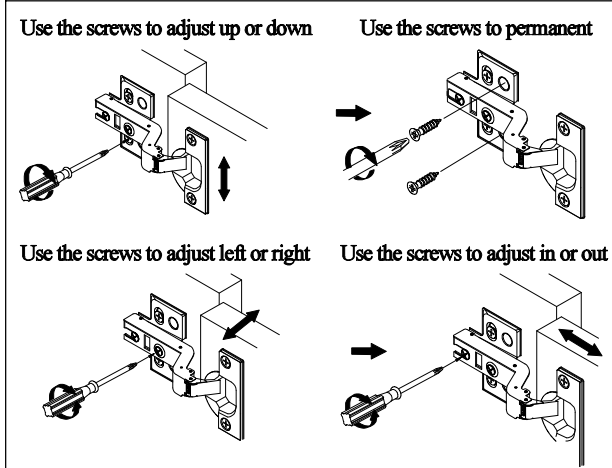
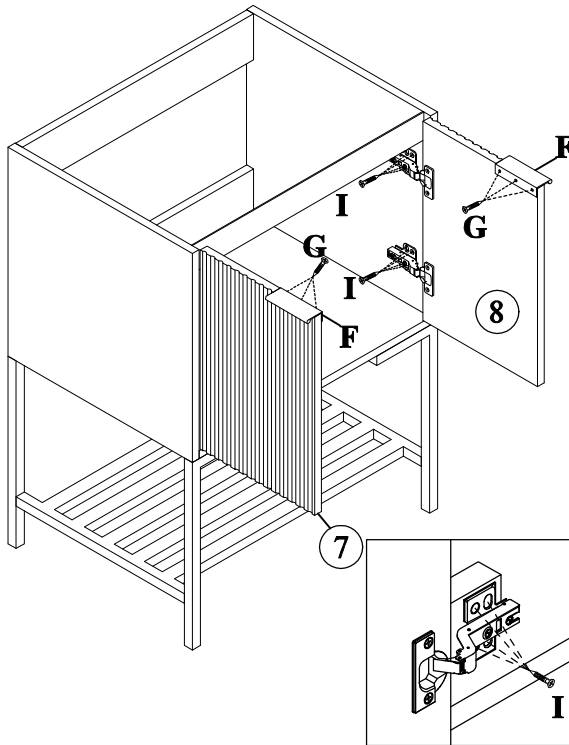
STEP: 6

H	I
	
4PCS	8PCS





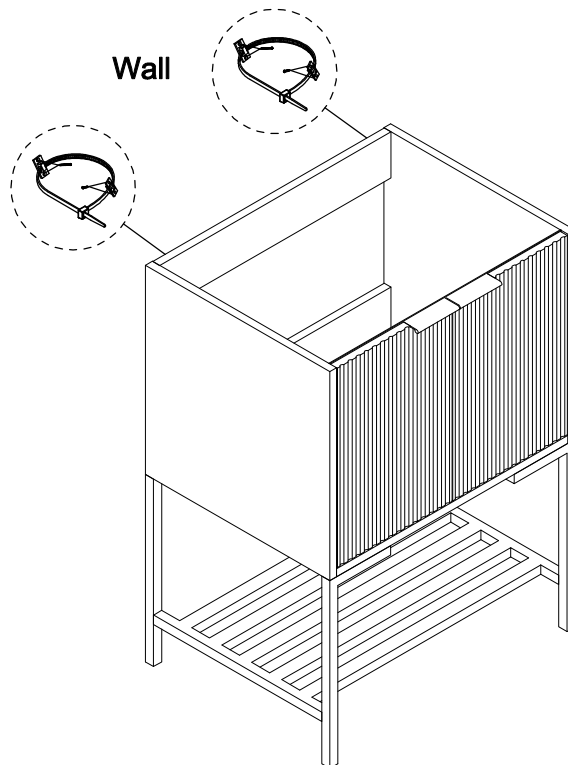
STEP: 7

F	G	I
		
2PCS	6PCS	16PCS



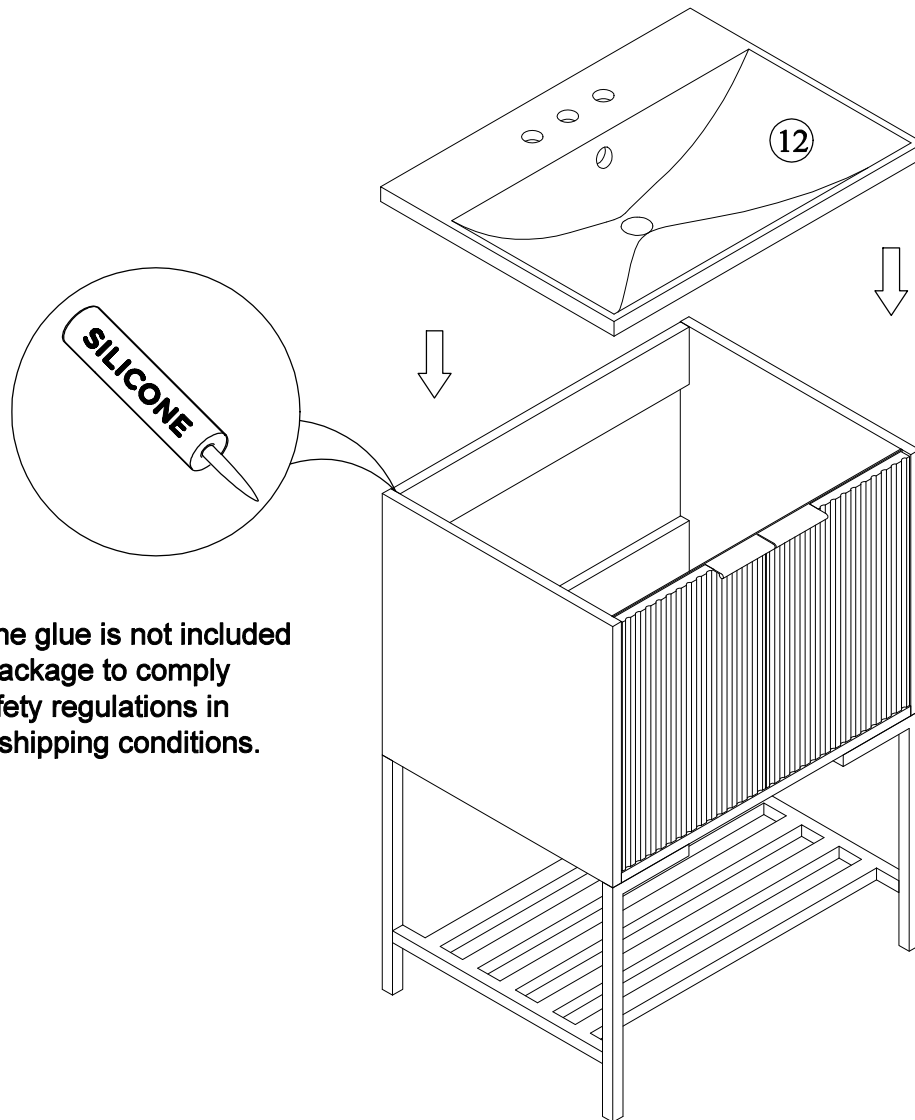
STEP: 8

L	
	
	1SET



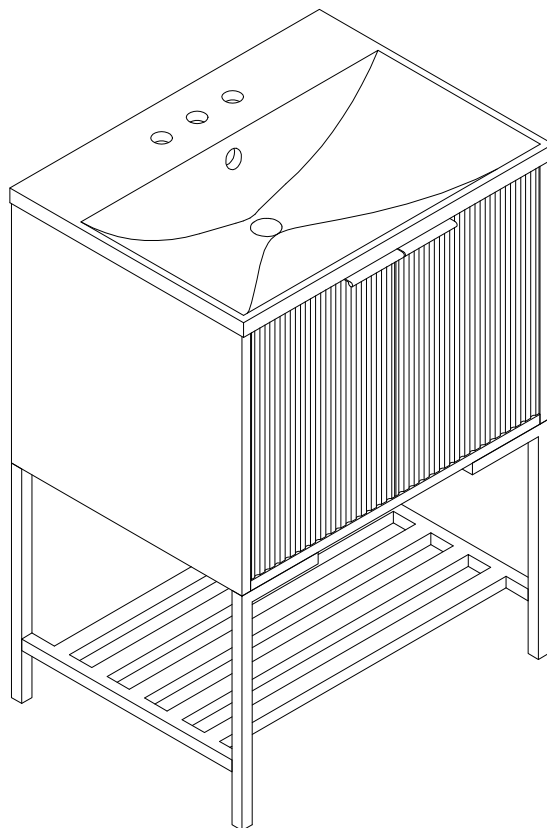
STEP: 9

**Install the sink on the cabinet with glue.
Let stand for 24 hours**

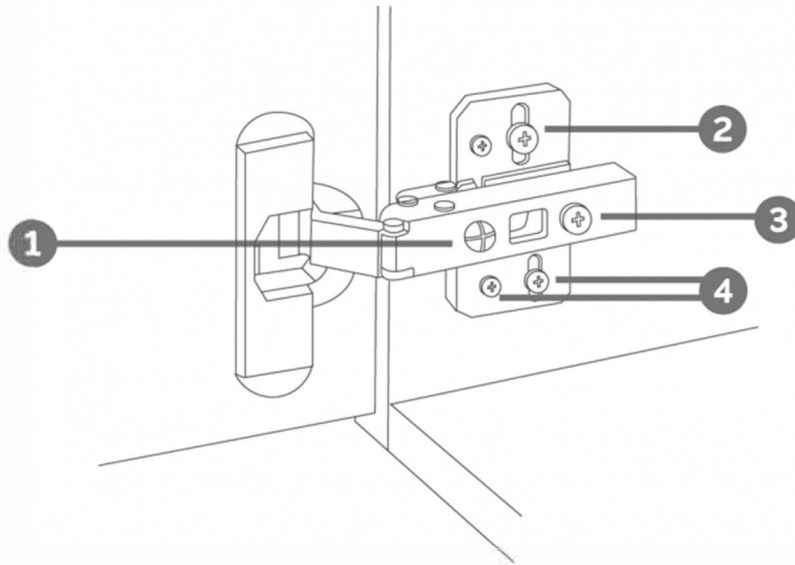


***Silicone glue is not included
in the package to comply
with safety regulations in
certain shipping conditions.**

STEP: 10

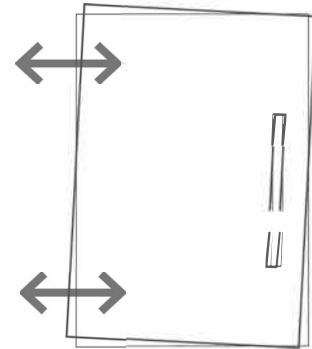


HINGE ADJUSTMENTS



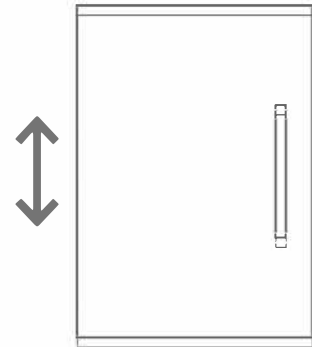
1 Sideways / Tilt adjustment

Turn the screw
clockwise to move the door further away from
the side of the cabinet
anticlockwise to move the door closer to the
side of the cabinet



2 4 Height adjustment

While supporting the weight of the door, turn the
screws
clockwise to move the door up
anticlockwise to move the door down



3 Forward and back adjustment

If the gap between the back of the door and the
cabinet is too small, and the door may not close
fully. Turn the screw
clockwise to decrease the gap between the
door and the cabinet
anticlockwise to increase the gap between the
door and the cabinet

