

BRIZO®

RAINCAN SHOWER HEAD

■ Single-Function Square Raincan Shower Head

FEATURES:

- Touch-Clean® Spray Holes

STANDARD SPECIFICATIONS:

- Max. flow rate 2.5 gpm @ 80 psi, 9.5 L/min @ 550 kPa (81399-▲-2.5)
- Max. flow rate 1.75 gpm @ 80 psi, 6.6 L/min @ 550 kPa (81399-▲)
- Standard 1/2" pipe fittings. Wrench flats for tightening.
- Solid fabricated brass showerhead
- Shower head is intended for overhead raincan orientation. Ball connector rotates and pivots.
- Finished spray face

WARRANTY

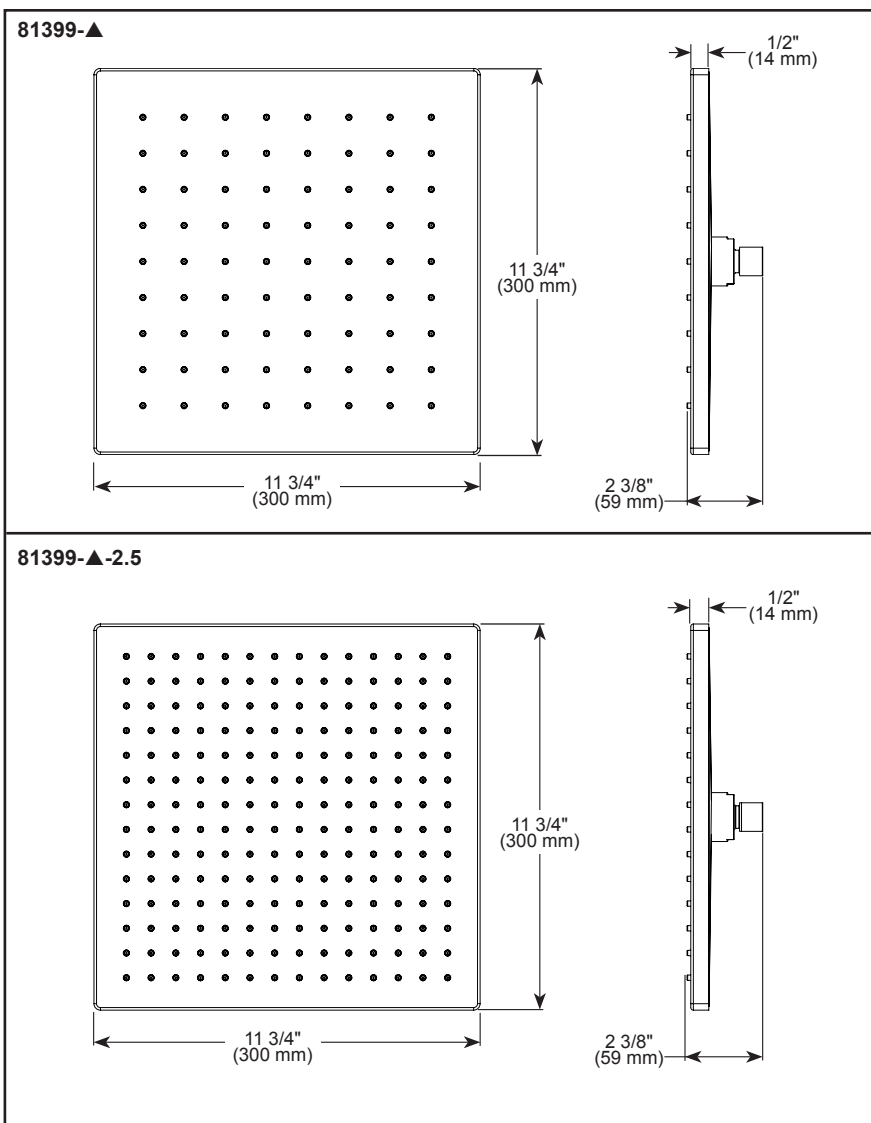
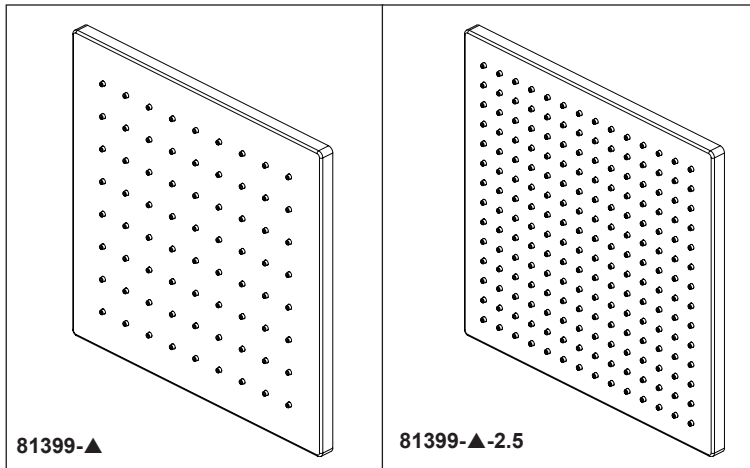
- Parts and Finish – Lifetime limited warranty; or for commercial purchasers, 10 years for multi-family residential (apartments and condominiums) and 5 years for all other commercial uses, in each case from the date the product is received by the original purchaser or their authorized representative (installation contractor, etc.).
- Please go to www.brizo.com for the complete details of our limited warranty.



Certified by
CSA Group
SHOWER HEADS
POUMES DE DOUCHE
CASERNAS DE REGADERA

COMPLIES WITH:

- ASME A112.18.1 / CSA B125.1
- EPA WaterSense® - Applies to 81399-▲ only



▲ Designate proper finish suffix

Brizo Kitchen & Bath Company reserves the right (1) to make changes in specifications and materials, and (2) to change or discontinue models, both without notice or obligation. Dimensions are for reference only. See current full-line price book or www.brizo.com for finish options and product availability.

BSP-B-81399 Rev. B

Brizo Kitchen & Bath Faucet Company

55 E. 111th Street, Carmel, IN 46280
350 South Edgeware Road, St. Thomas, ON N5P 4L1
© 2025 Brizo Kitchen & Bath Faucet Company