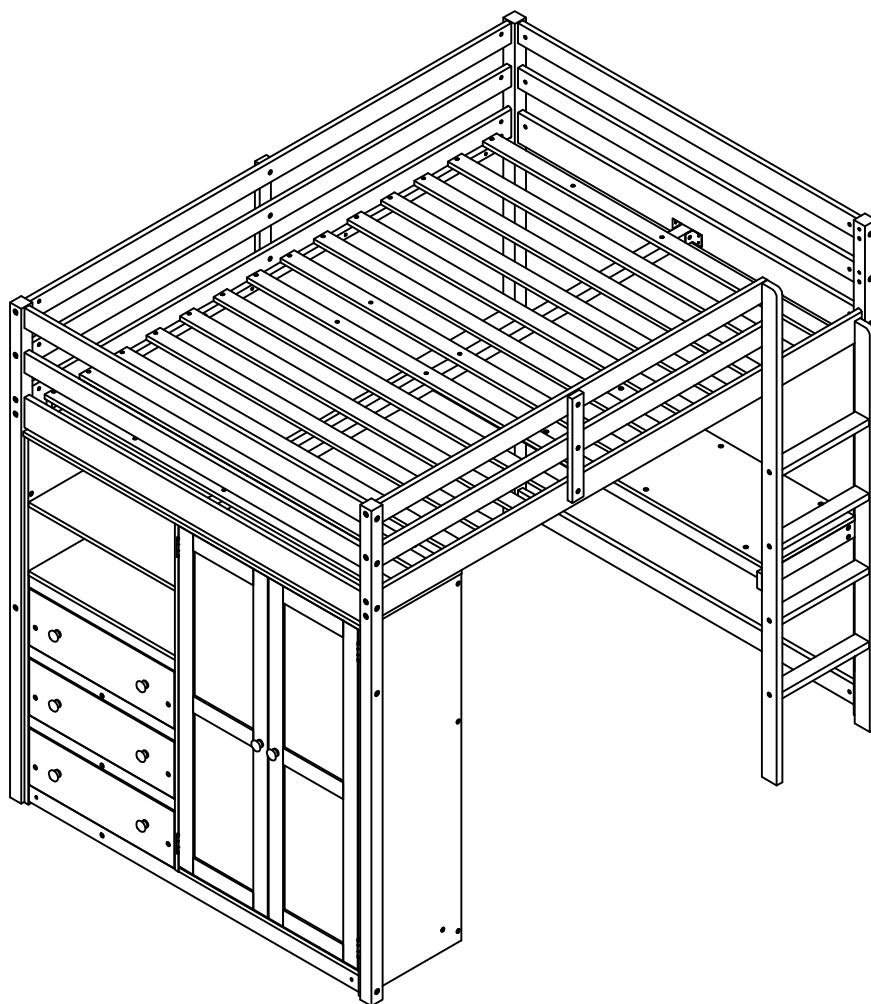


ASSEMBLY INSTRUCTIONS

FULL LOFT BED WITH CHEST



SAFETY WARNINGS AND GENERAL NOTES:

Follow the information on the warnings on the loft bed end structure and on the carton. Do not remove the warning label from the bed. Always use the recommended size mattress on mattress support, or both, to help prevent the likelihood of entrapment or falls.

The top surface of the mattress must be at least 5*inch (127mm) below the upper edge of the guardrail.

Do not allow children under 6 years of age to use the upper bunk.

Periodically check and ensure the guardrail, ladder and other components are in their proper position, free from damage, and all connectors are tight.

Do not allow horseplay on or under beds.

Always prohibit jumping on the bed.

Prohibit more than one person on upper bunk.

Always use the ladder for entering and leaving the upper bunk.

Do not use substitute parts. Contact the manufacturer or dealer for replacement parts.

Use of a night-light may provide added safety precaution for a child using the upper bunk.

Always use guardrails on both long sides of the upper bunk.

If the loft bed will be placed next to a wall, the guardrail that runs the full length of the bed should be placed against the wall to prevent entrapment between the bed and the wall.

The use of water or sleep flotation mattresses is prohibited.

STRANGULATION HAZARD-Never attach or hang items to any part of the loft bed that are not designed for use with the bed.

Keep these instructions for future reference.

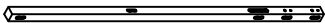
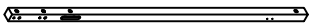
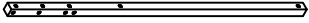







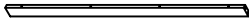
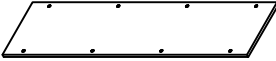
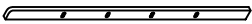
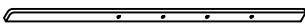
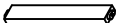
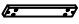
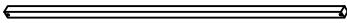
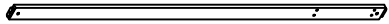



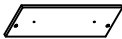

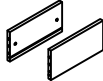
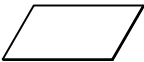
We recommend assembling your loft bed on the shipping carton to protect your floor or carpet.

Be certain all staples are out of the box before beginning assembly on the shipping carton.


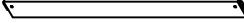




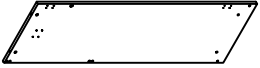



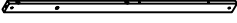



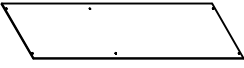
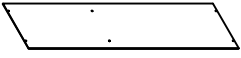
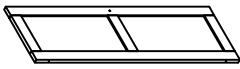
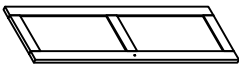

USE ONLY MATTRESSES WHICH ARE 74"-75" LONG AND 54" WIDE ON UPPER BUNKS. ENSURE THICKNESS OF MATTRESS DOES NOT EXCEED 6".

SURFACE OF MATTRESS MUST BE AT LEAST 5" (127MM) BELOW THE UPPER EDGE OF GUARDRAILS.

Part List

| | | |
|--|---|--|
| <p>A</p>  <p>Leg (Right back) - 1pc</p> | <p>A1</p>  <p>Leg (Right front) - 1pc</p> | <p>B</p>  <p>Leg (Left front) - 1pc</p> |
| <p>B1</p>  <p>Leg (Left back) - 1pc</p> | <p>C</p>  <p>Side rail (Back) - 1pc</p> | <p>D</p>  <p>Side rail (Front) - 1pc</p> |
| <p>E1</p>  <p>Short guard rail (Front) - 2pcs</p> | <p>E2</p>  <p>Long guard rail (Back) - 2pcs</p> | <p>F</p>  <p>Slat - 10pcs</p> |
| <p>F1</p>  <p>Slat - 4pcs</p> | <p>G</p>  <p>Support horizontal bar - 2pcs</p> | <p>G1</p>  <p>Top table - 1pc</p> |
| <p>H</p>  <p>Right side ladder - 1pc</p> | <p>H1</p>  <p>Left side ladder - 1pc</p> | <p>H2</p>  <p>Step ladder - 4pcs</p> |
| <p>J</p>  <p>Support horizontal bar(Front)- 1pc</p> | <p>K</p>  <p>Lower support slat - 1pc</p> | <p>L</p>  <p>Lower horizontal bar (Back) - 1pc</p> |
| <p>P3</p>  <p>Horizontal bar (Front/Back) - 2pcs</p> | <p>P4</p>  <p>Lower horizontal bar (Front) - 2pcs</p> | <p>P5</p>  <p>Lower horizontal bar (Back) - 2pcs</p> |
| <p>U</p>  <p>Front drawer panel - 3pcs</p> | <p>U1</p>  <p>Back drawer panel - 3pcs</p> | <p>U2</p>  <p>Left / right drawer panel - 6pcs</p> |
| <p>U3</p>  <p>Drawer bottom - 3pcs</p> | | |

Hardware inside

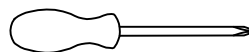
| | | |
|---|--|---|
| <p>A2</p>  <p>Upper horizontal bar - 5pcs</p> | <p>A3</p>  <p>Lower horizontal bar - 2pcs</p> | <p>E</p>  <p>Vertical guard rail - 2pcs</p> |
| <p>M</p>  <p>Top Panel - 1pc</p> | <p>M1</p>  <p>Bottom Panel (Right) - 1pc</p> | <p>M2</p>  <p>Shelf Panel (Right) - 2pcs</p> |
| <p>N</p>  <p>Side panel (Right) - 1pc</p> | <p>N1</p>  <p>Divider panel - 1pc</p> | <p>N2</p>  <p>Side panel (Left) - 1pc</p> |
| <p>P</p>  <p>Divider horizontal bar (back) - 1pc</p> | <p>P1</p>  <p>Lower horizontal bar (Front) - 1pc</p> | <p>P2</p>  <p>Lower horizontal bar (Back) - 1pc</p> |
| <p>P6</p>  <p>Upper horizontal bar (Back) - 1pc</p> | <p>Q</p>  <p>Hanging bar - 1pc</p> | <p>R</p>  <p>Back panel (Right) - 2pcs</p> |
| <p>S</p>  <p>Back panel (Left) - 2pcs</p> | <p>T</p>  <p>Door (Left) - 1pc</p> | <p>T1</p>  <p>Door (Right) - 1pc</p> |
| <p>V</p>  <p>Support drawer - 3pcs</p> | | |

Hardware List

| | | | | | |
|-----------|--|-----------|---|-----------|---|
| 1 |  Ø10*40mm Wood dowel (6pcs) | 2 |  Ø10*20mm Wood dowel (1pc) | 3 |  Ø8*30mm Wood dowel (48pcs) |
| 4 |  (Ø15)1/4"*100mm Hex-Head bolts (18pcs) | 5 |  (Ø15)1/4"*80mm Hex-Head bolts (14pcs) | 6 |  (Ø12)1/4"*60mm Hex-Head bolts (64pcs) |
| 7 |  (Ø12)1/4"*40mm Hex-Head bolts (8pcs) | 8 |  (Ø12)1/4"*30mm Hex-Head bolts (6pcs) | 9 |  (Ø12)1/4"*15mm Hex-Head bolts (2pcs) |
| 10 |  1/4"*15 (9.5mm) Horizontal-Hole bolts(94pcs) | 11 |  (Ø12)1/4"*40mm Hex-Head bolts (15pcs) | 12 |  Ø4*30mm Wood screws (34pcs) |
| 13 |  Ø3.5*15mm Wood screws (24pcs) | 14 |  Ø3.5*19mm Wood screws (4pcs) | 15 |  Ø3.5*15mm Wood screws (57pcs) |
| 16 |  340*30mm Upper slider drawer (3pcs) | 17 |  Ø38*31mm Pine Knob (8pcs) | 18 |  3/16"*25mm Ph zinc(Knob) (8pcs) |
| 19 |  (Ø13)1/4"*14mm Connect bolt (4pcs) | 20 |  140*32*19mm Stopper door (1pc) | 21 |  42*12*1mm Metal magnet (2pcs) |
| 22 |  70*37*28mm (135°) Metal bracket (4pcs) | 23 |  116*40*27mm Metal bracket (2pcs) | 24 |  63*40*30mm Metal bracket (2pcs) |
| 25 |  50*24*24*2mm Metal bracket (1pc) | 26 |  (1/4")4.5*58mm Allen key (2pcs) | | |





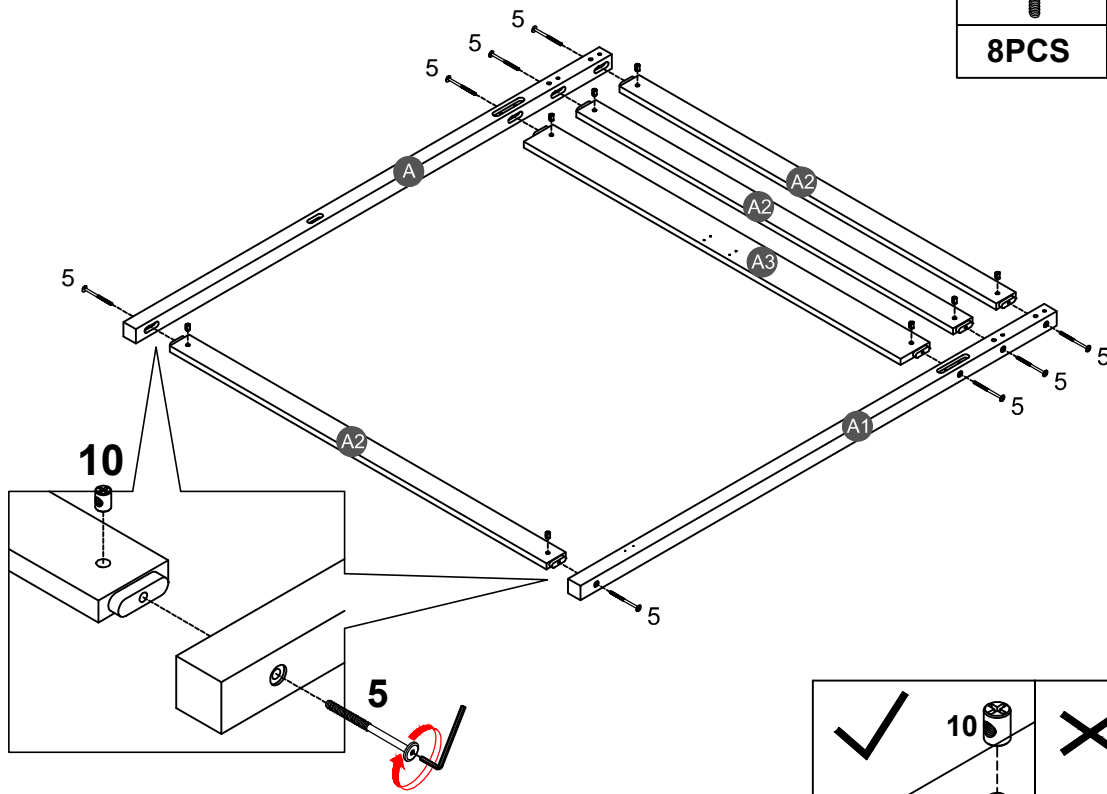
ASSEMBLY TOOLS REQUIRED (NOT INCLUDED)



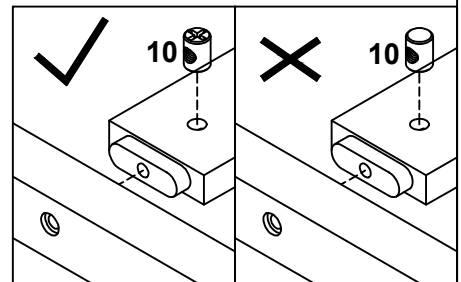
PLEASE BE CAREFUL DO NOT DAMAGE THE HOLE POSITION WHEN YOU USE POWER TOOLS !

STEP 1:

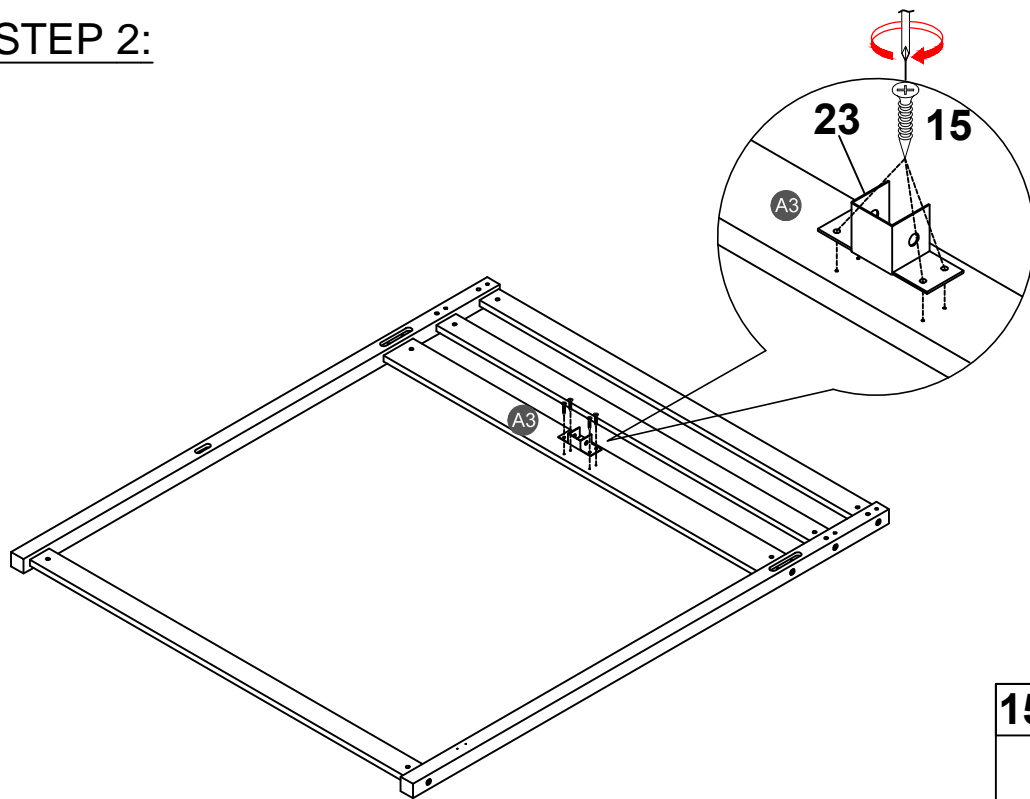
| | | | |
|-------------|---|-------------|---|
| 5 |  | 10 |  |
| 8PCS | | 8PCS | |


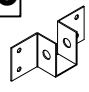


Note: Part 10 will face up with the "x" mark on it, otherwise it cannot be tightened

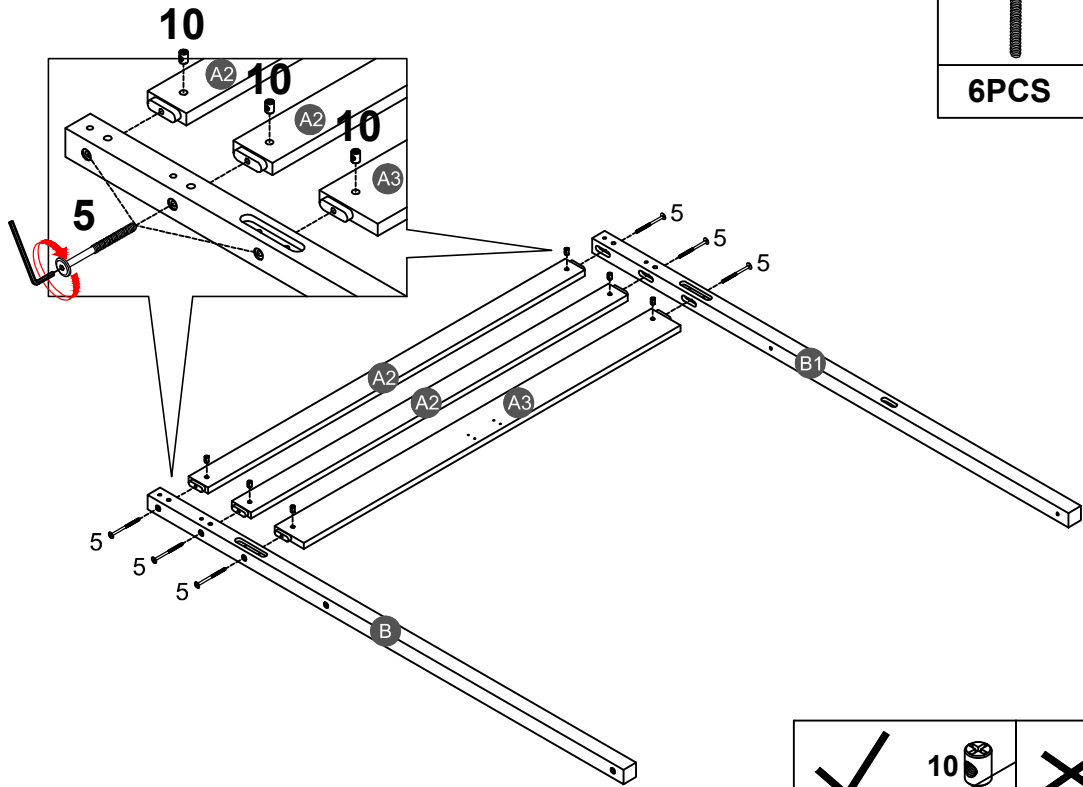


STEP 2:



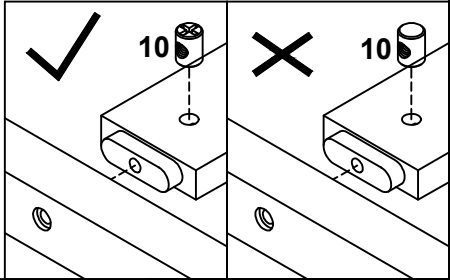
| | | | |
|-------------|---|------------|---|
| 15 |  | 23 |  |
| 4PCS | | 1PC | |

STEP 3:

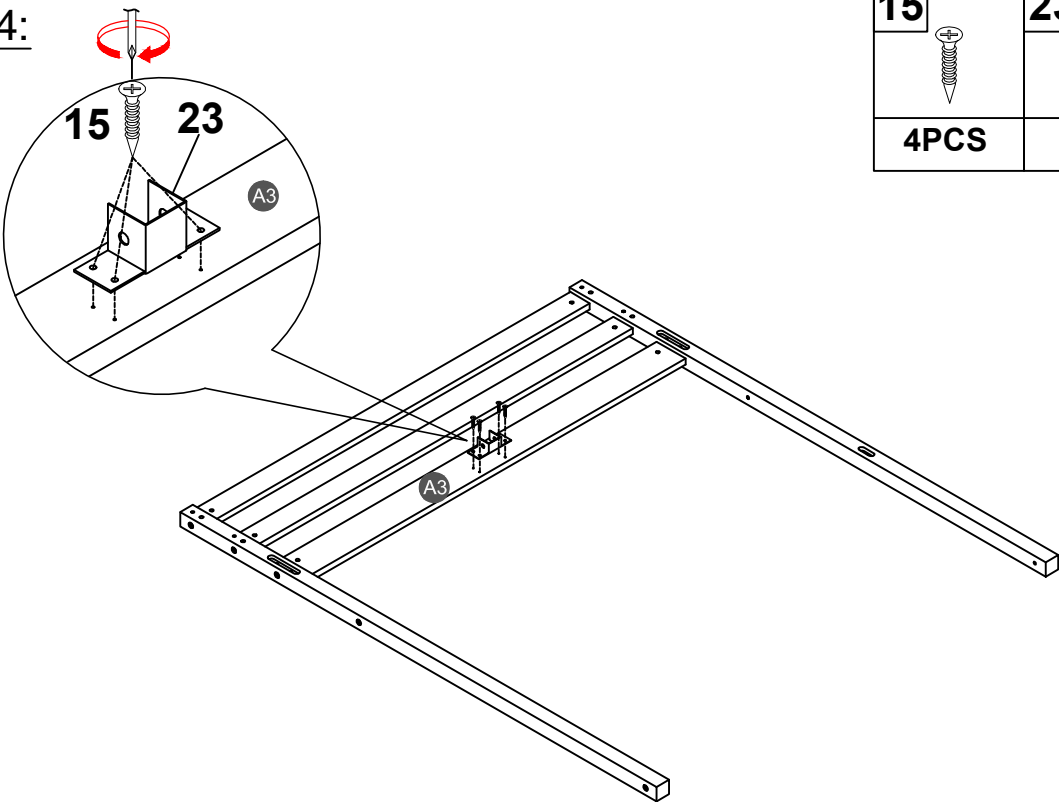


| | | | |
|-------------|--|-------------|--|
| 5 | | 10 | |
| 6PCS | | 6PCS | |

Note: Part 10 will face up with the "x" mark on it, otherwise it cannot be tightened

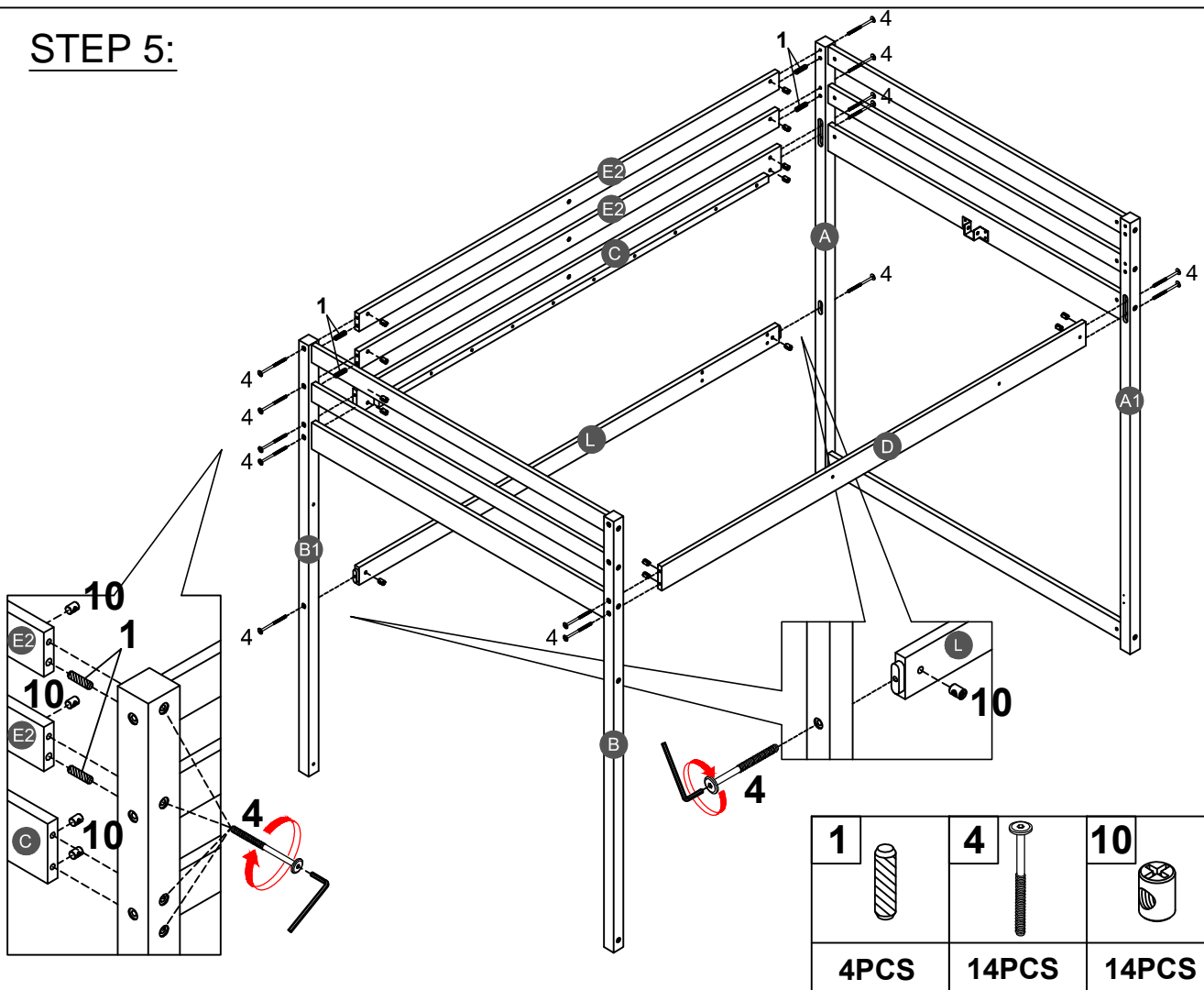


STEP 4:

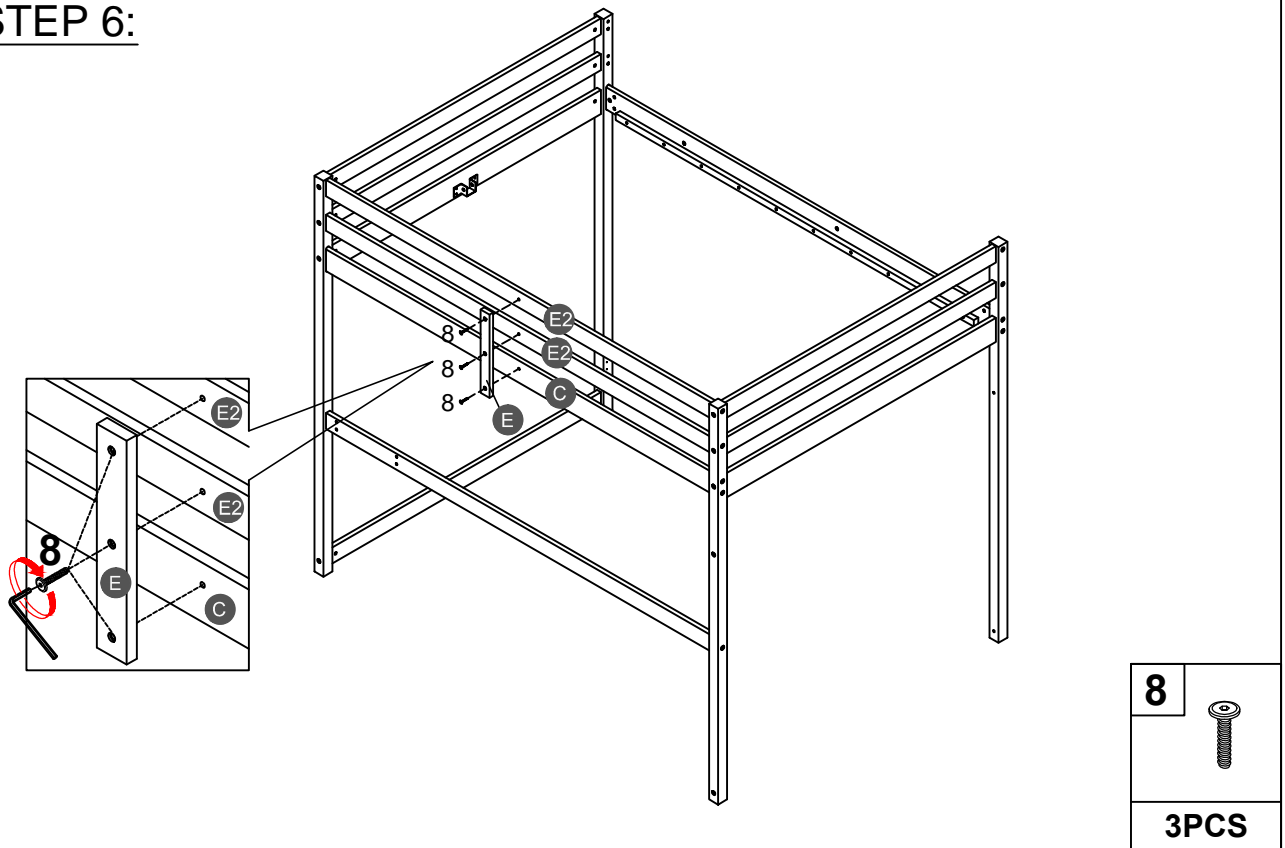


| | | | |
|-------------|--|------------|--|
| 15 | | 23 | |
| 4PCS | | 1PC | |

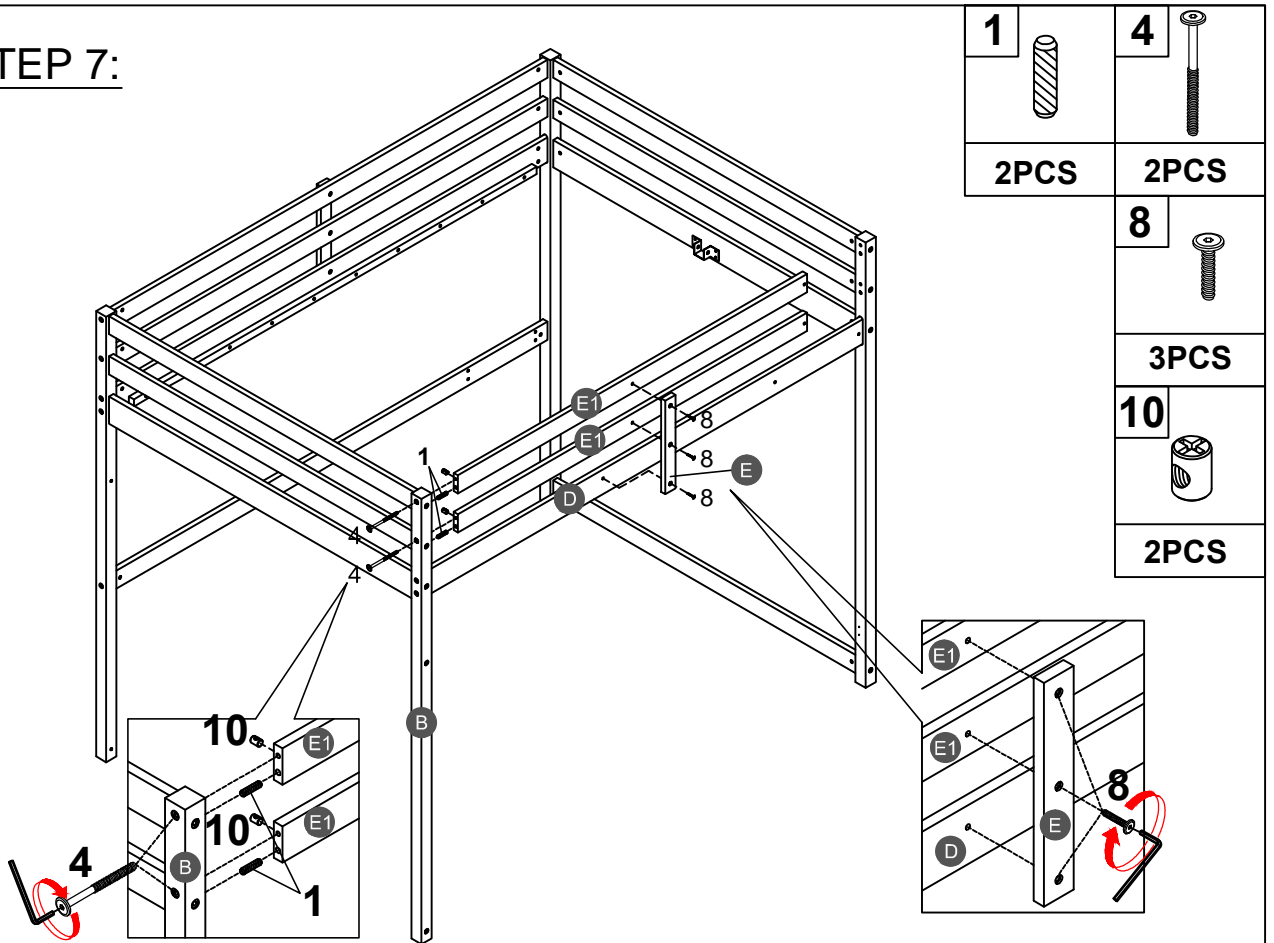
STEP 5:



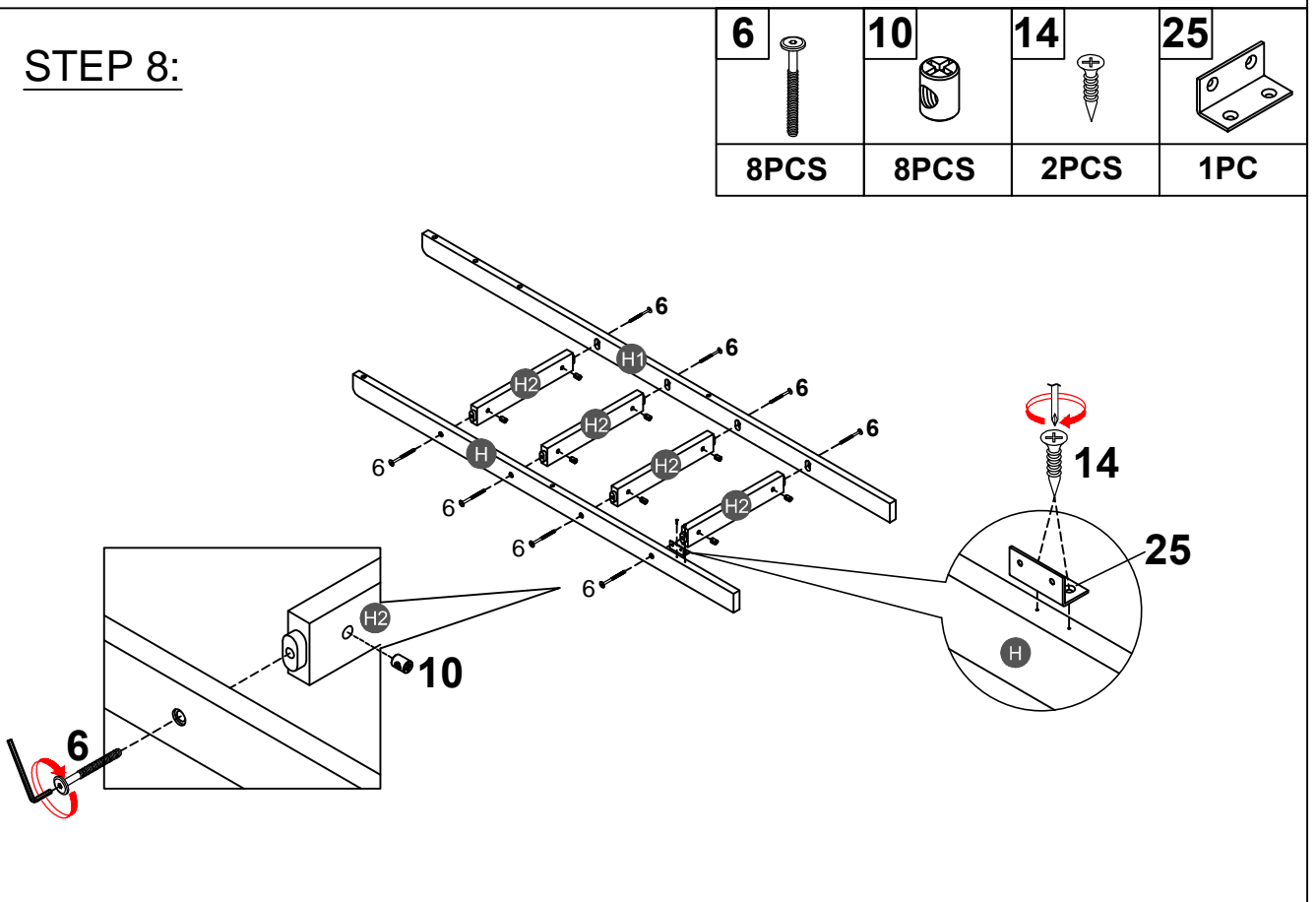
STEP 6:



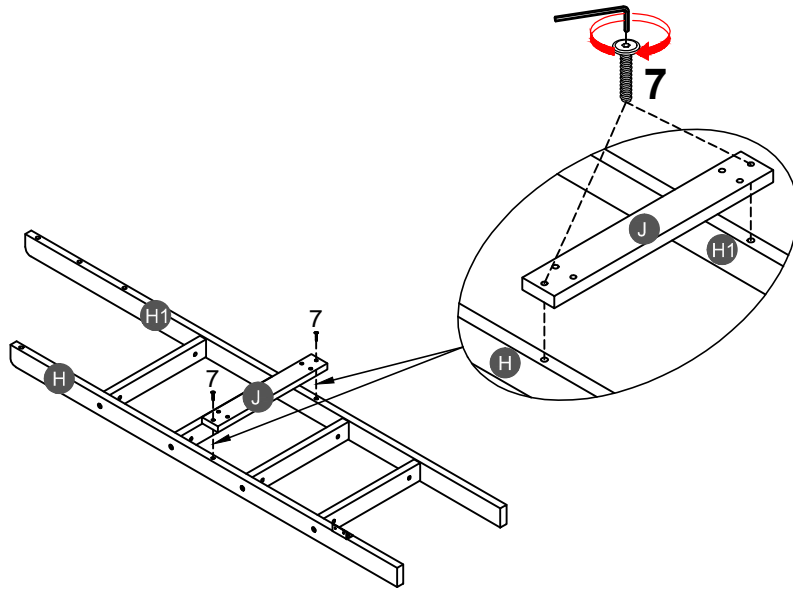
STEP 7:




STEP 8:

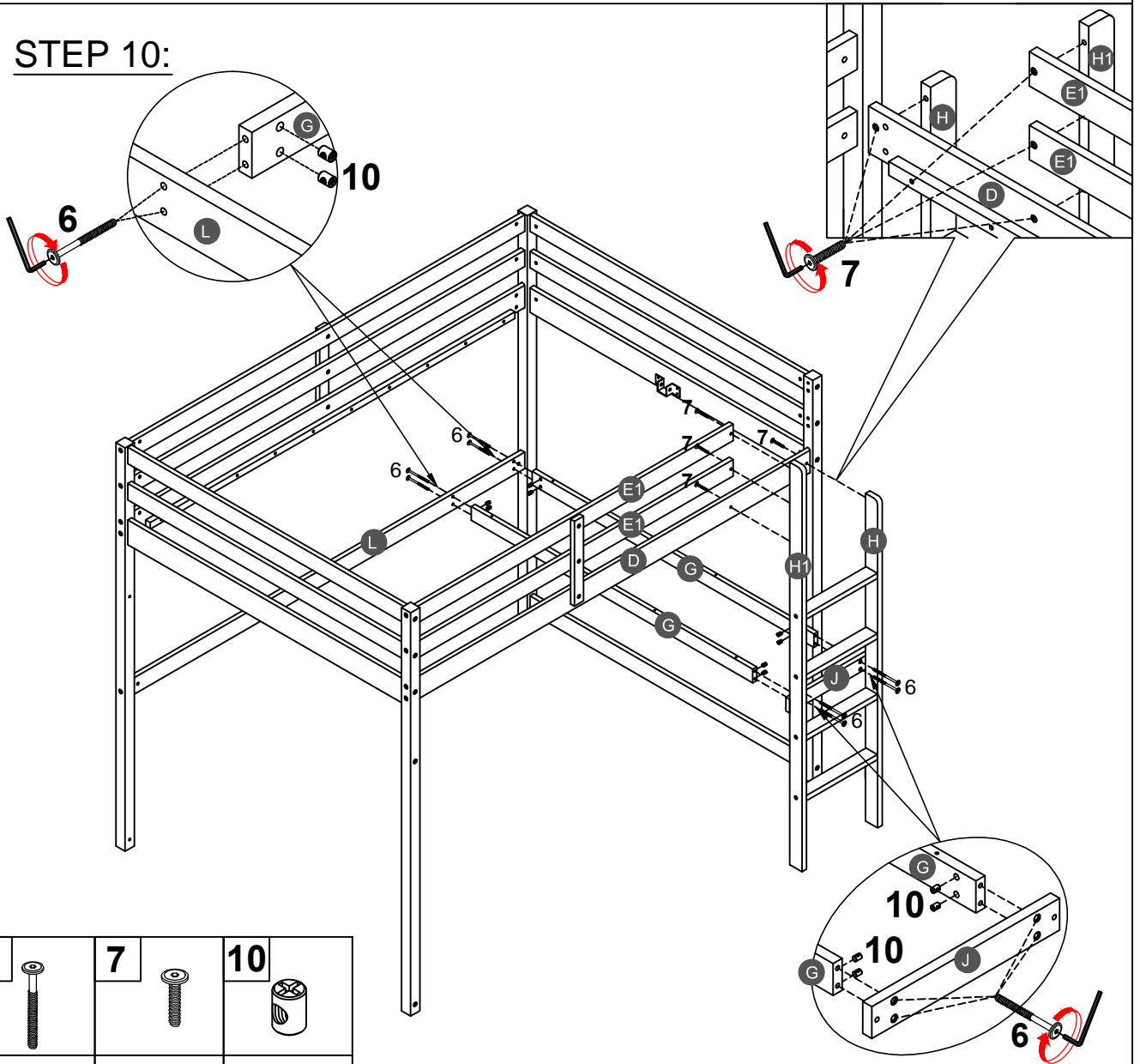





STEP 9:



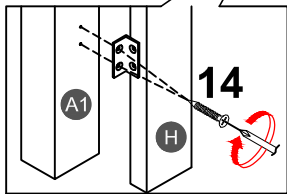
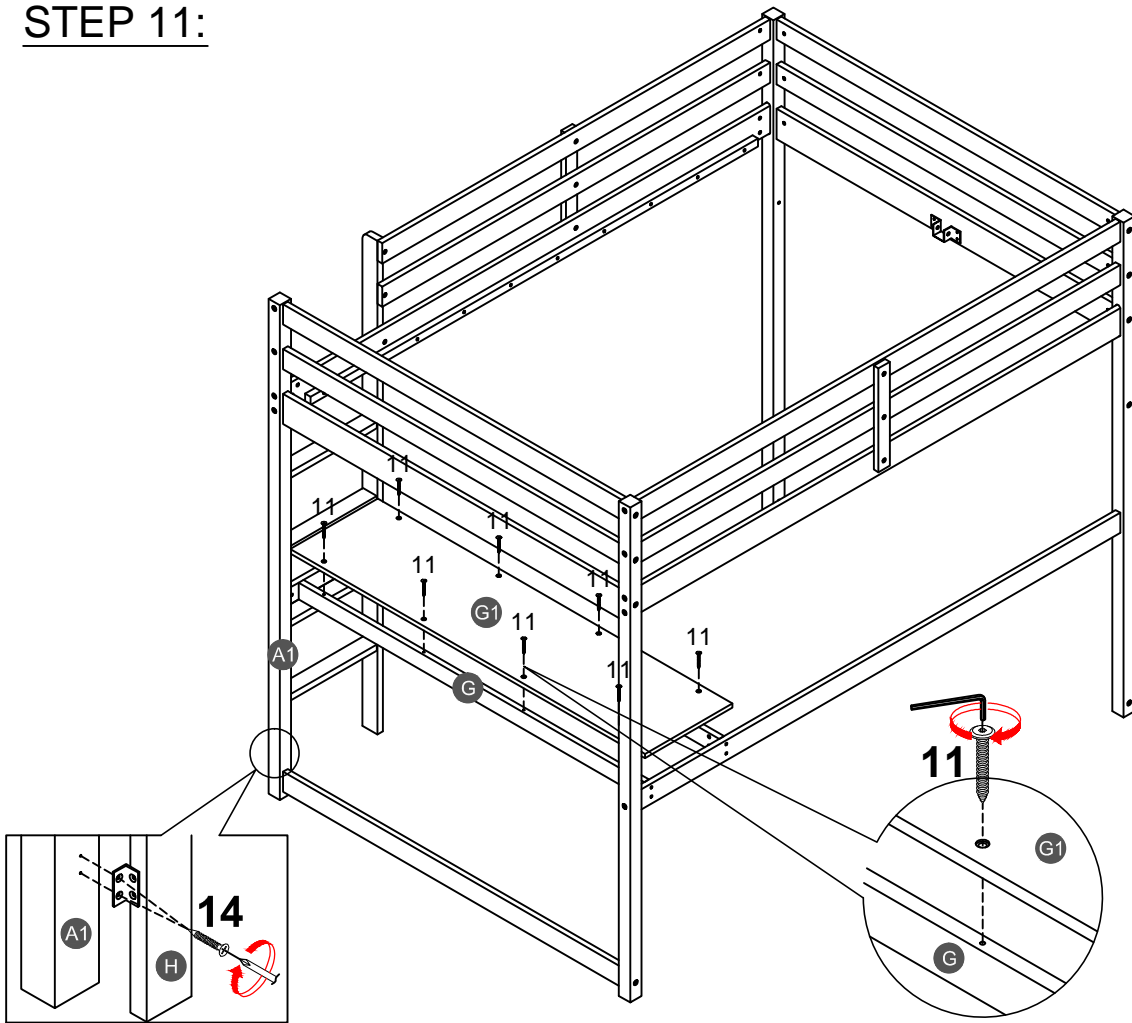
| | |
|-------------|---|
| 7 |  |
| 2PCS | |



STEP 10:



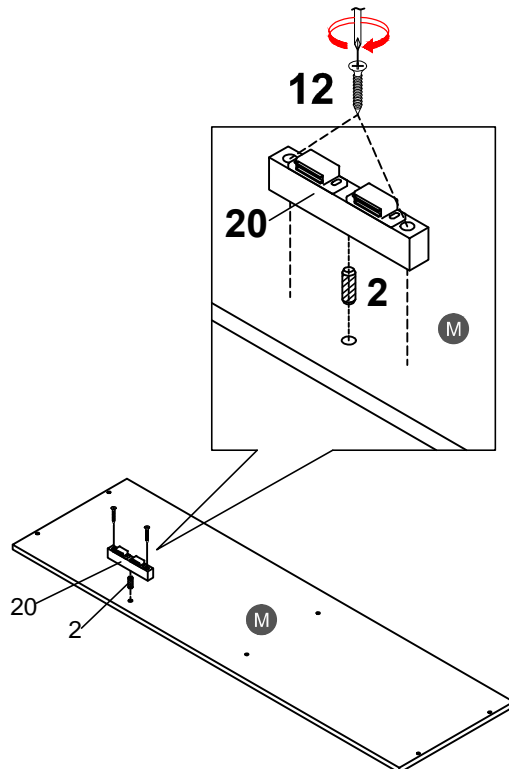
| | | |
|---|---|---|
| 6 | 7 | 10 |
|  |  |  |
| 8PCS | 4PCS | 8PCS |




STEP 11:



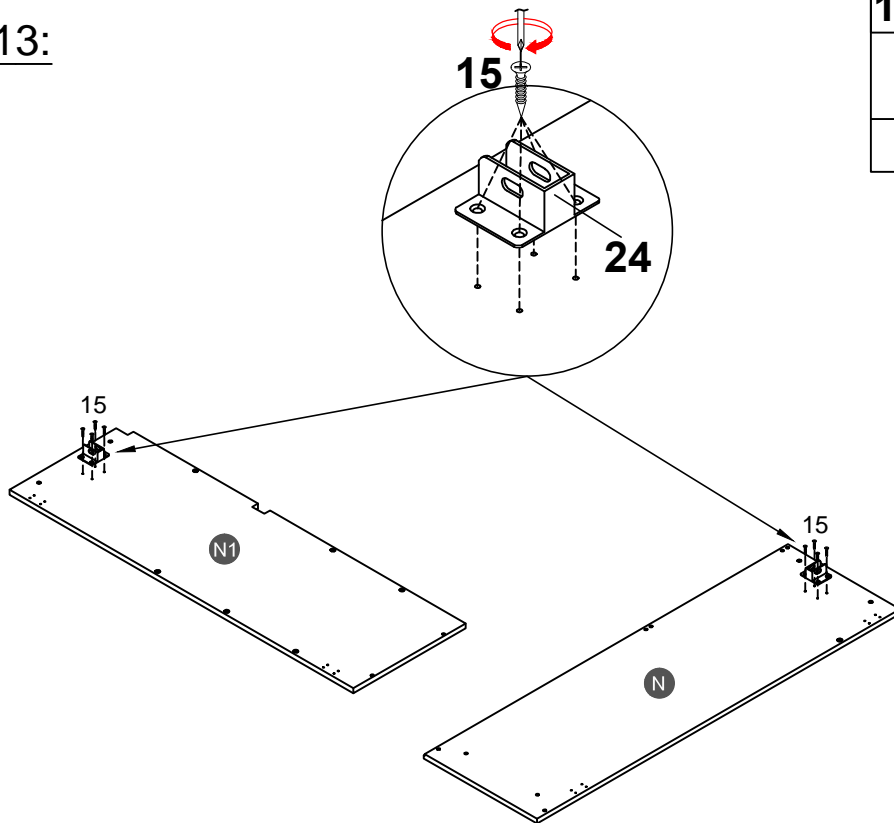
| | |
|-----------|---|
| 11 |  |
| | 8PCS |
| 14 |  |
| | 2PCS |



STEP 12:



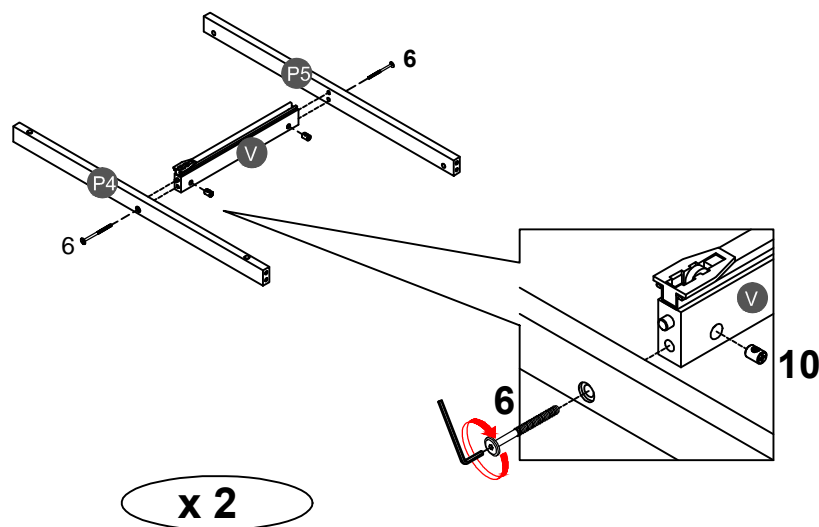
| | | | | | |
|----------|---|-----------|---|-----------|---|
| 2 |  | 12 |  | 20 |  |
| | 1PC | | 2PCS | | 1PC |



STEP 13:



| | | | |
|-------------|---|-------------|---|
| 15 |  | 24 |  |
| 8PCS | | 2PCS | |

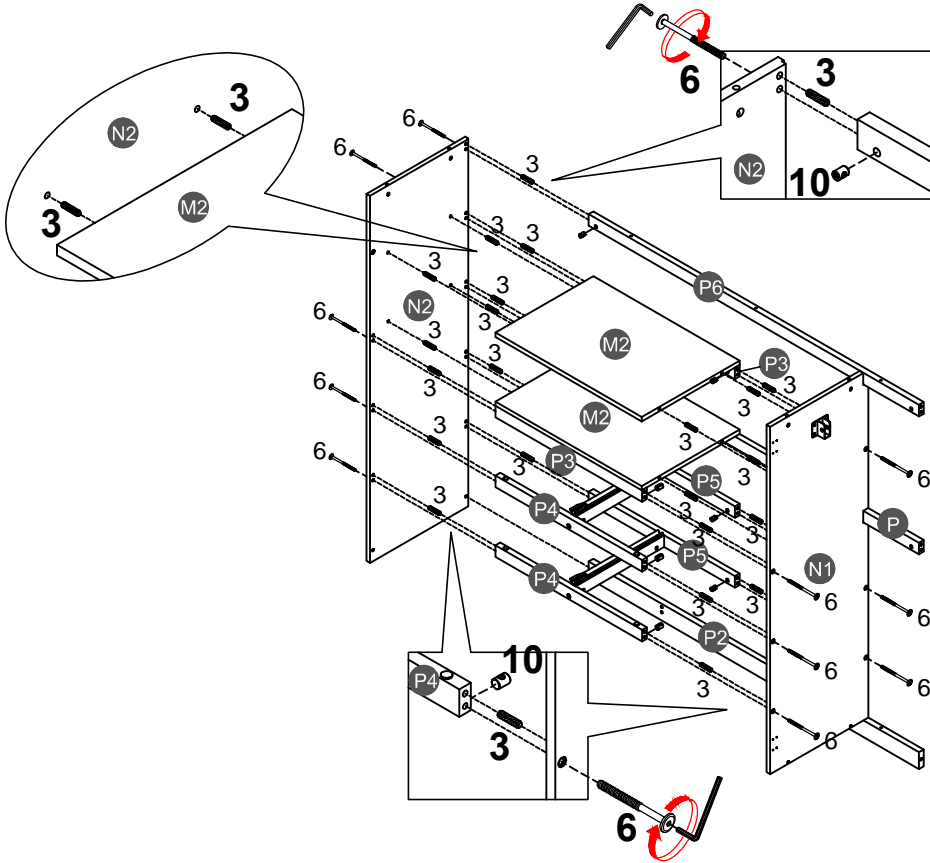
STEP 14:






| | | | |
|-------------|---|-------------|---|
| 6 |  | 10 |  |
| 4PCS | | 4PCS | |

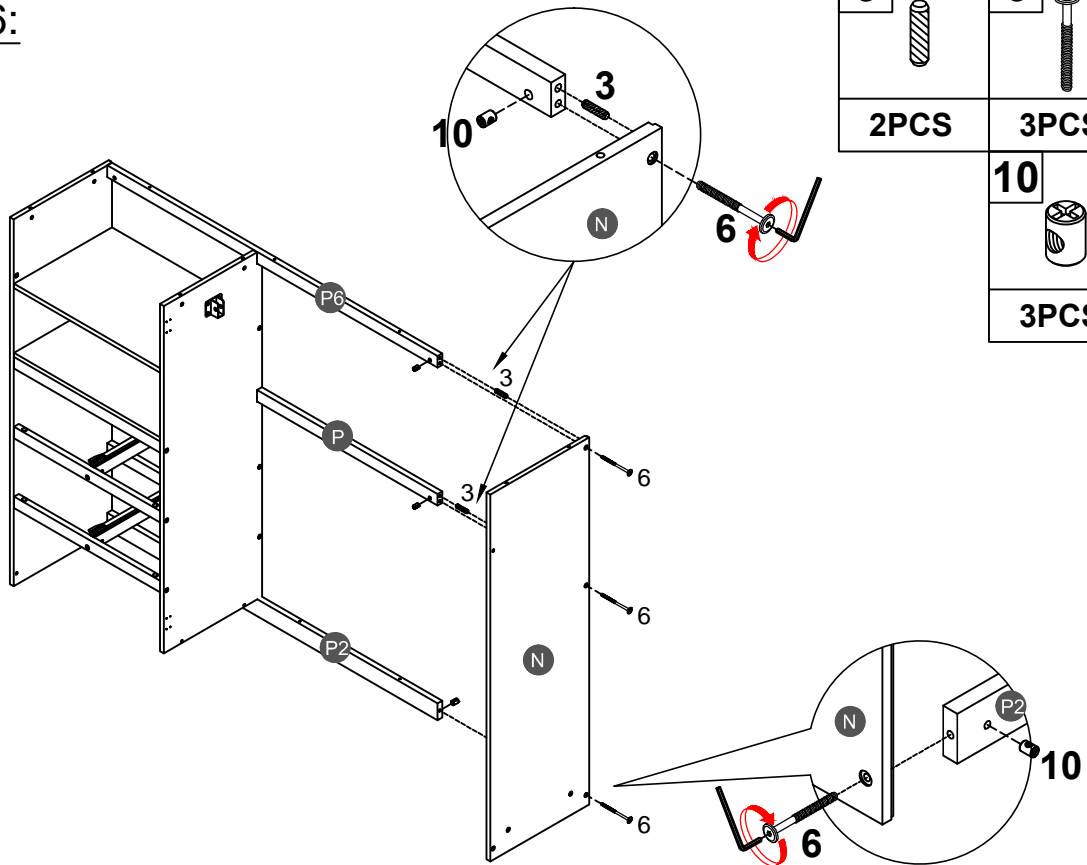
x 2




STEP 15:





| | | | |
|--------------|---|--------------|---|
| 3 |  | 6 |  |
| 22PCS | | 15PCS | |
| | | 10 |  |
| | | 15PCS | |

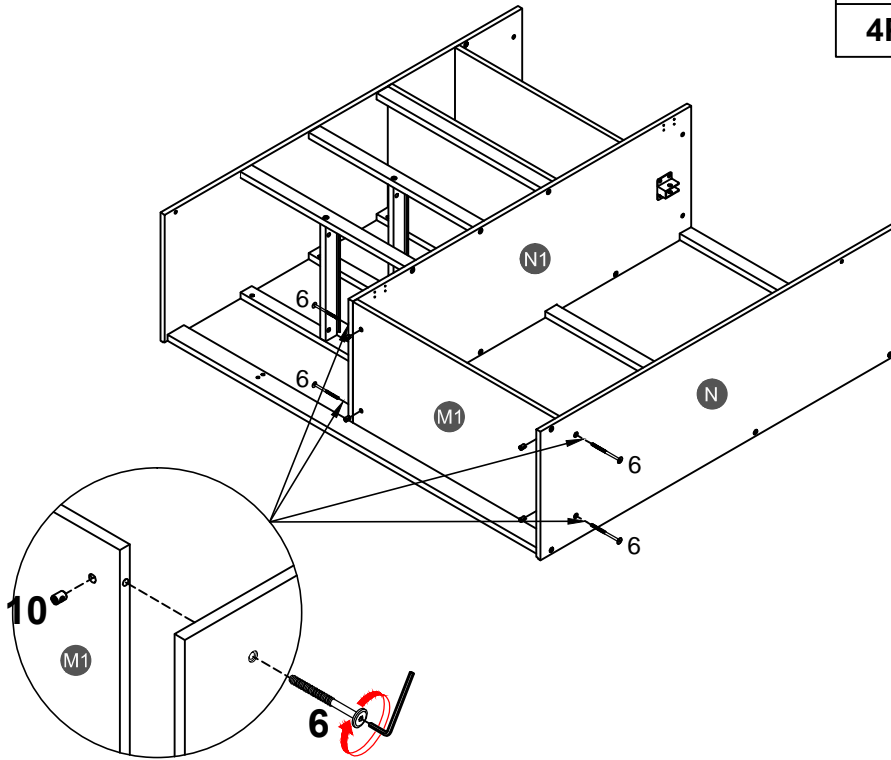
STEP 16:




| | | | |
|-------------|---|-------------|---|
| 3 |  | 6 |  |
| 2PCS | | 3PCS | |
| | | 10 |  |
| | | 3PCS | |

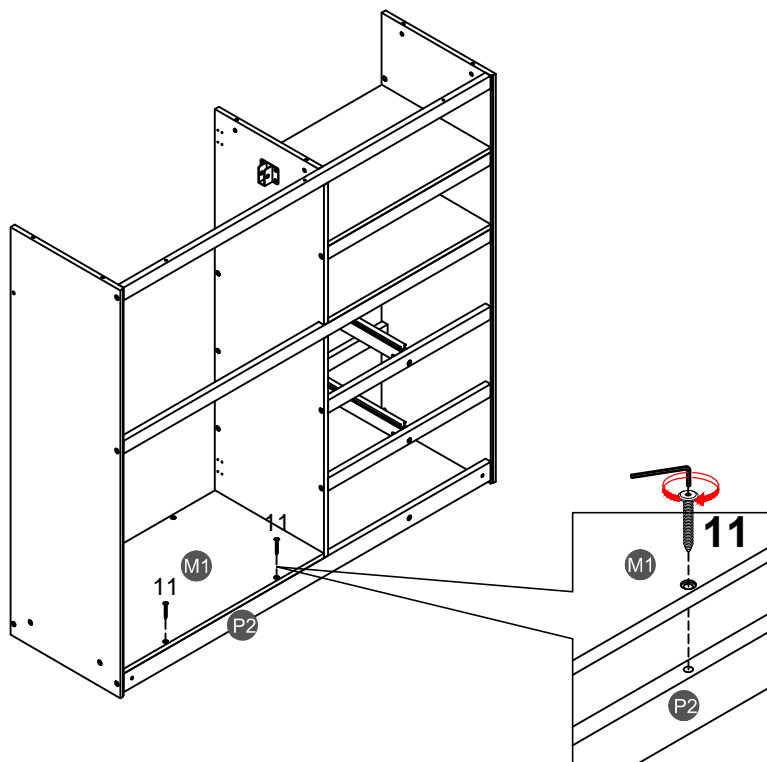
STEP 17:

| | | | |
|-------------|---|-------------|---|
| 6 |  | 10 |  |
| 4PCS | | 4PCS | |

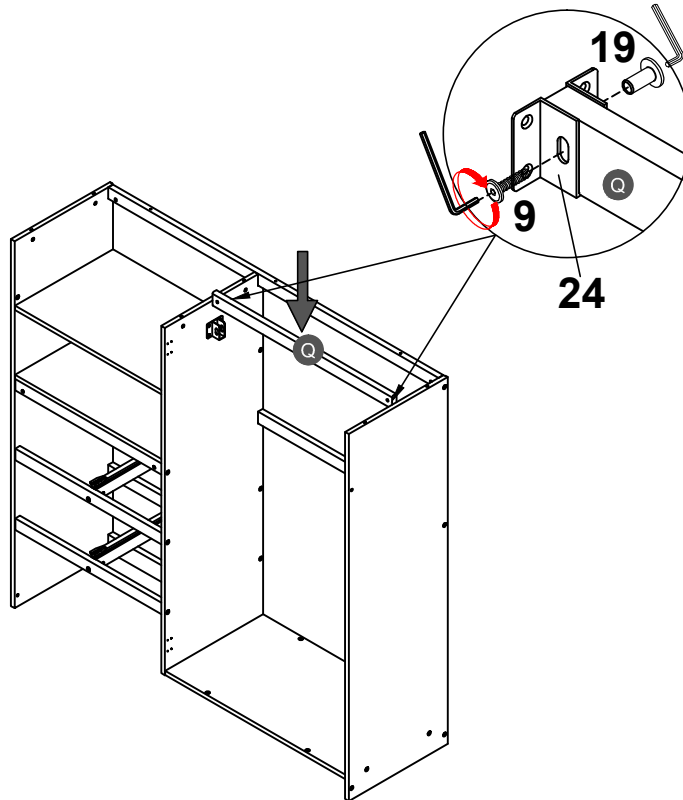




STEP 18:

| | |
|-------------|---|
| 11 |  |
| 2PCS | |

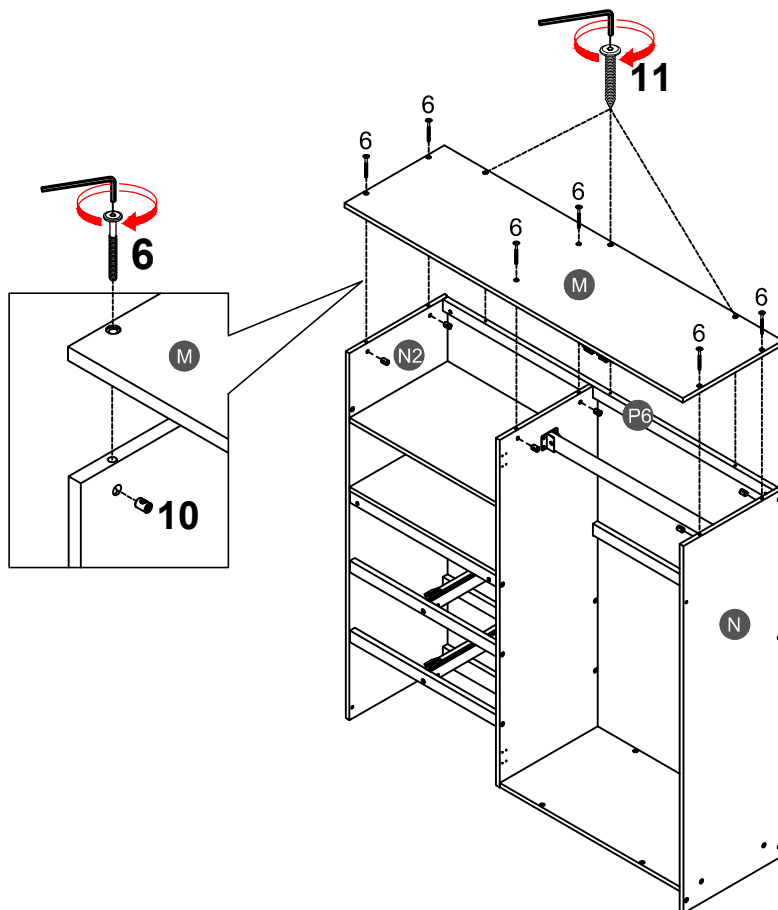





STEP 19:



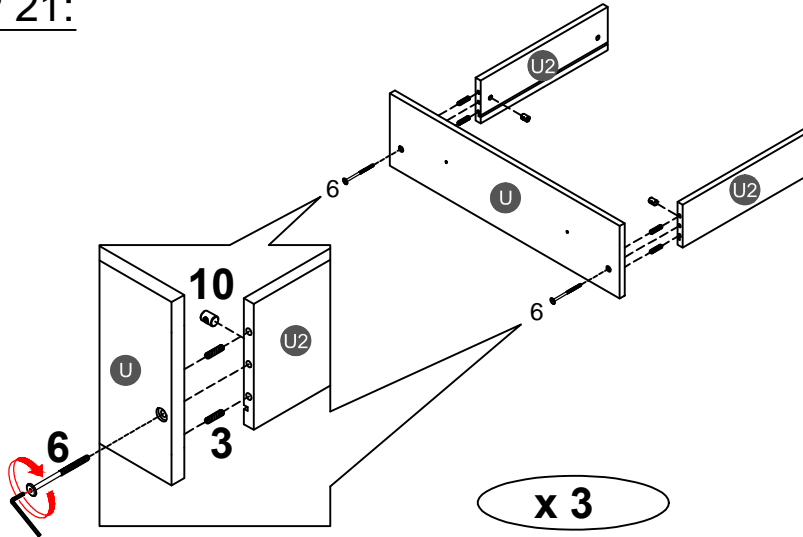
| | | | |
|-------------|---|-------------|---|
| 9 |  | 19 |  |
| 2PCS | | 2PCS | |




STEP 20:



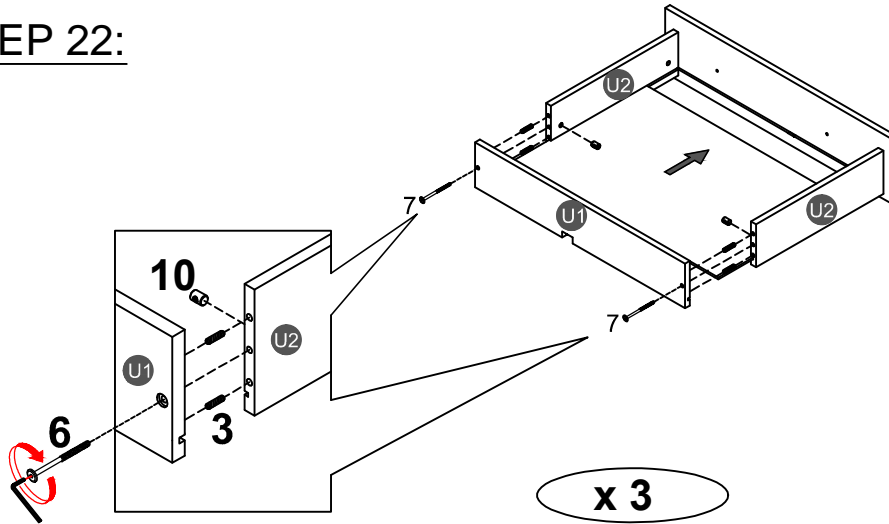
| | | | |
|-------------|---|-------------|---|
| 6 |  | 10 |  |
| 6PCS | | 6PCS | |
| | | 11 |  |
| | | 3PCS | |




STEP 21:



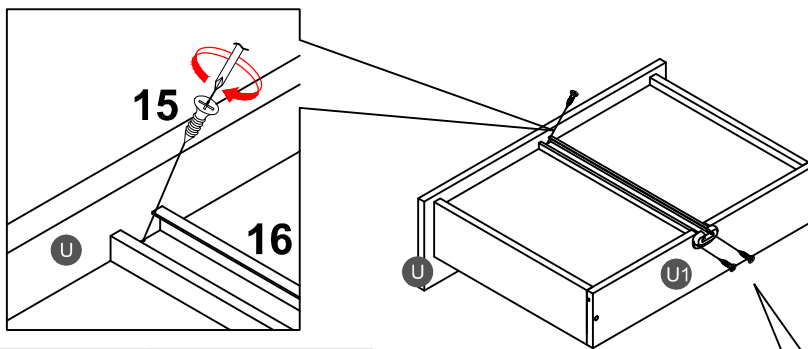
| | | | |
|--------------|---|-------------|---|
| 3 |  | 6 |  |
| 12PCS | | 6PCS | |
| | | 10 |  |
| | | 6PCS | |



STEP 22:

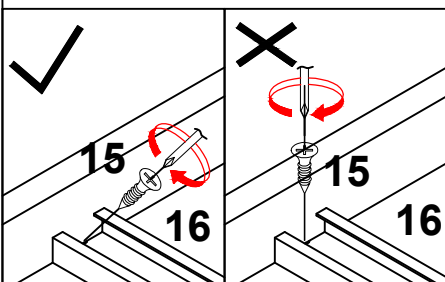


| | | | |
|--------------|---|-------------|---|
| 3 |  | 6 |  |
| 12PCS | | 6PCS | |
| | | 10 |  |
| | | 6PCS | |

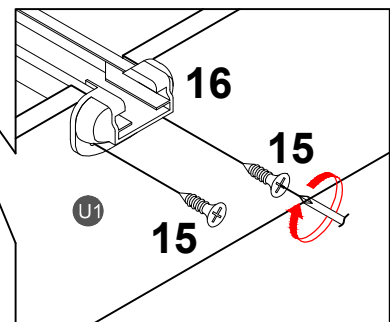
STEP 23:





| | | | |
|-------------|---|-------------|---|
| 15 |  | 16 |  |
| 9PCS | | 3PCS | |

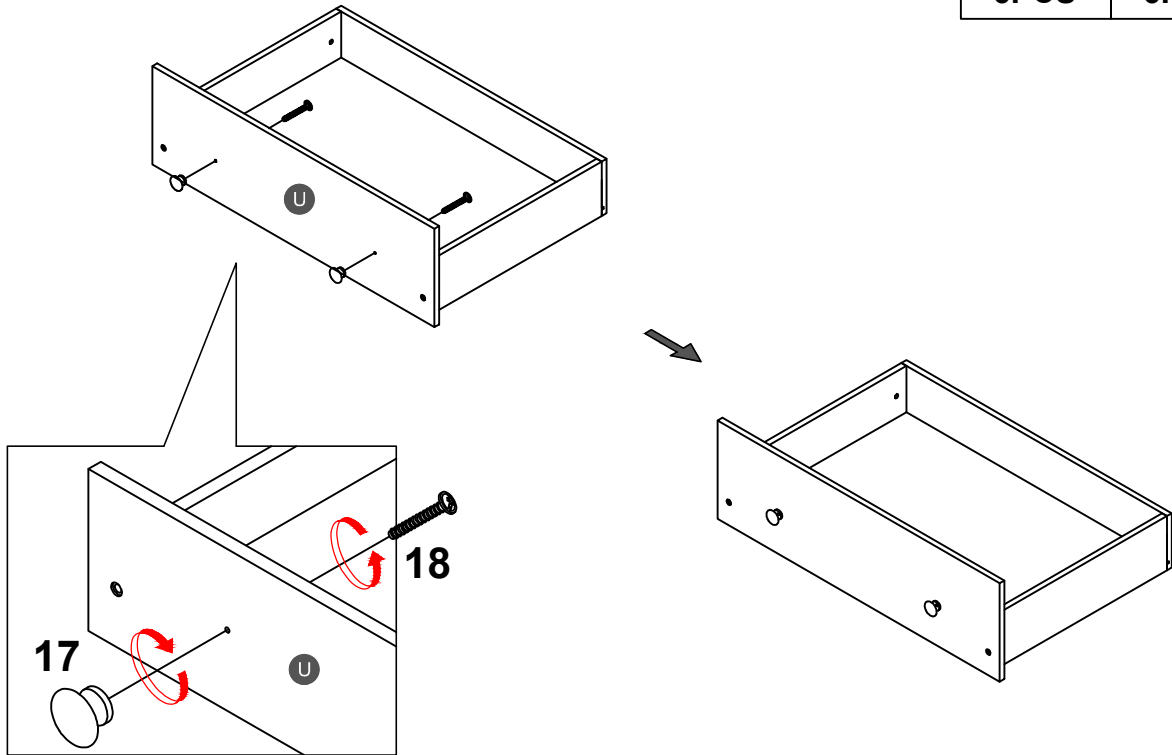


x 3





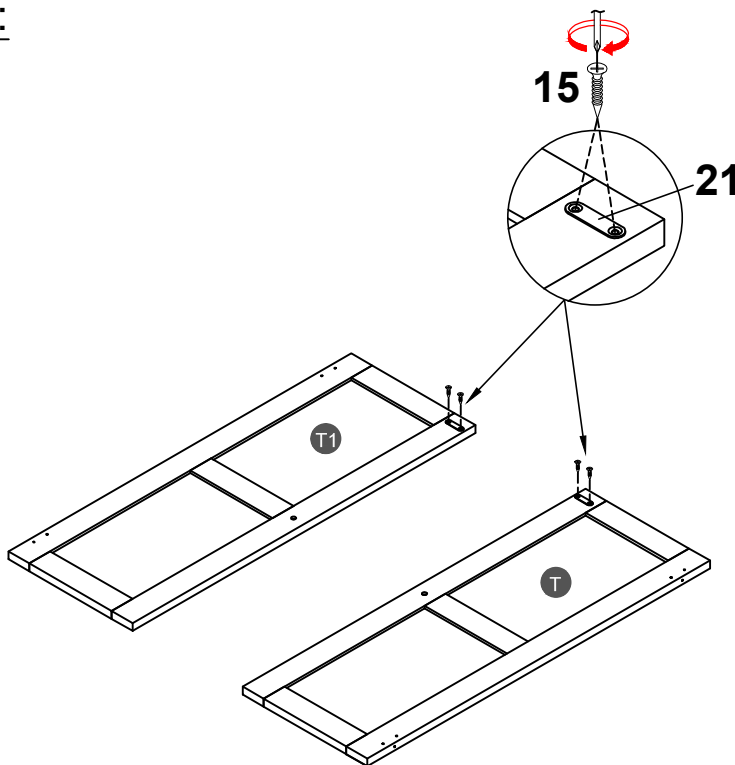
STEP 24:

| | |
|---|---|
| 17 | 18 |
|  |  |
| 6PCS | 6PCS |

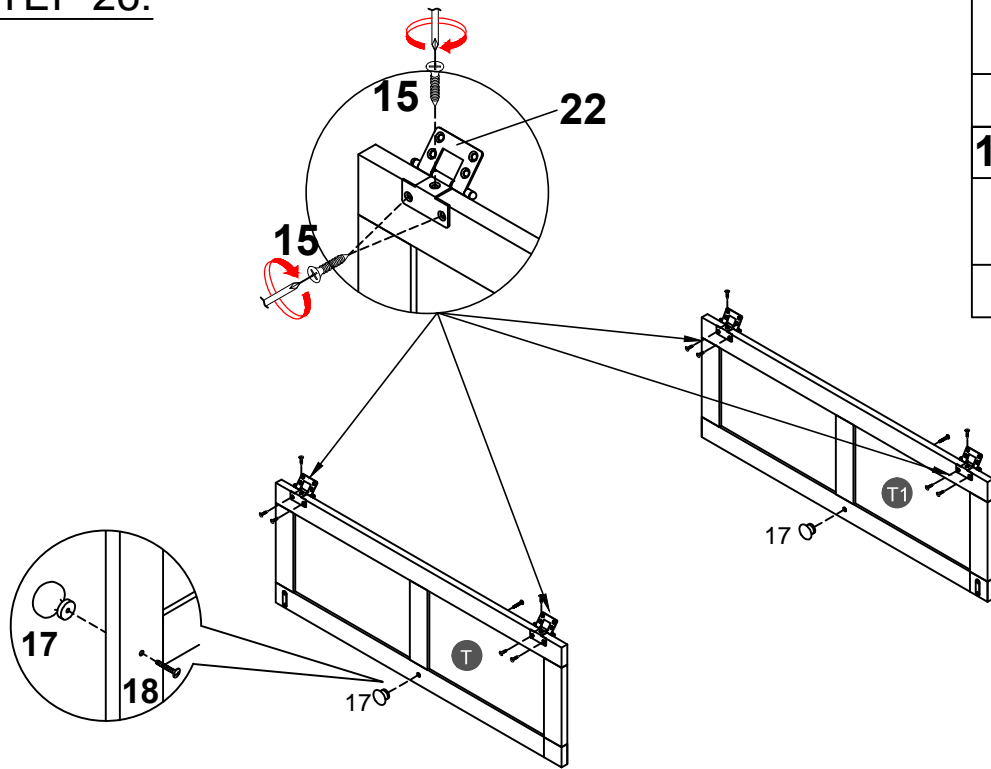



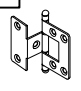


STEP 25:

| | |
|---|---|
| 21 | 15 |
|  |  |
| 2PCS | 4PCS |

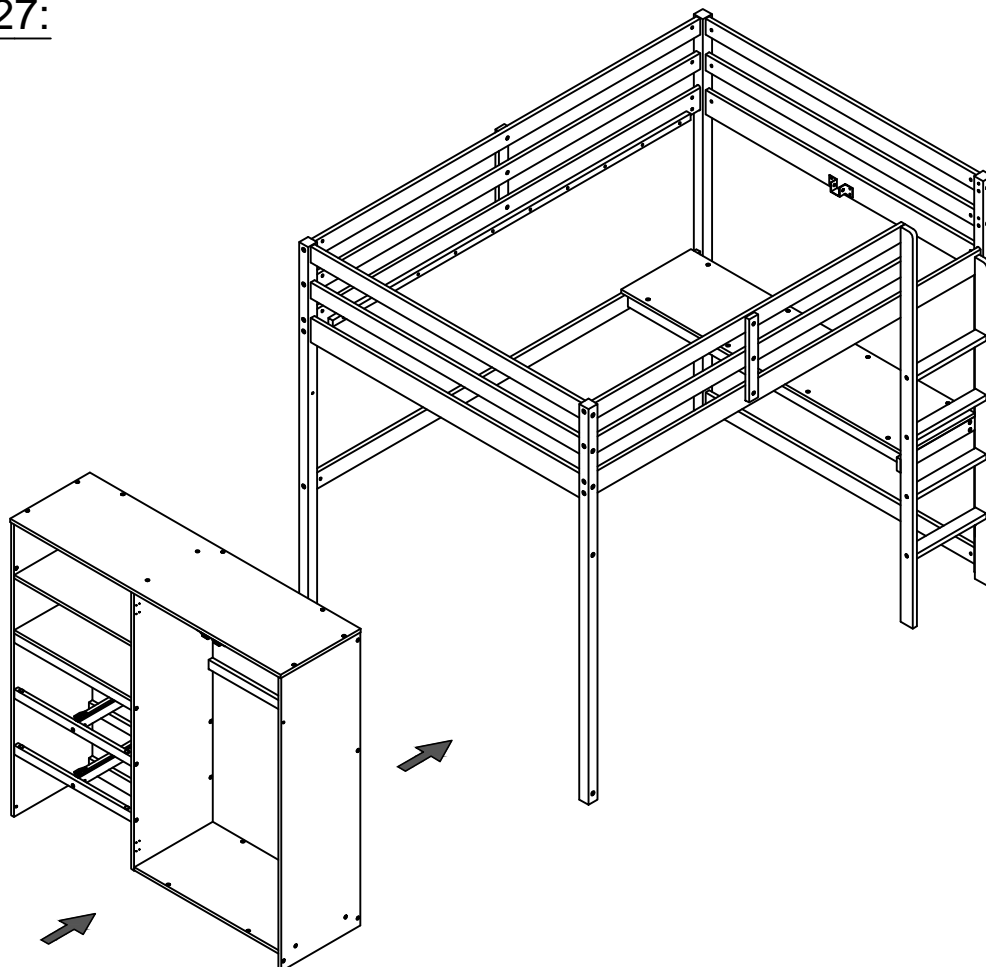


STEP 26:

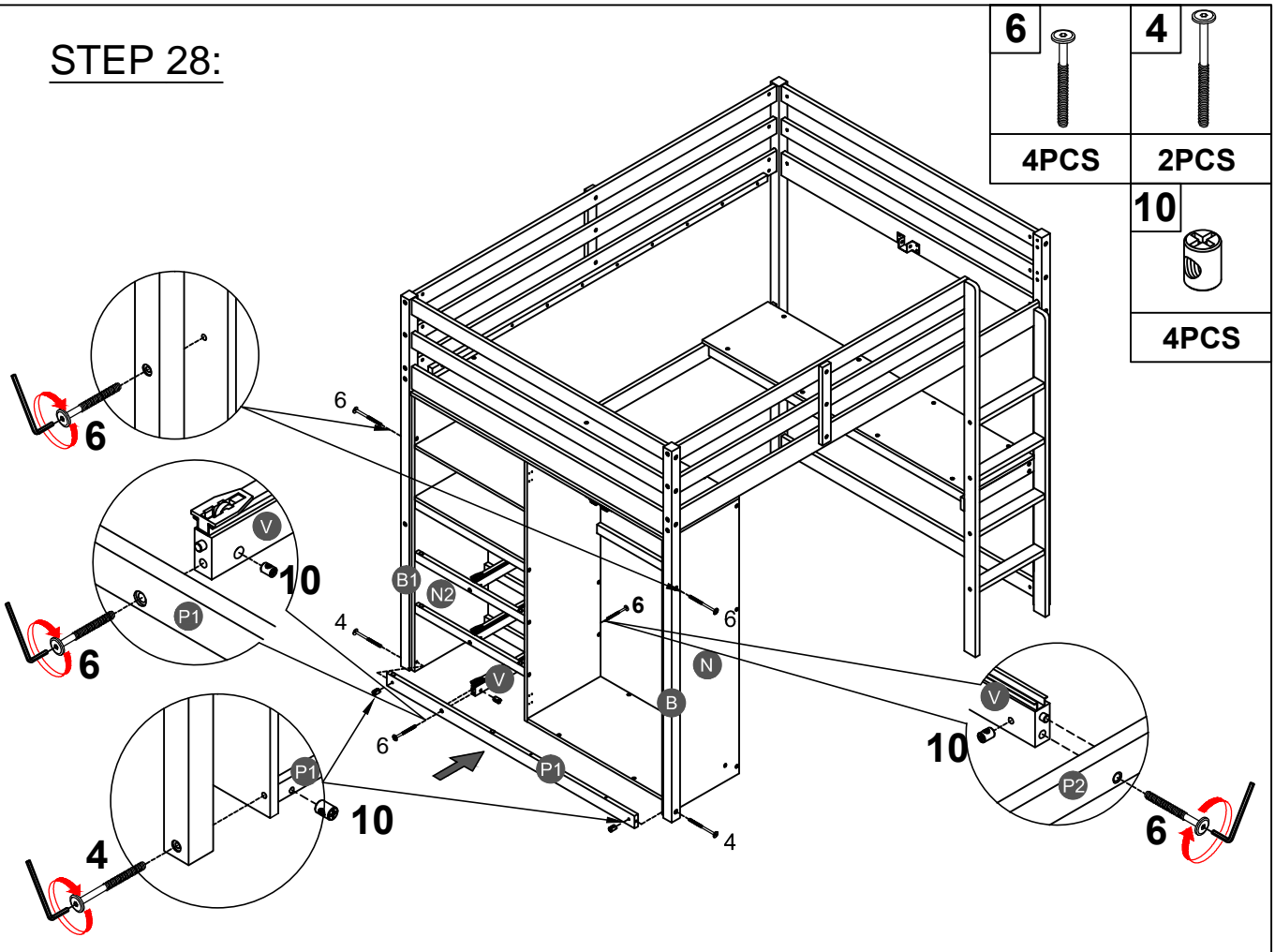


| | | | |
|--------------|---|-------------|---|
| 15 |  | 22 |  |
| 12PCS | | 4PCS | |
| 17 |  | 18 |  |
| 2PCS | | 2PCS | |

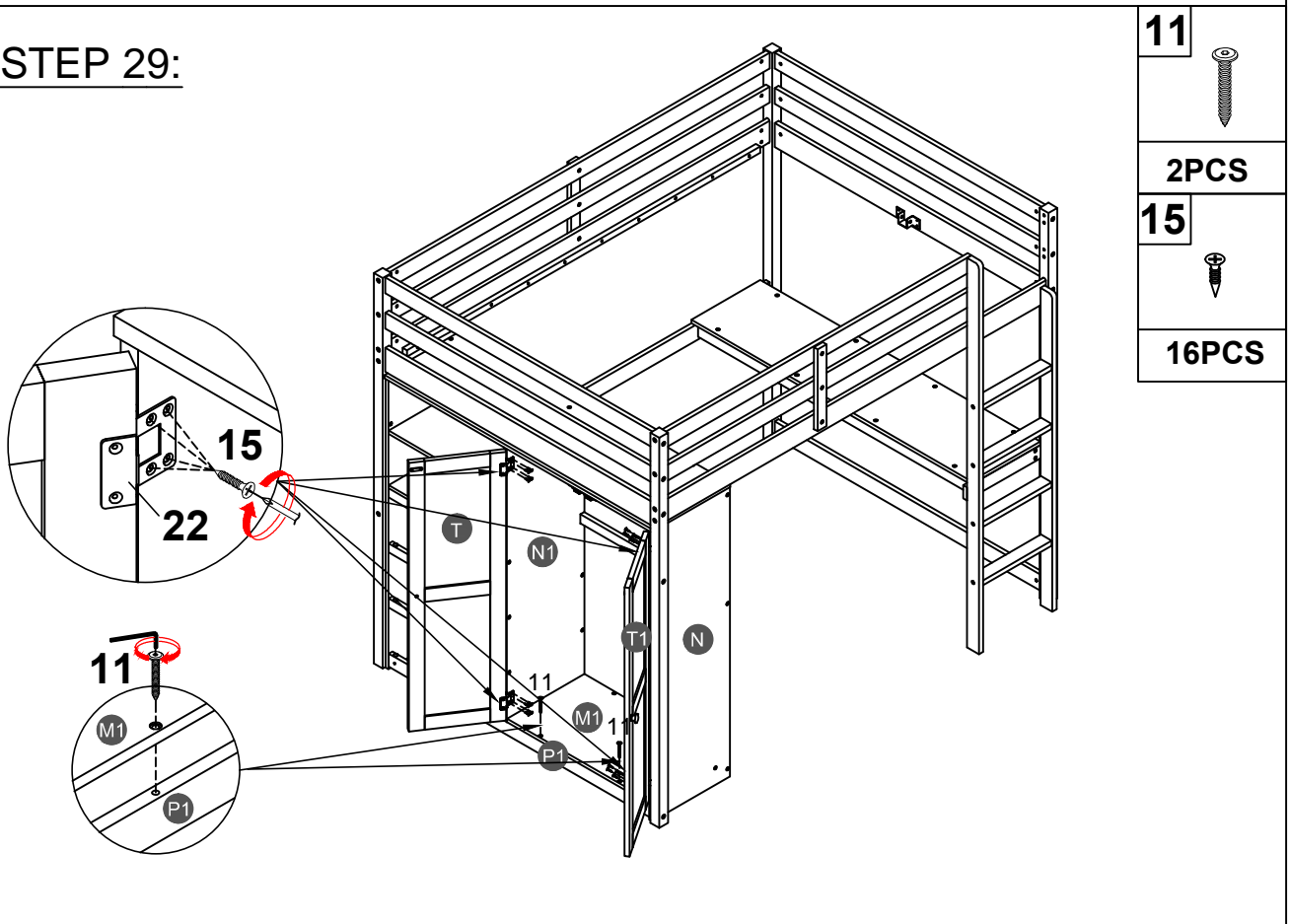
STEP 27:



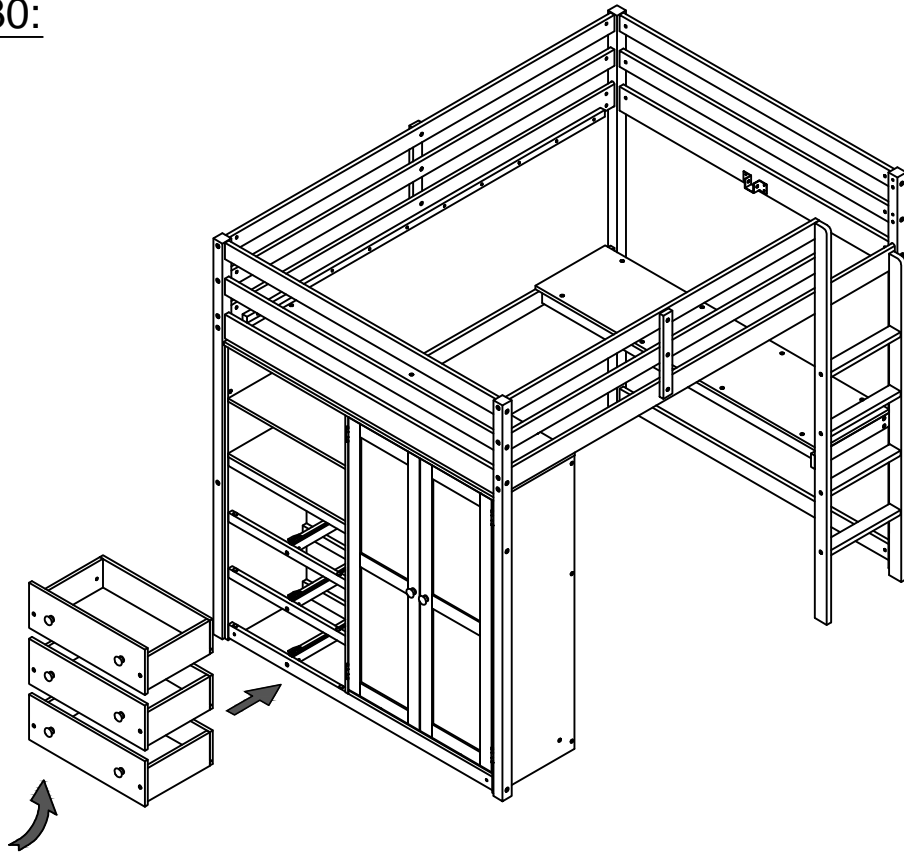
STEP 28:



STEP 29:



STEP 30:

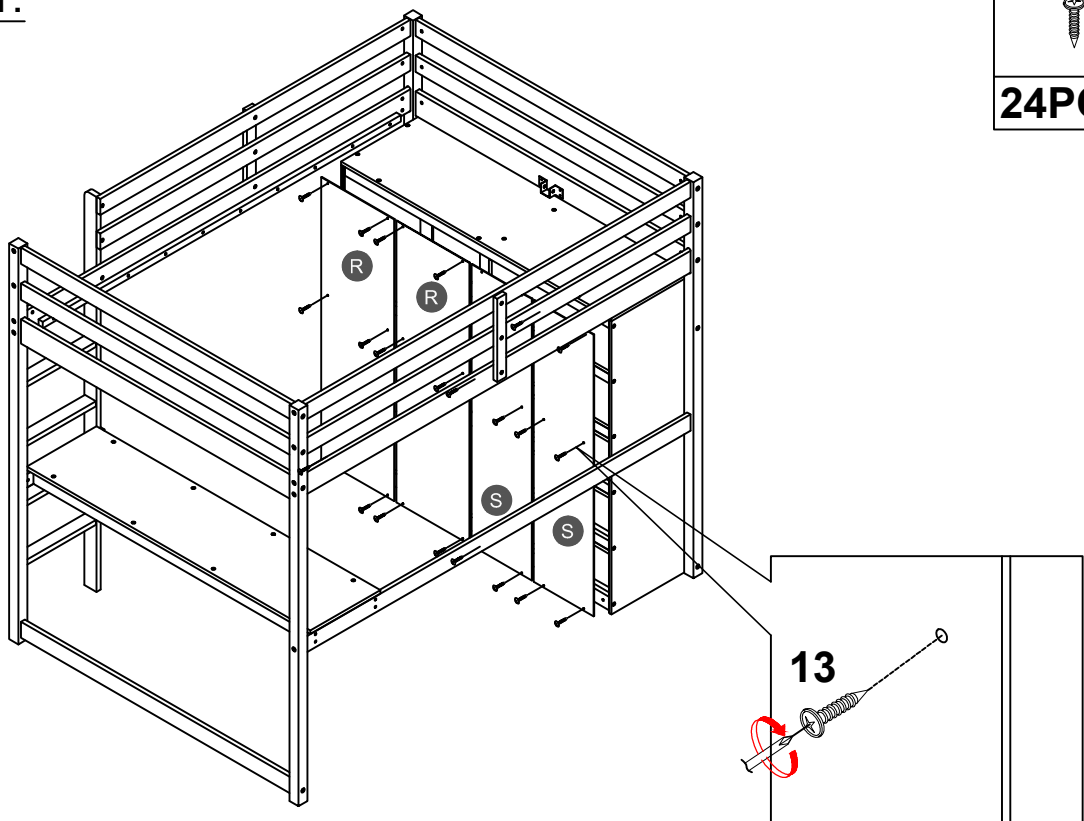


STEP 31:

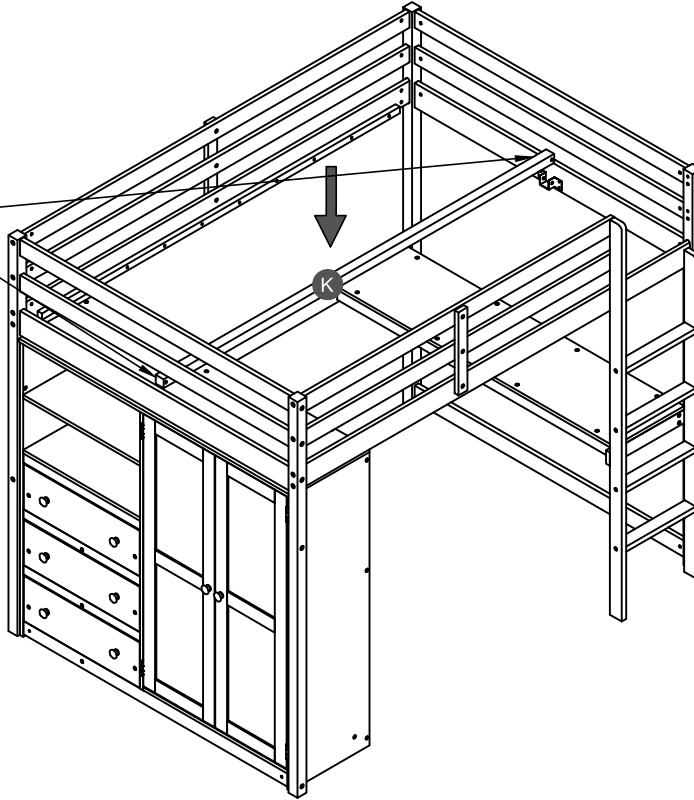
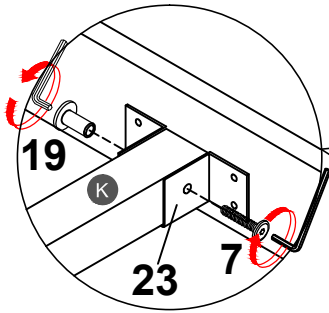
13





24PCS




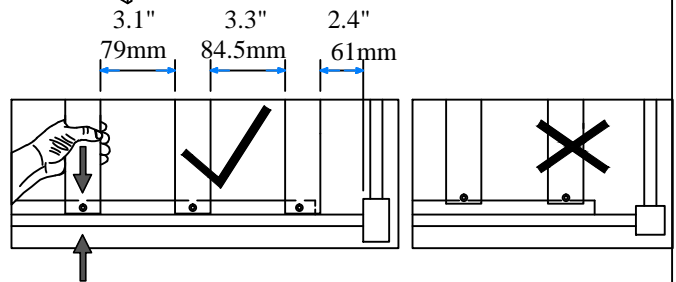
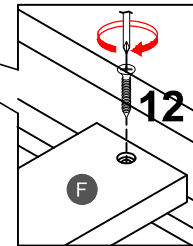
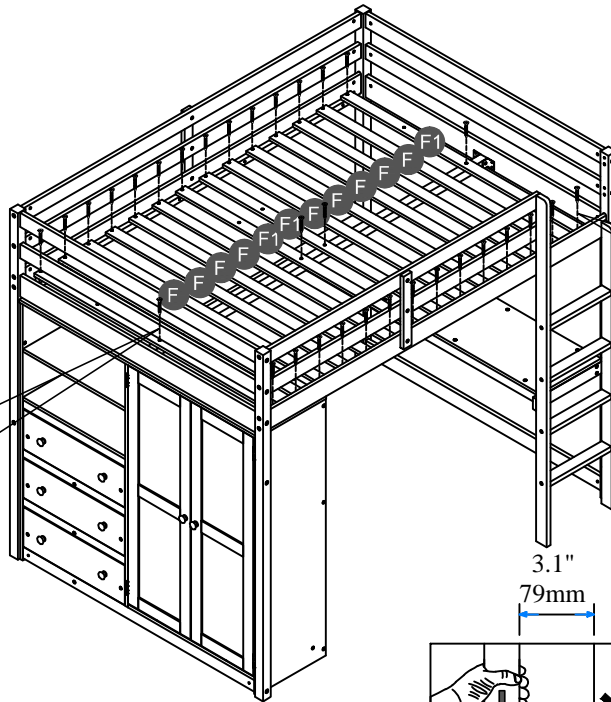
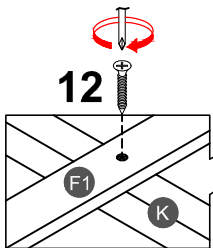
STEP 32:



| | | | |
|-------------|---|-------------|---|
| 7 |  | 19 |  |
| 2PCS | | 2PCS | |

STEP 33:

| | |
|--------------|---|
| 12 |  |
| 32PCS | |



NOTE: Please make sure the bed slats close to the side rail before locking the screws to avoid breakage. This step is required for both the left and right sides. Moreover, please do not lock the screws of the bed slats at the outermost edge to avoid damaging.

Make sure to tighten all the screws of the bed.