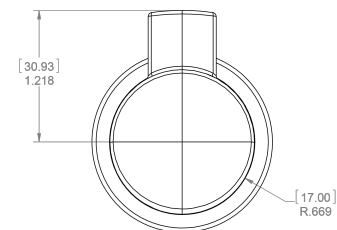
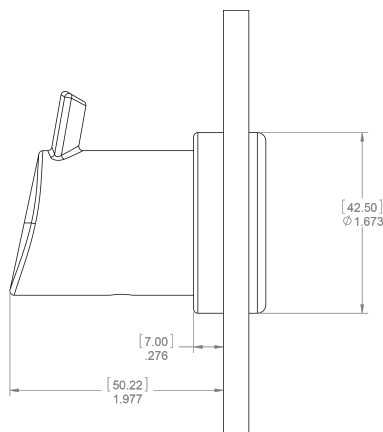
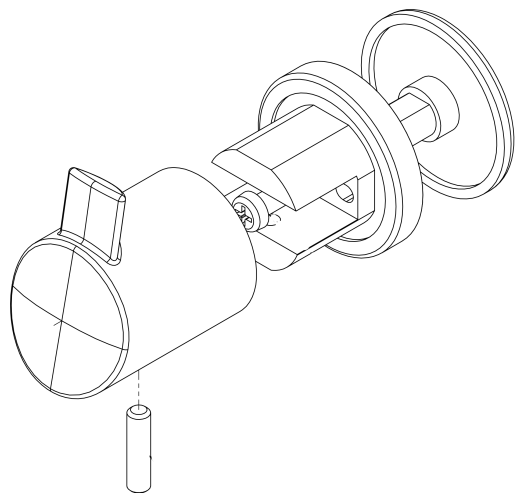


### GLASS MOUNT ROBE HOOK



#### Installation:

Insert front and back through a ½" hole in glass. Attach post over bracket tighten M5\*16 screw firmly, attach cap and tighten with M5\*25 set screw. **(Do not over tighten)**

#### Materials:

- Zinc Die Cast
- 1 - M5\*16 screw
- 1 - M5\*25 set screw



#### Limited Warranty

Preferred Bath Accessories LLC. warrants to the purchaser that the product will be free from defects in material and workmanship. If the product does not comply with this warranty, Preferred Bath Accessories LLC. will repair or replace the product or, at Preferred Bath Accessories LLC.'S option, refund the purchase price. The limited warranty period is for the lifetime of the product. Limitations on the Warranty: The warranty does not cover, normal wear and tear, product abuse, neglect, improper installation or maintenance. Purchaser Requirements: If this product does not meet Preferred Bath Accessories LLC.'s warranty, return the product (postage prepaid) to the place of purchase with proof of purchase and a written claim briefly describing the defect. You may be required to provide other information or evidence of the defect.