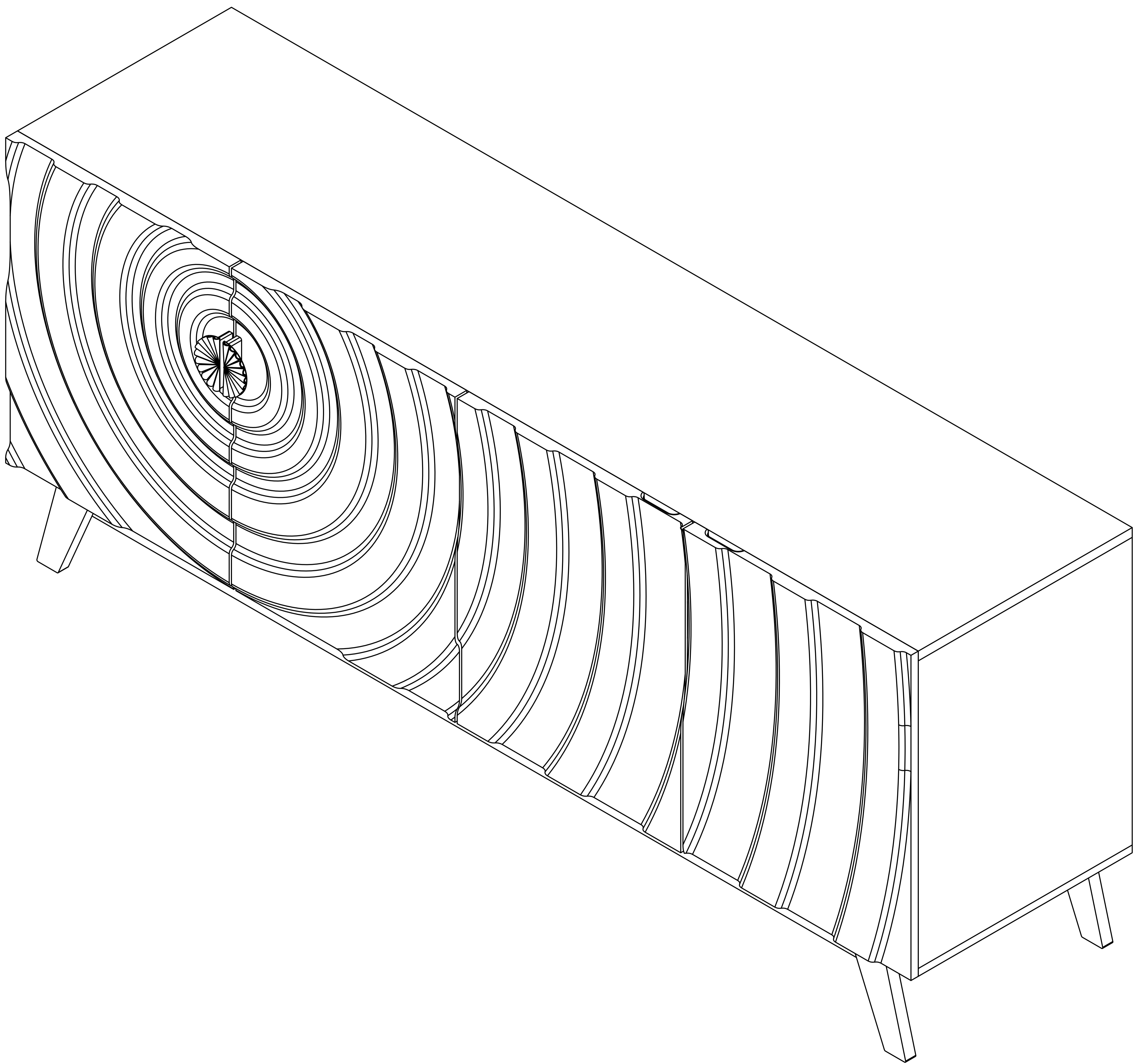
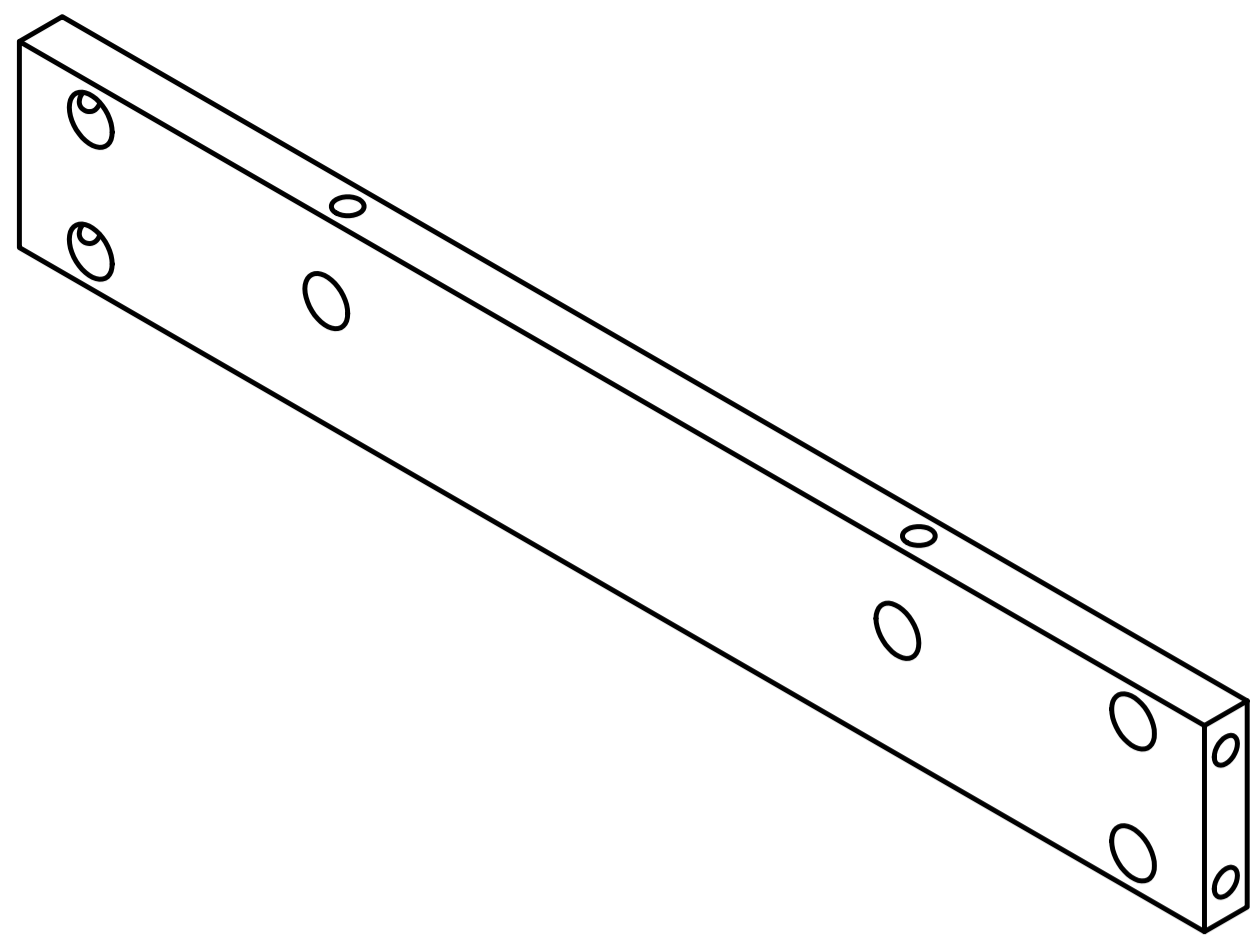
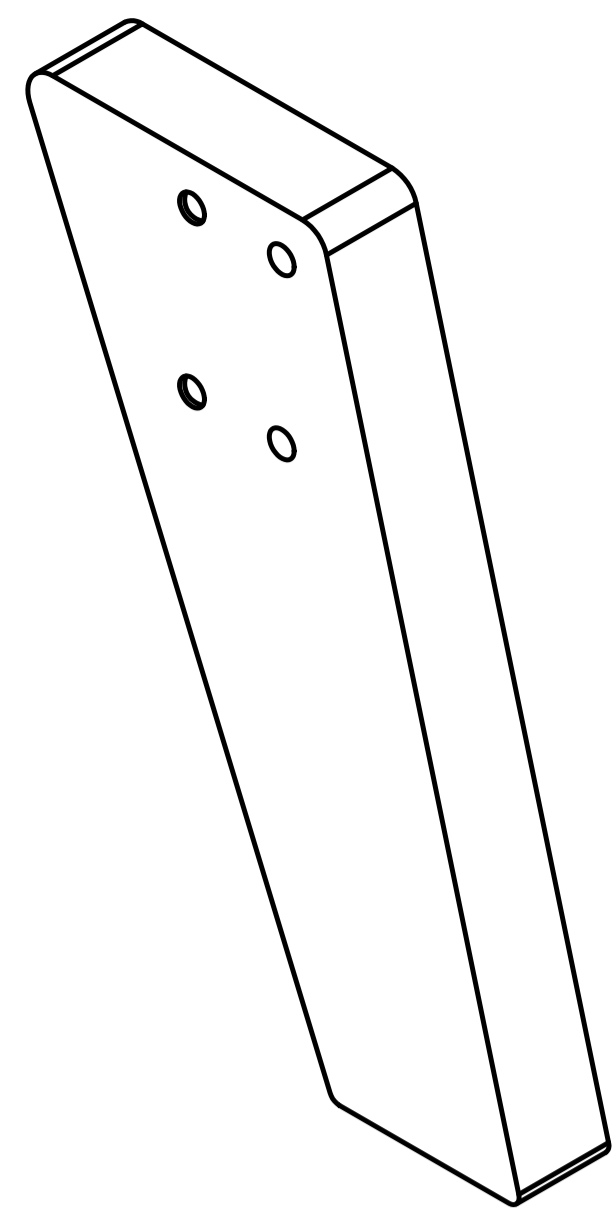


# Product Installation Instructions

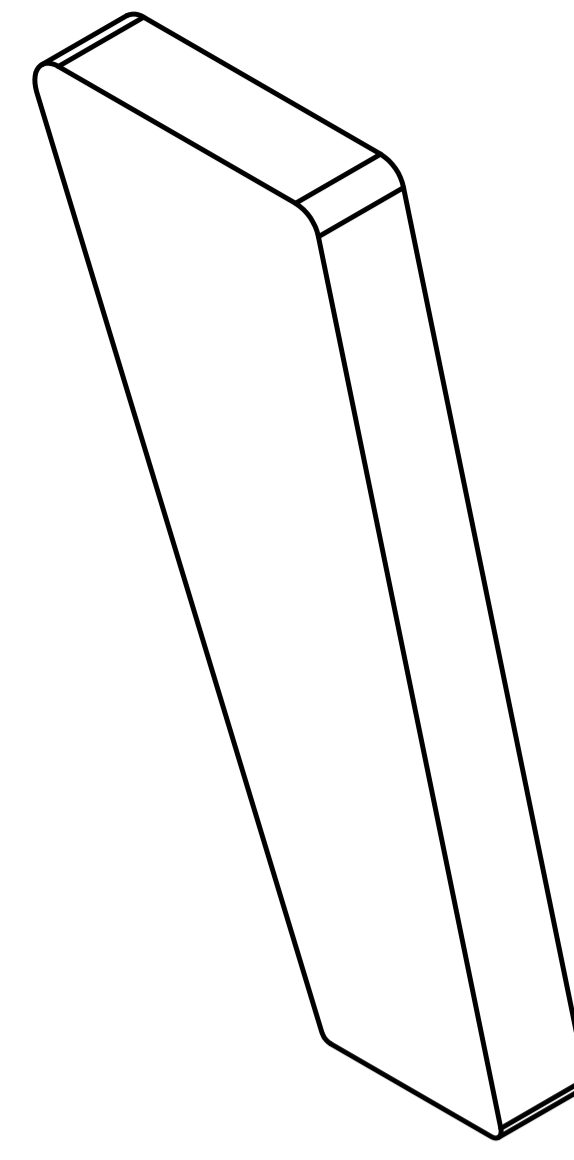




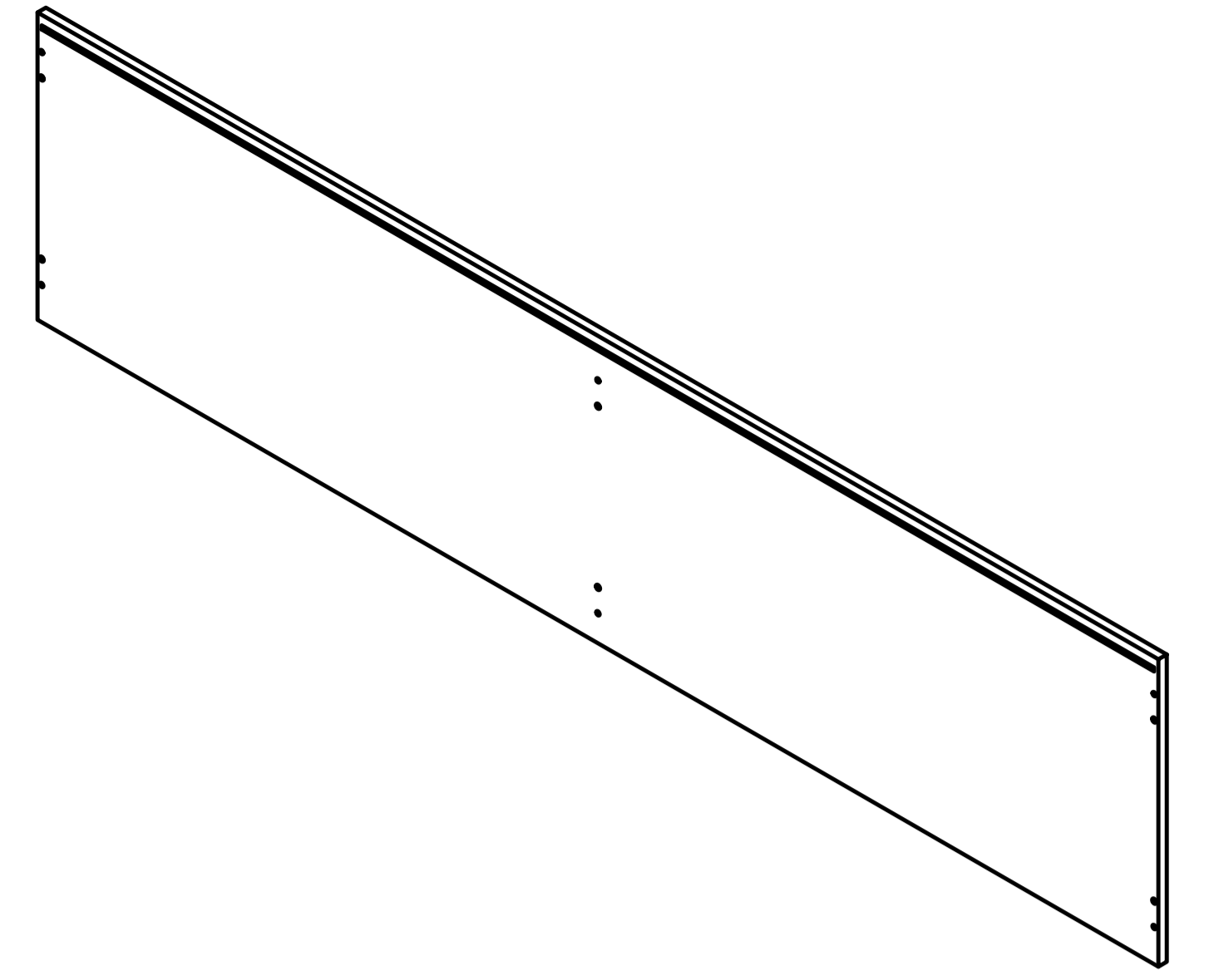
**A** x2



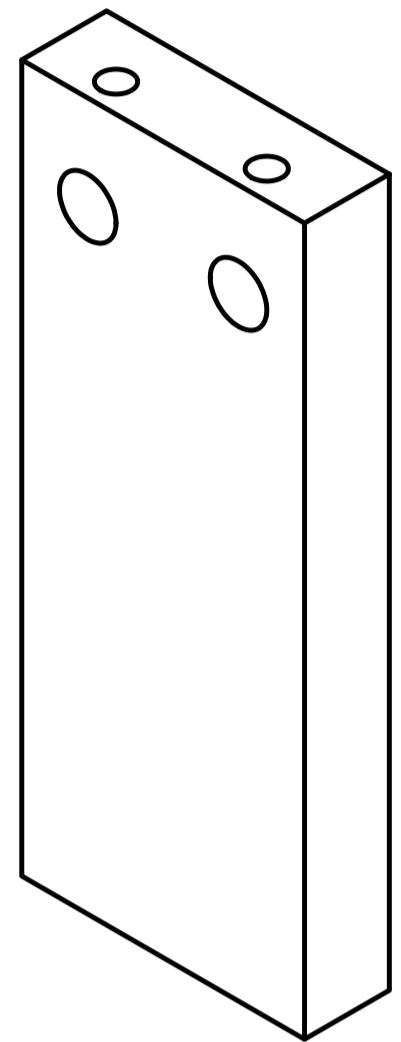
**B** x2



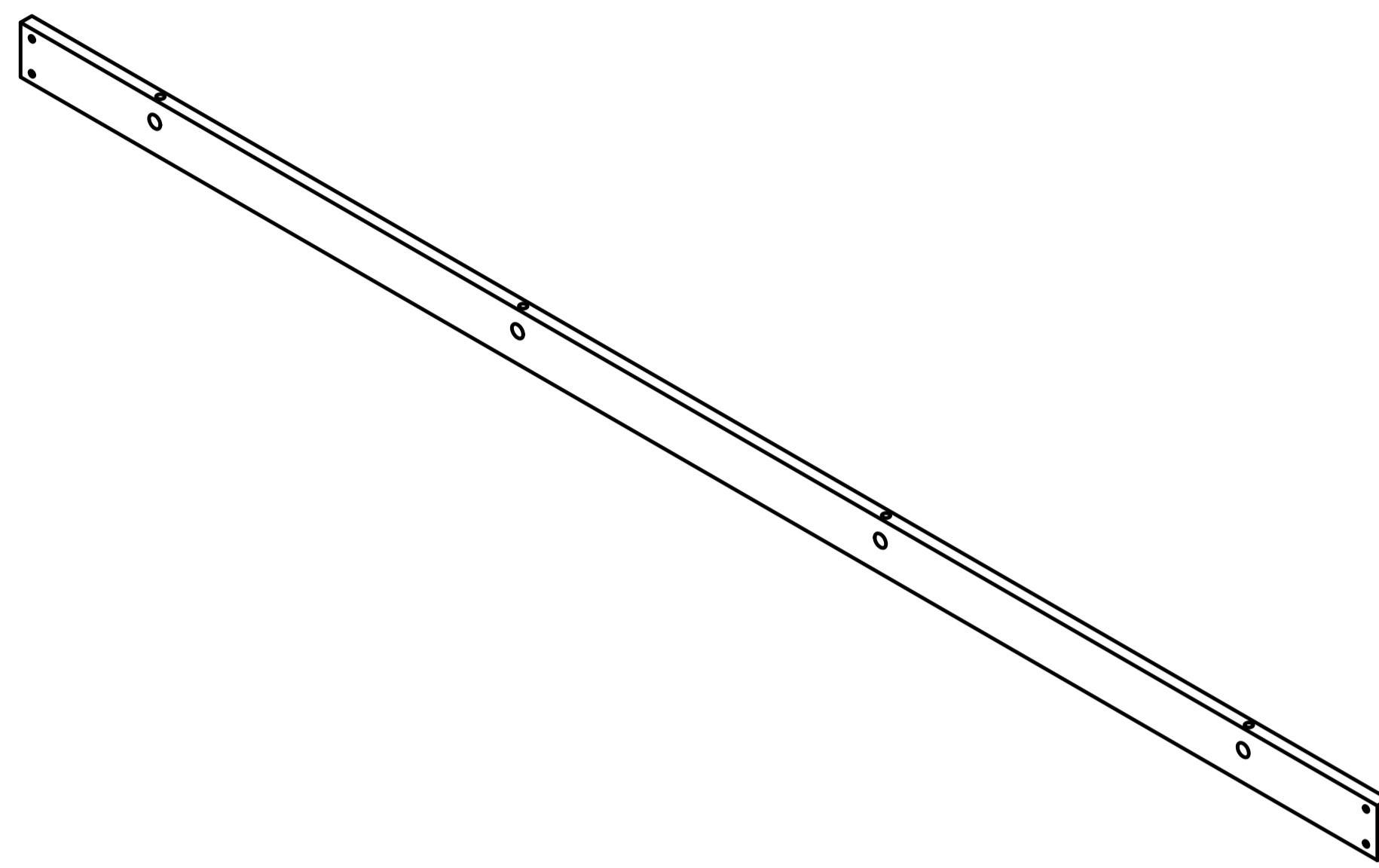
**C** x2



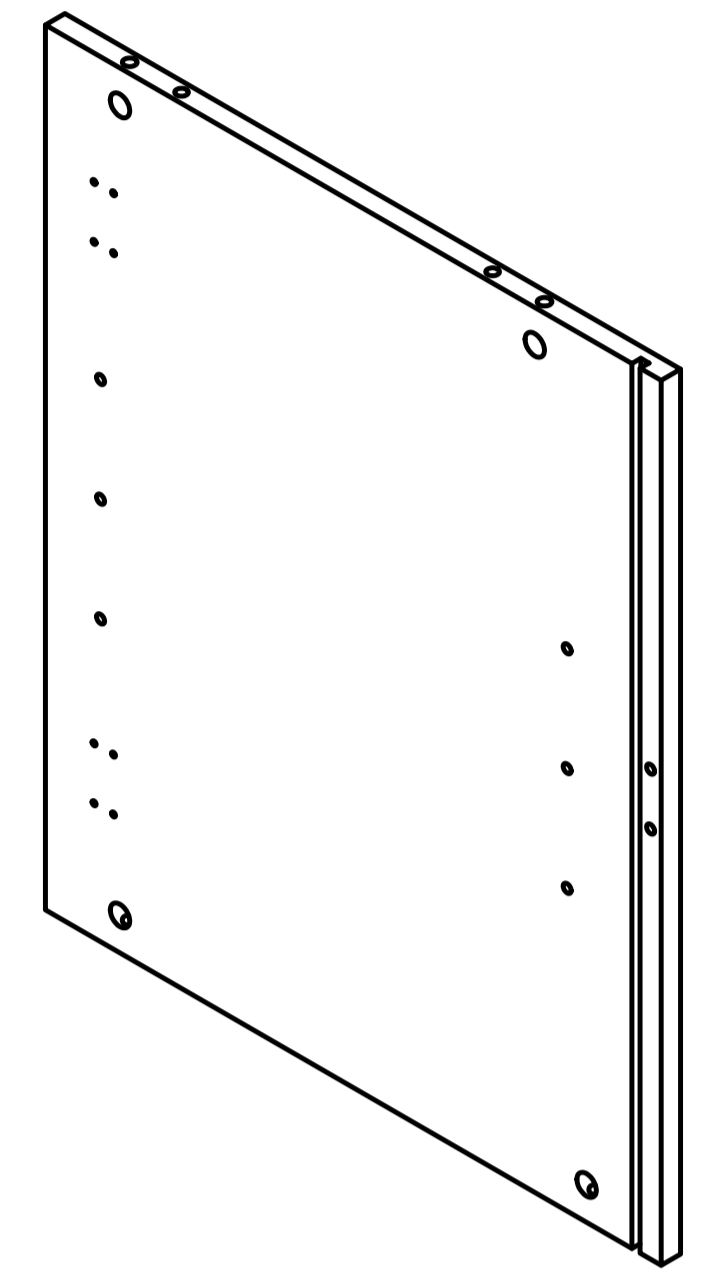
**D** x1



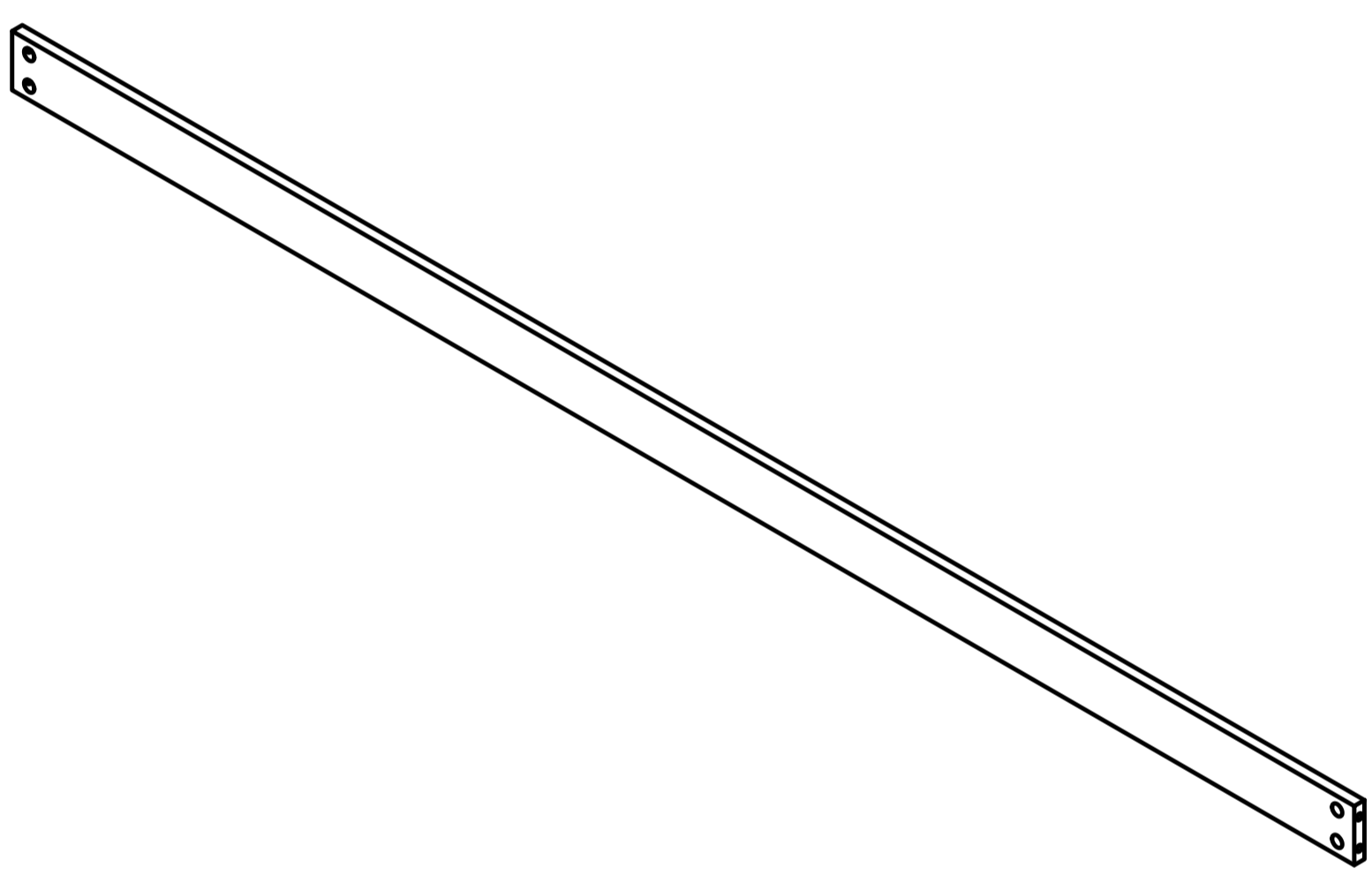
**E** x1



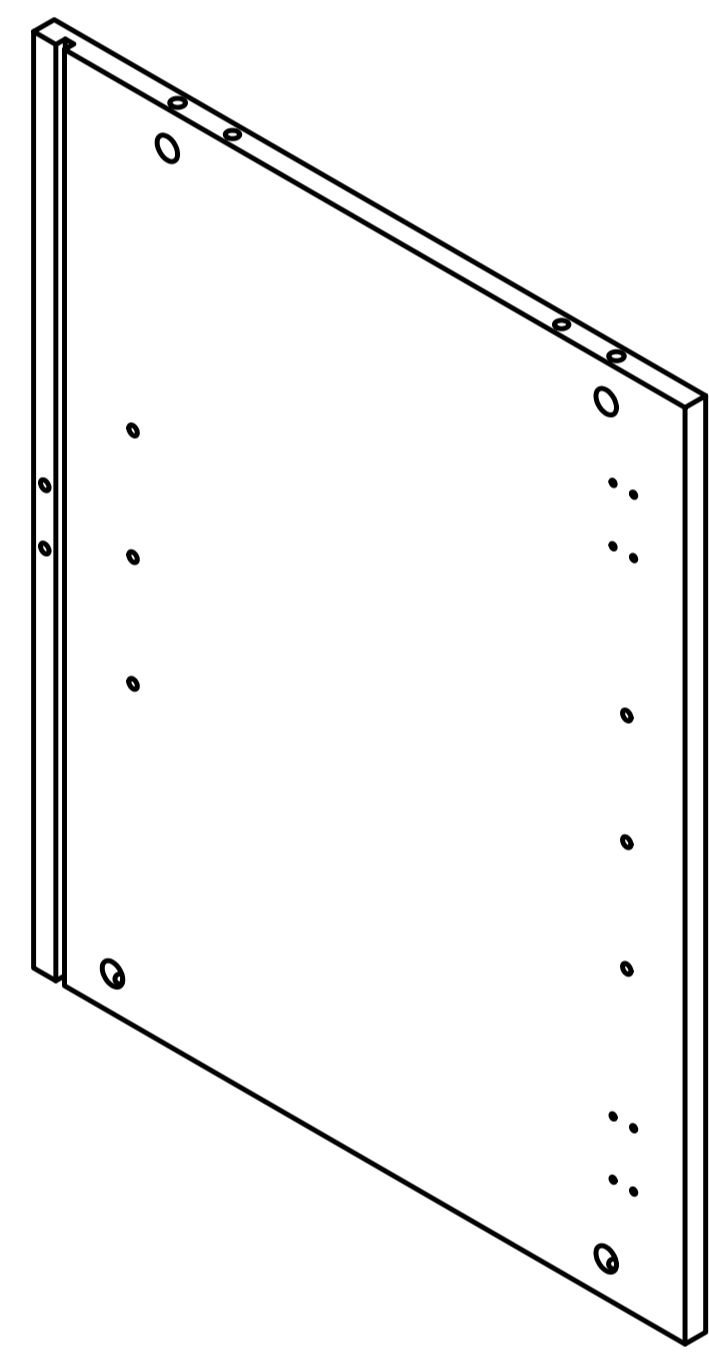
**F** x2



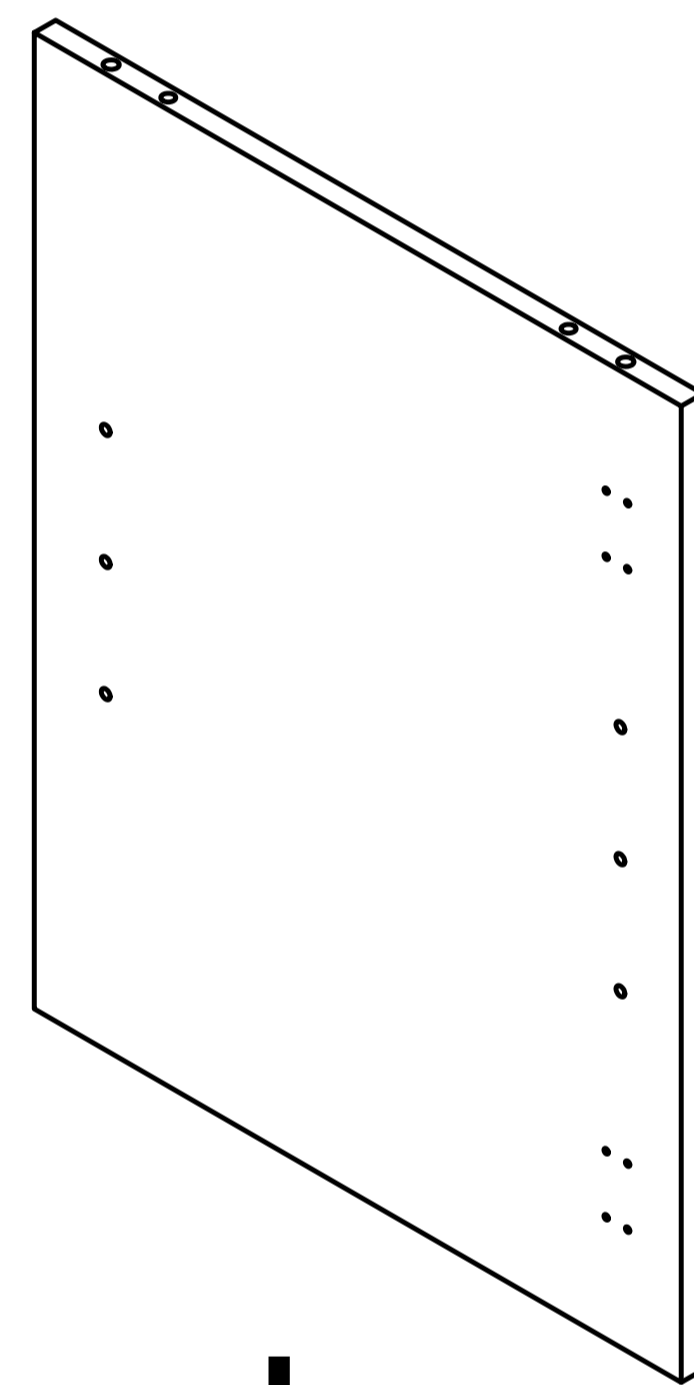
**G** x1



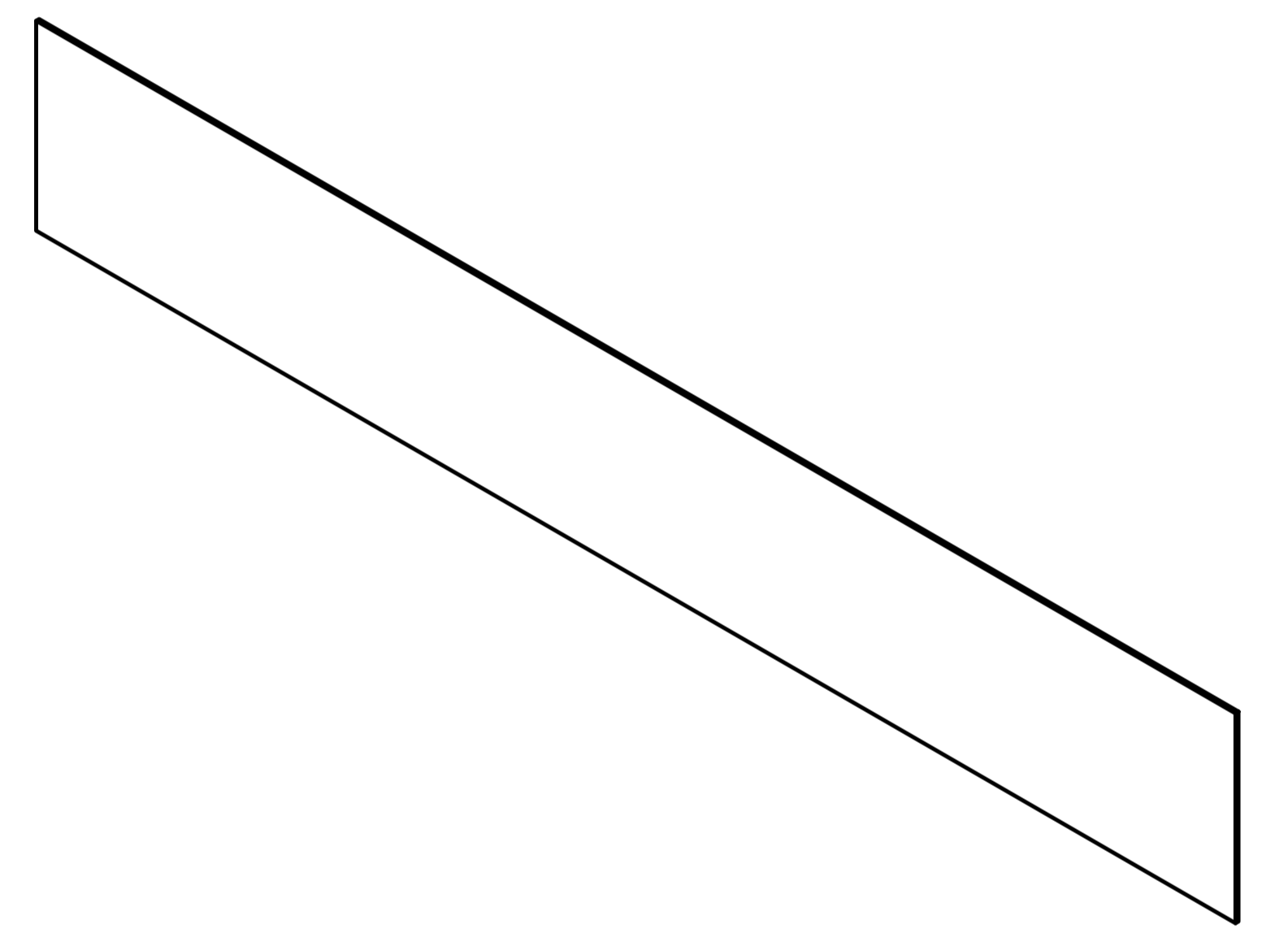
**H** x1



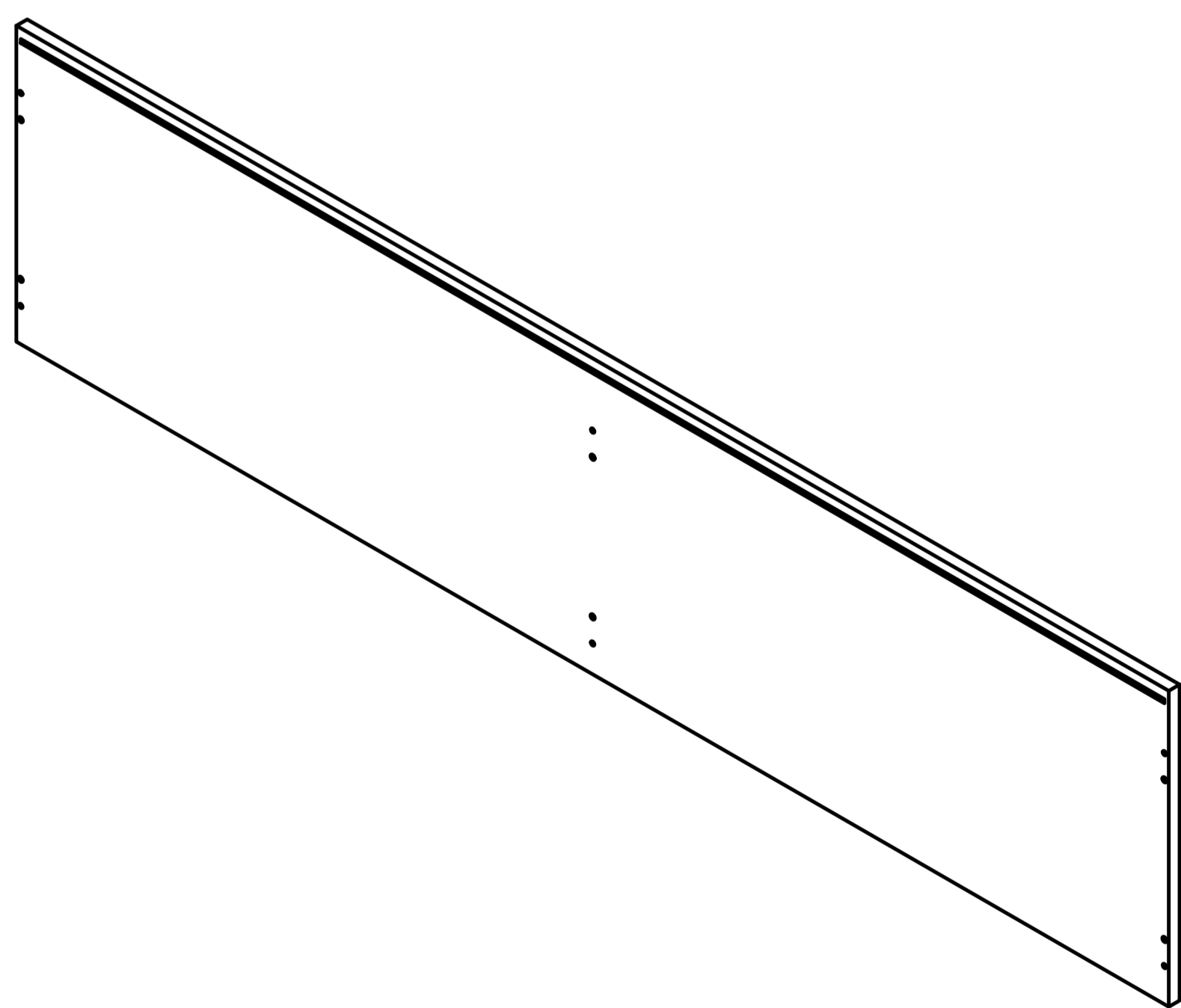
**I** x1



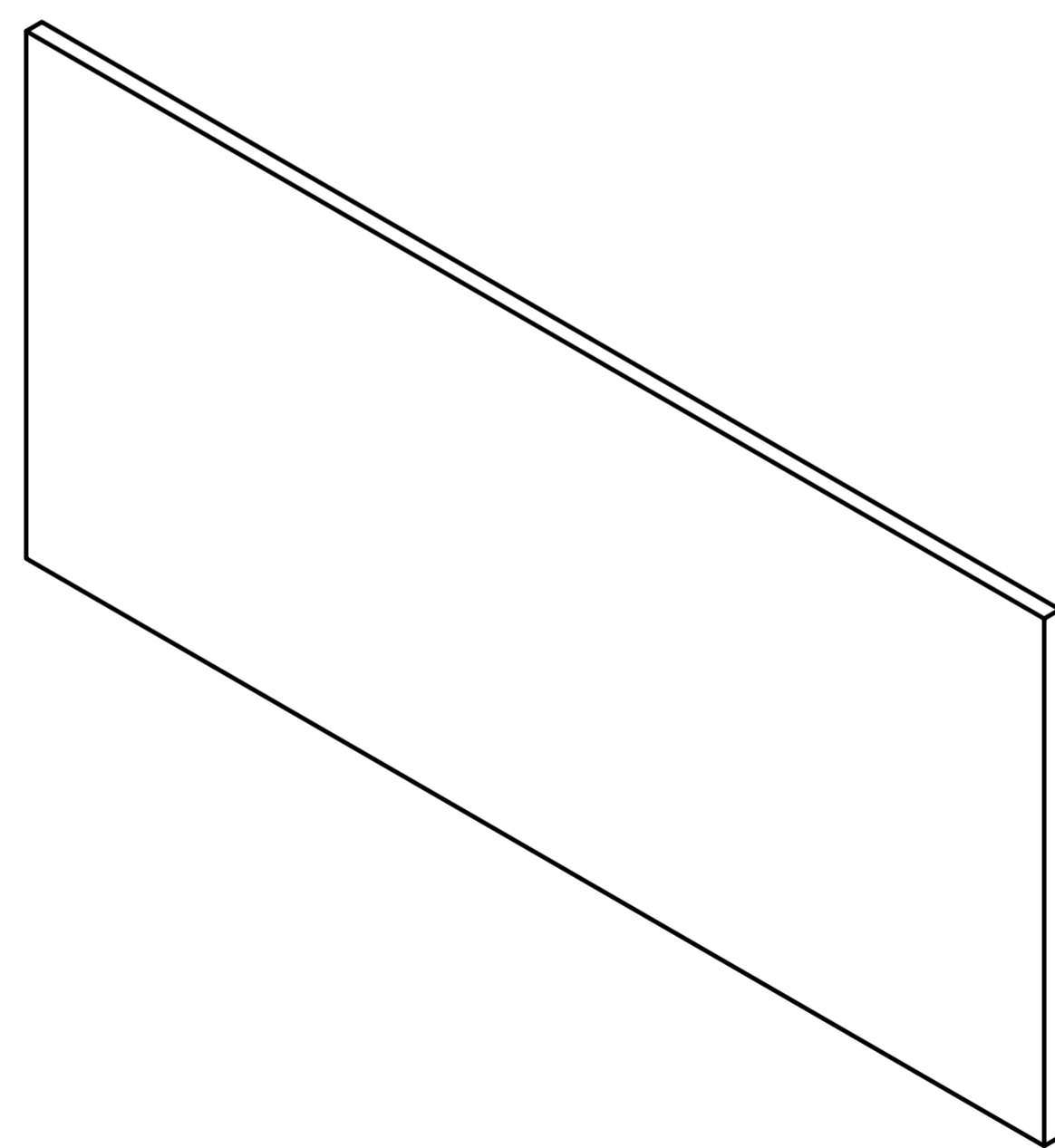
**J** x1



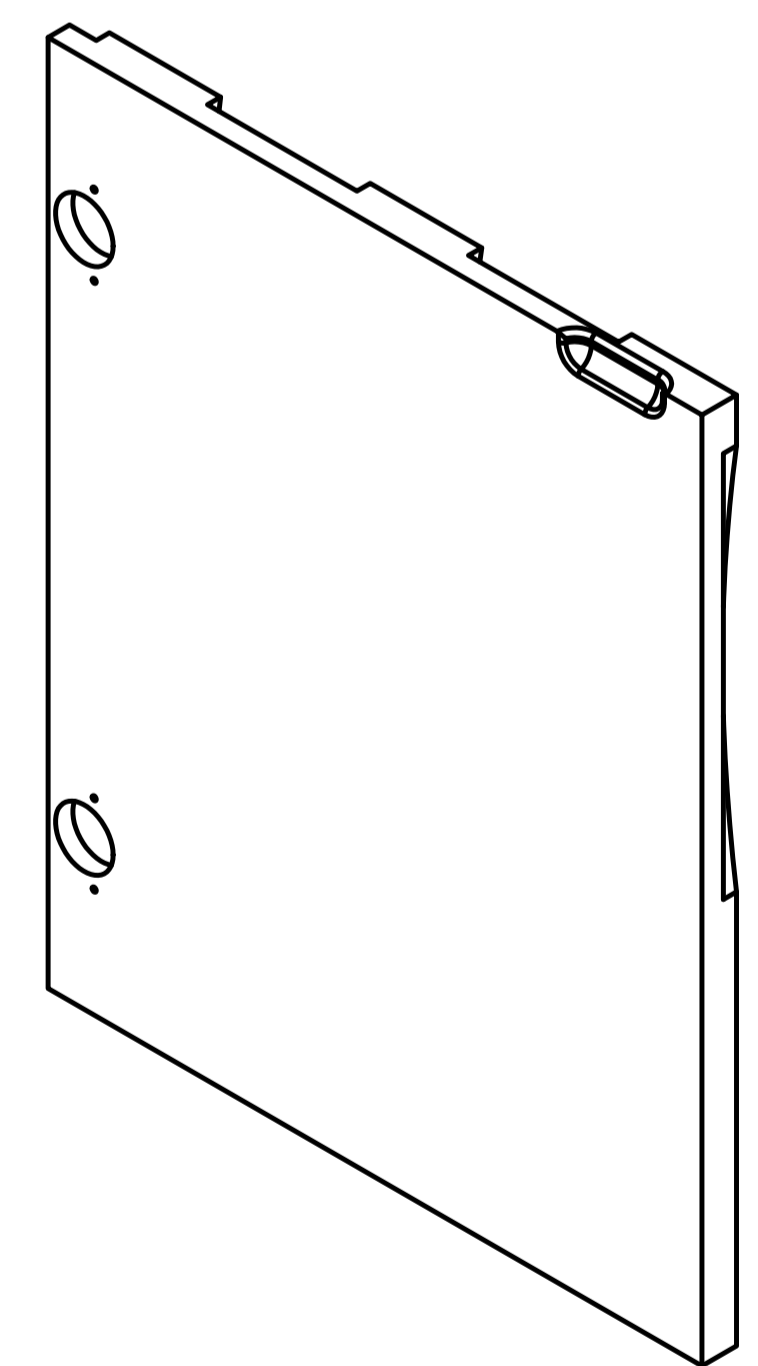
**K** x2



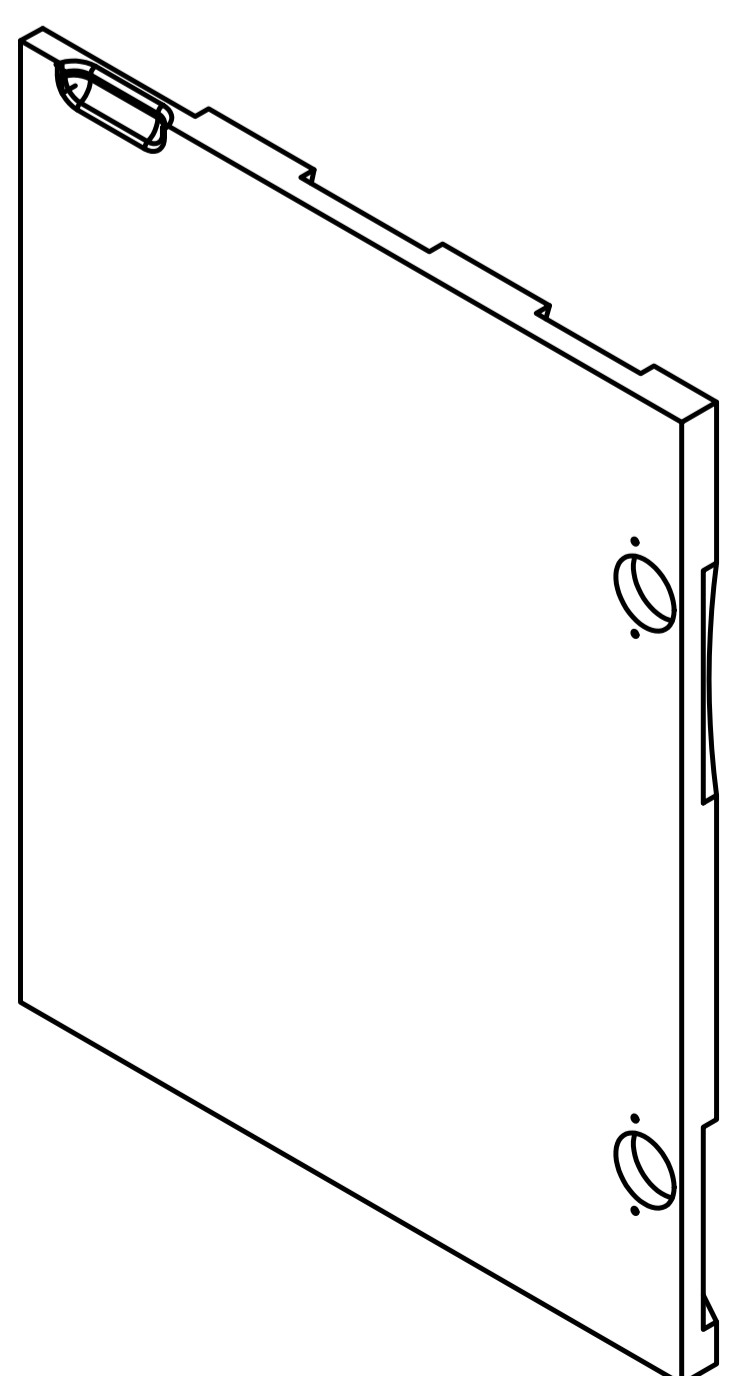
**L** x1



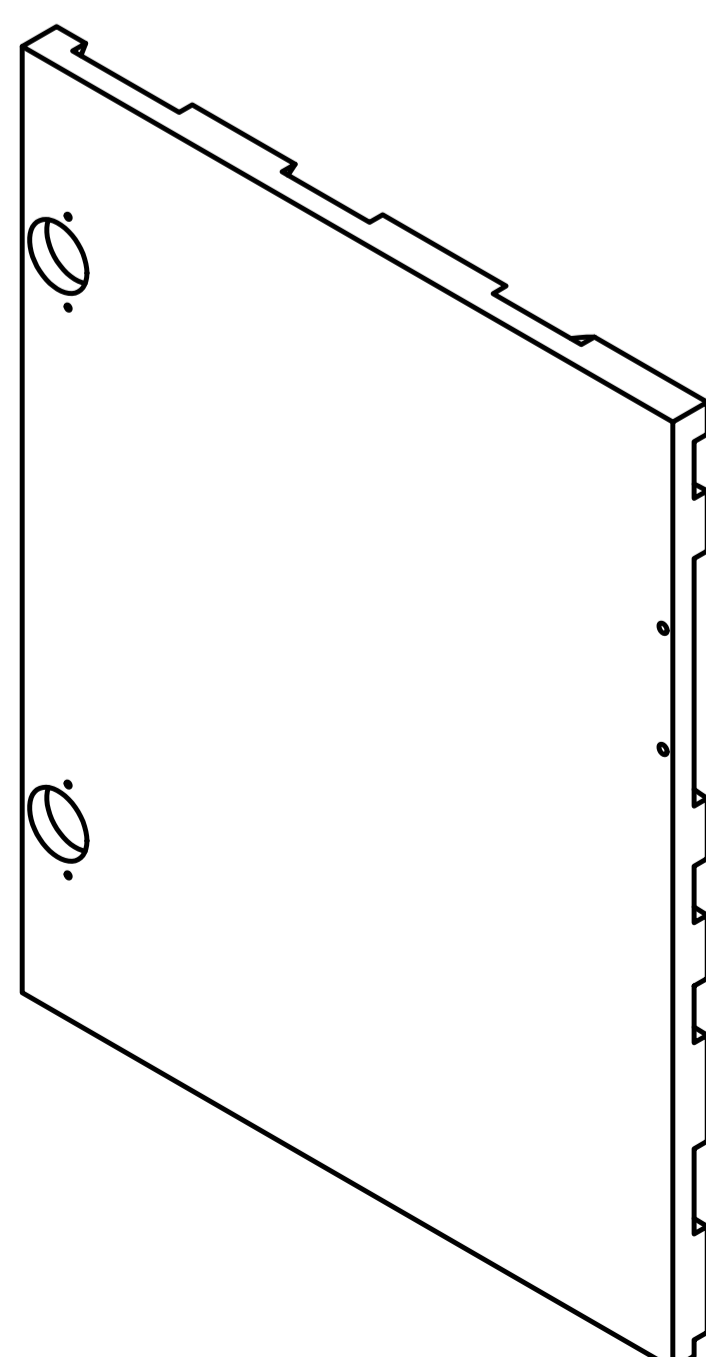
**M** x2



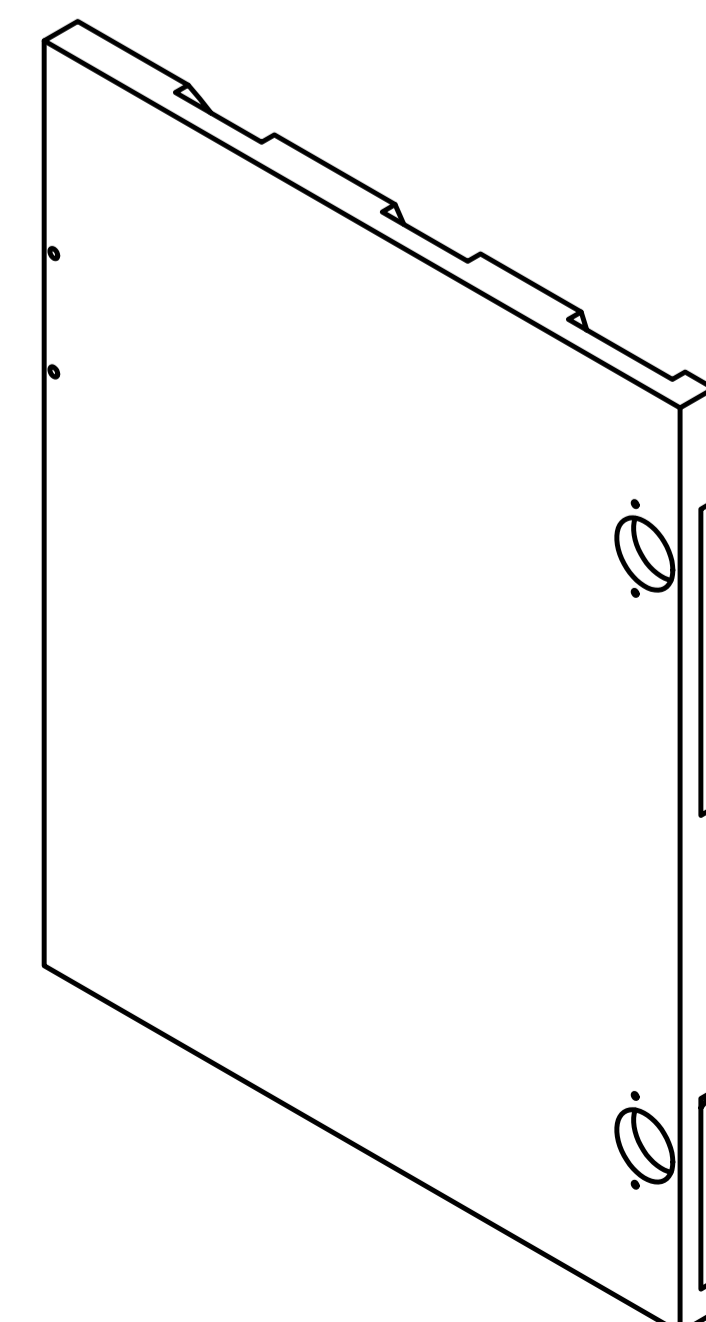
**N** x1



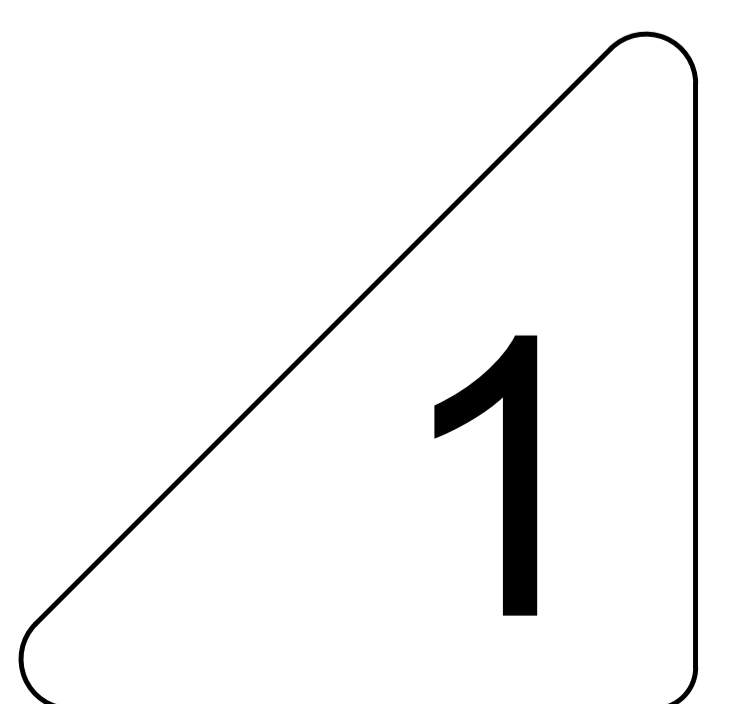
**O** x1

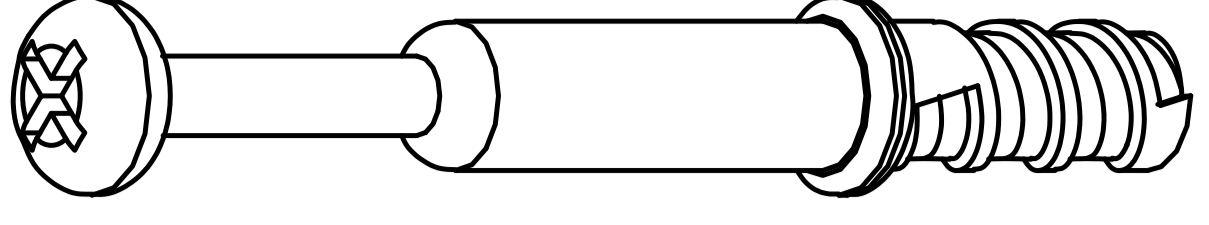
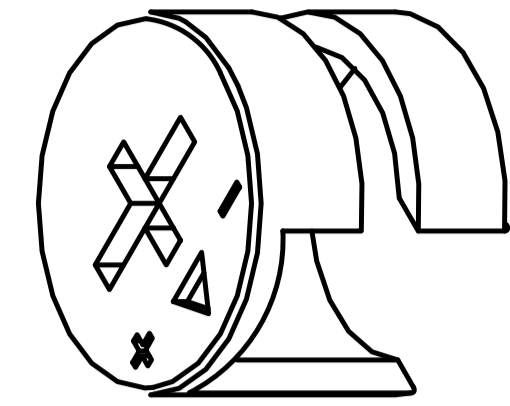
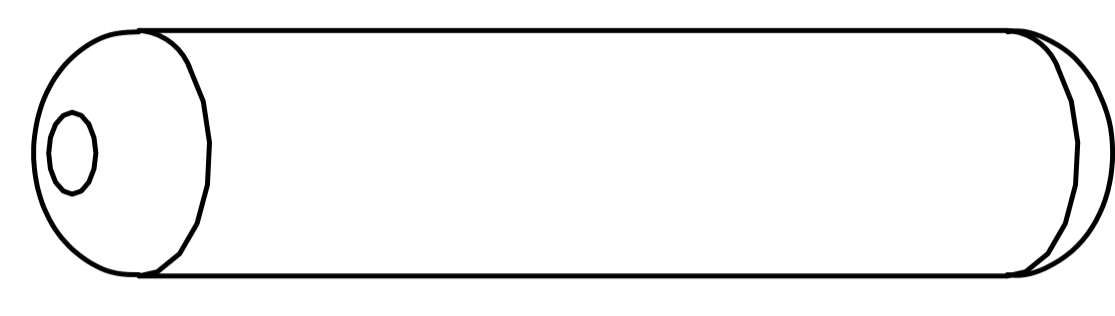
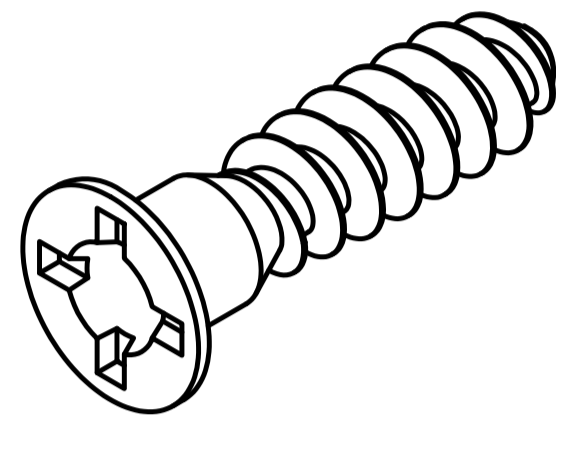
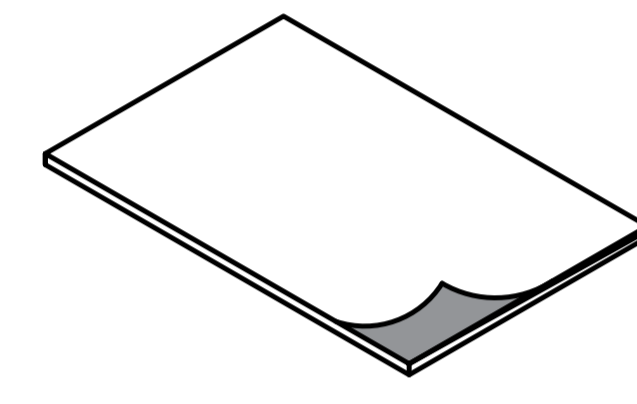
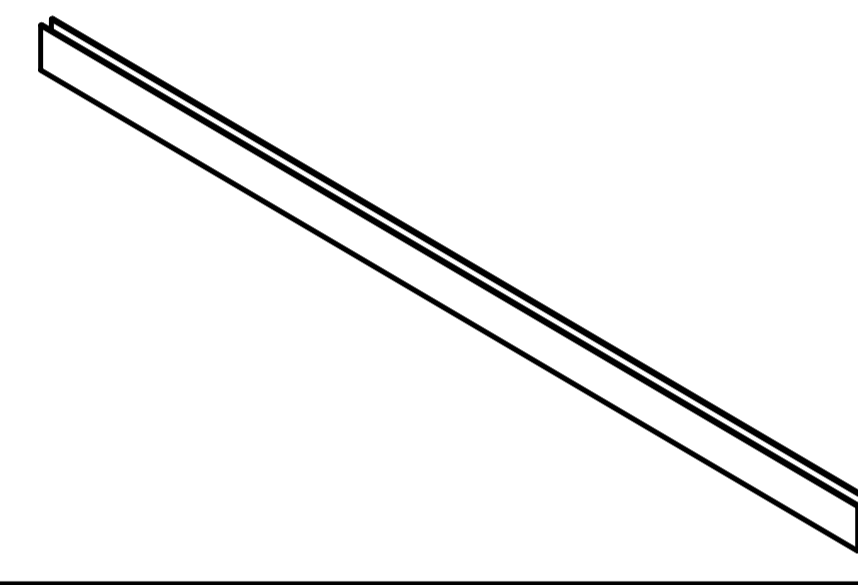
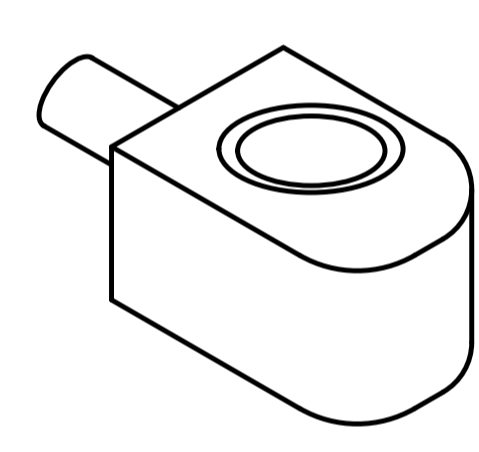
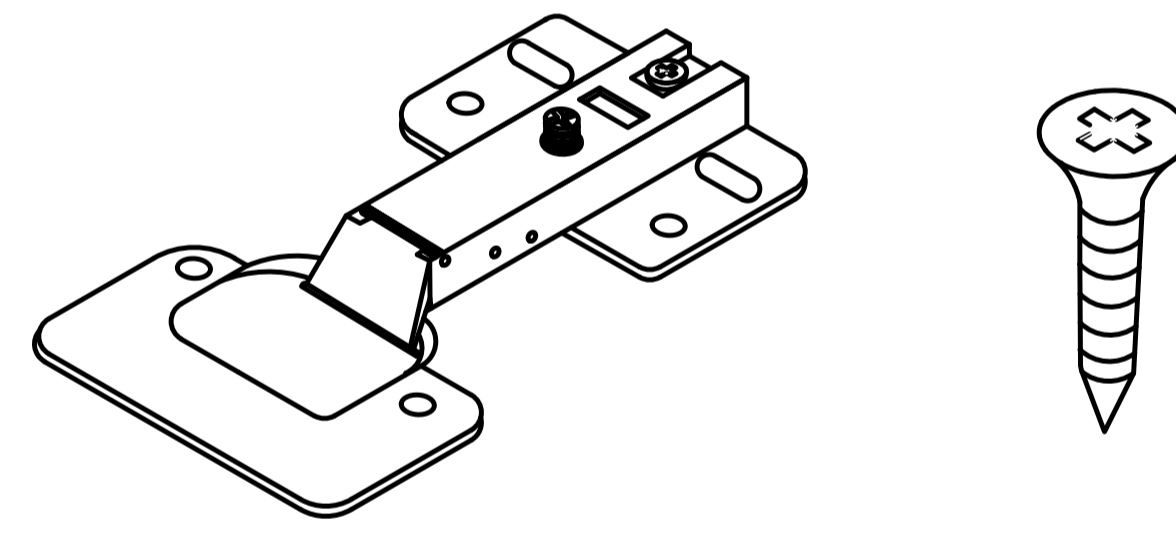
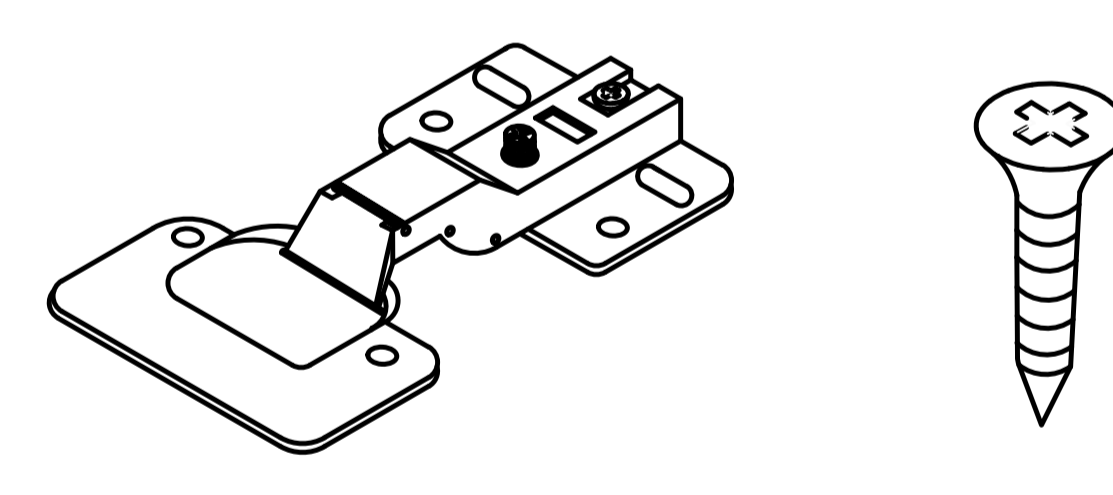
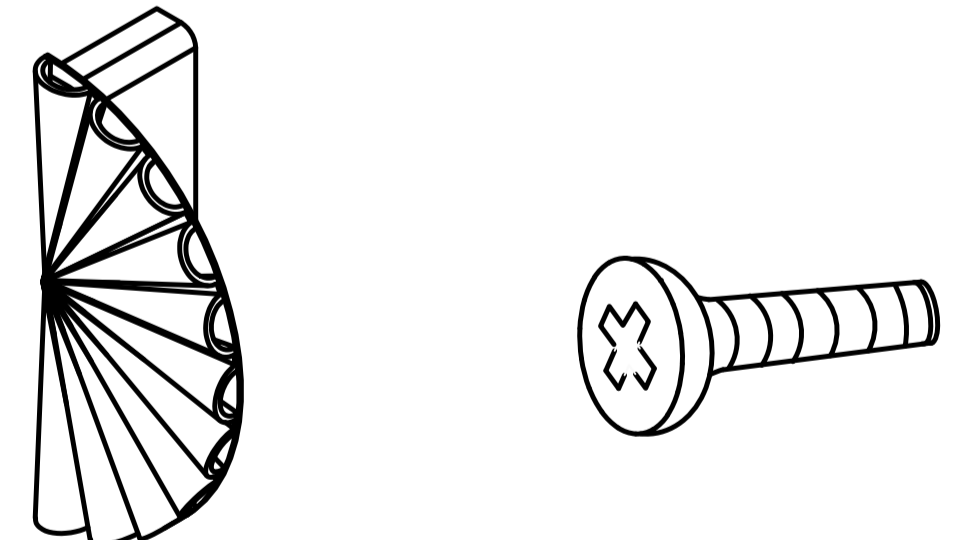
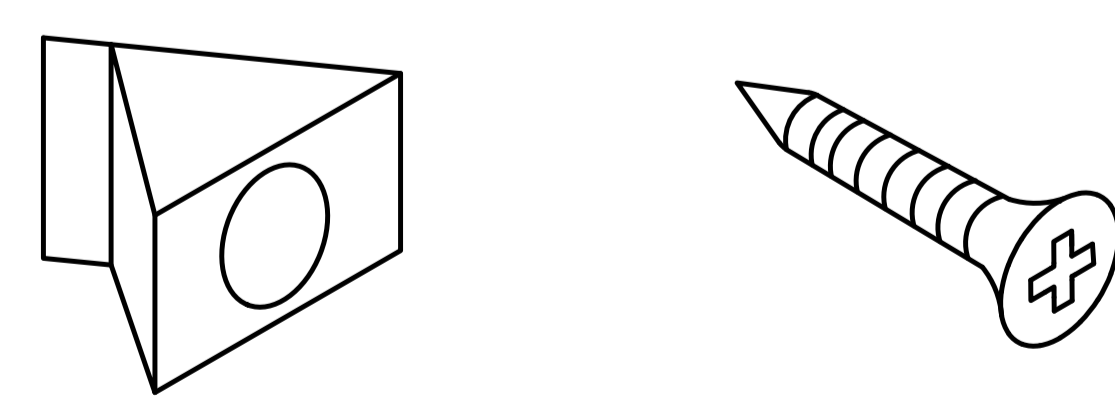


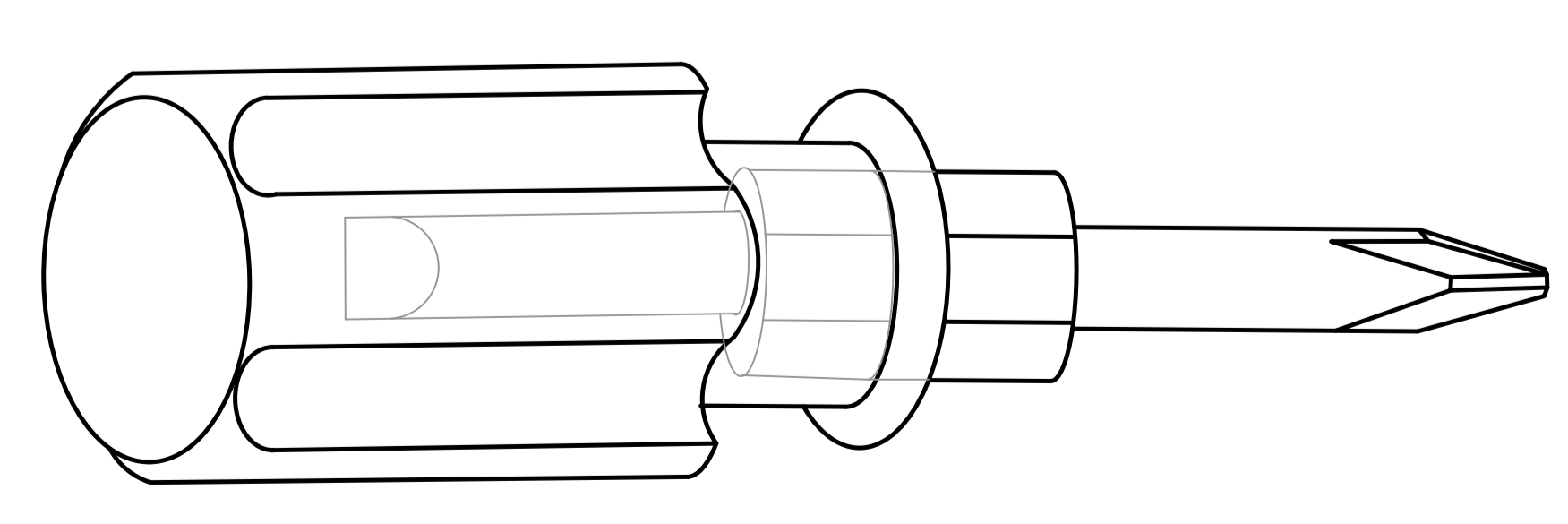
**P** x1



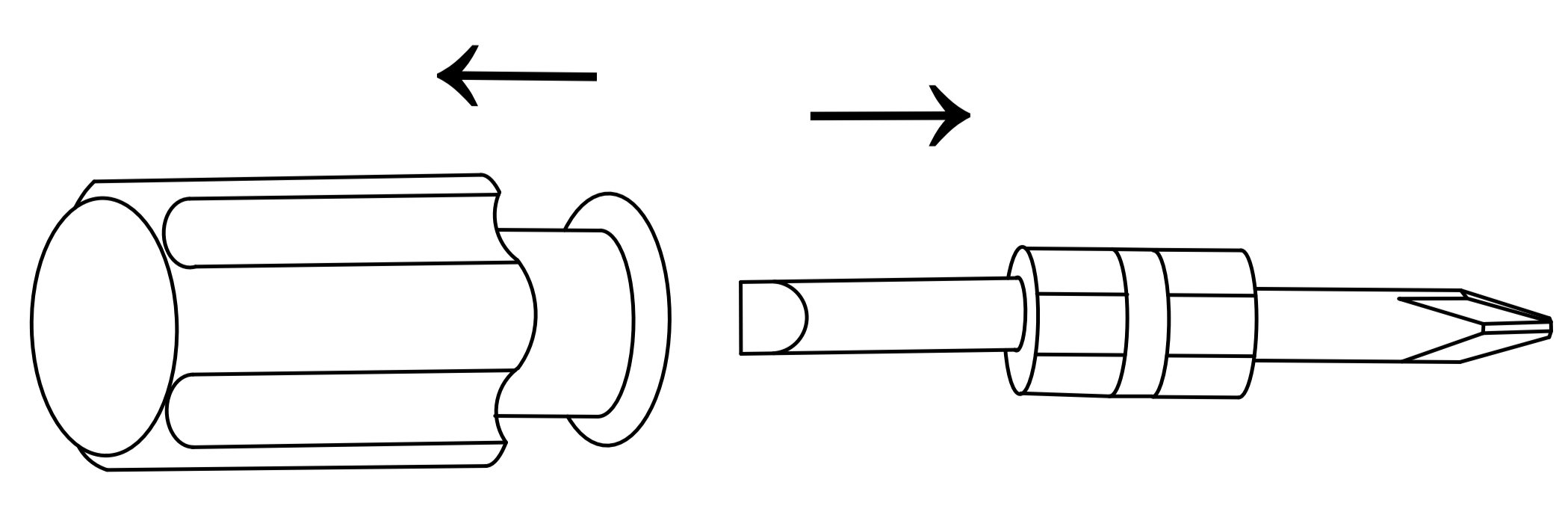
**Q** x1



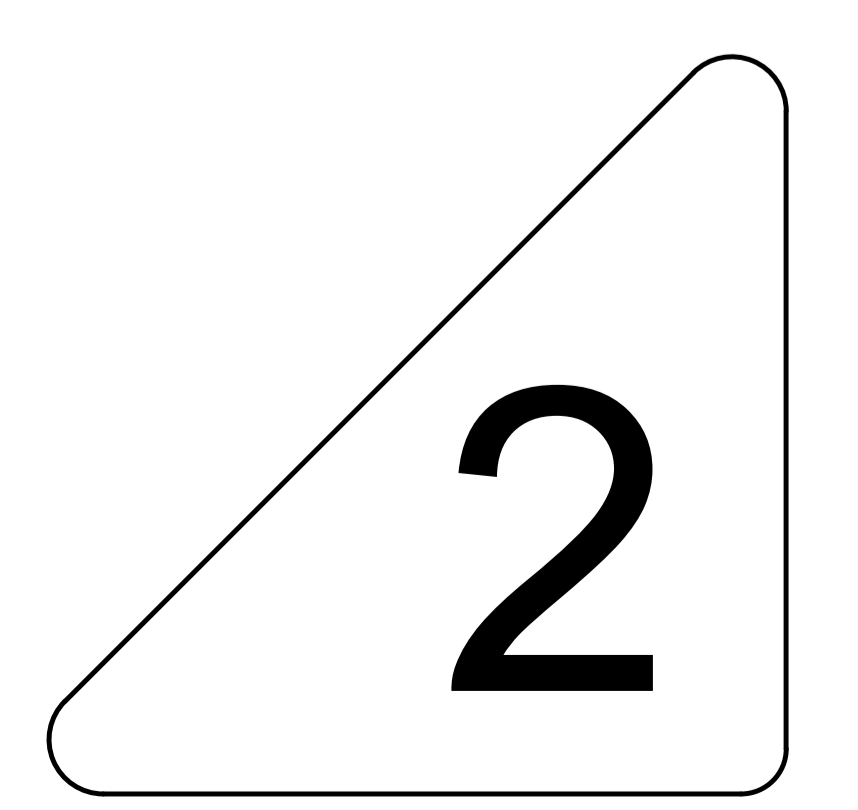
①		Two In One Screw (6x28mm)	38pcs +4pcs
②		Two In One Nut (10x12mm)	38pcs +4pcs
③		Wood Chipping (6x30mm)	12pcs +2pcs
④		Screw (7x28mm)	8pcs +2pcs
⑤		Non-slip pads (35x15mm)	5pcs +1pcs
⑥		Backboard card strip (1570mm)	1pcs
⑦		Laminate Support Nail	8pcs +2pcs
⑧		Hinge & Screw (3.5x12mm)	24pcs +3pcs 4pcs
⑨		Hinge & Screw (3.5x12mm)	24pcs +3pcs 4pcs
⑩		Handle & Screw (4x25mm)	4pcs +2pcs 2pcs
⑪		Fixing clip & screw (3x16mm)	16pcs +2pcs



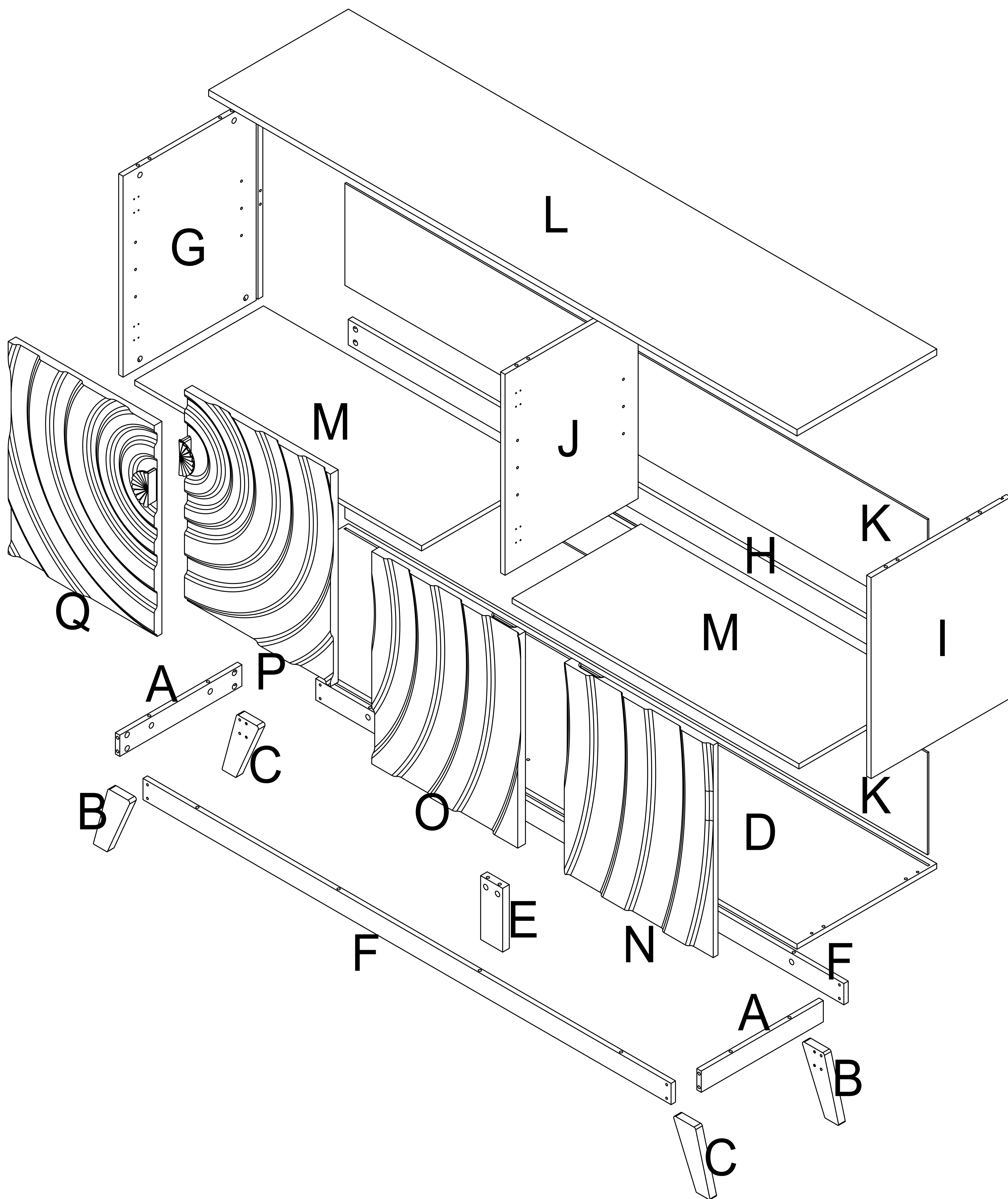
1pcs



Double-head screwdriver, use as required

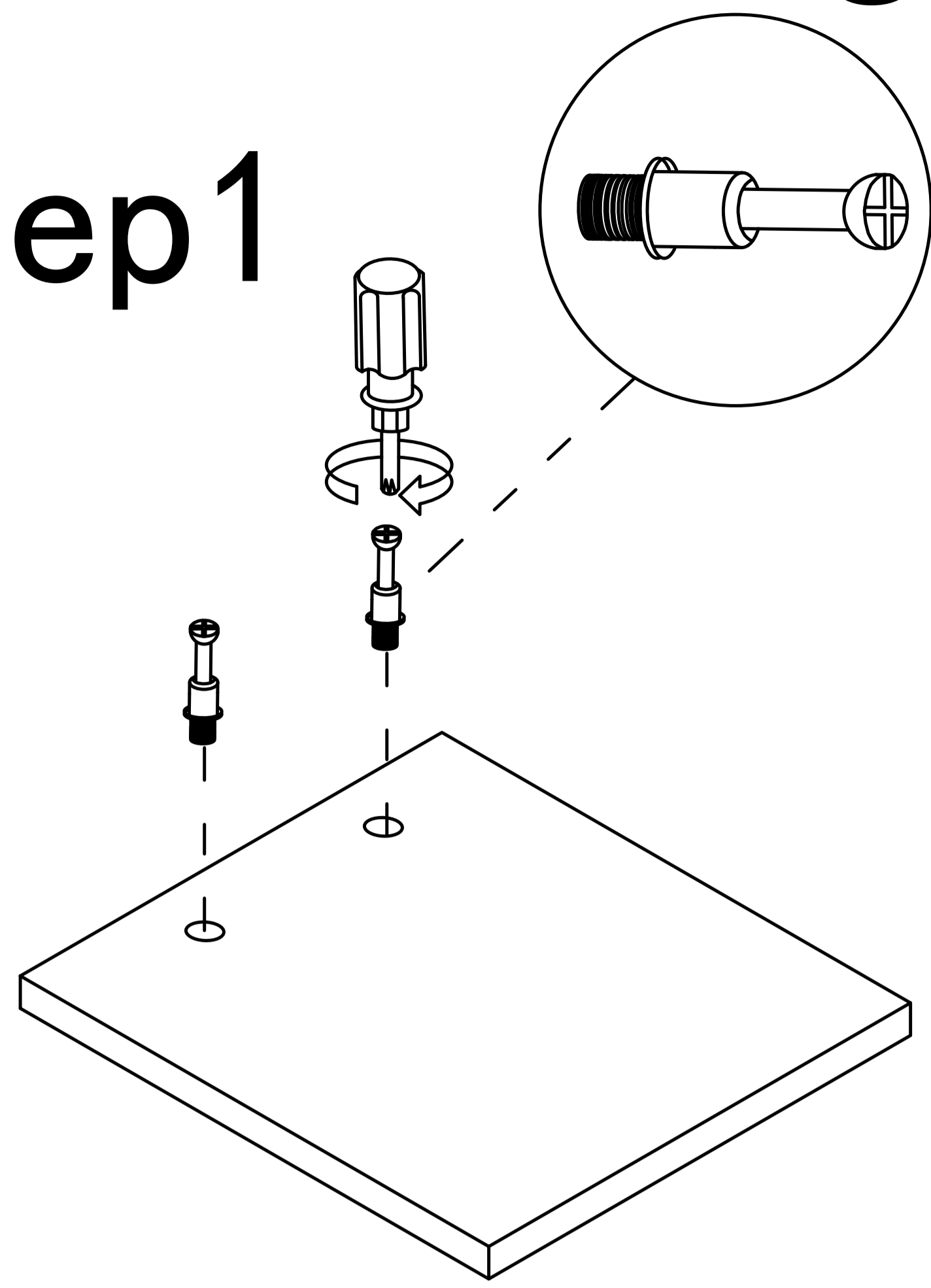


# Product structure decomposition

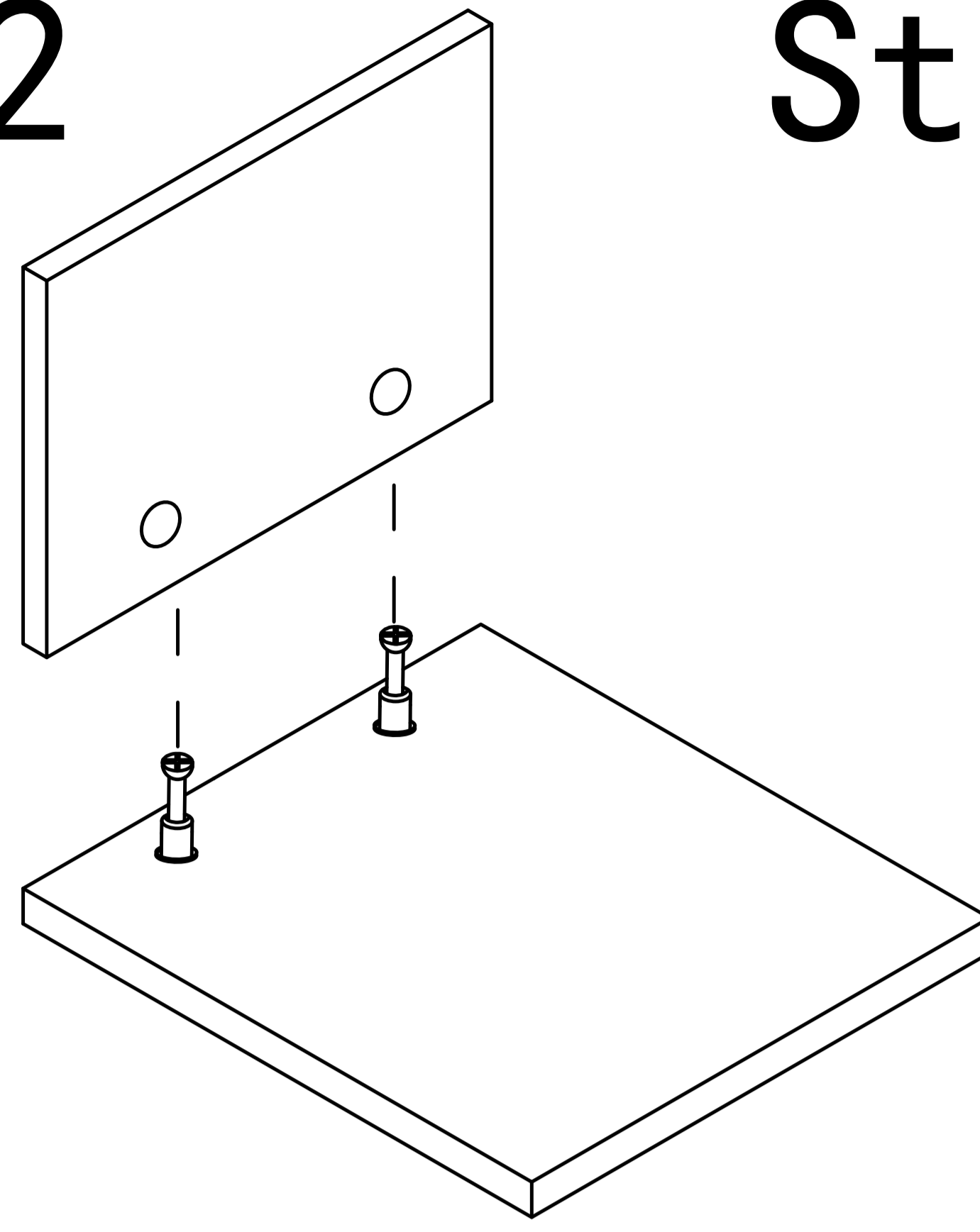


# Use parts ① and ②

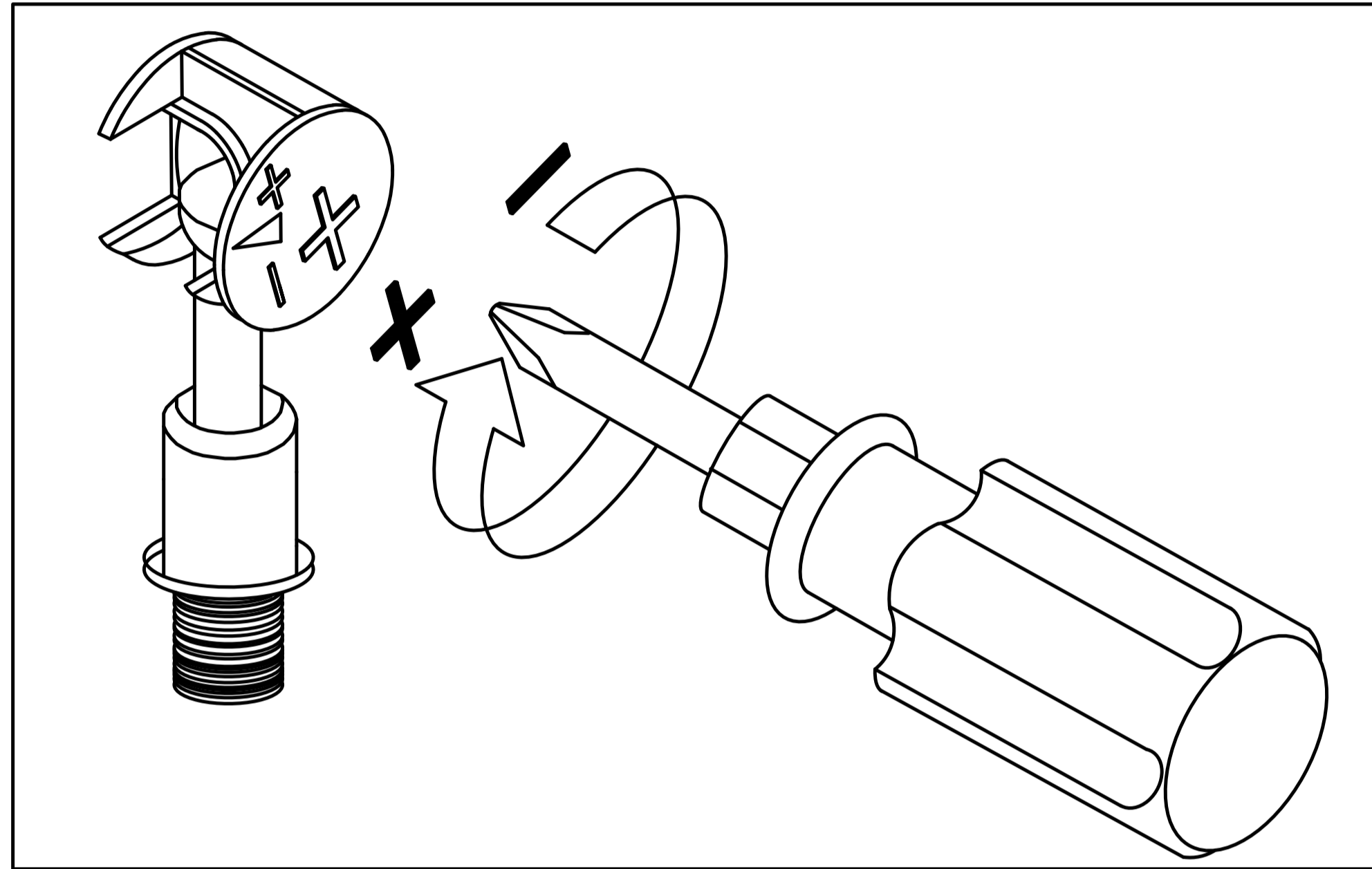
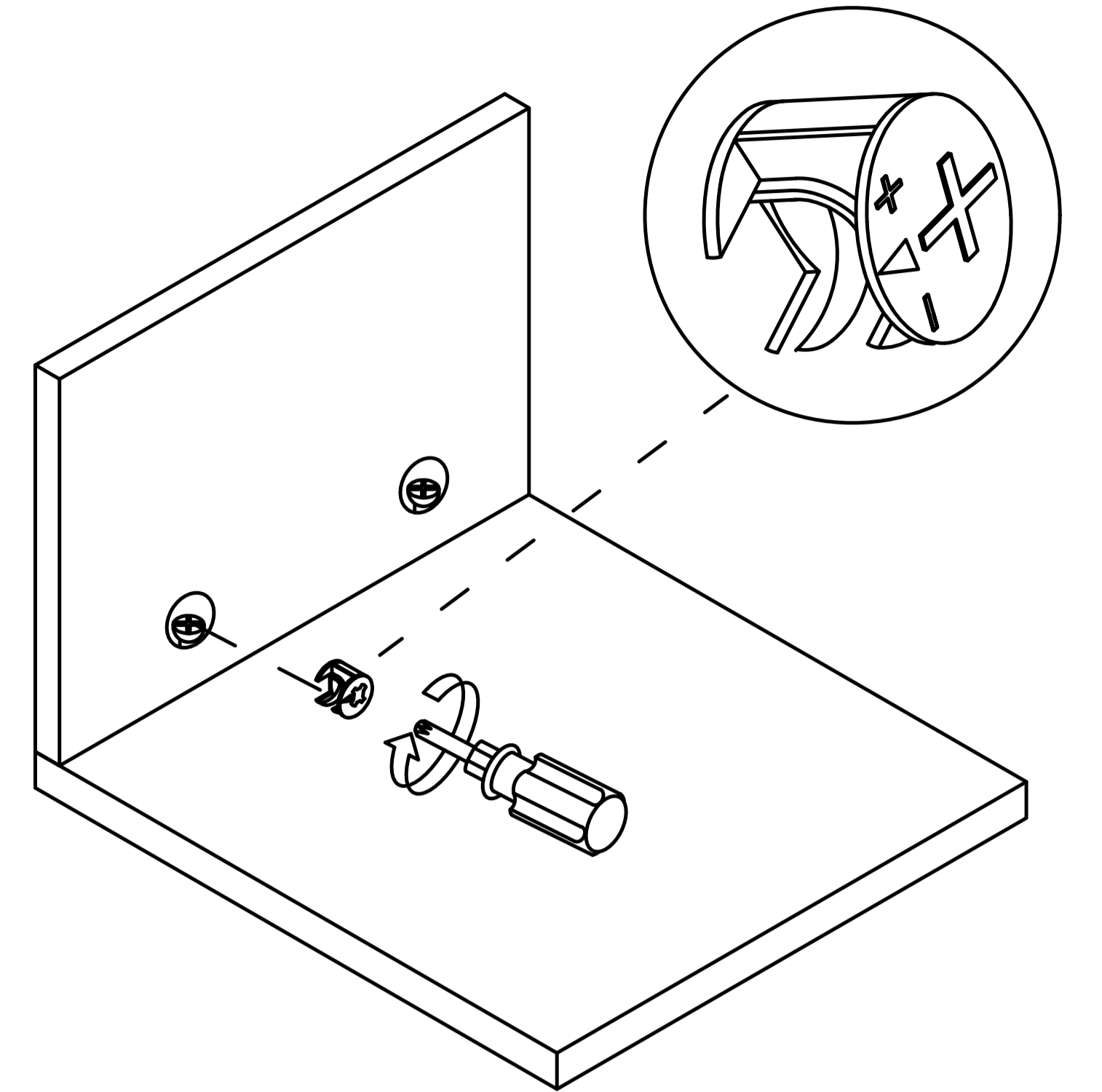
Step 1



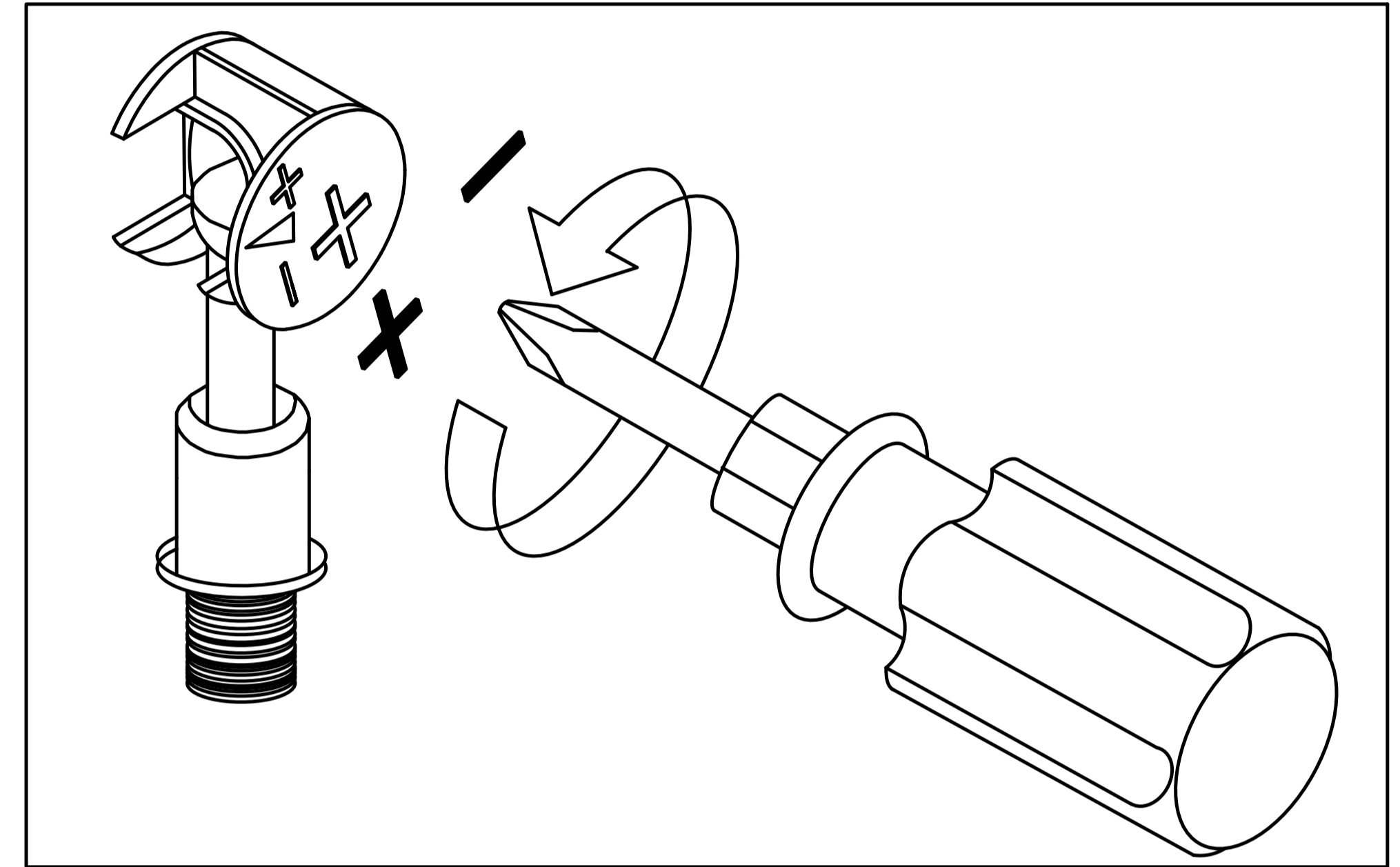
Step 2



Step 3

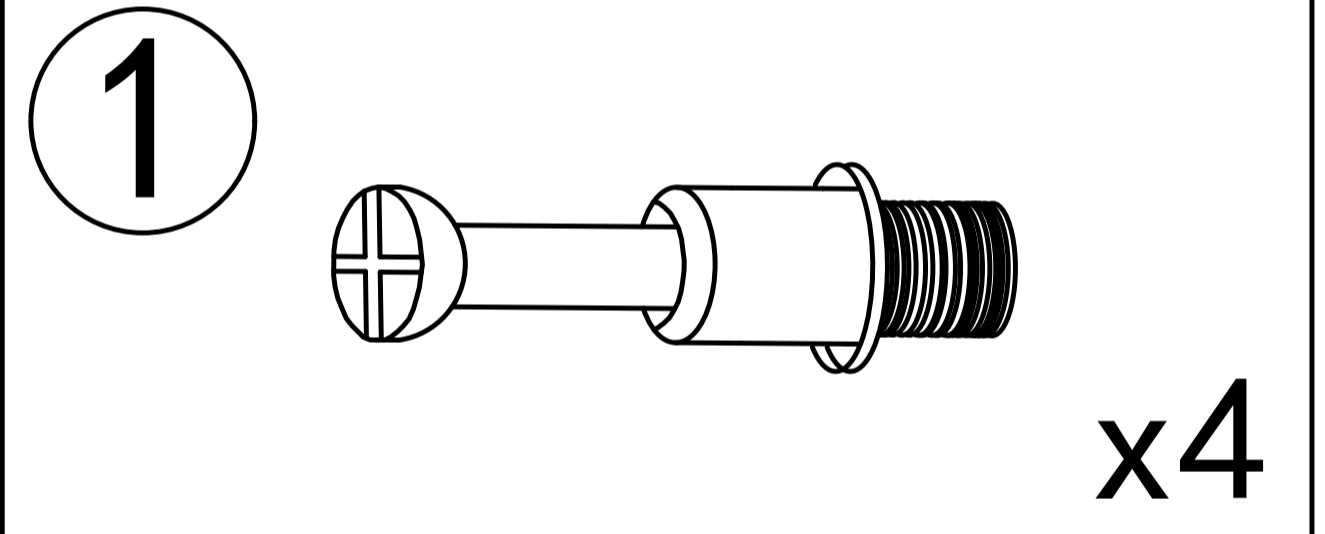
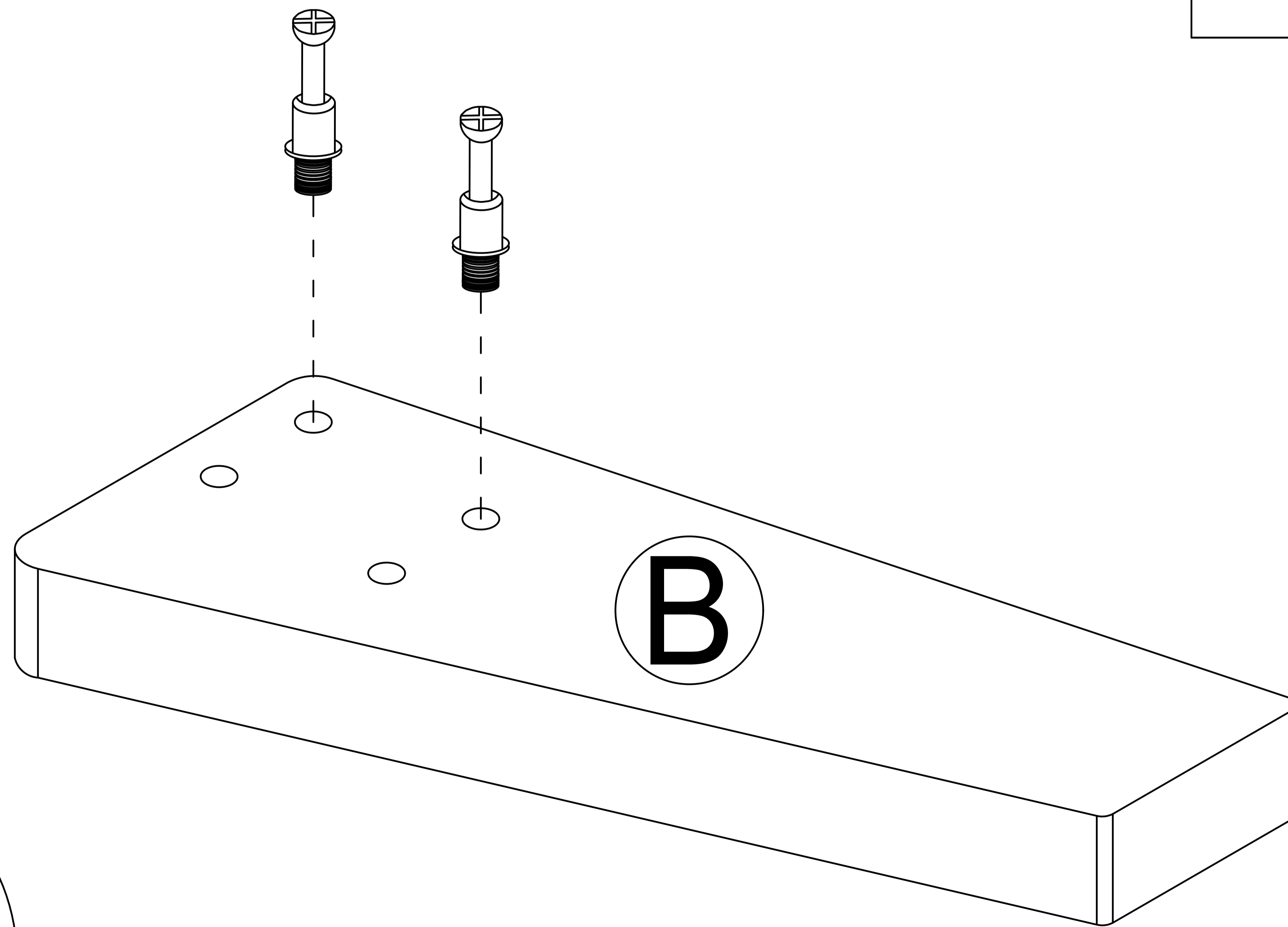


Use a screwdriver to lock in the direction of the "+" sign



Disassemble along the direction of "-" sign

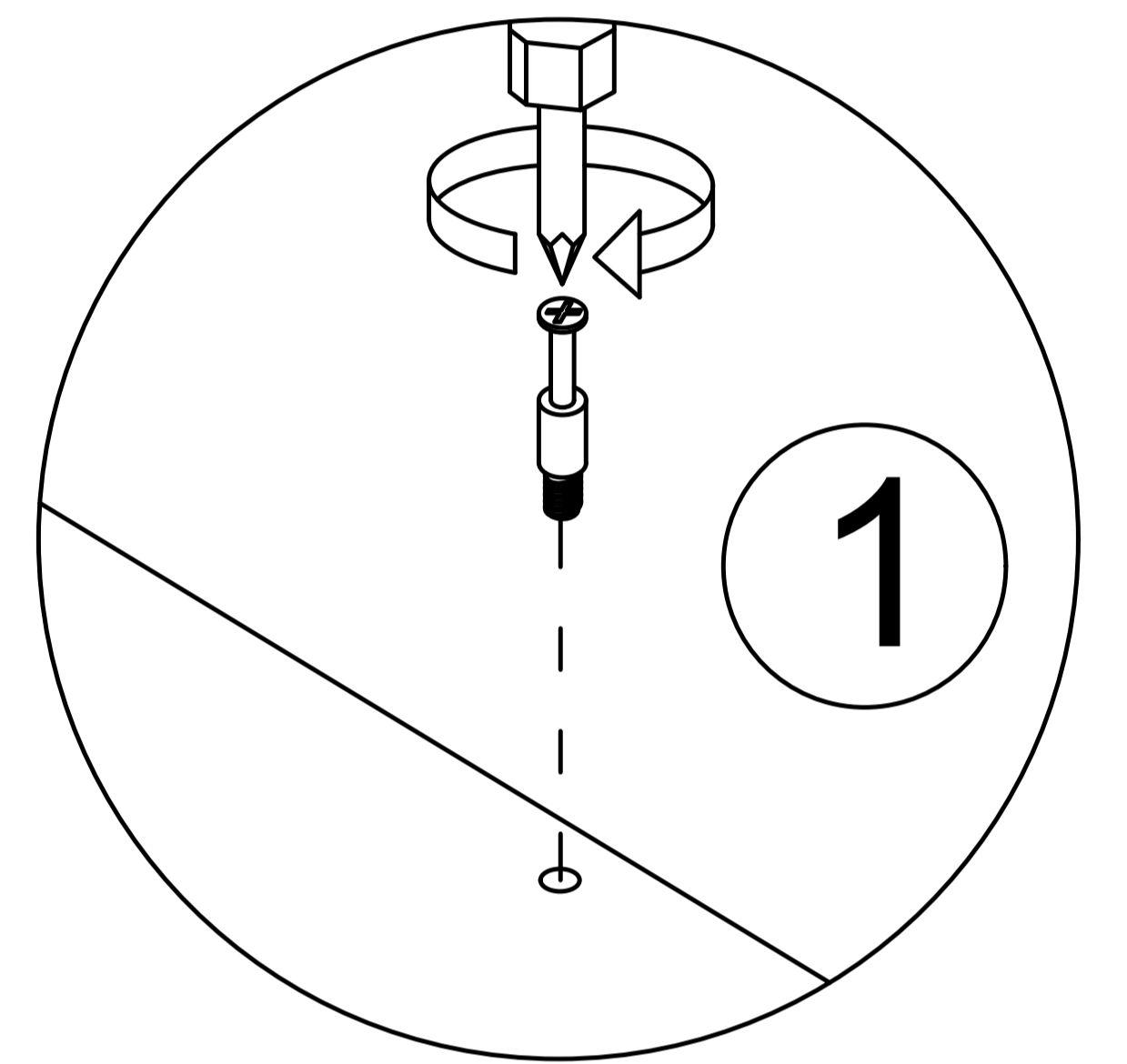
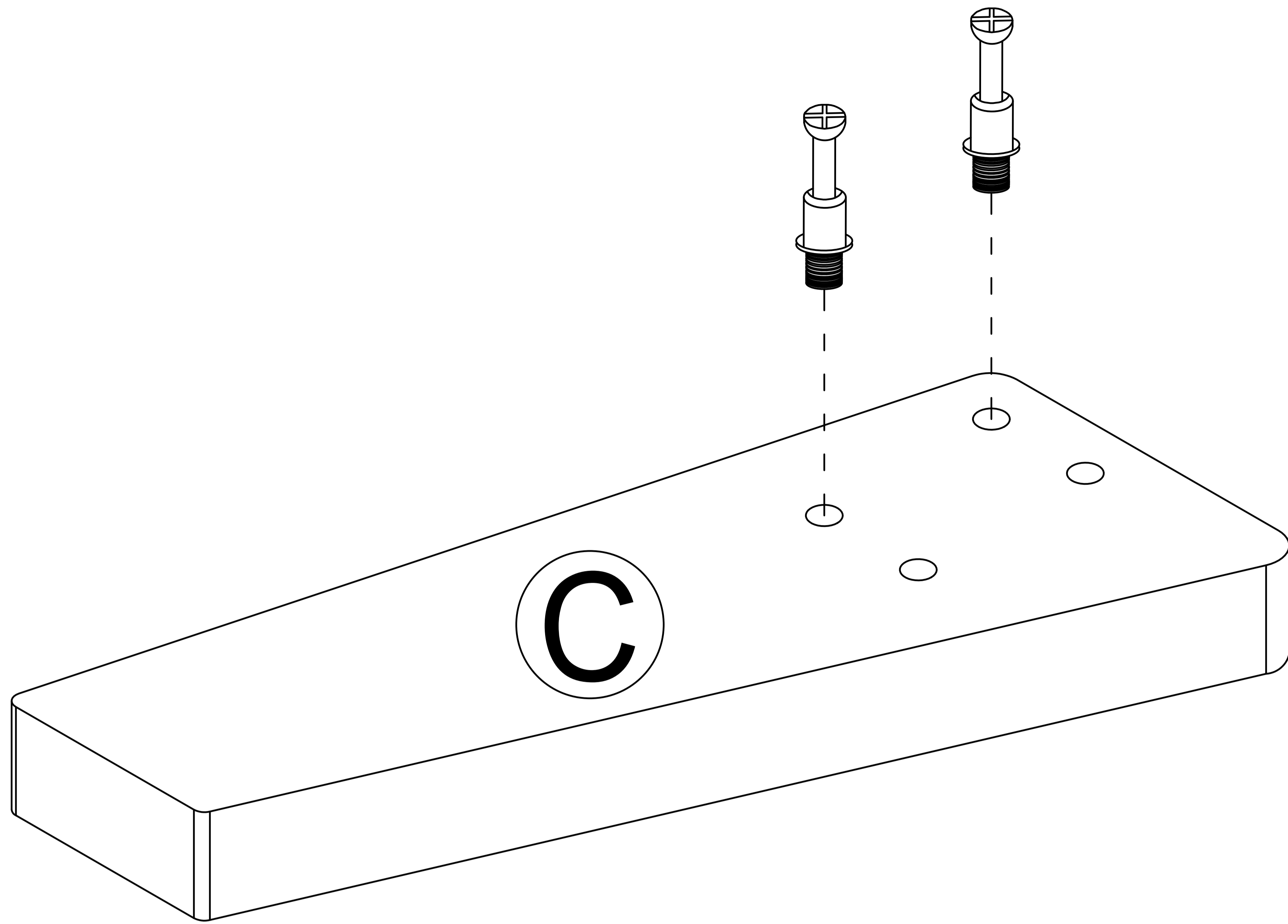
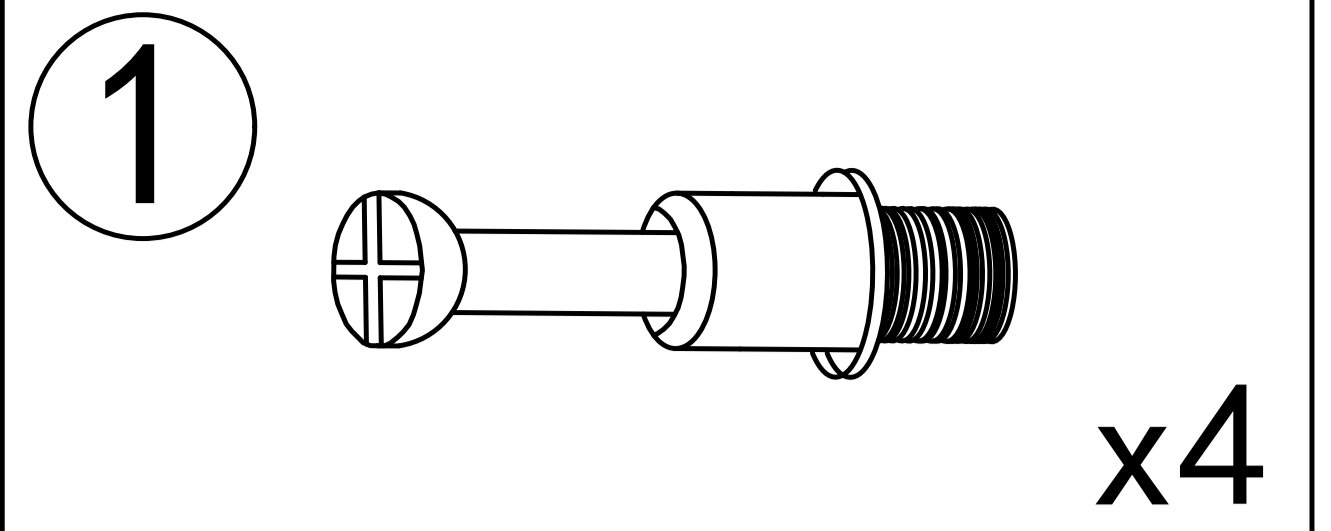
Step 1



Steps and objects x2

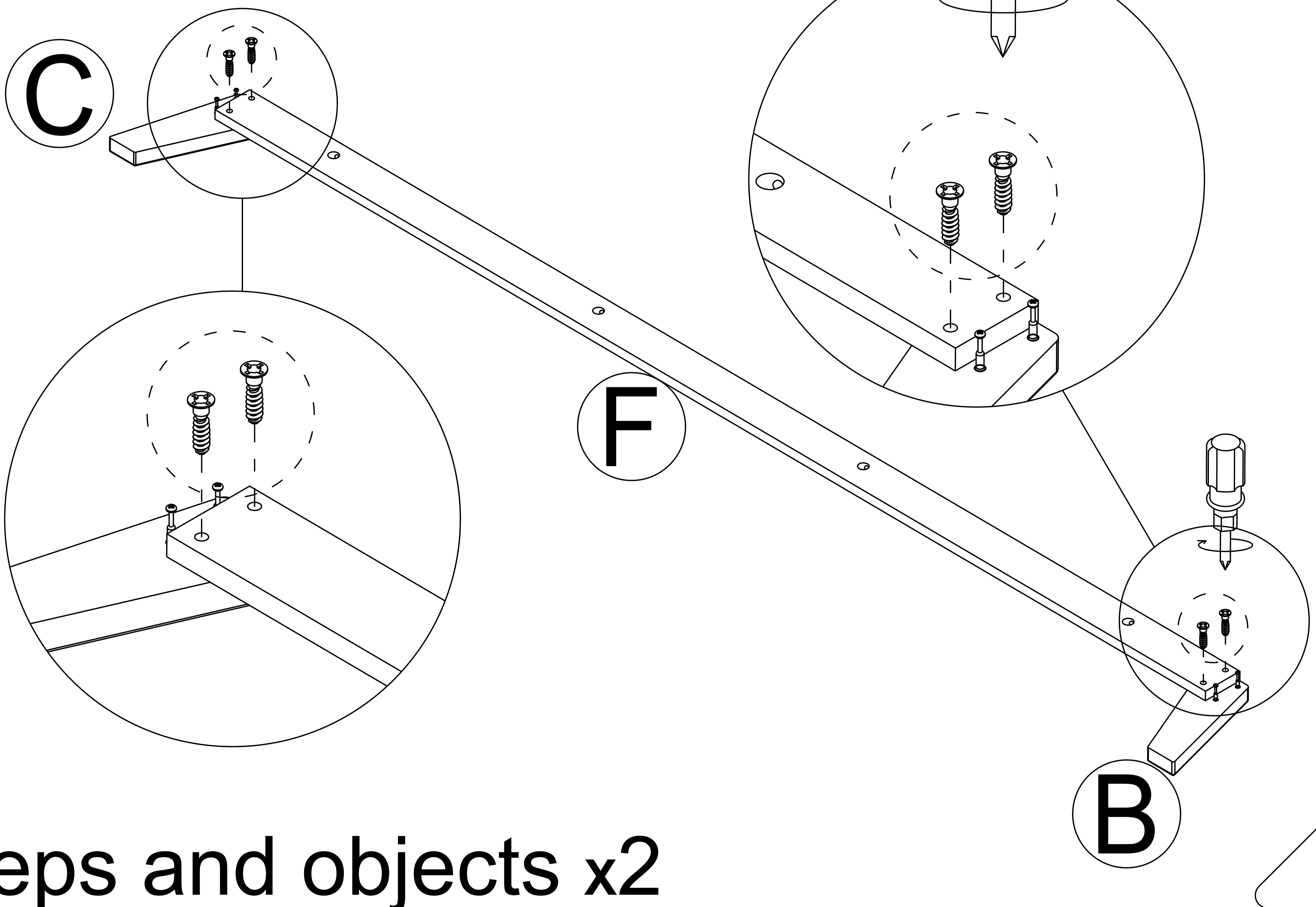
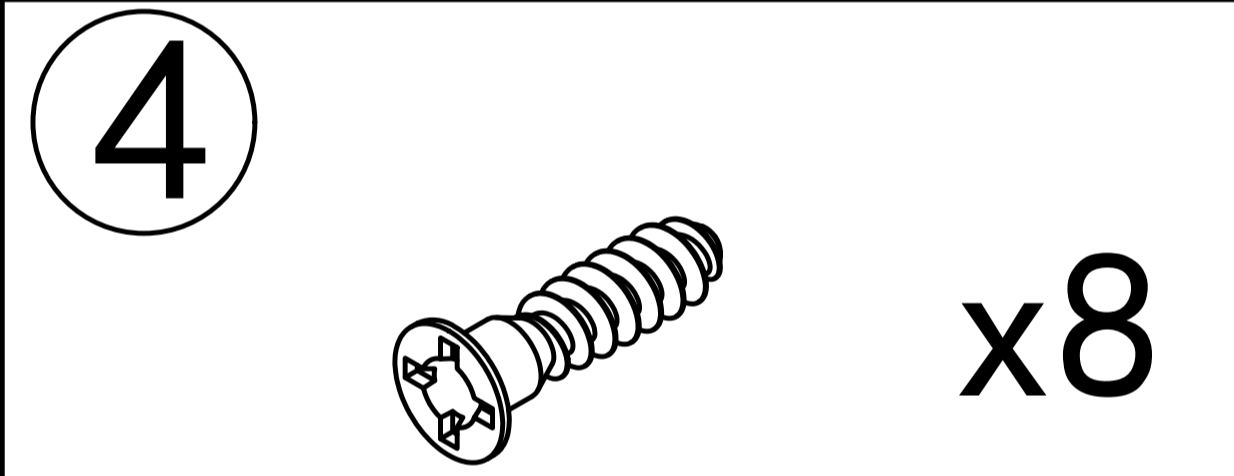
4

Step 2



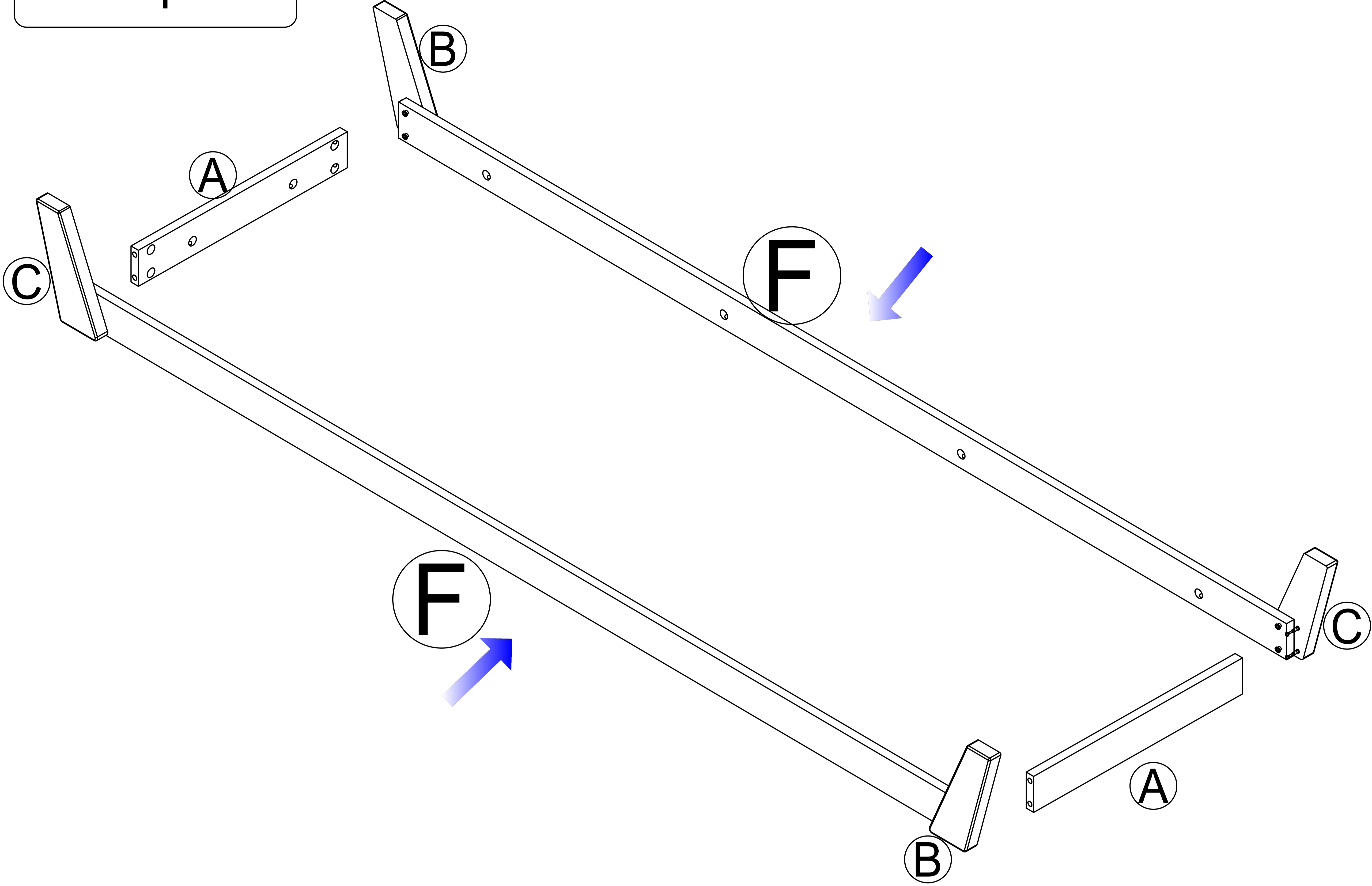
Steps and objects x2

Step 3

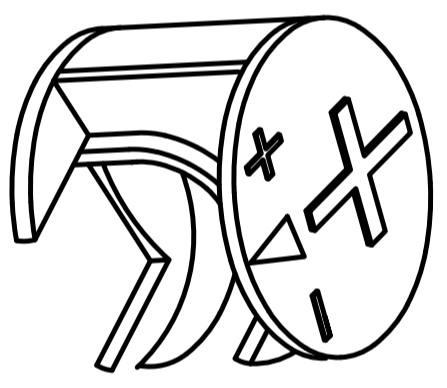


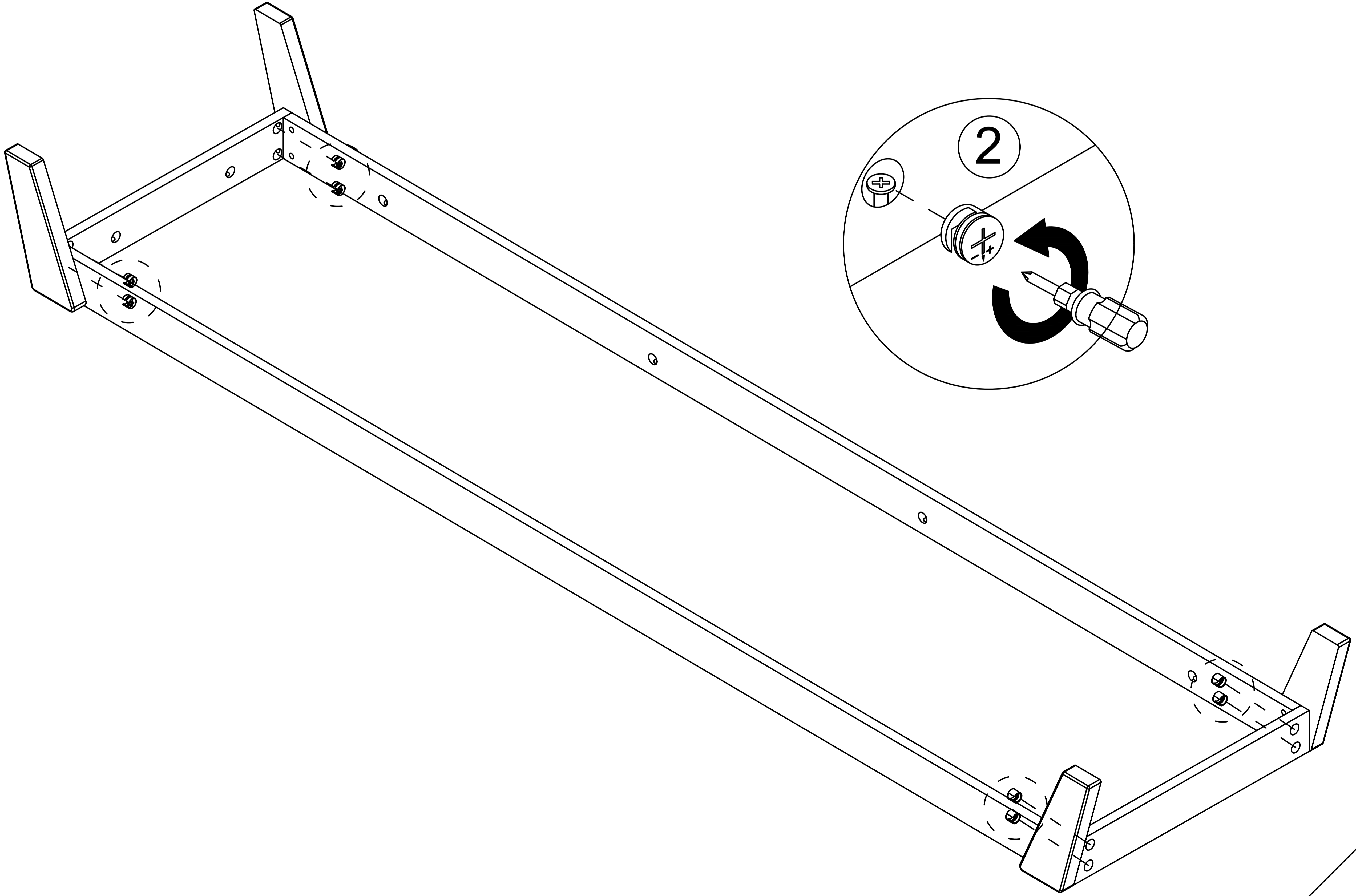
Steps and objects x2

Step 4



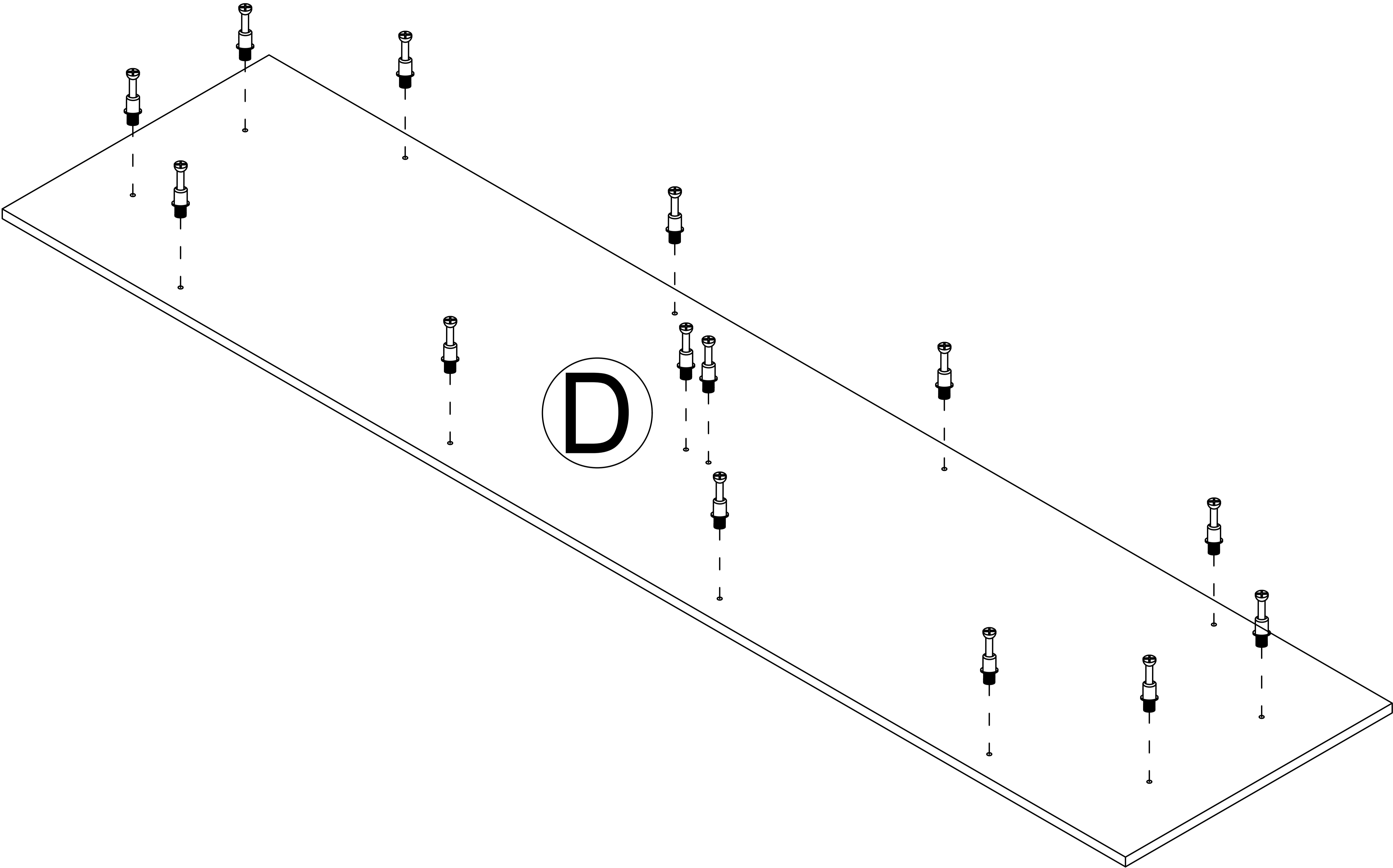
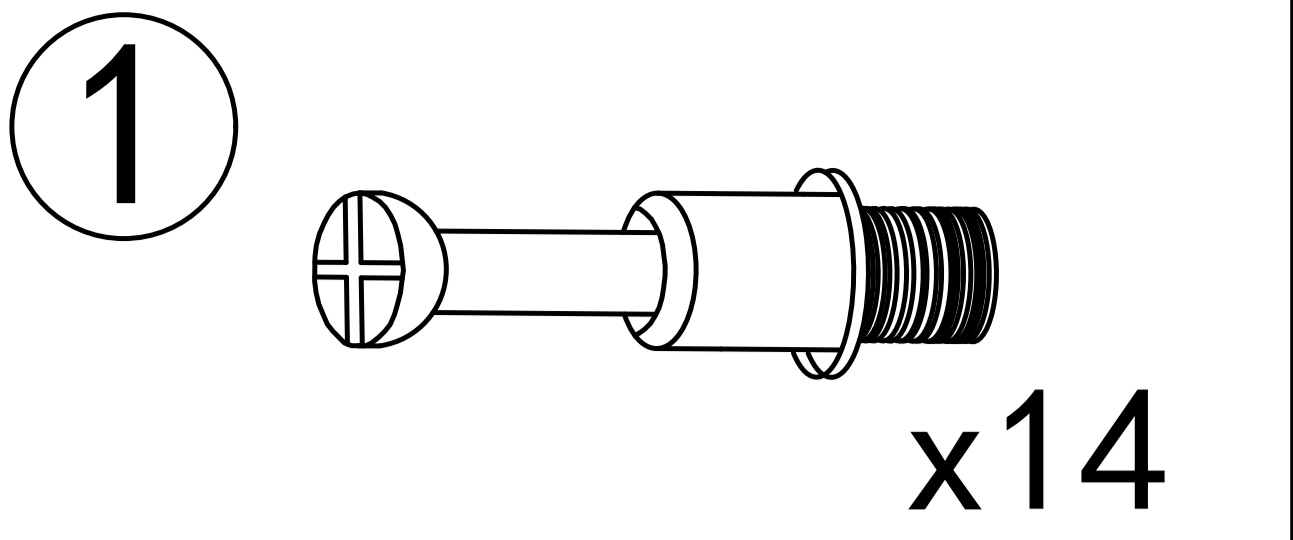
Step 5

2  x8

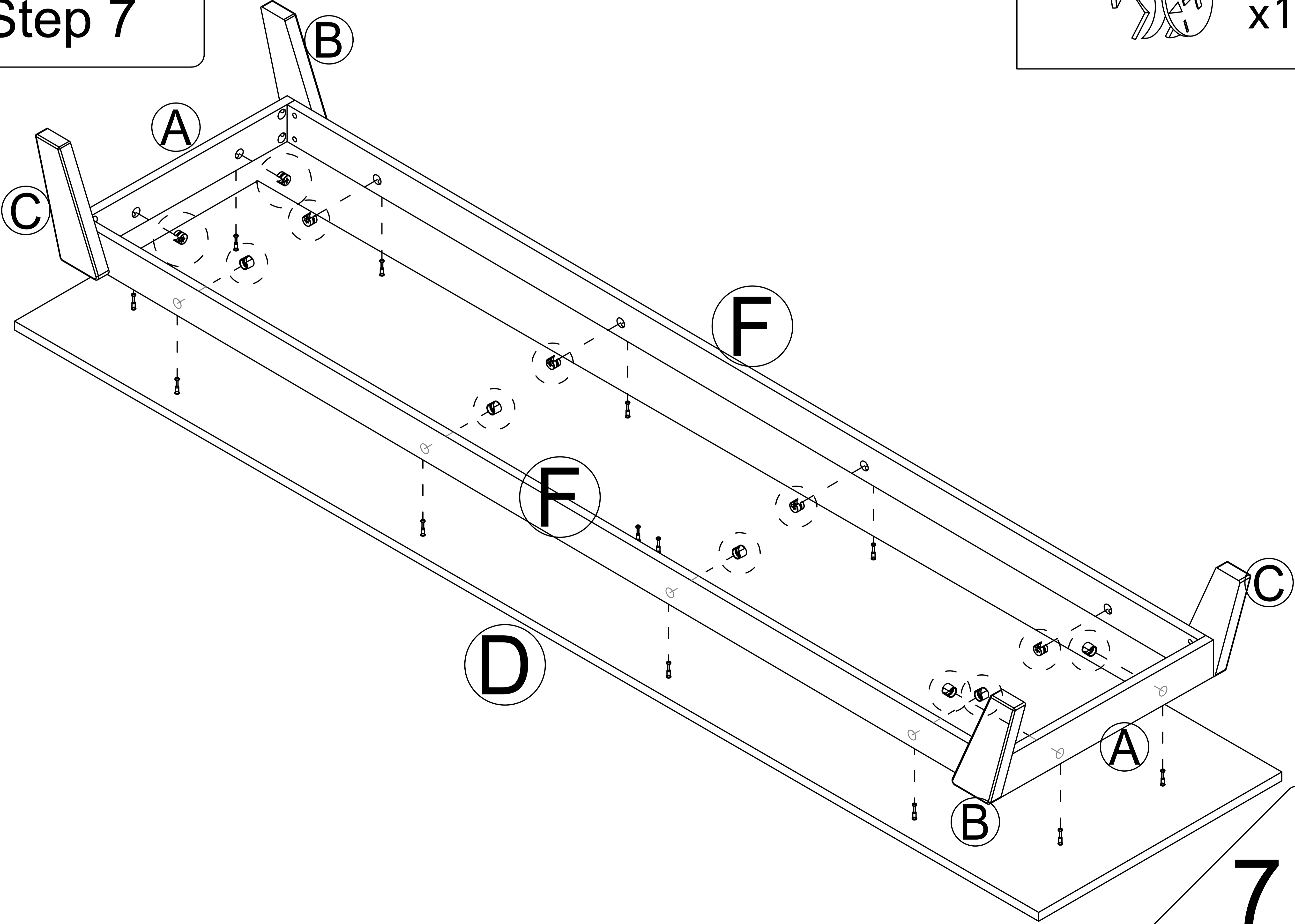
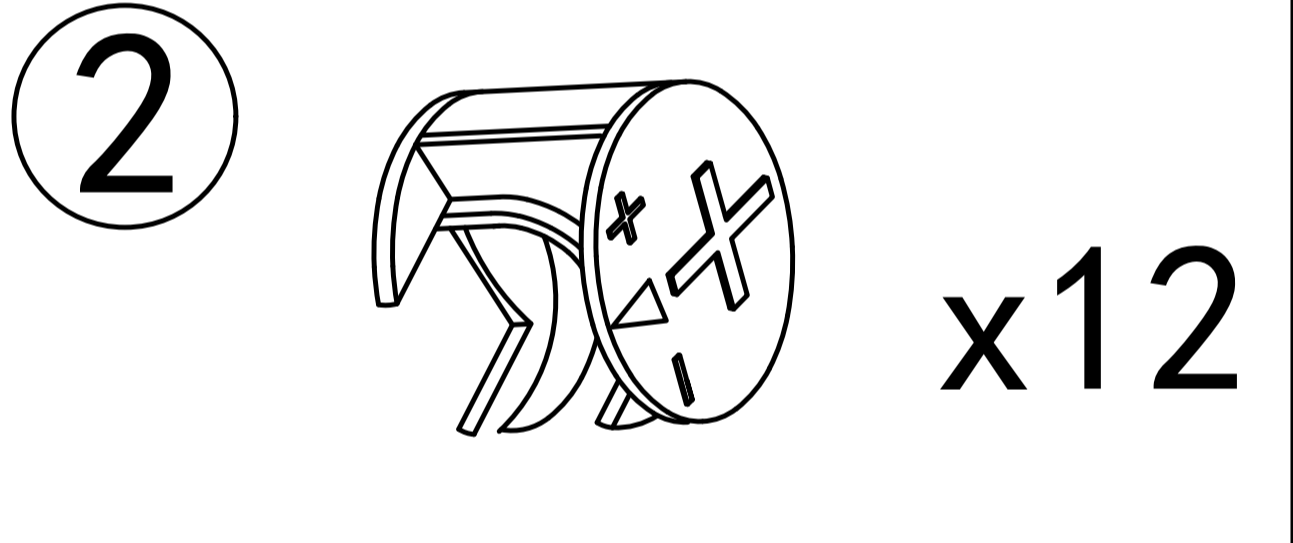


6

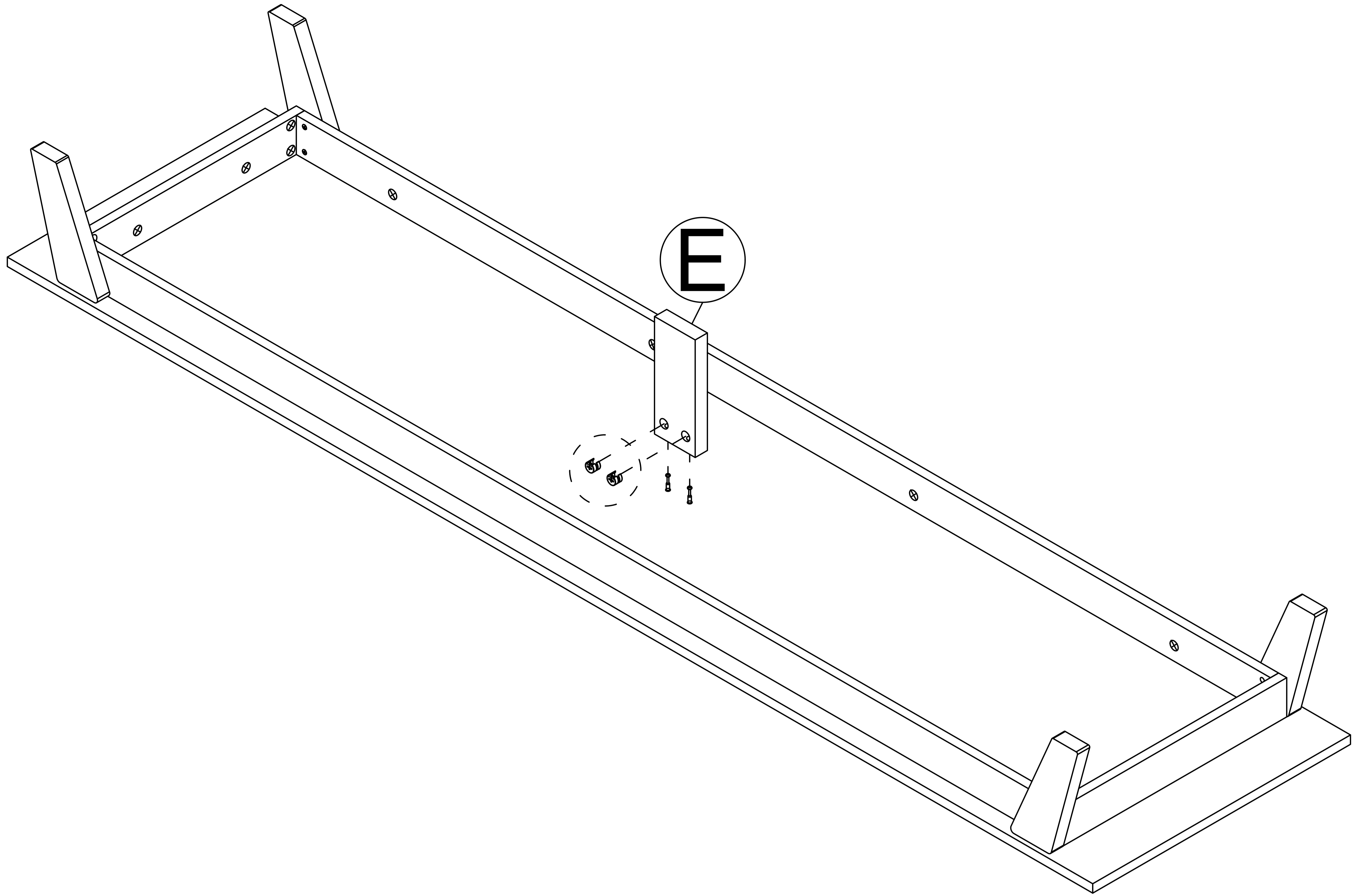
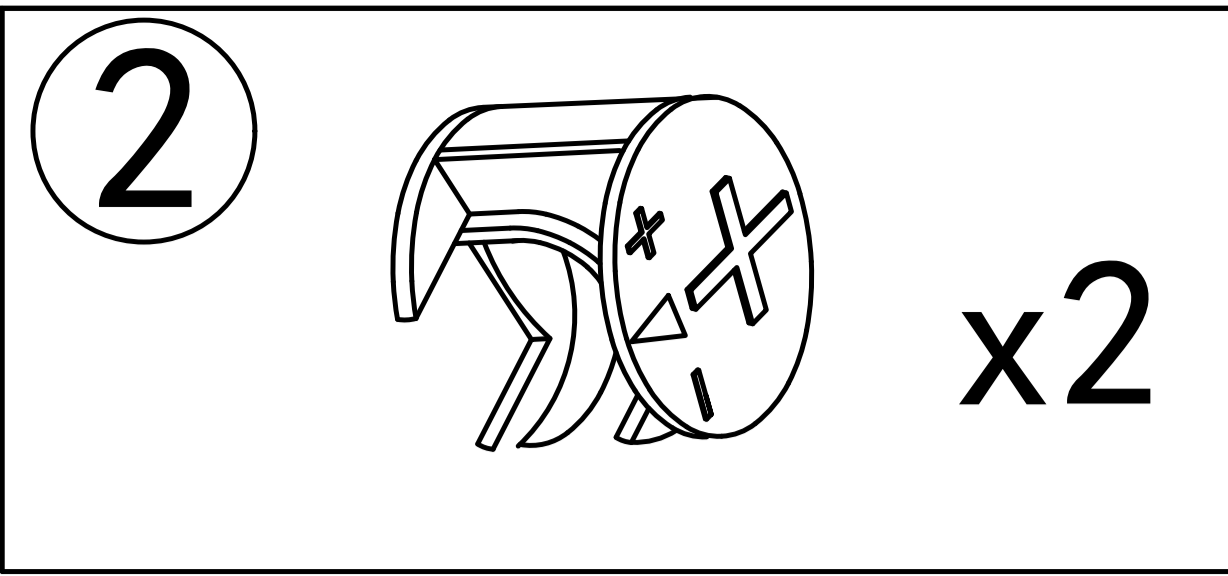
# Step 6



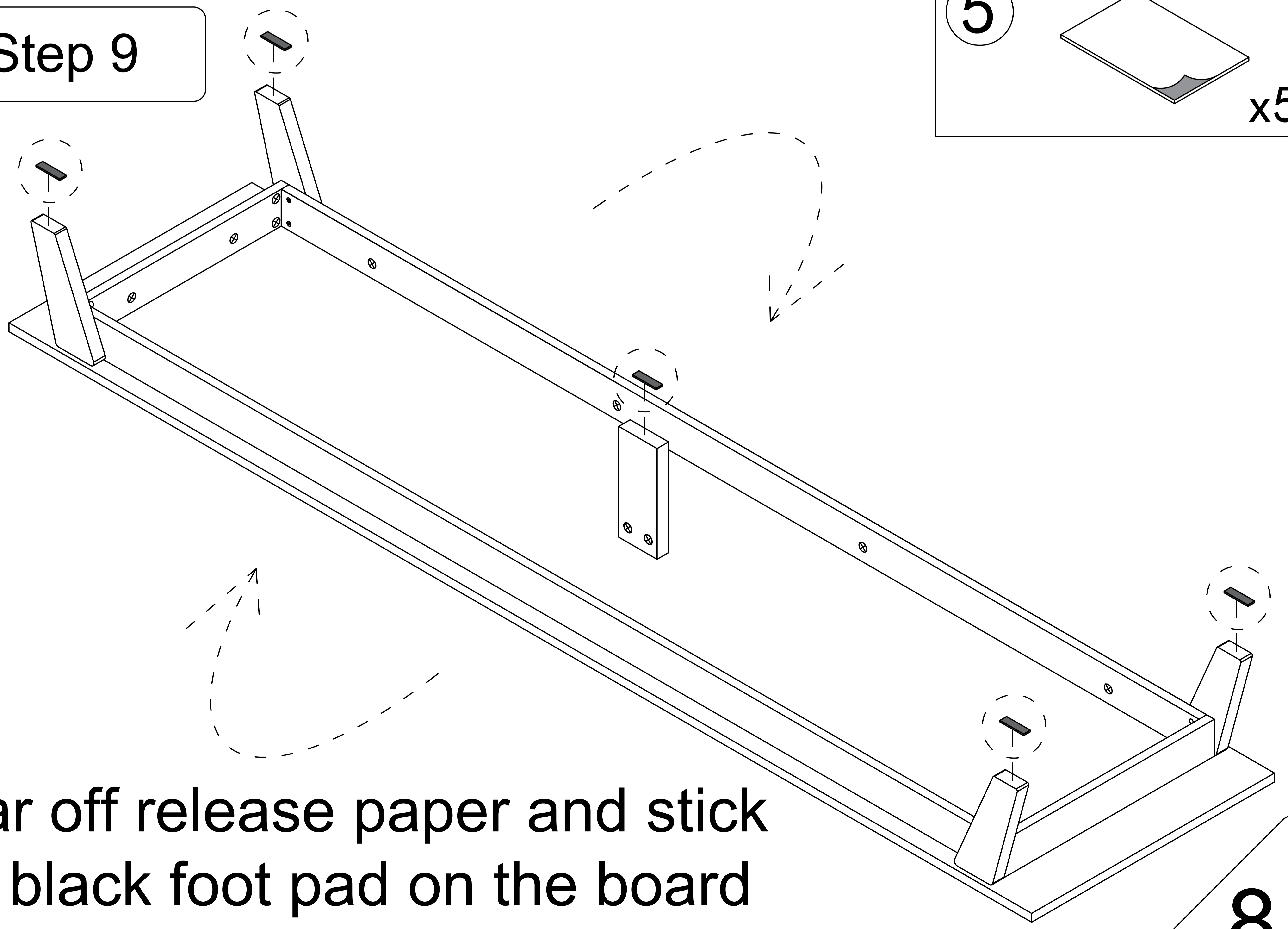
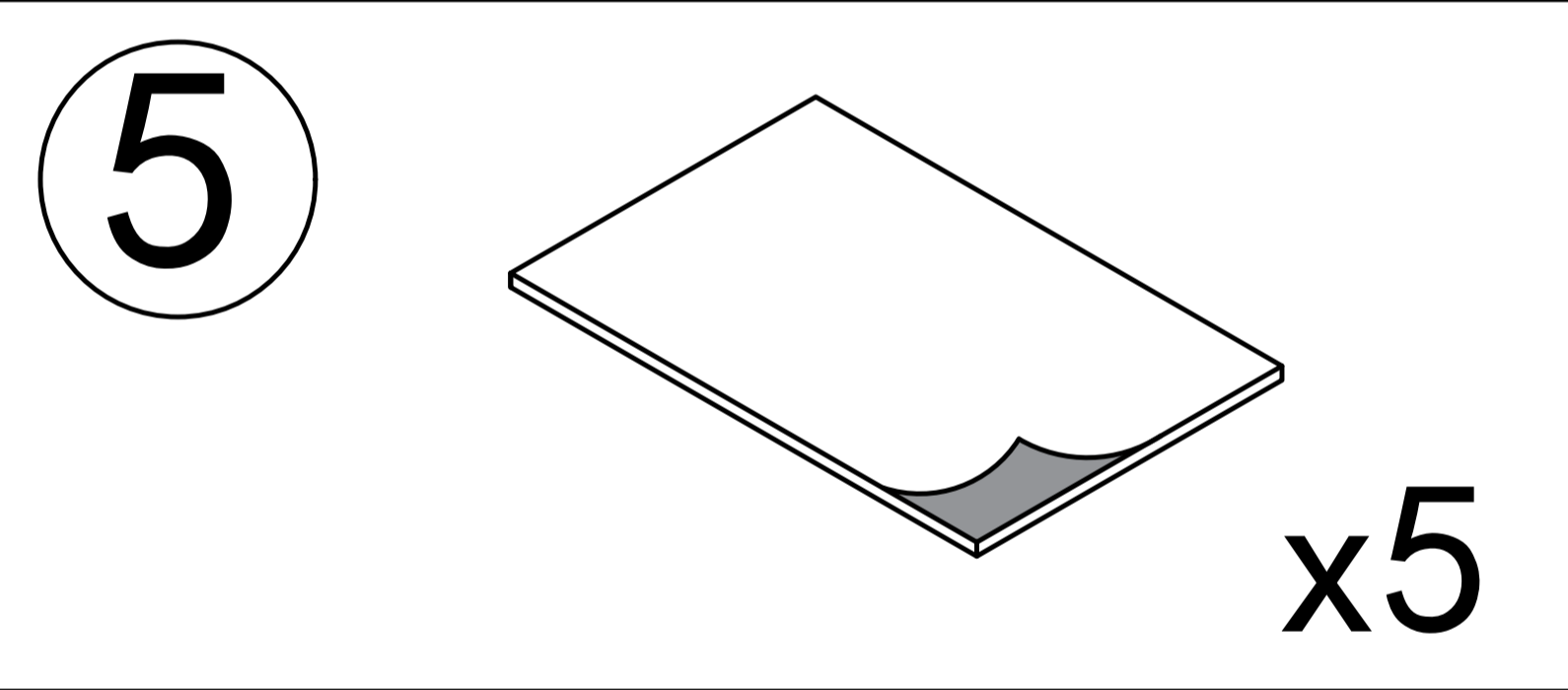
# Step 7



# Step 8

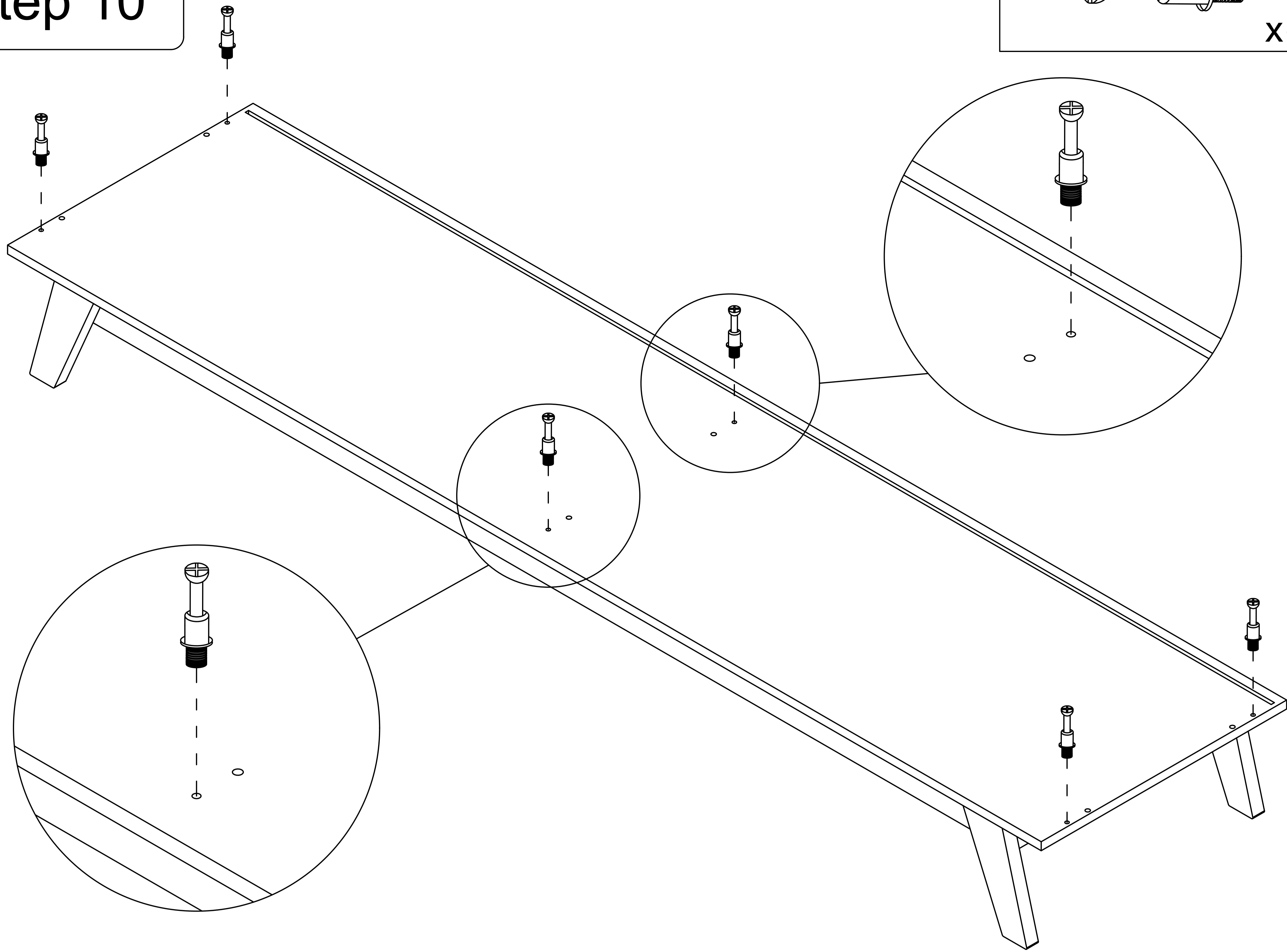
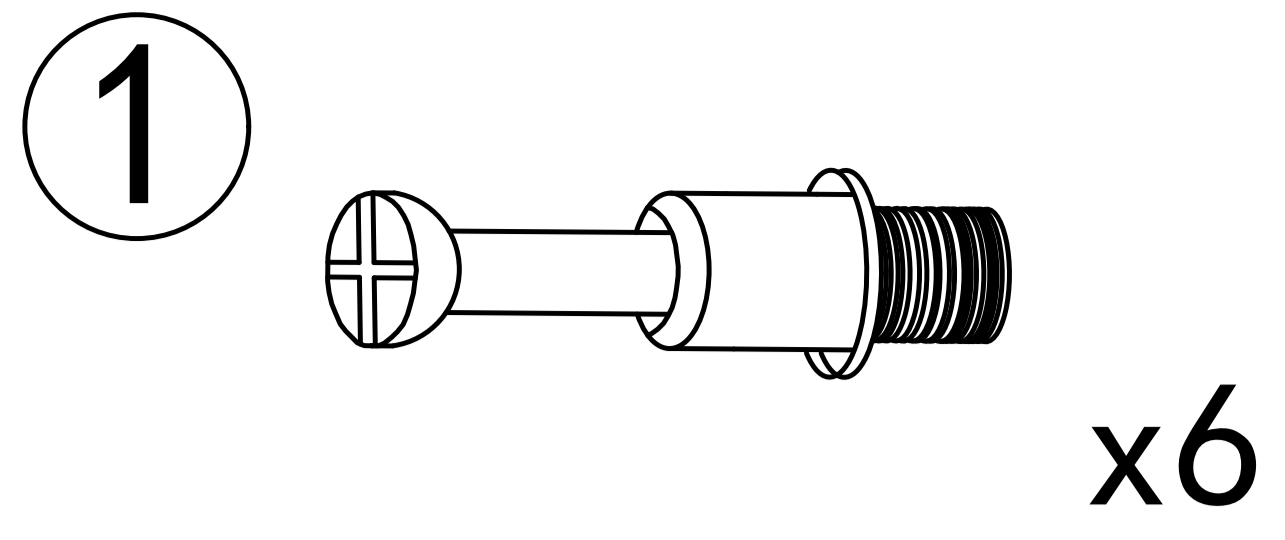


# Step 9

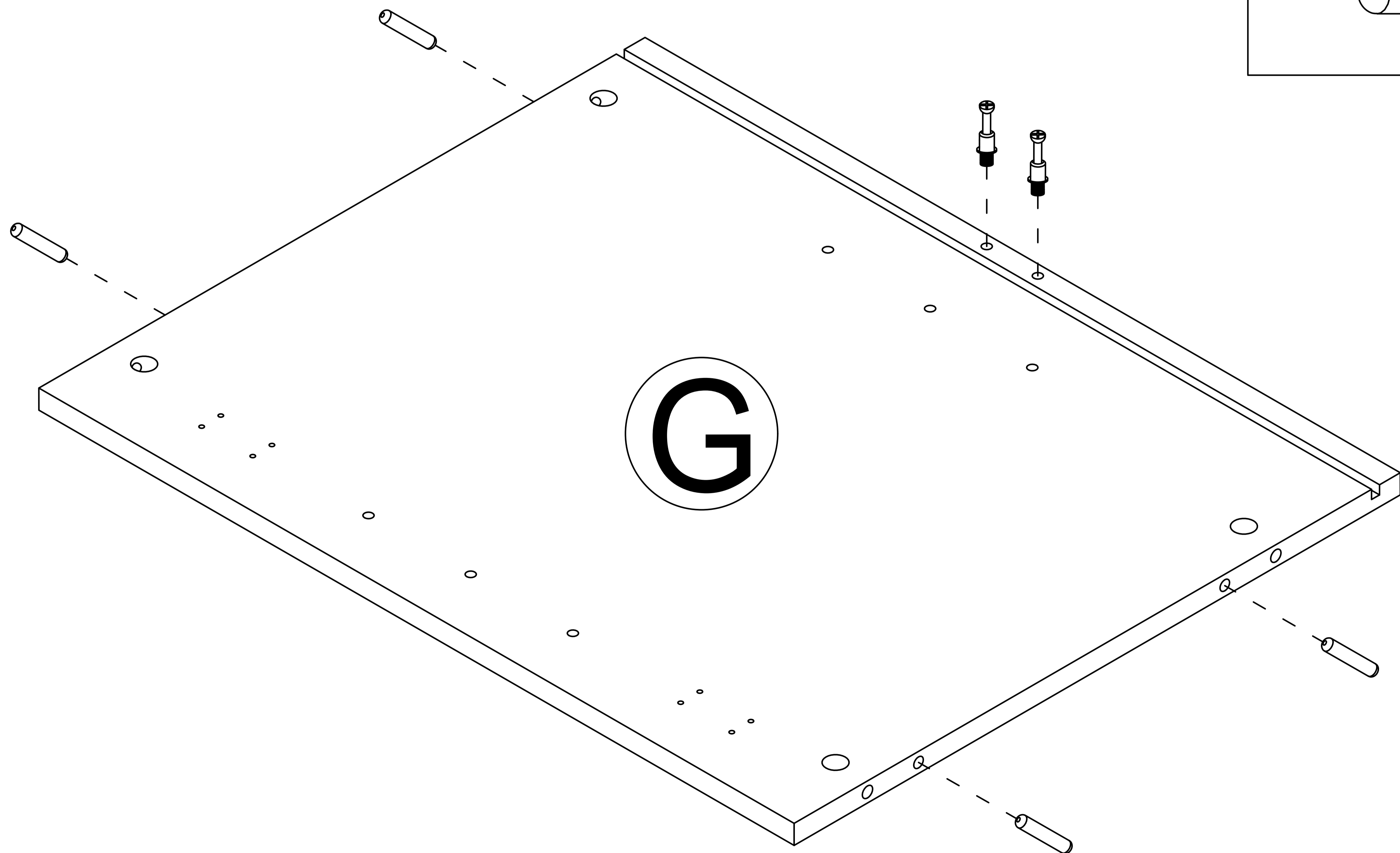
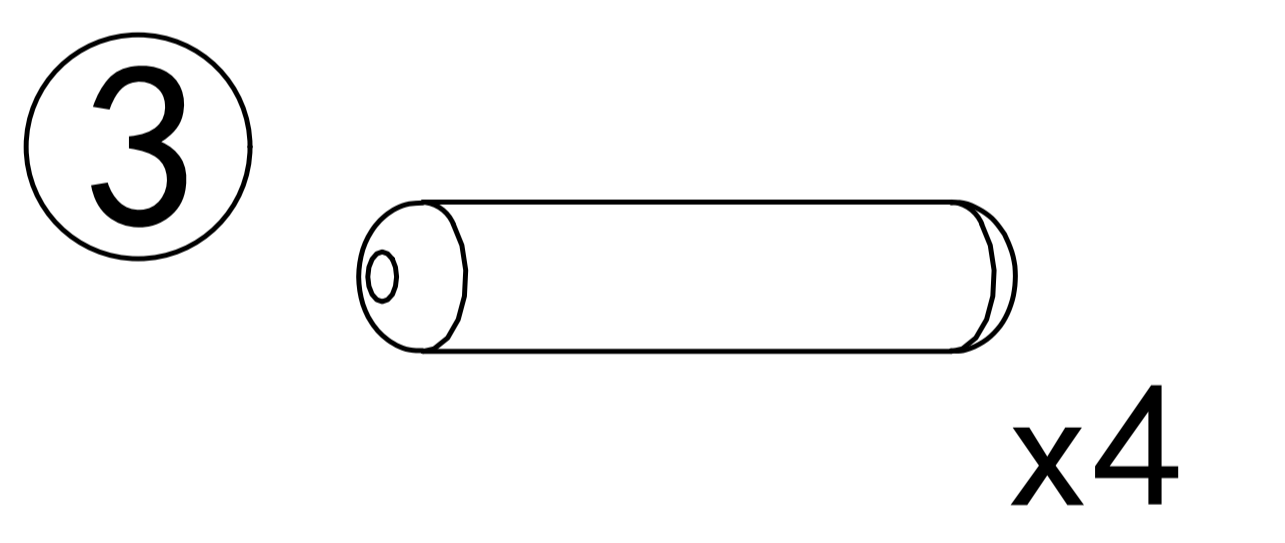
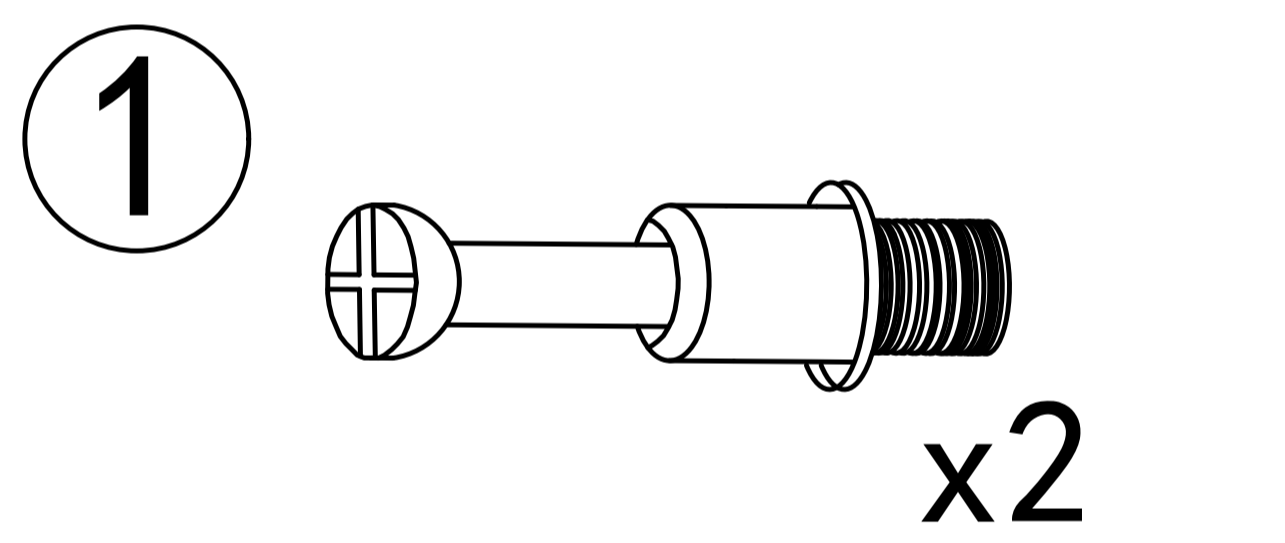


Tear off release paper and stick the black foot pad on the board

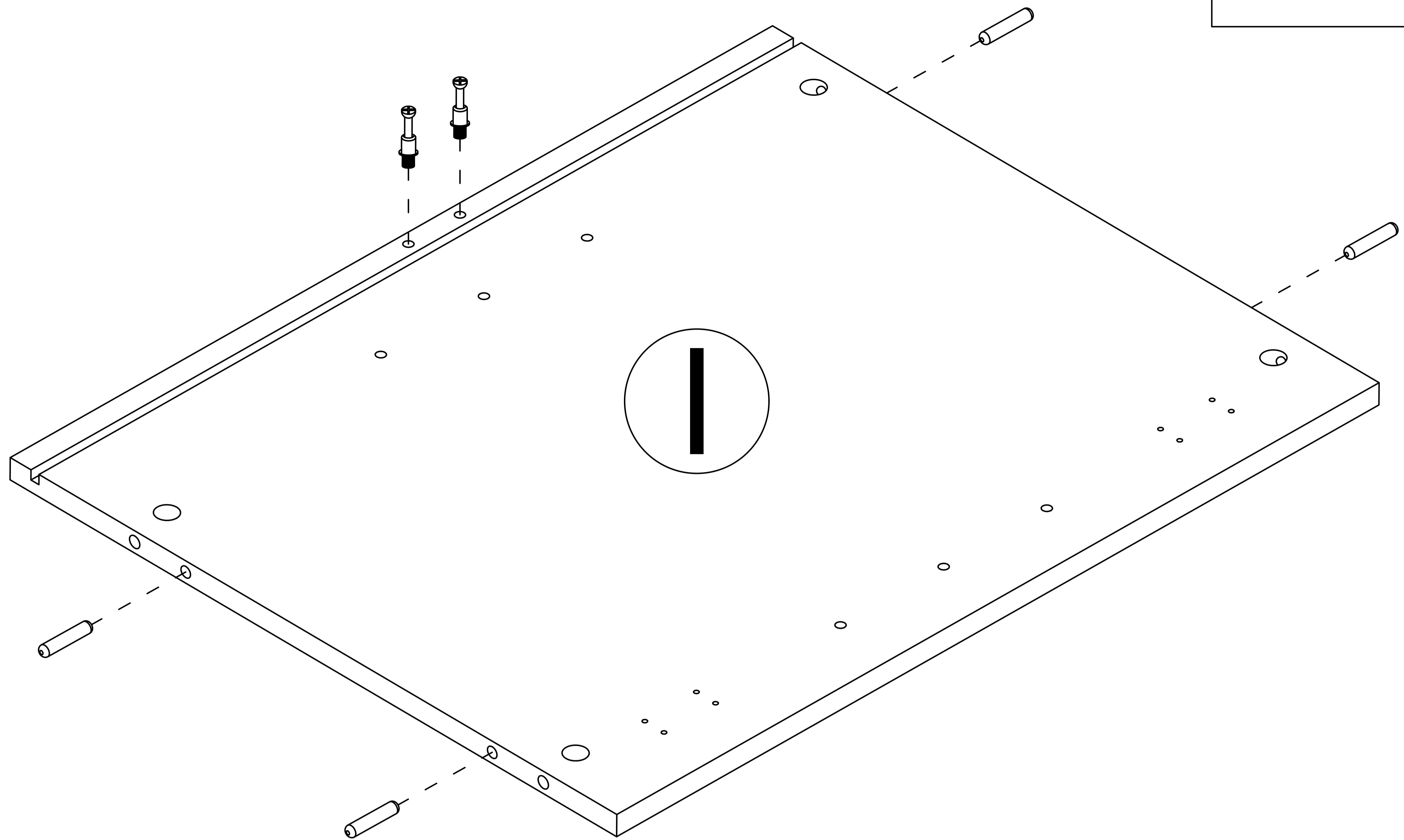
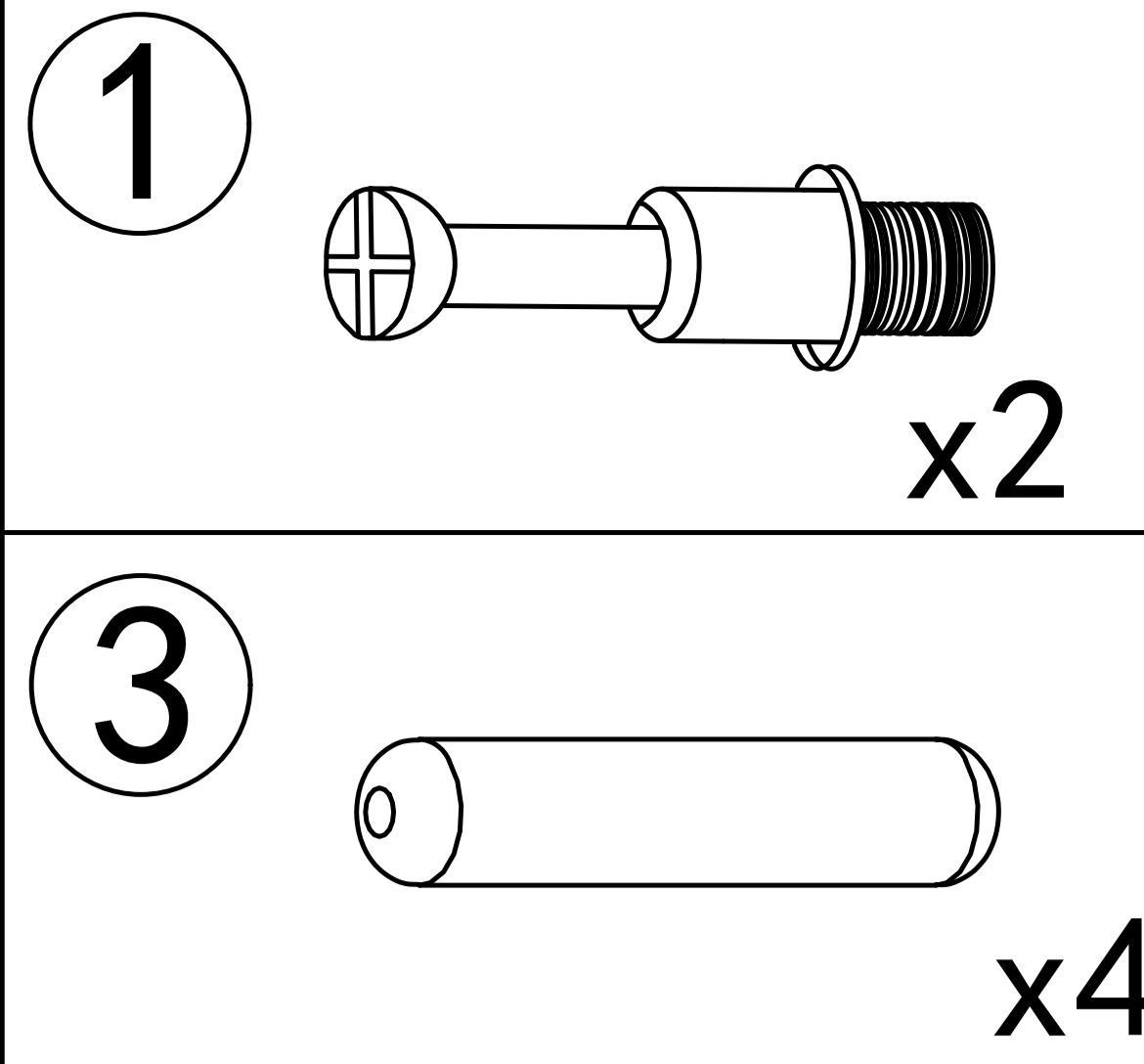
Step 10



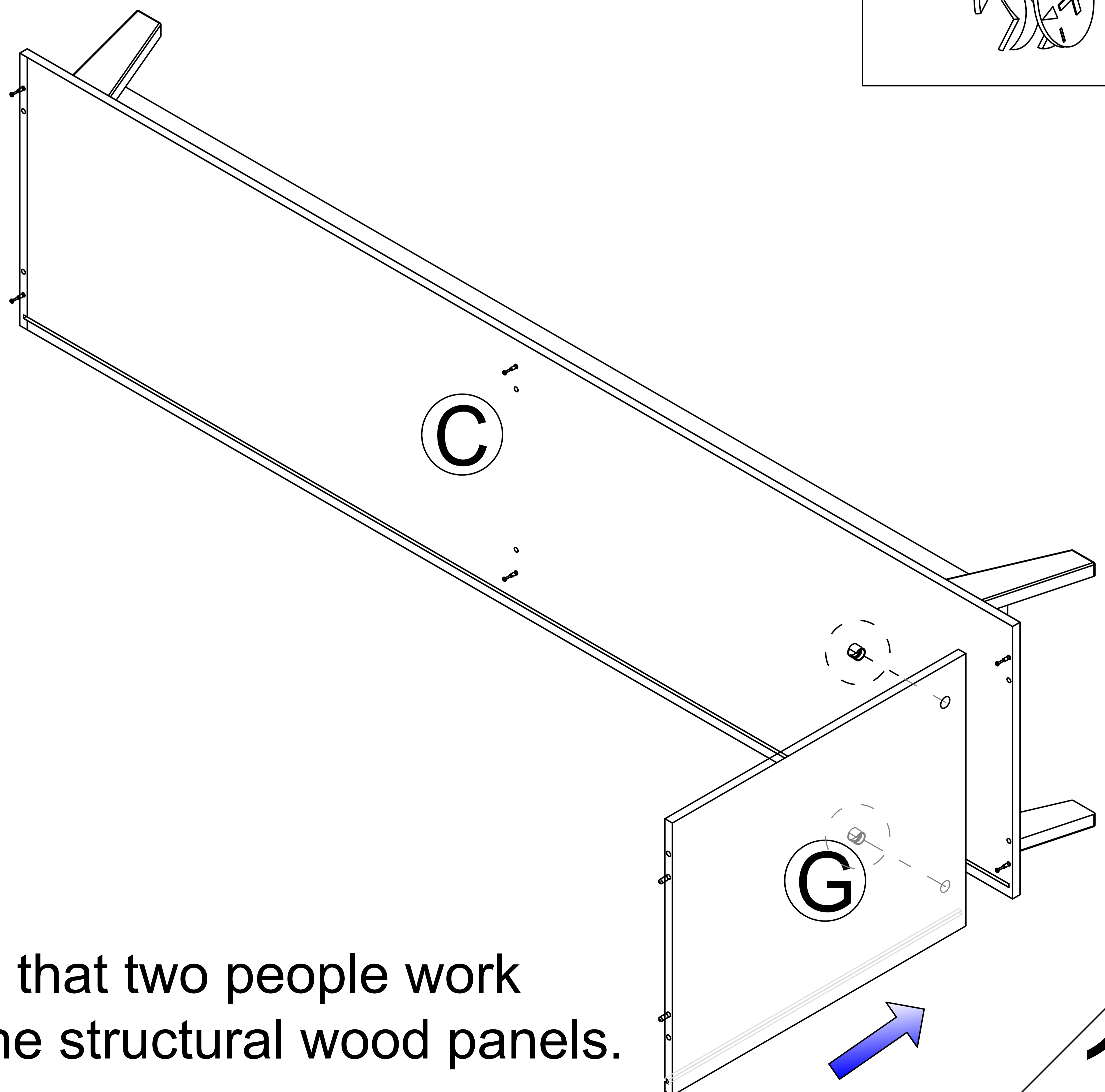
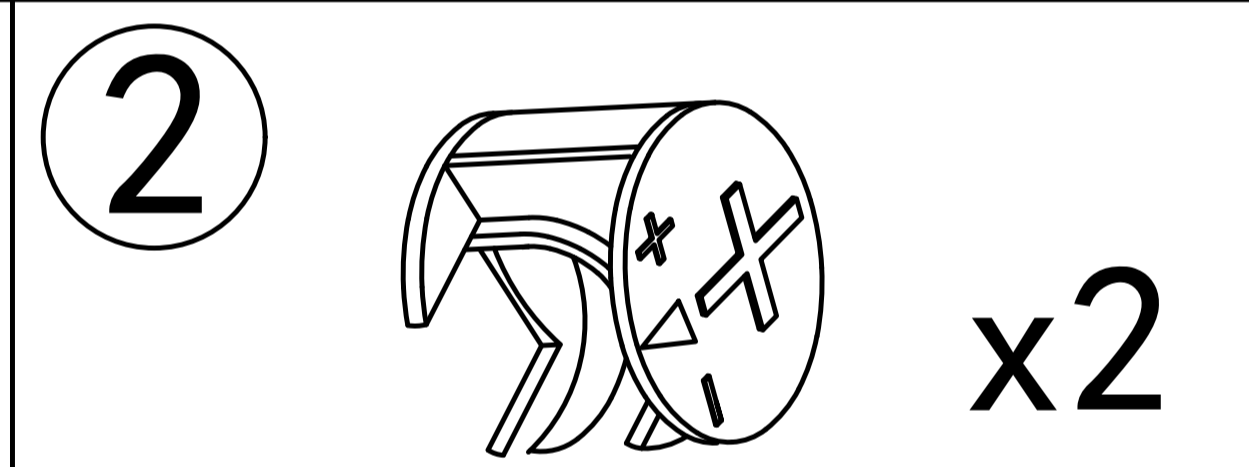
Step 11



## Step 12



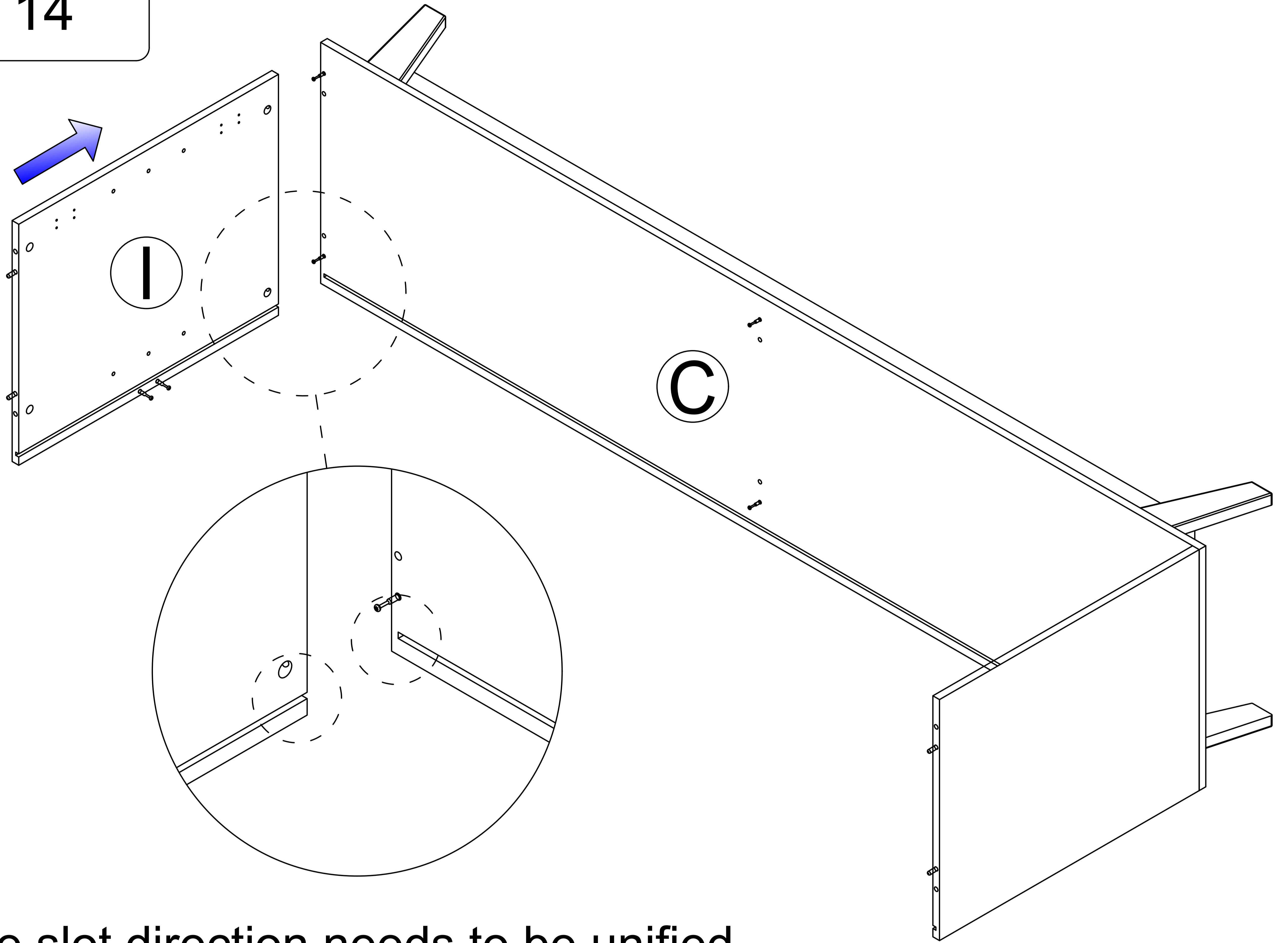
## Step 13



It is recommended that two people work together to install the structural wood panels.

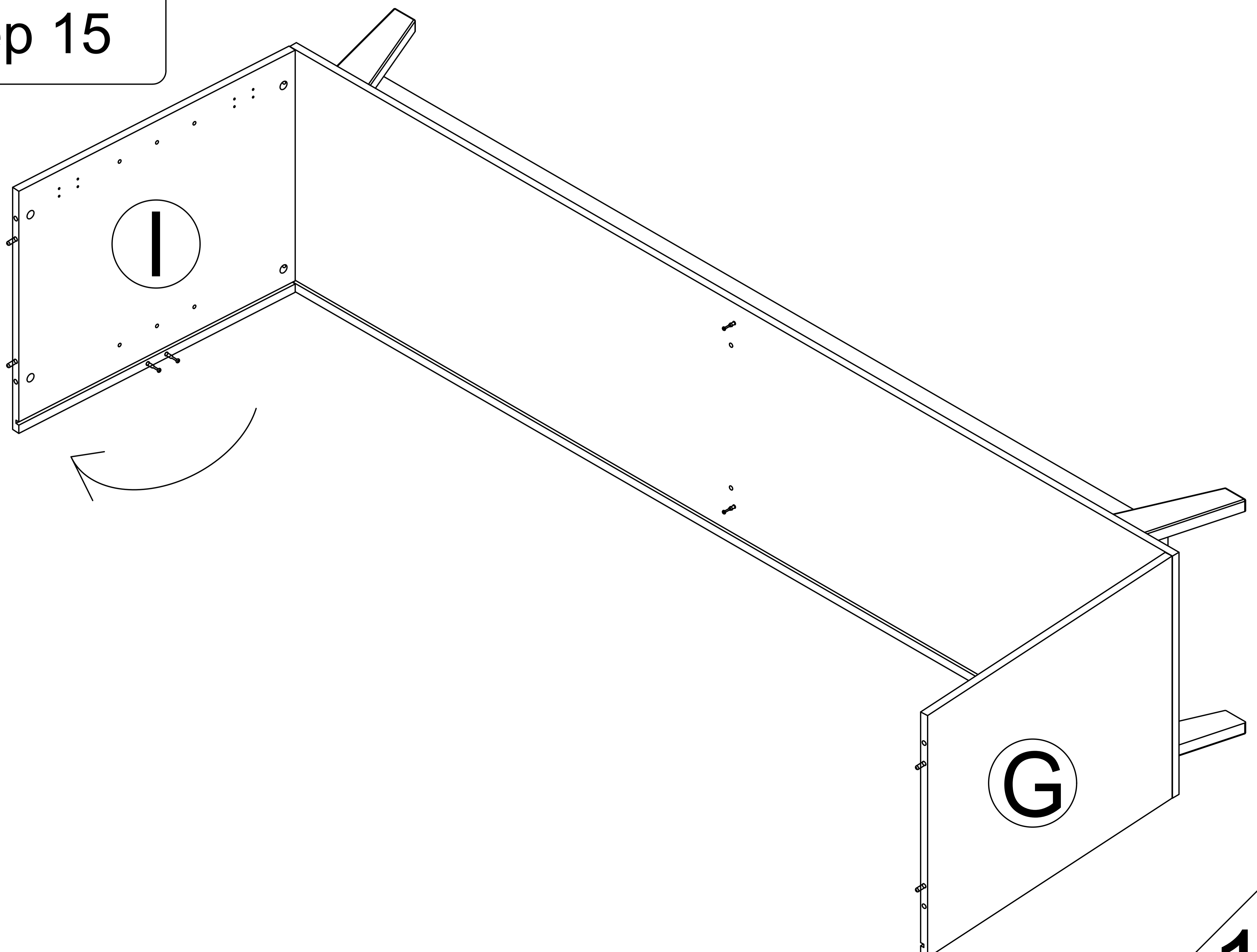
10

## Step 14



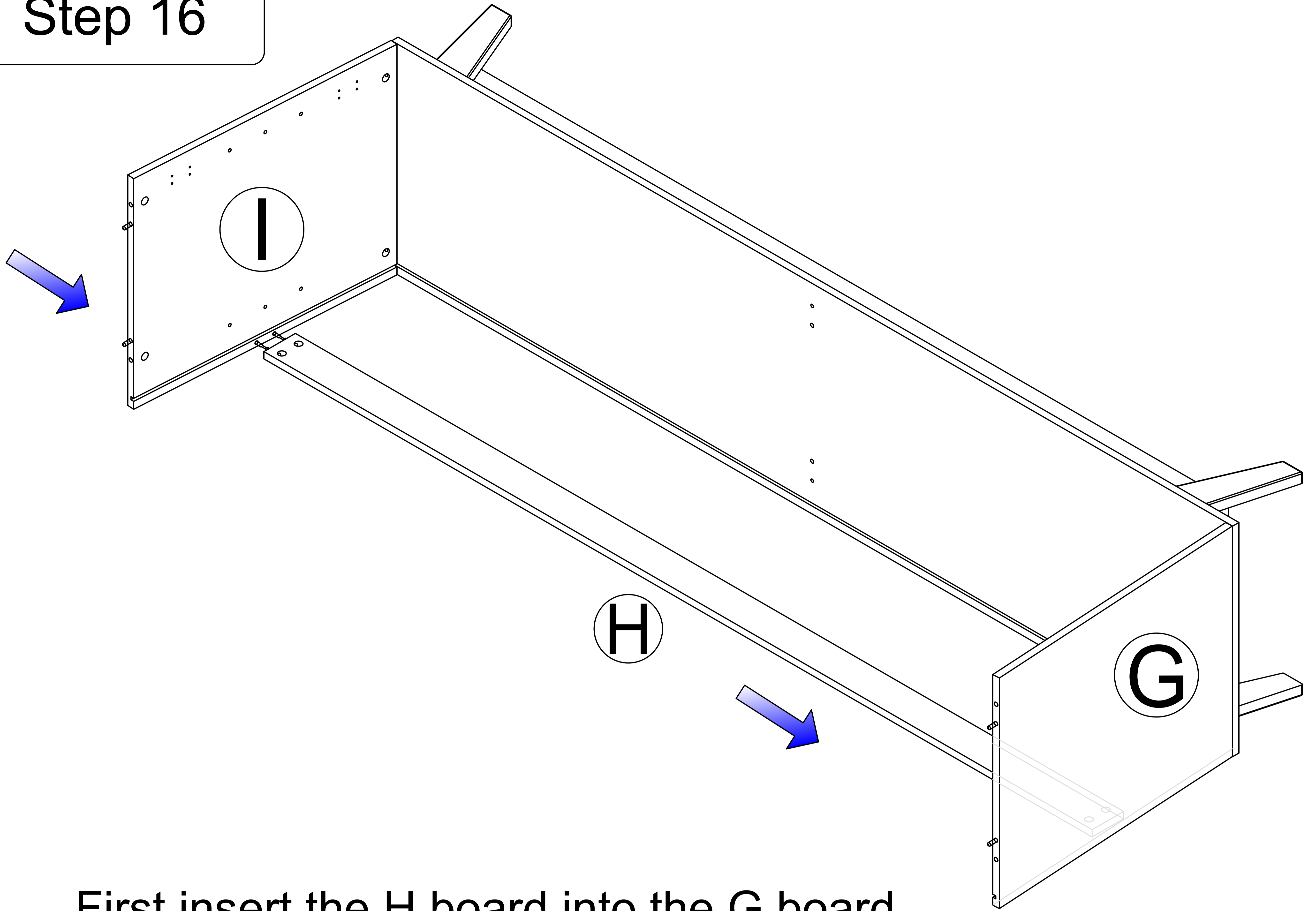
The slot direction needs to be unified.

## Step 15



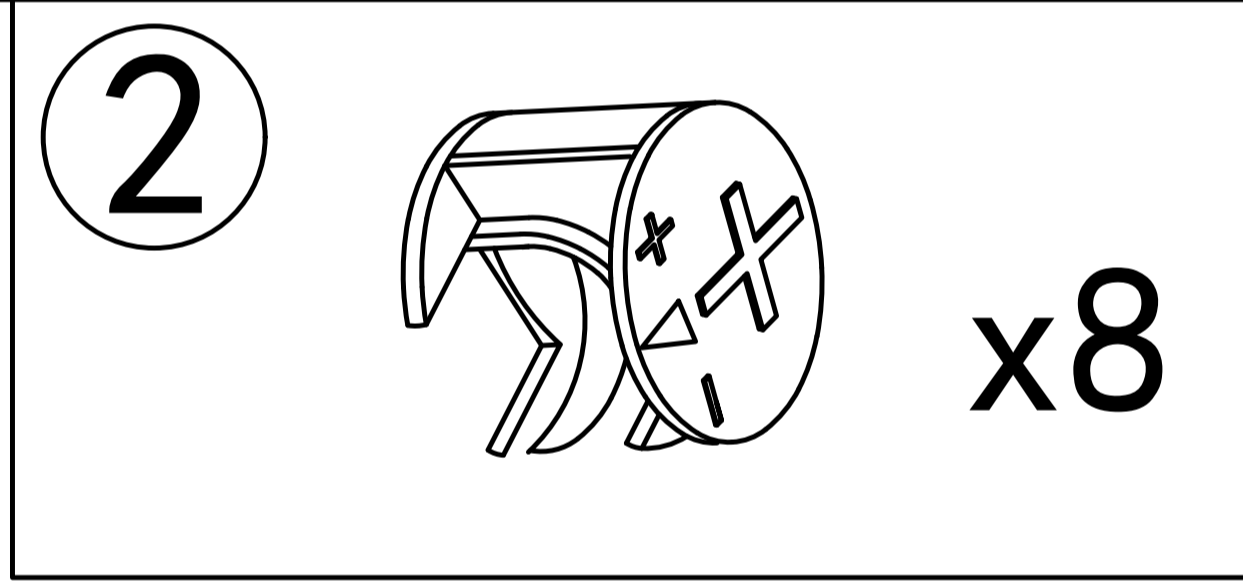
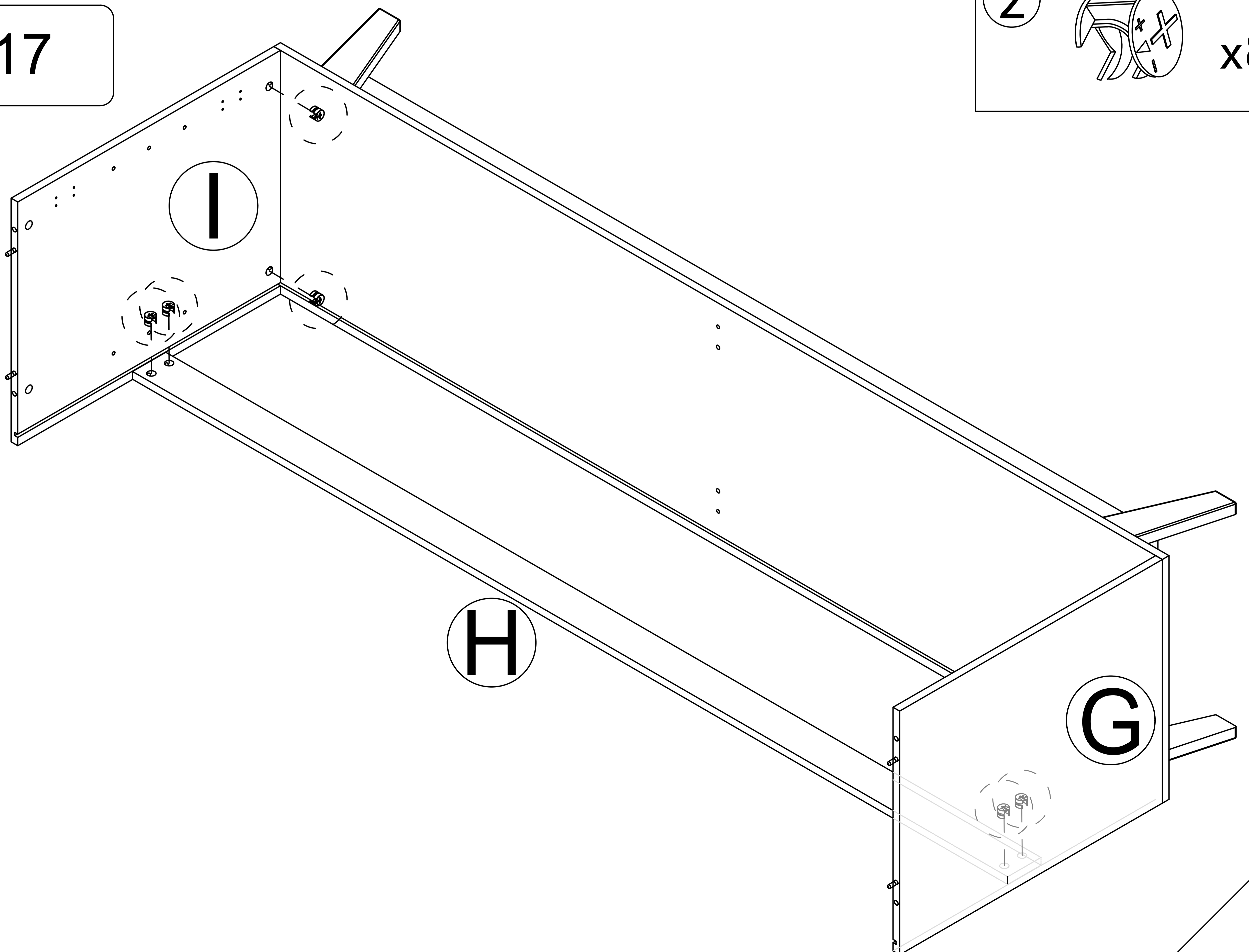
The "I" board need to be opened outward at a certain angle.

Step 16



First insert the H board into the G board

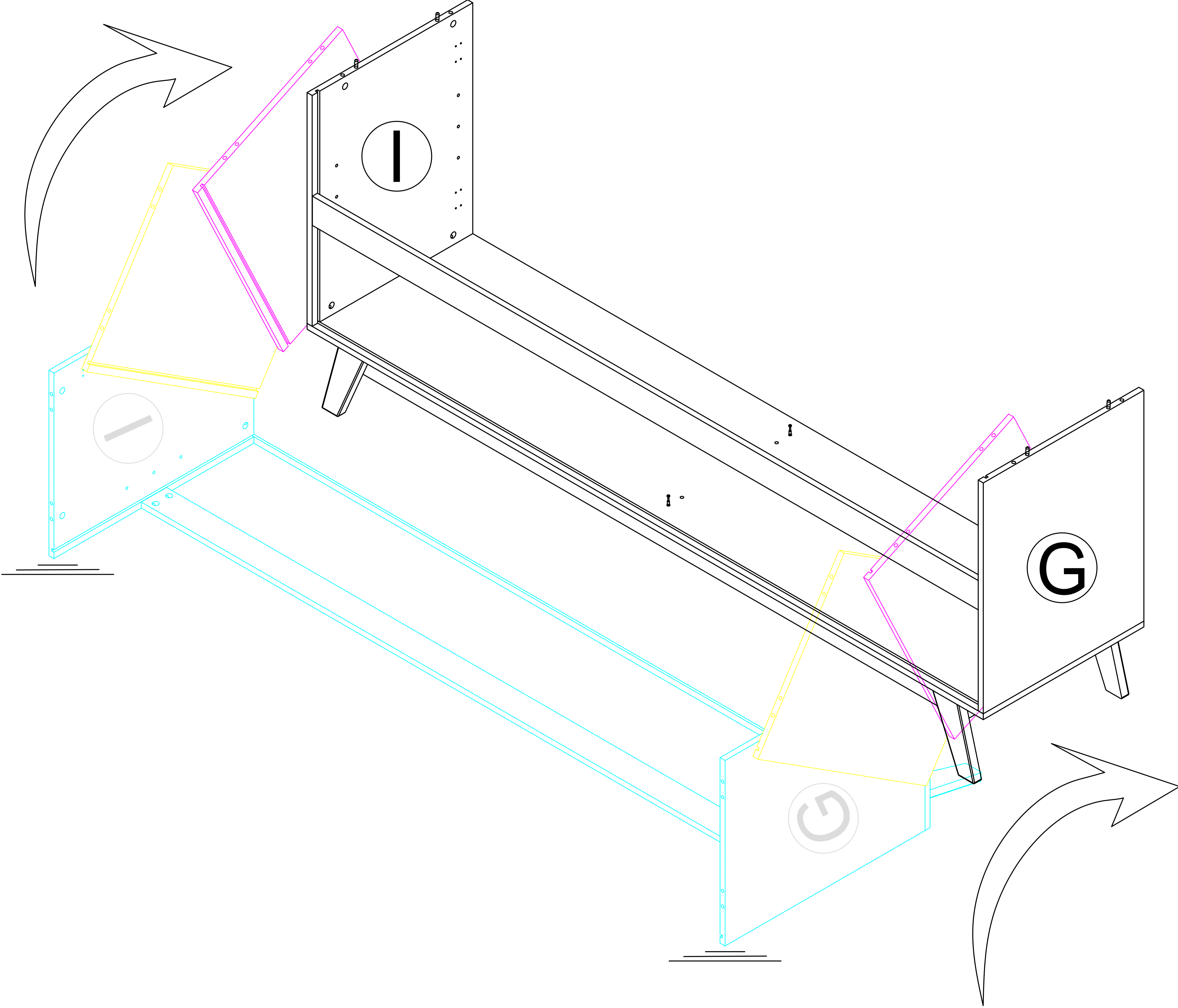
Step 17



Then insert the H board into the I board and lock both sides

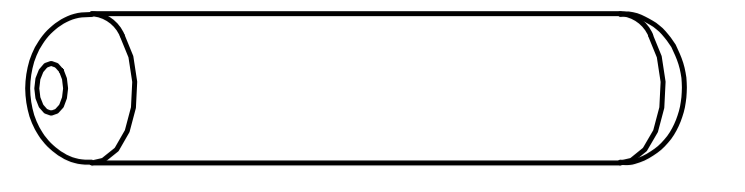
Step 18

This step need two people to operate and hold on it together

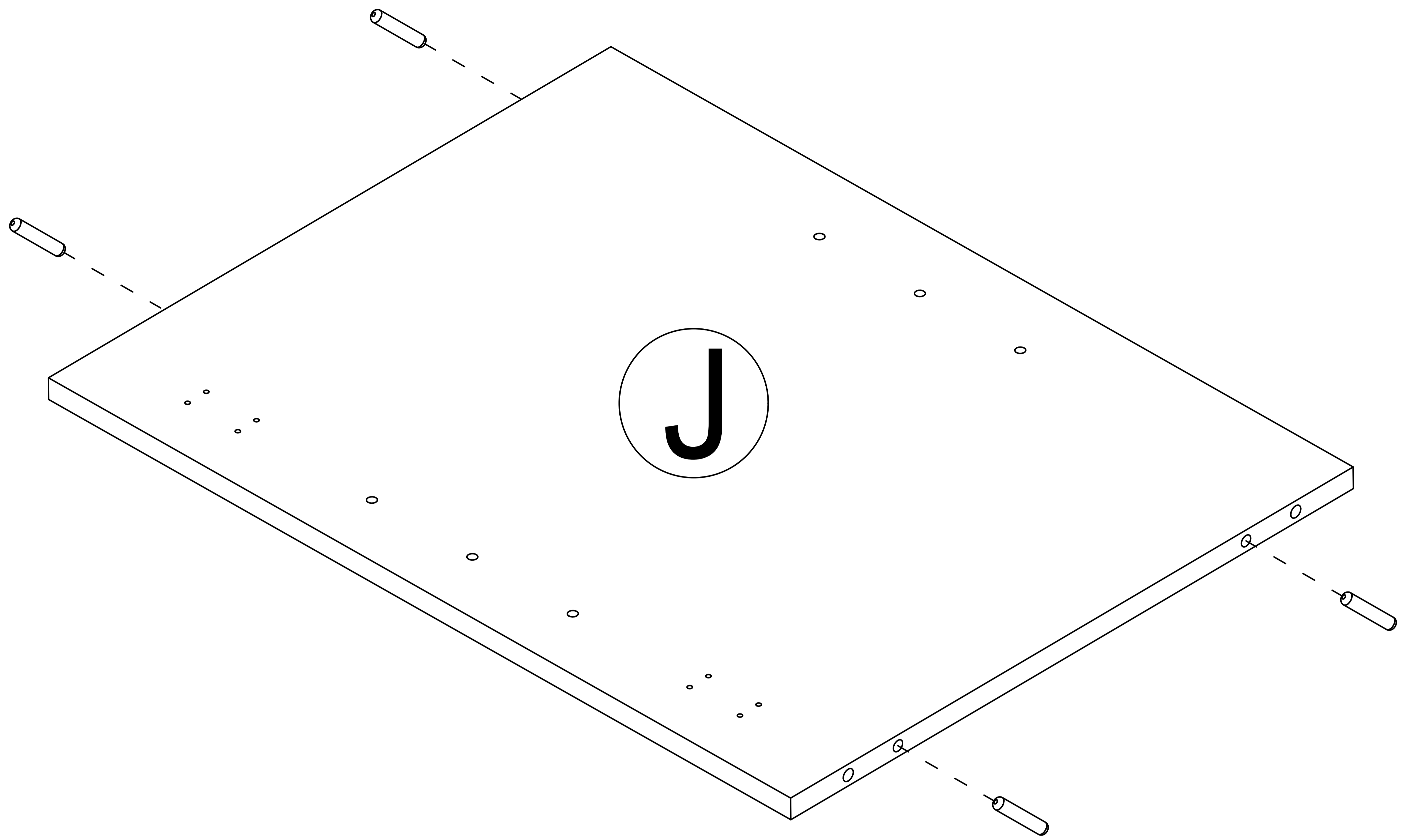


# Step 19

3

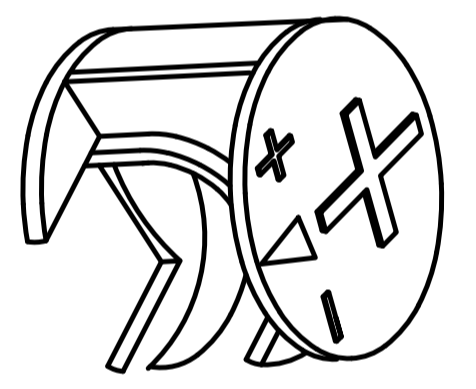


x4

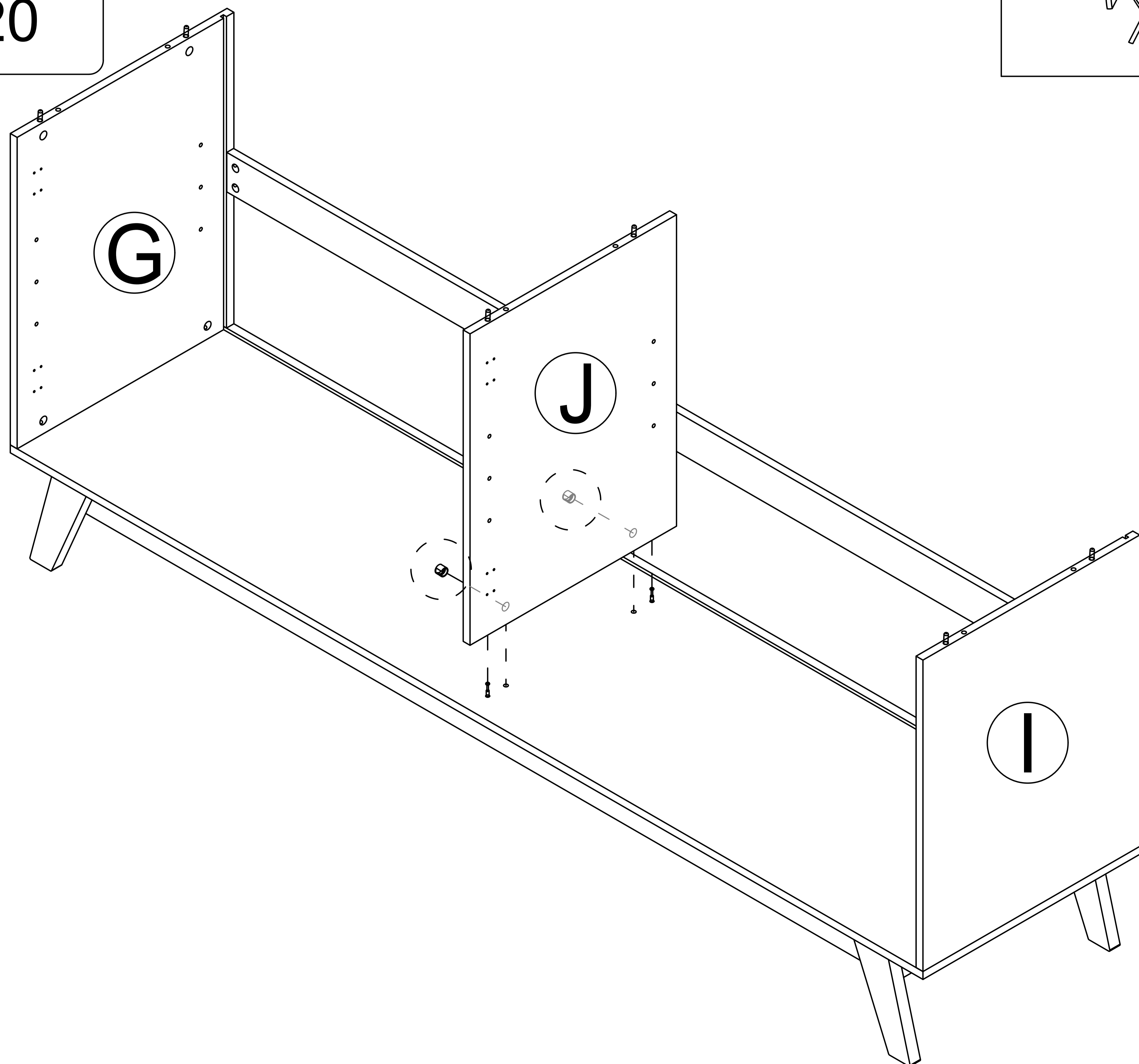


# Step 20

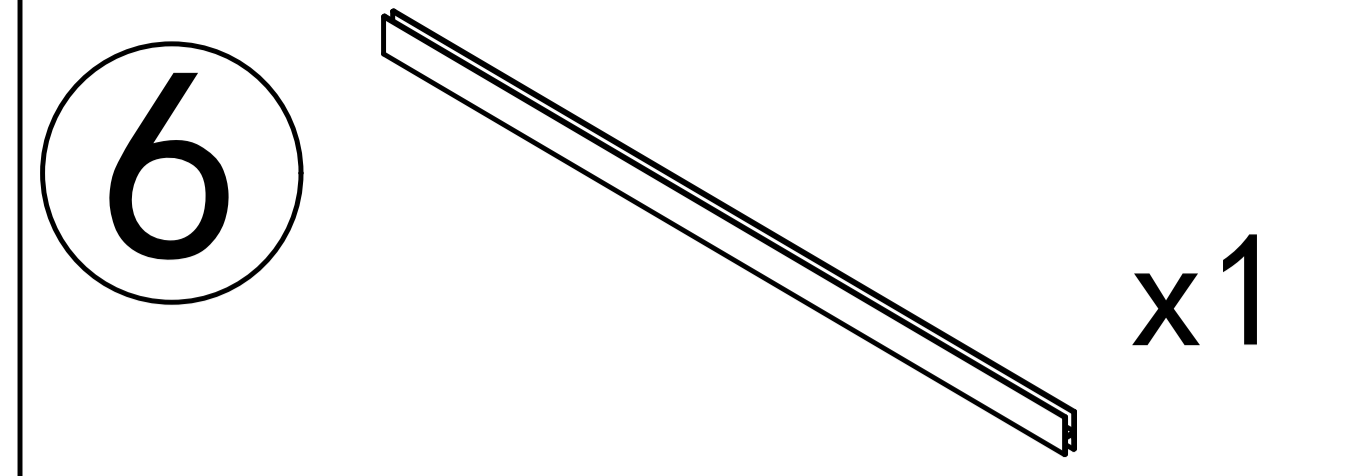
2



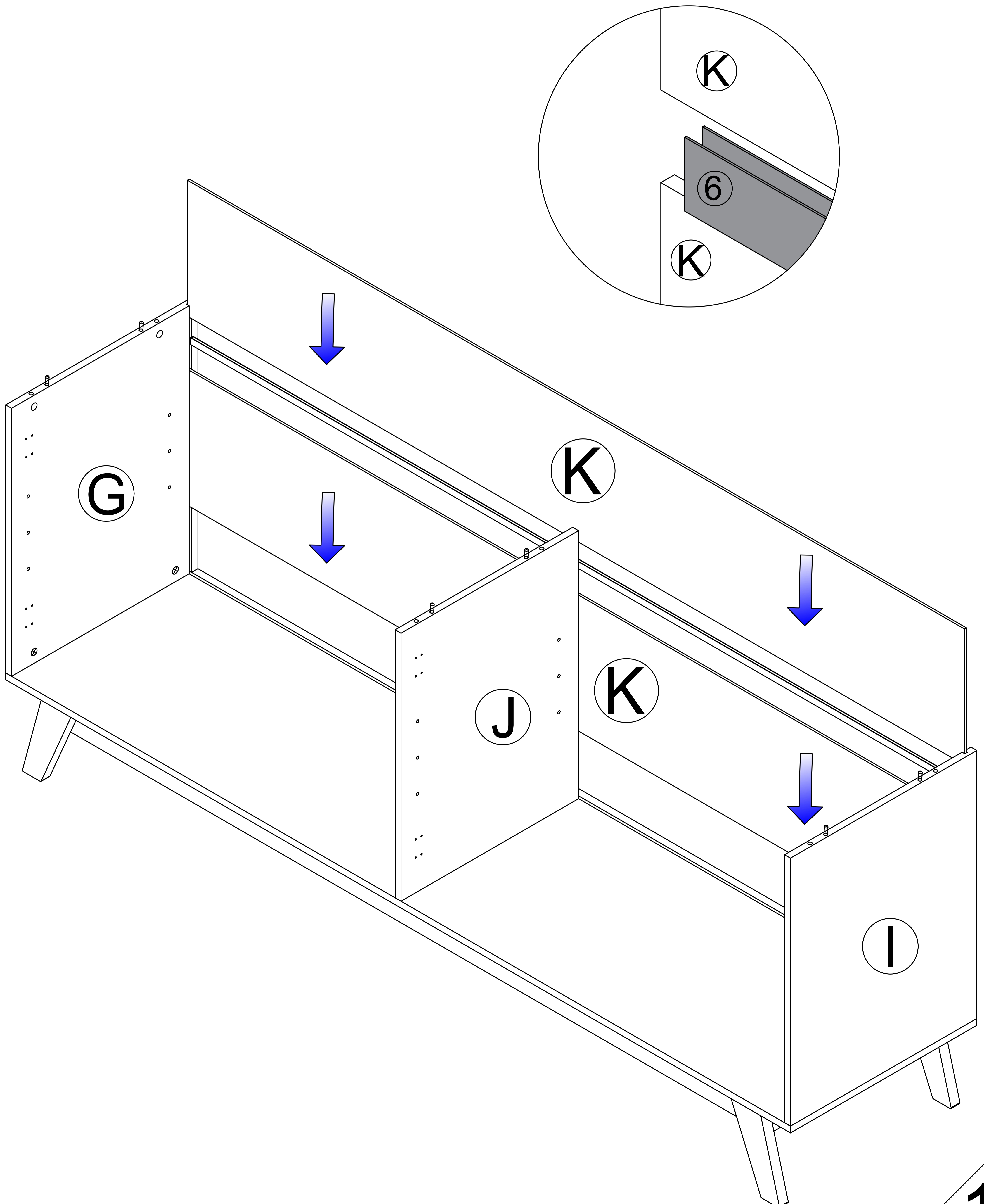
x2



Step 21

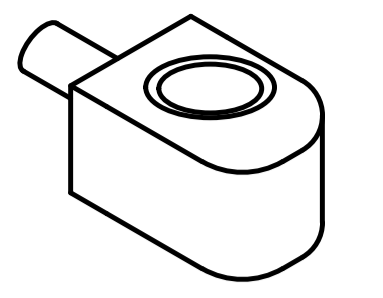


Place the "K" board, Backboard card strip, and "K" board in order

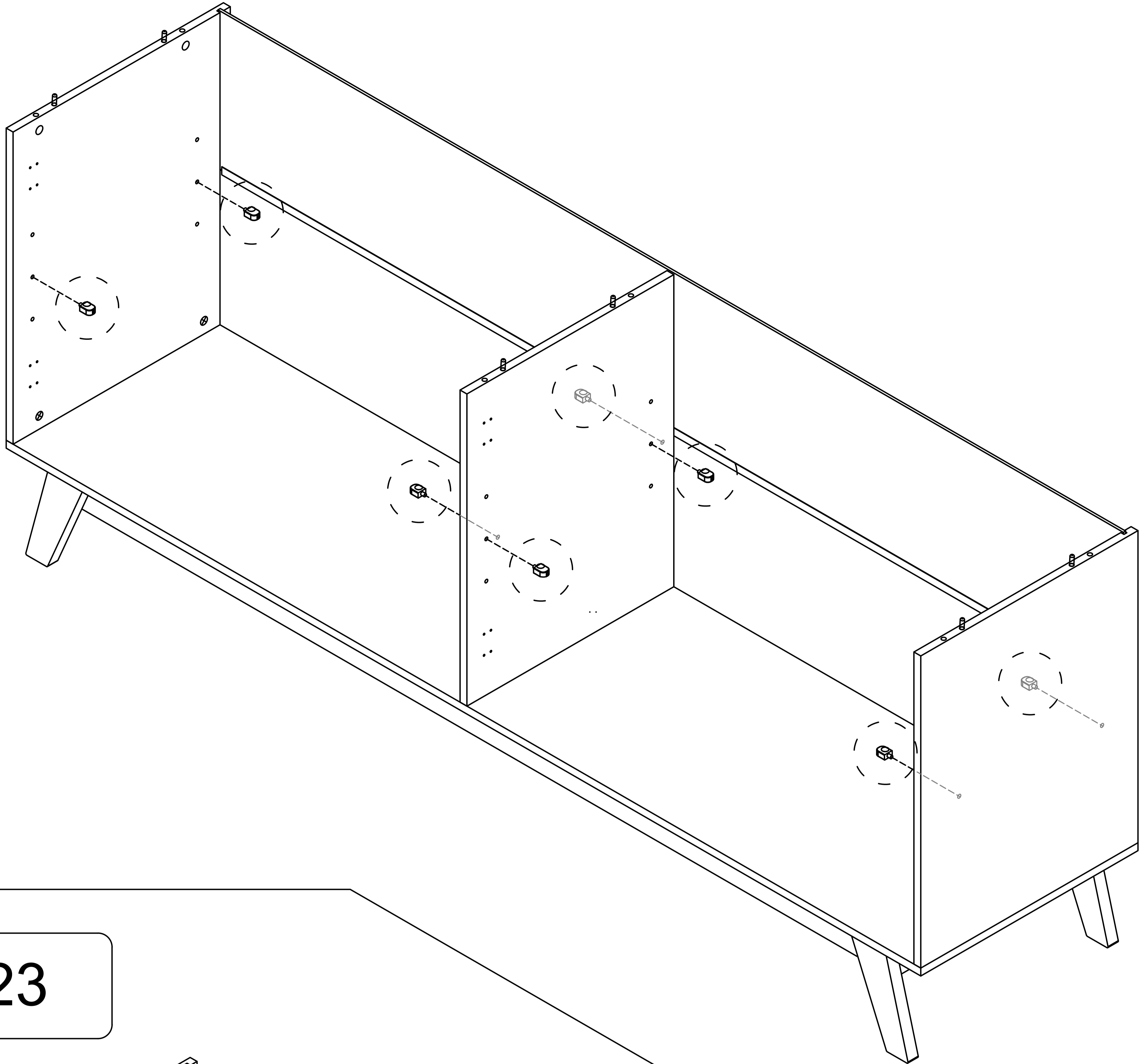


# Step 22

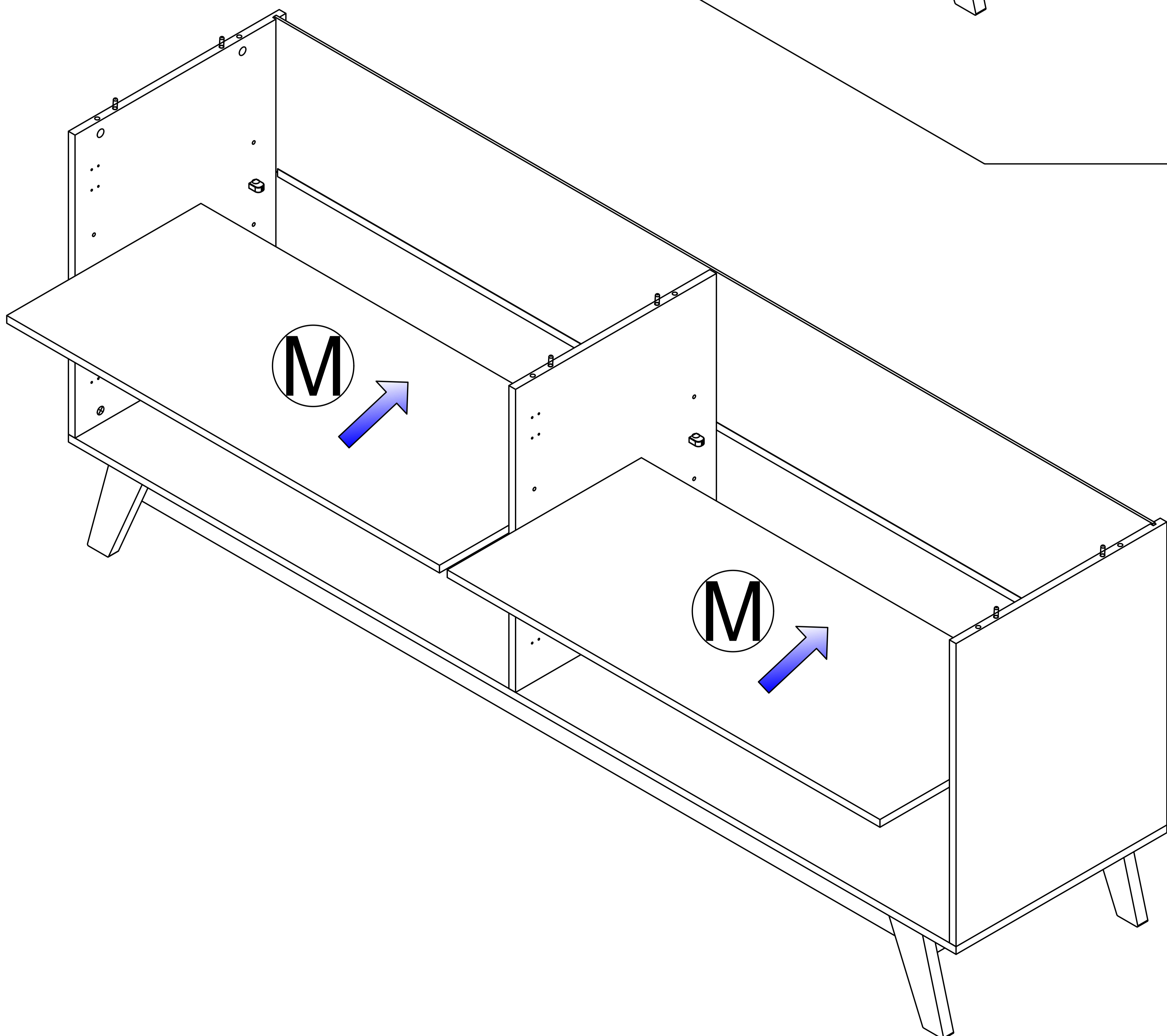
7



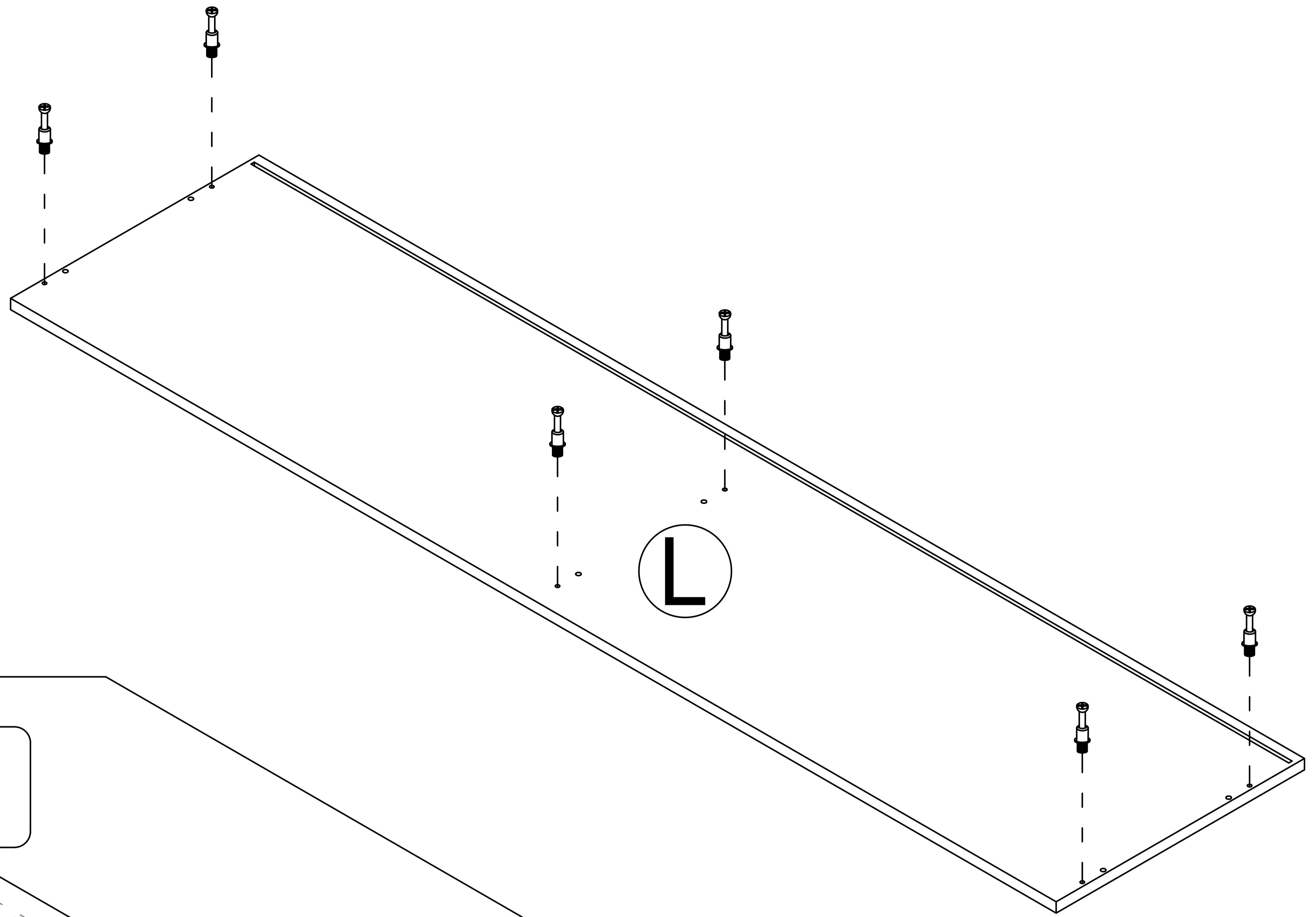
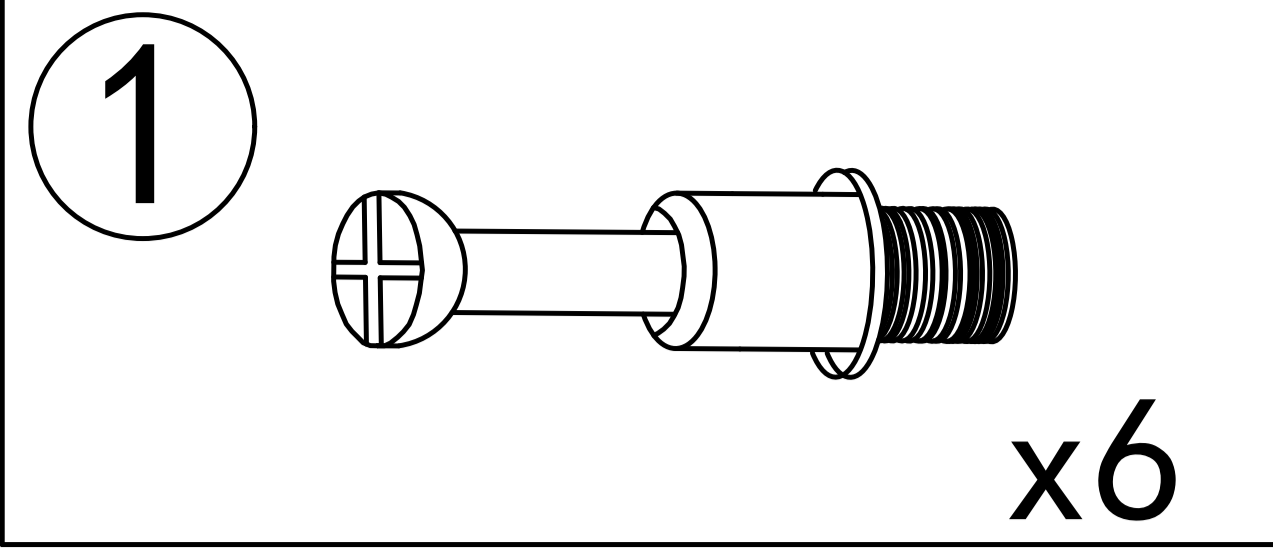
x8



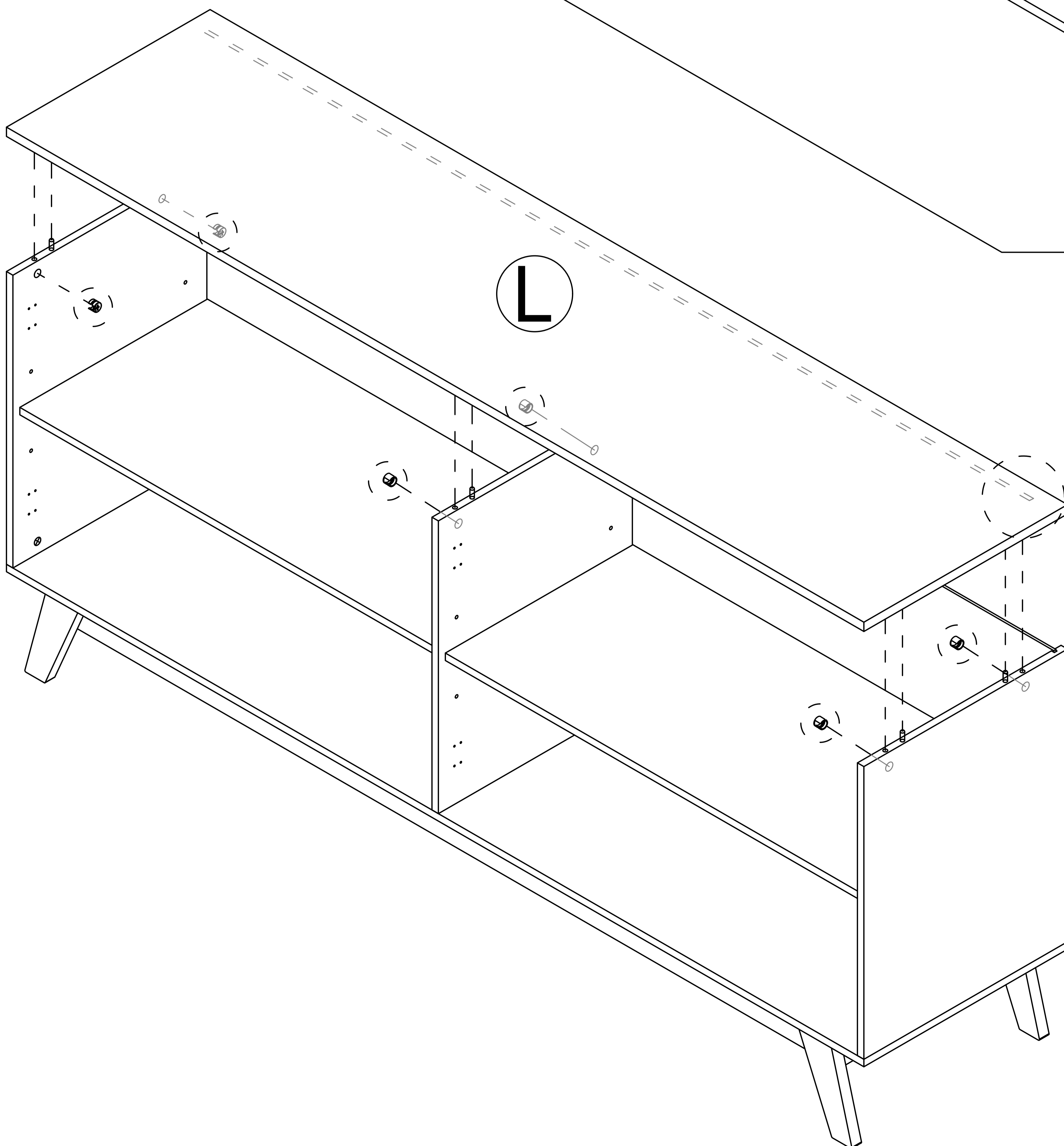
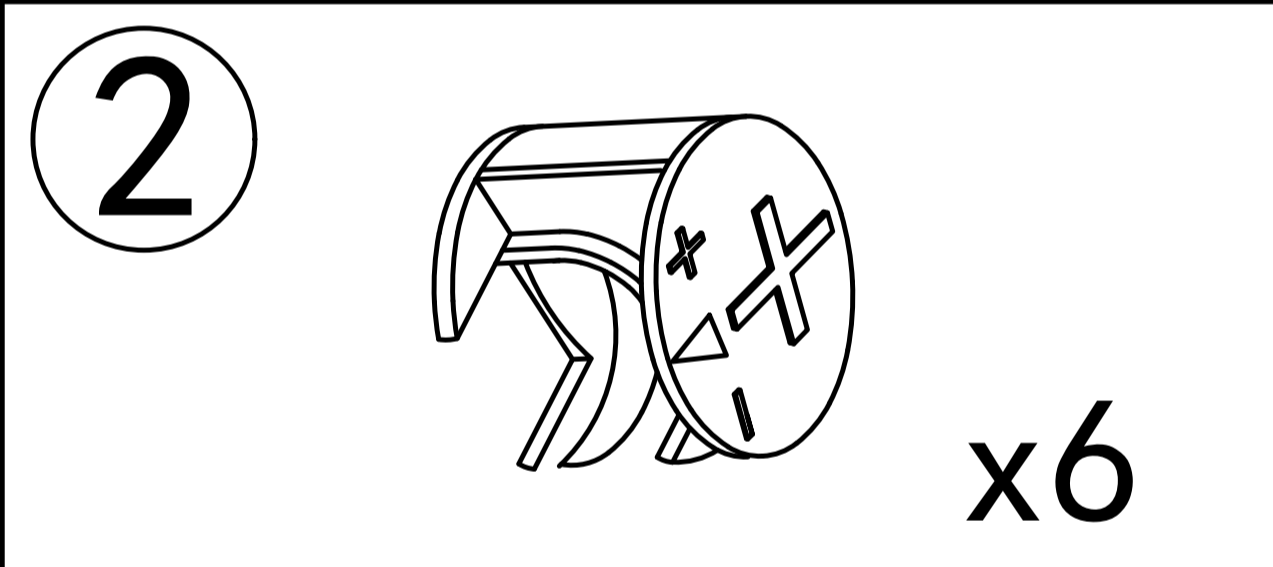
# Step 23



# Step 24

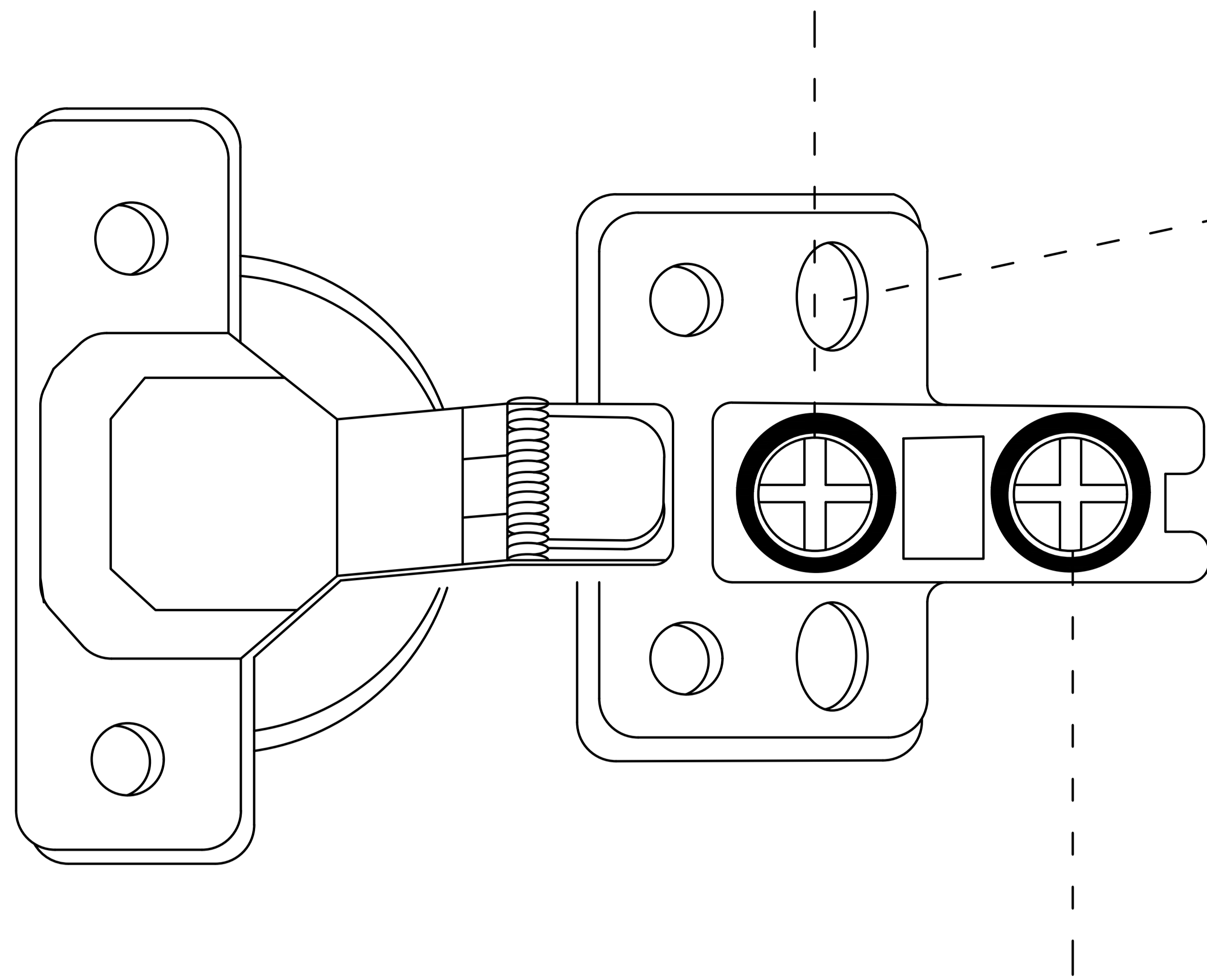


# Step 25



Pay attention to the direction of the slot

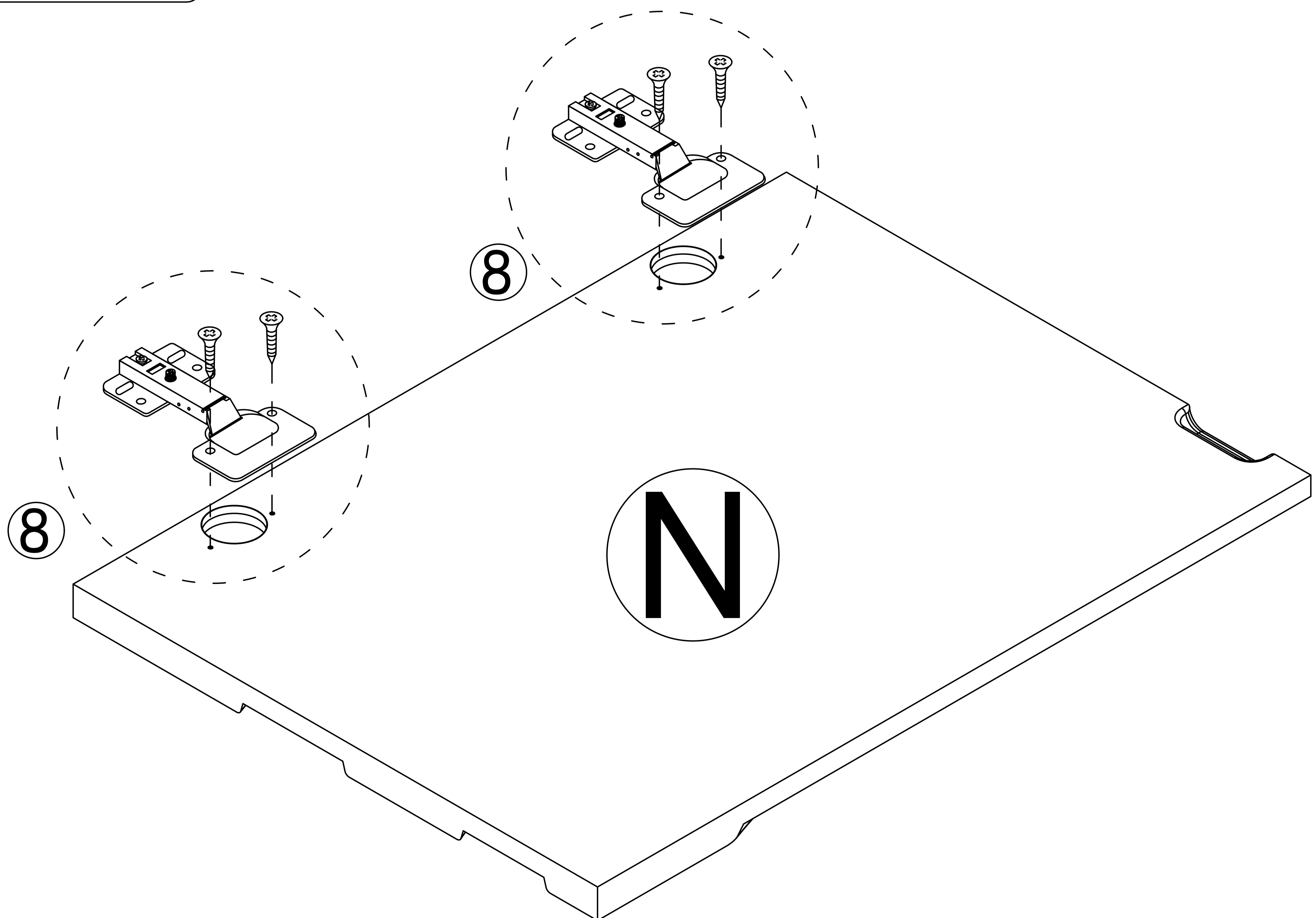
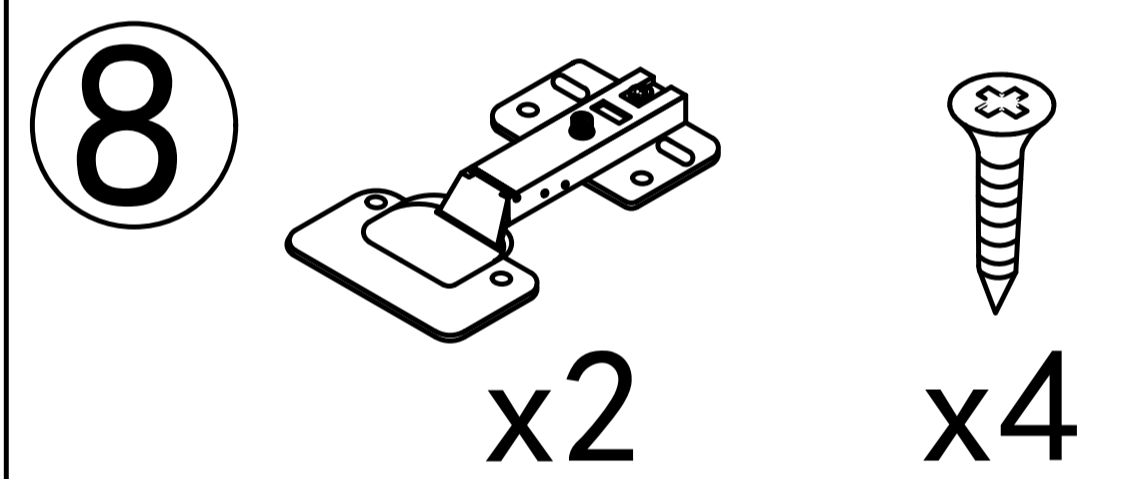
Turning this screw can effectively adjust the size of the door gap.



Adjust hole control the up and down height of the door

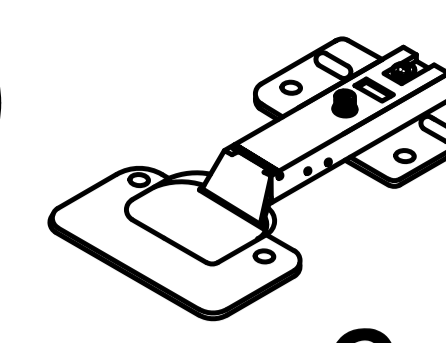
Turn this screw to adjust the door panel to be flat with the side panel.

## Step 26



# Step 27

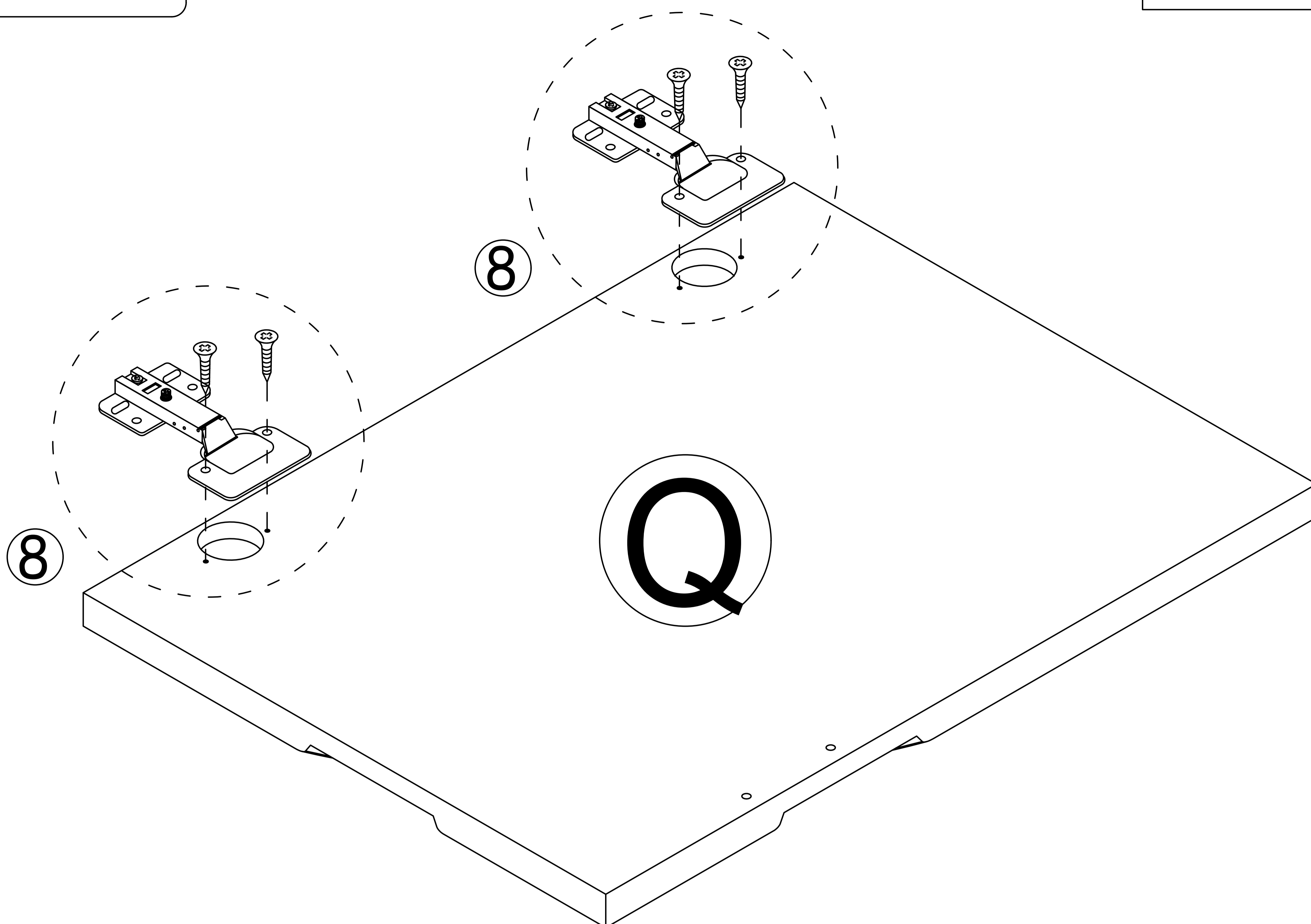
8



x2

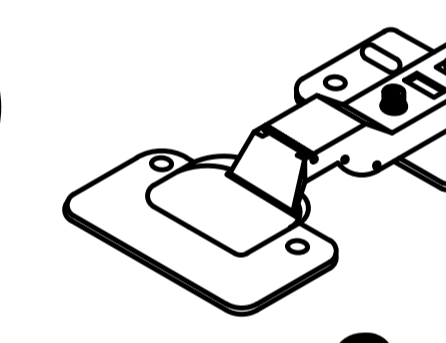


x4



# Step 28

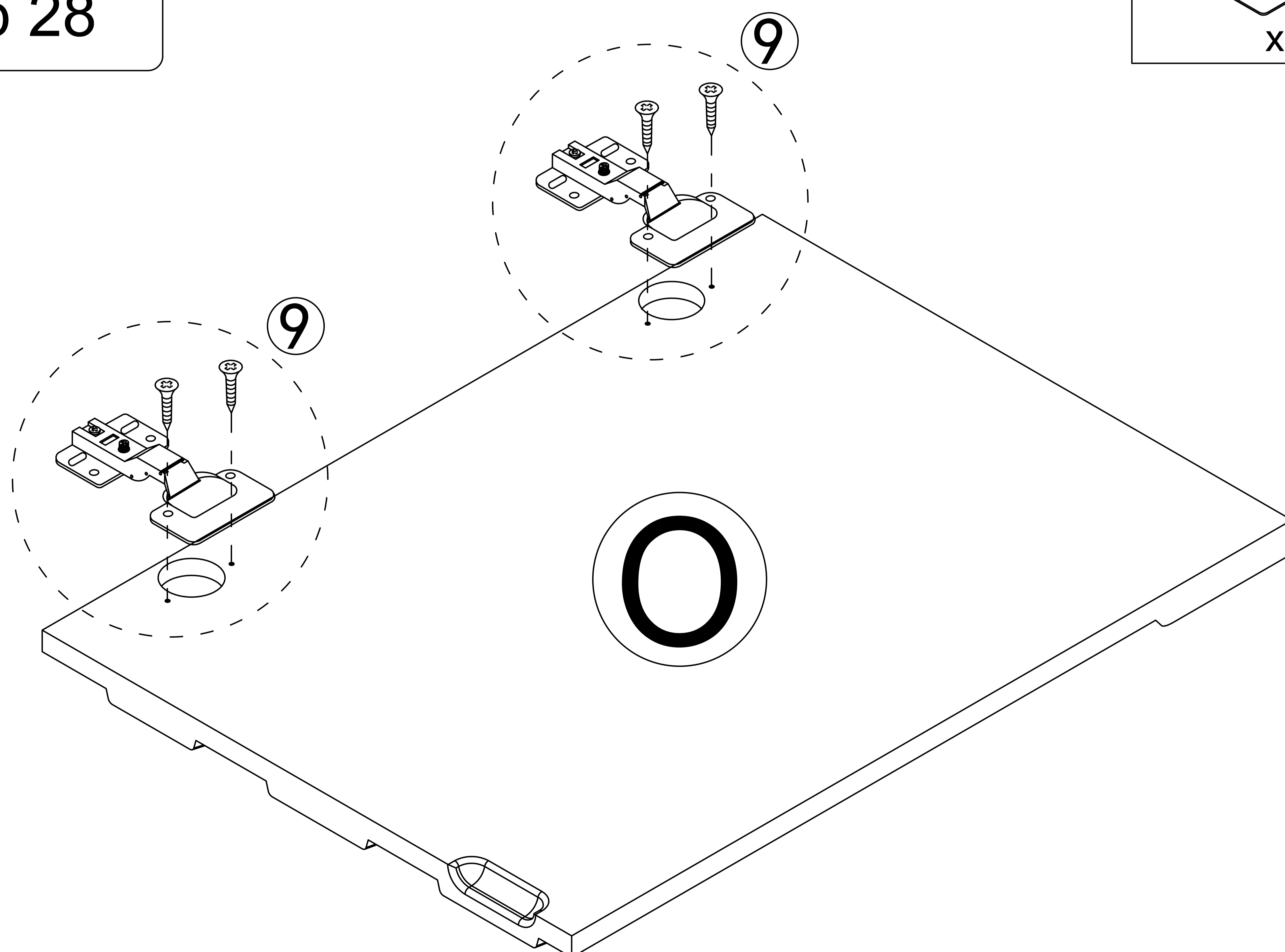
9



x2

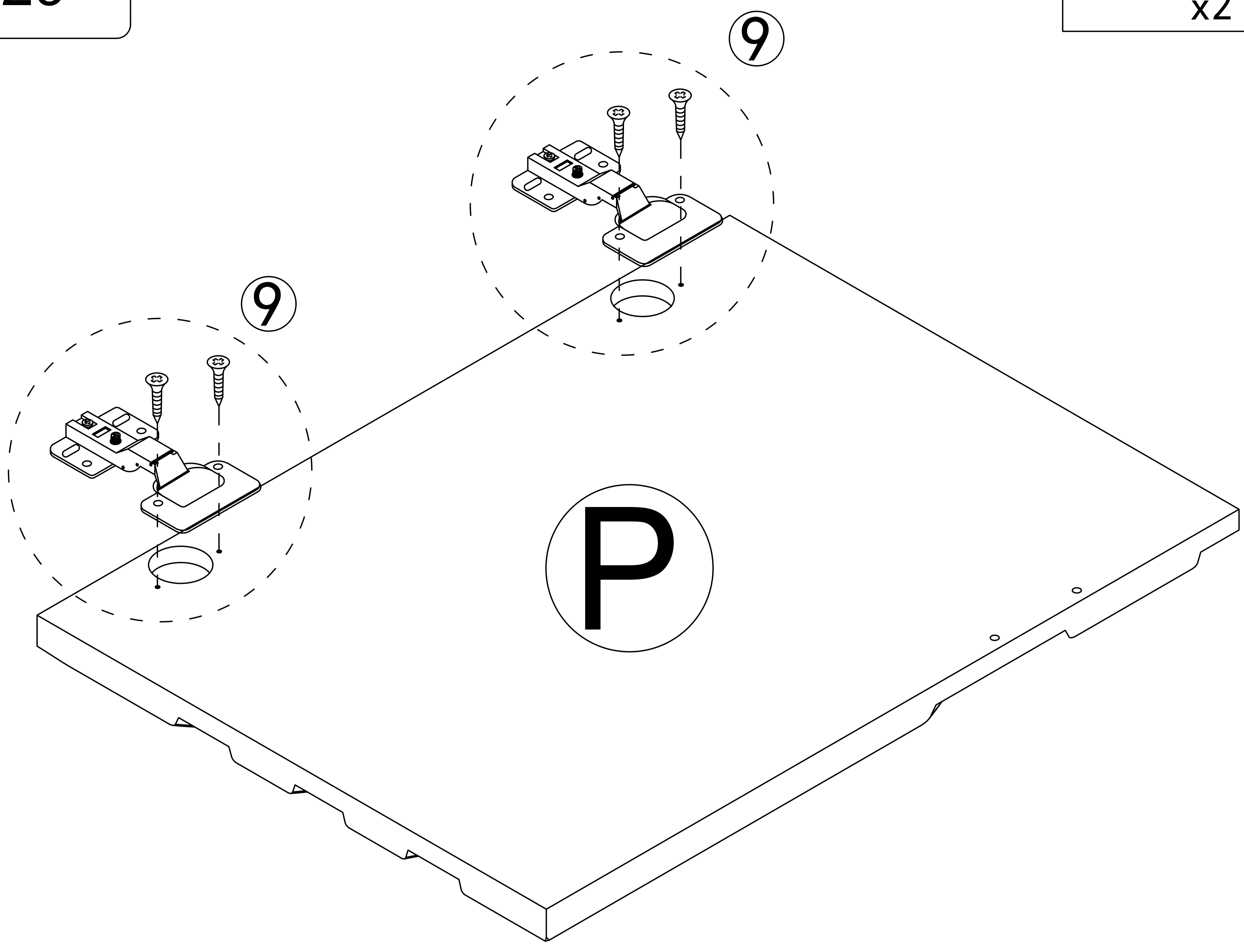


x4



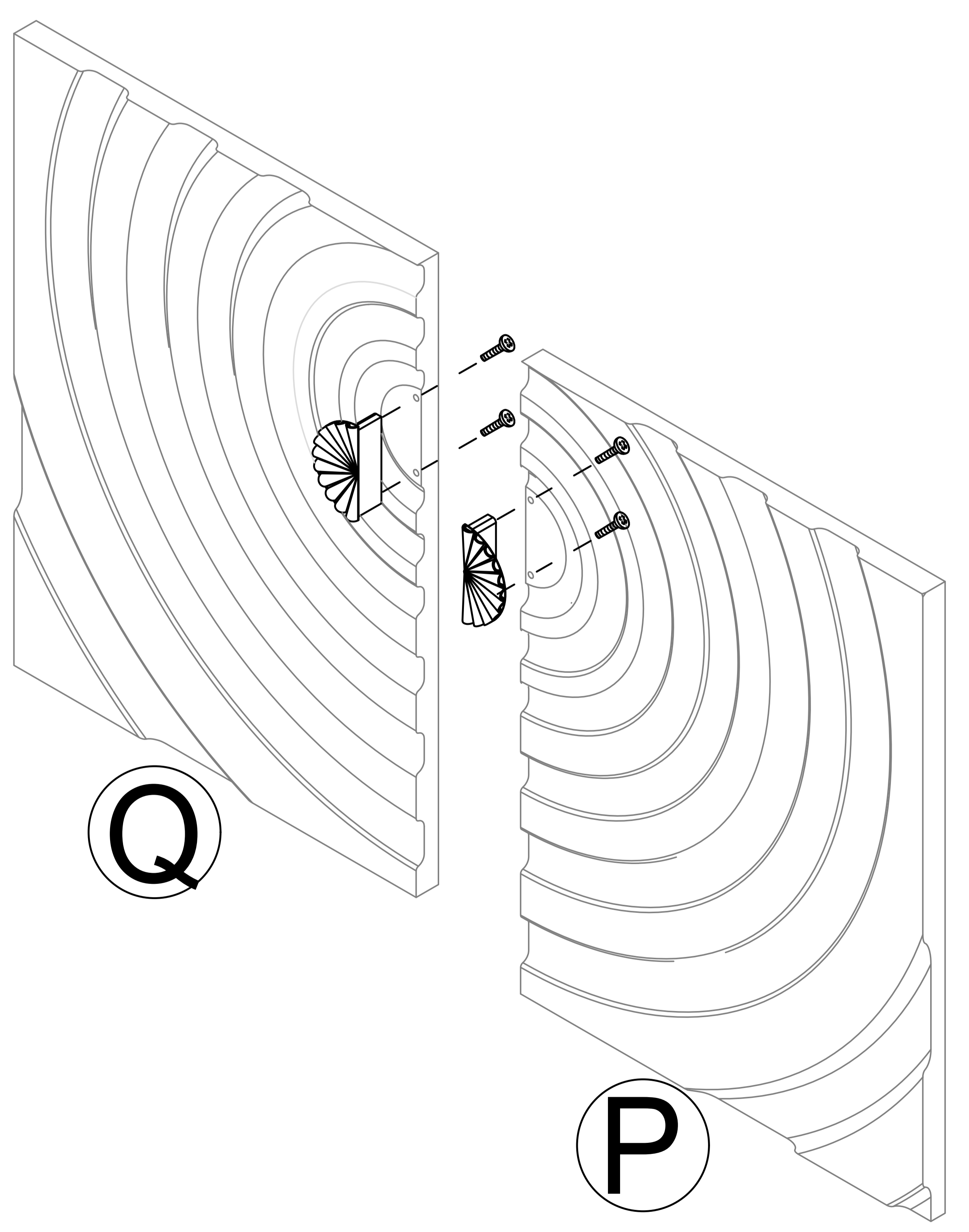
# Step 29

9 x2 x4

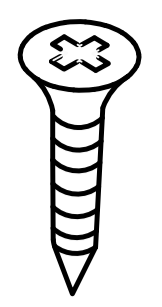
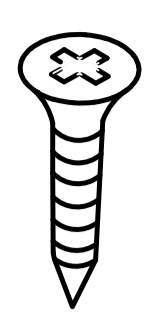


# Step 30

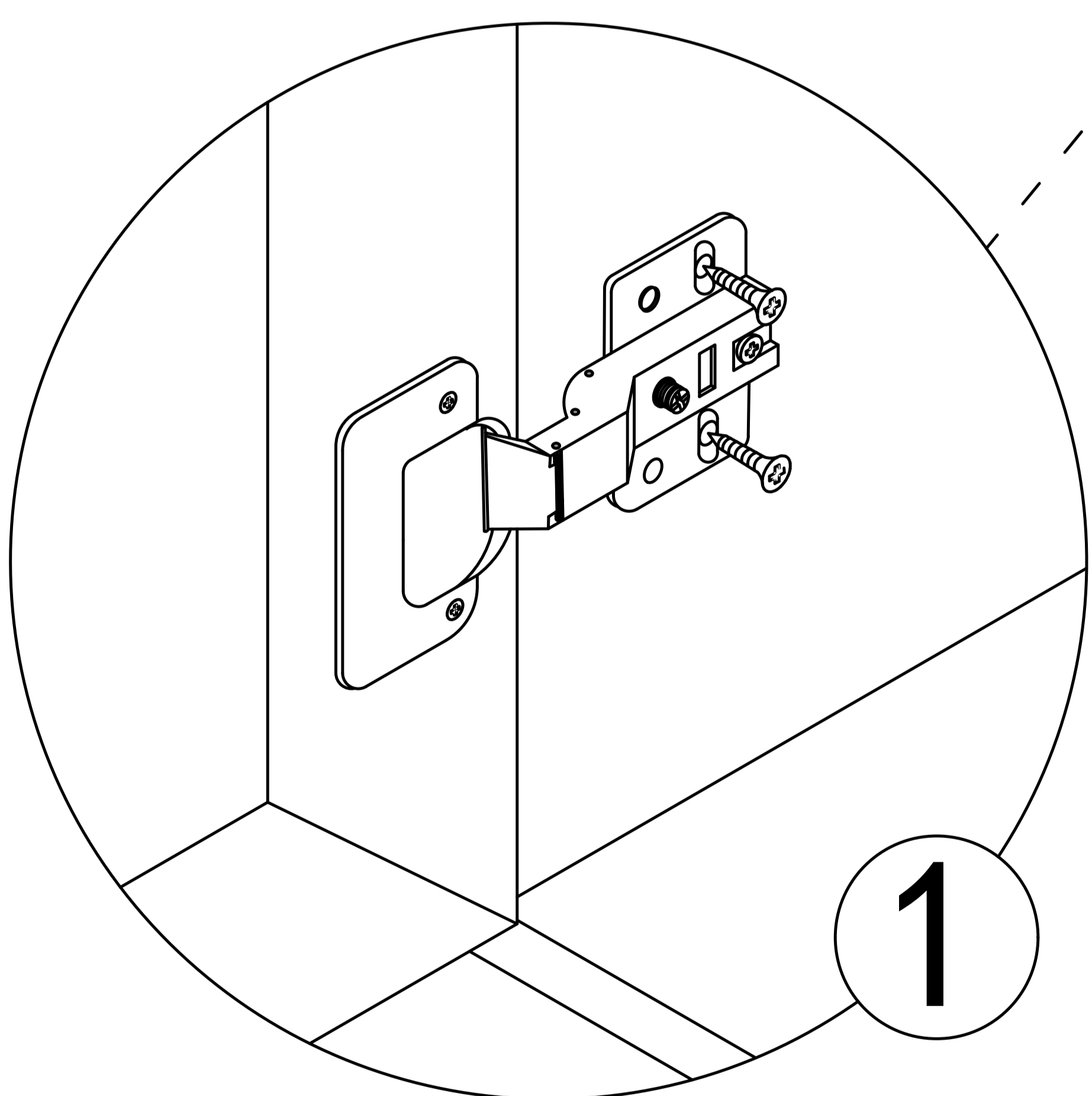
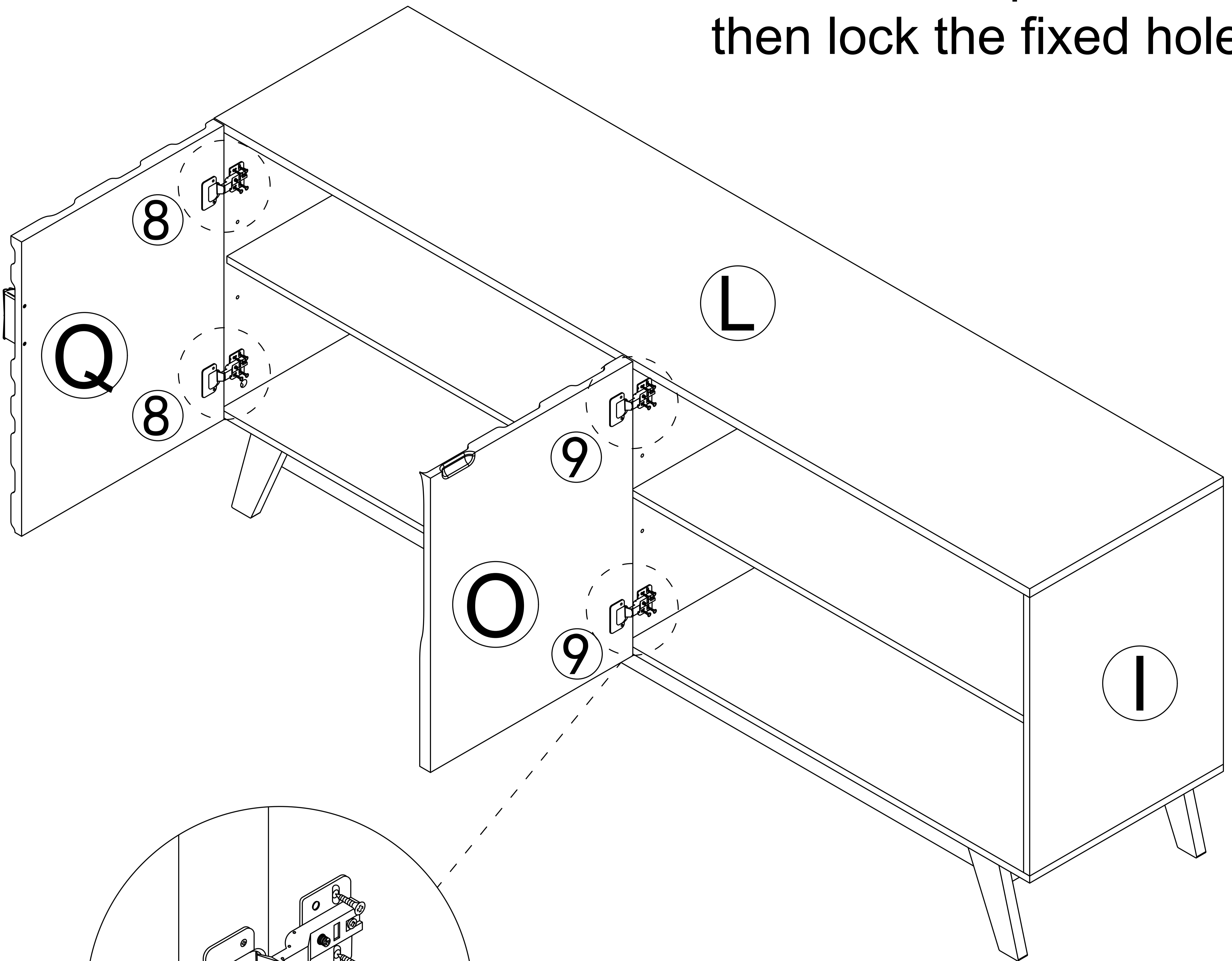
10 x2 x4



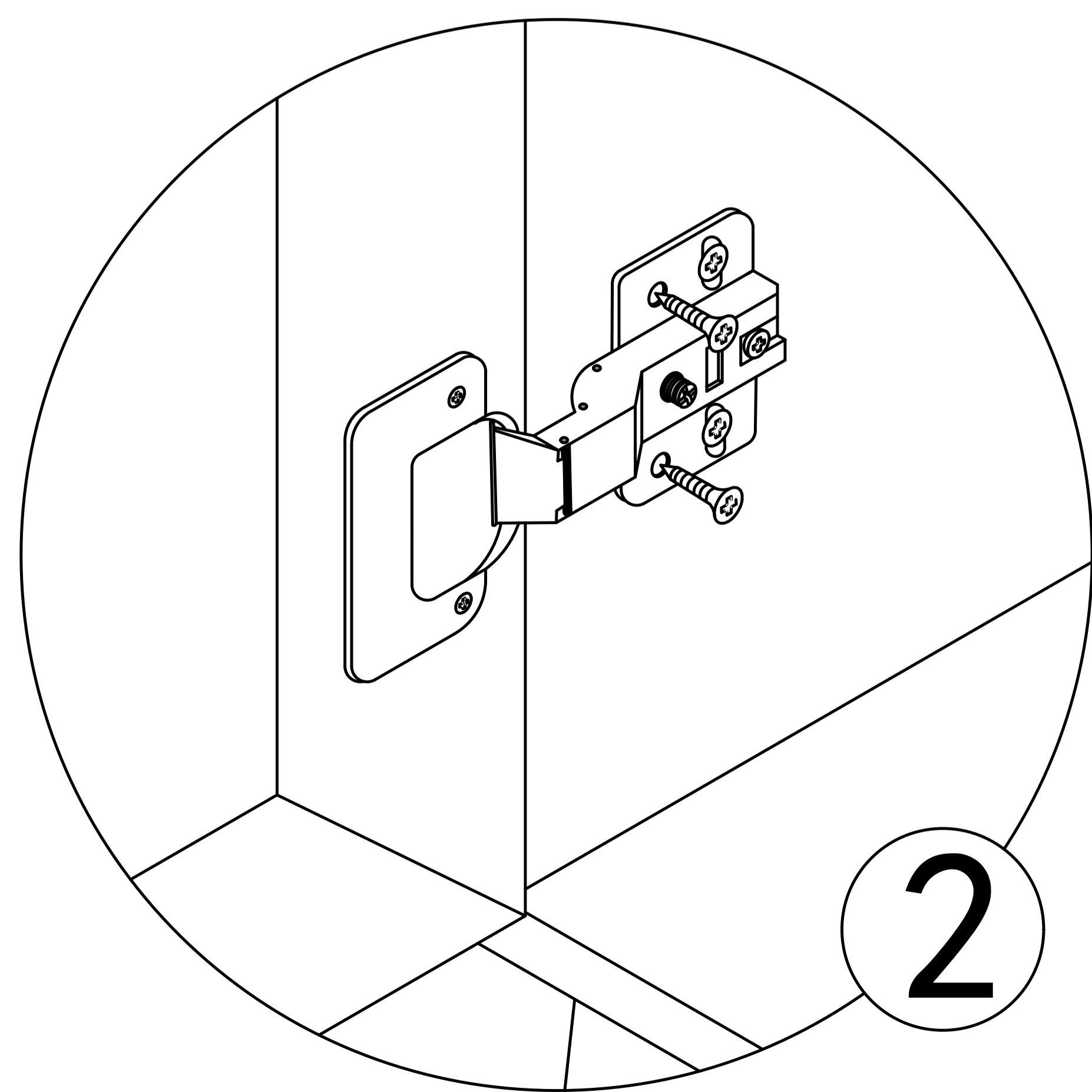
# Step 31

8		x8
9		x8

First lock the elliptical hole  
then lock the fixed hole

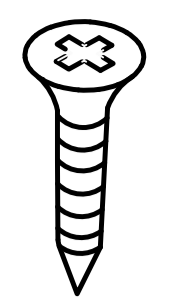
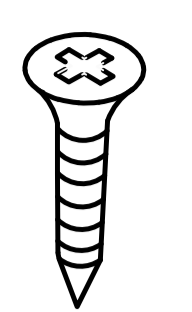


1

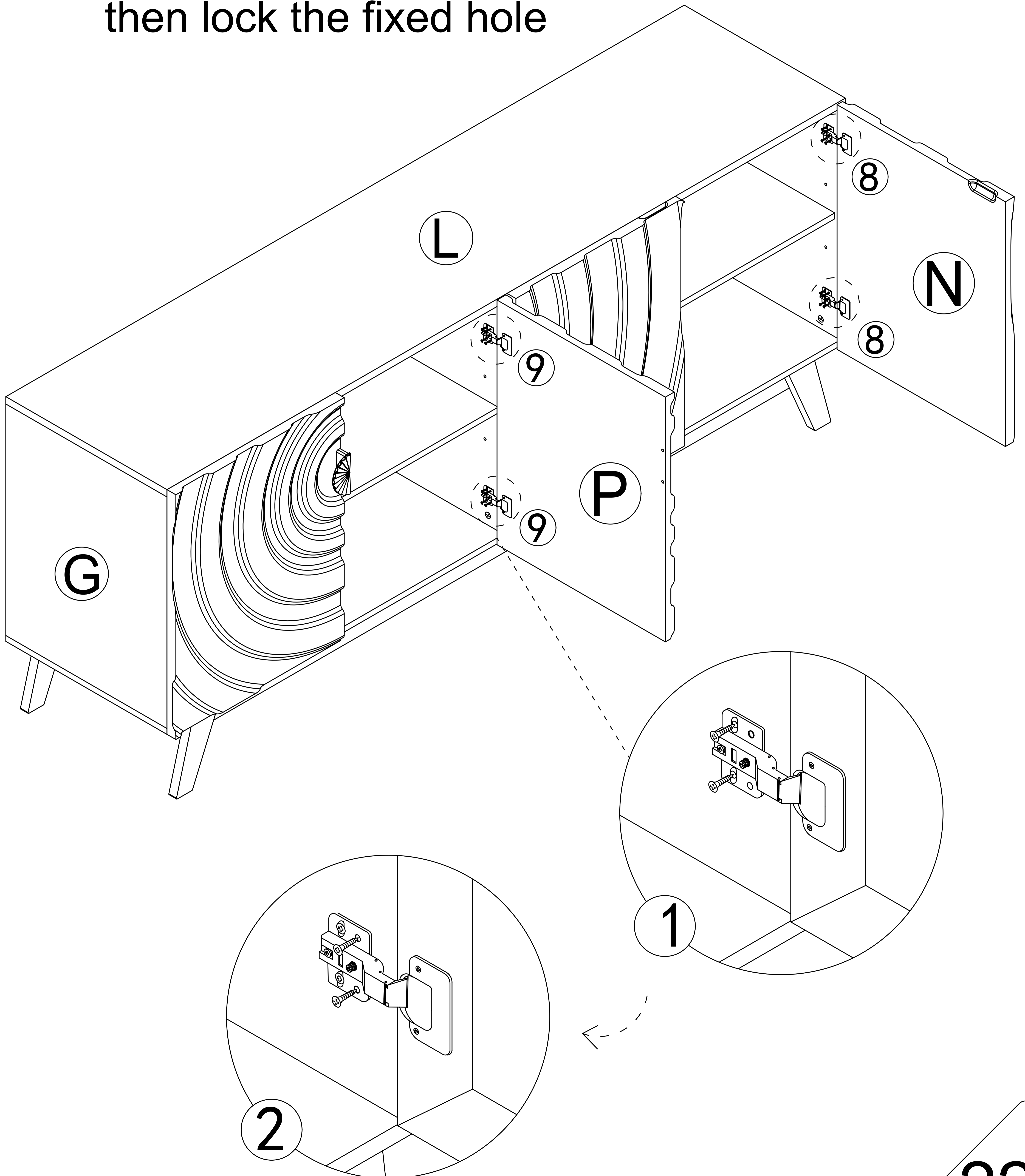


2

# Step 32

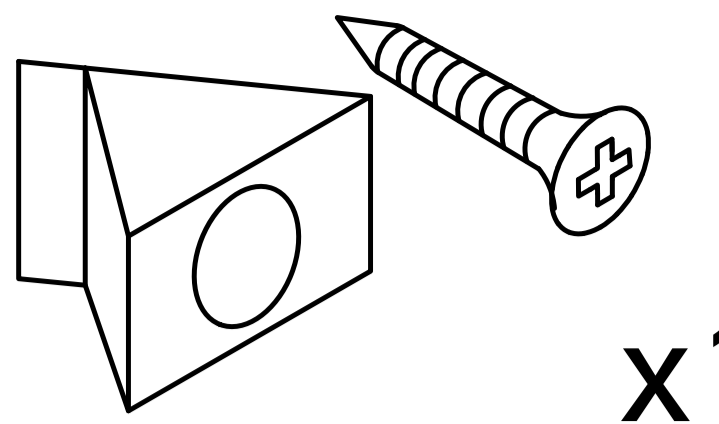
8		x8
9		x8

First lock the elliptical hole  
then lock the fixed hole



# Step 33

11



x16

