

Installation & Assembly

Tips!

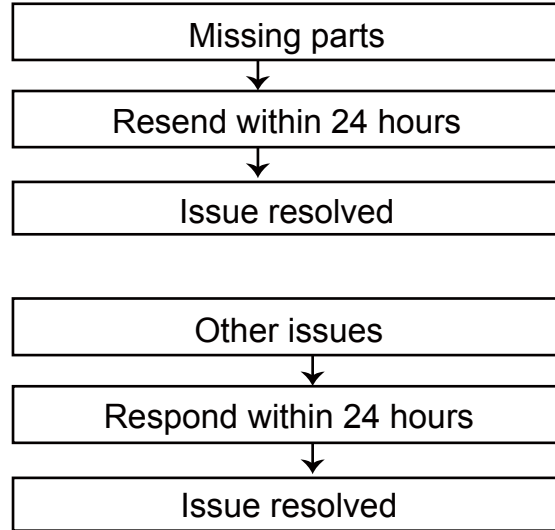
Check all the components & screws before assembly. **Do not install in case part is miss-ing, contact us to get.**

Return Policy

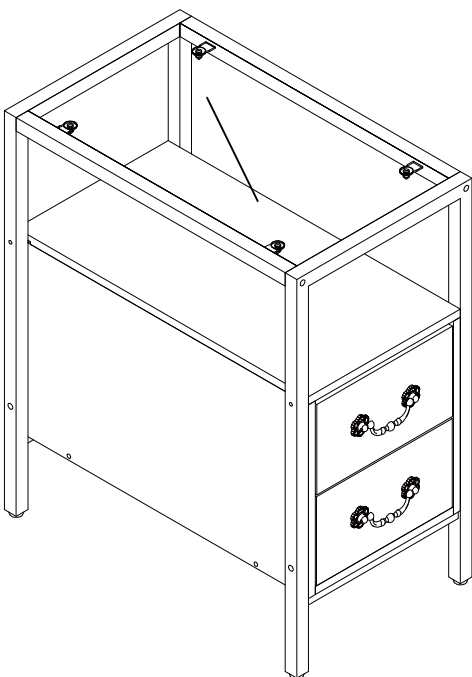
We believe you will absolutely love your new item. But if for some reason you want to return, please contact us directly before you decide to return your product. Our customer service organization can answer most concerns and assist you with any questions you may have about your new item.

The item must be returned within 30 days of delivery for a full refund. The item must be returned in good condition, in original box, with all original proof of purchase, parts and accessories.

Trouble shooting:



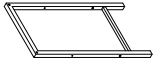
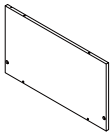
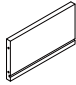
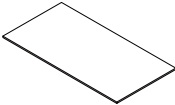
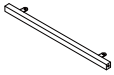
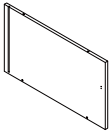
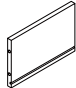
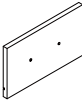
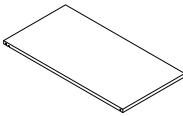
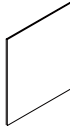
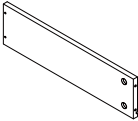
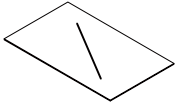
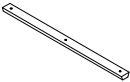
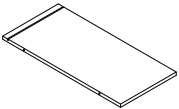
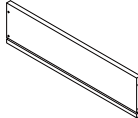
We control manufacturing and distribution ourselves, ensure the quality.



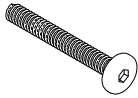
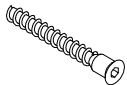


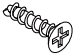
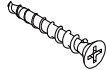
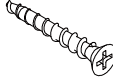

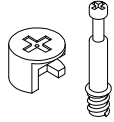
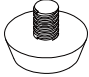
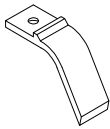
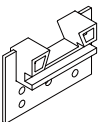
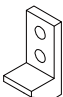
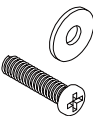


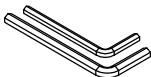
Item Description: Side Table

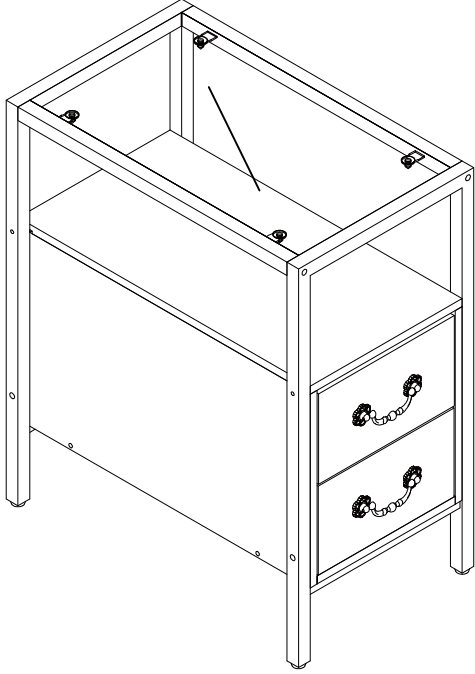
Dimension: 50*30*60cm

Components

1		2	5		1	9		1	13		2
2		2	6		1	10		1	14		2
3		1	7		1	11		2	15		1
4		1	8		1	12		2			

Screws

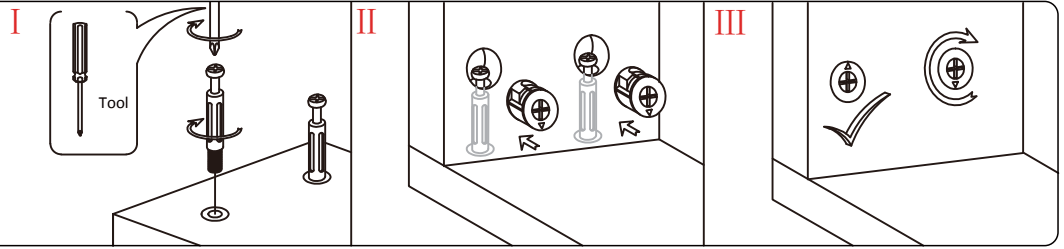
A		8	B		4	C		4	D		5
E		3	F		3	G		8	H		4
I		8	J		4	K		1	L		1
M		2	N		4	O		2	P		4
Q		1									



SideTable

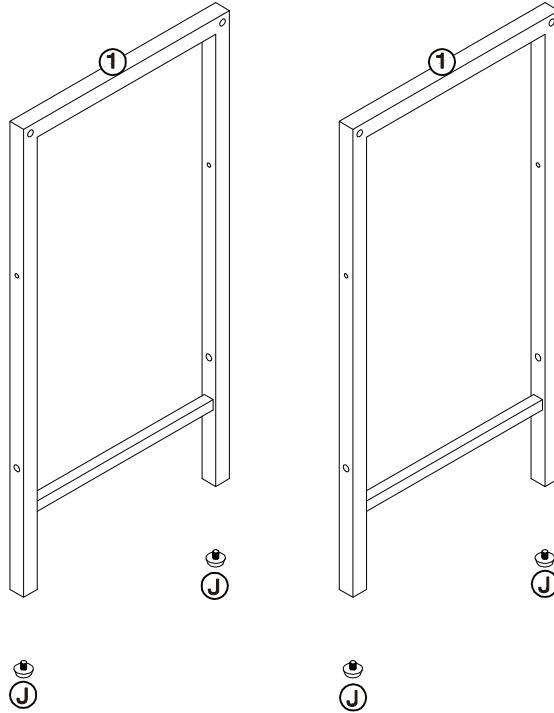
Dimension: 50*30*60cm

"D" Hardware
Assembly example




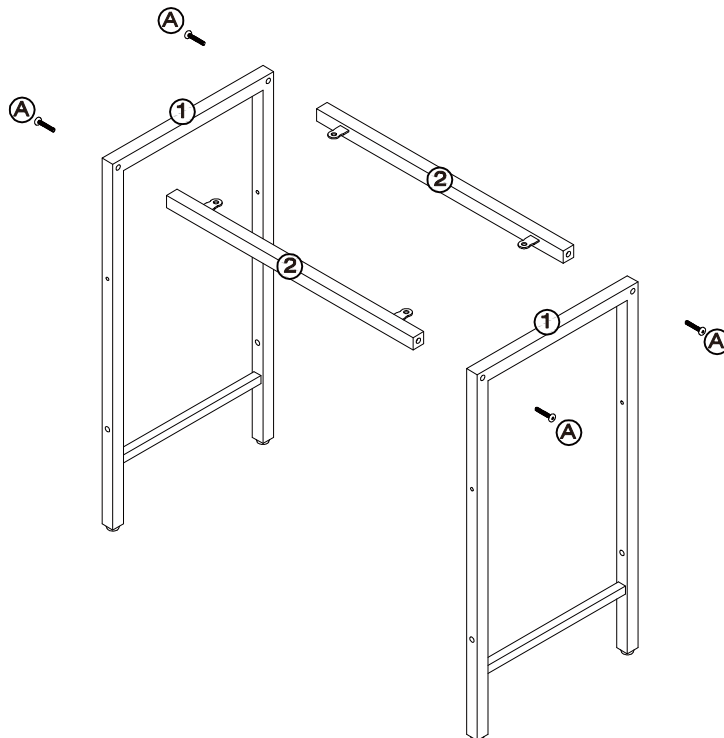
Step 1

 J×4






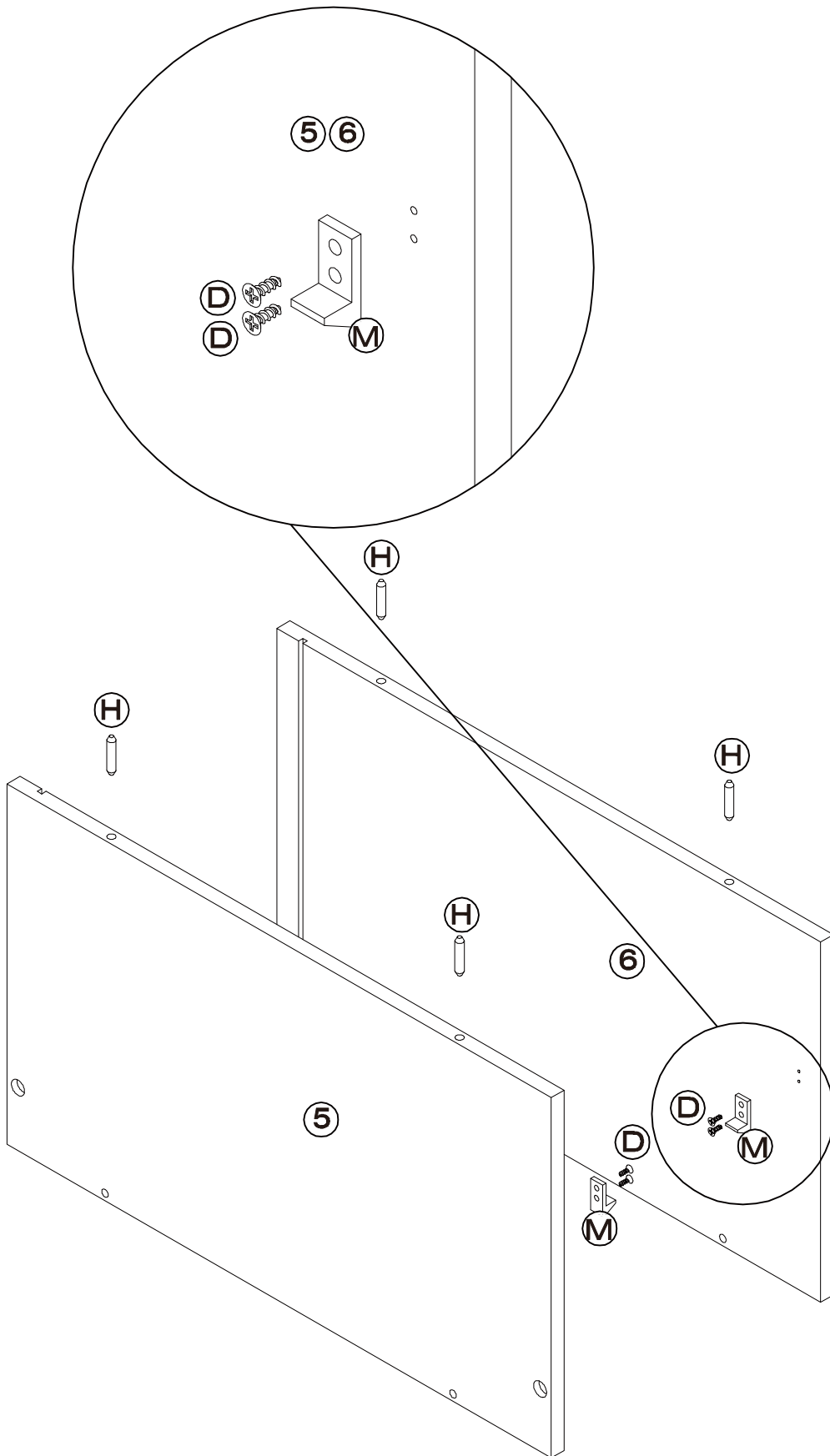
Step 2

 A×4

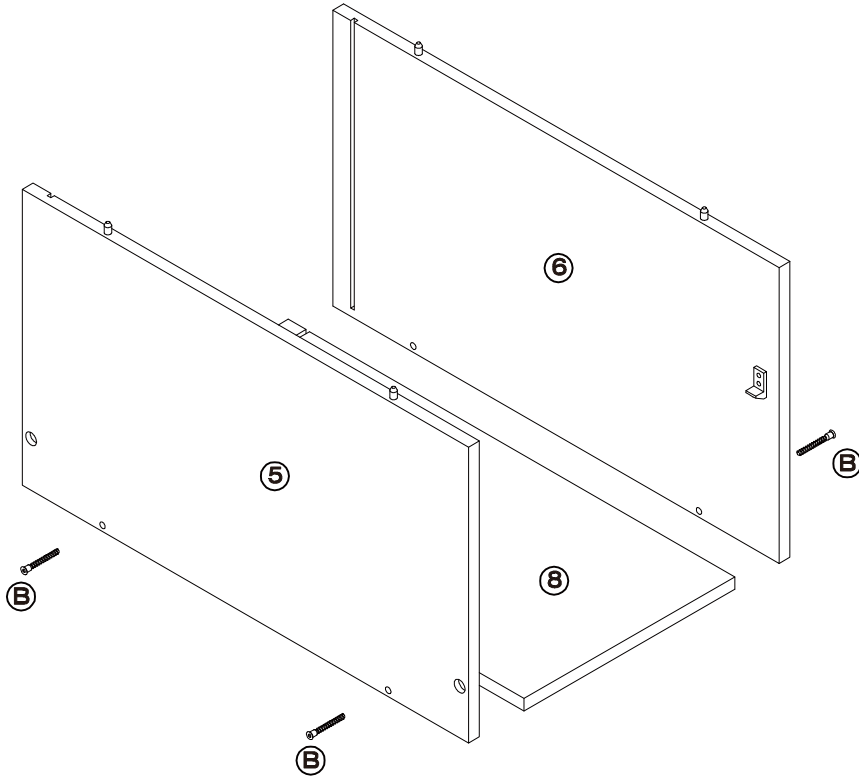


Step 3

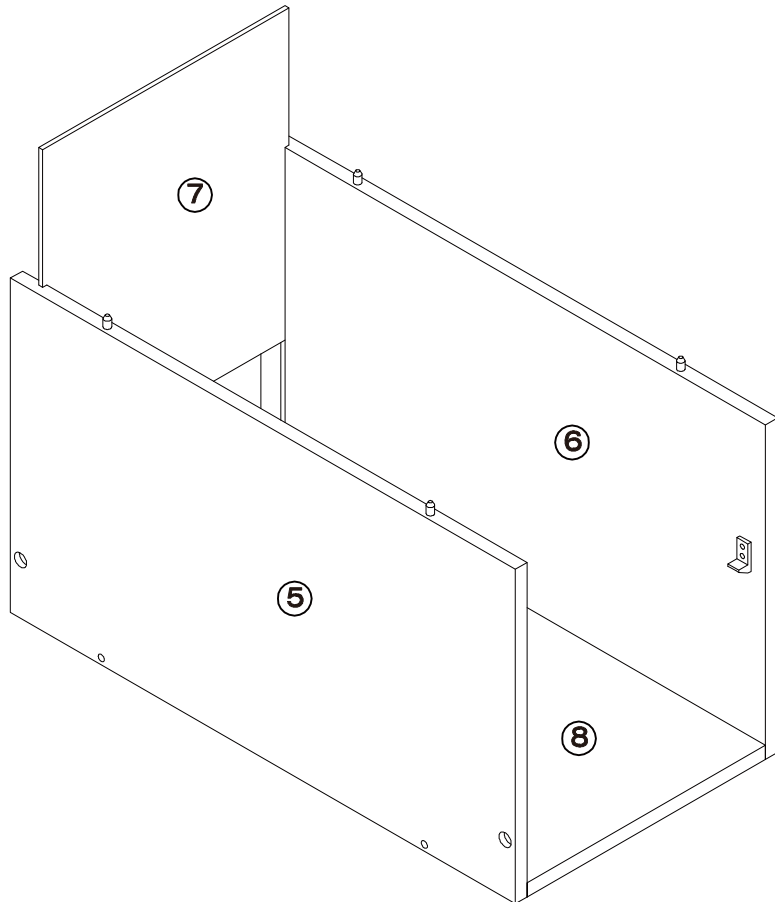
	Dx4
	Mx2
	Hx4




Step 4

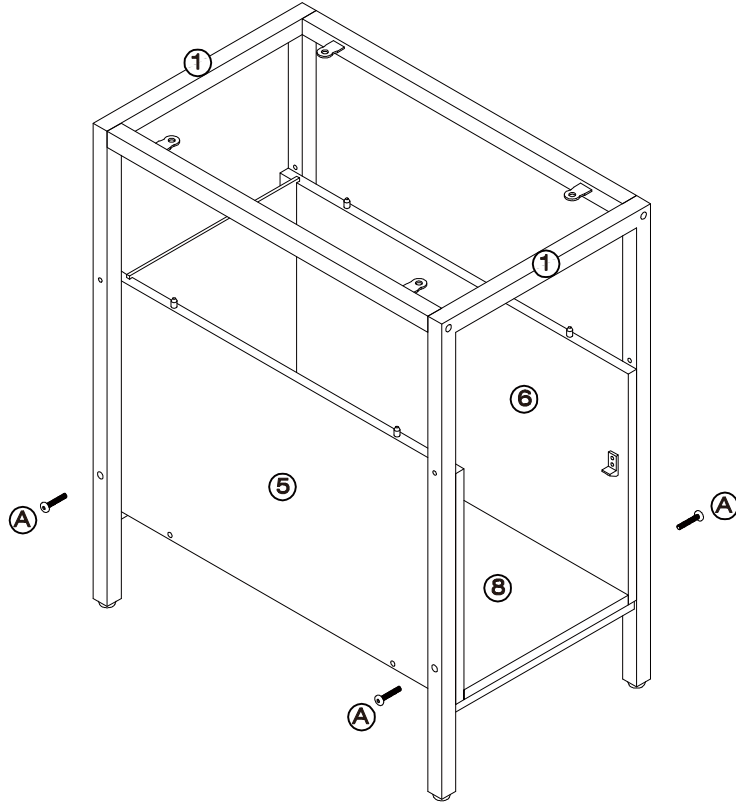


Step 5



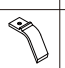


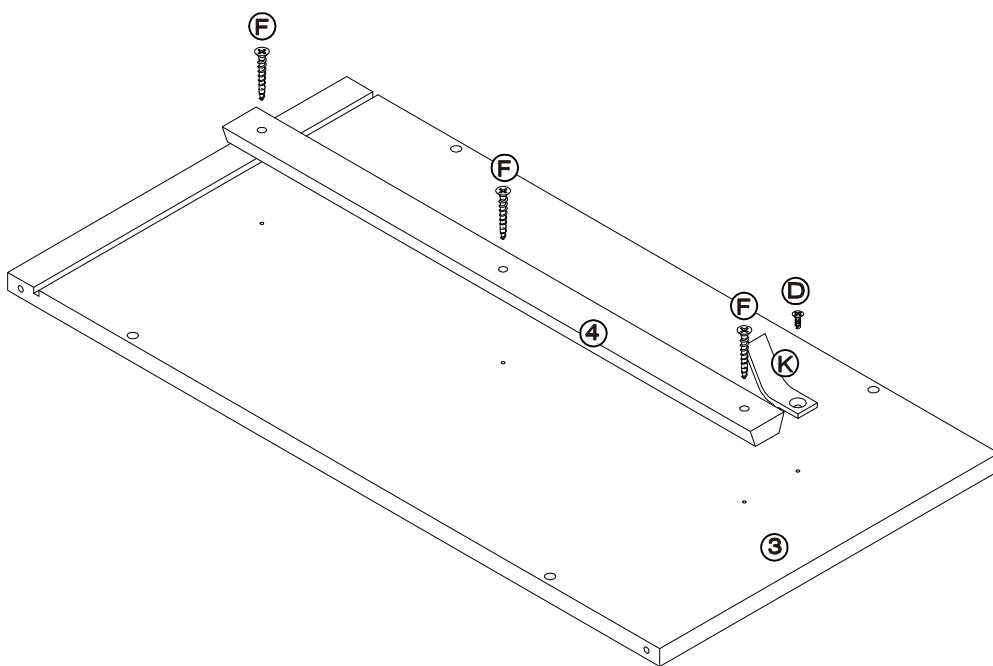
 A×4

Step 6



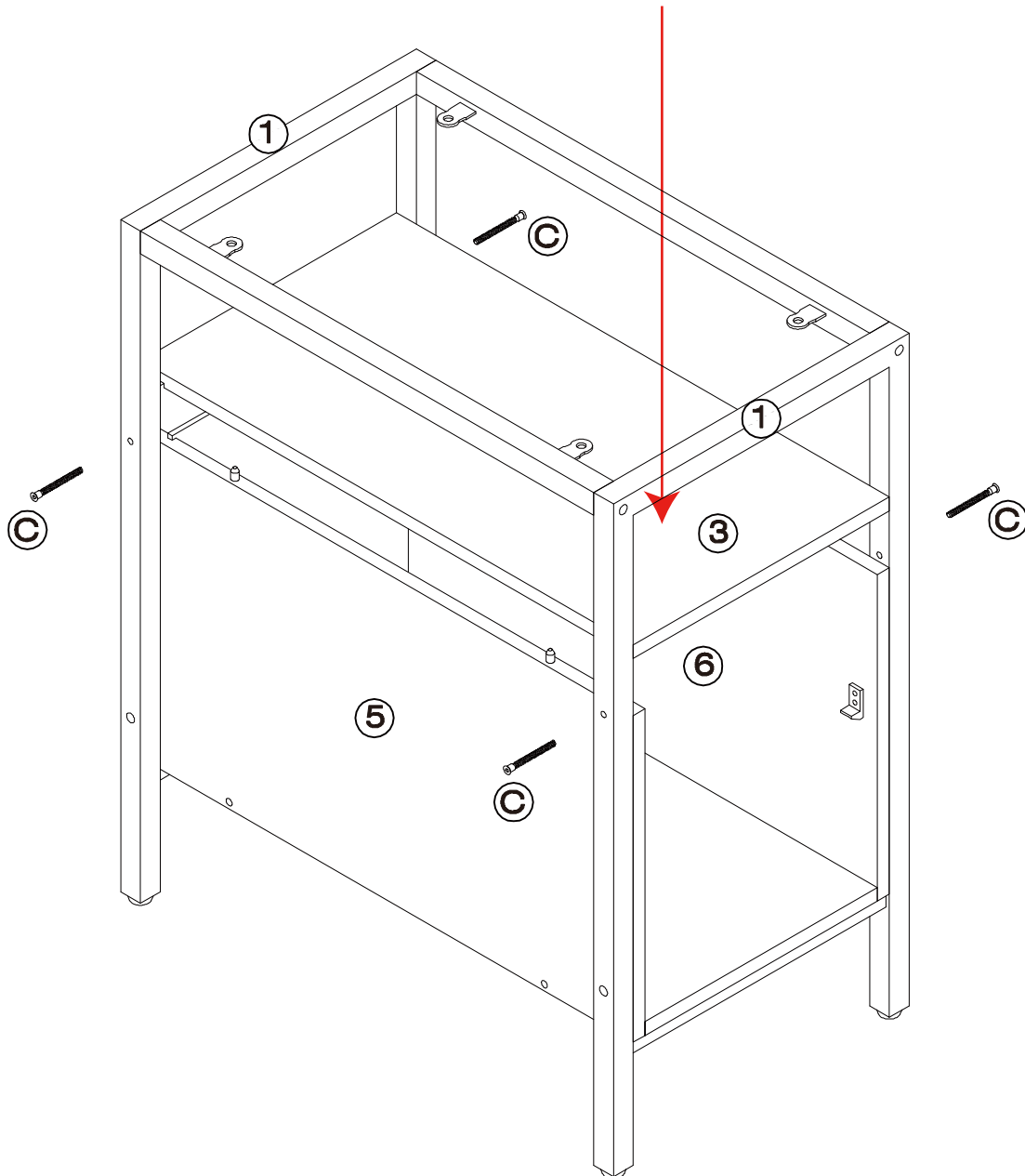
Step 7



	D×1
	F×3
	K×1



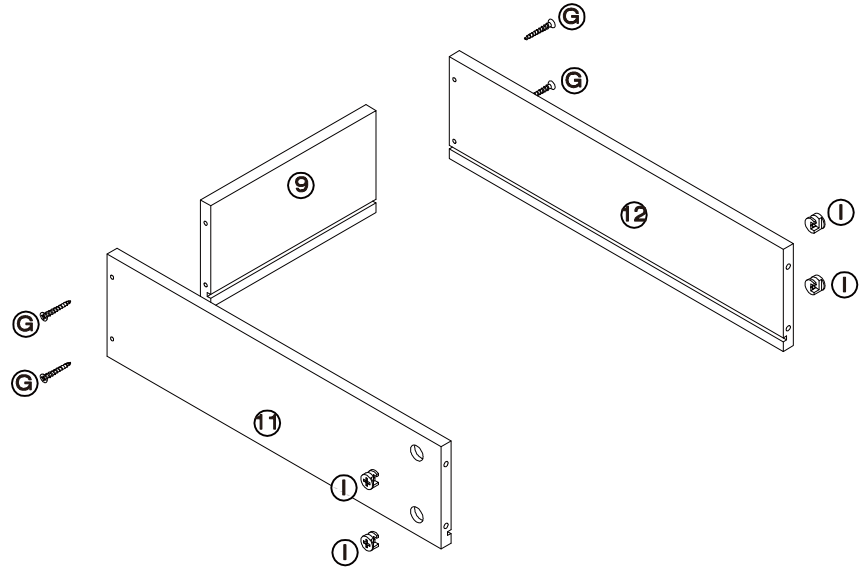
Step 8

Pay attention to the position of H part when installing.

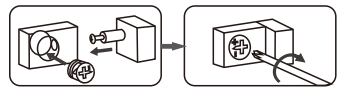


	G×4
	I×4

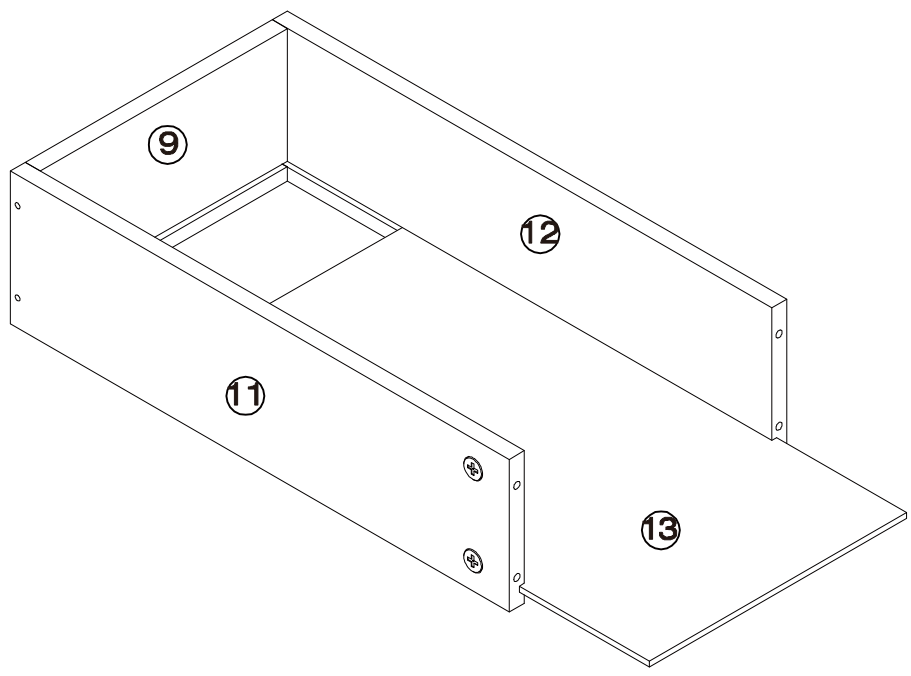
Step 9






Tips:
 For the tightening method of G screw, please refer to "D" Hardware Assembly example

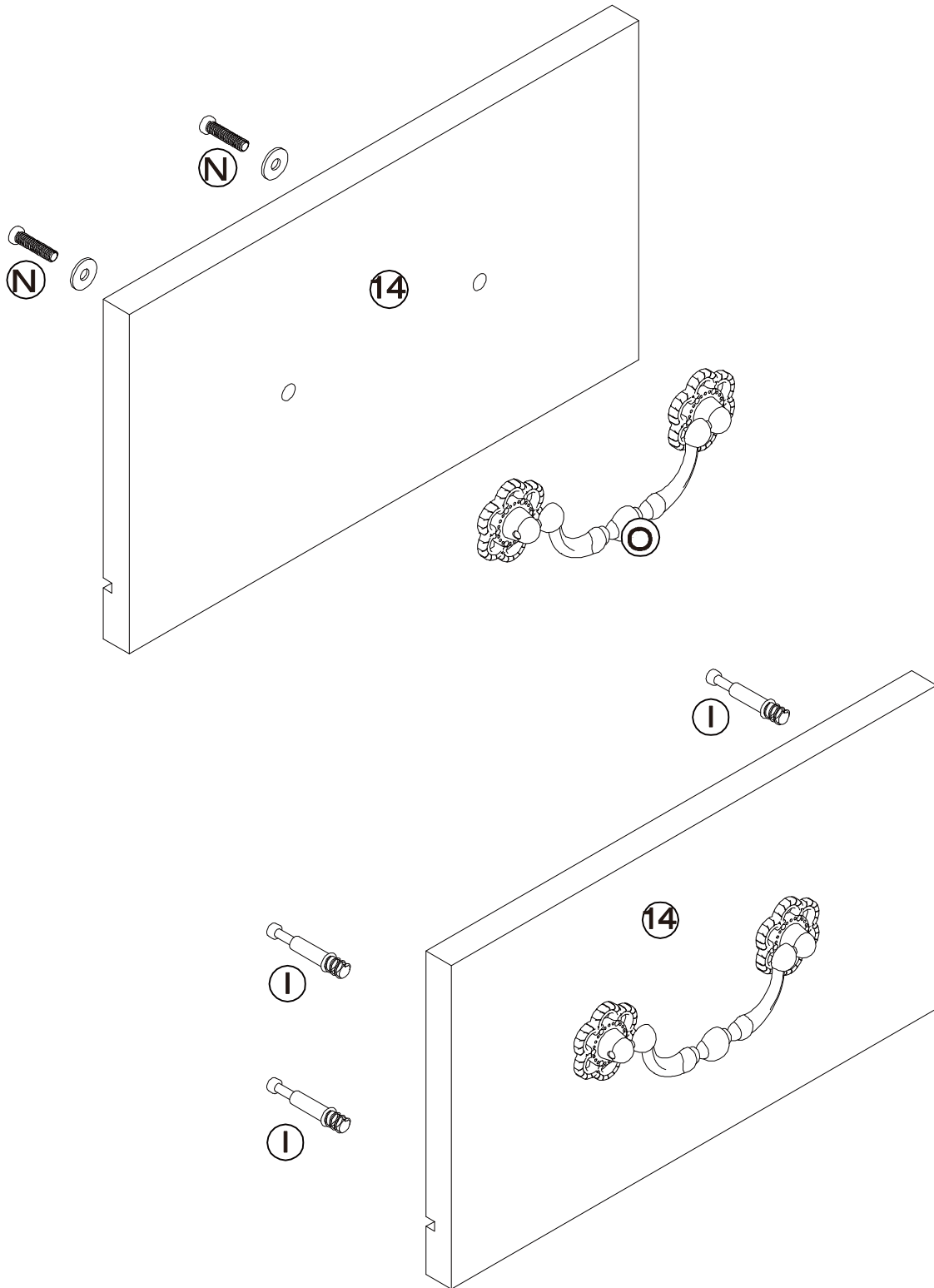


Step 10

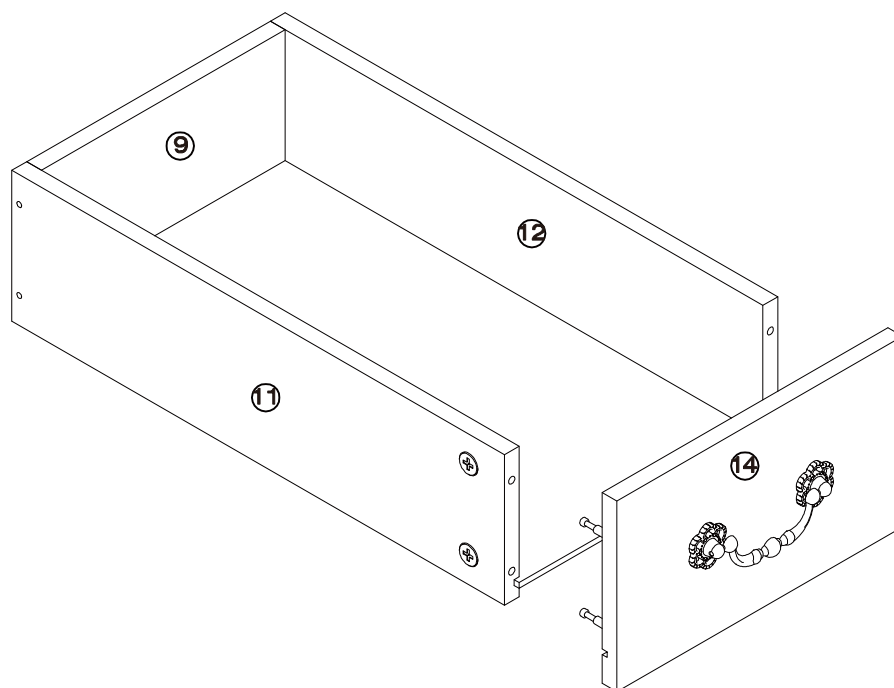


Step 11

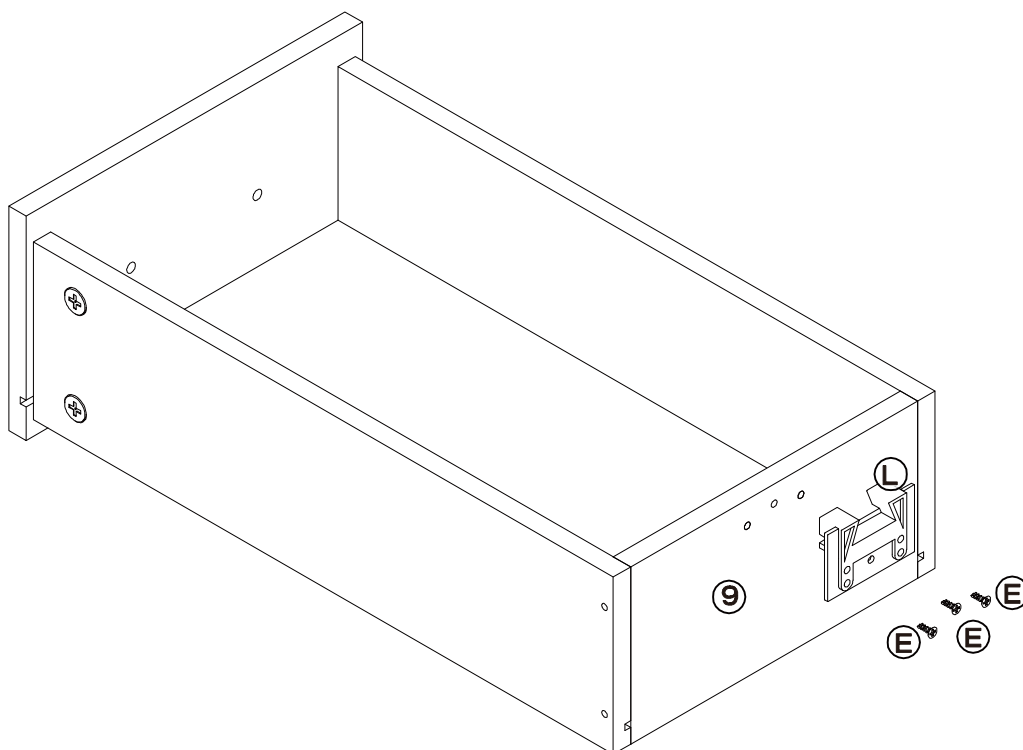
	N×2
	O×1
	I×4



Step 12

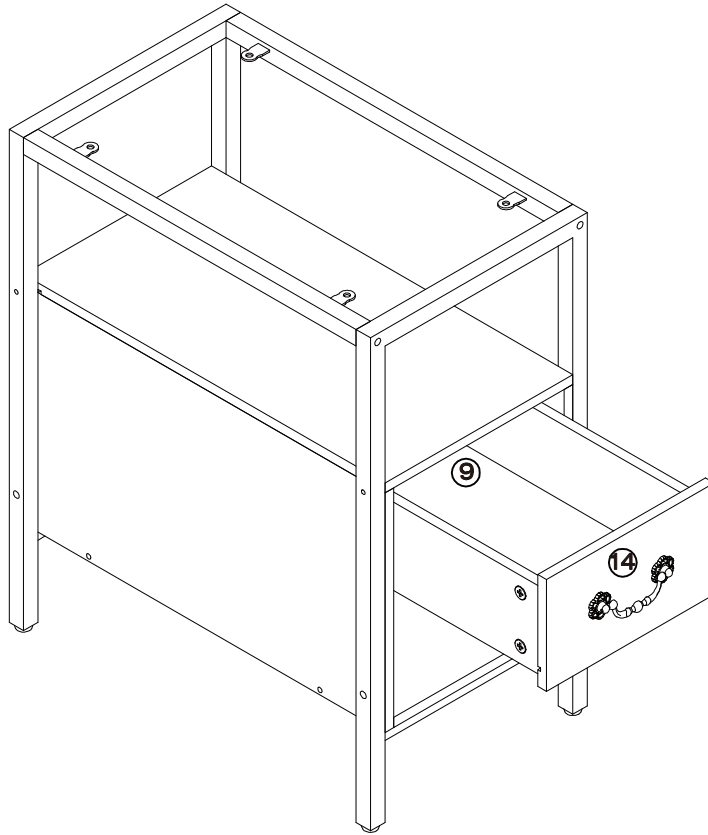


Step 13



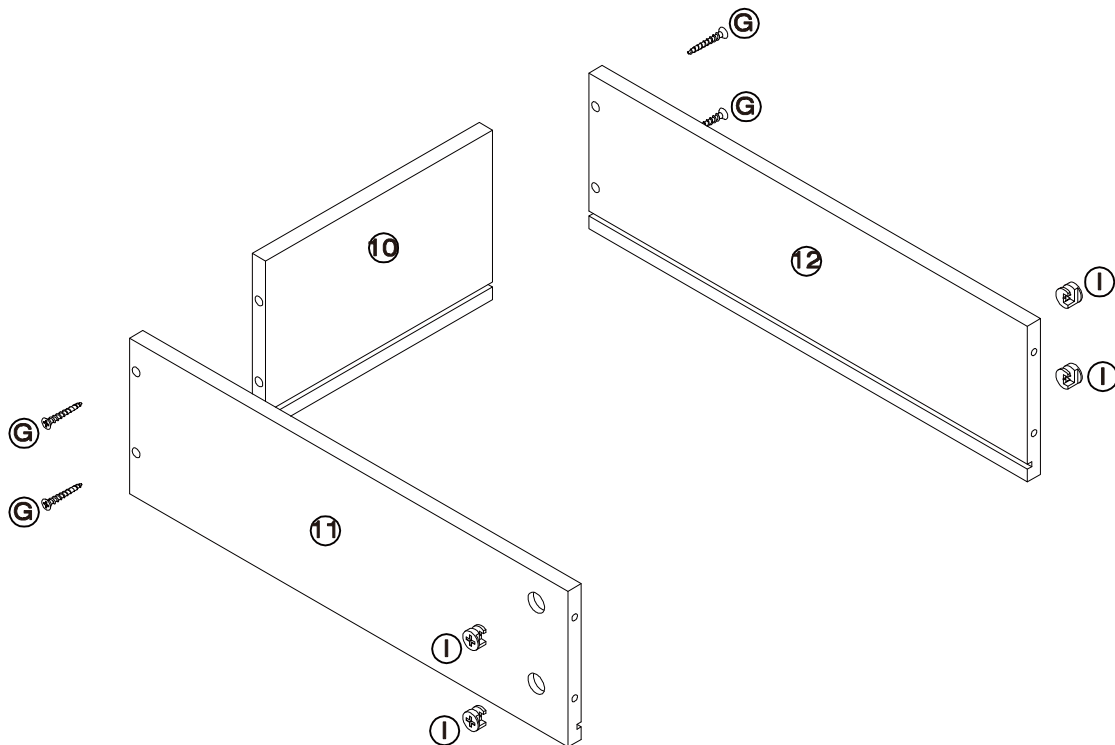
	L x1
	E x3

Step 14

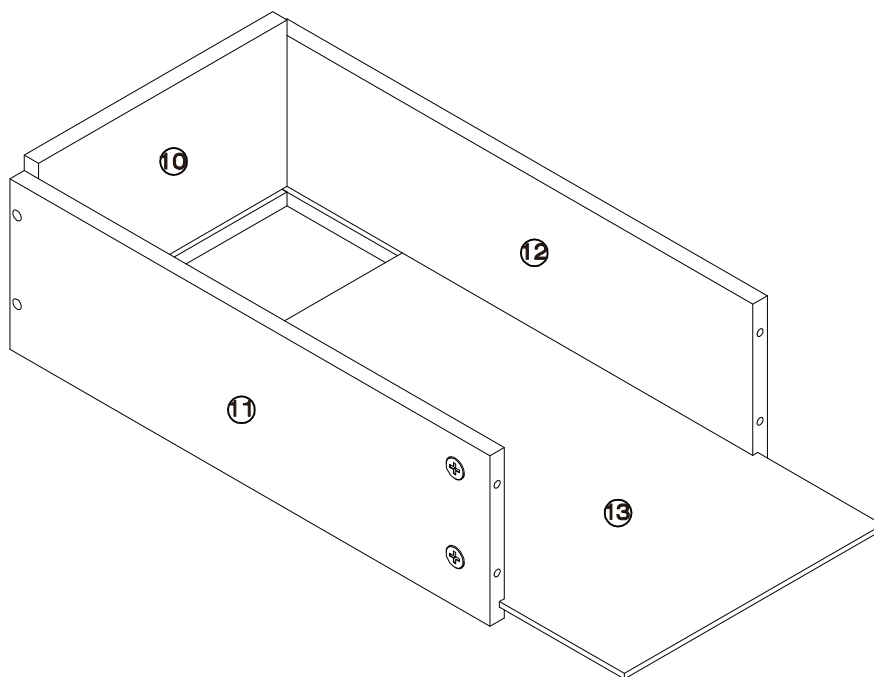


Step 15

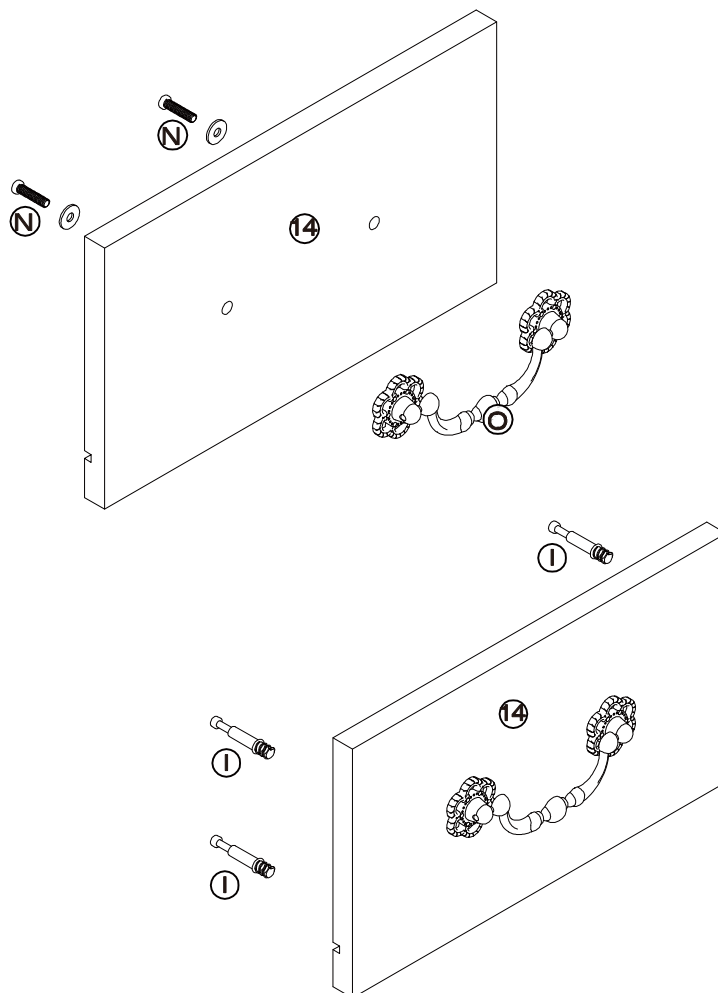
	G×4
	I×4






Step 16

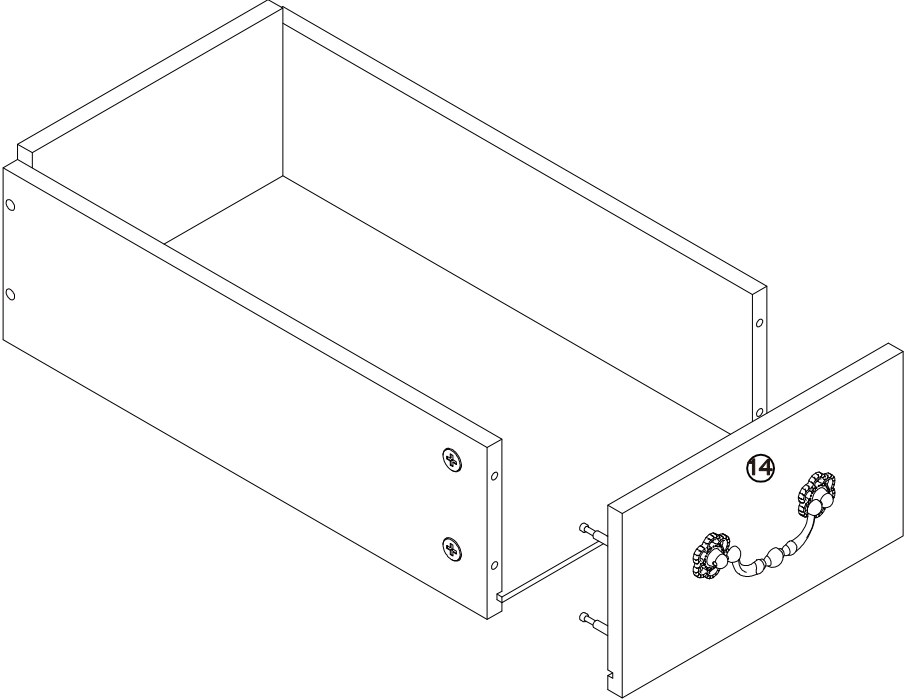


Step 17

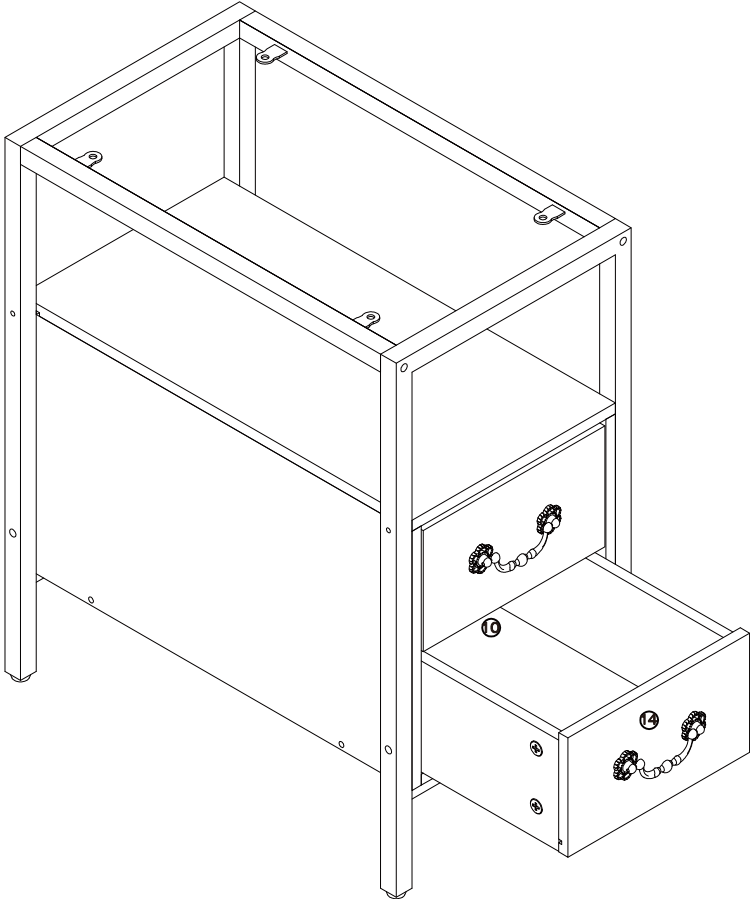


	N×2
	O×1
	I×4

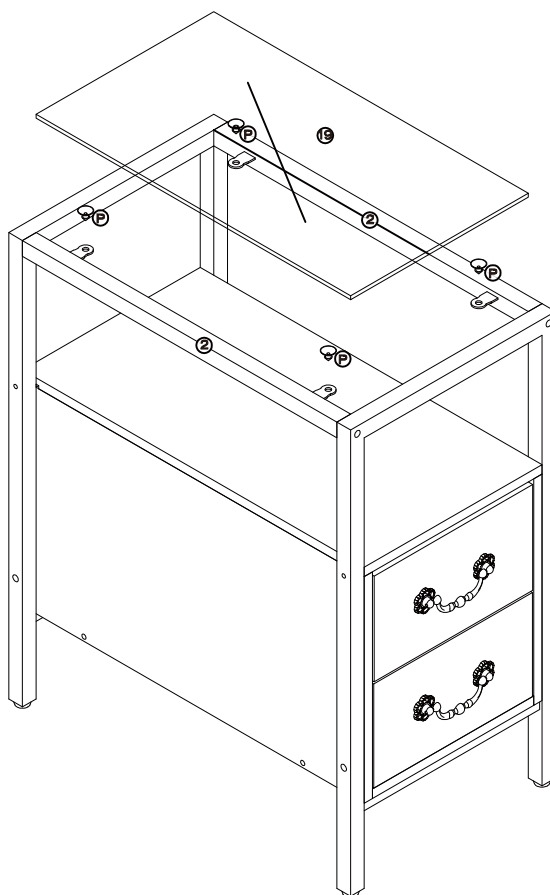
Step 18



Step 19



Step 20



Step 21

Check and tighten all screws

