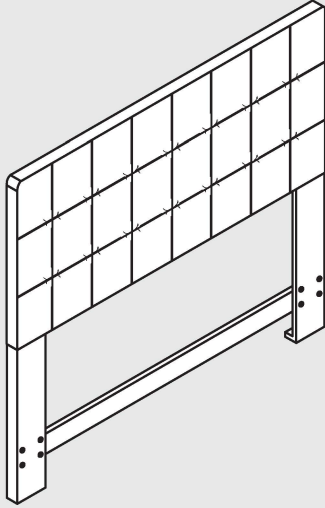


Model: _____

Lot No: _____

Date of Purchased: _____

FULL / QUEEN HEADBOARD



ADULT ASSEMBLY REQUIRED

If you are missing any parts or have any questions regarding assembly, do not return this item to the retailers store.

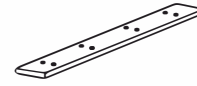


PARTS AND HARDWARE

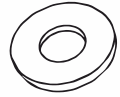
Avoid using sharp objects such as a knife to cut open packing as you may accidentally damage the upholstery.



A. 1-3/4" Bolt
20x



B. Connector
2x



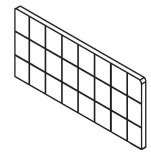
C. Shim
24x



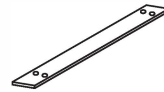
D. Spring
24x



E. Wrench
1x



F. Headboard
1x



G. Foot Connector
1x



H. 1" Bolt
4x



I. Foot
2x

WARNING: This product may contain small components, please ensure they are kept away from small children.

ASSEMBLY INSTRUCTIONS

