

Trouble-Shooting

If you've followed the instructions carefully and your faucet still does not work properly, take these corrective steps.

Problem	Cause	Action
Leaks underneath handle.	Lock nut has come loose.	Tighten the lock nut.
Water will not shut off completely.	Dirty or damaged cartridge.	Remove handle and cartridge to check if ceramic disk is damaged permanently or dirty. Re-install the cartridge or replace the cartridge. Check the rubber o-ring to make sure it is seated properly in the cartridge. If not reposition the o-ring and reseal the cartridge.
Spray head leaks or has an inconsistent water flow pattern.	Spray head is dirty or misfitted, or washer is dirty.	Unscrew the spray head to check washer if it is dirty. If dirty, clean it with a brush and re-install it. Or check the spray head and replace it.

Lifetime Limited Warranty

The manufacturer warrants that the parts and assemblies of this product will be free from defects in material and workmanship under normal household use for as long as it is owned by the original consumer purchaser.

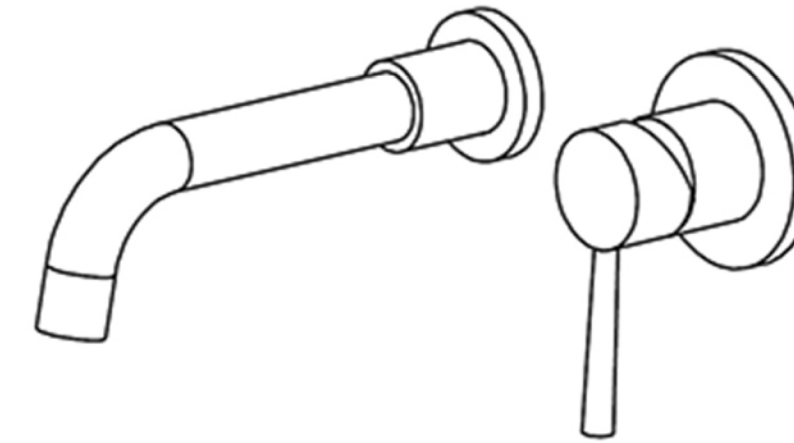
This warranty covers the original consumer purchaser only and does not include business, commercial or industrial use of this product. This warranty shall not apply to goods which have been subject to accidents, negligence or improper installation. Our responsibility under this warranty is limited only to the replacement of parts and no other costs. Should a malfunction occur within the time covered by this warranty, replacement parts may be obtained from the Customer Service Department. The manufacturer will at its discretion, provide replacement parts for installation by the consumer for any parts that prove defective under normal usage and service with new and like or equivalent parts.

Have a question? DON'T GO BACK TO THE STORE, WE CAN HELP, just send an email to xmc57@sina.com.

R BROHANT®

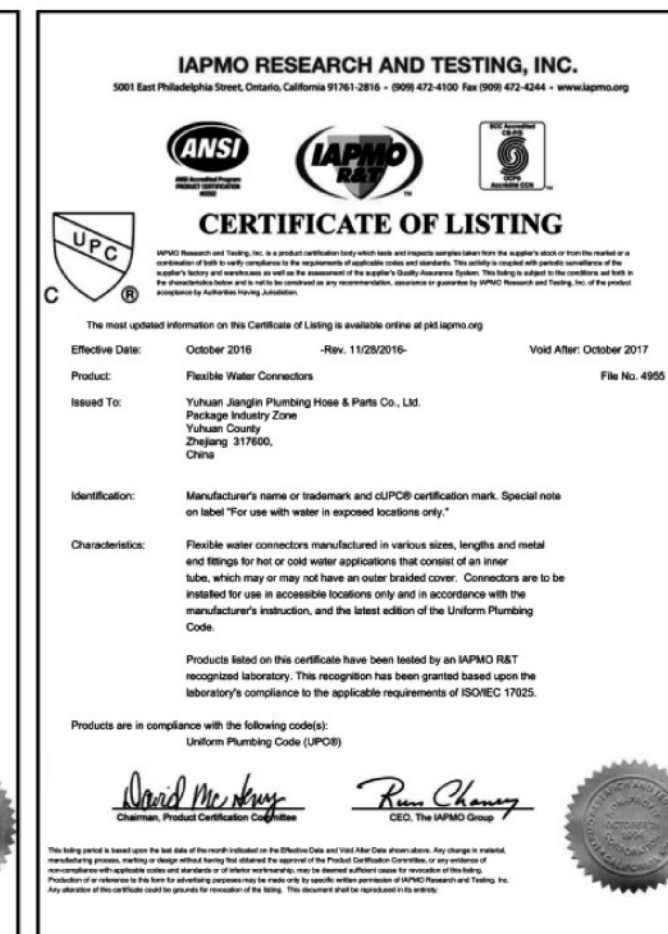
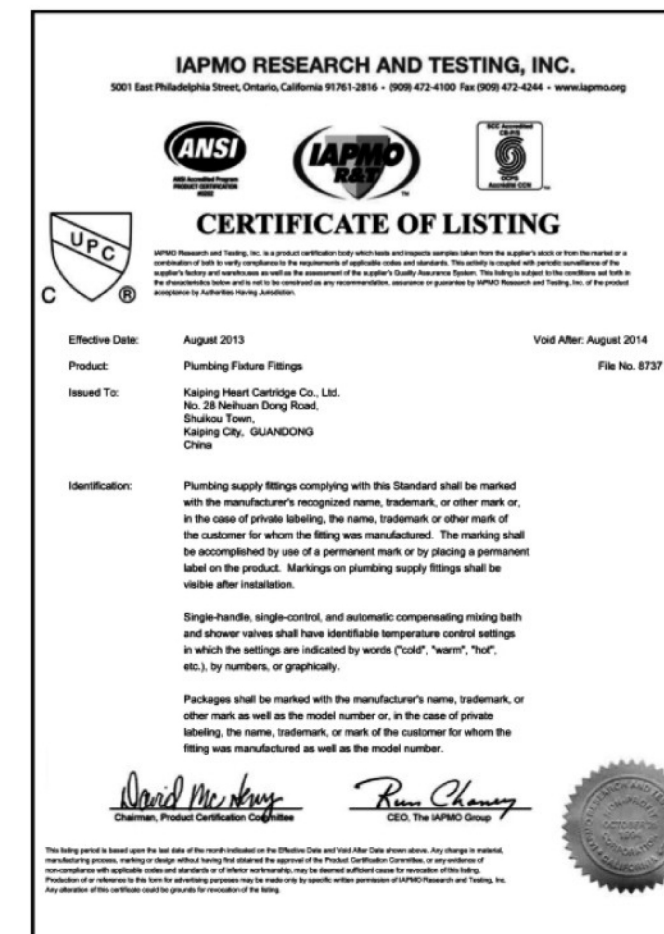
Leading the trend of bathing

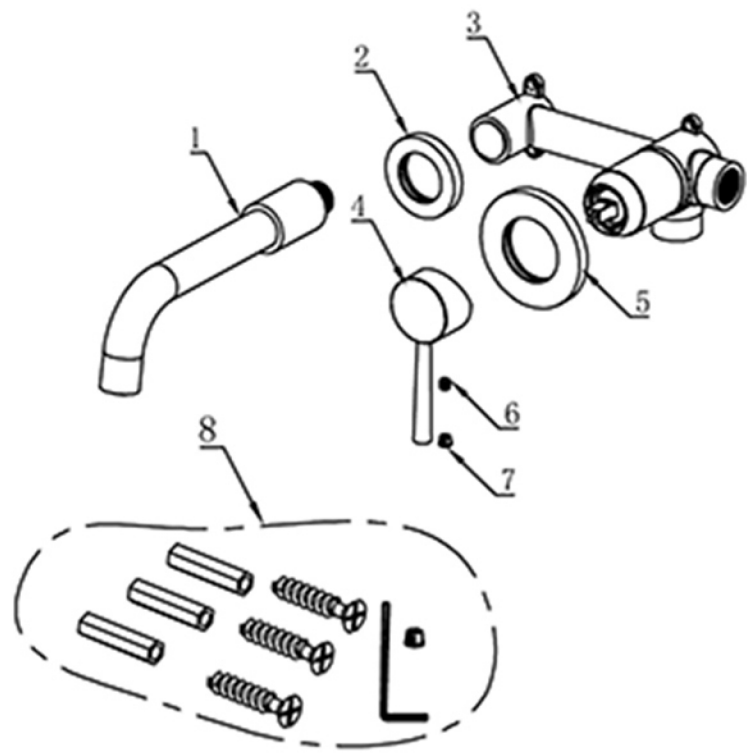
USER MANUAL



BASIN FAUCET

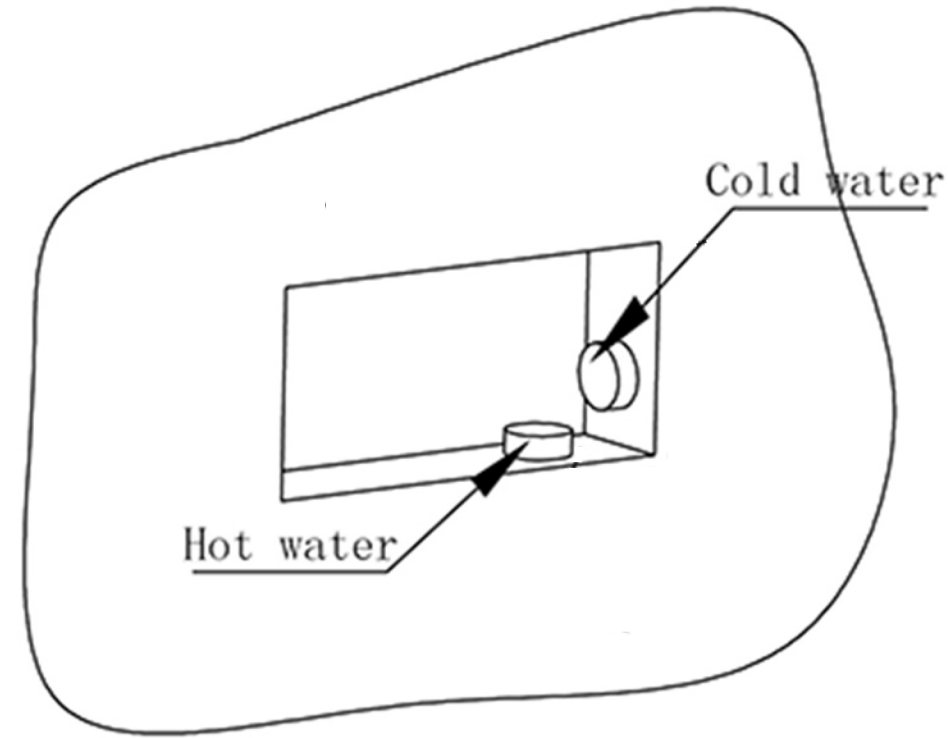
For Models: RWBF60009MB
RWBF60009BG



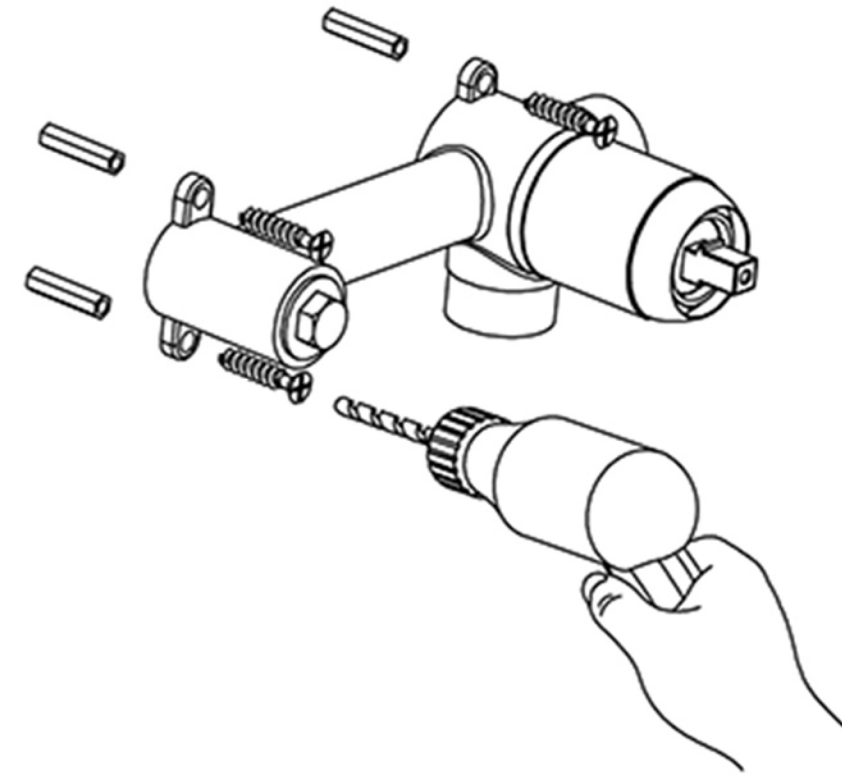


S.N.	Name	Qt'y
1	Outlet Pipe	1
2	Cover for Outlet Pipe	1
3	Body	1
4	Handle	1
5	Decoration cover for body	1
6	Screw	1
7	Decoration button	1
8	Accessories Bag	1

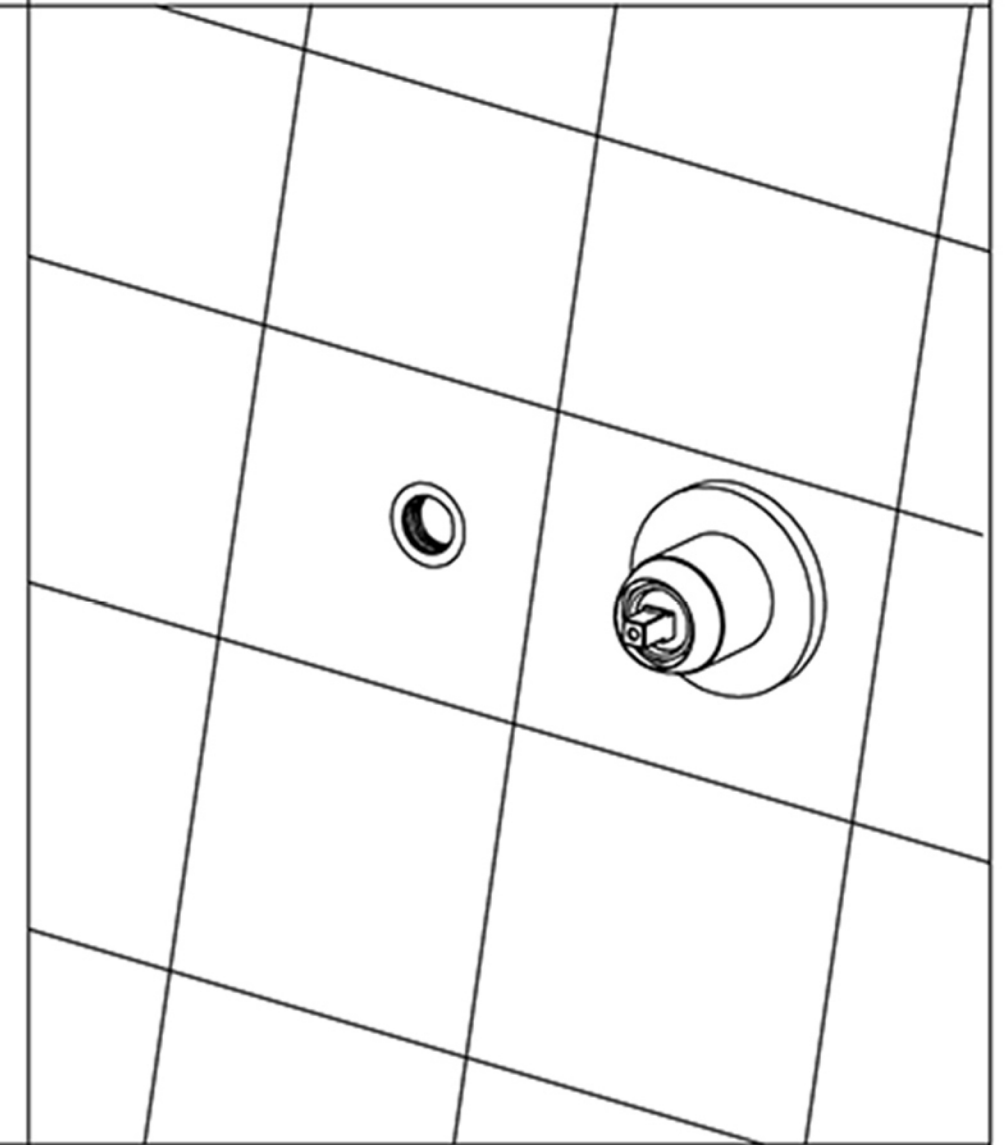
2. Connect to the cold and hot water supplies before screwing the body onto the hole provided.



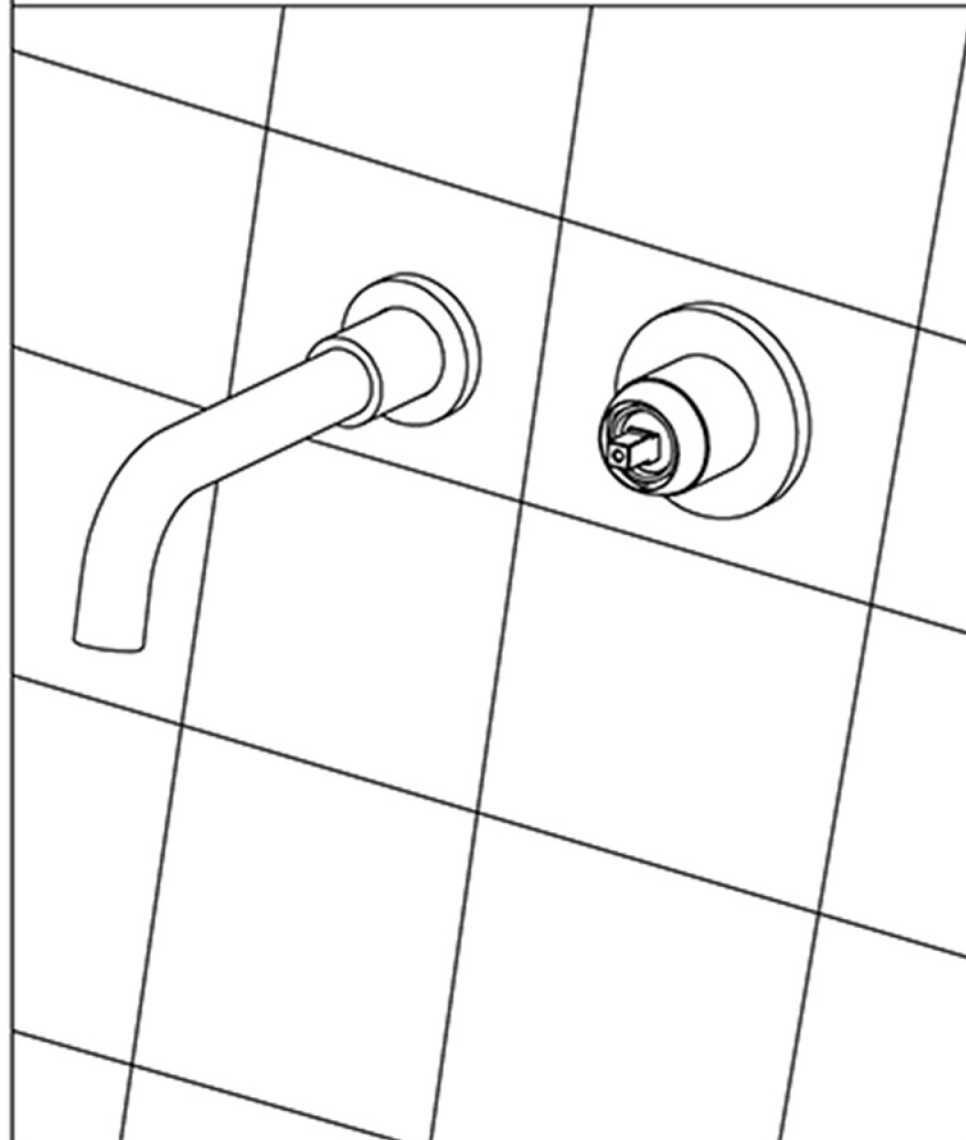
3. Screw the Body on after inlet pipes connected.



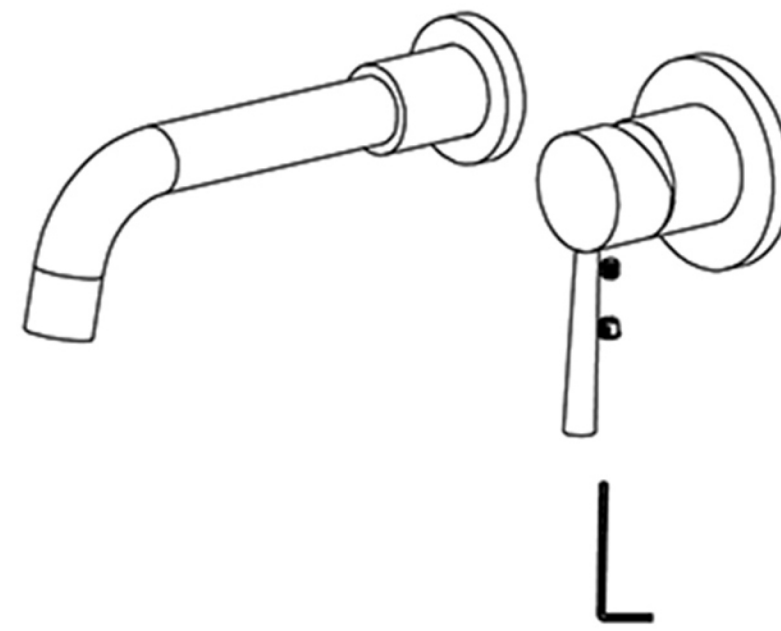
4. Mount decoration cover for body (Remove plastic cover and plastic plug).



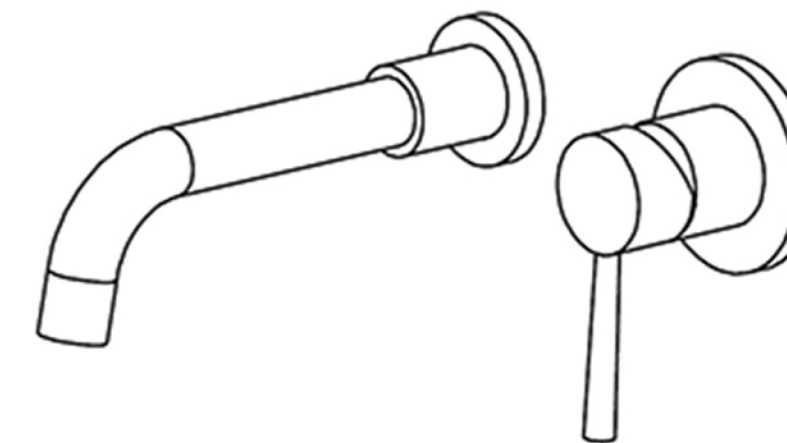
5. Install outlet pipe (Convolve Teflon tape round screw).



6. Mount the handle (Tighten screw with wrench, then mount the decoration cover).



7. Installation finished.



UNIT: MM

