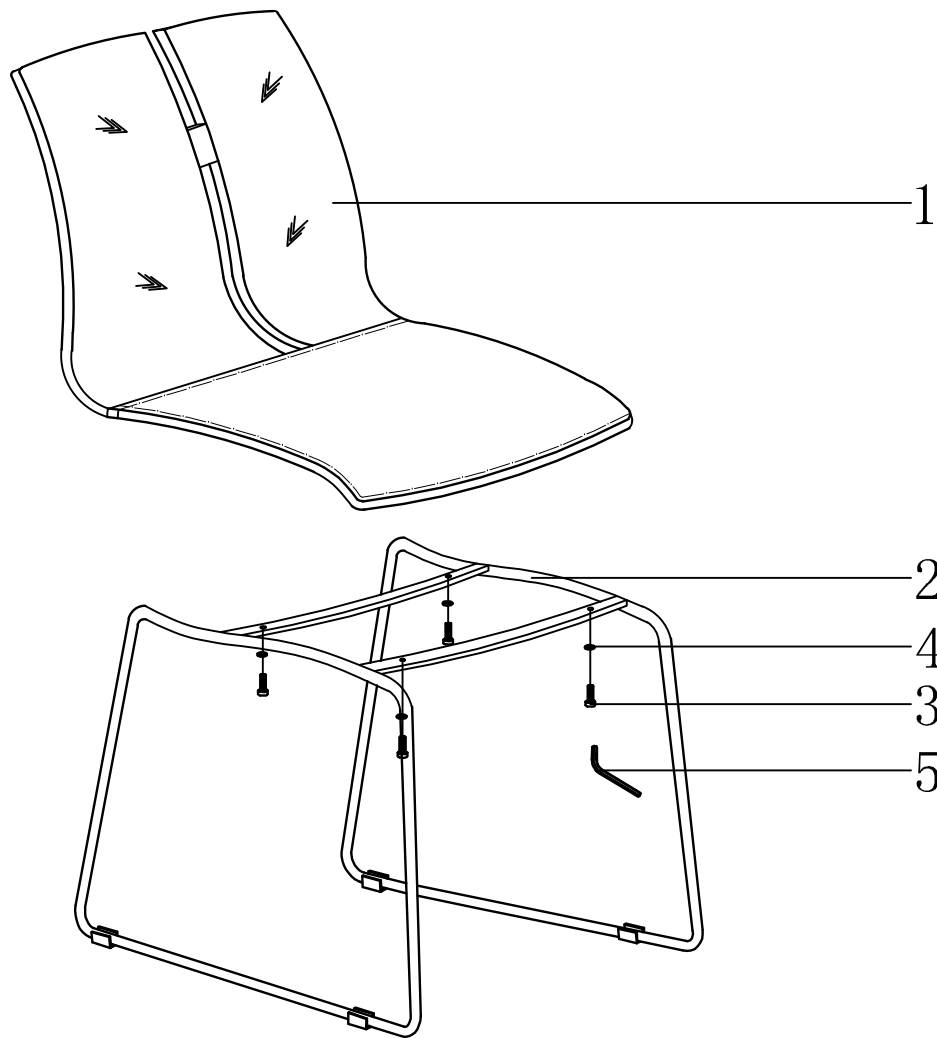







ASSEMBLING INSTRUCTION



5		S4	1
4		$\Phi 16*1.5-\Phi 6.5$	4
3		M6*20	4
2		500*550*450	1
1		480*610*380	1
Number	Description	Measurement	Pieces