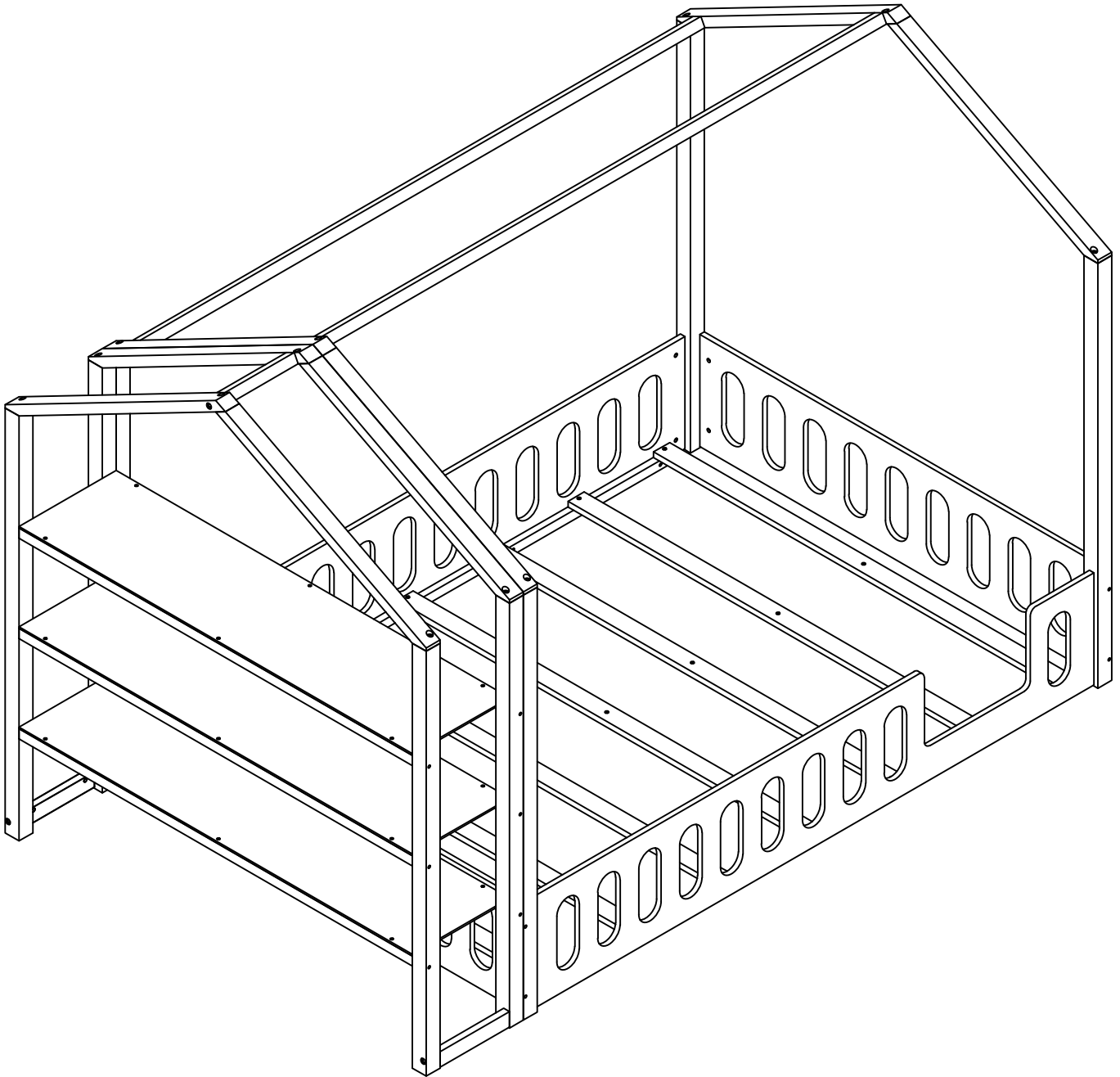


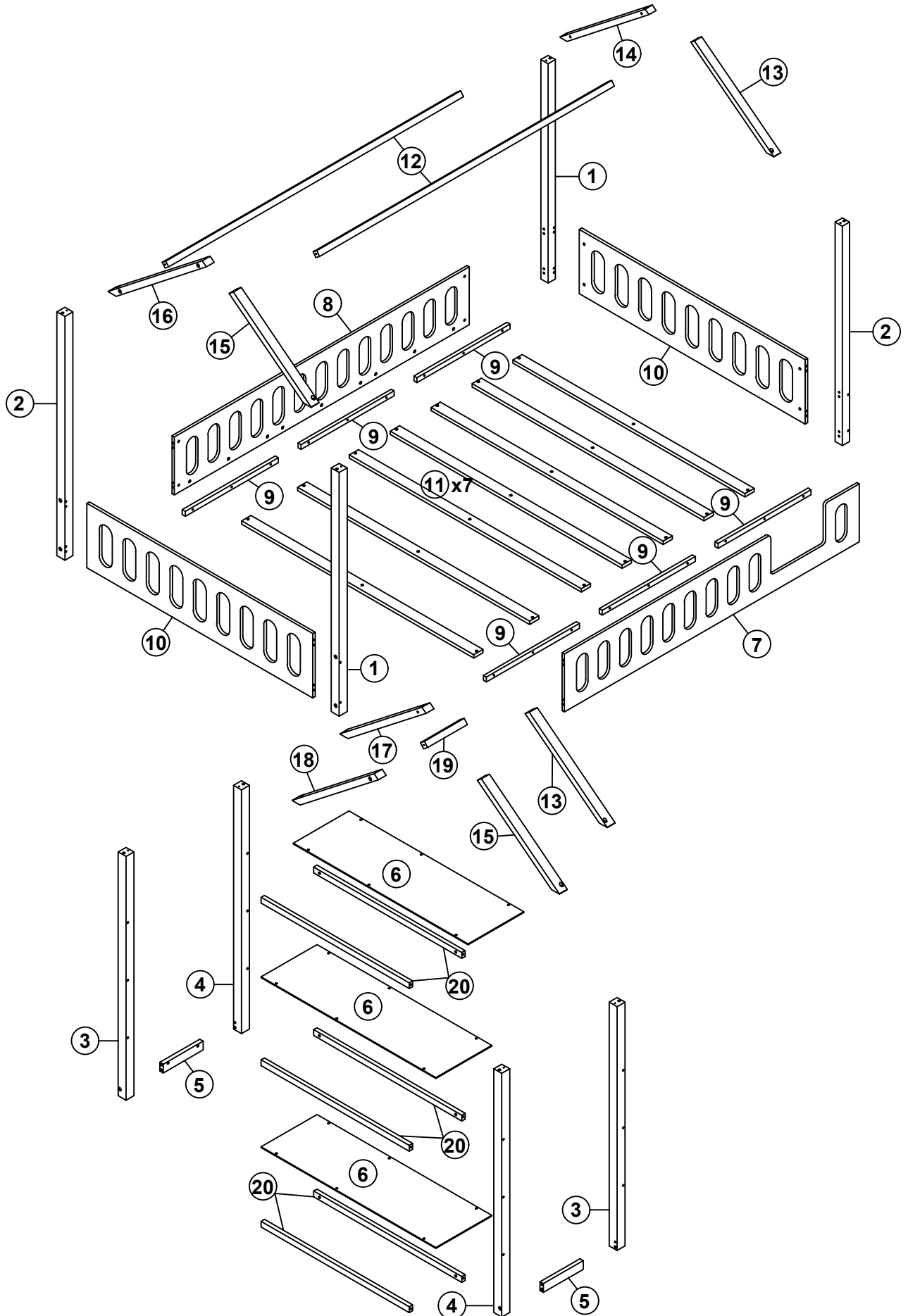
ASSEMBLY INSTRUCTIONS

FULL BED WITH BOOK-SHELF



WF313775/WF313776

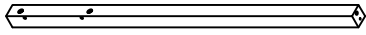
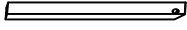
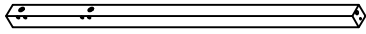
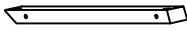
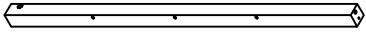
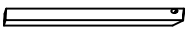
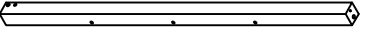
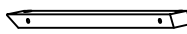
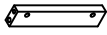

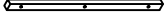
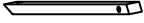
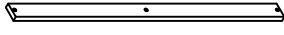
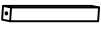
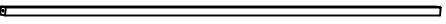

ASSEMBLY INSTRUCTIONS



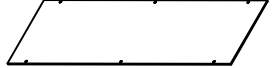



ASSEMBLY INSTRUCTIONS

PARTS LIST

WF313775 (hardware in this SKU)

1	Legs 	2pcs	13	Roof top 	2pcs
2	Legs 	2pcs	14	Roof top 	1pc
3	Legs 	2pcs	15	Roof top 	2pcs
4	Legs 	2pcs	16	Roof top 	1pc
5	Shelf panels support 	2pcs	17	Roof top 	1pc
9	Support side rails 	6pcs	18	Roof top 	1pc
11	Slats 	7pcs	19	Roof top support 	1pc
12	Roof top support 	2pcs	20	Shelf panels support 	6pcs










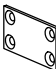
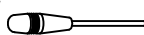
WF313776

6	Shelf panels 	3pcs	8	Side rails panels 	1pc
7	Side rails panels 	1pc	10	Headboard frame 	2pcs

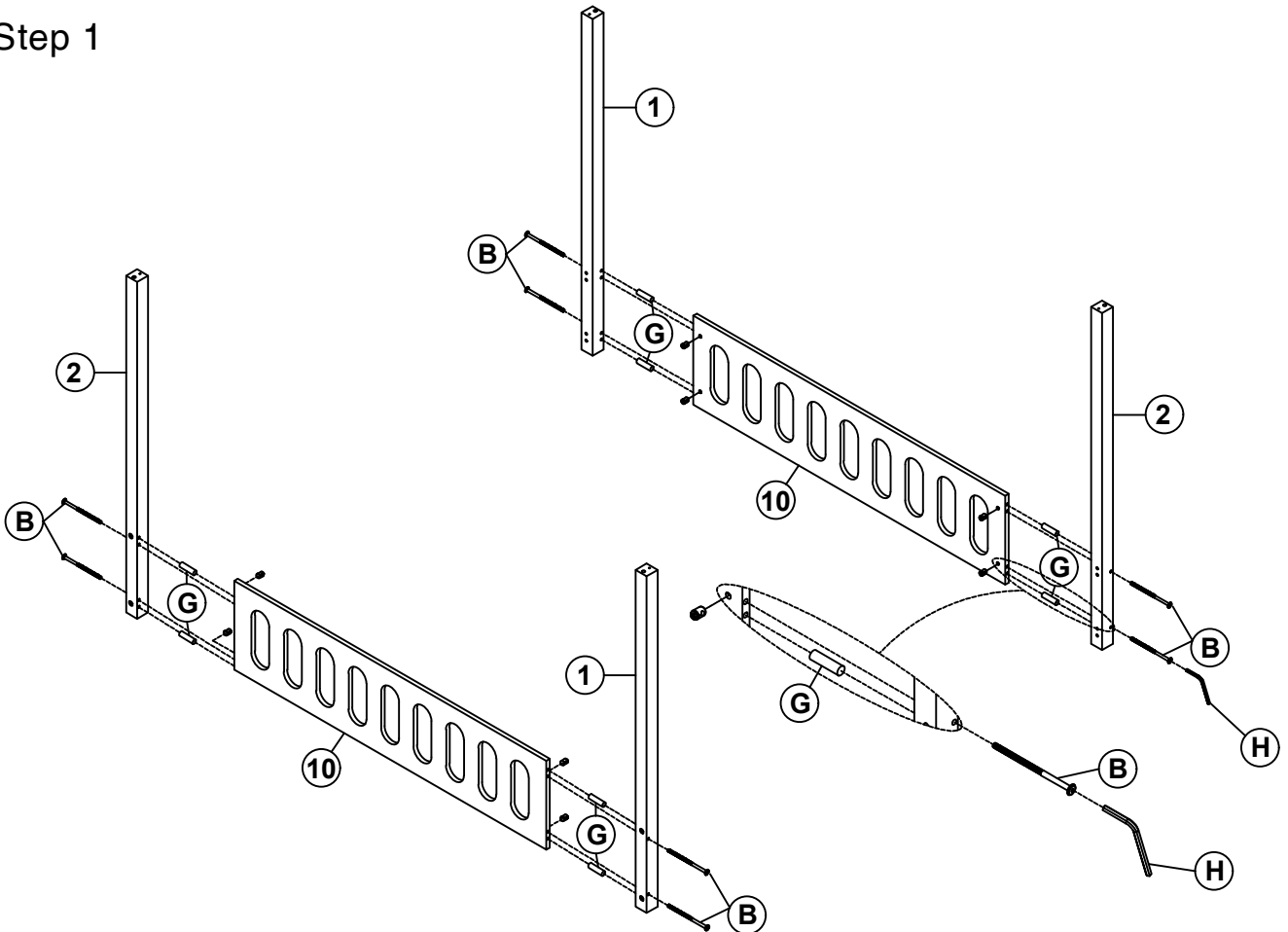
ASSEMBLY INSTRUCTIONS




PARTS LIST

HARDWARE LIST (WF313775)

A	Ø4x30		14PCS	F	Ø10x40		16PCS
B	1/4x90		32PCS	G	Ø8x30		16PCS
C	6.5x90		6PCS	H	4x58		1PC
D	6.5x60		12PCS	I	3.5x15		34PC
E	1/4x30		18PCS	J	50x28x2		4PCS
					Phillip head screw Not include		

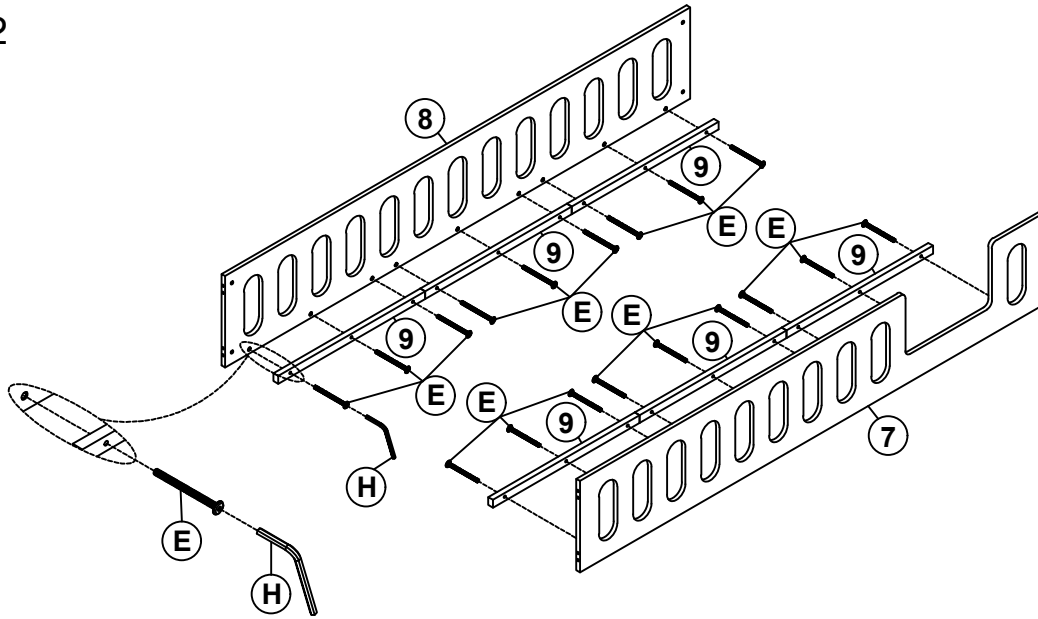
Step 1





H	4x58		1PC	G	Ø8x30		8PCS
B	1/4x90		8PCS				

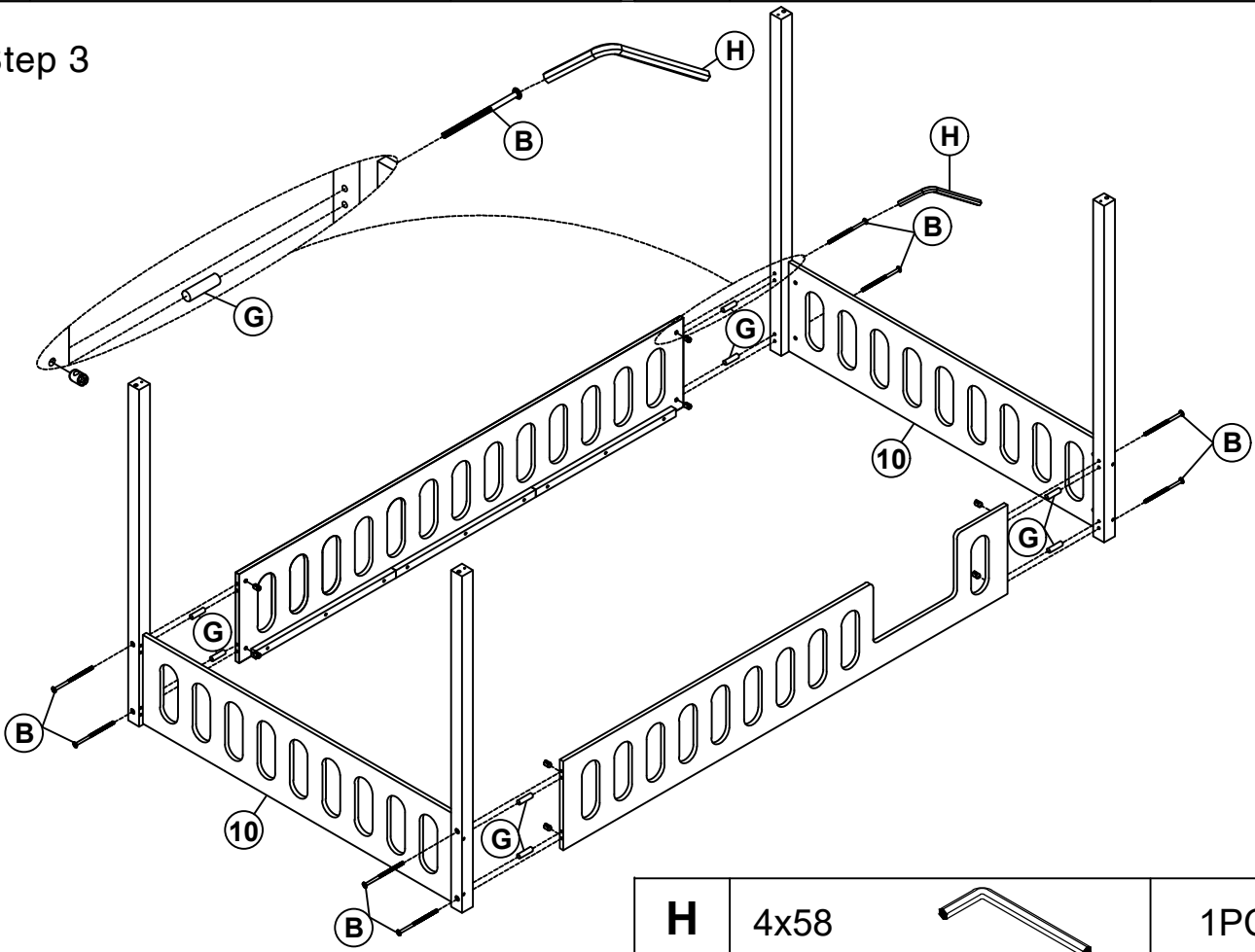
ASSEMBLY INSTRUCTIONS



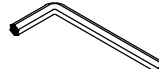

Step 2



H	4x58		1PC	E	1/4x30		18PCS
----------	------	---	-----	----------	--------	---	-------

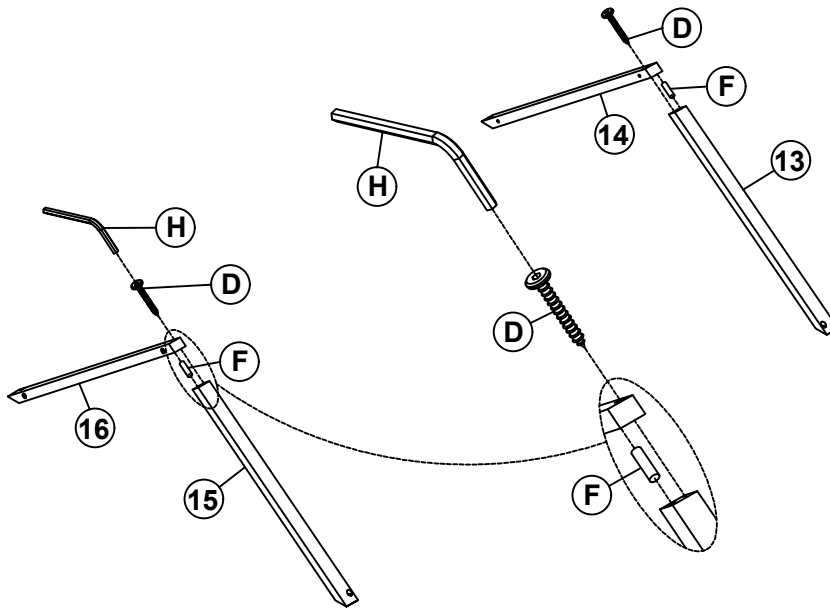
Step 3






B	1/4x90	 	8PCS	H	4x58		1PC
				G	Ø8x30		8PCS

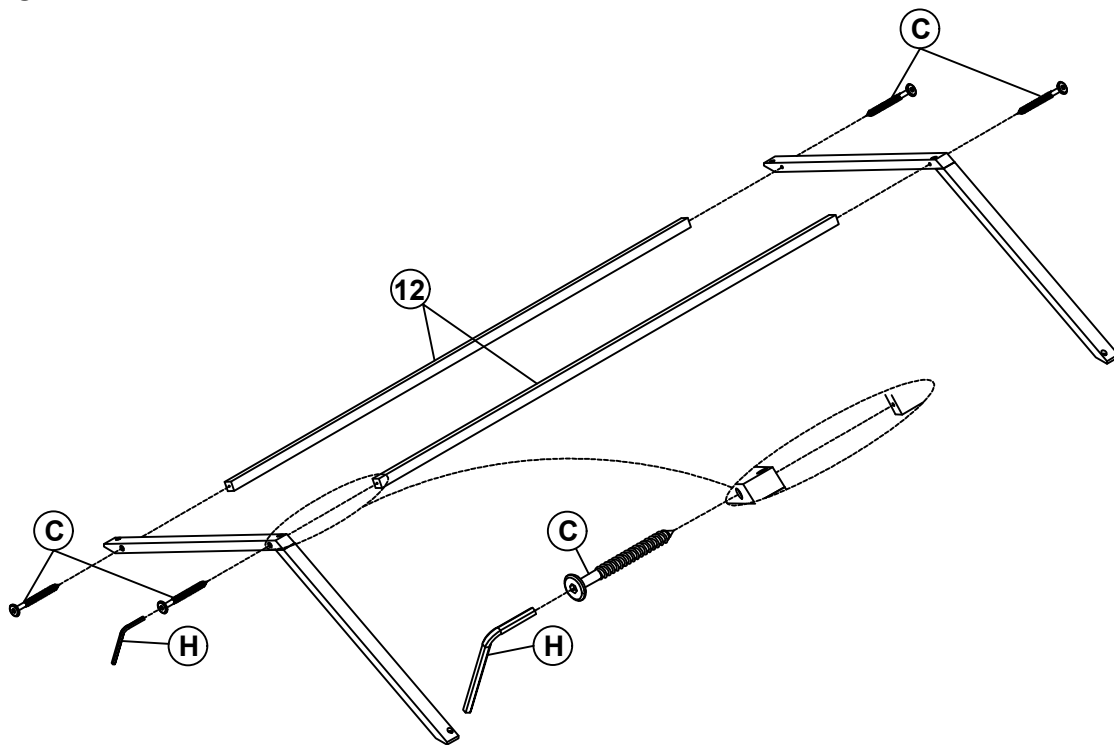
ASSEMBLY INSTRUCTIONS

Step 4



H	4x58		1PC
F	Ø10x40		2PCS
D	6.5x60		2PCS

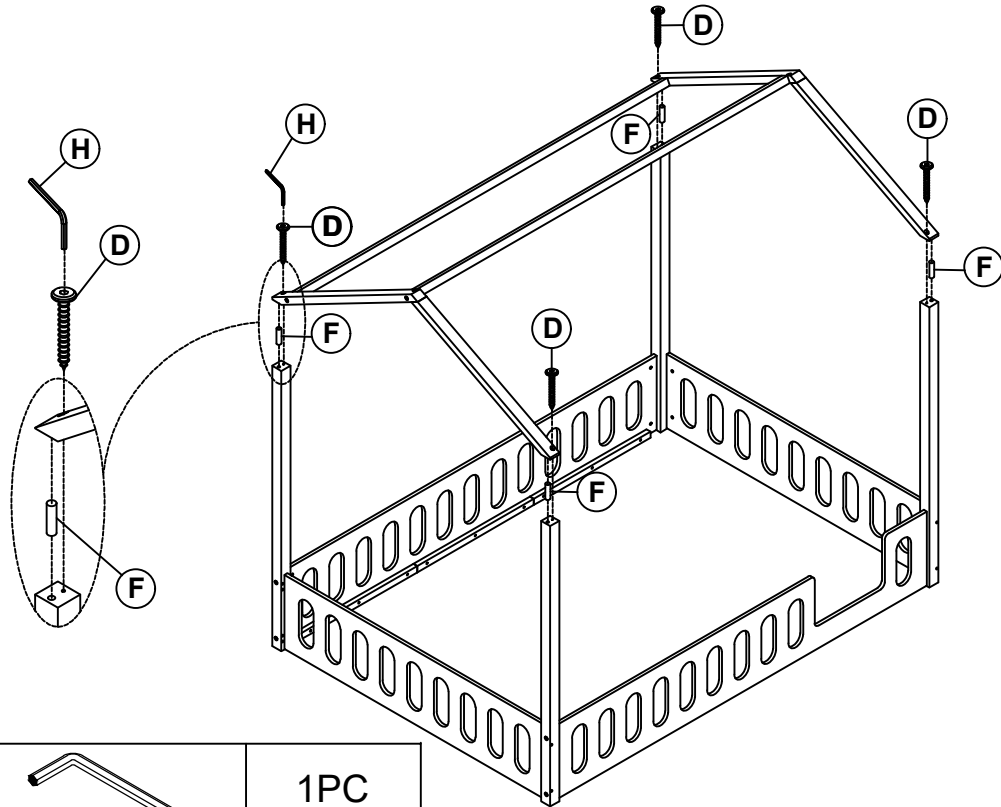
Step 5

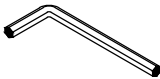




C	6.5x90		4PCS	H	4x58		1PC
----------	--------	---	------	----------	------	---	-----

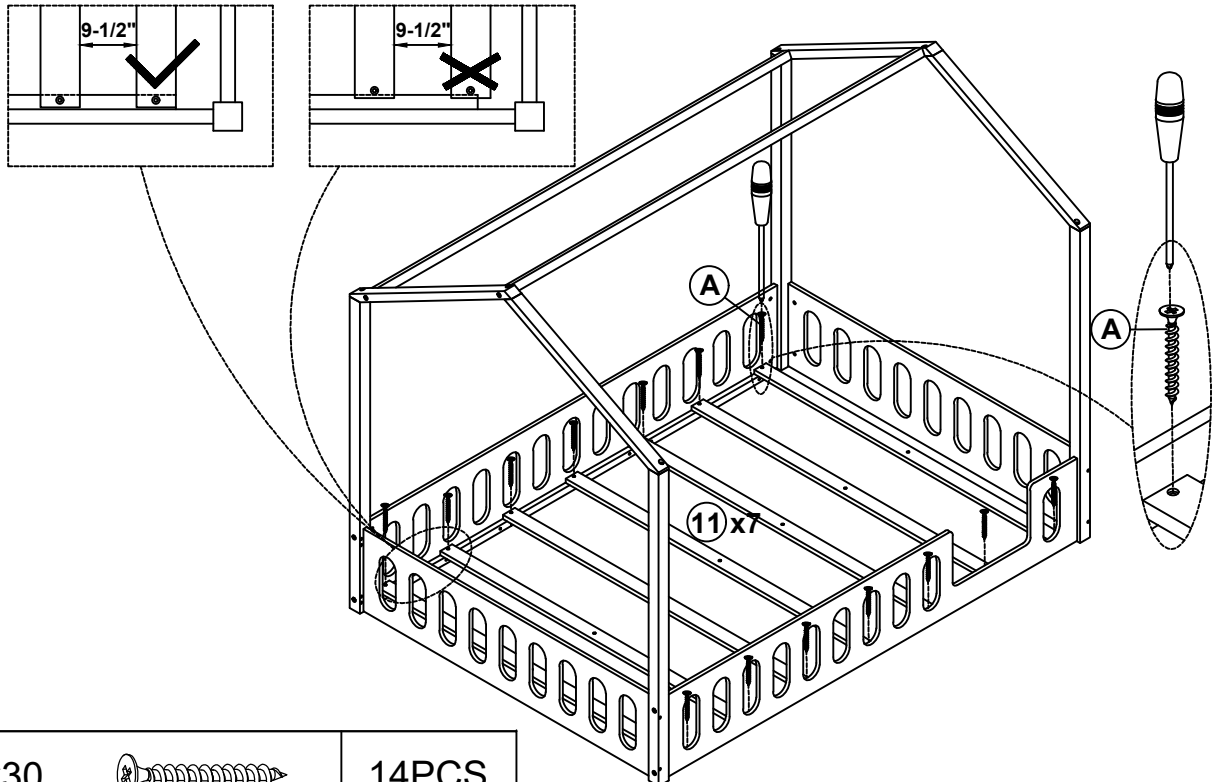
ASSEMBLY INSTRUCTIONS


Step 6



H	4x58		1PC				
F	Ø10x40		4PCS	D	6.5x60		4PCS

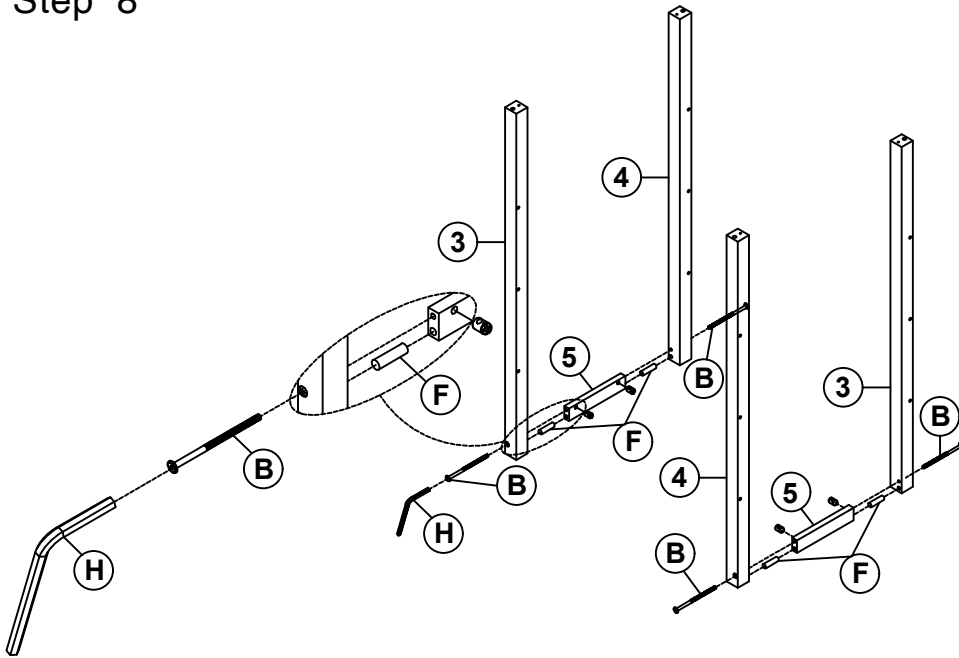
Step 7 First attach 2pcs part 11 to the front and end of the frame, between side rails. Then attach the remaining part 11 equidistantly between side rails.






A	Ø4x30		14PCS
----------	-------	---	-------

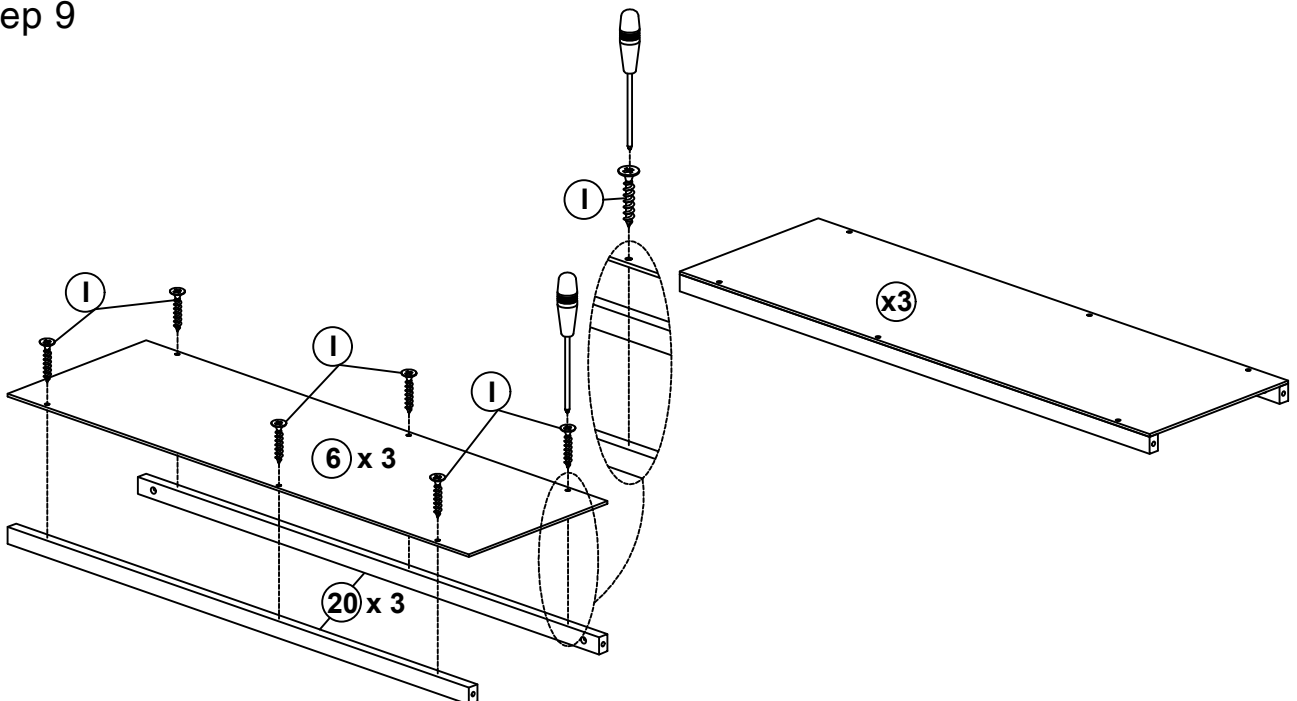
ASSEMBLY INSTRUCTIONS


Step 8



H	4x58		1PC
B	1/4x90		4PCS
F	Ø10x40		4PCS

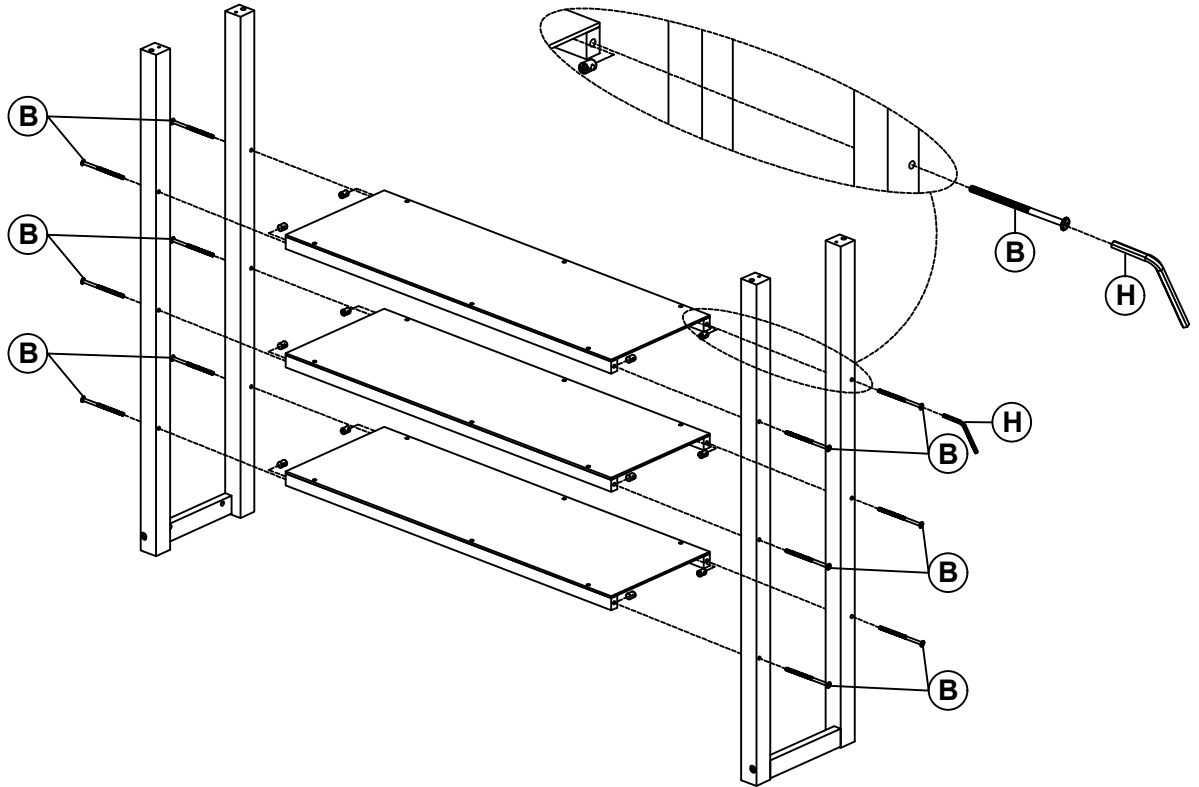
Step 9



I	3.5x15		18PCS
----------	--------	---	-------

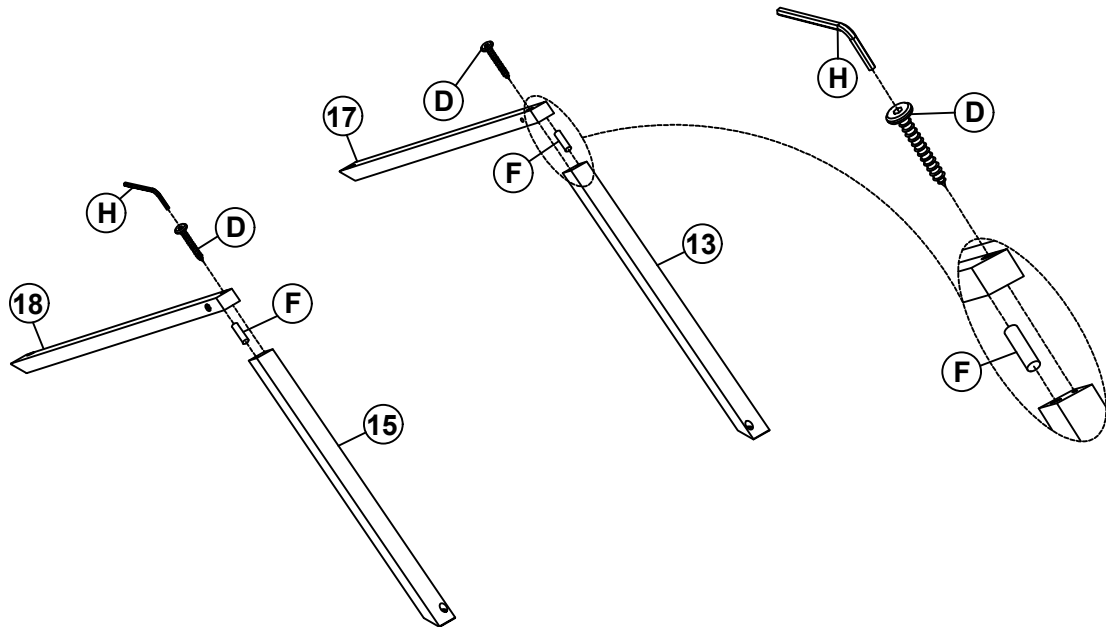
ASSEMBLY INSTRUCTIONS

Step 10



B	1/4x90		12PCS	H	4x58		1PC
----------	--------	--	-------	----------	------	--	-----

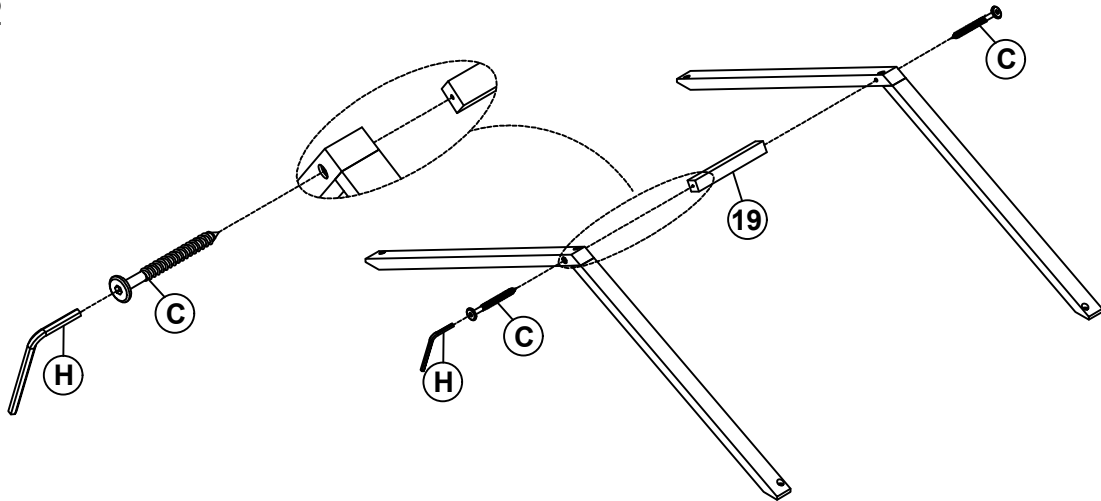
Step 11





				H	4x58		1PC
F	Ø10x40		2PCS	D	6.5x60		2PCS

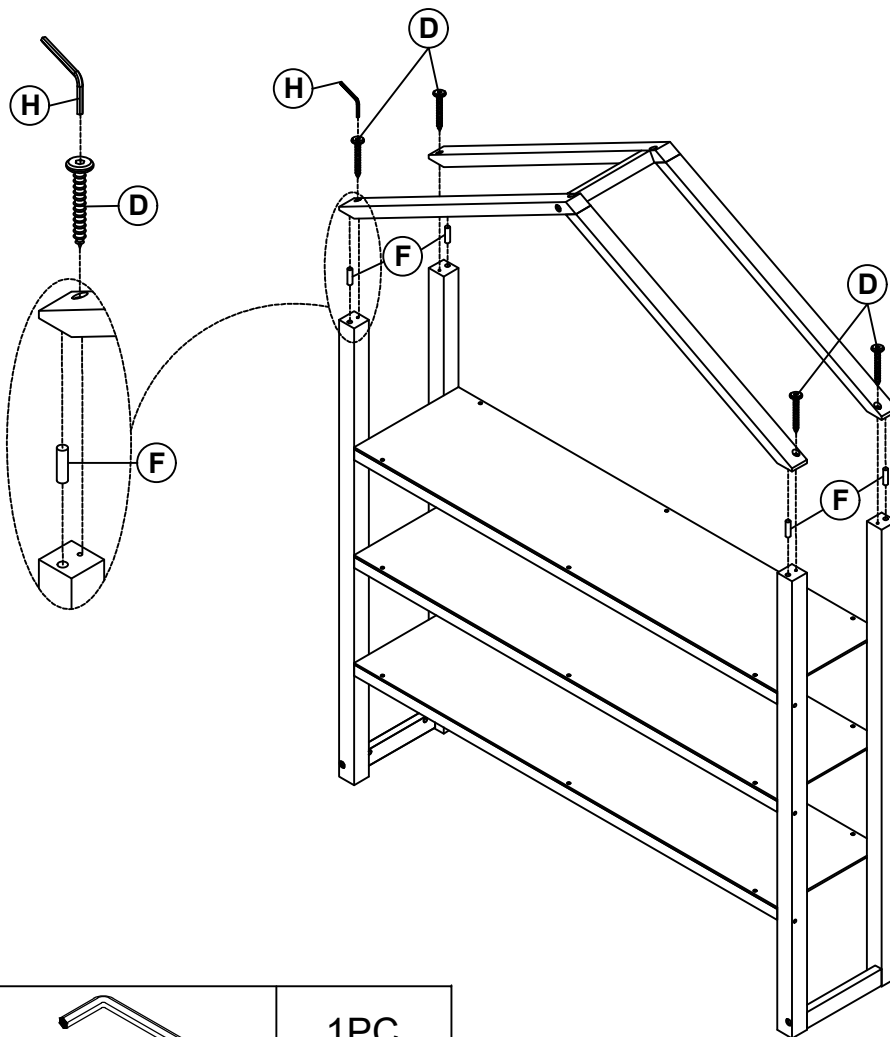
ASSEMBLY INSTRUCTIONS




Step 12



H	4x58		1PC	C	6.5x90		2PCS
----------	------	---	-----	----------	--------	---	------

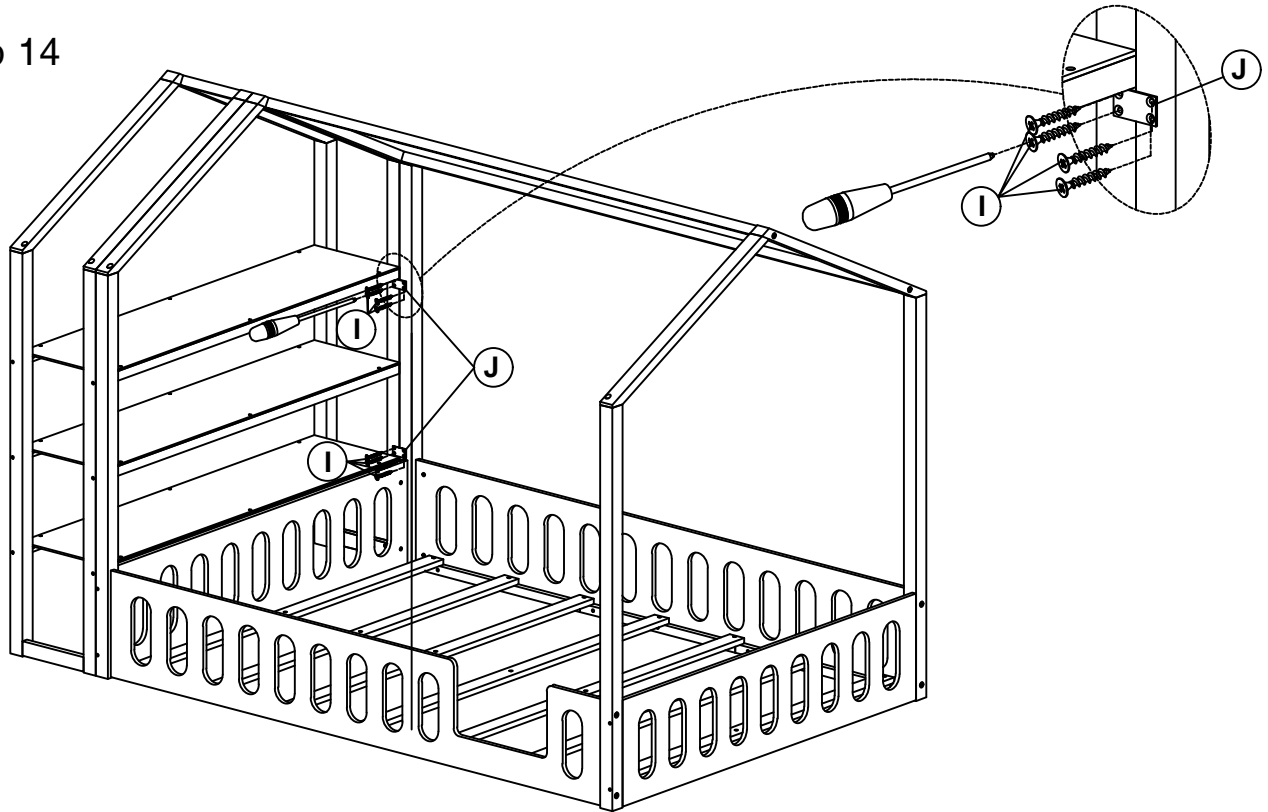
Step 13



H	4x58		1PC	D	6.5x60		4PCS	F	Ø10x40		4PCS
----------	------	---	-----	----------	--------	---	------	----------	--------	---	------

ASSEMBLY INSTRUCTIONS

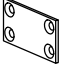

Step 14



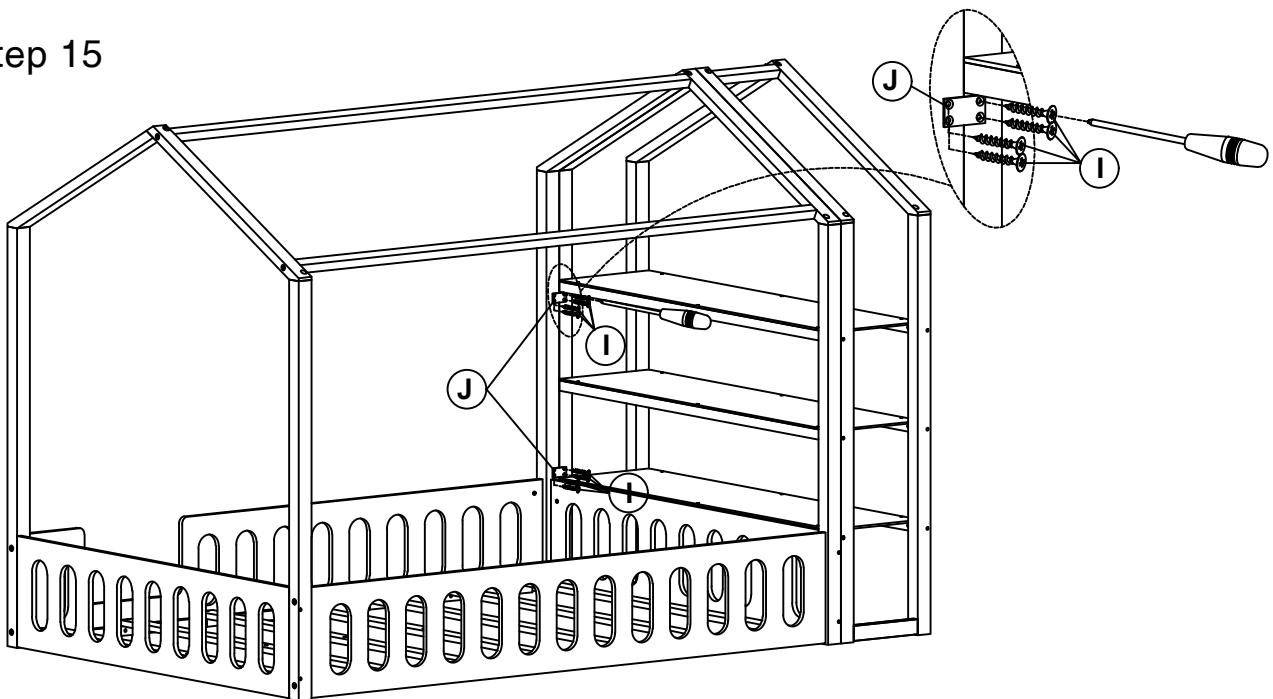
This step has 2 options:

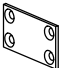

Options 1: This shelf can be assembled on the left or right side of the bed.

Options 2: Can be installed and placed anywhere without placing it next to the bed, no need to use part J at this time.

J	50x28x2		2PCS	I	3.5x15		8PCS
----------	---------	---	------	----------	--------	---	------

Step 15



J	50x28x2		2PCS	I	3.5x15		8PCS
----------	---------	---	------	----------	--------	---	------