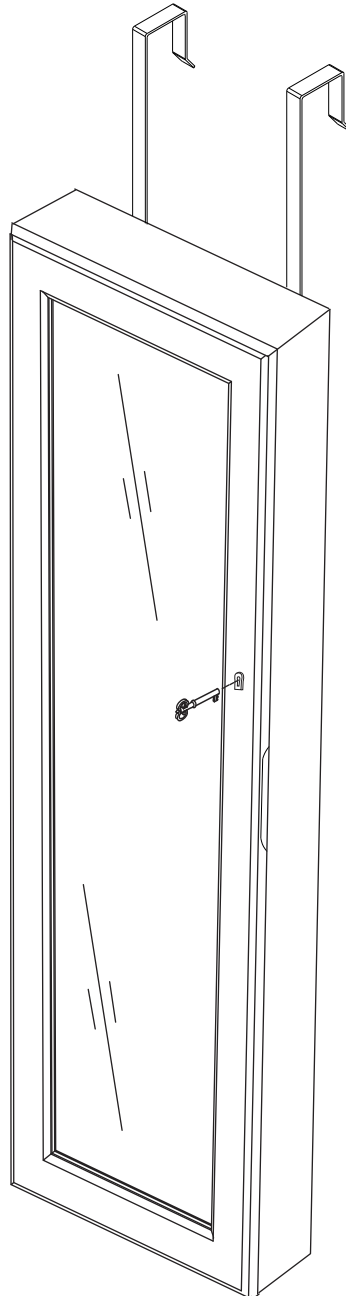


Instruction Manual

Wall/Door Mounted Jewelry Armoire



Thank you for your order.
We hope you enjoy your purchase.


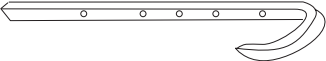
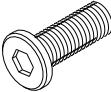

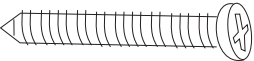
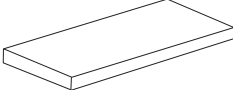
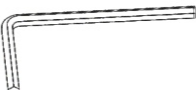

PRE-ASSEMBLY PREPARATION:



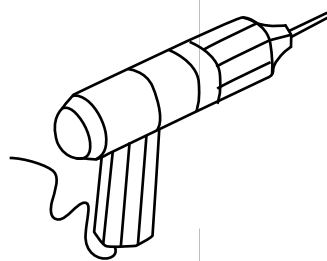
THIS PACKAGE MAY CONTAIN SMALL ITEMS WHICH SHOULD BE KEPT AWAY FROM CHILDREN

- Please check that all parts and hardware are included before beginning assembly.
- Save all packing materials until assembly is complete to avoid accidentally discarding smaller parts or hardware.
- Read through the preparation and assembly instructions in full before beginning assembly.
- Please use CAUTION AND CARE WHEN LIFTING the product to avoid personal injury and (or) damage to the product.
- The following additional tools are required for assembly: drill [NOT PROVIDED IN HARDWARE PACKAGE].
- For ease of assembly, two adults are recommended.

LIST:

 A : 1pc	 B : 2pcs	 C : 4pcs	 D : 2pcs
 E : 2pcs	 F : 1pc	 G:1pc	 H:1pc

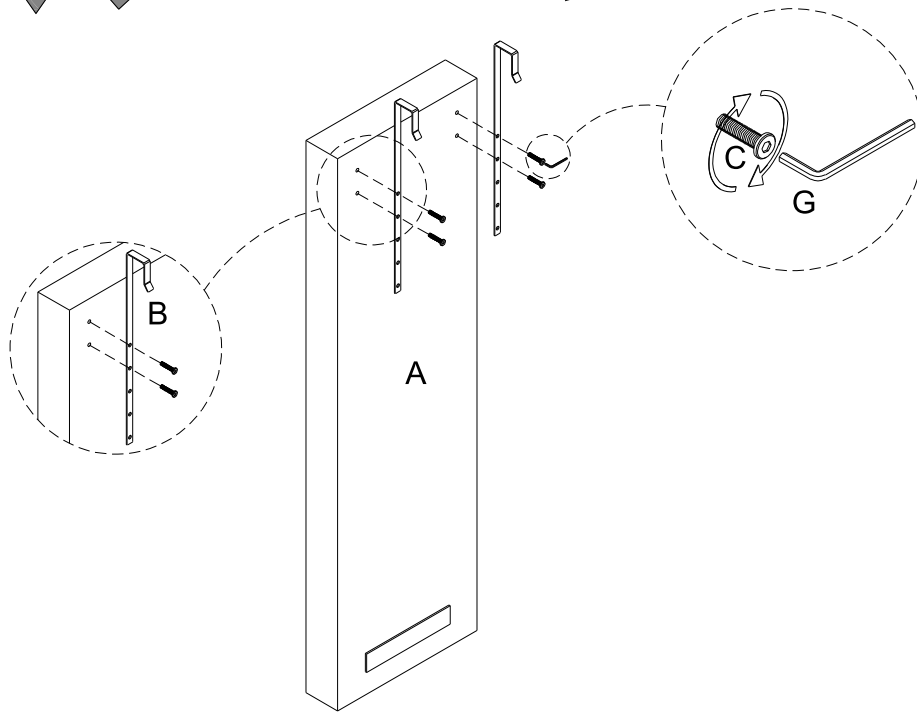
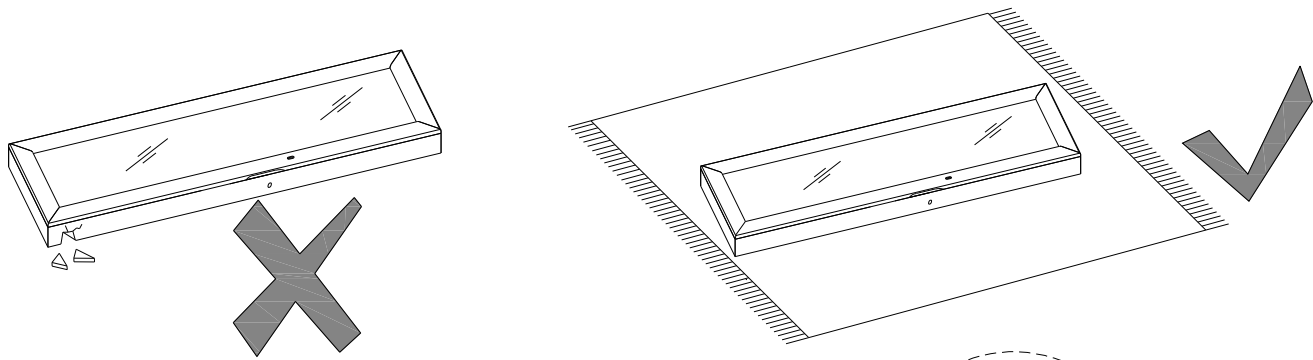
TOOLS REQUIRED:




Drill

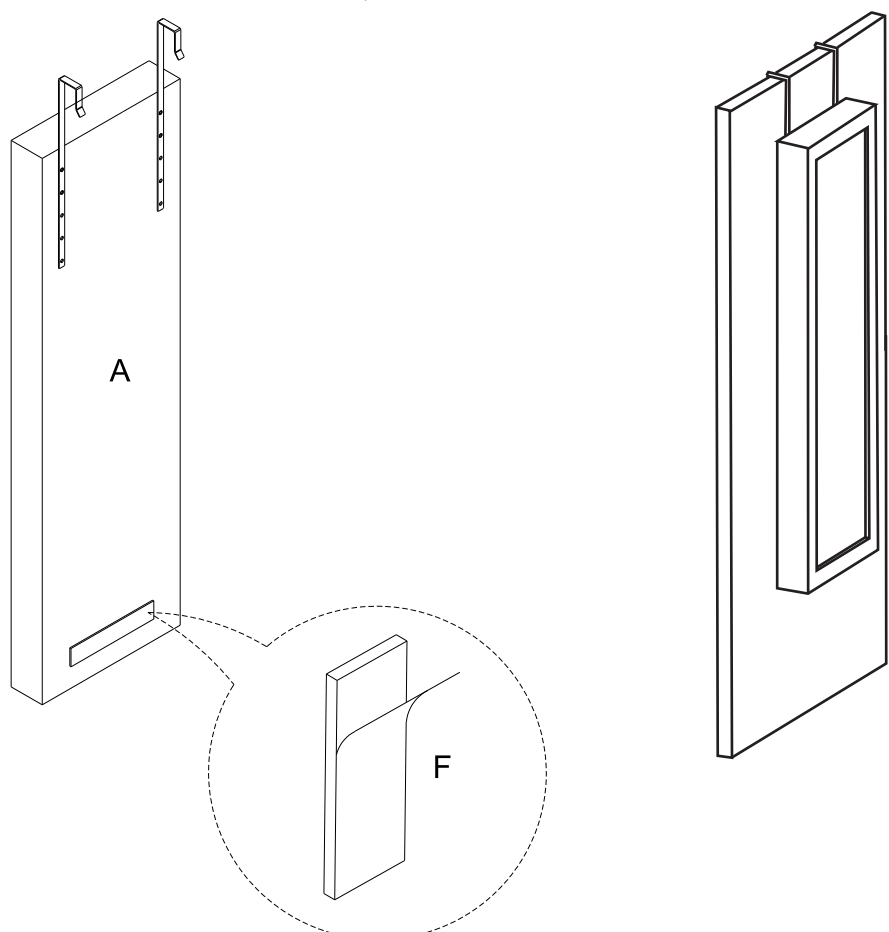
Instructions for hanging over the door:


STEP 1:



C :  - 4 pcs

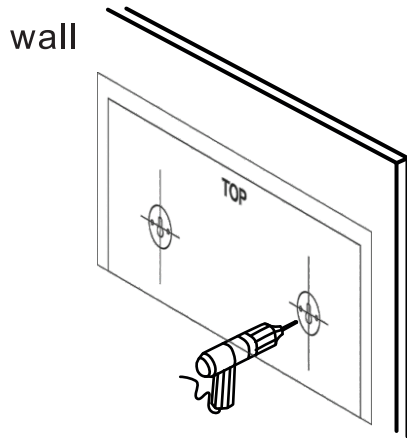
STEP 2:



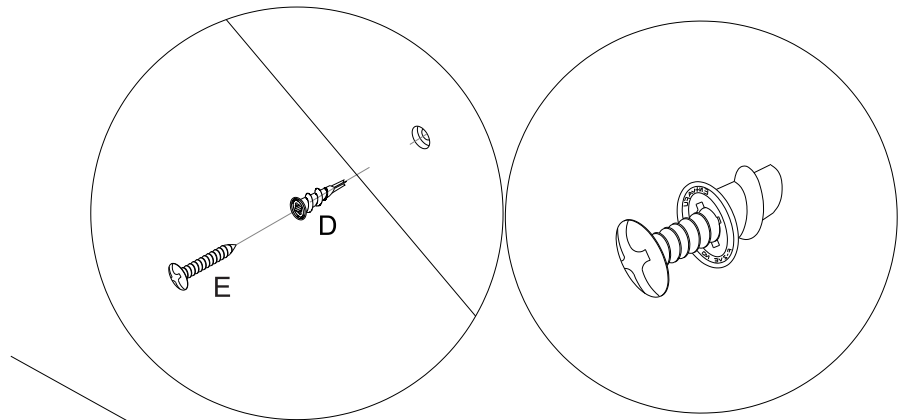
F :  - 1 pc

Instructions for hanging on the wall:

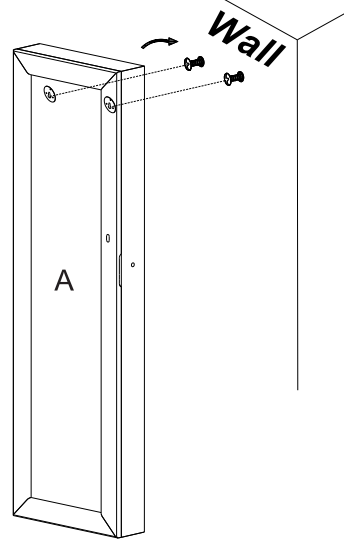
STEP 1:





STEP 2:



STEP 3:

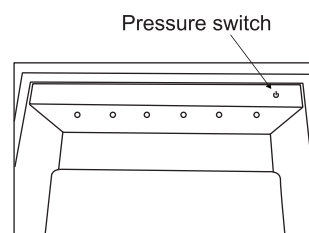
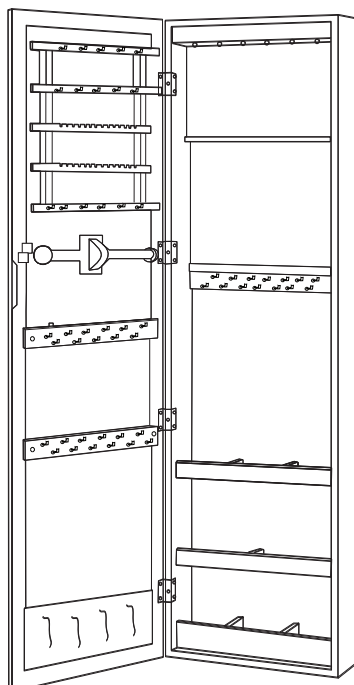


D:  - 2 pcs

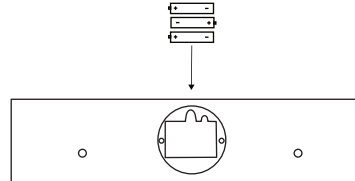
E:  - 2 pcs

Instructions for battery powered LED lights:

STEP 1:



3AAA Batteries



Open battery box lid, put 3AAA batteries and cover the lid.