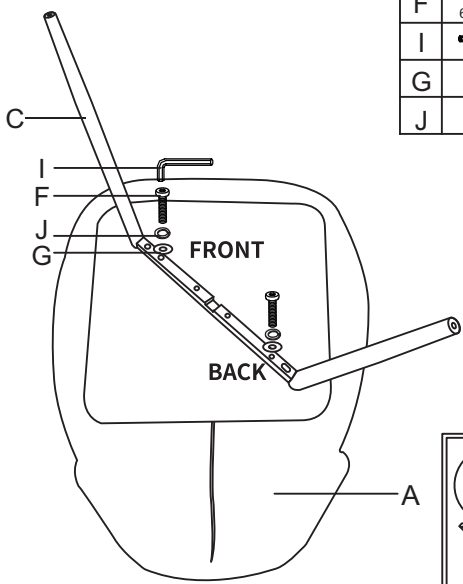


Ax1 	Bx1 	Cx1 	Dx1
Ex4 6x13mm	Fx4 6x50mm	Gx8 	Hx4
Ix1 	Jx8 		

SPARE (Ersatzteile)

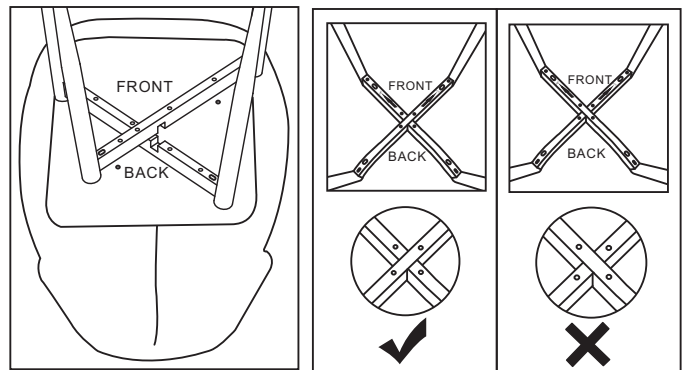
Ex1 6x13mm	Fx1 6x50mm	Gx1 	Hx1 	Jx1
-------------------	-------------------	---------	---------	---------

STEP 1



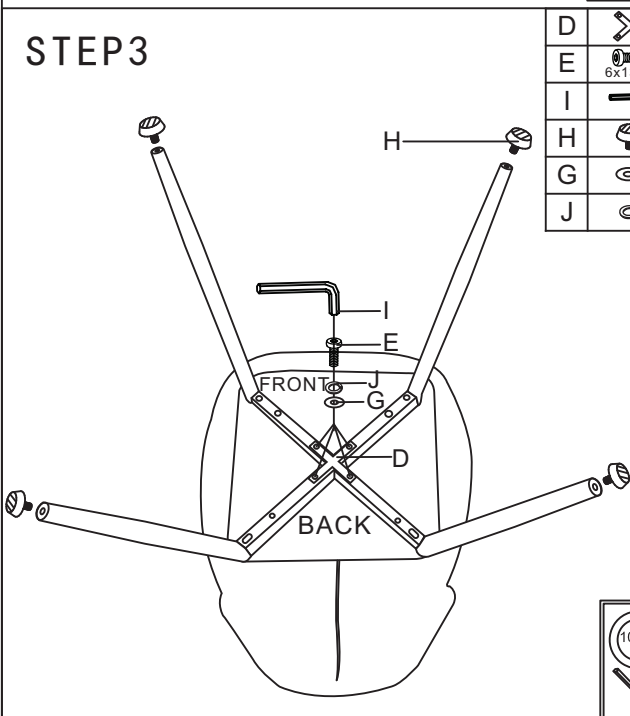
F		2
I		1
G		2
J		2

STEP 2



F		2
I		1
G		2
J		2

STEP 3



D		1
E		4
I		1
H		4
G		4
J		4

