

Installation Instructions

Whirlpool

Retain serial number for reference:
Conserver le numéro de série pour référence:
Guarde el número de serie para
referencia: _____

Français, page "Français-1"
Español, página "Español-1"

THE BOLD LOOK
OF **KOHLER**®

1193346-2-G

Installation Instructions



WARNING: When using electrical products, basic precautions should always be followed, including the following:



DANGER: Risk of electric shock. Connect only to a circuit protected by a Ground-Fault Circuit-Interrupter (GFCI)*.

Building materials and wiring should be routed away from the pump body and other heat-producing components of the unit.

Install to permit access for servicing.

A pressure wire connector marked "Earth/Ground" is provided within the wiring compartment. To reduce the risk of electric shock, connect this connector to the grounding terminal of your electric service or supply panel with copper wire equivalent in size to the circuit conductor supplying this equipment.

Pressure wire connectors are provided on the exterior of the junction box or control within this unit to permit connection of a bonding conductor between this unit and all other exposed metal in the vicinity, as needed to comply with local requirements.

Grounding is required. The unit should be installed by a qualified service representative, and grounded.



WARNING: Risk of injury or property damage. Please read all instructions thoroughly before beginning installation, including the following requirements.



WARNING: Risk of electric shock. A qualified electrician should make all electrical connections.



WARNING: Risk of electric shock. Disconnect power before servicing.

NOTICE: Follow all local plumbing and electrical codes. In Canada, install this unit in accordance with the Canadian Electrical Code, Part 1.

*Outside North America, this device may be known as a Residual Current Device (RCD).

Product Information

Electrical Requirements

The installation must have a Class A Ground-Fault Circuit-Interrupter (GFCI)*. The GFCI protects against line-to-ground shock hazard. **Use a 120 V, 15 A, 60 Hz dedicated service for the whirlpool.**

"H" models require a separate 120 V, 15 A, 60 Hz dedicated service for the heater.

If the pump supply cord is damaged, it must be replaced by the manufacturer, its service agent or similarly qualified persons in order to avoid a hazard. The heater supply cord cannot be replaced. If the heater supply cord is damaged the heater must be replaced.

*Outside North America, this device may be known as a Residual Current Device (RCD).

Product Notices



WARNING: Unauthorized modification may cause unsafe operation and poor performance of the whirlpool. Do not relocate the whirlpool pump, or make other modifications to the whirlpool system, as this could adversely affect the performance and safe operation of the whirlpool. Kohler Co. shall not be liable under its warranty or otherwise for personal injury or damage caused by any such unauthorized modification.

Product Information (cont.)

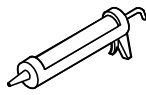
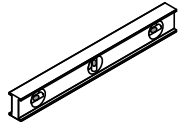
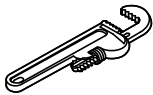
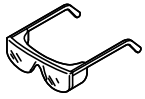
Features

Factory-installed components include a pump with power supply cord and an air switch transmitter.

"H" models are also supplied with a factory-assembled heater.

The whirlpool pump and piping are factory-assembled.

Tools and Materials



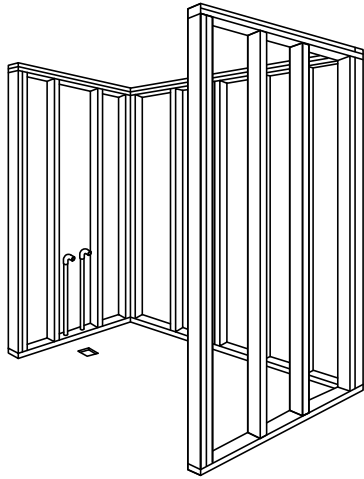
100% Silicone Sealant

Plus:

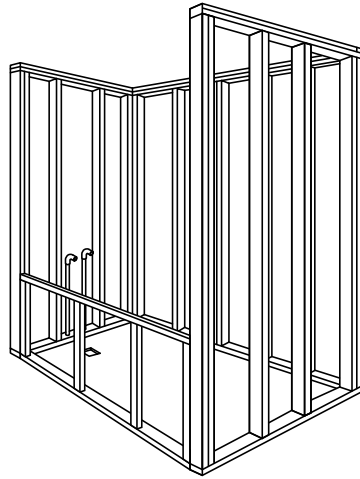
- Conventional Woodworking Tools and Materials
- Drop Cloth
- Construction Adhesive (Optional)
- Cement* or Mortar (Optional)
- 2x4s
- Plastic Film (Optional)
- 1/8" (3 mm) Spacers

* *Do not use gypsum cement.*

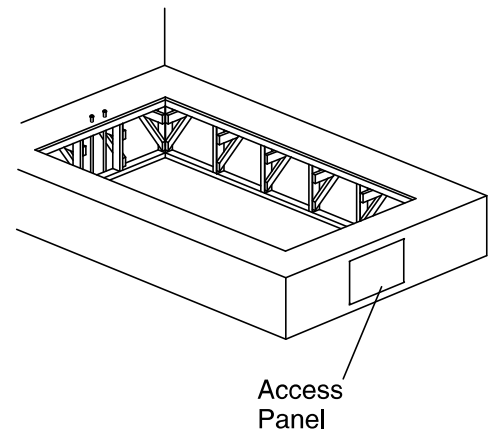
**Alcove
(Bath with Apron)**



**Alcove
(Bath without Apron)**



Drop-In



1. Prepare the Site

NOTICE: Measure your actual product for site preparation. Note the **model number** located on the whirlpool pump, then visit the product page at kohler.com for additional information.

NOTICE: Provide **generous, unrestricted access to the pump**. Provide access for servicing the pump. The access must be located immediately next to the pump.

NOTICE: Do not lift the whirlpool by the piping or pump, or use the piping or pump for structural support of the whirlpool. To avoid damage to the whirlpool, lift at the sides of the whirlpool.

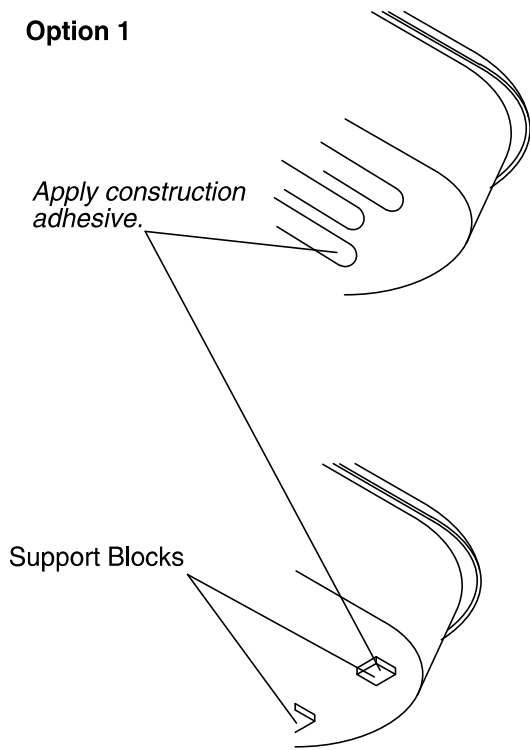
NOTICE: Do not support the load weight of the whirlpool by the rim. Plan to shim under the bath as needed when leveling the bath.

NOTICE: Bath may require shimming when installing an apron.

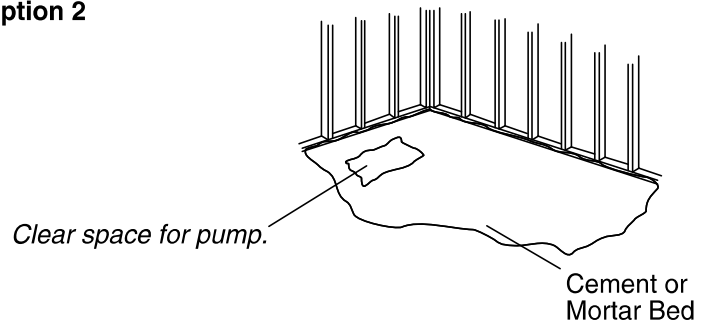
NOTE: Drop-in, alcove, or corner installation is possible, depending on the product chosen.

- Carefully unpack and inspect the new whirlpool for damage before installation. If there is damage, do not install the whirlpool; contact your dealer.
- Make sure that the flooring offers adequate support for your whirlpool, and verify that the subfloor is flat and level.
- Construct 2x4 stud framing according to the product dimensions found on the product page at kohler.com.
- Install an access panel for future pump servicing. The access panel must be at least 30" (762 mm) wide by 15" (381 mm) high.
- Install the rough plumbing.
- Install the drain to the whirlpool according to the drain manufacturer's instructions.
- Protect the whirlpool surface by positioning a clean drop cloth in the basin bottom.

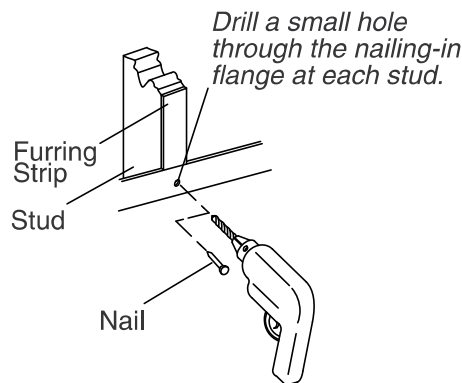
Option 1



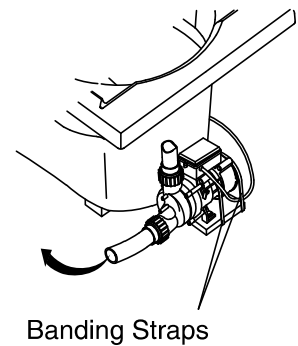
Option 2



Three Wall Alcove or Corner Installations



Cut the Pump Banding Straps



2. Install the Whirlpool

IMPORTANT! Use maximum 1/8" (3 mm) thick spacers under the bath rim to ensure that the rim does not contact the deck.

NOTICE: Do not lift the whirlpool by the piping or pump, or use the piping or pump for structural support of the whirlpool. To avoid damage to the whirlpool, lift at the sides of the whirlpool.

- If the subfloor is not level, shim the whirlpool support blocks or molded supports as necessary.

Option 1: Install Using Construction Adhesive

NOTE: Some models come with support blocks; some models have molded supports.

- Apply a generous amount of high-quality construction adhesive to the bottom of the support blocks or molded supports.
- With help, carefully lift the whirlpool into position.
- Fit maximum 1/8" (3 mm) spacers under the bath rim so the rim does not contact the deck.
- Apply weight to the bath basin until the adhesive sets.

Option 2: Install Using a Cement or Mortar Bed

NOTE: Do not use gypsum cement or drywall compound for this application, as they will not provide an acceptable, durable bond.

NOTE: Lay plastic film on wooden subfloors if desired to prevent water absorption.

- Set the basin area in 1" (25 mm) to 2" (51 mm) of mortar cement.

Install the Whirlpool (cont.)

NOTE: The pump support (when the pump banding straps are cut) must rest directly on the subfloor. The pump control should not be in contact with mortar.

- With help, carefully lift the whirlpool into position.
- Fit maximum 1/8" (3 mm) spacers under the bath rim so the rim does not contact the deck.
- Apply weight to the bath basin until the mortar sets.

Secure the Nailing-In Flanges (Alcove Units)

- Drill a small pilot hole through the nailing-in flange at each stud. Add shims as needed.
- Use large-head galvanized nails to secure the nailing-in flange to the studs.
- Nail 1/4" (6 mm) thick furring strips to the studs.

Cut the Pump Banding Straps

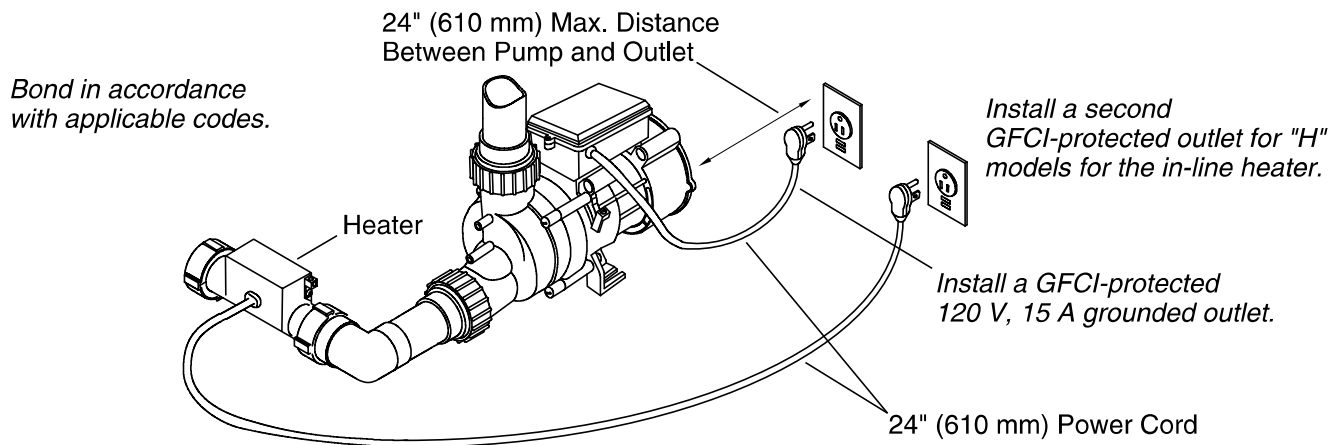
IMPORTANT! Perform this step to make the whirlpool operate more quietly.

- Cut the two pump banding straps from the whirlpool pump.

NOTE: Do not raise the pump higher than it was before you cut the straps. If the pump is raised too high, it will not prime properly. Make sure that the rubber isolation feet are in place.

Install the Plumbing

- Insert the drain tailpiece into the trapway. Secure the drain tailpiece to the trapway.
- Install the faucet valve.
- Check the drain connections for leakage.
- If required, install the grab bars according to the instructions.



3. Make the Electrical Connections – USA



WARNING: Risk of electric shock. Make sure that the power has been disconnected before performing the following procedures.



WARNING: Risk of electric shock. Connect the pump and heater (if included) to properly grounded, grounding-type receptacles protected by Ground-Fault Circuit-Interrupters (GFCI's) or Residual Current Devices (RCD's). Do not remove the grounding pins from the plugs. Do not use grounding adapters.

NOTE: A label identifying the model number and electrical rating of the whirlpool is located near the whirlpool pump.

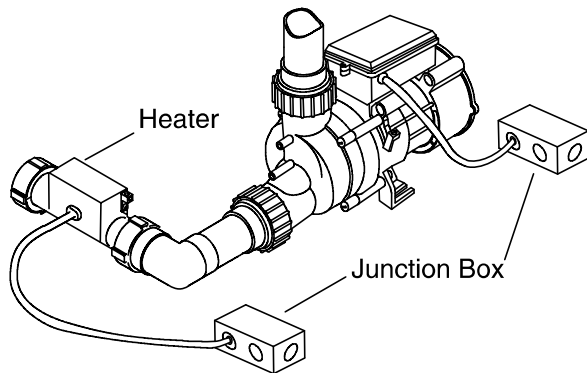
NOTICE: The pump and heater (if included) are each equipped with a cord and plug. All wiring for the heater has been completed at the factory. A qualified electrician must install a GFCI- or RCD-protected, 120 V, 15 A, grounded outlet for the pump, and another for the heater. No other load should be on these circuits.

- Install a dedicated electrical outlet behind the whirlpool, and within 24" (610 mm) of the pump power cord.
- Plug the pump plug into this outlet.

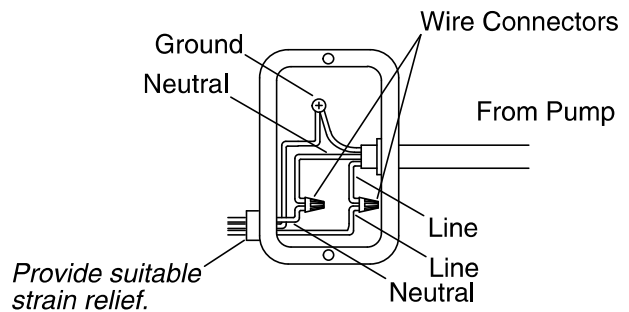
NOTE: Make sure that the air actuator tubing is securely attached to the pump, and is not kinked or damaged.

- For units with heaters, install a second outlet behind the whirlpool and within reach of the 24" (610 mm) heater power cord.
- Plug the heater plug into this outlet.

Bond in accordance with applicable codes.



Wire the junction box as shown.



NOTE: Pump model illustrated may differ from your actual product.

4. Make the Electrical Connections – Canada



WARNING: Risk of electric shock. Make sure that the power has been disconnected before performing the following procedures.

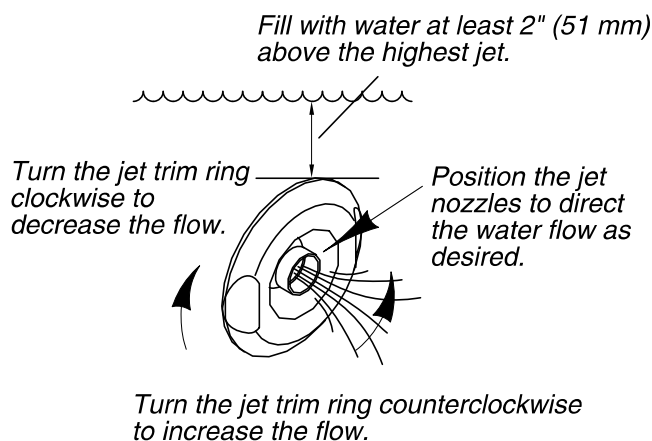


WARNING: Risk of electric shock. Connect the pump and heater (if included) to a properly grounded, grounding-type Ground-Fault Circuit-Interrupter (GFCI) or Residual Current Device (RCD). This will provide additional protection against line-to-ground shock hazard. Do not remove the grounding pins from the plugs. Do not use grounding adapters.

NOTE: A label identifying the model number and electrical rating of the whirlpool is located near the whirlpool pump.

NOTICE: If the unit does not include a heater, the pump is equipped with a cord and plug.

- Locate and secure each supplied junction box (if included) a minimum of 1-1/2" (38 mm) above the subfloor.
- The whirlpool controls and system have been prewired at the factory. A qualified electrician should make a routine service connection to the junction box (if included).
- Connect service to the junction box (if included). The 60 Hz model junction box contains line (black) and neutral (white) wires and a ground lug.
- A 120 V, 15 A dedicated circuit is required for the pump. A separate dedicated circuit is required for the heater (if included). No other load should be on these circuits. Provide a Class A GFCI or RCD.
- Provide a separate equipment grounding conductor for the inside ground or ground lug. The conductor **must not** be connected to any current-carrying conductor.
- Bond in accordance with national and local codes.



5. Complete the Installation

Test Run the Whirlpool

- Fill the whirlpool to a level at least 2" (51 mm) above the top of the highest jet.
- Operate the whirlpool for 5 minutes and check all whirlpool piping connections for leaks. Check for leakage along the front, sides, and back of the whirlpool.
- For additional information on whirlpool operation, see the "Operating Instructions - Whirlpool" section.

Finish the Installation

IMPORTANT! Kohler Co. strongly recommends the use of 100% silicone sealant as instructed. Other sealants with high filler contents should be avoided, as they may shrink, separate, and peel over time.

- Install water-resistant wallboard and all finished wall, deck, and floor materials.
- Apply a minimum 1/8" (3 mm) bead of 100% silicone sealant to seal all areas where the whirlpool and finished wall or deck meet.
- Install the faucet trim.

Clean-up After Installation

- When cleaning up after installation, **do not use abrasive cleansers**, as they may scratch and dull the whirlpool surface. Use warm water and a liquid detergent to clean the surface of the whirlpool.
- Remove stubborn stains or paint with turpentine or paint thinner. **Do not allow cleaners containing petroleum distillates to remain in contact with any whirlpool surface for long periods of time.** Remove plaster by carefully scraping with a wood edge. Do not use metal scrapers, wire brushes, or other metal tools. Use a powder-type detergent on a damp cloth to provide mild abrasive action to any residual plaster.

Important Safety Instructions

READ AND FOLLOW ALL INSTRUCTIONS

SAVE THESE INSTRUCTIONS

INSTRUCTIONS PERTAINING TO A RISK OF FIRE, ELECTRIC SHOCK, OR INJURY TO PERSONS

Important Safety Instructions (cont.)



WARNING: When using electrical products, basic precautions should always be followed, including the following:



DANGER: Risk of accidental injury or drowning. To reduce the risk of injury, do not permit children to use this unit unless they are closely supervised at all times.



DANGER: Risk of accidental injury or drowning. This appliance is not intended for use by persons with reduced physical, sensory, or mental capabilities, or lack of experience and knowledge. Children should be supervised to ensure that they do not play with this appliance.



WARNING: Risk of personal injury. To avoid injury, exercise care when entering or exiting the whirlpool.



WARNING: Risk of electric shock. Do not permit electric appliances (such as a hair dryer, lamp, telephone, radio, or television) within 5' (1.5 m) of this whirlpool.



WARNING: The use of alcohol, drugs, or medication can greatly increase the risk of fatal hyperthermia. Prolonged immersion in hot water may induce hyperthermia. Hyperthermia occurs when the internal temperature of the body reaches a level several degrees above the normal body temperature of 98.6°F (37°C). The symptoms of hyperthermia include an increase in the internal temperature of the body, dizziness, lethargy, drowsiness, and fainting. The effects of hyperthermia include: (a) failure to perceive heat, (b) failure to recognize the need to exit the whirlpool, (c) unawareness of impending hazard, (d) fetal damage in pregnant women, (e) physical inability to exit the whirlpool, and (f) unconsciousness resulting in the danger of drowning.



WARNING: Risk of hyperthermia. People using medications and/or having an adverse medical history should consult a physician before using a whirlpool equipped with a heater.



WARNING: Risk of fetal injury. Pregnant or possibly pregnant women should consult a physician before using the whirlpool.



WARNING: Risk of hyperthermia or drowning. Do not use the whirlpool immediately following strenuous exercise.



WARNING: Risk of hyperthermia or drowning. Water temperature in excess of 100°F (38°C) may cause injury. Test and adjust the water temperature before use.



WARNING: Risk of personal injury or drowning. Do not operate this unit without the guard (cover) over the suction fitting.



WARNING: Risk of personal injury. Never drop or insert any object into any opening.



WARNING: Risk of personal injury. Parts containing live parts, except parts supplied with safety extra-low voltage not exceeding 12 V, must be inaccessible to a person in the whirlpool.

Use this whirlpool only for its intended purpose as described in this guide. Do not use attachments not recommended by Kohler Co.

The whirlpool must be connected only to a supply circuit that is protected by a Ground-Fault Circuit-Interrupter (GFCI)*. Such a GFCI should be provided by the installer and should be tested on a routine basis. To test the GFCI, press the test button. The GFCI should interrupt power. Press the reset button. Power should be restored. If the GFCI fails to operate in this manner, the GFCI is defective. If the GFCI interrupts power to the whirlpool without the test button being pressed, a ground current is flowing, indicating the possibility of an electric shock. Do not use this whirlpool. Disconnect the whirlpool and have the problem corrected by a qualified service representative before using.

Flush your whirlpool system twice a month or more depending upon usage, as described in the "Flush the System" section of this guide.

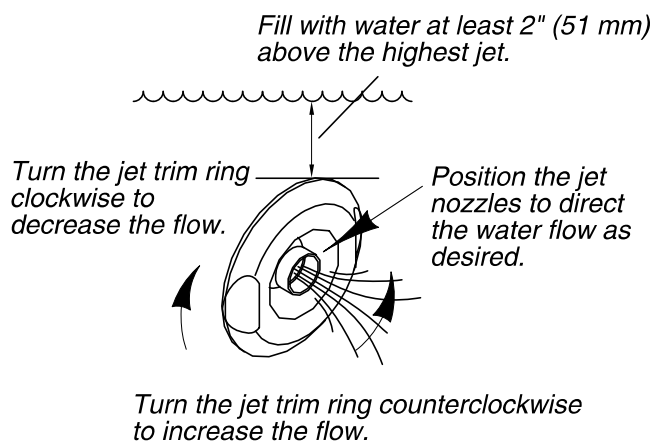
Important Safety Instructions (cont.)

Repeated use of personal care products containing oils can damage plastic whirlpool components. Avoid using bath oils.

Whirlpool hydromassage action can cause even a small amount of bubble bath, bath soap, shampoo, or bath oil to foam excessively. For this reason, please do not use these products during whirlpool operation.

Your new KOHLER whirlpool has been listed by Underwriter's Laboratories, ensuring safety for you and your family. This whirlpool also conforms to rigid ANSI and IAPMO standards set within the plumbing industry.

*Outside North America, this device may be known as a Residual Current Device (RCD).



Operating Instructions

NOTE: The water temperature in the whirlpool should never exceed 104°F (40°C).

- Close the drain, then fill the whirlpool at least 2" (51 mm) above the top of the highest jet.
- Use your hand to test the water temperature for comfort and safety, then carefully enter the whirlpool.
- Press the air switch to turn on the pump.

NOTE: If equipped, the heater will automatically turn on.

- Adjust the jets for optimum air/water mixture. Turn the jet trim rings clockwise to reduce the flow or counterclockwise to increase the flow. Position the jet nozzles to direct the water flow as desired.
- Press the air switch a second time to turn off the pump.
- Carefully exit the whirlpool, then open the drain and empty the water.

NOTE: If the whirlpool does not function properly, refer to the "Troubleshooting Procedures" section.

Care and Cleaning

For best results, keep the following in mind when caring for your KOHLER product:

- Always test your cleaning solution on an inconspicuous area before applying to the entire surface.
- Wipe surfaces clean and rinse completely with water immediately after applying cleaner. Rinse and dry any overspray that lands on nearby surfaces.
- Do not allow cleaners to soak on surfaces.
- Use a soft, dampened sponge or cloth. Never use an abrasive material such as a brush or scouring pad to clean surfaces.

For detailed cleaning information and products to consider, visit www.kohler.com/clean. To order Care & Cleaning information, call 1-800-456-4537.

Flush the System

NOTE: Flush your whirlpool system twice a month or more, depending upon usage.

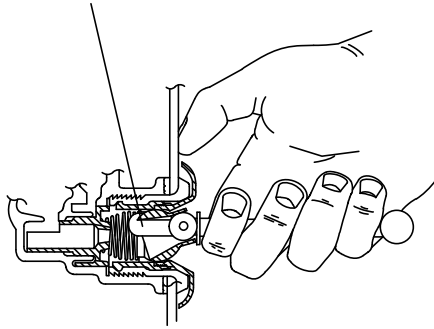
- Turn the jet trim rings fully clockwise to reduce air induction.
- Fill the whirlpool with hot water to a level at least 2" (51 mm) above the highest jet.
- Add 2 teaspoons (10 ml) of a low-foaming, powder automatic dishwasher detergent, and 20 ounces (590 ml) of household bleach (5% - 6% sodium hypochlorite) to the water.

Flush the System (cont.)

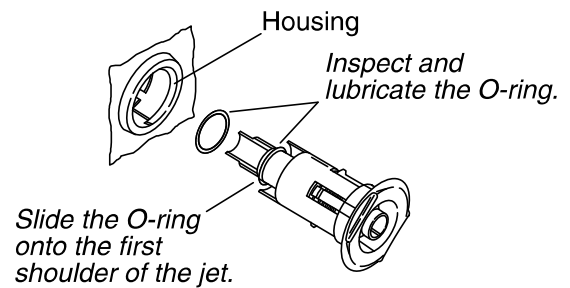
- Run the whirlpool for 5 to 10 minutes. Turn off the whirlpool and drain.
- If desired, rinse the bath surfaces with water.
- Rinse the surfaces of the jets, faucet, grab bars, and drain, and wipe them dry with a soft cloth.

Remove the Jets

Insert the tool hook as shown and pull the jet out of the housing. The jet should be facing up when this is done.



Reinstall the Jets



Insert the jet into the housing, and lightly push and rotate until it snaps in position.

Troubleshooting

NOTICE: This section is for general aid only. A Kohler Co. Authorized Service Representative or qualified electrician should correct any electrical problems. For warranty service, call 1-800-4KOHLER from within the USA and Canada, or 001-800-456-4537 from within Mexico.

For service parts information, visit your product page at kohler.com.

Remove the Jets

NOTE: A special tool is provided with the replacement jets that will allow you to remove the jets from the whirlpool. This tool is also supplied with each trim kit.

- Position the jet ball nozzle so it is pointing upward.
- Insert the removal tool, hooked end up, into the opening of the jet and hook the inside top of the nozzle.
- Grasp the tool firmly and place your thumb against the whirlpool wall. Pull steadily on the tool until the jet assembly pulls free of the hole. Be careful not to lose the O-ring.

Reinstall the Jets

NOTE: To allow easy rotation and proper operation of the jet, the O-ring must be: (1) correctly positioned, (2) lubricated, and (3) in good condition.

- Install the O-ring onto the **first shoulder** of the jet.
- Using the silicone lube packet (provided), lubricate the O-ring to prevent noisy operation of the jet.
- Carefully insert the jet into the housing, then lightly push and rotate the jet until it snaps into position. **Do not force the jet.**
- Verify that the jet is installed correctly. The jet should turn smoothly both clockwise and counterclockwise. Remove and reinstall, if necessary.

Troubleshooting (cont.)

Symptoms	Probable Causes	Recommended Action
1. Whirlpool does not start or stop.	<p>A. No power to motor.</p> <p>B. Air hose is loose or disconnected.</p> <p>C. Air hose is pinched or kinked.</p> <p>D. Push button assembly is damaged.</p> <p>E. Push button has grease in the bleed area.</p> <p>F. Air hose is damaged.</p> <p>G. Motor/pump does not work.</p>	<p>A. Check that the pump and heater are plugged in and that the GFCI or RCD is switched to the correct position. Plug in or reset the GFCI/RCD as needed.</p> <p>B. Check that the hose is connected at both the receiver/pump end and to the air switch. Reconnect if needed.</p> <p>C. Adjust hose to clear the pinched/kinked area. If the tubing is pinched/kinked and cannot be readjusted, or no noticeable pinch/kink is apparent, poke a small hole in the tubing with a tack and try the system again.</p> <p>D. Replace the push button assembly.</p> <p>E. Disassemble the push button assembly and wipe away any excess grease. Reassemble the button and retry the system.</p> <p>F. Replace the air hose.</p> <p>G. Replace the motor/pump.</p>
2. Motor starts, not all jets are functioning.	<p>A. Jet is closed.</p> <p>B. Jet not installed correctly.</p> <p>C. Jets are blocked.</p>	<p>A. Rotate jet trim ring counterclockwise to open.</p> <p>B. Reinstall jet; check for O-ring damage.</p> <p>C. Remove blockage.</p>
3. Pump does not prime.	<p>A. Pump shimmed too high.</p>	<p>A. Lower pump support bracket.</p>
4. Noisy operation.	<p>A. Pump banding straps have not been cut. (Models with support blocks only.)</p> <p>B. Jet O-ring dislodged.</p>	<p>A. Cut pump banding straps with tin snips.</p> <p>B. Remove jet, replace and lubricate O-ring, and reinstall jet.</p>
5. Heater does not operate. ("H" models only)	<p>A. No power to heater.</p> <p>B. Water temperature exceeds 104°F (40°C).</p> <p>C. Heater does not work.</p>	<p>A. Reset the GFCI or RCD.</p> <p>B. Allow water to cool and heater will re-engage.</p> <p>C. Replace heater.</p>

Instructions d'installation

Baignoire à hydromassage

Instructions d'installation



WARNING: Lors de l'utilisation de produits électriques, toujours observer les précautions de base, notamment:



DANGER: Risque de choc électrique. Raccorder uniquement à un circuit protégé par un disjoncteur de fuite de terre (GFCI)*.

Les matériaux de construction et le câblage doivent être acheminés loin du corps de la pompe et des autres composants de l'ensemble qui dégagent de la chaleur.

Installer de façon à permettre un accès pour l'entretien.

Un connecteur à pression pour câbles marqué "Earth/Ground" (Terre/Masse) est fourni dans le compartiment de câblage. Afin de réduire les risques de choc électrique, raccorder ce connecteur à une borne de terre du panneau de service électrique ou du panneau d'alimentation avec un câble en cuivre ayant la même dimension que le conducteur du circuit qui alimente cet équipement.

Des connecteurs à pression par câble sont fournis sur l'extérieur de la boîte de jonction ou de la commande incluse dans cet appareil afin de permettre la connexion d'un conducteur de mise à la terre entre cet appareil et toutes les autres surfaces de métal avoisinantes, tel que requis par les normes locales.

Une mise à la terre est requise. L'ensemble doit être installé par un représentant qualifié et doit être mis à la terre.



WARNING: Risque de blessures ou d'endommagement du matériel. Toutes les instructions doivent être lues avec la plus grande attention avant de commencer l'installation, et toutes les conditions suivantes doivent être respectées.



WARNING: Risque de choc électrique. Un électricien qualifié doit effectuer toutes les connexions électriques.



WARNING: Risque de choc électrique. Déconnecter l'alimentation électrique avant d'effectuer un entretien.

NOTICE: Respecter tous les codes de plomberie et électriques locaux. Installer cet ensemble conformément au Code canadien de l'électricité, Partie 1.

* Hors de l'Amérique du Nord, ce dispositif peut être connu sous le nom de dispositif à courant résiduel (RCD).

Information sur le produit

Installations électriques requises

Cette installation doit être munie d'un disjoncteur de fuite de terre (GFCI) de classe A*. Le disjoncteur GFCI protège contre les risques d'électrocution fil sous tension-terre. **Utiliser une alimentation de 120 V, 15 A, 60 Hz dédiée à la baignoire à hydromassage.**

Les modèles "H" exigent une alimentation séparée de 120 V, 15 A, 60 Hz dédiée au chauffe-eau.

Si le câble d'alimentation de la pompe est endommagé, il doit être remplacé par le fabricant, son représentant ou des professionnels qualifiés dans ce domaine afin d'éviter tout danger. Le cordon d'alimentation du chauffe-eau ne peut pas être remplacé. Le chauffe-eau doit être remplacé si le cordon d'alimentation du chauffe-eau est endommagé.

* Hors de l'Amérique du Nord, ce dispositif peut être connu sous le nom de dispositif à courant résiduel (RCD).

Information sur le produit (cont.)

Notices du produit



WARNING: Des modifications non approuvées pourraient provoquer un fonctionnement dangereux et une mauvaise performance de la baignoire à hydromassage. Ne pas déplacer la pompe de la baignoire à hydromassage et ne pas effectuer d'autres modifications sur le système d'hydromassage car cela pourrait affecter la performance et la sécurité de la baignoire à hydromassage. Kohler Co. décline toute responsabilité sous sa garantie et pour toutes blessures ou tous dommages causés par de telles modifications non autorisées.

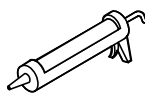
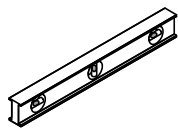
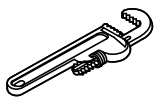
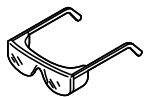
Fonctions

Les composants installés en usine comprennent une pompe avec câble d'alimentation électrique et un émetteur de commutateur de débit d'air.

Les modèles "H" sont également fournis avec un chauffe-eau assemblé en usine.

La pompe et la tuyauterie de la baignoire à hydromassage ont été assemblées en usine.

Outils et matériel



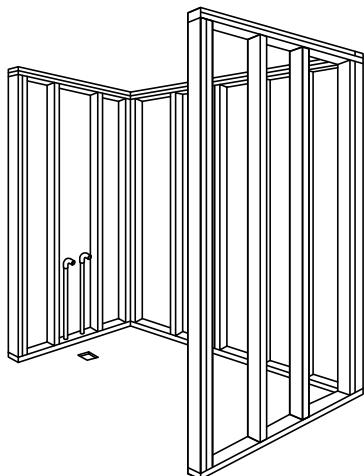
Plus:

- Matériaux et outils à bois classiques
- Toile de protection
- Colle mastic (optionnelle)
- Ciment* ou mortier (optionnel)
- Des 2x4
- Film en plastique (optionnel)
- Espaceurs 1/8" (3 mm)

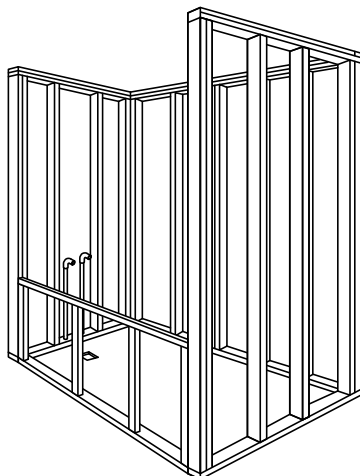
* *Ne pas utiliser de plâtre dur.*

Mastic à la silicone à 100%

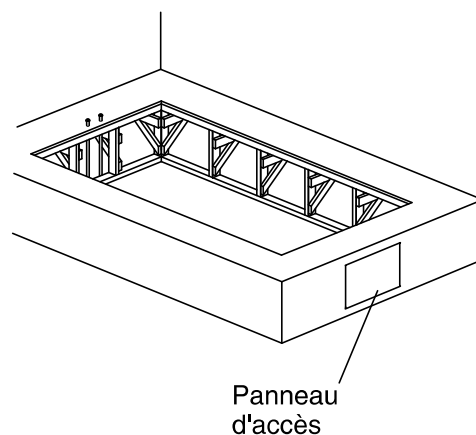
**Alcôve
(baignoire avec tablier)**



**Alcôve
(baignoire sans tablier)**



À encastrer par le dessus



Panneau
d'accès

1. Préparer le site

NOTICE: Mesurer le produit en question pour la préparation du site. Noter le **numéro de modèle** se trouvant sur la pompe de la baignoire à hydromassage, puis visiter la page du produit sur le site kohler.com pour obtenir de l'information supplémentaire.

NOTICE: Fournir un large espace non restreint pour pouvoir accéder à la pompe. Fournir un accès pour l'entretien de la pompe. L'accès doit être situé juste à côté de la pompe.

NOTICE: Ne pas soulever la baignoire à hydromassage par la tuyauterie ou la pompe et ne pas utiliser la tuyauterie ou la pompe comme support structurel de la baignoire à hydromassage. Afin d'éviter tout endommagement de la baignoire à hydromassage, soulever celle-ci par les côtés.

NOTICE: Ne pas supporter le poids de charge de la baignoire à hydromassage par le rebord. Prévoir de placer des cales sous la baignoire au besoin lors du nivellement de la baignoire.

NOTICE: Des cales pourraient être nécessaires pour la baignoire lors de l'installation d'un tablier.

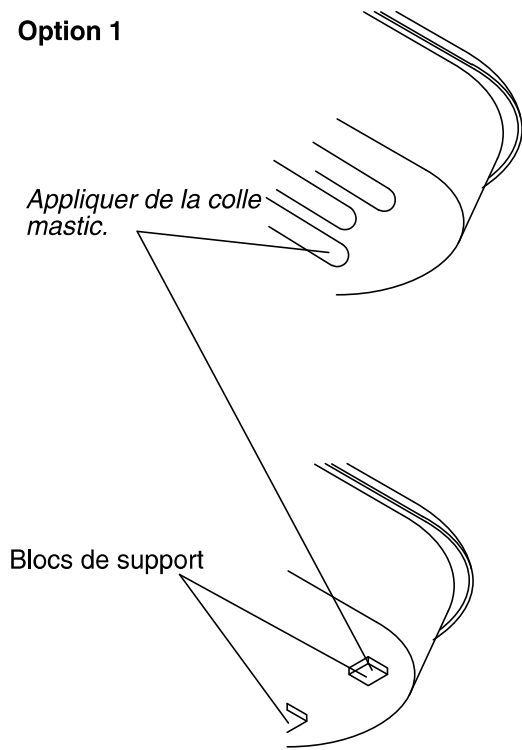
NOTE: Une installation à encastrer par le dessus, en alcôve ou en coin est possible, selon le produit choisi.

- Déballer et examiner soigneusement la nouvelle baignoire à hydromassage pour y déceler tout dommage avant d'effectuer l'installation. Si des dommages sont notés, ne pas installer la baignoire à hydromassage; s'adresser au concessionnaire.
- S'assurer que le plancher offre un support adéquat pour la baignoire à hydromassage et vérifier que le sous-plancher est plat et de niveau.
- Construire un pan à colombages en fonction des dimensions du produit fournies sur la page du produit à kohler.com.
- Installer un panneau d'accès pour permettre un entretien futur de la pompe. Le panneau d'accès doit avoir une largeur de 30" (762 mm) et une hauteur de 15" (381 mm) au moins.
- Installer la tuyauterie de raccordement.
- Installer le drain sur la baignoire à hydromassage conformément aux instructions du fabricant du drain.

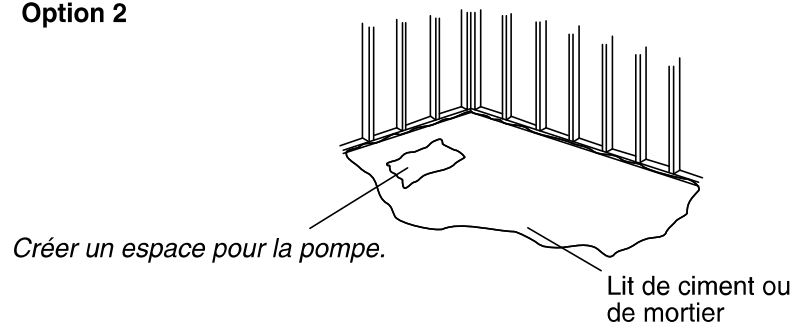
Préparer le site (cont.)

- Protéger la surface de la baignoire à hydromassage en plaçant une toile de protection propre dans le bas du bassin.

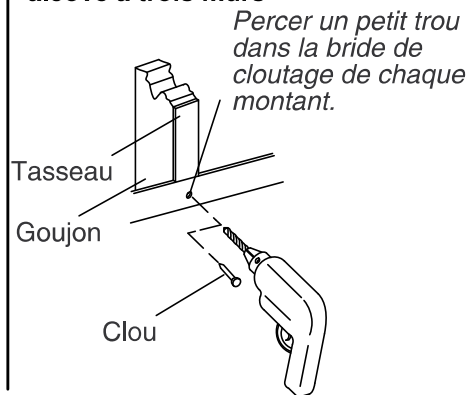
Option 1



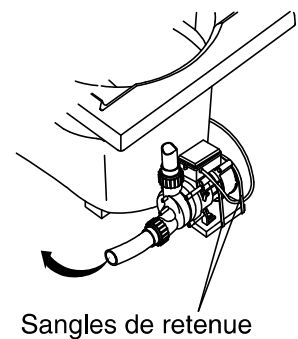
Option 2



Installations en coin ou en alcôve à trois murs



Couper les sangles de retenue de la pompe



2. Installer la baignoire à hydromassage

IMPORTANT! Utiliser des espaceurs d'une épaisseur de 1/8" (3 mm) au maximum sous le rebord de la baignoire pour assurer que le rebord n'entre pas en contact avec le tablier.

NOTICE: Ne pas soulever la baignoire à hydromassage par la tuyauterie ou la pompe et ne pas utiliser la tuyauterie ou la pompe comme support structurel de la baignoire à hydromassage. Afin d'éviter tout endommagement de la baignoire à hydromassage, soulever celle-ci par les côtés.

- Si le sous-plancher n'est pas de niveau, placer des blocs de renfort ou des supports moulés sous la baignoire à hydromassage, si nécessaire.

Option 1: Effectuer l'installation en utilisant de la colle mastic

NOTE: Certains modèles sont dotés de blocs de support; d'autres modèles ont des supports moulés.

- Appliquer une quantité suffisante de colle mastic de haute qualité sur la base des blocs de support ou des supports moulés.
- Avec de l'aide, lever la baignoire à hydromassage avec précaution pour la mettre en place.
- Adapter des espaceurs de 1/8" (3 mm) maximum sous le rebord de la baignoire de manière à ce que le rebord n'entre pas en contact avec le tablier.
- Appliquer du poids sur la cuve de la baignoire jusqu'à ce que la colle mastic durcisse.

Option 2: Installer en utilisant un lit de ciment ou de mortier

NOTE: Ne pas utiliser de plâtre dur ou un mélange pour cloison sèche pour cette installation, car ces produits ne fournissent pas de scellement acceptable et durable.

Installer la baignoire à hydromassage (cont.)

NOTE: Poser un film en plastique sur les sous-planchers en bois au besoin afin de prévenir une absorption d'eau.

- Placer la zone du bassin dans du ciment à maçonner de 1" (25 mm) à 2" (51 mm).

NOTE: Le support de pompe (une fois les sangles de retenue de la pompe coupées) doivent reposer directement sur le sous-plancher. La commande de la pompe ne doit pas entrer en contact avec le mortier.

- Avec de l'aide, lever la baignoire à hydromassage avec précaution pour la mettre en place.
- Adapter des espaceurs de 1/8" (3 mm) maximum sous le rebord de la baignoire de manière à ce que le rebord n'entre pas en contact avec le tablier.
- Appliquer du poids sur la cuve de la baignoire jusqu'à ce que le mortier durcisse.

Fixer les brides de cloutage en place (dispositifs en alcôve)

- Percer un petit trou-pilote à travers la bride de cloutage de chaque montant. Utiliser des cales selon les besoins.
- Utiliser des clous galvanisés à grande tête pour fixer la bride de cloutage sur les montants.
- Clouer des tasseaux de 1/4" (6 mm) d'épaisseur sur les montants.

Couper les sangles de retenue de la pompe

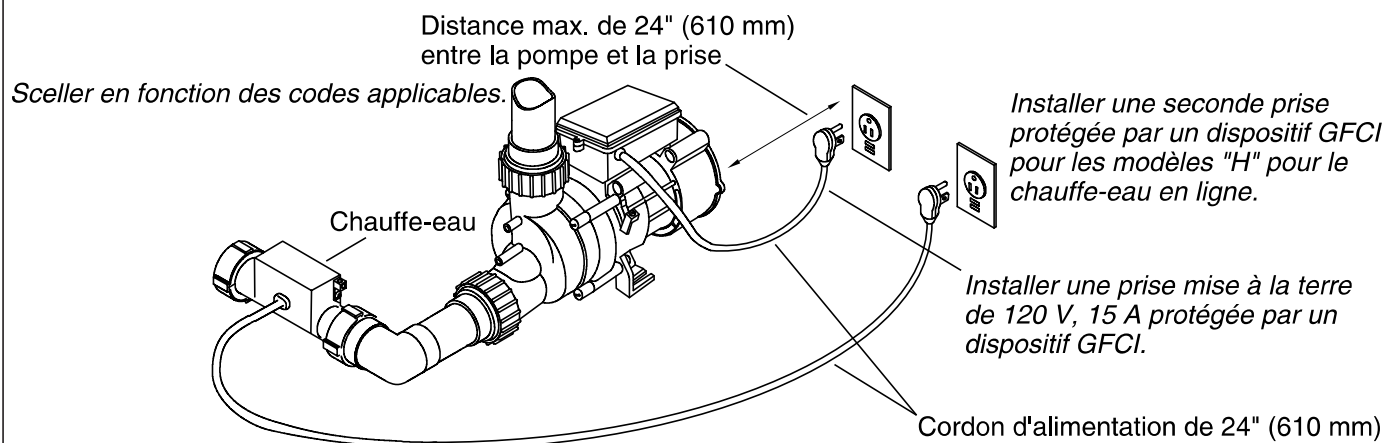
IMPORTANT! Exécuter cette étape pour que la baignoire à hydromassage fonctionne plus tranquillement.

- Couper les deux sangles de retenue de la pompe situées sur la pompe à hydromassage.

NOTE: Ne pas soulever la pompe à un niveau supérieur à celui où elle se trouvait avant d'avoir coupé les sangles. Si la pompe est trop élevée, elle ne s'amorcera pas correctement. S'assurer que les pieds isolants en caoutchouc sont en place.

Installer la plomberie

- Insérer l'about du drain dans le siphon. Sécuriser l'about du drain au siphon.
- Installer la vanne de robinet.
- Rechercher des fuites dans les connexions du drain.
- Si applicable, installer les barres d'appui selon les instructions.



3. Effectuer les connexions électriques – États-Unis



WARNING: Risque de choc électrique. S'assurer que l'alimentation a été débranchée avant d'effectuer les procédures suivantes.



WARNING: Risque de choc électrique. Connecter la pompe et le chauffe-eau (si inclus) à des prises avec mise à la terre correctement mises à la terre et protégées par des disjoncteurs de fuite de terre (GFCI) ou des dispositifs à courant résiduel (RCD). Ne pas retirer les broches de mise à la terre des fiches. Ne pas utiliser d'adaptateurs de mise à la terre.

NOTE: Une étiquette qui identifie le numéro de modèle et les caractéristiques électriques de la baignoire à hydromassage est située à proximité de la pompe de la baignoire à hydromassage.

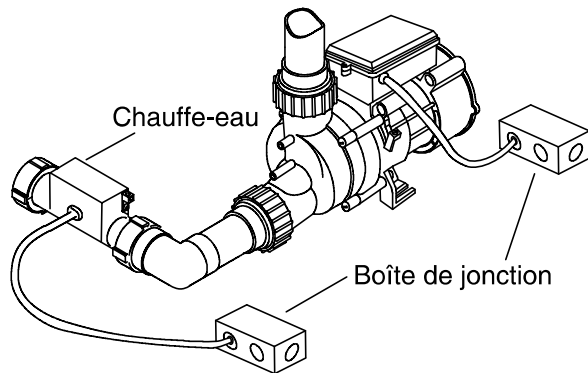
NOTICE: La pompe et le chauffe-eau (si inclus) sont tous les deux munis d'un cordon et d'une fiche. Tous les câblages du chauffe-eau ont été effectués en usine. Un électricien qualifié doit installer une prise de 120 V, 15 A mise à la terre et protégée par un disjoncteur de fuite de terre (GFCI) ou un dispositif à courant résiduel (RCD) pour la pompe, et une autre pour le chauffe-eau. Aucune autre charge ne doit se trouver sur ces circuits.

- Installer une prise électrique dédiée à l'arrière de la baignoire à hydromassage et dans un rayon de 24" (610 mm) du cordon d'alimentation de la pompe.
- Brancher la fiche de la pompe sur cette prise.

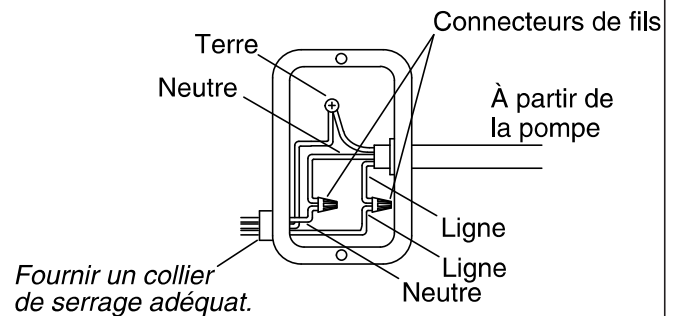
NOTE: S'assurer d'attacher fermement la tubulure de l'actionneur pneumatique à la pompe, et vérifier qu'elle n'est ni pincée ni endommagée.

- Pour les appareils avec chauffe-eau, installer une deuxième prise électrique à l'arrière de la baignoire à hydromassage et à proximité du cordon d'alimentation du chauffe-eau de 24" (610 mm).
- Brancher la fiche du chauffe-eau sur cette prise.

Sceller en fonction des codes applicables.



Effectuer les connexions de la boîte de jonction tel qu'illustré.



REMARQUE: Le modèle de pompe illustré peut être différent du produit réel.

4. Effectuer les connexions électriques – Canada



WARNING: Risque de choc électrique. S'assurer que l'alimentation a été débranchée avant d'effectuer les procédures suivantes.

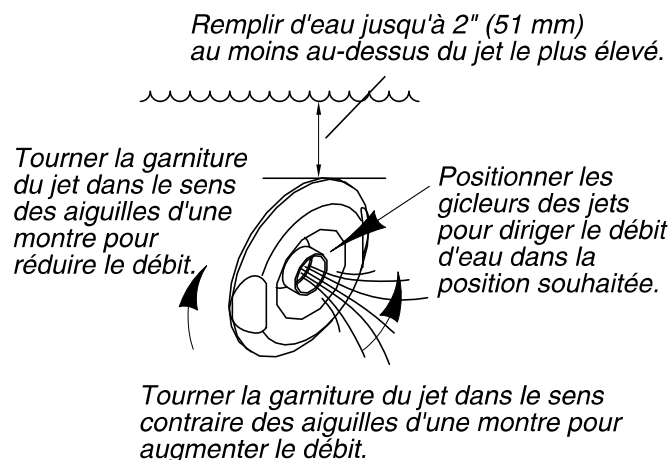


WARNING: Risque de choc électrique. Connecter la pompe et le chauffe-eau (si inclus) à un disjoncteur de fuite de terre (GFCI) ou à un dispositif à courant résiduel (RCD) mis à la terre de manière appropriée. Ceci fournira une mesure de protection supplémentaire contre le risque d'électrocution par tension phase-terre. Ne pas retirer les broches de mise à la terre des fiches. Ne pas utiliser d'adaptateurs de mise à la terre.

NOTE: Une étiquette qui identifie le numéro de modèle et les caractéristiques électriques de la baignoire à hydromassage est située à proximité de la pompe de la baignoire à hydromassage.

NOTICE: Si l'unité n'inclut pas de dispositif de chauffage, la pompe est munie d'un cordon et d'une prise.

- Positionner et sécuriser chaque boîte de jonction fournie (si incluse) à un minimum de 1-1/2" (38 mm) au-dessus du sous-plancher.
- Les commandes de la baignoire à hydromassage et le système ont été pré-câblés en usine. Un électricien qualifié doit faire le branchement d'entretien de routine à la boîte de jonction (si incluse).
- Connecter le branchement d'entretien sur la boîte de jonction (si incluse). La boîte de jonction du modèle 60 Hz comprend des fils de ligne (noir) et neutre (blanc) et une cosse de mise à la terre.
- Un circuit dédié de 120 V, 15 A est requis pour la pompe. Un circuit dédié séparé est requis pour le dispositif de chauffage (si inclus). Aucune autre charge ne doit se trouver sur ces circuits. Fournir un disjoncteur de fuite de terre (GFCI) ou un dispositif à courant résiduel (RCD) de classe A.
- Prévoir un conducteur de terre séparé pour la terre intérieure ou la cosse de mise à la terre. Le conducteur **ne peut pas** être raccordé à un autre conducteur d'alimentation électrique.
- Raccorder conformément aux codes nationaux et locaux.



5. Terminer l'installation

Effectuer un essai de fonctionnement de la baignoire à hydromassage

- Remplir la baignoire à hydromassage à un niveau se trouvant à au moins 2" (51 mm) au-dessus du haut du jet le plus élevé.
- Faire fonctionner la baignoire à hydromassage pendant 5 minutes et s'assurer qu'aucun des raccords des tuyaux de la baignoire à hydromassage ne présente de fuites. Rechercher des fuites le long de l'avant et des côtés de la baignoire à hydromassage, et à l'arrière de celle-ci.
- Pour obtenir de l'information supplémentaire sur le fonctionnement de l'hydromassage, se reporter à la section "Instructions d'utilisation - Hydromassage".

Finir l'installation

IMPORTANT! Kohler Co. recommande vivement d'utiliser du mastic d'étanchéité à la silicone à 100%, conformément aux instructions. D'autres mastics d'étanchéité contenant une quantité de matériau de remplissage plus élevée doivent être évités, car ils pourraient se rétrécir, se séparer, et peler au cours du temps.

- Installer le panneau mural hydrorésistant, ainsi que tous les matériaux du mur fini, du tablier, et du plancher.
- Appliquer un boudin de 1/8" (3 mm) minimum de mastic d'étanchéité à la silicone à 100% pour sceller toutes les zones où la baignoire à hydromassage et le mur fini ou le tablier entrent en contact.
- Installer la garniture de robinet.

Nettoyer après l'installation

- Lors du nettoyage après l'installation, **ne pas utiliser de nettoyeurs abrasifs**, vu que ceux-ci risqueraient de rayer et d'abîmer la surface de la baignoire à hydromassage. Utiliser de l'eau chaude et un détergent liquide pour nettoyer la surface de la baignoire à hydromassage.
- Enlever les taches résistantes ou la peinture avec de l'essence de térébenthine ou un diluant pour peinture. **Ne pas laisser de nettoyeurs à base de distillats de pétrole rester en contact avec les surfaces de la baignoire à hydromassage pendant une longue période.** Retirer les résidus de plâtre en raclant avec précaution avec un bord en bois. Ne pas utiliser de grattoirs en métal, de brosses métalliques ou d'autres outils en métal. Utiliser un détergent en poudre sur un chiffon humide pour fournir une action abrasive légère sur les résidus de plâtre.

Instructions Importantes sur la sécurité

LIRE ET SUIVRE TOUTES LES INSTRUCTIONS

CONSERVEZ CES INSTRUCTIONS

INSTRUCTIONS RELATIVES AUX RISQUES D'INCENDIE, D'ÉLECTROCUTION OU DE BLESSURES CORPORELLES



WARNING: Lors de l'utilisation de produits électriques, toujours observer les précautions de base, notamment:



DANGER: Risque de blessures ou de noyade accidentelles Afin de réduire les risques de blessures, ne jamais permettre à un enfant d'utiliser cet appareil sans surveillance étroite, en tout temps.



DANGER: Risque de blessures ou de noyade accidentelles Cet appareil n'est pas destiné à être utilisé par des personnes dont les capacités physiques, sensorielles ou mentales sont réduites, ou qui ont un manque d'expérience ou de connaissances. Les enfants doivent être supervisés pour assurer qu'ils ne jouent pas avec cet appareil.



WARNING: Risque de blessures. Pour éviter les blessures corporelles, entrer et sortir avec précaution de la baignoire à hydromassage.



WARNING: Risque de choc électrique. Ne pas amener les appareils électriques (tels que des sèche-cheveux, des lampes, des téléphones, des radios ou des télévisions) dans un rayon de 5' (1,5 m) de cette baignoire à hydromassage.



WARNING: La consommation d'alcool, de drogues ou de médicaments peut augmenter considérablement le risque fatal d'hyperthermie. Une immersion prolongée dans l'eau chaude peut provoquer une hyperthermie. Une hyperthermie a lieu lorsque la température corporelle interne atteint un niveau dépassant de plusieurs degrés la température corporelle normale de 98,6°F (37°C). Les symptômes d'hyperthermie comprennent une hausse de la température corporelle interne, les étourdissements, une léthargie, une somnolence et les évanouissements. Les effets de l'hyperthermie comprennent: (a) défaut de percevoir la chaleur, (b) défaut de s'apercevoir du besoin de sortir de la baignoire à hydromassage, (c) incapacité de reconnaître le danger, (d) dommages au fœtus dans le cas des femmes enceintes, (e) incapacité physique de sortir de la baignoire à hydromassage et (f) inconscience et danger conséquent de noyade.



WARNING: Risque d'hyperthermie. Les personnes sous médicaments et/ou qui sont en observation médicale doivent consulter leur médecin avant d'utiliser des baignoires à hydromassage équipées d'un chauffe-eau.



WARNING: Risque de préjudice corporel au fœtus. Les femmes enceintes ou qui pourraient être enceintes doivent consulter un médecin avant d'utiliser la baignoire à hydromassage.



WARNING: Risque d'hyperthermie ou de noyade. Ne pas utiliser la baignoire à hydromassage immédiatement après des exercices physiques rigoureux.



WARNING: Risque d'hyperthermie ou de noyade. Une température d'eau supérieure à 100°F (38°C) peut causer des traumatismes. Vérifier et régler la température de l'eau avant utilisation.



WARNING: Risque de blessures ou de noyade. Ne pas faire fonctionner cet appareil si le dispositif de protection (couvercle) n'est pas placé par-dessus le raccord d'aspiration.



WARNING: Risque de blessures. Ne jamais faire tomber ou insérer un objet quelconque dans les ouvertures.

Instructions Importantes sur la sécurité (cont.)



WARNING: Risque de blessures. La personne dans la baignoire à hydromassage ne doit pas pouvoir accéder aux pièces qui contiennent des parties sous tension, sauf les pièces fournies avec une tension de sécurité extra basse et ne dépassant pas 12 V.

Utiliser cette baignoire à hydromassage uniquement pour un usage tel que décrit dans ce guide. Ne pas utiliser de dispositifs d'attache non recommandés par Kohler Co.

La baignoire à hydromassage doit être raccordée uniquement à un circuit d'alimentation qui est protégé par un disjoncteur de fuite de terre (GFCI)*. L'installateur doit fournir un disjoncteur de fuite de terre de ce type et celui-ci doit être inspecté régulièrement. Pour inspecter le disjoncteur de fuite de terre, appuyer sur le bouton d'essai. Le disjoncteur de fuite de terre doit couper le courant. Appuyer sur le bouton de réinitialisation. L'alimentation devrait avoir été restaurée. Si le disjoncteur de fuite de terre ne fonctionne pas de cette manière, le disjoncteur est défectueux. Si le disjoncteur de fuite de terre interrompt l'alimentation de courant vers la baignoire à hydromassage sans que l'on ait appuyé sur le bouton d'essai, ceci indique qu'un courant à la terre est en train de circuler, et, par conséquent, il y a possibilité de choc électrique. Ne pas utiliser cette baignoire à hydromassage. Débrancher la baignoire à hydromassage et la faire réviser par un technicien qualifié avant de l'utiliser.

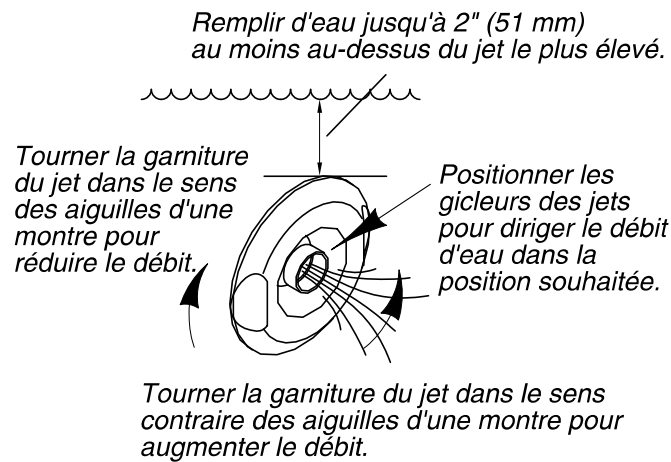
Purger le système de la baignoire à hydromassage deux fois par mois ou plus souvent selon la fréquence d'usage, tel que décrit dans la section "Purger le système" de ce guide.

L'utilisation répétée de produits d'hygiène et de beauté contenant des huiles peut endommager les composants en plastique de la baignoire à hydromassage. Éviter d'utiliser des huiles de bain.

L'action à hydromassage de la baignoire peut faire mousser excessivement les produits moussants, les savons, les shampoings ou l'huile pour le bain, même s'il s'agit d'une petite quantité. Pour cette raison, veiller à ne pas utiliser ces produits pendant le fonctionnement de la baignoire à hydromassage.

Votre nouvelle baignoire à hydromassage KOHLER a été homologuée par l'Underwriter's Laboratories, assurant ainsi votre sécurité et celle de votre famille. Cette baignoire à hydromassage est aussi conforme aux normes sévères de l'ANSI et de l'IAPMO établies pour l'industrie de la plomberie.

* Hors de l'Amérique du Nord, ce dispositif peut être connu sous le nom de dispositif à courant résiduel (RCD).



Instructions d'utilisation

NOTE: La température de l'eau de la baignoire à hydromassage ne doit pas dépasser 104°F (40°C).

- Fermer le drain, puis remplir la baignoire à hydromassage à au moins 2" (51 mm) au-dessus du jet le plus élevé.
- Utiliser la main pour tester la température de l'eau pour le confort et la sécurité, puis entrer doucement dans la baignoire à hydromassage.
- Appuyer sur le commutateur de débit d'air pour mettre la pompe en marche.

NOTE: S'il est présent, le chauffe-eau se met automatiquement en marche.

- Ajuster les jets pour un mélange optimal de l'eau et de l'air. Tourner les bagues de garniture des jets dans le sens des aiguilles d'une montre pour réduire le débit, ou dans le sens contraire des aiguilles d'une montre pour augmenter le débit. Orienter les gicleurs des jets pour diriger le débit d'eau dans la position souhaitée.
- Appuyer sur le commutateur de débit d'air une deuxième fois pour arrêter la pompe.
- Sortir avec précaution de la baignoire à hydromassage, puis ouvrir le drain pour la vider de son eau.

NOTE: Si la baignoire ne fonctionne pas correctement, se référer à la section "Procédures de dépannage".

Entretien et nettoyage

Pour obtenir les meilleurs résultats possibles, prendre ce qui suit en considération lors de l'entretien de votre produit KOHLER:

- Toujours tester la solution de nettoyage sur une surface non visible avant de l'appliquer sur l'ensemble de la surface.
- Essuyer les surfaces et rincer complètement avec de l'eau immédiatement après l'application du nettoyant. Rincer et sécher tout éclaboussement sur les surfaces avoisinantes.
- Ne pas laisser les nettoyeurs tremper sur les surfaces.
- Utiliser une éponge ou un chiffon doux et humide. Ne jamais utiliser de matériau abrasif tel qu'une brosse ou une éponge à récurer pour nettoyer les surfaces.

Pour obtenir des renseignements détaillés sur le nettoyage et les produits à considérer, consulter le site www.kohler.com/clean. Pour commander des renseignements sur le nettoyage, appeler le 1-800-456-4537.

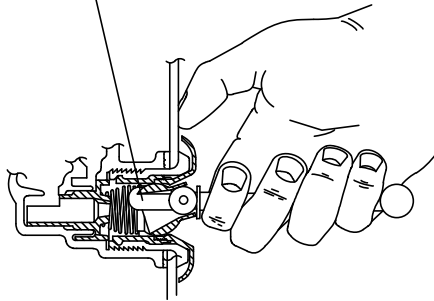
Purger le système

NOTE: Purger le système d'hydromassage deux fois par mois ou plus, selon la fréquence d'utilisation.

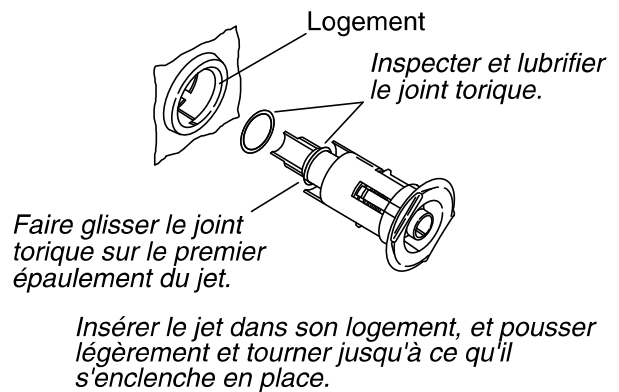
- Tourner les bagues de garniture des jets complètement dans le sens des aiguilles d'une montre pour réduire l'induction d'air.
- Remplir la baignoire à hydromassage d'eau chaude à au moins 2" (51 mm) au-dessus du jet le plus élevé.
- Ajouter à l'eau 2 petites cuillères (10 ml) d'un détergent en poudre pour lave-vaisselle automatique peu moussant et 20 onces (590 ml) d'eau de javel domestique (5% à 6% d'hypochlorite de sodium).
- Faire fonctionner la baignoire à hydromassage pendant 5 à 10 minutes. Arrêter la baignoire à hydromassage et purger.
- Si souhaité, rincer les surfaces de la baignoire avec de l'eau.
- Rincer les surfaces des jets, le robinet, les barres d'appui et le drain, et les sécher avec un chiffon doux.

Retirer les jets

Insérer le crochet de l'outil comme sur l'illustration et tirer sur le jet pour le faire sortir de son logement. Le jet doit être tourné vers le haut lorsque ceci est effectué.



Réinstaller les jets



Dépannage

NOTICE: Cette section est seulement destinée à une aide générale. Un représentant du service agréé Kohler Co. ou un électricien qualifié doit rectifier tous les problèmes électriques. Pour un service de garantie, appeler le 1-800-4KOHLER à partir des É.-U. et du Canada, ou le 001-800-456-4537 à partir du Mexique.

Pour tout renseignement sur les pièces de rechange, visiter la page du produit sur le site kohler.com.

Retirer les jets

NOTE: Un outil spécial est fourni avec les jets de remplacement pour permettre de retirer les anciens jets de la baignoire à hydromassage. Cet outil est aussi fourni avec chaque kit de garniture.

- Positionner le gicleur à sphère du jet de façon à ce qu'il pointe vers le haut.
- Insérer l'outil d'extraction, avec son côté crochet vers le haut dans l'ouverture du jet et accrocher la partie supérieure intérieure du gicleur.
- Tenir l'outil fermement et placer le pouce contre le mur de la baignoire à hydromassage. Tirer de manière uniforme sur l'outil jusqu'à ce que l'ensemble du jet sorte du trou. Faire attention à ne pas perdre le joint torique.

Réinstaller les jets

NOTE: Pour permettre une rotation aisée et un bon fonctionnement des jets, le joint torique doit être: (1) placé correctement, (2) lubrifié, et (3) en bon état.

- Poser le joint torique sur le **premier épaulement** du jet.
- Lubrifier le joint torique avec le paquet de lubrifiant à la silicone (fourni), afin d'éviter un fonctionnement bruyant du jet.
- Insérer délicatement le jet dans le logement, puis pousser légèrement sur le jet et tourner celui-ci jusqu'à ce qu'il s'enclenche en place. **Ne pas forcer le jet.**
- Vérifier que le jet est installé correctement. Le jet devrait pouvoir tourner sans difficulté dans le sens des aiguilles d'une montre, et dans le sens contraire. Retirer et réinstaller si nécessaire.

Dépannage (cont.)		
Symptômes	Causes probables	Action recommandée
1. L'hydromassage ne démarre pas ou ne s'arrête pas.	<p>A. Moteur non alimenté.</p> <p>B. Le tuyau d'air est desserré ou déconnecté.</p> <p>C. Le tuyau d'air est pincé ou déformé.</p> <p>D. L'ensemble du bouton-poussoir est endommagé.</p> <p>E. De la graisse est présente dans la zone de purge du bouton-poussoir.</p> <p>F. Le tuyau d'air est endommagé.</p> <p>G. Le moteur/la pompe ne fonctionne pas.</p>	<p>A. Vérifier que la pompe et que le chauffe-eau sont branchés et que le disjoncteur de fuite de terre (GFCI) ou le dispositif à courant différentiel (RCD) sont dans la position correcte. Brancher ou réinitialiser le dispositif GFCI/RCD selon les besoins.</p> <p>B. Vérifier que le tuyau est connecté aux deux extrémités receveur/pompe et au commutateur de débit d'air. Reconnecter si nécessaire.</p> <p>C. Ajuster le tuyau pour dégager la zone pincée/déformée. Si la tubulure est pincée/déformée et si elle ne peut être réajustée, ou si aucun pincement/aucune déformation évidents ne sont apparents, percer un petit trou dans la tubulure avec une punaise et essayer de nouveau le système.</p> <p>D. Remplacer l'ensemble du bouton-poussoir.</p> <p>E. Désassembler l'ensemble du bouton-poussoir et essuyer tout excès de graisse. Réassembler le bouton et réessayer de faire fonctionner le système.</p> <p>F. Remplacer le tuyau d'air.</p> <p>G. Remplacer le moteur/la pompe.</p>
2. Le moteur démarre, certains jets ne fonctionnent pas.	<p>A. Jet fermé.</p> <p>B. Le jet n'est pas installé correctement.</p> <p>C. Jets obstrués.</p>	<p>A. Tourner la bague de garniture du jet dans le sens antihoraire pour ouvrir.</p> <p>B. Réinstaller le jet; vérifier l'état du joint torique.</p> <p>C. Éliminer l'obstruction.</p>
3. La pompe ne s'amorce pas.	<p>A. Pompe placée trop haut.</p>	<p>A. Abaisser la bride de support de la pompe.</p>
4. Fonctionnement bruyant.	<p>A. Les sangles de retenue de la pompe n'ont pas été coupées. (Modèles avec des blocs de support uniquement.)</p> <p>B. Le joint torique est délogé.</p>	<p>A. Couper les sangles de retenue de la pompe avec des cisailles de ferblantier.</p> <p>B. Retirer le jet, remplacer et lubrifier le joint torique et réinstaller le jet.</p>
5. Le chauffe-eau ne fonctionne pas. (Modèles "H" seulement)	<p>A. Chauffe-eau non alimenté.</p> <p>B. La température de l'eau dépasse 104°F (40°C).</p> <p>C. Le chauffe-eau ne fonctionne pas.</p>	<p>A. Réinitialiser le GFCI ou le RCD.</p> <p>B. Laisser l'eau se refroidir et le chauffe-eau redémarrera.</p> <p>C. Remplacer le chauffe-eau.</p>

Instrucciones de instalación

Bañera de hidromasaje

Instrucciones de instalación



WARNING: Al usar aparatos eléctricos siempre cumpla las precauciones básicas, como las siguientes:



DANGER: Riesgo de sacudidas eléctricas. Solamente conecte a un circuito protegido por un interruptor de circuito con pérdida a tierra (GFCI)*.

El material de construcción y el cableado se deben colocar lejos del cuerpo de la bomba y de otros componentes que producen calor.

Instale de manera que quede acceso para dar servicio.

El compartimento de cables incluye un conector a presión marcado "Earth/Ground" (tierra). Para reducir el riesgo de que se produzca una sacudida eléctrica, conecte este conector al terminal de tierra de su tablero eléctrico o al panel de suministro eléctrico con un cable de cobre del tamaño equivalente al conductor del circuito que alimenta este equipo.

Se incluyen conectores a presión en el exterior de la caja de empalmes o del control dentro de esta unidad para permitir la conexión de un conductor equipotencial entre esta unidad y todo el metal expuesto en la cercanía, lo que sea necesario para cumplir requisitos locales.

Se requiere conexión a tierra. Un representante autorizado de servicio debe instalar esta unidad y conectarla a tierra.



WARNING: Riesgo de lesiones personales o de daños a la propiedad. Antes de comenzar la instalación, lea atentamente todas las instrucciones además de los requisitos detallados a continuación.



WARNING: Riesgo de sacudidas eléctricas. Un electricista capacitado debe hacer todas las conexiones eléctricas.



WARNING: Riesgo de sacudidas eléctricas. Desconecte el suministro eléctrico antes de dar servicio.

NOTICE: Cumpla todos los códigos locales de electricidad y de plomería. En Canadá, instale la unidad conforme al Código Eléctrico Canadiense, Parte 1.

*Fuera de Estados Unidos es posible que este dispositivo se conozca como dispositivo de corriente residual (RCD, por sus siglas en inglés).

Información sobre el producto

Requisitos eléctricos

La instalación debe contar con un interruptor de circuito con pérdida a tierra (GFCI)* de Clase A. El interruptor GFCI protege contra el peligro de sacudida eléctrica de línea a tierra. **Utilice un circuito dedicado de 120 V, 15 A y 60 Hz para la bañera de hidromasaje.**

Los modelos "H" requieren un circuito dedicado de 120 V, 15 A y 60 Hz para el calentador.

Si el cable eléctrico de la bomba está dañado, debe ser reemplazado por el fabricante, un agente de servicio autorizado por el fabricante o personas igualmente capacitadas para así evitar un peligro. El cable eléctrico del calentador no se puede reemplazar. Si el cable eléctrico del calentador está dañado, el calentador se debe reemplazar.

*Fuera de Estados Unidos es posible que este dispositivo se conozca como dispositivo de corriente residual (RCD, por sus siglas en inglés).

Información sobre el producto (cont.)

Avisos sobre el producto



WARNING: Las modificaciones no autorizadas pueden causar que la bañera de hidromasaje funcione de manera peligrosa y que tenga bajo rendimiento. No cambie la ubicación de la bomba de la bañera de hidromasaje ni haga otras modificaciones en el sistema de hidromasaje, ya que esto podría tener un efecto adverso en el rendimiento y en el funcionamiento seguro de la bañera de hidromasaje. Kohler Co. no será responsable bajo su garantía, o de ninguna otra forma, de lesiones personales o daños provocados por modificaciones no autorizadas.

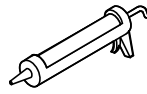
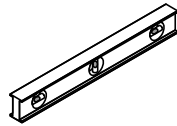
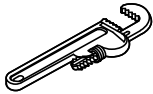
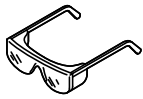
Características

Los componentes instalados en la fábrica incluyen una bomba con cable de suministro eléctrico y un transmisor de interruptor de aire.

Los modelos "H" también vienen equipados con un calentador ensamblado en fábrica.

La bomba y las tuberías de la bañera de hidromasaje están ensambladas en fábrica.

Herramientas y materiales



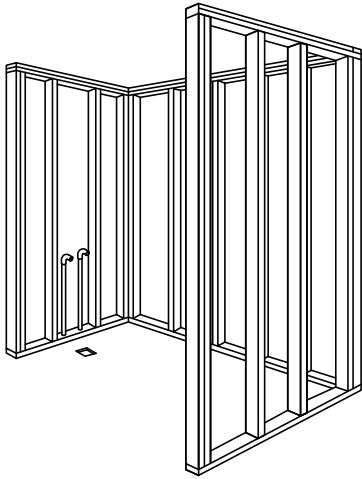
Más:

- Herramientas y materiales convencionales de carpintería
- Lona
- Adhesivo de construcción (opcional)
- Cemento* o mortero (opcional)
- Postes de madera de 2x4
- Película plástica (opcional)
- Espaciadores de 1/8" (3 mm)

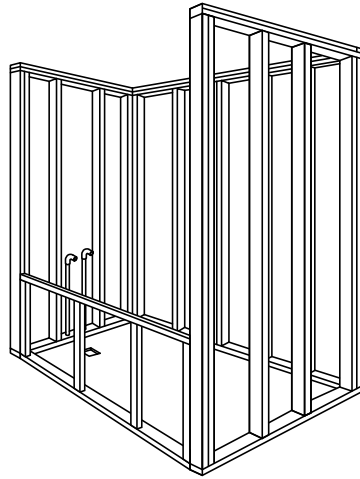
* No utilice cemento de yeso.

Sellador 100% de silicona

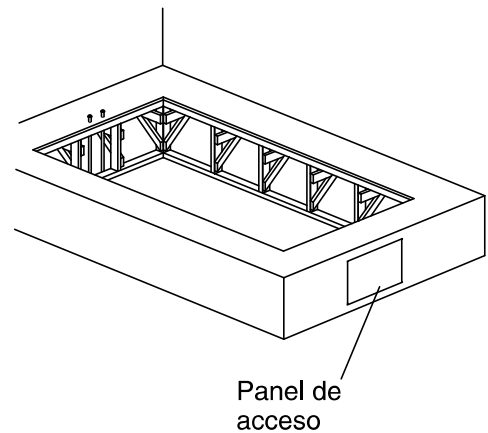
**Bañera para encajonar
(con faldón)**



Bañera para encajonar (sin faldón)



De sobreponer



1. Prepare el sitio

NOTICE: Mida su producto para preparar el lugar. Fíjese en el **número de modelo** ubicado en la bomba de la bañera de hidromasaje, y luego visite la página del producto en kohler.com para obtener información adicional.

NOTICE: Deje **amplio acceso sin restricciones a la bomba**. Deje acceso para dar servicio a la bomba. El acceso se debe dejar justo al lado de la bomba.

NOTICE: No levante la bañera de hidromasaje por los tubos o por la bomba, ni use los tubos ni la bomba como soporte estructural de la bañera de hidromasaje. Para evitar causar daños a la bañera de hidromasaje, levántela por los lados.

NOTICE: No apoye el peso de la bañera de hidromasaje sobre el reborde. Planee instalar cuñas bajo la bañera cuando sea necesario para nivelarla.

NOTICE: Puede ser necesario instalar cuñas en la bañera al instalar un faldón.

NOTE: De acuerdo al producto elegido es posible realizar una instalación de sobreponer, encajonada entre tres paredes o en esquina.

- Antes de la instalación, saque las piezas de la caja y revise que la bañera de hidromasaje nueva no presente daños. Si la bañera de hidromasaje presenta daños, no la instale; comuníquese con su distribuidor.
- Asegúrese de que el piso ofrezca suficiente soporte para su bañera de hidromasaje, y verifique que el subpiso esté plano y nivelado.
- Construya una estructura de postes de madera de 2x4 apropiada para las dimensiones del producto en la página del producto en kohler.com.
- Instale un panel de acceso para dar servicio futuro a la bomba. Este panel de acceso debe tener por lo menos 30" (762 mm) de ancho y 15" (381 mm) de alto.
- Instale el tendido de plomería.
- Instale el desagüe en la bañera de hidromasaje de acuerdo a las instrucciones del fabricante del desagüe.
- Proteja la superficie de la bañera de hidromasaje colocando una lona limpia en el fondo.

Opción 1

Aplique adhesivo de construcción.

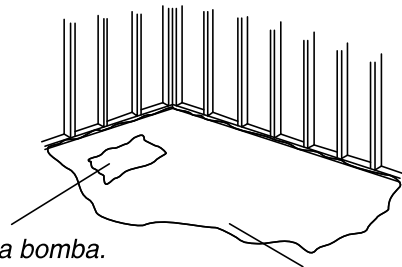
Bloques de soporte



Opción 2

Limpe el espacio para la bomba.

Capa de cemento o mortero



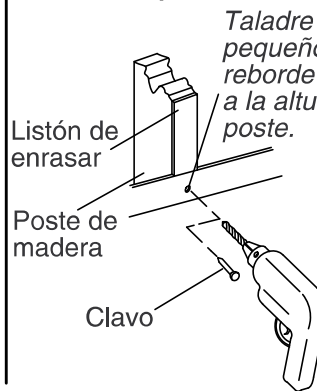
Instalaciones de encajonado entre tres paredes o en esquina

Taladre un orificio pequeño a través del reborde de clavado a la altura de cada poste.

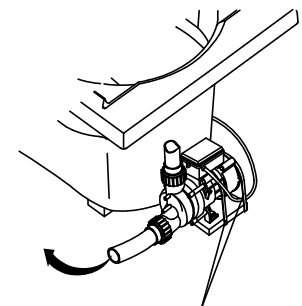
Listón de enrasar

Poste de madera

Clavo



Corte las cintas flejadoras que sujetan la bomba



Cintas flejadoras

2. Instale la bañera de hidromasaje

IMPORTANT! Use espaciadores con un máximo de 1/8" (3 mm) de espesor bajo el reborde de la bañera para asegurar que el reborde no haga contacto con la cubierta.

NOTICE: No levante la bañera de hidromasaje por los tubos o por la bomba, ni use los tubos ni la bomba como soporte estructural de la bañera de hidromasaje. Para evitar causar daños a la bañera de hidromasaje, levántela por los lados.

- Si el subpiso no está nivelado, acúñe los bloques de soporte o los soportes moldeados de la bañera de hidromasaje según sea necesario.

Opción 1: Instale con adhesivo de construcción

NOTE: Algunos modelos vienen con bloques de soporte; algunos modelos tienen soportes moldeados.

- Aplique una cantidad abundante de adhesivo de construcción de alta calidad en la parte inferior de los bloques de soporte o de los soportes moldeados.
- Con ayuda, coloque con cuidado la bañera de hidromasaje en su lugar.
- Use espaciadores de un máximo de 1/8" (3 mm) bajo el reborde de la bañera, de manera que el reborde no haga contacto con la cubierta.
- Ponga peso en el fondo de la bañera hasta que el adhesivo cure.

Opción 2: Instale con una capa de cemento o mortero

NOTE: No utilice cemento de yeso o pasta para paneles de yeso con esta aplicación, puesto que no se produce adherencia aceptable ni duradera.

Instale la bañera de hidromasaje (cont.)

NOTE: Si lo desea, puede colocar una película plástica sobre los subpisos de madera para evitar la absorción de humedad.

- Coloque el área del fondo en una capa de cemento mortero de 1" (25 mm) a 2" (51 mm).

NOTE: El soporte de la bomba (cuando se cortan las cintas flejadoras de la bomba) debe descansar directamente sobre el subpiso. El control de la bomba no debe entrar en contacto con el mortero.

- Con ayuda, coloque con cuidado la bañera de hidromasaje en su lugar.
- Use espaciadores de un máximo de 1/8" (3 mm) bajo el reborde de la bañera, de manera que el reborde no haga contacto con la cubierta.
- Ponga peso en el fondo de la bañera hasta que el cemento mortero cure.

Fije las pestañas para clavar (unidades para encajonado entre tres paredes)

- Taladre un pequeño orificio guía a través de la pestaña para clavar en cada poste de madera. Agregue cuñas según sea necesario.
- Utilice clavos galvanizados de cabeza grande para fijar la pestaña para clavar a los postes.
- Clave listones de enrasar de 1/4" (6 mm) a los postes.

Corte las cintas flejadoras que sujetan la bomba

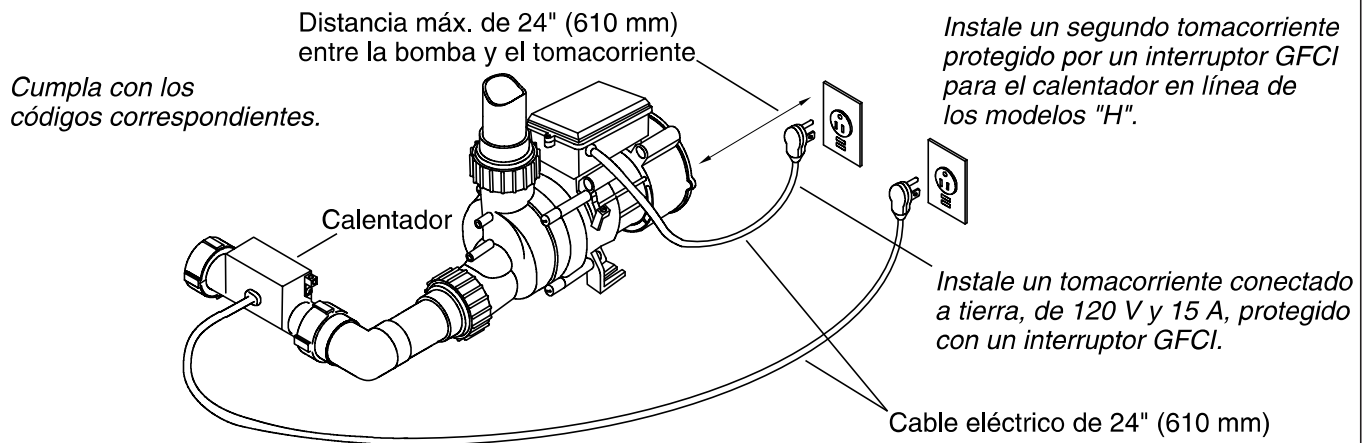
IMPORTANT! Realice este paso para que la bañera de hidromasaje funcione más silenciosamente.

- Corte las dos cintas flejadoras de la bomba en la bañera de hidromasaje.

NOTE: No suba la bomba más arriba de lo que estaba antes de cortar las cintas metálicas. Si la bomba está demasiado alta, no cebará correctamente. Asegúrese de que las patas aislantes de goma estén en su lugar.

Instale la plomería

- Introduzca el tubo final de desagüe en la boca de sifón. Fije el tubo final de desagüe a la boca de sifón.
- Instale la válvula de la grifería.
- Revise que no haya fugas en las conexiones de desagüe.
- Si se requiere, instale las agarraderas según las instrucciones.



3. Realice las conexiones eléctricas – EE.UU.



WARNING: Riesgo de sacudidas eléctricas. Asegúrese de se haya desconectado la corriente eléctrica antes de realizar los siguientes procedimientos.



WARNING: Riesgo de sacudidas eléctricas. Conecte la bomba y el calentador (si provisto) a un tomacorriente con conexión a tierra que tenga protección mediante un interruptor de circuito con pérdida a tierra (GFCI) o dispositivo de corriente residual (RCD). No retire las clavijas de conexión a tierra de los enchufes. No utilice adaptadores de conexión a tierra.

NOTE: Una etiqueta que identifica el número de modelo y la capacidad nominal eléctrica de la bañera de hidromasaje se encuentra cerca de la bomba de hidromasaje.

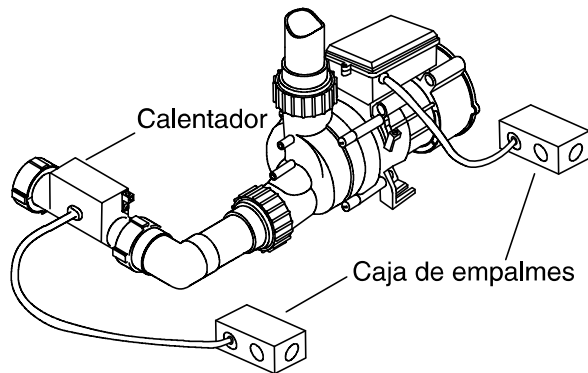
NOTICE: La bomba y el calentador (si provisto) están equipados con un cable y un enchufe. Todo el cableado del calentador se ha realizado en fábrica. Un electricista calificado debe instalar un tomacorriente conectado a tierra de 120 V, 15 A, protegido por un GFCI o RCD para la bomba y otro para el calentador. El circuito no debe tener ninguna otra carga.

- Instale un tomacorriente eléctrico dedicado detrás de la bañera de hidromasaje, y al alcance del cable de suministro eléctrico de la bomba de 24" (610 mm).
- Enchufe la bomba en este tomacorriente.

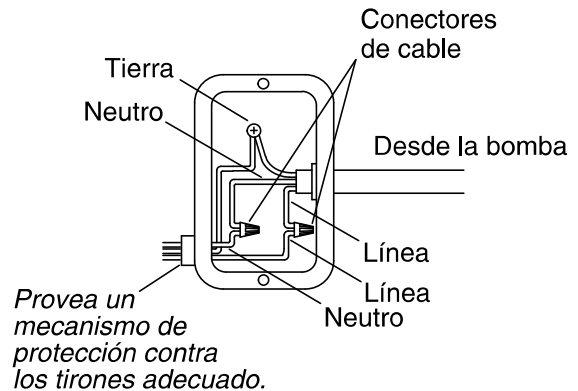
NOTE: Asegúrese de que el tubo del accionador de aire esté bien conectado a la bomba, y que no esté doblado ni dañado.

- Para unidades con calentadores, instale un segundo tomacorriente eléctrico detrás de la bañera de hidromasaje, y al alcance del cable eléctrico del calentador de 24" (610 mm).
- Enchufe el calentador en este tomacorriente.

Cumpla con los códigos correspondientes.



Cablee la caja de empalmes como se muestra.



NOTA: Es posible que el modelo de bomba ilustrado sea diferente al producto que haya adquirido.

4. Realice las conexiones eléctricas – Canadá



WARNING: Riesgo de sacudidas eléctricas. Asegúrese de se haya desconectado la corriente eléctrica antes de realizar los siguientes procedimientos.

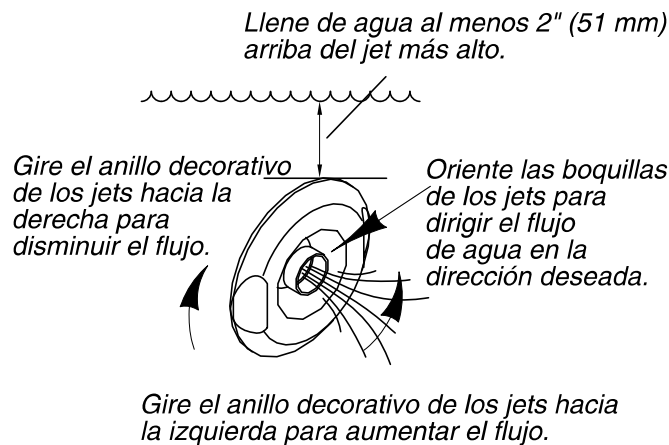


WARNING: Riesgo de sacudidas eléctricas. Conecte la bomba y el calentador (si provisto) a un interruptor, con conexión a tierra, de circuito con pérdida a tierra (GFCI) o dispositivo de corriente residual (RCD). Esto sirve de protección adicional contra el peligro de sacudida eléctrica de línea a tierra. No retire las clavijas de conexión a tierra de los enchufes. No utilice adaptadores de conexión a tierra.

NOTE: Una etiqueta que identifica el número de modelo y la capacidad nominal eléctrica de la bañera de hidromasaje se encuentra cerca de la bomba de hidromasaje.

NOTICE: Si la unidad no incluye un calentador, la bomba está equipada con un cable y un enchufe.

- Ubique y fije cada caja de empalmes provista (si se incluyen) a un mínimo de 1-1/2" (38 mm) arriba del subpiso.
- El cableado de los controles y del sistema de la bañera de hidromasaje se ha realizado en la fábrica. Un electricista calificado debe realizar las conexiones eléctricas a la caja de empalmes (si se incluye).
- Conecte el servicio eléctrico a la caja de empalmes (si se incluye). La caja de empalmes de 60 Hz tiene cables de corriente de línea (negro) y neutro (blanco), y una lengüeta de conexión a tierra.
- Se requiere un circuito dedicado de 120 V, 15 A para la bomba. Se requiere un circuito dedicado independiente para el calentador (si se incluye). El circuito no debe tener ninguna otra carga. Provea un GFCI Clase A o RCD.
- Provea un conductor de conexión a tierra del equipo por separado para la lengüeta de conexión a tierra o tierra interior. El conductor **no debe** estar conectado a ningún otro conductor portador de corriente.
- Haga conexiones equipotenciales de acuerdo a los códigos nacionales y locales.



5. Termine de hacer la instalación

Pruebe el funcionamiento de la bañera de hidromasaje

- Llene la bañera de hidromasaje a un nivel de por lo menos 2" (51 mm) arriba del jet más alto.
- Deje funcionar la bañera de hidromasaje durante 5 minutos y revise que no haya fugas en las conexiones de todas las tuberías de la bañera de hidromasaje. Verifique que no haya fugas a lo largo del frente, los lados y la parte posterior de la bañera de hidromasaje.
- Para obtener información adicional sobre el funcionamiento de la bañera de hidromasaje, consulte la sección "Instrucciones de funcionamiento - Bañera de hidromasaje".

Termine de hacer la instalación

IMPORTANT! Kohler Co. recomienda enfáticamente el uso de sellador 100 % de silicona, como se indica. Debe evitarse el uso de otros selladores con alto contenido de relleno, ya que pueden encogerse, separarse o despegarse al paso del tiempo

- Instale panel de yeso impermeable y todos los materiales de acabado de la pared, la cubierta y el piso.
- Aplique un hilo continuo de un mínimo de 1/8" (3 mm) de sellador 100 % de silicona para sellar todos los lugares donde hace contacto la bañera de hidromasaje con la pared acabada o con la cubierta.
- Instale la guarnición de la grifería.

Limpieza después de la instalación

- Al limpiar después de la instalación, **no utilice productos de limpieza abrasivos** pues pueden rayar y opacar la superficie de la bañera de hidromasaje. Utilice agua tibia y detergente líquido para limpiar la superficie de la bañera de hidromasaje.
- Limpie las manchas difíciles de quitar o la pintura, con aguarrás o con diluyente de pintura. **No permita que los productos de limpieza que contengan destilados de petróleo permanezcan en contacto con la superficie de la bañera de hidromasaje durante periodos prolongados.** Para retirar el yeso, raspe con cuidado con un canto de madera. No utilice raspadores de metal, cepillos de alambre ni otras herramientas metálicas. Se puede utilizar detergente en polvo con un trapo húmedo para ejercer una acción abrasiva suave en los residuos de yeso.

Instrucciones importantes de seguridad

LEA Y SIGA TODAS LAS INSTRUCCIONES

Instrucciones importantes de seguridad (cont.)

GUARDE ESTAS INSTRUCCIONES

INSTRUCCIONES RELATIVAS A LOS RIESGOS DE INCENDIO, SACUDIDA ELÉCTRICA O LESIONES PERSONALES



WARNING: Al usar aparatos eléctricos siempre cumpla las precauciones básicas, como las siguientes:



DANGER: Riesgo de lesiones personales o ahogamiento. Para reducir el riesgo de lesiones, no permita que los niños usen este producto sin supervisión estricta en todo momento.



DANGER: Riesgo de lesiones personales o ahogamiento. Este aparato no está diseñado para ser usado por personas con habilidades físicas, sensoriales o mentales disminuidas, o con falta de experiencia y conocimientos. Los niños deben ser supervisados para asegurar que no jueguen con este aparato.



WARNING: Riesgo de lesiones personales. Para evitar lesiones, tenga cuidado al entrar y al salir de la bañera de hidromasaje.



WARNING: Riesgo de sacudidas eléctricas. No coloque aparatos eléctricos (como secador de pelo, lámparas, teléfono, radio o televisión) a menos de 5' (1,5 m) de esta bañera de hidromasaje.



WARNING: El uso de alcohol, drogas o medicamentos puede aumentar enormemente el riesgo de sufrir hipertermia fatal. La inmersión prolongada en agua caliente puede producir hipertermia. Ocurre hipertermia cuando la temperatura interna del cuerpo alcanza un nivel varios grados más arriba de la temperatura corporal normal de 98,6°F (37°C). Los síntomas de hipertermia incluyen aumento de temperatura corporal interna, mareos, letargo, somnolencia y desfallecimiento. Los efectos de hipertermia incluyen: (a) incapacidad para percibir calor, (b) incapacidad para reconocer la necesidad de salir de la bañera de hidromasaje, (c) inconsciencia de un peligro inminente, (d) daño al feto en mujeres embarazadas, (e) inhabilidad física para salir de la bañera de hidromasaje y (f) pérdida del conocimiento con peligro de ahogarse.



WARNING: Riesgo de hipertermia. Las personas bajo tratamiento médico o que padezcan de alguna condición médica deben consultar a un médico antes de utilizar una bañera de hidromasaje equipada con un calentador.



WARNING: Riesgo de lesiones mortales. Las mujeres embarazadas o que posiblemente estén embarazadas deben consultar a un médico antes de usar la bañera de hidromasaje.



WARNING: Riesgo de hipertermia o ahogamiento. No utilice la bañera de hidromasaje inmediatamente después de hacer ejercicio.



WARNING: Riesgo de hipertermia o ahogamiento. La temperatura del agua superior a 100°F (38°C) puede causar lesiones. Pruebe y ajuste la temperatura del agua antes de usar la bañera.



WARNING: Riesgo de lesiones personales o ahogamiento. No permita que esta unidad funcione sin la guarda (tapa) en el conector de succión.



WARNING: Riesgo de lesiones personales. No deje caer ni introduzca objetos en ninguna de las aberturas.



WARNING: Riesgo de lesiones personales. Las piezas con corriente eléctrica, excepto las que se suministran con voltaje muy bajo que no exceda 12 V, deben quedar inaccesibles a la persona en la bañera de hidromasaje.

Use esta bañera de hidromasaje únicamente con el fin para el que se ha fabricado, tal como se explica en esta guía. No use equipos adicionales que no recomiende Kohler Co.

Instrucciones importantes de seguridad (cont.)

La bañera de hidromasaje se debe conectar a un circuito protegido por un interruptor de circuito con pérdida a tierra (GFCI)*. El instalador debe suministrar dicho interruptor GFCI, cuyo funcionamiento debe probarse en forma rutinaria. Para probar el GFCI, oprima el botón de prueba. El GFCI debe interrumpir el suministro eléctrico. Oprima el botón de restablecer (Reset). Esto debe restablecer el suministro eléctrico. Si el GFCI no funciona de esta manera, significa que está averiado. Si el GFCI interrumpe la alimentación eléctrica a la bañera de hidromasaje sin haber activado el botón de prueba, significa que existe corriente a tierra, indicando la posibilidad de una sacudida eléctrica. No utilice esta bañera de hidromasaje. Desconecte la bañera de hidromasaje y, antes de usarla, haga que un representante de servicio autorizado solucione el problema.

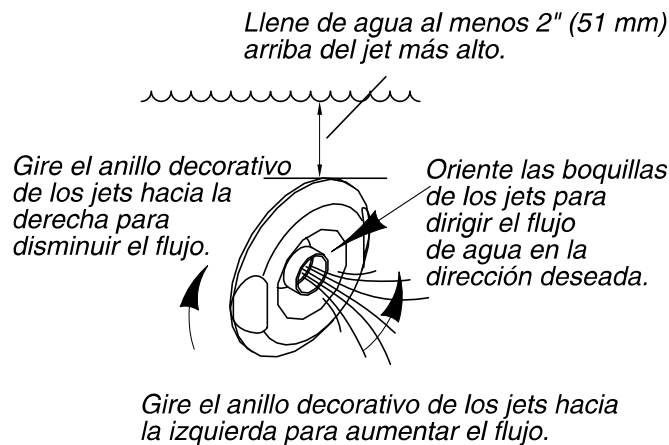
Limpie el sistema de hidromasaje dos o más veces al mes, de acuerdo al uso, tal como se describe en la sección "Haga circular agua para limpiar el sistema" de esta guía.

El uso constante de productos de higiene personal que contengan aceites puede dañar los componentes plásticos de la bañera de hidromasaje. Evite el uso de aceites de baño.

La acción del hidromasaje puede hacer que una pequeña cantidad de líquidos para hacer burbujas, champú, jabón o aceite de baño, espume en exceso. Por esta razón, no utilice estos productos durante el funcionamiento de la bañera de hidromasaje.

Su nueva bañera de hidromasaje KOHLER está incluida en la lista de Underwriter's Laboratories, asegurando así su seguridad y la de su familia. Asimismo, esta bañera de hidromasaje cumple las estrictas normas del ANSI y de IAPMO establecidas dentro de la industria de plomería.

*Fuera de Estados Unidos es posible que este dispositivo se conozca como dispositivo de corriente residual (RCD, por sus siglas en inglés).



Instrucciones de funcionamiento

NOTE: La temperatura del agua en la bañera de hidromasaje nunca debe exceder de 104°F (40°C).

- Cierre el desagüe, luego llene la bañera de hidromasaje por lo menos 2" (51 mm) arriba del jet más alto.
- Pruebe la temperatura del agua con la mano para su confort y seguridad, luego entre con cuidado a la bañera de hidromasaje.
- Oprima el interruptor de aire para encender la bomba.

NOTE: El calentador, si está equipado, se encenderá automáticamente.

- Ajuste los jets para obtener una mezcla óptima de aire/agua. Gire los anillos decorativos del jet hacia la derecha para reducir el flujo o hacia la izquierda para aumentarlo. Oriente las boquillas de los jets para dirigir el flujo de agua en la dirección deseada.
- Oprima el interruptor de aire por segunda vez para apagar la bomba.
- Salga con cuidado de la bañera de hidromasaje, luego abra el desagüe para vaciar el agua.

NOTE: Si la bañera de hidromasaje no funciona correctamente, consulte la sección "Procedimientos para resolver problemas".

Cuidado y limpieza

Para obtener los mejores resultados, tenga presente lo siguiente al limpiar su producto KOHLER:

- Siempre pruebe la solución de limpieza en un área oculta antes de aplicarla a toda la superficie.
- Limpie con un paño las superficies, y enjuague completa e inmediatamente con agua después de haber aplicado algún limpiador. Enjuague y seque las superficies cercanas donde hayan caído salpicaduras.
- No deje mucho tiempo los limpiadores en las superficies.
- Utilice una esponja humedecida, o un paño suave y húmedo. Para limpiar las superficies nunca utilice materiales abrasivos, como cepillos o estropajos.

Para obtener información detallada de limpieza y de productos a considerar, visite www.kohler.com/clean. Para solicitar información sobre cuidado y limpieza, llame al 1-800-456-4537.

Haga circular agua para limpiar el sistema

NOTE: Limpie el sistema de hidromasaje dos o más veces al mes, de acuerdo al uso.

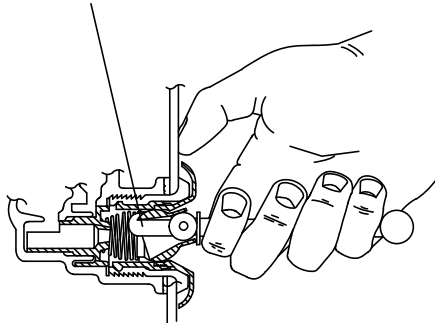
- Gire los anillos decorativos de los jets completamente hacia la derecha para reducir la inducción de aire.

Haga circular agua para limpiar el sistema (cont.)

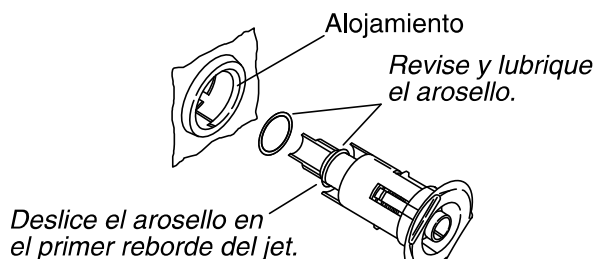
- Llene la bañera de hidromasaje con agua caliente a un nivel por lo menos 2" (51 mm) arriba del jet más alto.
- Añada al agua 2 cucharaditas (10 ml) de detergente para lavaplatos automático que produzca poca espuma y 20 onzas (590 ml) de blanqueador para uso doméstico (hipoclorito de sodio de 5 % a 6 %).
- Haga funcionar la bañera de hidromasaje de 5 a 10 minutos. Apague la bañera de hidromasaje y vacíela.
- Si lo desea, enjuague las superficies de la bañera con agua.
- Enjuague las superficies de los jets, la grifería, las agarraderas y el desagüe y seque con un paño suave.

Retire los jets

Inserte el gancho de la herramienta tal como se ilustra, y saque el jet del alojamiento. Al hacer esto, el jet debe estar orientado hacia arriba.



Vuelva a instalar los jets



Inserte el jet en el alojamiento, y empuje y gire ligeramente hasta que encaje en su lugar.

Resolución de problemas

NOTICE: El propósito de esta sección es solo ayuda general. Todos los problemas eléctricos deben ser resueltos por un representante de servicio autorizado de Kohler Co. o un electricista calificado. Para obtener el servicio de garantía, llame 1-800-4KOHLER desde EE.UU. y Canadá, o al 001-800-456-4537 desde México.

Para consultar información sobre piezas de repuesto, visite la página de su producto en kohler.com.

Retire los jets

NOTE: Se ha incluido una herramienta especial junto a los jets de repuesto, para retirar los jets de la bañera de hidromasaje. Esta herramienta también se incluye con cada kit de guarnición.

- Coloque la boquilla esférica del jet de manera que apunte hacia arriba.
- Inserte la herramienta de extracción, con el gancho hacia arriba, en la abertura del jet y enganche la parte superior interior de la boquilla.
- Sostenga la herramienta con firmeza y coloque el dedo pulgar contra la pared de la bañera de hidromasaje. Tire de la herramienta de manera uniforme hasta que el ensamblaje de jets salga del orificio. Tenga cuidado de no perder el arosello (O-ring).

Vuelva a instalar los jets

NOTE: Para permitir que el jet gire fácilmente y funcione correctamente, el arosello debe estar: (1) bien colocado, (2) lubricado y (3) en buenas condiciones.

- Instale el arosello en el **primer reborde** del jet.
- Utilice el paquete del tubo de silicona (que se incluye) para lubricar el arosello, con el fin de evitar un funcionamiento ruidoso del jet.
- Inserte con cuidado el jet en el alojamiento, luego empuje levemente y gire el jet hasta que encaje en su lugar. **No fuerce el jet.**
- Verifique que el jet esté instalado correctamente. El jet debe girar sin problemas en ambos sentidos. Retire y vuelva a instalar, si es necesario.

Resolución de problemas (cont.)

Síntomas	Causas probables	Acción recomendada
1. La bañera de hidromasaje no se enciende o no se apaga.	<p>A. El motor no recibe alimentación eléctrica.</p> <p>B. La manguera de aire está suelta o desconectada.</p> <p>C. La manguera de aire está pellizcada o doblada.</p> <p>D. El ensamblaje del botón pulsador está dañado.</p> <p>E. El botón pulsador tiene grasa en el área de purga.</p> <p>F. La manguera de aire está dañada.</p> <p>G. El motor/la bomba no funciona.</p>	<p>A. Verifique que la bomba y que el calentador estén enchufados y que el interruptor GFCI o RCD esté en la posición correcta. Enchufe o restablezca (reset) el interruptor GFCI/RCD, según sea necesario.</p> <p>B. Verifique que la manguera esté conectada tanto al extremo de la bomba/el receptor como al interruptor de aire. Vuelva a conectar si es necesario.</p> <p>C. Ajuste la manguera para eliminar el área pellizcada/doblada. Si el tubo está pellizcado/doblado y no es posible ajustarlo, o bien no se ve la sección pellizcada/doblada, haga un orificio pequeño en el tubo con una tachuela y vuelva a probar el sistema.</p> <p>D. Cambie el ensamblaje del botón pulsador.</p> <p>E. Desensamble el ensamblaje del botón pulsador y limpie el exceso de grasa. Vuelva a ensamblar el ensamblaje del botón pulsador y vuelva a probar el sistema.</p> <p>F. Cambie la manguera de aire.</p> <p>G. Cambie el motor/la bomba.</p>
2. El motor arranca, pero no todos los jets funcionan.	<p>A. El jet está cerrado.</p> <p>B. El jet no está instalado correctamente.</p> <p>C. Los jets están tapados.</p>	<p>A. Gire el anillo decorativo del jet hacia la izquierda para abrirlo.</p> <p>B. Vuelva a instalar el jet; revise que el arosello no esté dañado.</p> <p>C. Elimine la obstrucción.</p>
3. La bomba no ceba.	<p>A. La bomba se ha acuñado demasiado alto.</p>	<p>A. Baje la ménsula de soporte de la bomba.</p>
4. Funcionamiento ruidoso.	<p>A. Las cintas flejadoras de la bomba no han sido cortadas. (Solo modelos con bloques de soporte).</p> <p>B. El arosello del jet está mal colocado.</p>	<p>A. Corte las cintas flejadoras de la bomba con tijeras para chapa.</p> <p>B. Retire el jet, cambie y lubrique el arosello, y vuelva a instalar el jet.</p>
5. El calentador no funciona. (Solo modelos "H")	<p>A. El calentador no recibe alimentación eléctrica.</p> <p>B. La temperatura del agua excede 104°F (40°C).</p> <p>C. El calentador no funciona.</p>	<p>A. Restablezca el GFCI o RCD.</p> <p>B. Deje enfriar el agua y el calentador se reactivará.</p> <p>C. Cambie el calentador.</p>

USA/Canada: 1-800-4KOHLER

México: 001-800-456-4537

kohler.com

THE BOLD LOOK
OF **KOHLER**®

©2020 Kohler Co.

1193346-2-G