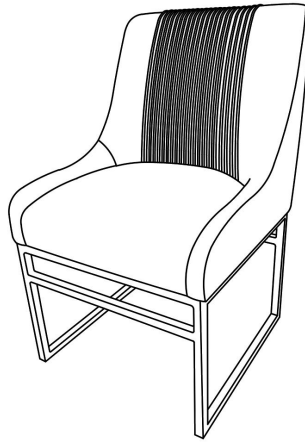
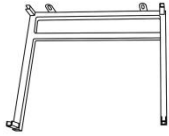


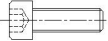



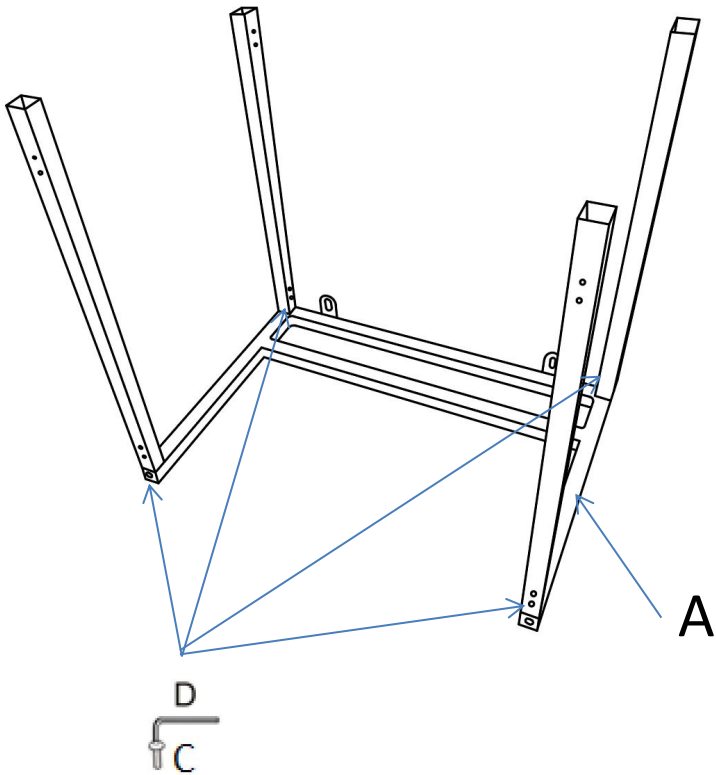


ACCENT CHAIR

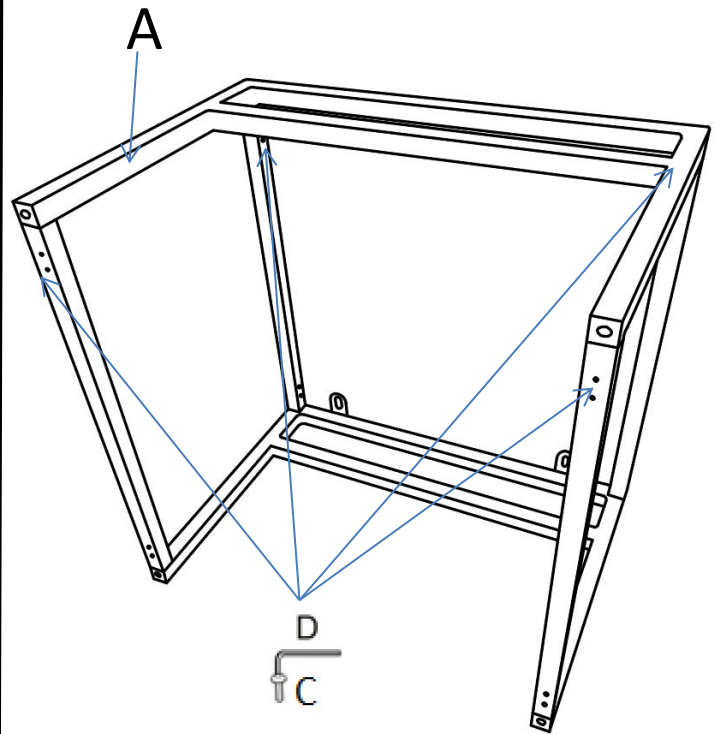


PARTSLIST		
LABEL	PICTURE	QTY
A		2
B		4
B-L		1
HARDWARE		
LABEL	PICTURE	QTY
C		16
D		1
E		4
F		4

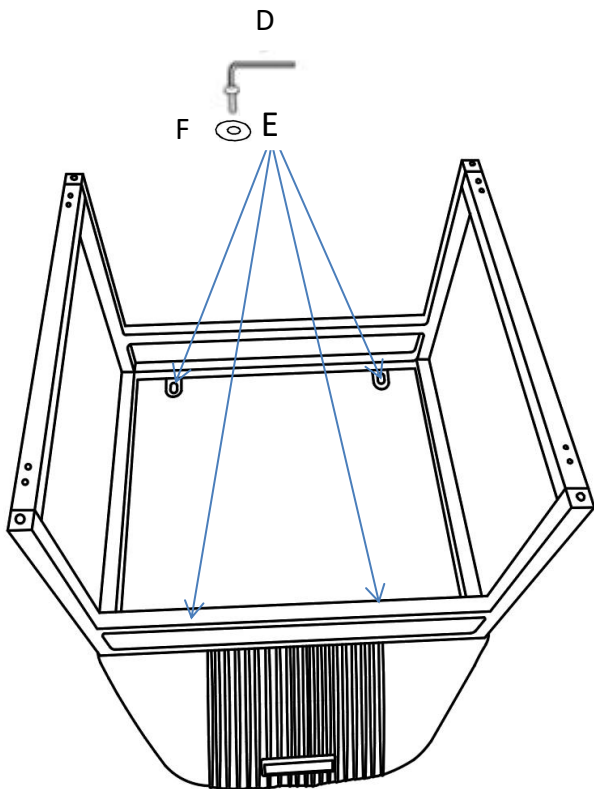
Step1



Step2



Step3



Step4

