

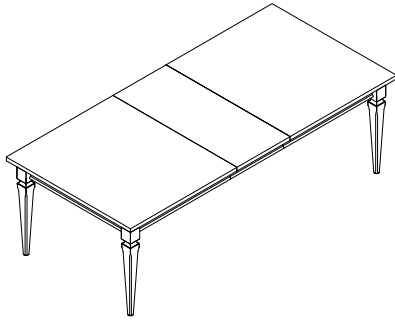
# ASSEMBLY INSTRUCTION FOR ACME FURNITURE

Model #DN02273

## DESCRIPTION: RECTANGULAR LEG TABLE

Thank you for purchasing this quality product. Be sure to check all packing materials carefully for small parts, which may have come loose inside the carton during shipment. Identify and count all parts and compare with the parts list below.

**\*\* Do not fully tighten screws until fully assembled \*\***



HARDWARE LIST			
NO.	Drawing	Description	Q'ty
A		Bolt (Φ1/4"x1-1/2")	4pcs
B		Flat washer (Ø1/4"x19mm)	4pcs
C		Spring washer (Ø1/4")	4pcs
D		Allen wrench (4mm)	1pc
E		Bolt (Φ5/16"x2-1/2")	8pcs
F		Flat washer (Ø5/16"x23mm)	8pcs
G		Spring washer (Ø5/16")	8pcs
H		Ø5/16" Wrench(12mm)	1pc

### PARTS LIST:

①	②	③	④
TABLE TOP: 1PC	LEGS: 4PCS	LEAF: 1PC	SUPPORT BAR: 2PCS

**STEP 1**

**STEP 2**

### CLEANING INSTRUCTION

Clean the surface of the Rectangular Leg Table with furniture polish and a soft cloth.

Attention

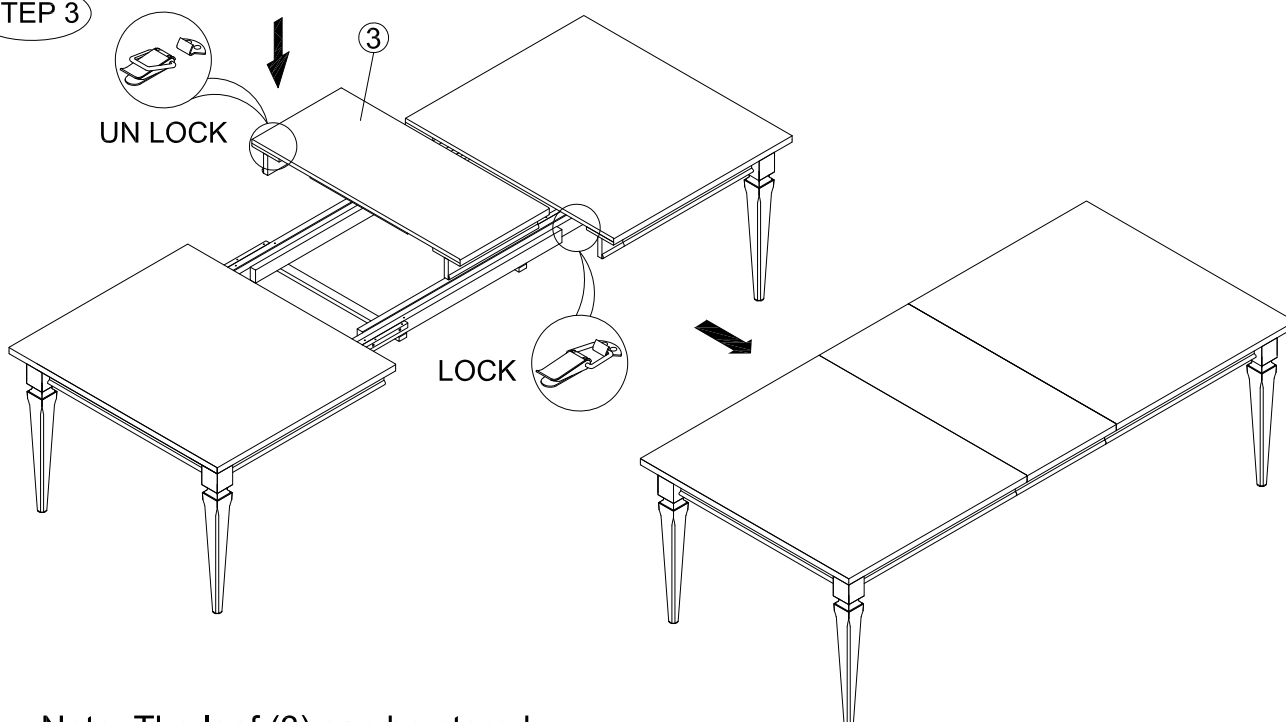
\*\*\* Some number parts listed on the instruction sheet may not be in parts bag as they may be assembled. Carefully check parts and packing materials prior to ordering replacements.\*\*\*

# ASSEMBLY INSTRUCTION FOR ACME FURNITURE

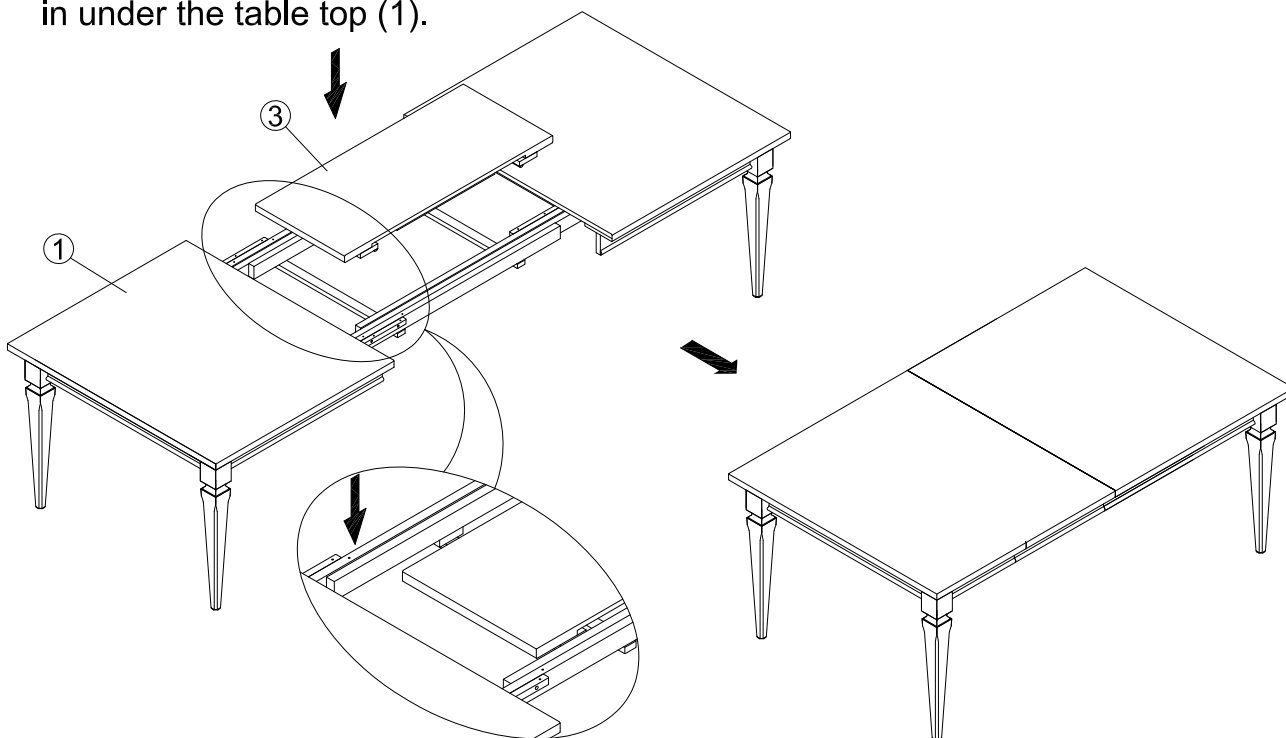
Model #DN02273

DESCRIPTION: RECTANGULAR LEG TABLE

STEP 3



Note: The leaf (3) can be stored in under the table top (1).



## **CLEANING INSTRUCTION**

Clean the surface of the Rectangular Leg Table with furniture polish and a soft cloth.

Attention

\*\*\* Some number parts listed on the instruction sheet may not be in parts bag as they may be assembled. Carefully check parts and packing materials prior to ordering replacements.\*\*\*