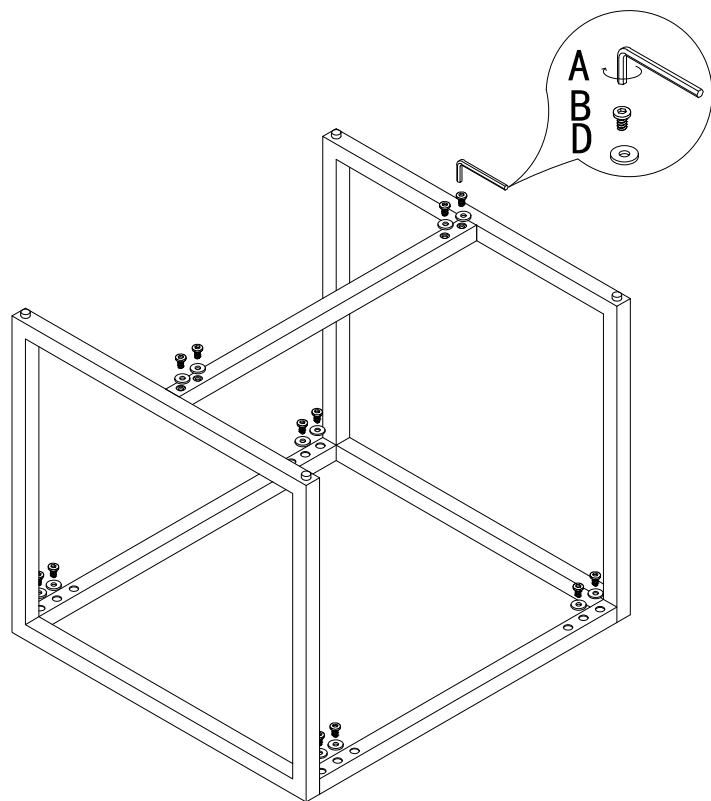
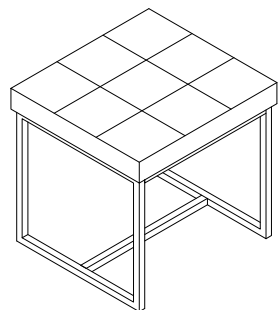
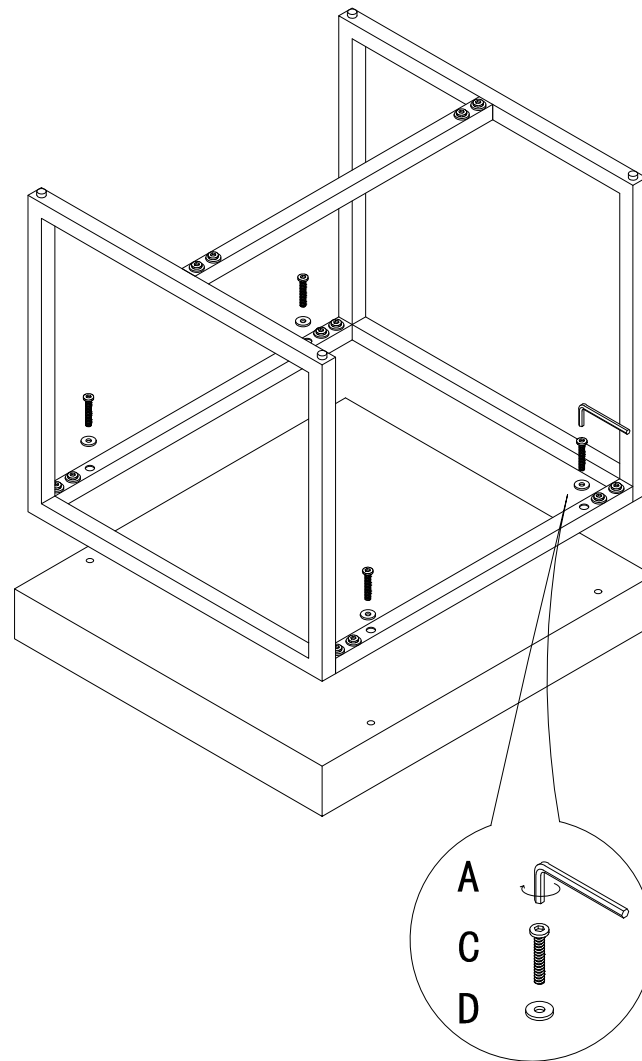


1

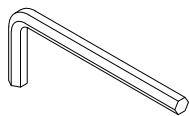


2



Y1217-4

A



x1

B



x12

C



x4

D



x16