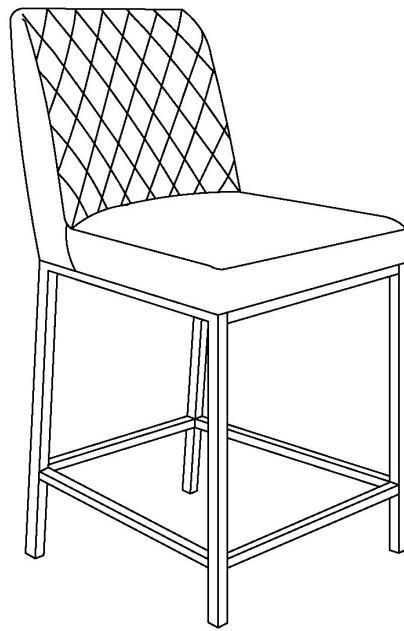


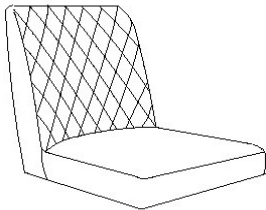
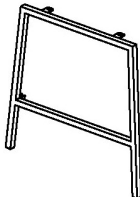
Assembly Instructions

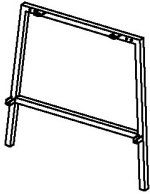

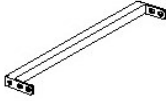


Caution : You must read this before you proceed

Counter Stool







Parts List

Label	Picture	Description	QTY
A		Backrest	1
B		Left Metal Leg Frame (with pre-installed levelers)	1

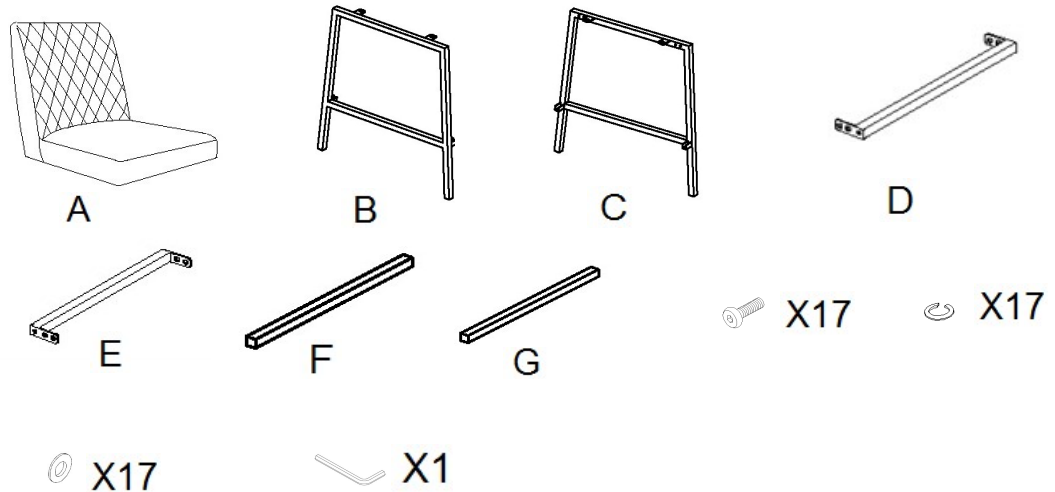
C		Right Metal Leg Frame(with pre-installed levelers)	1
D		Front-Upper-Long Rail(440MM)	1
E		Back-Upper-Short Rail(405MM)	1
F		Front-Lower-Long Rail(440MM)	1
G		Back-Lower-Short Rail(405MM)	1

Hardware

Label	Picture	Description	QTY
①		Bolt (M6*19mm)	17
②		Spring Washer	17
③		Washer	17
④		Allen Wrench	1

Assembly Preparation

Before Beginning Assembly:



- Read instructions, cover to cover-



- Have 2 adults on hand for assembly-



- Do not assemble on flooring or carpet-



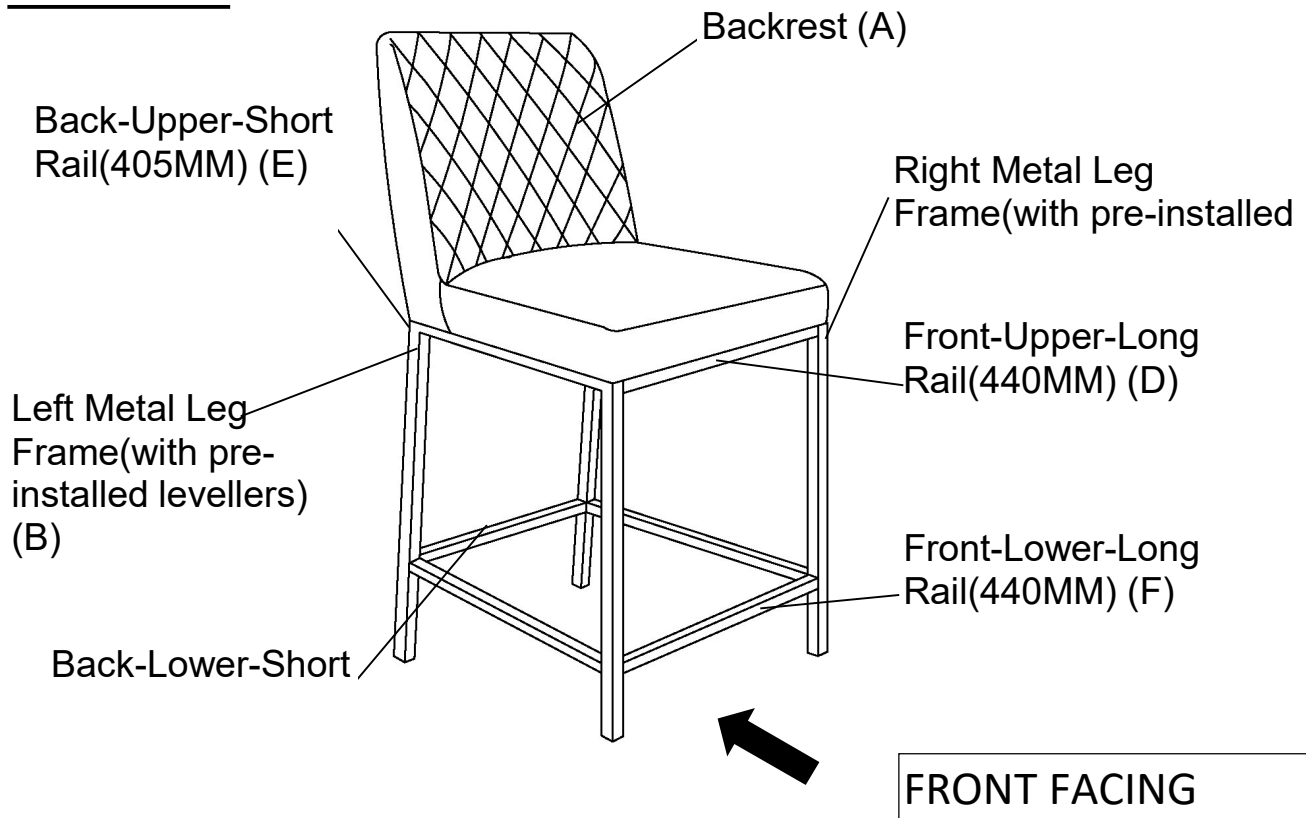
- Assemble on a clean non-marring surface (packing foam)-



- Save all packaging until finished-

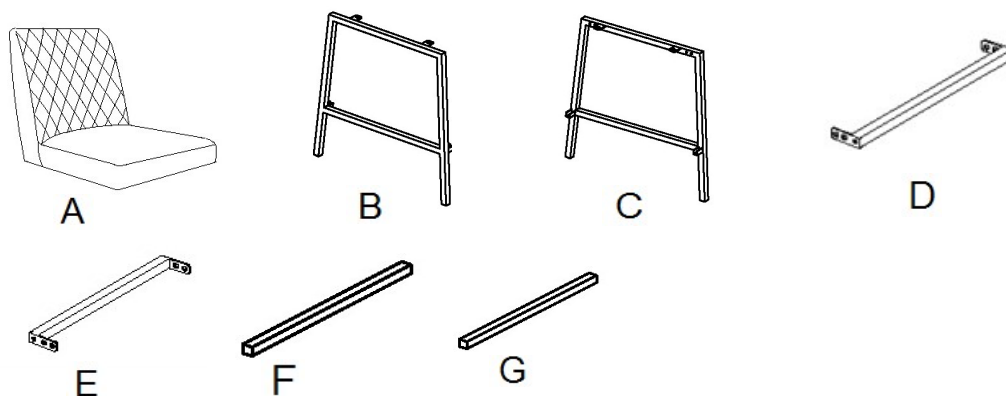
Assembly Steps

Overview



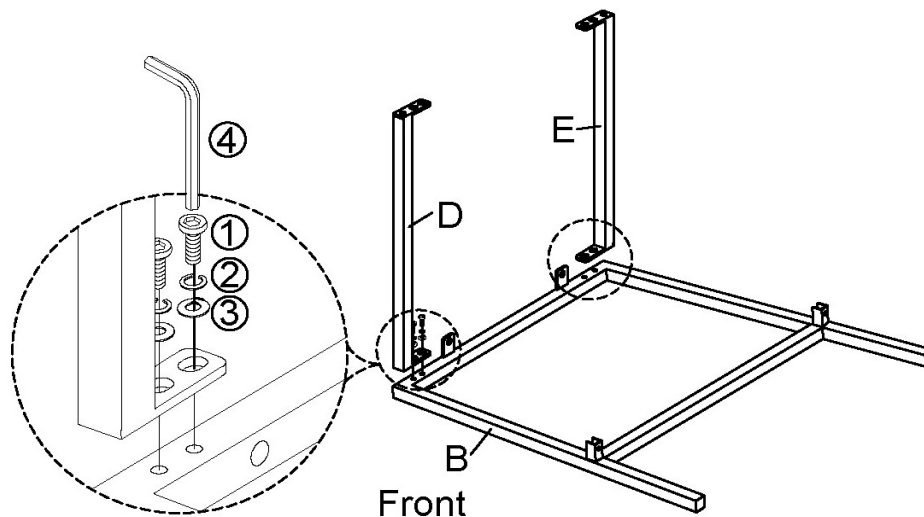
This Counter Stool has multiple parts and may require up to 30 minutes to assemble. To give you an overview of the Counter Stool, the above picture is to help you put the various parts into perspective. Please read through the instructions below to familiarise yourself with the parts and steps before assembly.

Step 1



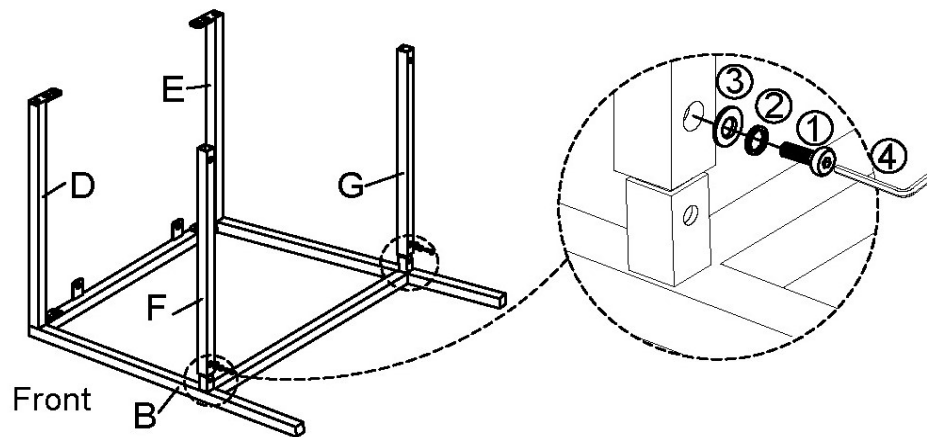
Place the Backrest(A), Left Metal Leg Frame(B), Right Metal Leg Frame(C), Front-Upper-Long Rail(440MM)(D) ,Back-Upper-Short Rail(405MM)(E), Front-Lower-Long Rail(440MM)(F) and Back-Lower-Short Rail(405MM)(G) on a clean, non-marring surface.

Step 2



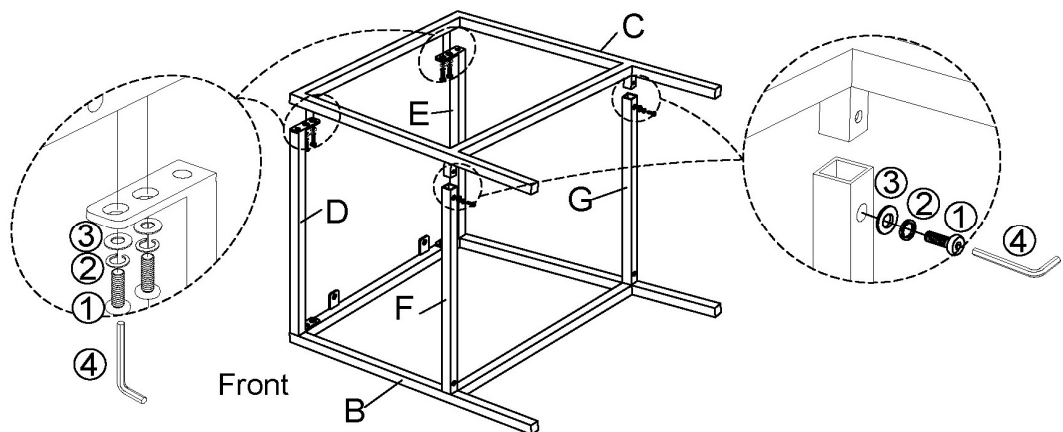
Attach the Front-Upper-Long Rail(440MM)(D) and Back-Upper-Short Rail(405MM)(E) to the Left Metal Leg Frame(B) using the Bolts(①), Spring Washers(②), and Washers (③), with the Allen Wrench(④) as shown above.

Step 3



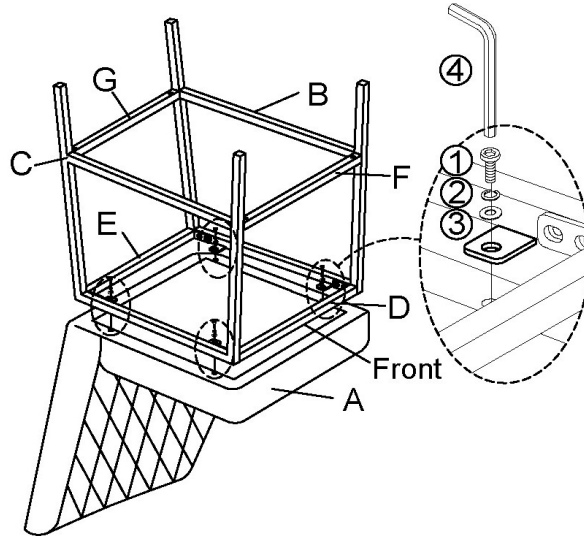
Insert the Front-Lower-Long Rail(440MM)(F) and the Back-Lower-Short Rail(405MM)(G) to the Left Metal Leg Frame(B) using the Bolts(①), Spring Washers(②), and Washers (③), with the Allen Wrench(④) as shown above.

Step 4



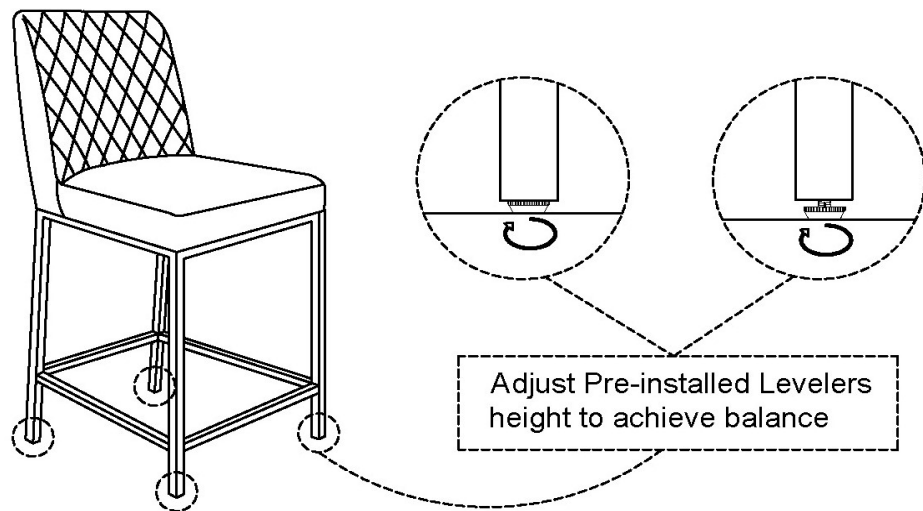
Attach the Right Metal Leg Frame(C) to the Front-Upper-Long Rail(440MM)(D) ,Back-Upper-Short Rail(405MM)(E), Front-Lower-Long Rail(440MM)(F) and Back-Lower-Short Rail(405MM)(G) using the Bolts(①), Spring Washers(②) and Washers (③), with the Allen Wrench(④) as shown above.

Step 5



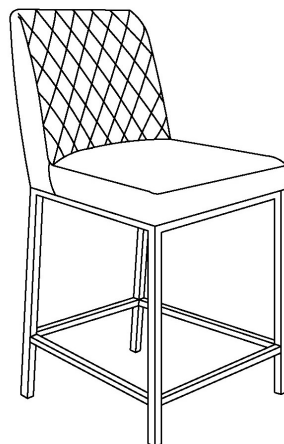
Attach the Left Metal Leg Frame(B) and the Right Metal Leg Frame(C) to the Backrest(A) Using the Bolts(①), Spring Washers(②) and Washers (③), with the Allen Wrench(④) to affix it as shown above.

Step 6



Adjust the Pre-installed Levelers at the bottom of the Left Metal Leg Frame(B) and the Right Metal Leg Frame(C) until the Counter Stool is level with the ground










Step 7




Your Counter Stool ready for use.

This Counter Stool can only be used on a flat, level surface.

Care & Maintenance

- ⊘  • Prolonged exposure to rain may cause rusting which can stain floors.
- ⊘  • Do not put hot items directly on furniture surface.
- ⊘  • Do not clean furniture with harsh cleansers or polish.
- ⊘  • To obtain the longest lifespan of your outdoor products, minimizing exposure to direct sunlight is recommended.
- ⊘  • Children should not climb or jump on the furniture.
- ⊘  • Do not write on furniture without a padded barrier to protect the surface.
- ⊘  • To obtain the longest lifespan of your outdoor products, avoid extended and lengthy exposure to rain, snow, and direct sunshine. Whenever possible cover the product and /or place under patio or awnings.
- ⊘  • Not for commercial use. For residential use only.
- ⊘  • Stains may be removed with mild soap solution and damp cloth.
- ⊘  • Keep away from sources of ignition.

- ✓  • Dust and pick-up spills using a clean, non-colored, lint-free cloth.