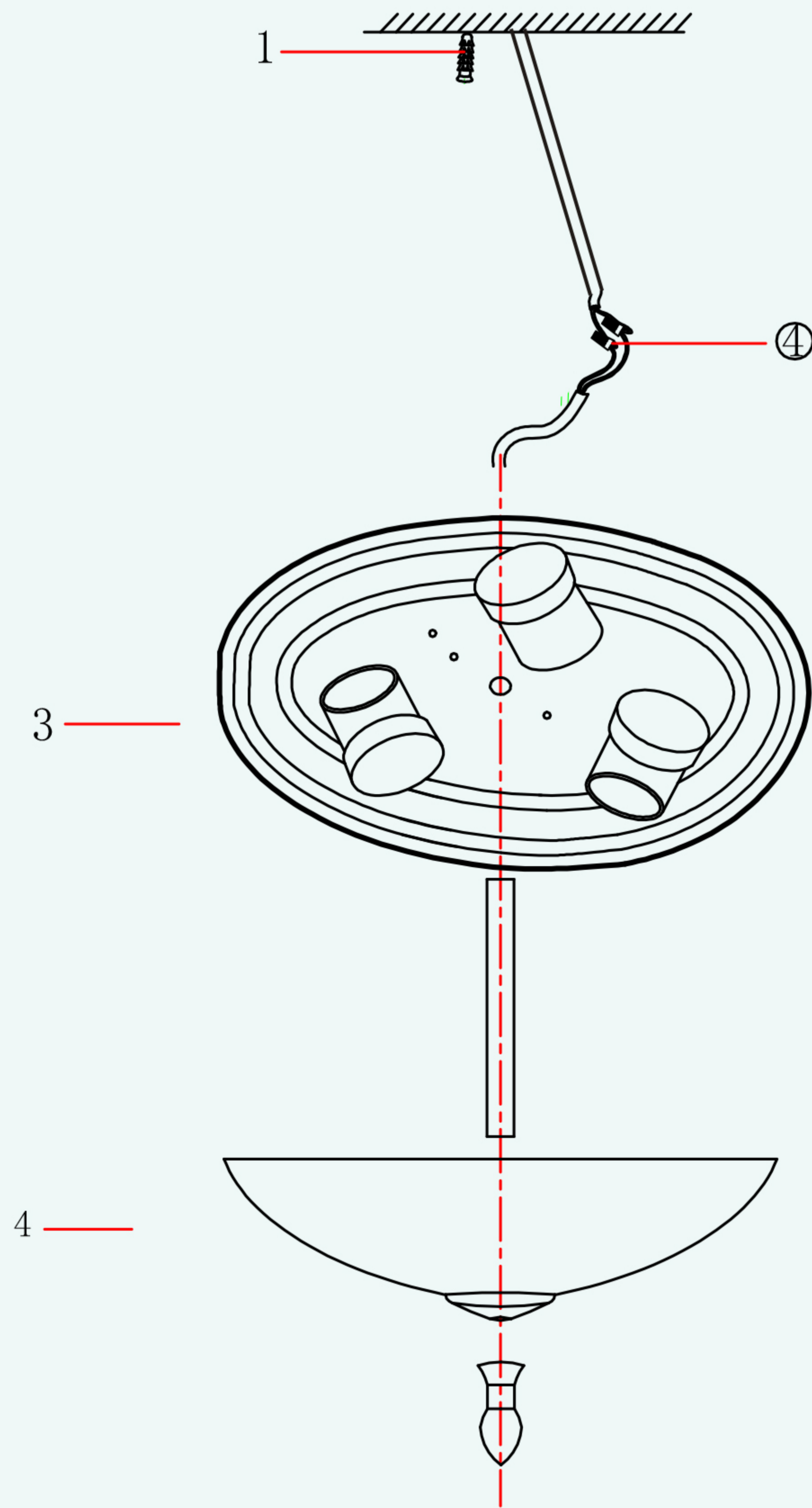
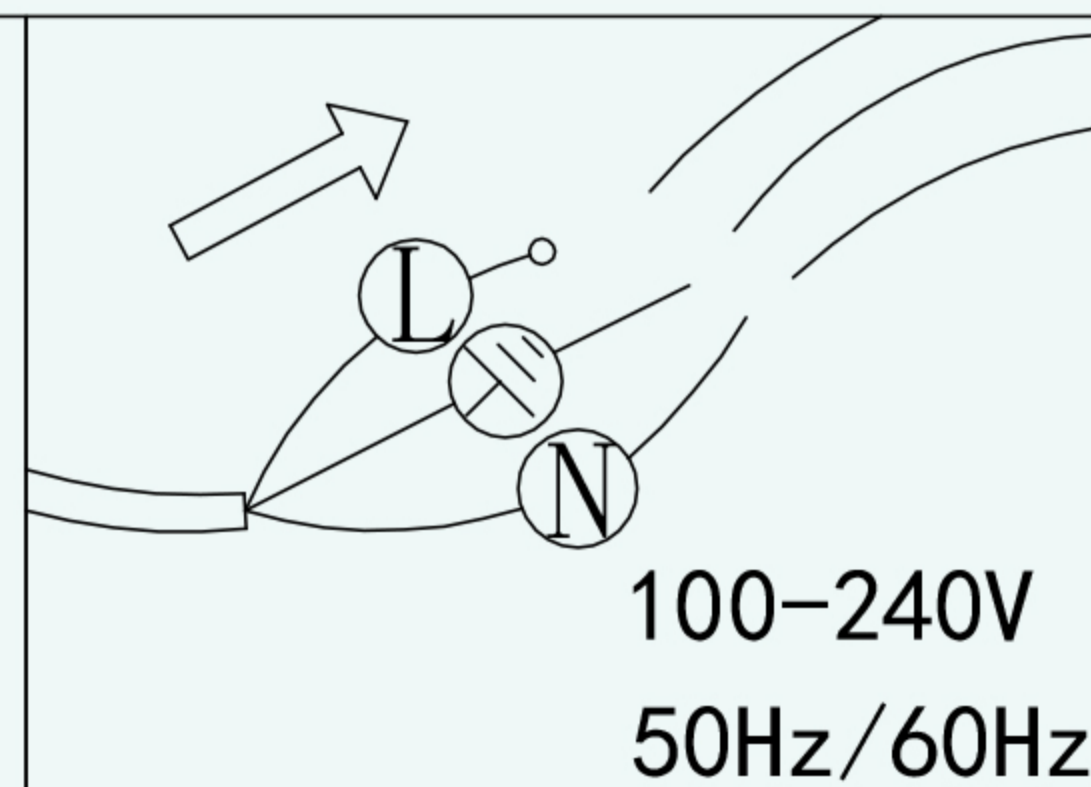


INSTALLATION



Ceiling Lamp

100-240V
50Hz/60Hz
MAX:60W



Installation:

- ① Drill a hole in the ceiling.
- 2 Insert the expansion bolt in the ceiling.
- 3 Connect the cable.
- 4 Install the lamp panel on the ceiling with screws
- 5 Put the lamp shade and light source.

Cautions:

- ◆ Should be installed by professional person
- ◆ During the cleaning and installation remember to cut the power off
- ◆ Keep the lamps away from corrosive chemical and air such as acid and alkali.
- ◆ Do not wash it with water, but wipe it clean with a soft cloth.

Accessory List

No	Part Name	Photo	QTY
	Screw		4
	Decorative nuts		1
	lamp panel		1
	The lampshade		1