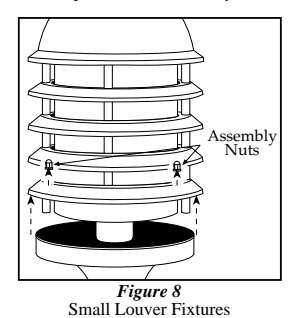
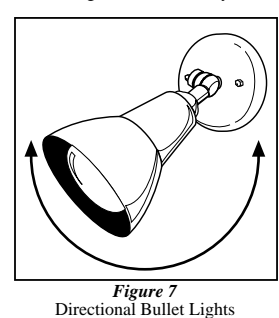
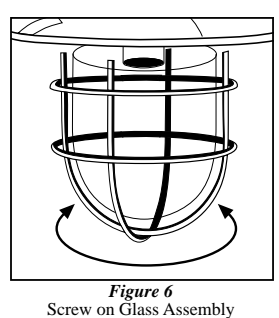
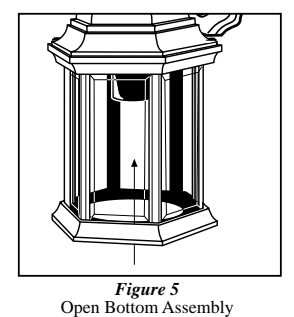
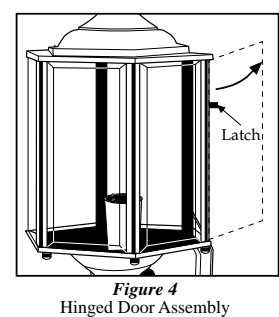
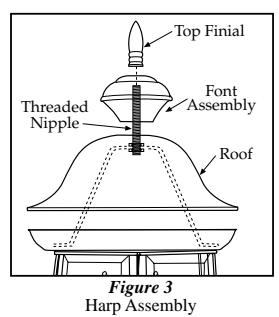
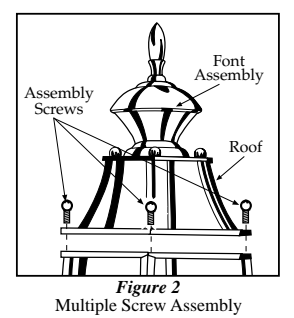
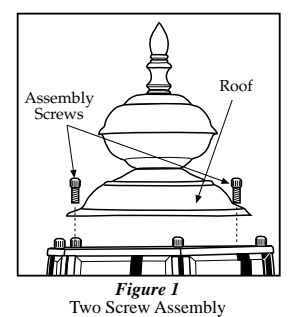
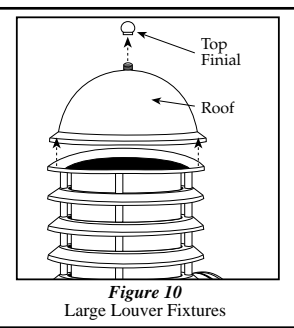
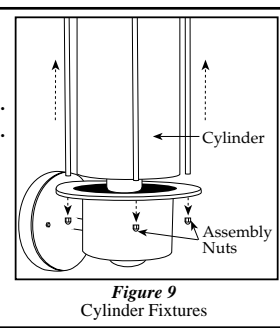


Bulb Installation & Roof Assembly

- a. For two screw and multiple screw assembly roofs, remove assembly screws on roof and remove roof. Insert bulb(s). Reattach roof (see figures 1 or 2).
- b. For harp assembly roofs, unscrew top finial to remove font assembly and roof from threaded nipple. Insert bulbs. Reattach roof, font assembly and top finial (see figure 3).
- c. For fixtures with a hinged door, lift latch upwards to open door. Insert bulb(s) and re-latch the door (see figure 4).
- d. For open bottom fixtures, insert bulb(s) through bottom opening (see figure 5).
- e. For screw on glass fixtures, unscrew glass counter-clock wise, insert bulb(s) and screw glass back on (see figure 6).
- f. To prevent water from entering the bullet light fixture, do not position light beyond 65° in any direction (see figure 7).
- g. For small Louver fixture, unscrew assembly nuts on bottom. Lift body of fixture slightly, insert bulb and reattach body using assembly nuts. (see figure 8)



- g. For Cylinder fixtures, unscrew the assembly nuts from bottom, lift body of fixture slightly. Insert bulb. Reattach body using assembly nuts.
- h. For large Louver fixtures, unscrew top finial, remove roof and insert bulb. Reattach roof with top finial. (see figure 10)
- i. Turn power on.



IMPORTANT! PLEASE READ:

All this light solid brass and cast aluminum lanterns are prepared with a durable lacquer finish or a powder-coated/painted finish. Please note that the brass finish or painted finish on exterior lanterns will weather or tarnish over time, depending upon the environmental conditions where the lantern is installed. Your proper care of lanterns (see below) will enhance both the life and appearance of the lanterns. Post treatments, such as clear lacquer, are not recommended.

PROPER CARE
In order to maximize the appearance of a brass lantern, it is important that dust and debris is removed from the surface of the lantern periodically. It is recommended that the lanterns be wiped down weekly using a soft, dry or damp cloth.

DO NOT use any abrasives such as car wax, brass cleaners or other polishes, glass cleaners or chemicals, as this will scratch/remove/damage the protective coating, allowing moisture and pollutants to come in contact with the brass, which will result in discoloration and pitting.

All this light cast aluminum lanterns receive a durable powder coat finish, which enhances the durability of the lantern. This finish should also be wiped down weekly with a soft, dry or damp cloth to remove the dust and debris that will accumulate on the surface. **DO NOT** use any abrasives such as car wax, brass cleaners or other polishes, glass cleaners or chemicals as this may damage the finish.

FAILURE TO FOLLOW THE ABOVE CARE INSTRUCTIONS WILL VOID THE WARRANTY OF THE LANTERN.

Please send the following information...

1. The Model Number and Finish – Polished, Antique, White, etc.
2. The name of the part – if you have a parts problem.
3. Your name, mailing address and phone number (with area code).

LIMITED WARRANTY
We warrant against defects in materials or workmanship for a period of FIVE (5) YEARS from date of purchase for use, and agrees to repair or, at our option, replace a defective unit without charge.

IMPORTANT: This Warranty does not cover damage resulting from accident, misuse or abuse, lack of reasonable care (see above), the affixing of any attachment not provided with the product, alteration of any attachments factory installed, loss of parts or subjecting the fixture to any but the specified electrical service. This warranty does not cover failure of bulbs due to accidents, abuse, misuse, vandalism, power surges, and acts of nature such as lightning damage or any bulbs purchased separately and installed by the consumer or any damage to the fixture caused by a separately purchased bulb.

No responsibility is assumed for any special incidental or consequential damages. Damages occurring during transit are not covered by this warranty.

Mounting Instructions for Indoor & Outdoor Ceiling or Wall Mount Fixtures

Installation is as Easy as 1, 2, 3!

-Tools Required-

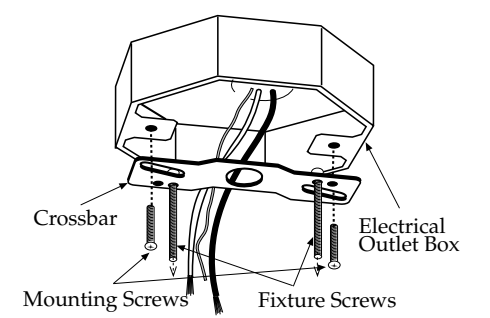
CAUTION
Disconnect Power
Always shut off power at the circuit breaker or disconnect fuse when installing or repairing this, or any other electric appliance.

FAILURE TO DO SO MAY RESULT IN SEVERE INJURY OR DEATH.

Phillips Screwdriver, Caulking, Bulbs

1 Prepare Wall or Ceiling Outlet

- a. Locate mounting hardware included with fixture.
- b. Pull black, white and ground wires out of electrical outlet box. For both interior and exterior lighting, thread fixture screws into crossbar as shown.
- c. Mount crossbar or large fixture mounting bracket to outlet box using mounting screws supplied with electrical outlet box.



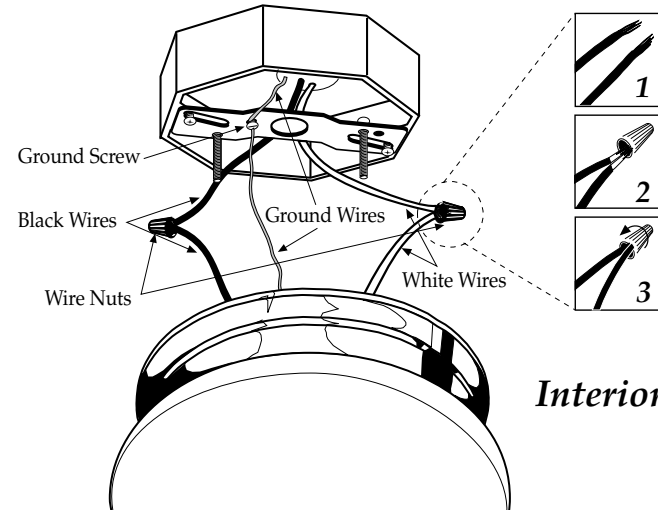
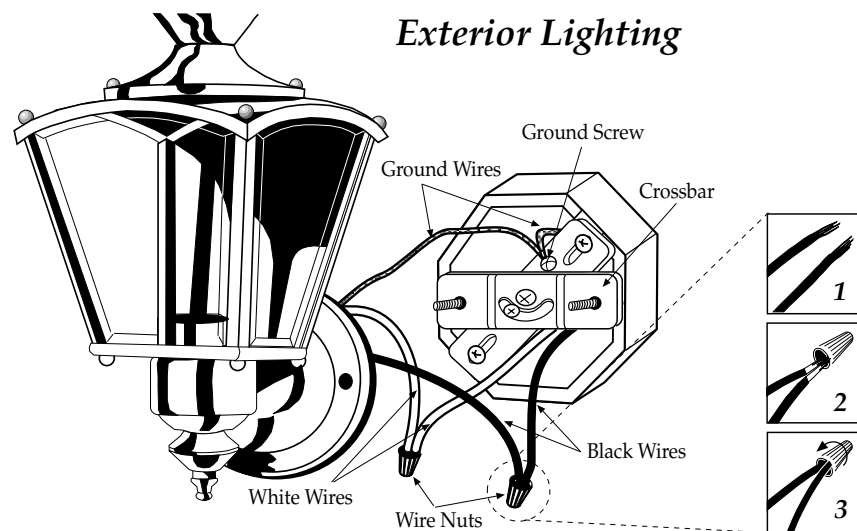
Ceiling Mount

Large Fixture Mounting Bracket

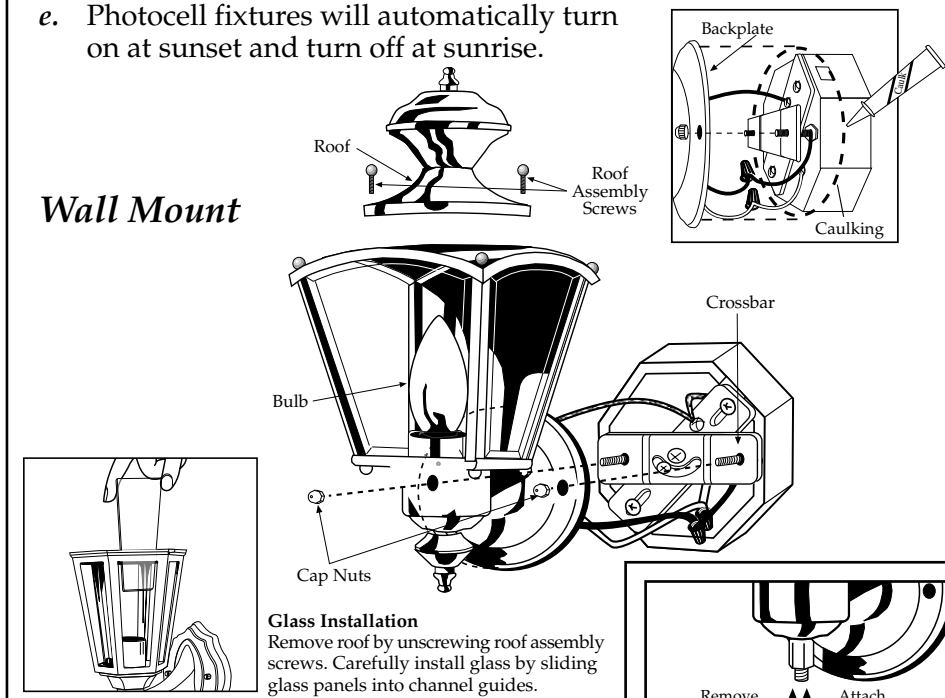
Wall Mount

2**Wire Fixture to Outlet**

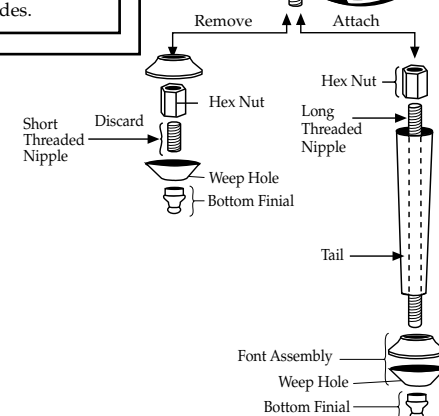
- Twist together white fixture wire with white outlet wire. Next, twist together black fixture wire with black outlet wire. Use wire nuts (which should be included in your junction box) to secure connections.
- Connect fixture ground wire (if provided) and outlet ground wire to ground screw on crossbar as shown in diagrams.

*Interior Lighting**Exterior Lighting***3a****Mount Outdoor Fixture to Wall**

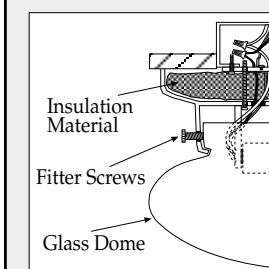
- Tuck wires back into the electrical outlet box.
- Attach fixture to crossbar. Tighten cap nuts to hold fixture to the wall.
- Remove roof assembly screws. Remove roof and insert bulb. Reattach roof (see *Bulb Installation & Roof Assembly* section).
- To prevent moisture from entering the outlet box and causing a short, use clear caulking to outline the outside of the fixture's backplate where it meets the wall, leaving a space at the bottom to allow moisture a means of escape.
- Photocell fixtures will automatically turn on at sunset and turn off at sunrise.

Wall Mount**Adding Optional Tail Assembly**

Remove bottom finial, font assembly, short threaded nipple (discard), and hex nut. Reattach hex nut, then long threaded nipple, tail, font assembly with "weep hole" on bottom. Secure with bottom finial as shown.

**3B****Mount Indoor Fixture to Ceiling**

- Tuck wires back into the electrical box.
- Attach fixture to crossbar, making sure the insulation material (if provided) stays between the ceiling and the fixture. Attach lockwashers and nuts. Twist fixture clockwise to lock screws into slotted holes in canopy. Tighten nuts to secure fixture to ceiling.
- Install bulb(s) before adding glass. Use screw cap and finial to secure globe to fixture, being careful not to over-tighten as excess pressure may cause glass to break.

Interior Lighting**For Fixtures without Finial**

Install bulb(s) before adding globe. Use Fitter Screws to hold globe to fixture, being careful not to over-tighten as excess pressure may cause glass to break.

