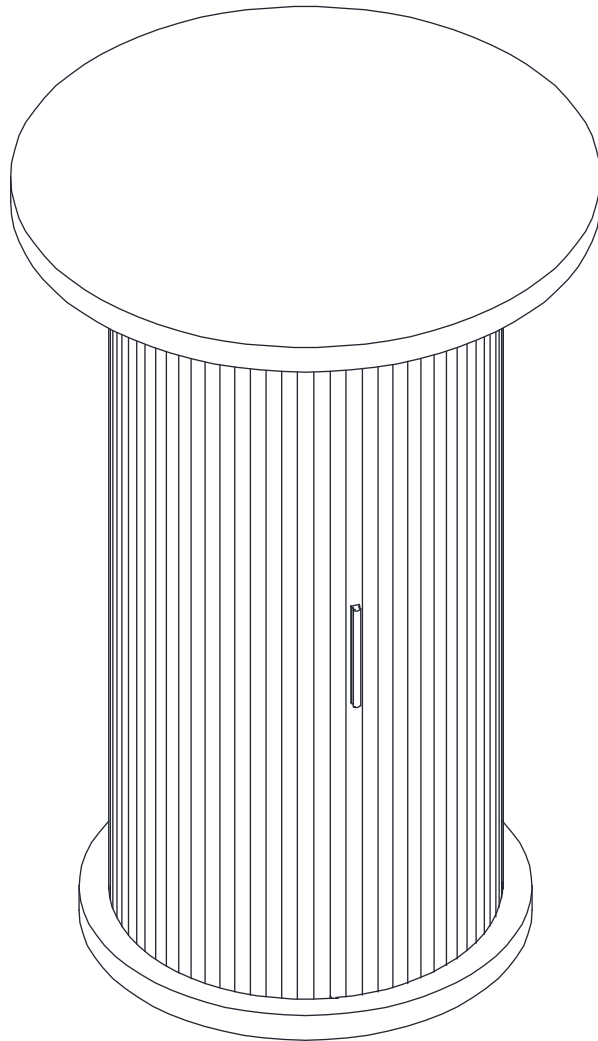


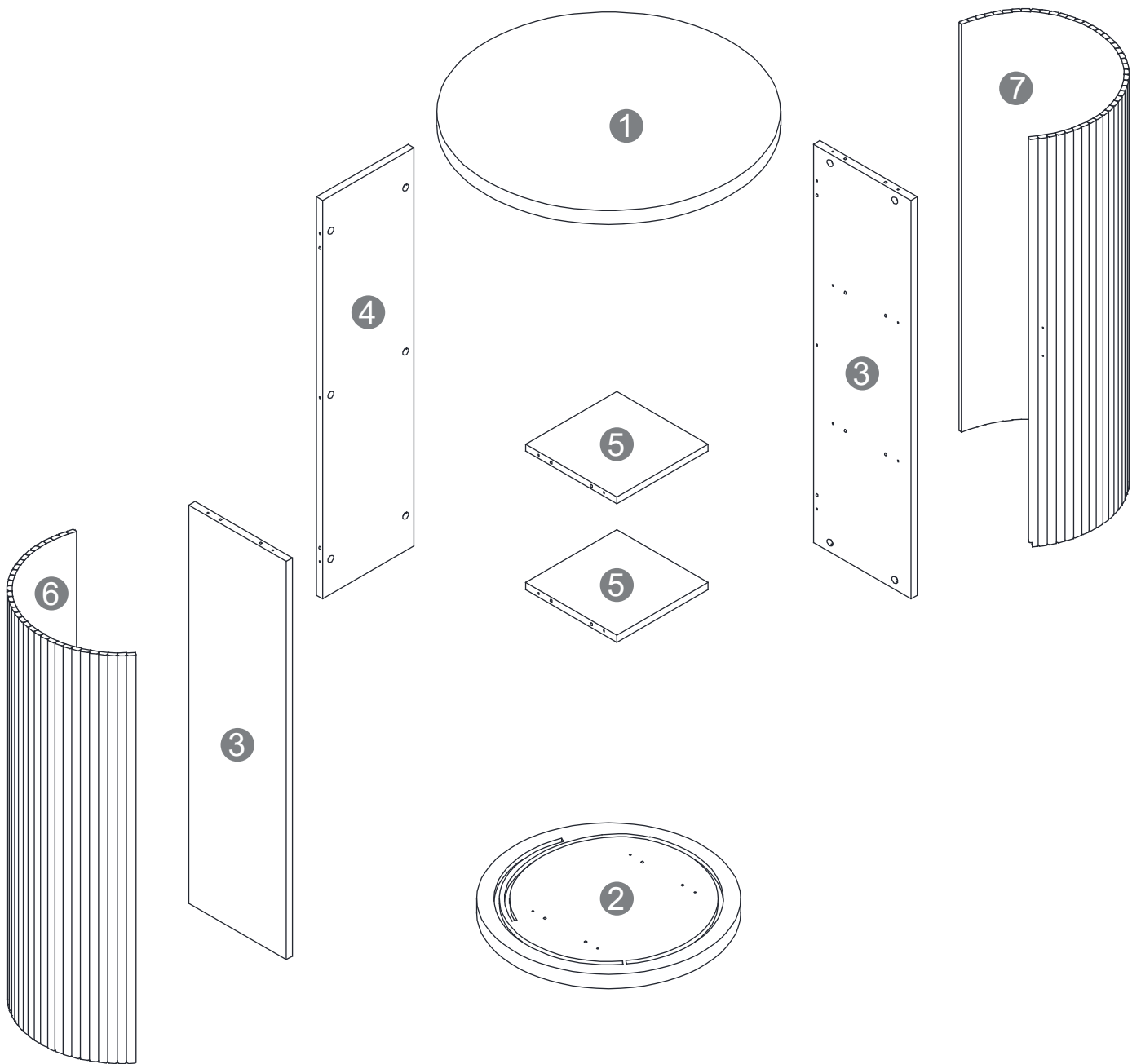
Assembly Instructions

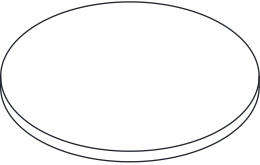
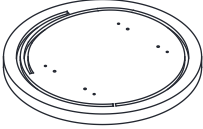


Two-person assembly required

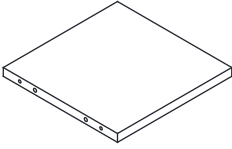




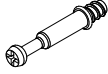

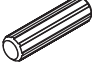
If you have any questions, please contact us



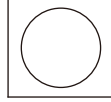

We will help you within 24 hours



Item no.	Reference Image	Qty.
1		X1
2		X1
3		X2
4		X1

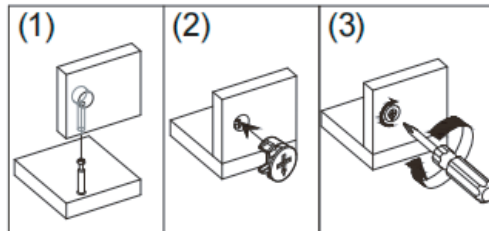
Item no.	Reference Image	Qty.
5		X2
6		X1
7		X1

Item no.	Reference Image	Qty.
(A)	 M6*35mm	X22
(B)	 φ15*10mm	X22
(C)	 φ8*30mm	X20

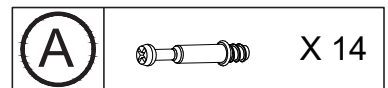
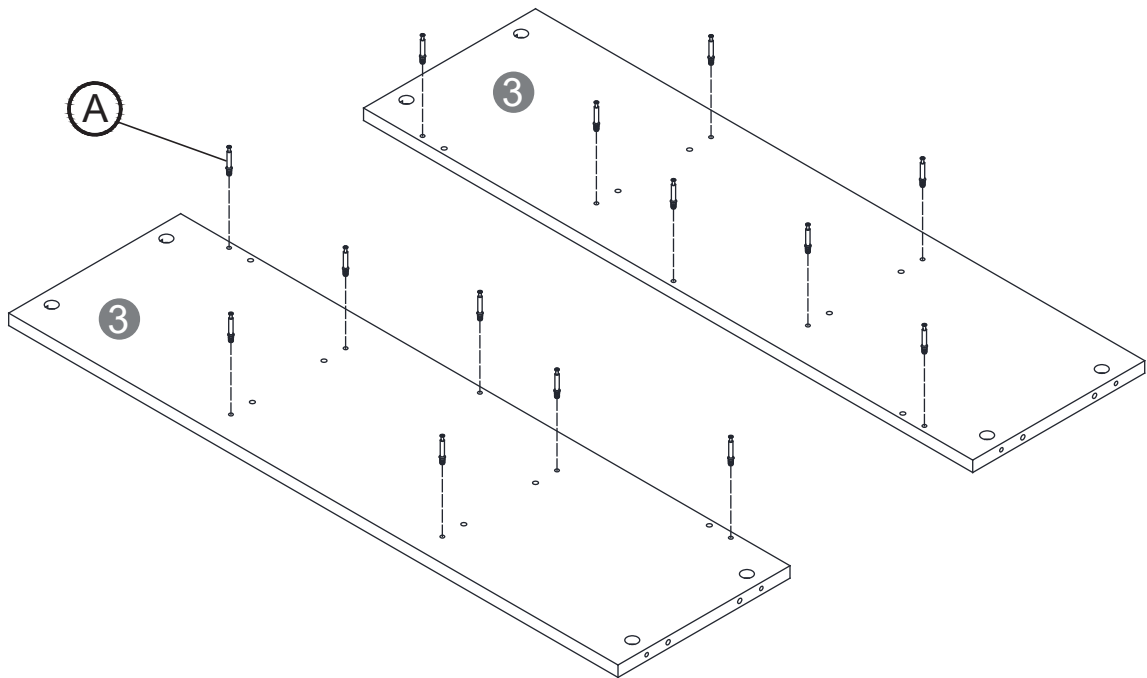
Item no.	Reference Image	Qty.
(D)	 M4*12mm	X2
(E)		X1
(F)		X22
(G)		X1

Cam Lock Fastening System

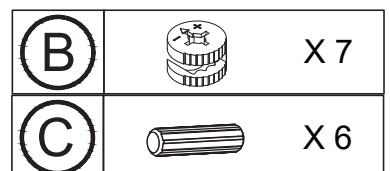
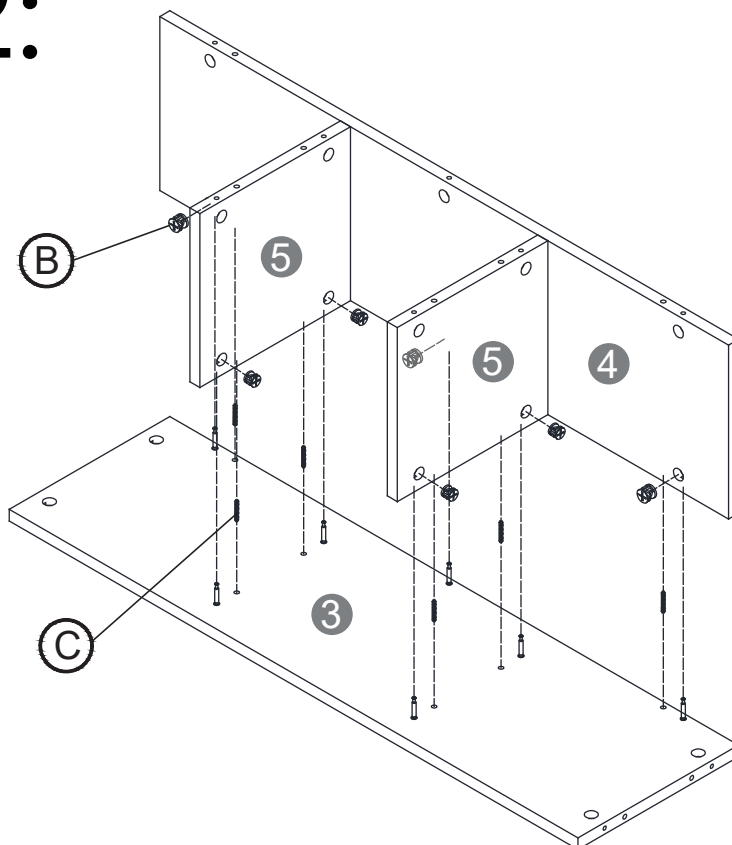
This Cam Lock Fastening System will be used throughout the assembly process



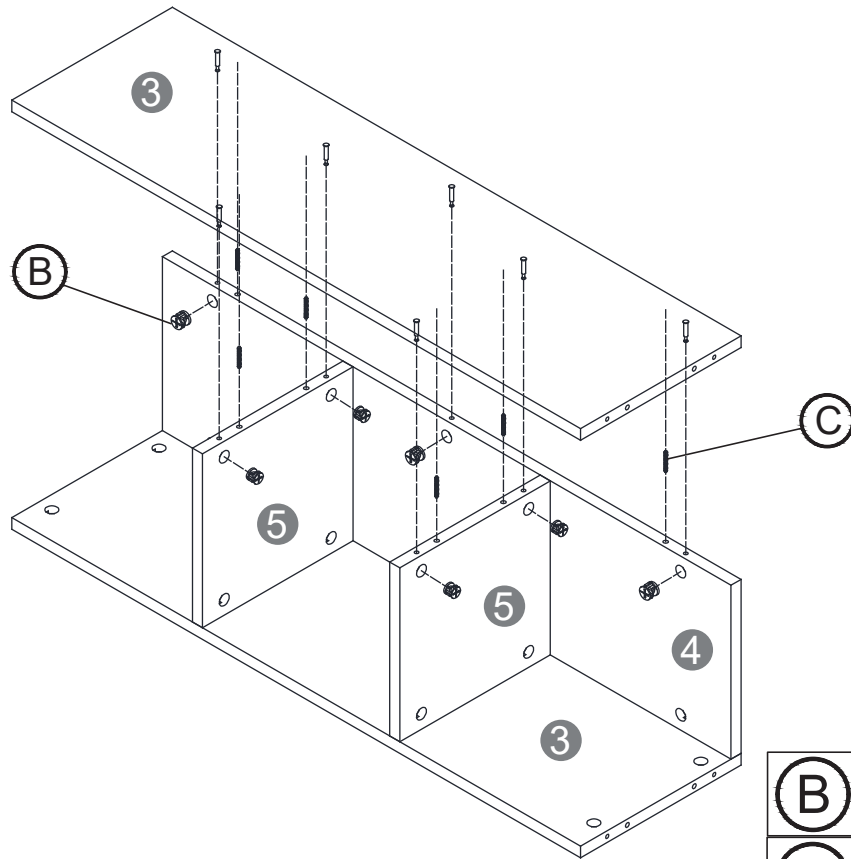
step 1:





step 2:

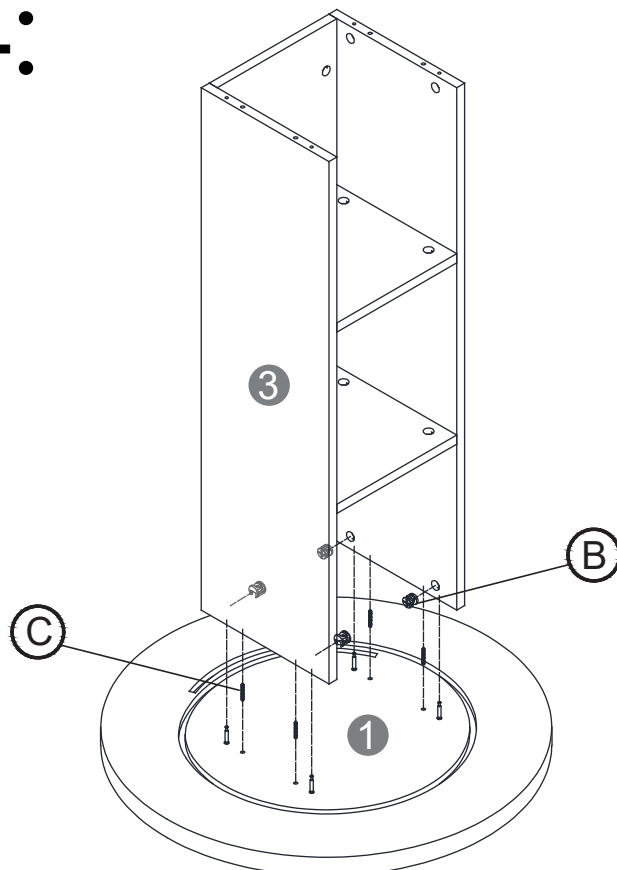




step3:



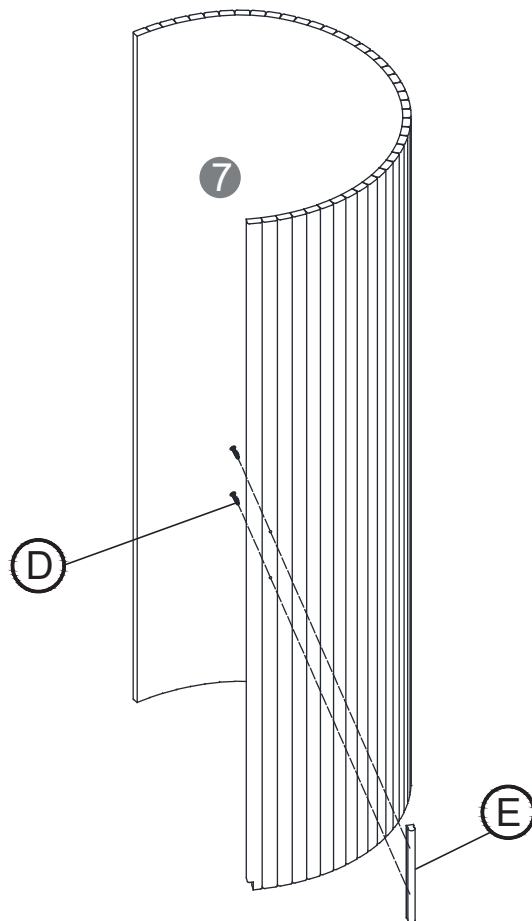
(B)		X 7
(C)		X 6



step4:



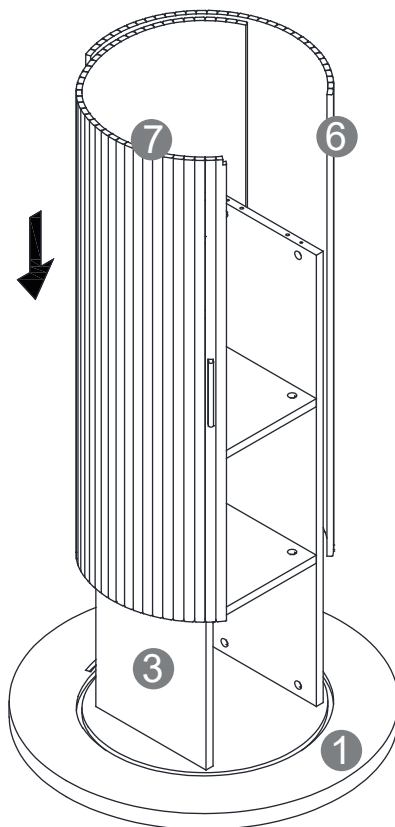
(B)		X 4
(C)		X 4

step5:

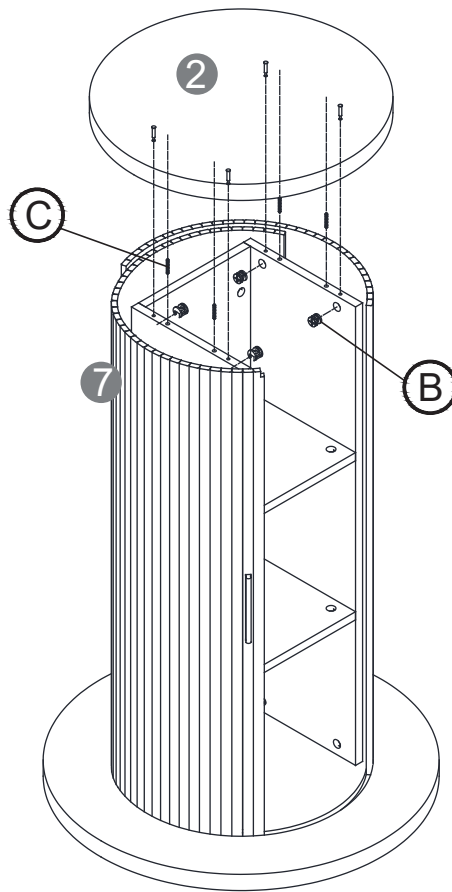


D		X 2
E		X 1

step6:

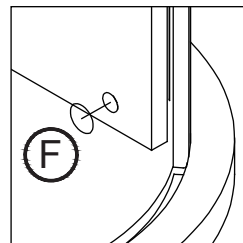
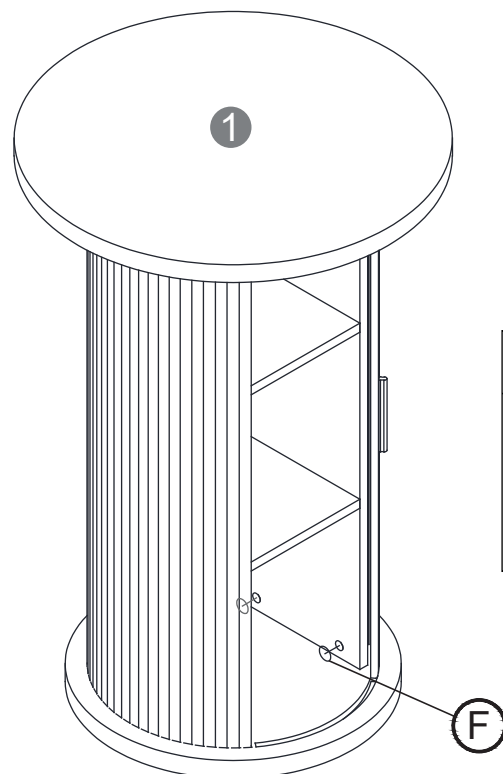


step 7:



(B)		X 4
(C)		X 4

step 8:



(F)		X 22
-----	--	------