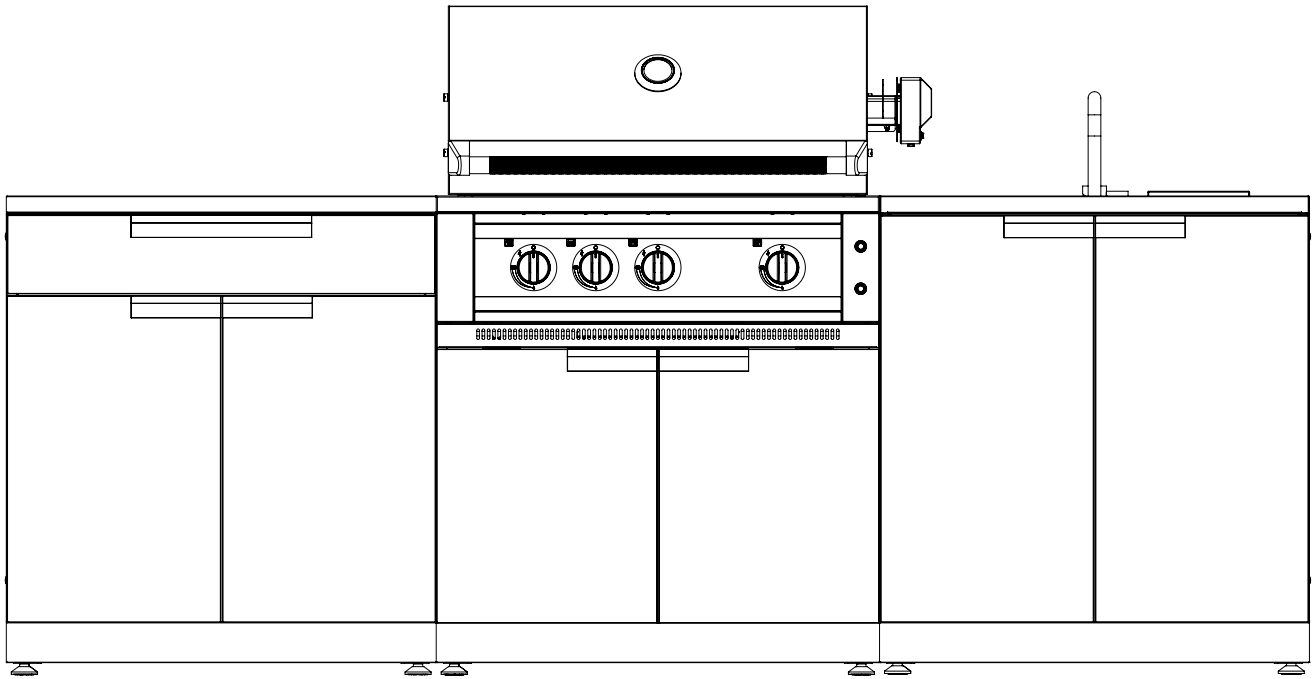


# Classic Outdoor Kitchen Cabinet Series

## MASTER INSTALLATION GUIDE



### **Warning: Excessive weight hazard!**



Use two or more people to move, assemble, or install Cabinet to avoid back injury. Do not leave children unattended near the cabinets. High risk of tipping if cabinets are installed incorrectly. For assistance, call 1.877.306.8930; e-mail at [info@newageproducts.com](mailto:info@newageproducts.com).



### **ATTENTION:**

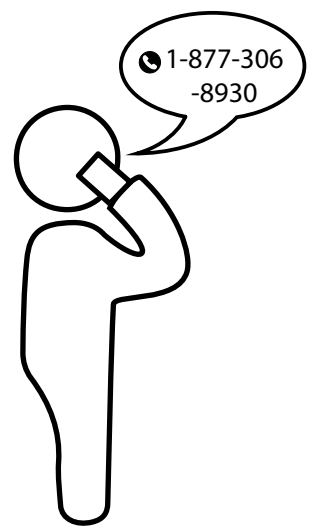
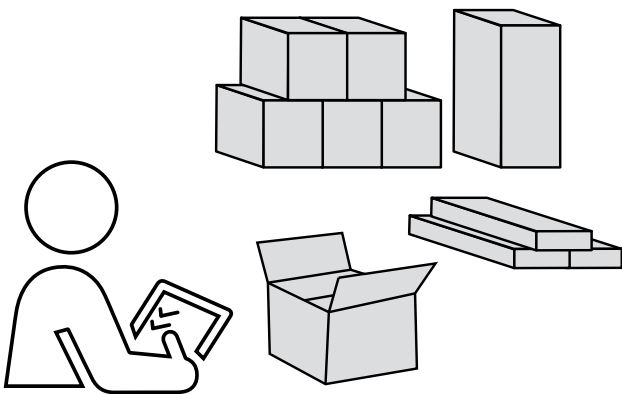
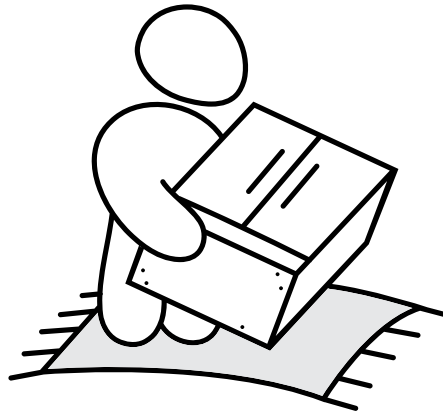
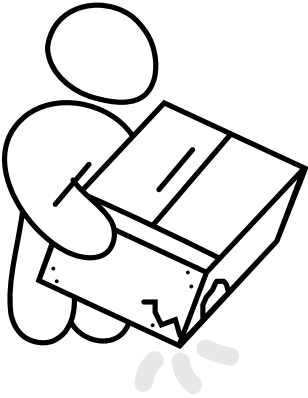
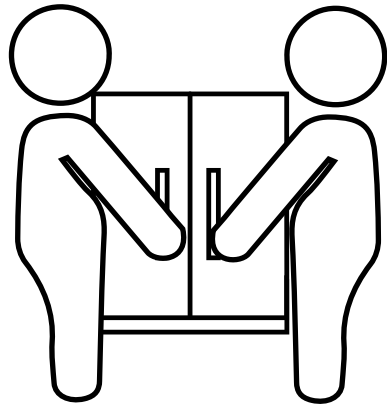
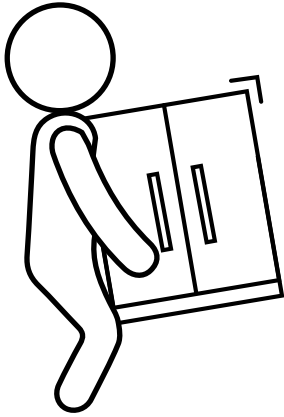
Is your Cabinet damaged?  
Need help or spare parts? For fastest service, contact NewAge Products at 1-877-306-8930; or [support@newageproducts.com](mailto:support@newageproducts.com).  
Do not return to the retailer.

# Index

---

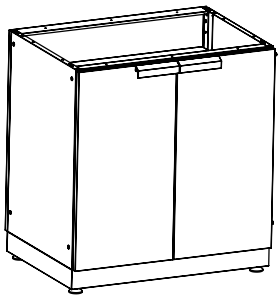
|  |    |
|--|----|
| <b>Unpacking</b>                               | 4  |
| <b>Product Inspection</b>                      | 4  |
| <b>Classic Stainless Steel Outdoor Kitchen</b> | 5  |
| <b>Classic Aluminum Outdoor Kitchen</b>        | 7  |
| <b>Weight Capacity</b>                         | 8  |
| <b>Tools Needed</b>                            | 9  |
| <b>Components For Assembled Cabinets</b>       | 10 |
| <b>Outdoor Area Preparation</b>                | 18 |
| <b>Installing Anti-Tipping Brackets</b>        | 21 |
| <b>Installing the Wall Cabinets</b>            | 23 |
| <b>Installing the Legs</b>                     | 25 |
| <b>Installing Casters</b>                      | 26 |
| <b>Installing the Handles</b>                  | 27 |
| <b>Installing/Removing the Drawers</b>         | 28 |
| <b>Preparing the Sink Cabinets</b>             | 29 |
| <b>Assembling the 90° Corner Cabinet</b>       | 32 |
| <b>Creating the 90° Corner</b>                 | 34 |
| <b>Creating the 45° Corner</b>                 | 36 |
| <b>Attaching the Cabinets</b>                  | 38 |
| <b>Adjusting the Door Hinges</b>               | 39 |
| <b>Installing the Fridge brackets</b>          | 41 |
| <b>Installing the Countertops</b>              | 42 |
| <b>Inserting Cabinet Shelves</b>               | 46 |
| <b>Installing NewAge Insert Grills</b>         | 47 |

|   |    |
|---|----|
| <b>Installing Custom BBQ Grills &amp; Filler Brackets</b> | 49 |
| <b>Installing NewAge Side Burner</b>                      | 50 |
| <b>Installing Propane Tank</b>                            | 51 |
| <b>Preparing the Kamado Cabinet</b>                       | 52 |
| <b>Installing the Kamado onto the Cabinet</b>             | 53 |
| <b>Installing the Faucet</b>                              | 54 |
| <b>Replacing the cartridge</b>                            | 55 |
| <b>Installing the Cabinet Covers</b>                      | 58 |
| <b>Care and Maintenance</b>                               | 64 |
| <b>Spare Parts</b>  | 66 |
| <b>MANUFACTURER WARRANTY</b>                              | 76 |

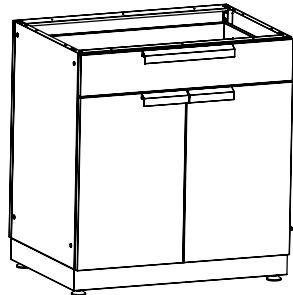


# The Classic Outdoor Kitchen Cabinets

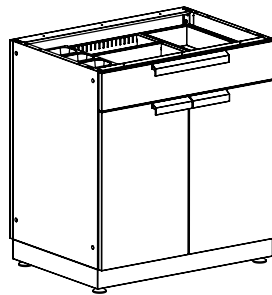
Classic Stainless Steel Outdoor Kitchen - Stainless Steel/Matte Black



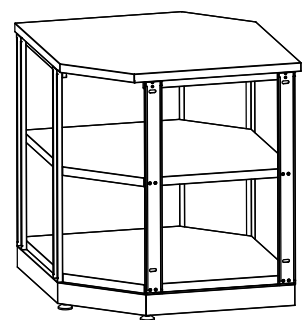
**32" 2-Door Cabinet**  
SKU# 65000 | SKU# 70001  
SKU# 70305



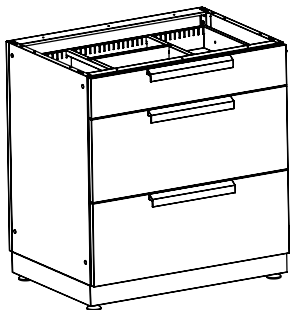
**32" 2-Door Split Cabinet**  
SKU# 65014 | SKU# 70004  
SKU# 70308



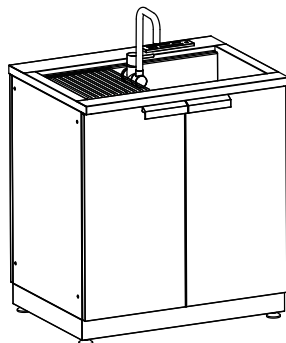
**32" Bar Cabinet**  
SKU# 65003 | SKU# 70005  
SKU# 70309



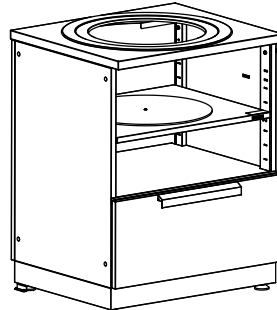
**90° Corner Shelf**  
SKU# 65006 | SKU# 70301



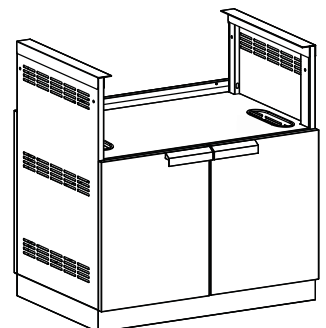
**32" 3 Drawer**  
SKU# 65002 | SKU# 70003  
SKU# 70307



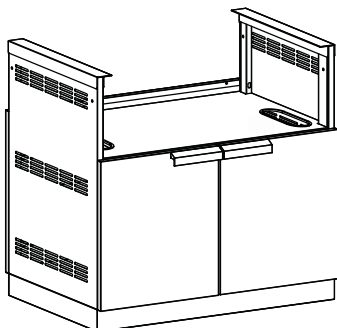
**32" Sink Cabinet**  
SKU# 65001 | SKU# 70002  
SKU# 70306



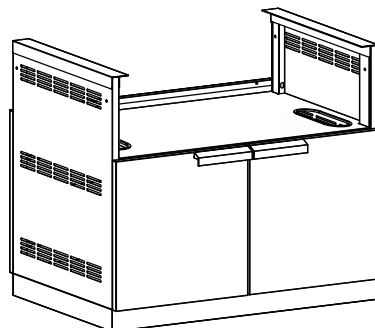
**28" Kamado Cabinet**  
SKU# 65010 | SKU# 70006  
SKU# 70310



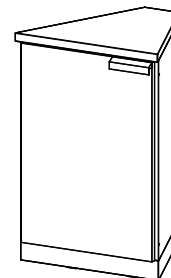
**33" Insert Grill Cabinet**  
SKU# 65047 | SKU# 70007  
SKU# 70311



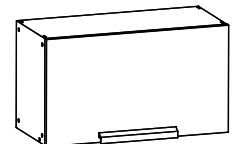
**36" Insert Grill Cabinet**  
SKU# 65048 | SKU# 70008  
SKU# 70312



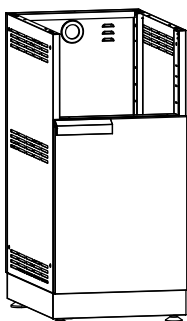
**40" Insert Grill Cabinet**  
SKU# 65049 | SKU# 70009  
SKU# 70313



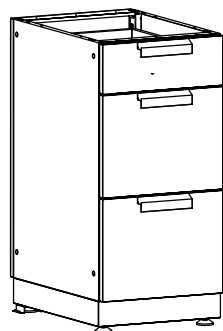
**45° Corner Cabinet**  
SKU# 65005 | SKU# 70302



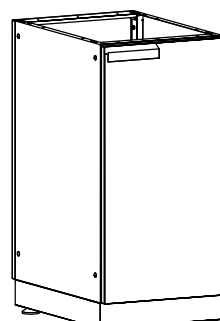
**32" Wall Cabinet**  
SKU# 65013 | SKU# 70303



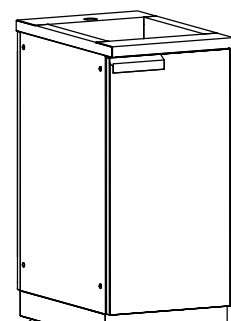
**16" DSB Cabinet**  
SKU# 65012 | SKU# 70000  
SKU# 70304



**16" 3 Drawer Cabinet**  
SKU# 65623

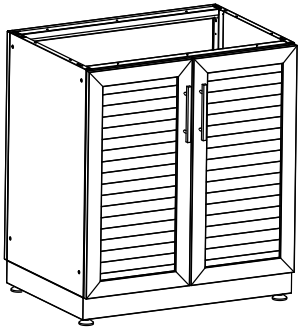


**16" 1-Door Cabinet**  
SKU# 65621

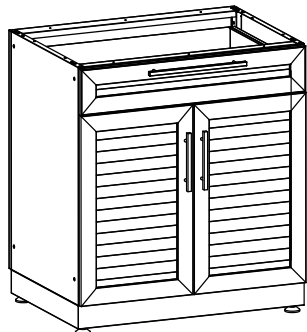


**16" Sink Cabinet**  
SKU# 65622

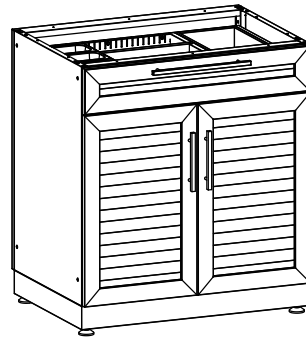
# Classic Stainless Steel Outdoor Kitchen - Grove/White



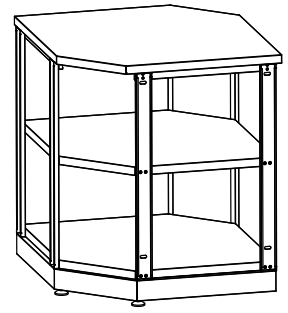
**32" 2-Door Cabinet**  
SKU# 65600 | SKU# 70101  
SKU# 70405



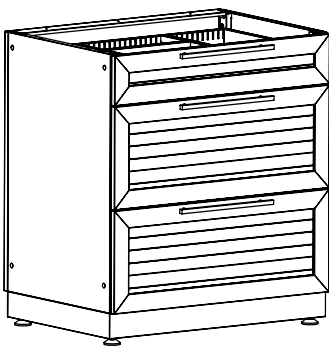
**32" 2-Door Split Cabinet**  
SKU# 65614 | SKU# 70104  
SKU# 70408



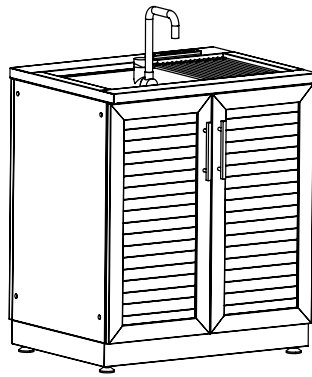
**32" Bar Cabinet**  
SKU# 65603 | SKU# 70105  
SKU# 70409



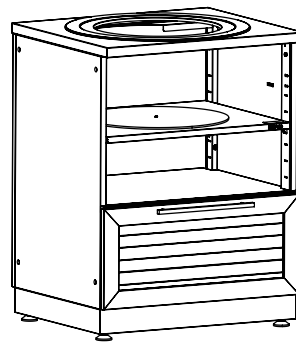
**90° Corner Shelf**  
SKU# 65606



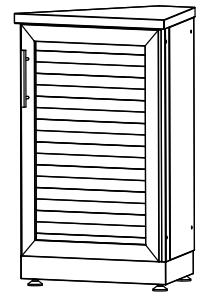
**32" 3 Drawer Cabinet**  
SKU# 65602 | SKU# 70103  
SKU# 70407



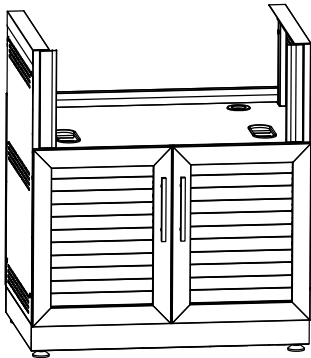
**32" Sink Cabinet**  
SKU# 65601 | SKU# 70102  
SKU# 70406



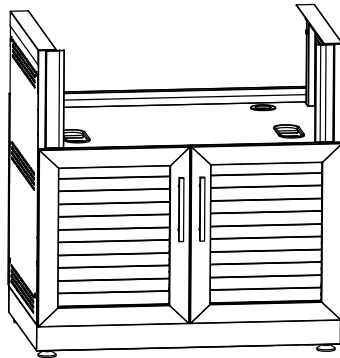
**28" Kamado Cabinet**  
SKU# 65610 | SKU# 70106  
SKU# 70410



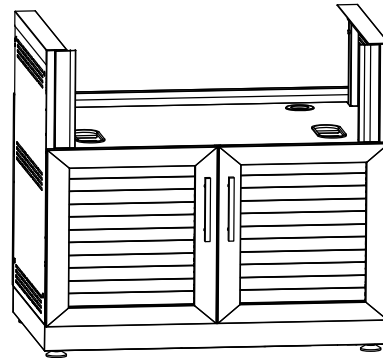
**45° Corner Cabinet**  
SKU# 65605 | SKU# 70402



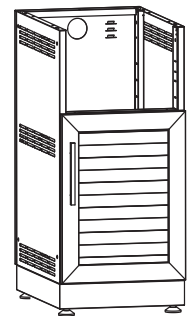
**33" Insert Grill Cabinet**  
SKU# 65630 | SKU# 70108  
SKU# 70412



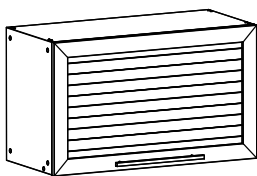
**36" Insert Grill Cabinet**  
SKU# 65631 | SKU# 70107  
SKU# 70411



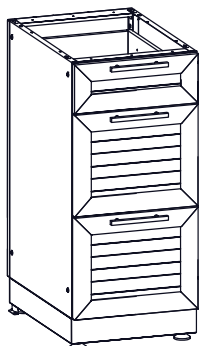
**40" Insert Grill Cabinet**  
SKU# 65632 | SKU# 70109  
SKU# 70413



**16" DSB Cabinet**  
SKU# 65612 | SKU# 70100  
SKU# 70404



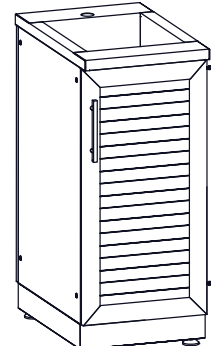
**32" Wall Cabinet**  
SKU# 65613 | SKU# 70403



**16" 3 Drawer Cabinet**  
SKU# 65626

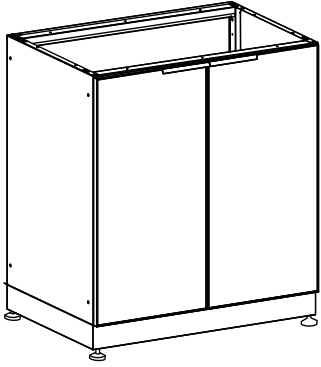


**16" 1-Door Cabinet**  
SKU# 65624

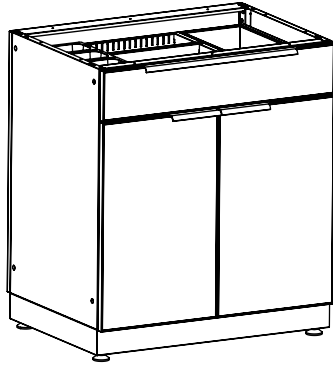


**16" Sink Cabinet**  
SKU# 65625

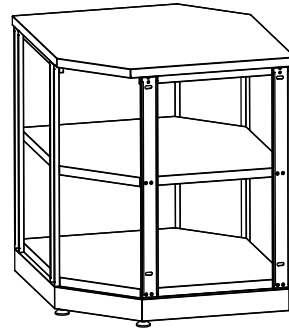
# Classic Aluminum Outdoor Kitchen - Slate Gray/Black



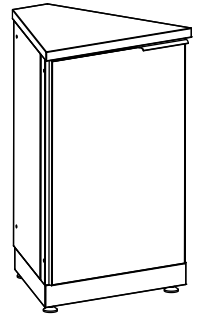
**32" 2-Door Cabinet**  
SKU# 65200 | SKU# 70201  
SKU# 70505



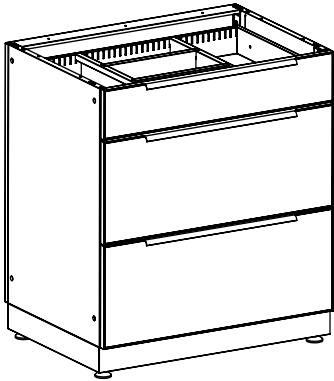
**32" Bar Cabinet**  
SKU# 65203 | SKU# 70204  
SKU# 70508



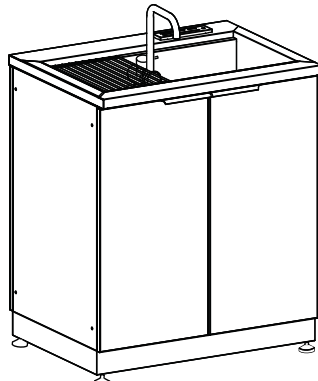
**90° Corner Shelf**  
SKU# 65206



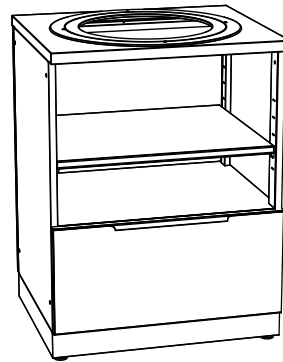
**45° Corner Cabinet**  
SKU# 65205 | SKU# 70502



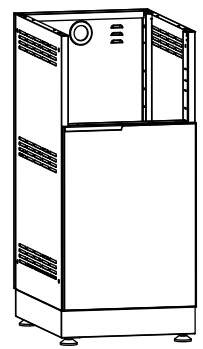
**32" 3 Drawer Cabinet**  
SKU# 65202 | SKU# 70203  
SKU# 70507



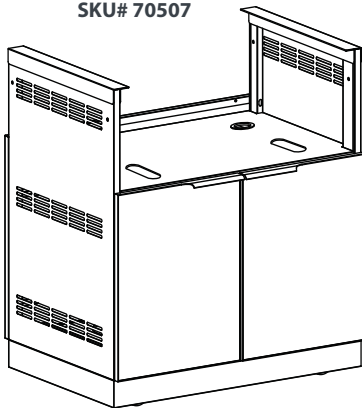
**32" Sink Cabinet**  
SKU# 65201 | SKU# 70202  
SKU# 70506



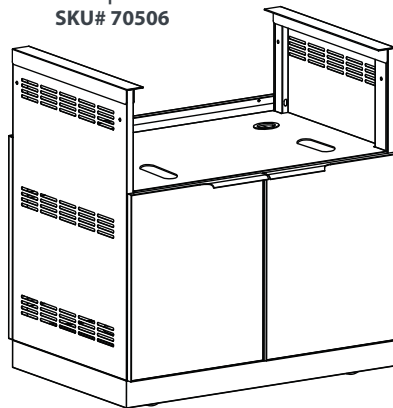
**28" Kamado Cabinet**  
SKU# 65210 | SKU# 70205  
SKU# 70509



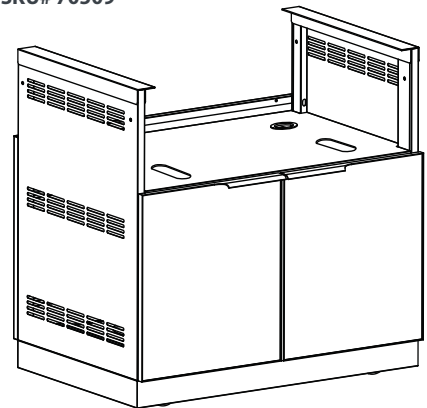
**16" DSB Cabinet**  
SKU# 65212 | SKU# 70200  
SKU# 70504



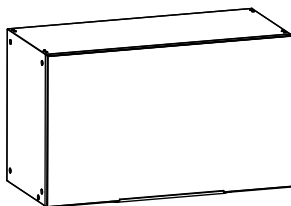
**33" Insert Grill Cabinet**  
SKU# 65230 | SKU# 70208  
SKU# 70512



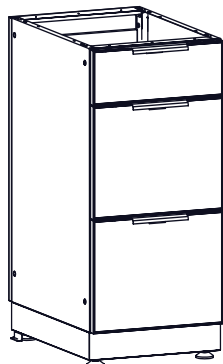
**36" Insert Grill Cabinet**  
SKU# 65231 | SKU# 70206  
SKU# 70510



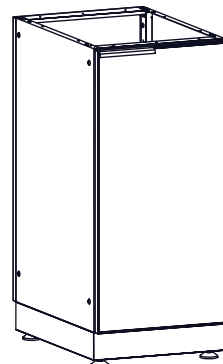
**40" Insert Grill Cabinet**  
SKU# 65232 | SKU# 70207  
SKU# 70511



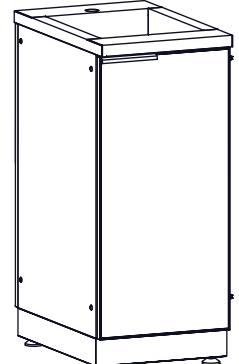
**32" Wall Cabinet**  
SKU# 65213 | SKU# 70503



**16" 3 Drawer Cabinet**  
SKU# 65629

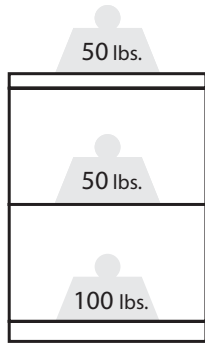


**16" 1-Door Cabinet**  
SKU# 65627

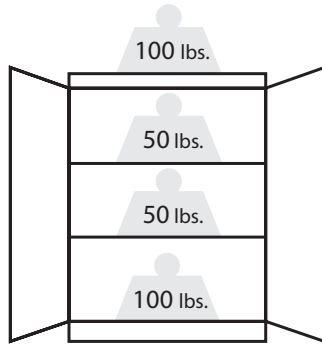


**16" Sink Cabinet**  
SKU# 65628

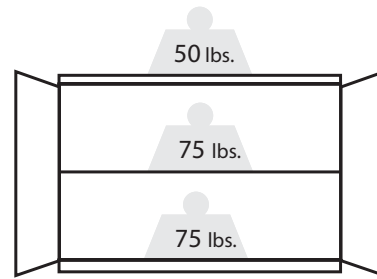
# Weight Capacity



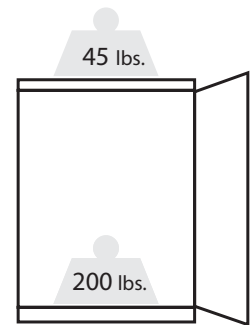
90° Corner Shelf  
Max 200 lbs.



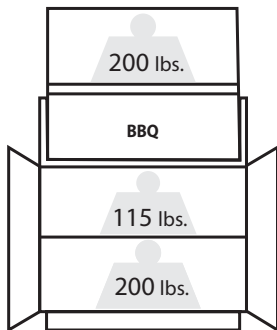
45° Cabinet  
Max 300 lbs.



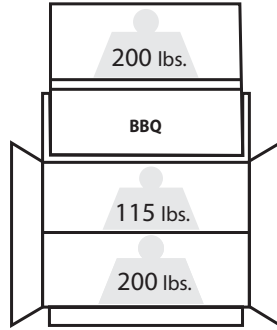
32" - Wall Cabinet  
Max 200 lbs.



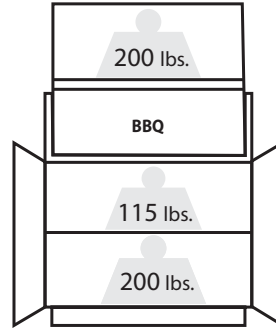
16" - DSB Cabinet  
Max 245 lbs.



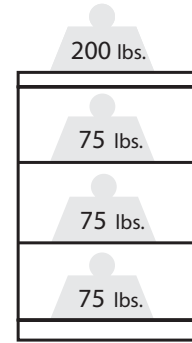
33" - BBQ  
Max 515 lbs.



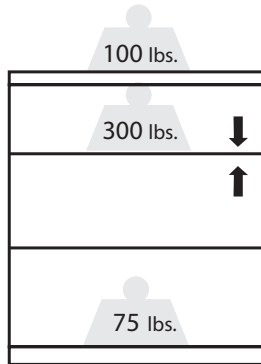
36" - BBQ  
Max 515 lbs.



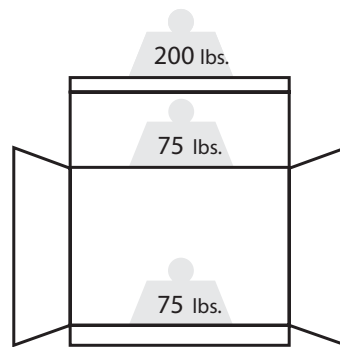
40" - BBQ  
Max 515 lbs.



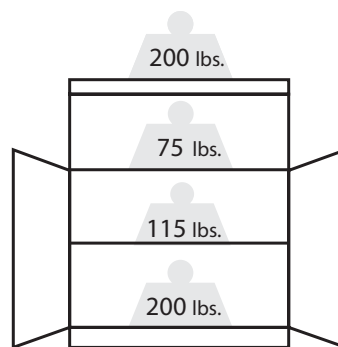
16" - 3 Drawer Cabinet  
Max 425 lbs.



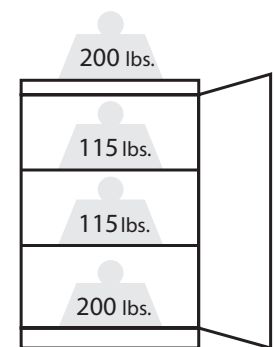
28" KAMADO Cabinet  
Max 475lbs.



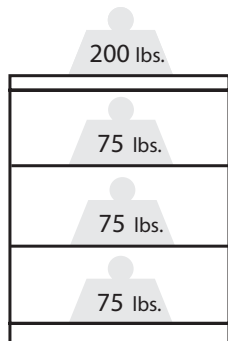
32" - Bar Cabinet  
Max 350 lbs.



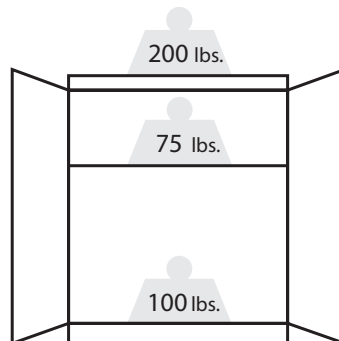
32" - 2 Door Split Cabinet  
Max 590 lbs.



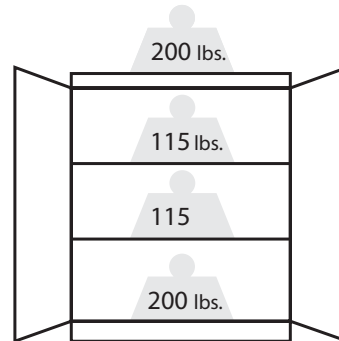
16" - 1 Door Cabinet  
Max 630 lbs.



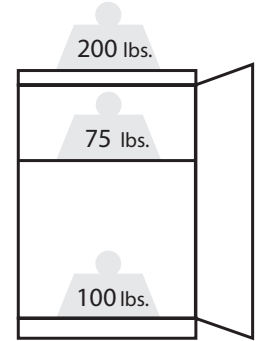
32" - 3 Drawer Cabinet  
Max 425 lbs.



32" - Sink Cabinet  
Max 375 lbs.



32" - 2 Door Cabinet  
Max 630 lbs.

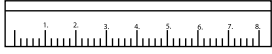


16" - Sink Cabinet  
Max 375 lbs.

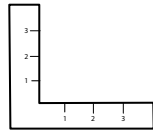
## WARNING

All cabinets will have a total weight capacity of 250lbs, not including the weight of the cabinet itself, when installed with casters.

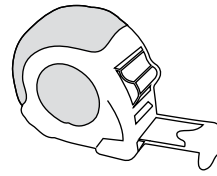
# Tools Needed



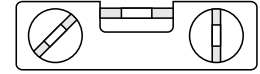
Straight Edge



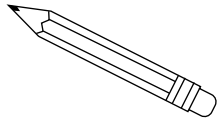
Set Square



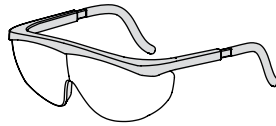
Tape Measure



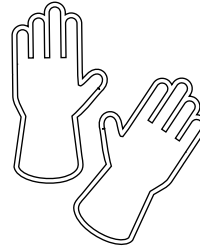
Magnetic Levelers  
(Small and Large)



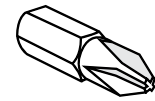
Pencil



Safety Glasses



Hand Gloves



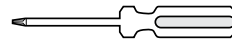
Phillips Bit



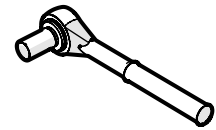
Adjustable wrench



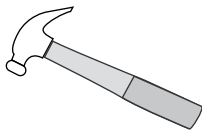
Socket driver wrench



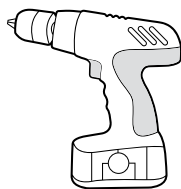
Phillips head screw driver



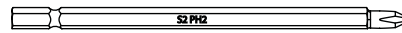
Socket wrench



Hammer



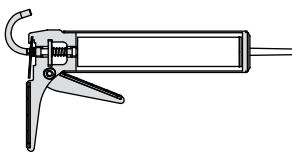
Cordless Power Drill



PHILLIPS #2  
6" Extension Bit



7/16" socket



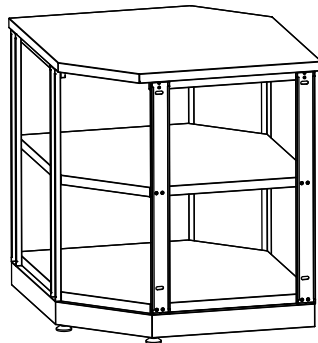
Caulking Gun



100% Silicone  
(Mildew Resistant)

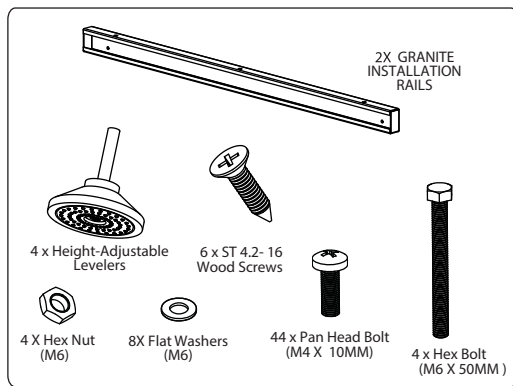
# Components For Assembled Cabinets

## 90° Corner Cabinet



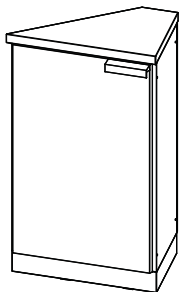
### 90° Corner Shelf

- SKU# 65006
- SKU# 65606
- SKU# 65206
- SKU# 70301

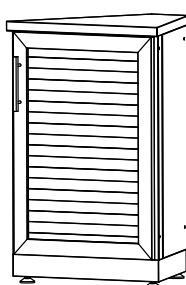


| Components  | Function                                       | Engg part No       | Qty |
|---|--|--------------------|-----|
| Cabinet Frame                                     | -  |                    | 1   |
| Hex Head Bolt (M6 X 50)                           | Connecting Cabinets                            | H00198A-01         | 4   |
| Flat Washer (M6)                                  | Connecting Cabinets                            | H00199A-01         | 8   |
| Hex Nut (M6)                                      | Connecting Cabinets                            | H00200A-01         | 4   |
| Height-Adjustable Levelers                        | -  | H00196A-01         | 4   |
| Cabinet Shelf                                     | -  | OKC1-02.004.01A-01 | 1   |
| Pan Head Bolt (M4 X 10MM)                         | Connecting SS Countertop and vertical supports | H00204A-01         | 44  |
| <b>Included Granite Top Installation Hardware</b> |  |                    |     |
| Granite Installation Rails                        | -  | OKC1-02.005A-01    | 2   |
| Pan Head Screw (ST 4.2-16MM Wood Screw)           | -  | H00400A-01         | 6   |

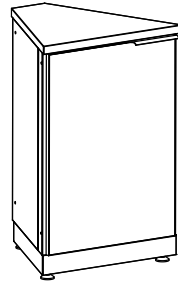
## 45° Corner Cabinet



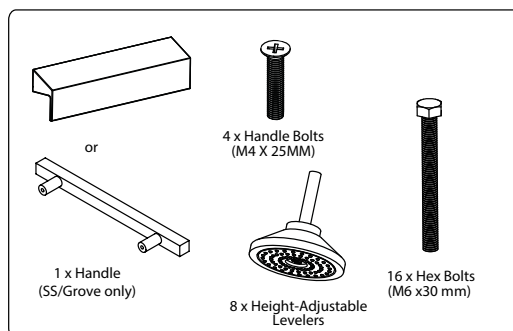
SKU# 65005  
SKU# 70302



SKU# 65605  
SKU# 70402



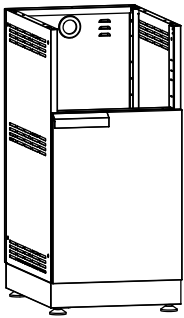
SKU# 65205  
SKU# 70502



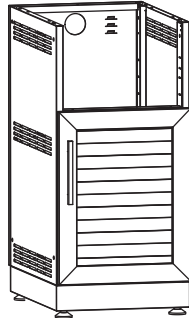
| Components                                  | Function            | Engg part No  | Qty |
|---|---------------------|---|-----|
| Cabinet Frame + Door                        | -                   |   | 2   |
| Hex Head Bolt (M6 X 30)                     | Connecting Cabinets | H00465A-01  | 16  |
| Height-Adjustable Levelers                  | -                   | H00196A-01  | 8   |
| Cabinet Shelf                               | -                   | OKC1-03.002.06A-01  | 4   |
| Handle                                      | -                   | SS : OKC1-03.003.04A-01<br>Grove : OKC1-19.003A-01<br>Alum : NA | 2   |
| Head Bolt (M4 x 25mm) (For SS & Grove only) | Connecting Handles  | H00467A-01  | 4   |

# Components For Assembled Cabinets

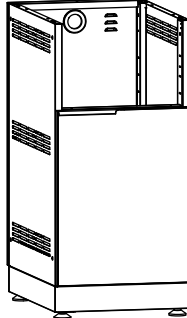
## 16" Dual Side Burner Cabinet



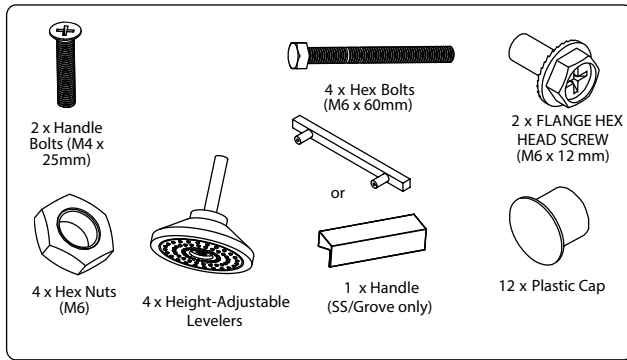
SKU# 65012  
SKU# 70000  
SKU# 70304



SKU# 65612  
SKU# 70100  
SKU# 70404

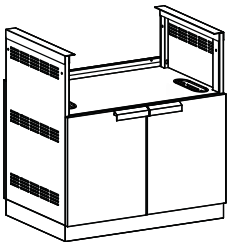


SKU# 65212  
SKU# 70200  
SKU# 70504

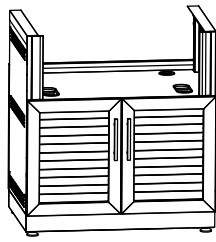


| Components   | Function            | Engg part No  | Qty |
|--|---------------------|---|-----|
| Cabinet Frame + Door                                 | -                   |   | 1   |
| Hex Head Bolt (M6 X 60)                              | Connecting Cabinets | H00402A-01  | 4   |
| Hex Nut (M6)   | Connecting Cabinets | H00200A-01  | 4   |
| Height-Adjustable Levelers                           | -                   | H00196A-01  | 4   |
| Handle   | -                   | SS : OKC1-03.003.04A-01<br>Grove : OKC1-19.003A-01<br>Alum : NA | 1   |
| OKC 1.0 Plastic Cap                                  | -                   | H00210A-01  | 12  |
| M6x12 Serrated-Flange Hex Head Screw                 | -                   | H00532A-01  | 2   |
| Rubber grommet                                       | -                   | H00220A-01  | 1   |
| Head Bolt (M4 x 25mm) (For SS & Grove Cabinets only) | Connecting Handles  | H00467A-01  | 2   |

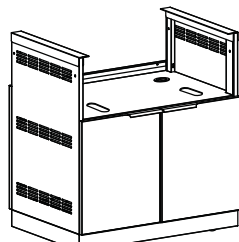
## 33" Insert Grill Cabinet



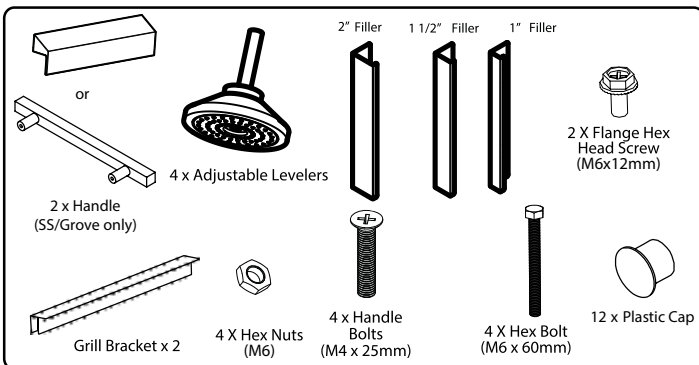
SKU# 65047  
SKU# 70311



SKU# 65630  
SKU# 70412



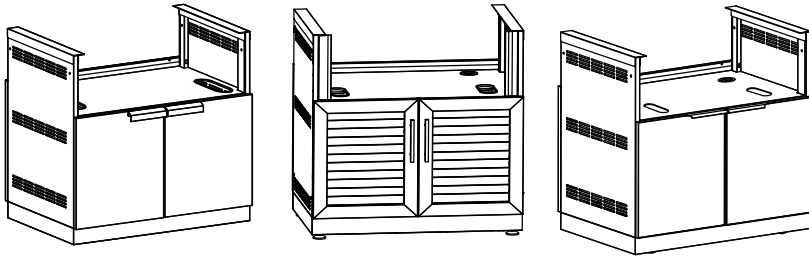
SKU# 65230  
SKU# 70512



| Components   | Function            | Engg part No  | Qty |
|--|---------------------|---|-----|
| Cabinet Frame + Door                                 | -                   |   | 1   |
| Hex Head Bolt (M6 X 60)                              | Connecting Cabinets | H00402A-01  | 4   |
| Hex Nut (M6)   | Connecting Cabinets | H00200A-01  | 4   |
| Height-Adjustable Levelers                           | -                   | H00196A-01  | 4   |
| Handle   | -                   | SS : OKC1-03.003.04A-01<br>Grove : OKC1-19.003A-01<br>Alum : NA | 2   |
| Head Bolt (M4 x 25mm) (For SS & Grove Cabinets only) | Connecting Handles  | H00467A-01  | 4   |
| Grill Bracket  | -                   | OKC1-04.010A-01   | 2   |
| Grill Inside Bracket                                 | -                   | OKC1-04.011A-01   | 2   |
| Hex Bolt M6 x 12mm                                   | Connecting Cabinets | H00201A-01  | 4   |
| OKC 1.0 Plastic Cap                                  | -                   | H00210A-01  | 12  |
| M6x12 Serrated-Flange Hex Head Screw                 | -                   | H00532A-01  | 2   |
| Filler Brackets                                      | -                   | OKC1-04.013A-01<br>OKC1-04.014A-01<br>OKC1-04.015A-01           | 6   |

# Components For Assembled Cabinets

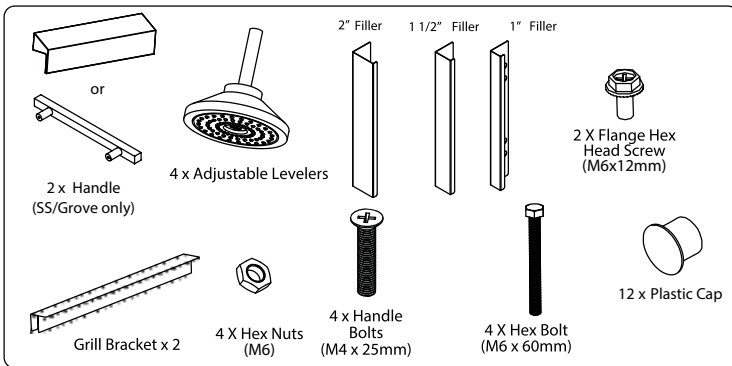
## 36" Insert Grill Cabinet



SKU# 65048  
SKU# 70008  
SKU# 70312

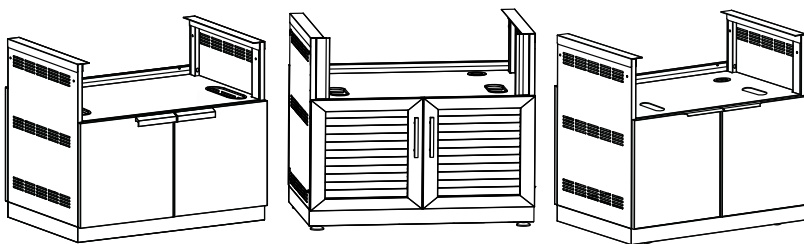
SKU# 65631  
SKU# 70107  
SKU# 70411

SKU# 65231  
SKU# 70206  
SKU# 70510



| Components   | Function            | Engg part No  | Qty |
|--|---------------------|---|-----|
| Cabinet Frame + Door                                 | -                   |   | 1   |
| Hex Head Bolt (M6 X 60)                              | Connecting Cabinets | H00402A-01  | 4   |
| Hex Nut (M6)   | Connecting Cabinets | H00200A-01  | 4   |
| Height-Adjustable Levelers                           | -                   | H00196A-01  | 4   |
| Handle   | -                   | SS : OKC1-03.003.04A-01<br>Grove : OKC1-19.003A-01<br>Alum : NA | 2   |
| Head Bolt (M4 x 25mm) (For SS & Grove Cabinets only) | Connecting Cabinets | H00467A-01  | 4   |
| Grill Bracket  | -                   | OKC1-04.010A-01   | 2   |
| Grill Inside Bracket                                 | -                   | OKC1-04.011A-01   | 2   |
| Hex Bolt M6 x 12mm                                   | Connecting Handles  | H00201A-01  | 4   |
| OKC 1.0 Plastic Cap                                  | -                   | H00210A-01  | 12  |
| M6x12 Serrated-Flange Hex Head Screw                 | -                   | H00532A-01  | 2   |
| Filler Brackets                                      | -                   | OKC1-04.013A-01<br>OKC1-04.014A-01<br>OKC1-04.015A-01           | 6   |

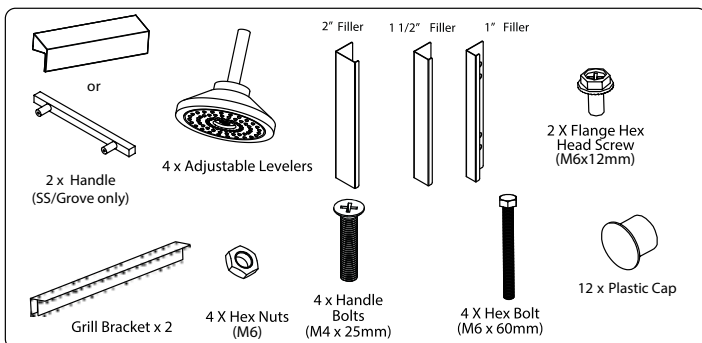
## 40" Insert Grill Cabinet



SKU# 65049  
SKU# 70009  
SKU# 70313

SKU# 65632  
SKU# 70109  
SKU# 70413

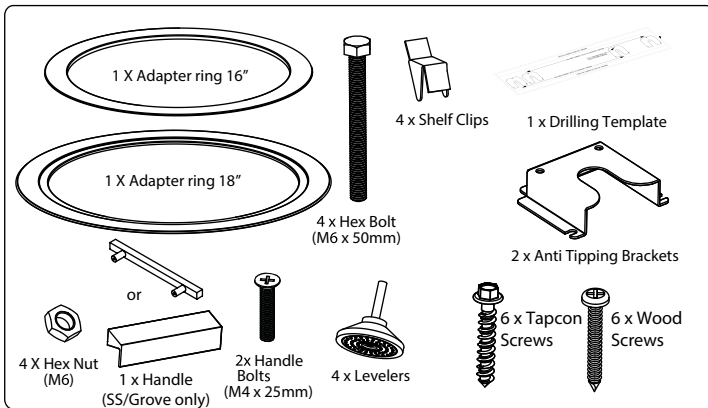
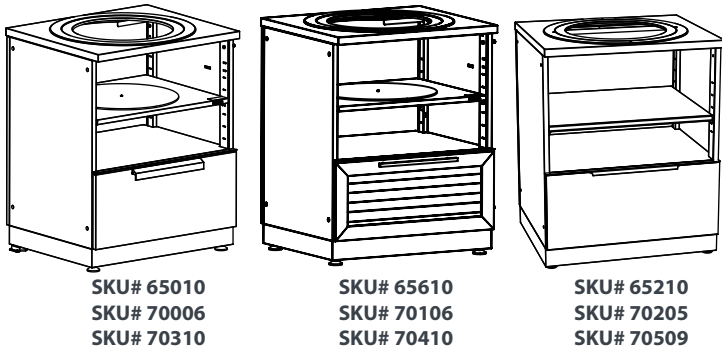
SKU# 65232  
SKU# 70207  
SKU# 70511



| Components   | Function            | Engg part No  | Qty |
|--|---------------------|---|-----|
| Cabinet Frame + Door                                 | -                   |   | 1   |
| Hex Head Bolt (M6 X 60)                              | Connecting Cabinets | H00402A-01  | 4   |
| Hex Nut (M6)   | Connecting Cabinets | H00200A-01  | 4   |
| Height-Adjustable Levelers                           | -                   | H00196A-01  | 4   |
| Handle   | -                   | SS : OKC1-03.003.04A-01<br>Grove : OKC1-19.003A-01<br>Alum : NA | 2   |
| Head Bolt (M4 x 25mm) (For SS & Grove Cabinets only) | Connecting Handles  | H00467A-01  | 4   |
| Grill Bracket  | -                   | OKC1-04.010A-01   | 2   |
| Grill Inside Bracket                                 | -                   | OKC1-04.011A-01   | 2   |
| Hex Bolt M6 x 12mm                                   | Connecting Cabinets | H00201A-01  | 4   |
| OKC 1.0 Plastic Cap                                  | -                   | H00210A-01  | 12  |
| Filler Brackets                                      | -                   | OKC1-04.013A-01<br>OKC1-04.014A-01<br>OKC1-04.015A-01           | 6   |

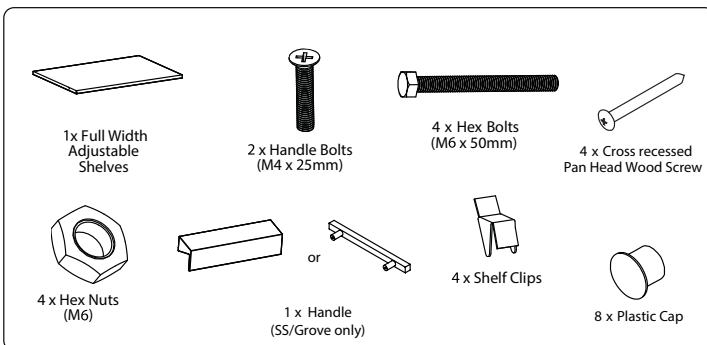
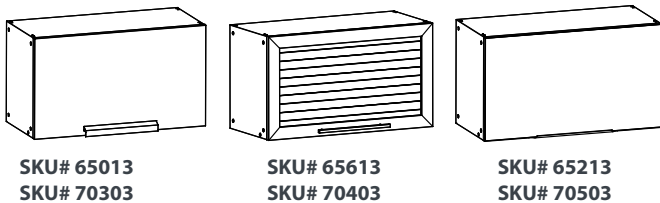
# Components For Assembled Cabinets

## 28" Kamado Cabinet



| Components                                  | Function                  | Engg part No   | Qty |
|---|---------------------------|--|-----|
| Cabinet Frame + Door                        | -                         |  | 1   |
| Hex Head Bolt (M6 X 50)                     | Connecting Cabinets       | H00198A-01   | 4   |
| Hex Nut (M6)                                | Connecting Cabinets       | H00200A-01   | 4   |
| Height-Adjustable Levelers                  | -                         | H00196A-01   | 4   |
| Handle                                      | -                         | SS : OKC1-09.004A-01<br>Grove : OKC1-25.003A-01<br>Alum : NA | 1   |
| Head Bolt (M4 x 25mm) (For SS & Grove only) | Connecting Handles        | H00467A-01   | 2   |
| Shelf Clips                                 | For Shelves               | OKC1-07.007A-01  | 4   |
| Shelf                                       | -                         | OKC1-12.004.01A-01   | 1   |
| Adapter Ring 18" Diameter                   | -                         | OKC1-12.009A-01  | 1   |
| Adapter Ring 16" Diameter                   | -                         | OKC1-12.008A-01  | 1   |
| Drilling Template                           |                           | OKC1-09.007A-01  | 1   |
| Wood Screws                                 | For Anti-Tipping Brackets | H00232A-01   | 6   |
| Tapcon Screws                               | For Anti-Tipping Brackets | H00231A-01   | 6   |
| Anti-Tipping Brackets                       | For Anti-Tipping Brackets | OKC1-09.006A-01  | 2   |
| OKC 1.0 Plastic Cap                         | -                         | H00210A-01   | 8   |

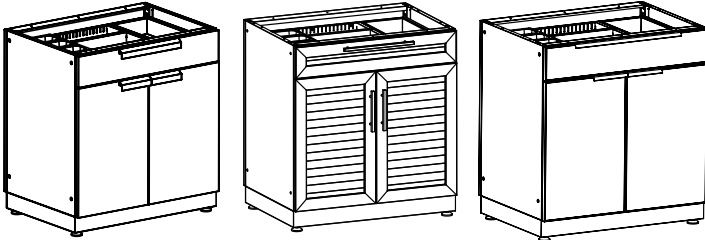
## 32" Wall Cabinet



| Components                                    | Function            | Engg part No   | Qty |
|---|---------------------|--|-----|
| Cabinet Frame + Door                          | -                   |  | 1   |
| Hex Head Bolt (M6 X 50)                       | Connecting Cabinets | H00198A-01   | 4   |
| Hex Nut (M6)                                  | Connecting Cabinets | H00200A-01   | 4   |
| Handle  | -                   | SS : OKC1-09.004A-01<br>Grove : OKC1-25.003A-01<br>Alum : NA | 1   |
| Head Bolt (M4 x 25mm) (For SS & Grove only)   | Connecting Handles  | H00467A-01   | 2   |
| Shelf Clips                                   | For Shelves         | OKC1-07.007A-01  | 4   |
| Shelf   | -                   | OKC1-13.004.01A-01   | 1   |
| 0.25IDx0.75OD Washer                          | -                   | H00253A-01   | 4   |
| OKC 1.0 Plastic Cap                           | -                   | H00210A-01   | 8   |
| 0.25x2.5in Cross Recessed Pan Head Wood Screw | -                   | H00247A-01   | 4   |

# Components For Assembled Cabinets

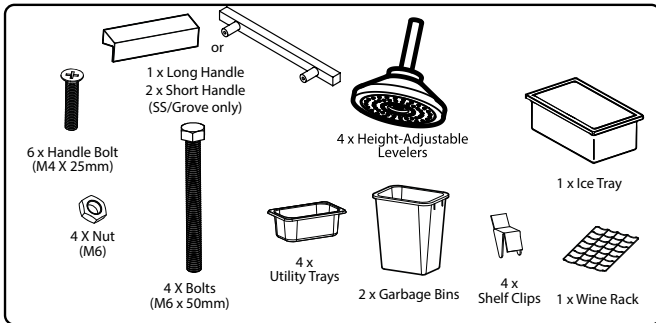
## 32" Bar Cabinet



SKU# 65003  
SKU# 70005  
SKU# 70309

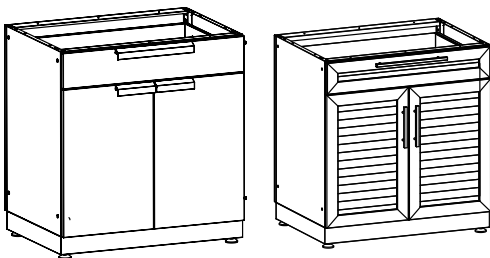
SKU# 65603  
SKU# 70105  
SKU# 70409

SKU# 65203  
SKU# 70204  
SKU# 70508



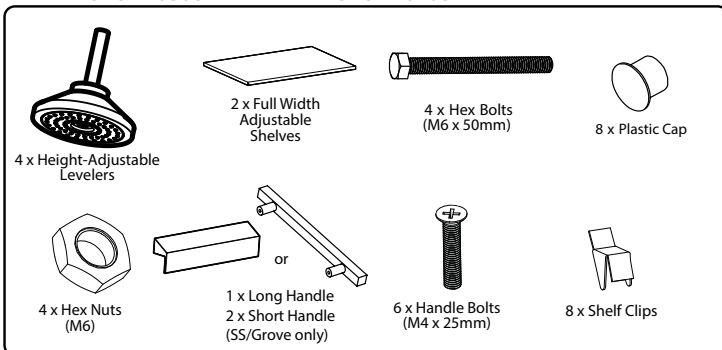
| Components                                     | Function            | Engg Part No  | Qty |
|--|---------------------|---|-----|
| Cabinet Frame + Door                           | -                   |   | 1   |
| Hex Head Bolt (M6 X 50)                        | Connecting Cabinets | H00198A-01  | 4   |
| Hex Nut (M6)                                   | Connecting Cabinets | H00200A-01  | 4   |
| Height-Adjustable Levelers                     | -                   | H00196A-01  | 4   |
| Short Handle                                   | -                   | SS : OKC1-03.003.04A-01<br>Grove : OKC1-19.003A-01<br>Alum : NA | 2   |
| Long Handle                                    | -                   | SS : OKC1-09.004A-01<br>Grove : OKC1-25.003A-01<br>Alum : NA    | 1   |
| Head Bolt (M4 x 25mm)<br>(For SS & Grove only) | Connecting Handles  | H00467A-01  | 6   |
| Shelf Clips                                    | For Shelves         | OKC1-07.007A-01   | 4   |
| Shelf  | -                   | OKC1-11.005A-01   | 1   |
| Wine Rack                                      | -                   | OKC1-11.010A-01   | 1   |
| Ice Tray                                       | -                   | OKC1-11.011A-01   | 1   |
| Utility Trays                                  | -                   | H00242A-01  | 4   |
| Garbage Bins                                   | -                   | H00241A-01  | 2   |
| OKC 1.0 Plastic Cap                            | -                   | H00210A-01  | 8   |

## 32" 2 - Door Split Cabinet



SKU# 65014  
SKU# 70004  
SKU# 70308

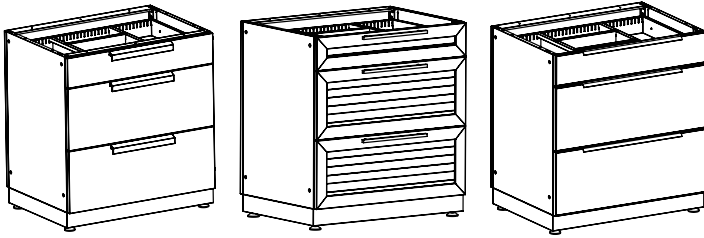
SKU# 65614  
SKU# 70104  
SKU# 70408



| Components                                     | Function            | Engg part No                                       | Qty |
|--|---------------------|--|-----|
| Cabinet Frame + Door                           | -                   |  | 1   |
| Hex Head Bolt (M6 X 50)                        | Connecting Cabinets | H00198A-01   | 4   |
| Hex Nut (M6)                                   | Connecting Cabinets | H00200A-01   | 4   |
| Height-Adjustable Levelers                     | -                   | H00196A-01   | 4   |
| Short Handle                                   | -                   | SS : OKC1-03.003.04A-01<br>Grove : OKC1-19.003A-01 | 2   |
| Long Handle                                    | -                   | SS : OKC1-09.004A-01<br>Grove : OKC1-25.003A-01    | 1   |
| Head Bolt (M4 x 25mm)<br>(For SS & Grove only) | Connecting Handles  | H00467A-01   | 6   |
| Shelf Clips                                    | For Shelves         | OKC1-07.007A-01                                    | 8   |
| Shelf  | -                   | OKC1-07.006A-01                                    | 2   |
| OKC 1.0 Plastic Cap                            | -                   | H00210A-01   | 8   |

# Components For Assembled Cabinets

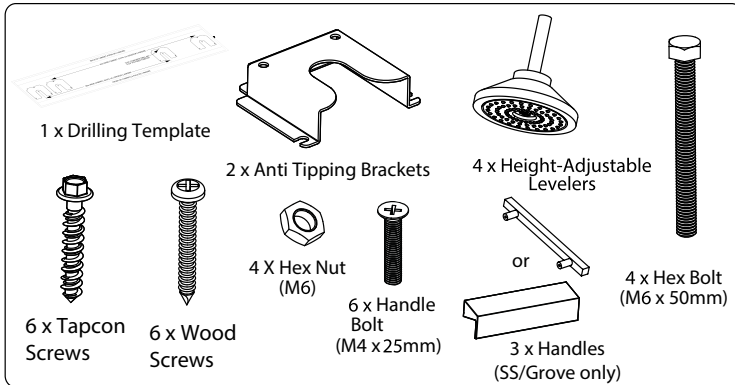
## 32" 3 - Drawer Cabinet



SKU# 65002  
SKU# 70003  
SKU# 70307

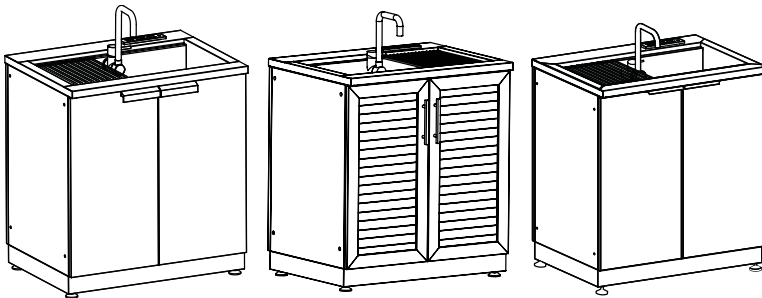
SKU# 65602  
SKU# 70103  
SKU# 70407

SKU# 65202  
SKU# 70203  
SKU# 70507



| Components                                  | Function                  | Engg part No   | Qty |
|---|---------------------------|--|-----|
| Cabinet Frame + Door                        | -                         |  | 1   |
| Hex Head Bolt (M6 X 50)                     | Connecting Cabinets       | H00198A-01   | 4   |
| Hex Nut (M6)                                | Connecting Cabinets       | H00200A-01   | 4   |
| Height-Adjustable Levelers                  | -                         | H00196A-01   | 4   |
| Handle                                      | -                         | SS : OKC1-09.004A-01<br>Grove : OKC1-25.003A-01<br>Alum : NA | 3   |
| Head Bolt (M4 x 25mm) (For SS & Grove only) | Connecting Handles        | H00467A-01   | 6   |
| Drilling Template                           | For Anti-Tipping Brackets | OKC1-09.007A-01  | 1   |
| Wood Screws                                 | For Anti-Tipping Brackets | H00232A-01   | 6   |
| Tapcon Screws                               | For Anti-Tipping Brackets | H00231A-01   | 6   |
| Anti-Tipping Brackets                       | -                         | OKC1-09.006A-01  | 2   |
| OKC 1.0 Plastic Cap                         | -                         | H00210A-01   | 8   |

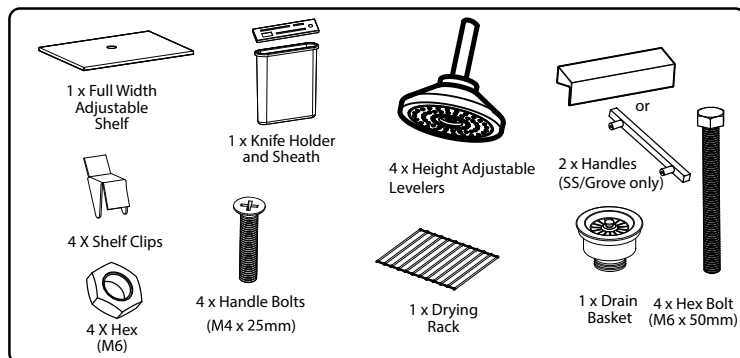
## 32" 2 - Sink



SKU# 65001  
SKU# 70002  
SKU# 70306

SKU# 65601  
SKU# 70102  
SKU# 70406

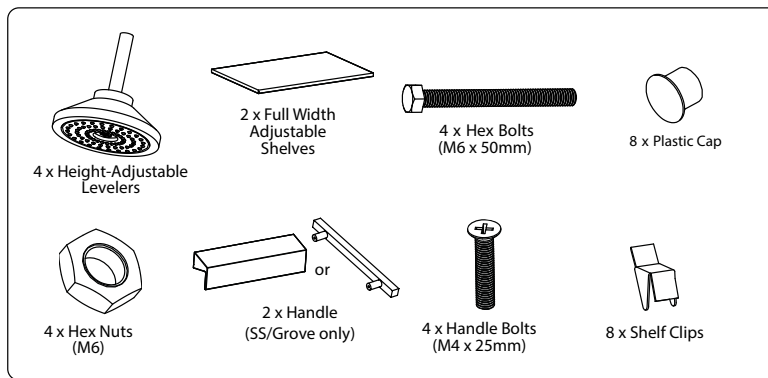
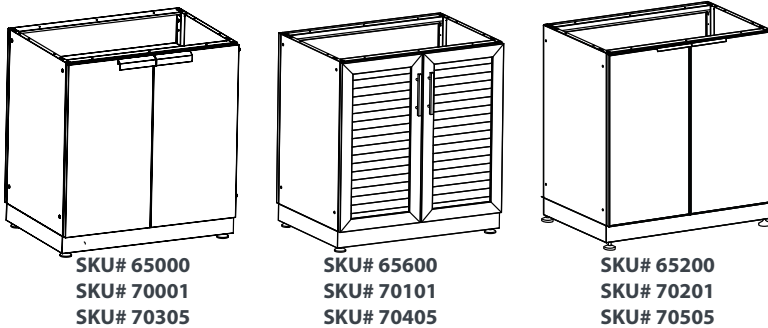
SKU# 65201  
SKU# 70202  
SKU# 70506



| Components                                  | Function            | Engg part No  | Qty |
|---|---------------------|---|-----|
| Cabinet Frame + Door                        | -                   |   | 1   |
| Hex Head Bolt (M6 X 50)                     | Connecting Cabinets | H00198A-01  | 4   |
| Hex Nut (M6)                                | Connecting Cabinets | H00200A-01  | 4   |
| Height-Adjustable Levelers                  | -                   | H00196A-01  | 4   |
| Handle                                      | -                   | SS : OKC1-03.003.04A-01<br>Grove : OKC1-19.003A-01<br>Alum : NA | 2   |
| Head Bolt (M4 x 25mm) (For SS & Grove only) | Connecting Handles  | H00467A-01  | 4   |
| Shelf Clips                                 | For Shelves         | OKC1-07.007A-01   | 4   |
| Shelf                                       | -                   | OKC1-08.003A-01   | 1   |
| Knife Holder and Sheath                     | -                   | OKC1-08.005A-01   | 1   |
| Drying Rack                                 | -                   | OKC1-08.006A-01   | 1   |
| Sink Drain Basket                           | -                   |   | 1   |
| OKC 1.0 Plastic Cap                         | -                   | H00210A-01  | 8   |

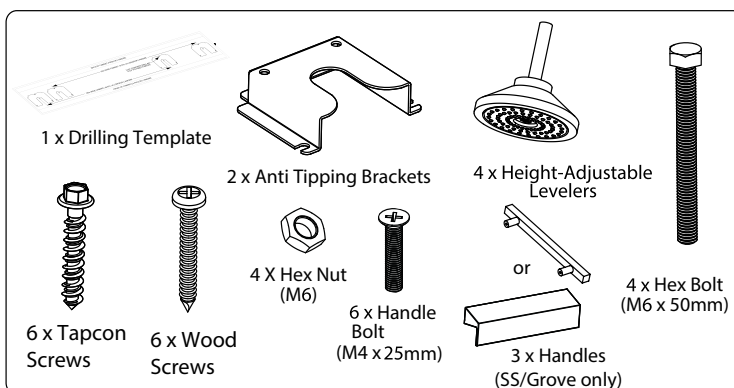
# Components For Assembled Cabinets

## 32" 2 - Door Cabinet



| Components                                  | Function            | Engg part No  | Qty |
|---|---------------------|---|-----|
| Cabinet Frame + Door                        | -                   |   | 1   |
| Hex Head Bolt (M6 X 50)                     | Connecting Cabinets | H00198A-01  | 4   |
| Hex Nut (M6)                                | Connecting Cabinets | H00200A-01  | 4   |
| Height-Adjustable Levelers                  | -                   | H00196A-01  | 4   |
| Handle                                      | -                   | SS : OKC1-03.003.04A-01<br>Grove : OKC1-19.003A-01<br>Alum : NA | 2   |
| Head Bolt (M4 x 25mm) (For SS & Grove only) | Connecting Handles  | H00467A-01  | 4   |
| Shelf Clips                                 | For Shelves         | OKC1-07.007A-01   | 8   |
| Shelf                                       | -                   | OKC1-07.006A-01   | 2   |
| OKC 1.0 Plastic Cap                         | -                   | H00210A-01  | 8   |

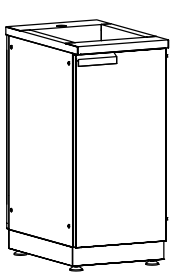
## 16" 3 - Drawer Cabinet



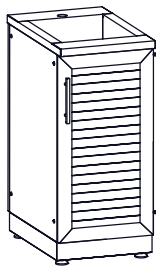
| Components                                  | Function                  | Engg part No  | Qty |
|---|---------------------------|---|-----|
| Cabinet Frame + Door                        | -                         |   | 1   |
| Hex Head Bolt (M6 X 50)                     | Connecting Cabinets       | H00198A-01  | 4   |
| Hex Nut (M6)                                | Connecting Cabinets       | H00200A-01  | 4   |
| Height-Adjustable Levelers                  | -                         | H00196A-01  | 4   |
| Handle                                      | -                         | SS : OKC1-03.003.04A-01<br>Grove : OKC1-19.003A-01<br>Alum : NA | 3   |
| Head Bolt (M4 x 25mm) (For SS & Grove only) | Connecting Handles        | H00467A-01  | 6   |
| Drilling Template                           | For Anti-Tipping Brackets | OKC1-09.007A-01   | 1   |
| Wood Screws                                 | For Anti-Tipping Brackets | H00232A-01  | 6   |
| Tapcon Screws                               | For Anti-Tipping Brackets | H00231A-01  | 6   |
| Anti-Tipping Brackets                       | -                         | OKC1-09.006A-01   | 2   |
| OKC 1.0 Plastic Cap                         | -                         | H00210A-01  | 8   |

# Components For Assembled Cabinets

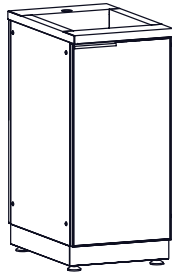
## 16" - Sink



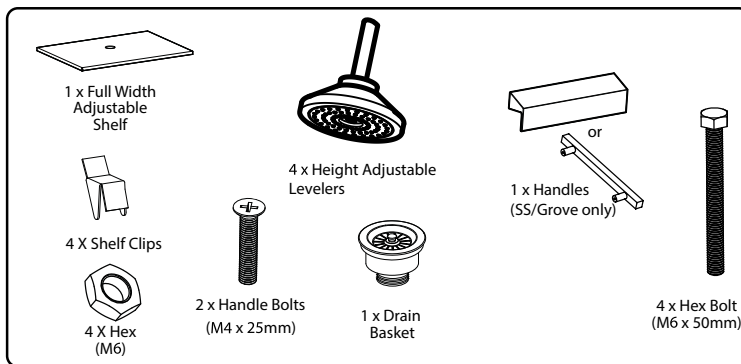
SKU# 65622



SKU# 65625

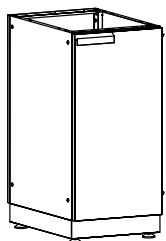


SKU# 65628

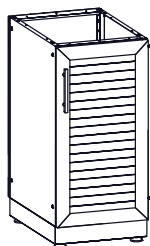


| Components                                  | Function            | Engg part No  | Qty |
|---|---------------------|---|-----|
| Cabinet Frame + Door                        | -                   |   | 1   |
| Hex Head Bolt (M6 X 50)                     | Connecting Cabinets | H00198A-01  | 4   |
| Hex Nut (M6)                                | Connecting Cabinets | H00200A-01  | 4   |
| Height-Adjustable Levelers                  | -                   | H00196A-01  | 4   |
| Handle                                      | -                   | SS : OKC1-03.003.04A-01<br>Grove : OKC1-19.003A-01<br>Alum : NA | 1   |
| Head Bolt (M4 x 25mm) (For SS & Grove only) | Connecting Handles  | H00467A-01  | 2   |
| Shelf Clips                                 | For Shelves         | OKC1-07.007A-01   | 4   |
| Shelf                                       | -                   | OKC1-66.002A-01   | 1   |
| Sink Drain Basket                           | -                   | -   | 1   |
| OKC 1.0 Plastic Cap                         | -                   | H00210A-01  | 8   |

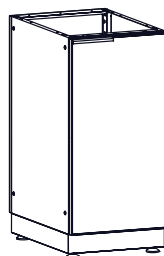
## 16" 1 - Door Cabinet



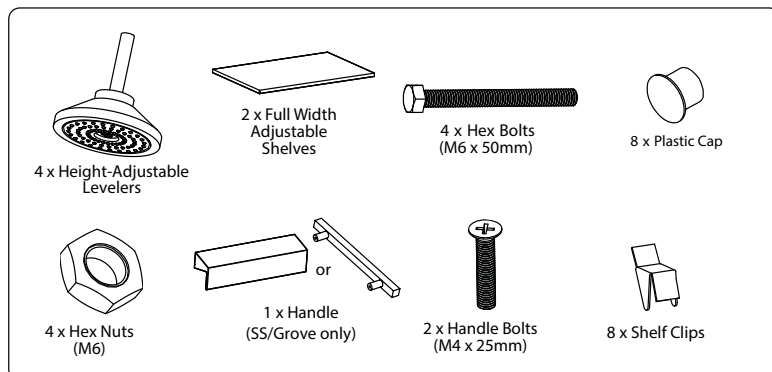
SKU# 65621



SKU# 65624



SKU# 65627



| Components                                  | Function            | Engg part No  | Qty |
|---|---------------------|---|-----|
| Cabinet Frame + Door                        | -                   |   | 1   |
| Hex Head Bolt (M6 X 50)                     | Connecting Cabinets | H00198A-01  | 4   |
| Hex Nut (M6)                                | Connecting Cabinets | H00200A-01  | 4   |
| Height-Adjustable Levelers                  | -                   | H00196A-01  | 4   |
| Handle                                      | -                   | SS : OKC1-03.003.04A-01<br>Grove : OKC1-19.003A-01<br>Alum : NA | 1   |
| Head Bolt (M4 x 25mm) (For SS & Grove only) | Connecting Handles  | H00467A-01  | 2   |
| Shelf Clips                                 | For Shelves         | OKC1-07.007A-01   | 8   |
| Shelf                                       | -                   | OKC1-65.003A-01   | 2   |
| OKC 1.0 Plastic Cap                         | -                   | H00210A-01  | 8   |

# Outdoor Area Preparation



**ATTENTION :** NewAge recommends using a professional kitchen installer to prepare and install kitchen cabinets.



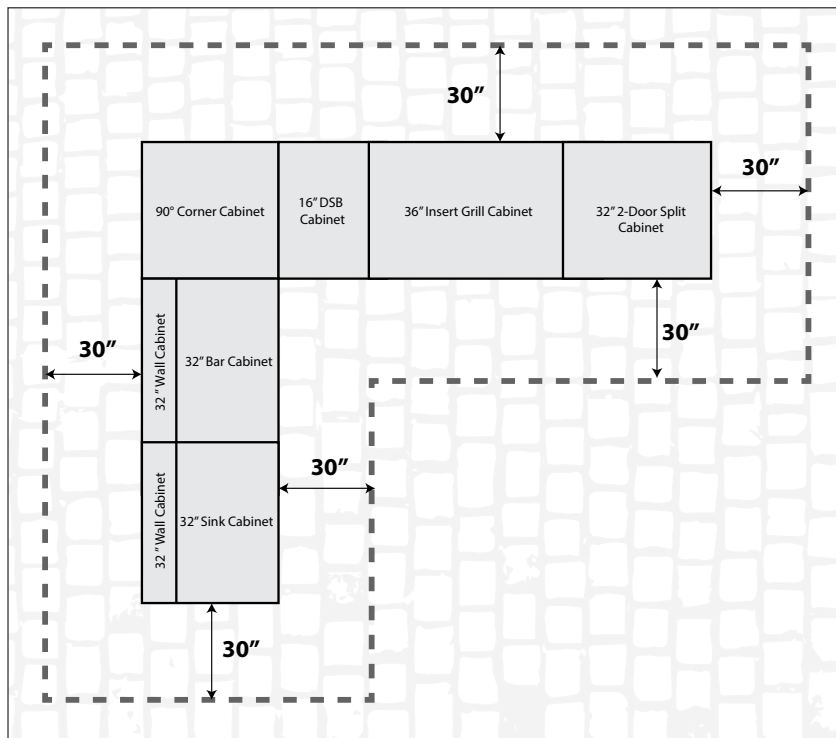
**NOTE:** If you are unfamiliar or unsure of how to handle utility connections, have a qualified professional perform these duties.

## Components For Assembled Cabinets

- Shut off all existing water, power and utility lines.
- Remove existing cabinets and appliances. It is best to move these out of the Outdoor Area for easier access to the work area while the installation is being done.
- Make sure having a flat leveled surface to install your Classic Outdoor Kitchen.
- Having the adjustable leveling legs, the Classic Outdoor Kitchen cabinets can be installed on any flat decking, concrete, or paving surface, however, the surface has to be leveled for the proper installation.

## STEP 1 : FIND THE BEST LOCATION AND UNDERSTAND YOUR NEEDS

- The first step to setting up an outdoor kitchen is conducting a site survey.
- Determine how large of an area you can dedicate to your outdoor kitchen, measure the proposed area's square footage.
- Be sure that the planned location is close to accessible utilities, and provides a clear path to your Outdoor kitchen.
- We would recommend a 30" border space surrounding your kitchen cabinets to ensure that you have plenty of room for food prep, cooking, serving, and entertaining.



**NOTE :** If you want to maintain the view you currently have looking outside of your home, be sure to position your outdoor kitchen space in such a way that the view is not blocked.

Sketching out your layout on graph paper will help you to visualize where things should go, later determining what you may need.

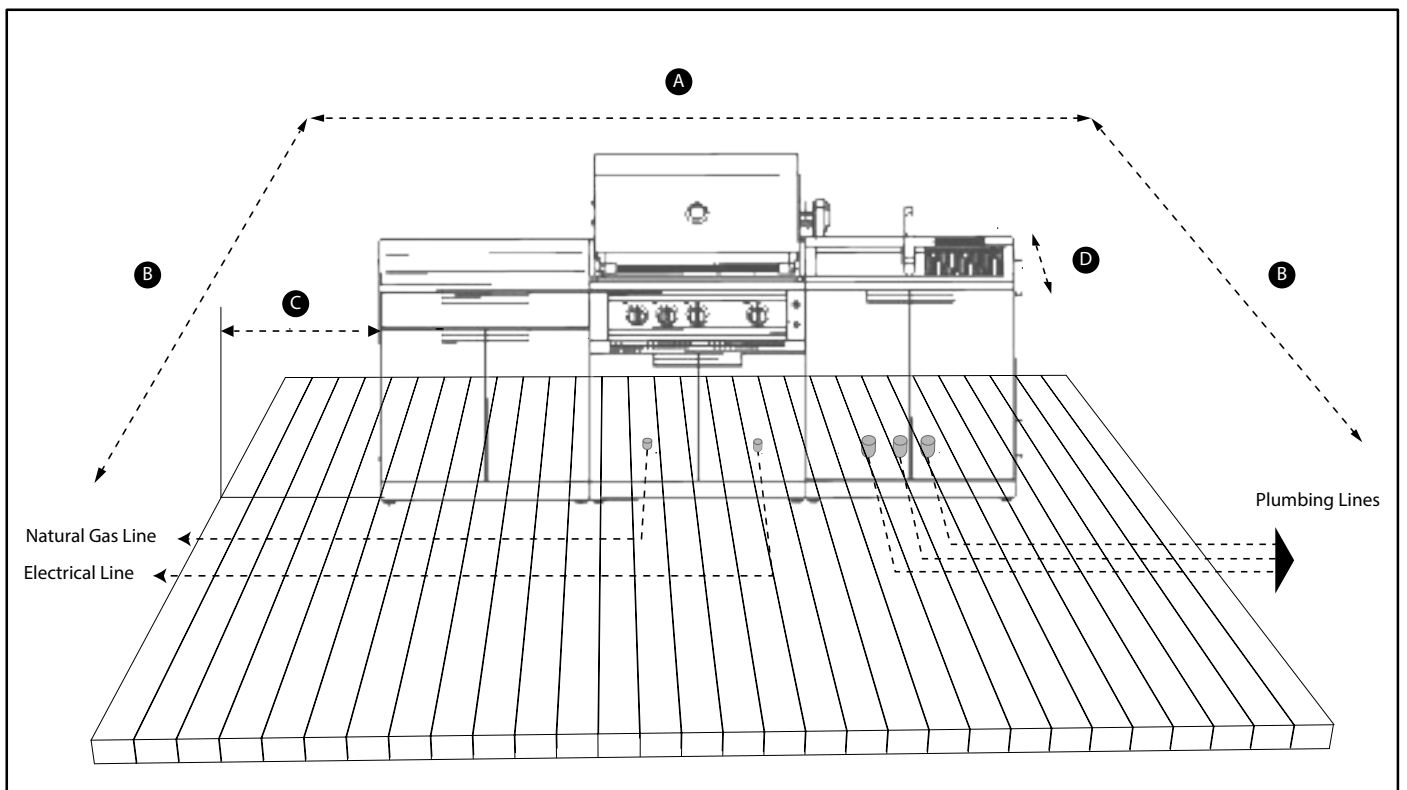
# Outdoor Area Preparation

## STEP 2 : HOW TO UTILIZE YOUR SPACE

- Determine the ideal spot for the appliances and the other cabinet features into the Outdoor Kitchen setup
- Determine how many appliances should be included, along with storage requirements and added features like bar service.

## Measuring and Marking your Space

- Now Use a tape measure and list down the following to help you through the cabinet set installation.
- A. Width of the Outdoor Area to be used.
- B. Depth of the Outdoor Area to be used
- C. Distance of Platform edge to the side of the cabinet (30" or more)
- D. Distance of Platform edge to the back of the cabinets (30" or more)
- It is recommended that the plumbing, natural gas and electrical lines be mounted from the bottom or back of the cabinets as shown below, before assembling the cabinet sets.



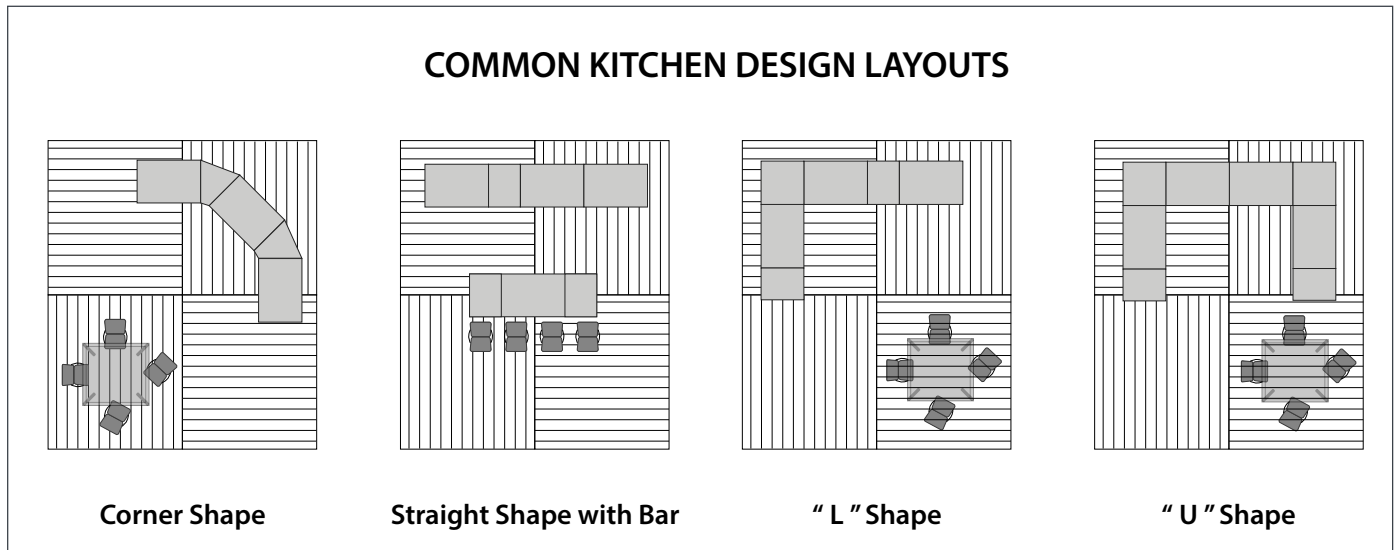
**NOTE:** To have the exact location of the plumbing access holes in the sink cabinets and the gas/ electrical pass-through holes for the Appliance cabinets, refer to the individual cabinet sections in the manual.

# Outdoor Area Preparation

## STEP 3 : HOW SHOULD YOU DESIGN YOUR OUTDOOR KITCHEN

- Once you've chosen which appliances you want in your outdoor kitchen, it's time to consider how each appliance and cabinet will fit within the greater design scheme—how much room to allow for each, and how they will 'flow' into each other.
- You may have heard of the "golden triangle" rule of kitchen design, designing an outdoor kitchen is no exception. The close proximity of sink, grill and prep station is key for effective food preparation and service.

### Preparing your Outdoor Area as per your Cabinet Layout



- While preparing your cabinet layout ensure the plumbing, gas and electrical pipelines are laid as per the regional certifications and ensure it is done with professional help.
- Once you have finalized on the cabinet set layout, assemble the cabinets as per detail instructions given in the following pages to ensure a smooth process throughout the activity.
- Cabinets must be installed on a leveled surface. Levelling Legs are provided to provide adjustments between the high and low spots in the installations but are not intended to be installed on a non-level surface.
- Take note of existing Gas/electrical/plumbing access in relation to your planned installation.
- Take note of existing access holes on the cabinets for ease of installation.

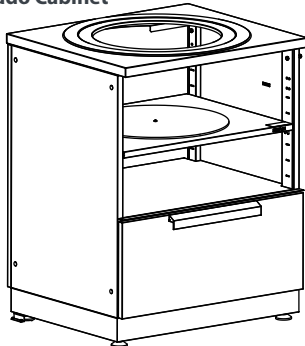
# Installing Anti-Tipping Brackets

**i** For increased safety, especially with individual cabinets, always install an anti-tipping bracket.

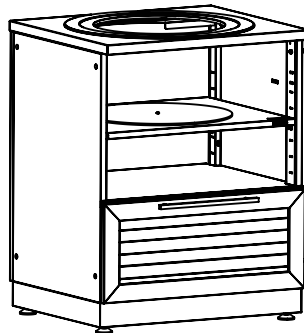
Ensure area is leveled and install the anti-tipping brackets

**i** **NOTE:** The following instructions apply to the cabinets below

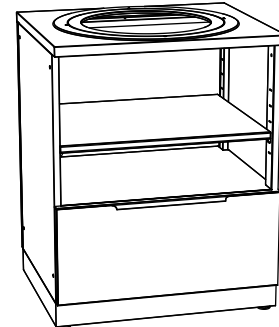
## 28" Kamado Cabinet



SKU# 65010  
SKU# 70006  
SKU# 70310

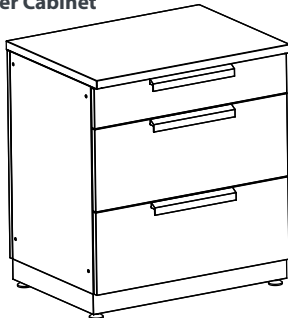


SKU# 65610  
SKU# 70106  
SKU# 70410

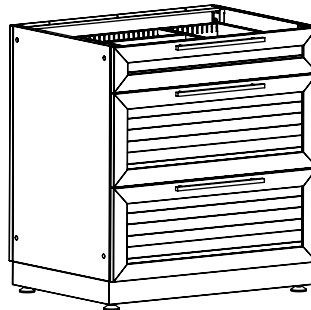


SKU# 65210  
SKU# 70205  
SKU# 70509

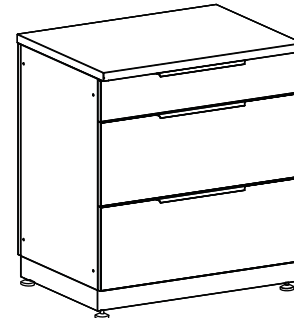
## 32" 3 Drawer Cabinet



SKU# 65002  
SKU# 70003  
SKU# 70307

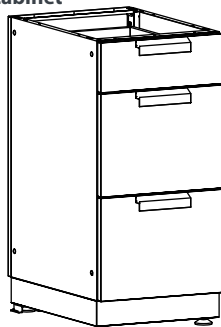


SKU# 65602  
SKU# 70103  
SKU# 70407

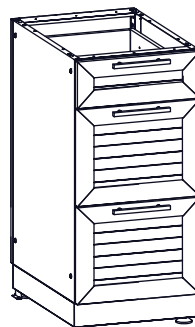


SKU# 65202  
SKU# 70203  
SKU# 70507

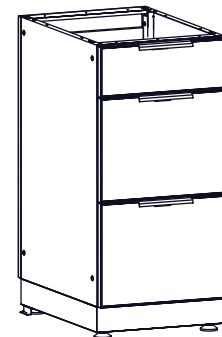
## 16" 3 Drawer Cabinet



SKU# 65623



SKU# 65626



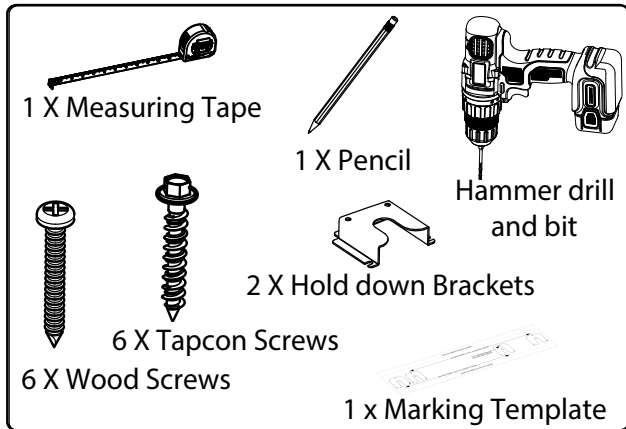
SKU# 65629

Serious or fatal crushing injuries can occur from furniture tip over. To prevent tip over, this furniture must be used with the anti-tipping brackets provided. Open one drawer at a time.

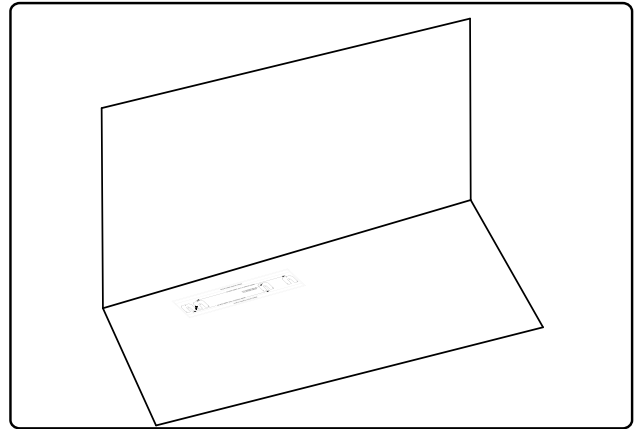


# Installing Anti-Tipping Brackets

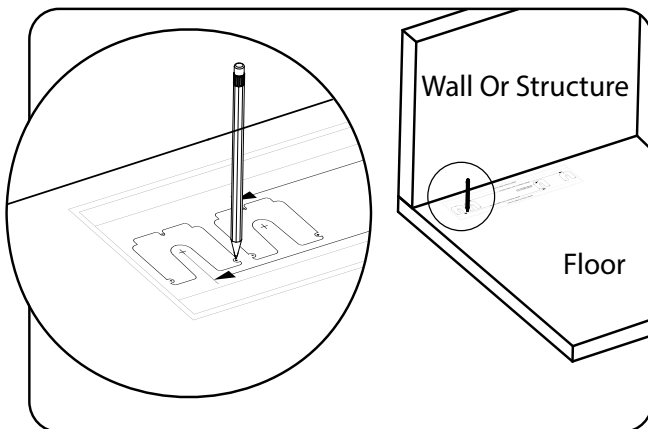
## **i** Parts Needed



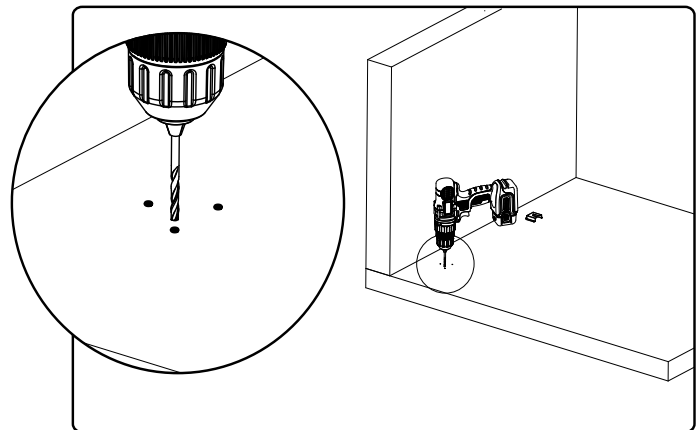
**1** Position the Marking Template on the floor to where the rear foot of the cabinet should be installed.



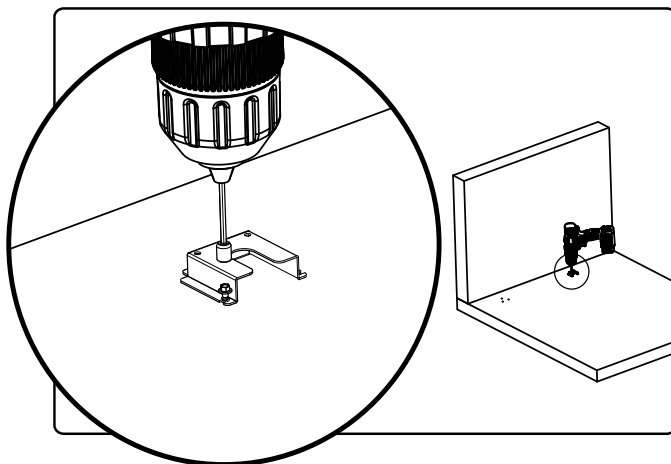
**2** Mark 6 drill locations using template to place brackets



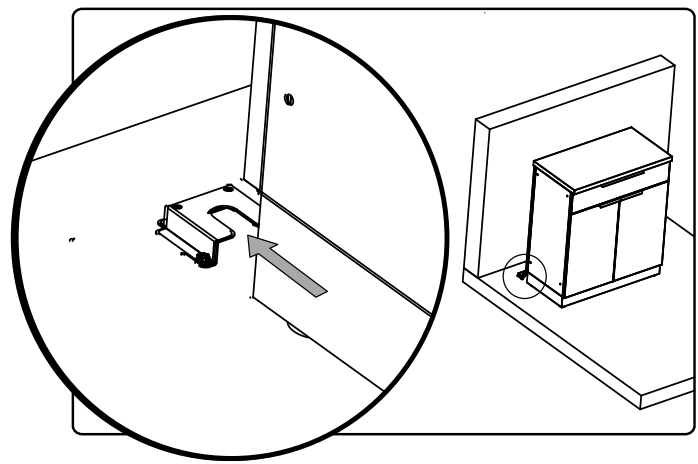
**3** Drill Floor in marked positions with appropriate drill for substrate



**4** Fasten each Anti-Tipping Bracket with 3 Tapcons into concrete surfaces or 3 wood screws for wood surfaces.



**5** Slide cabinet into the Anti-Tipping Brackets until both rear foot are engaged to secure cabinet.

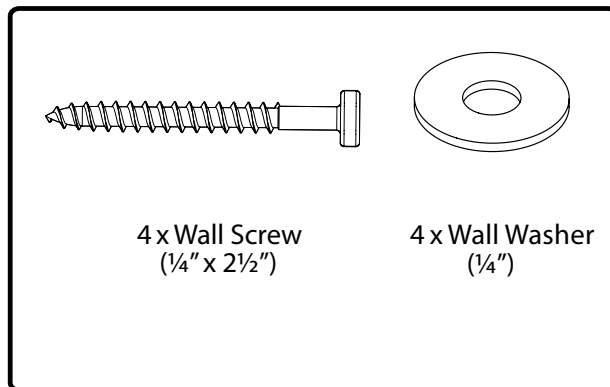
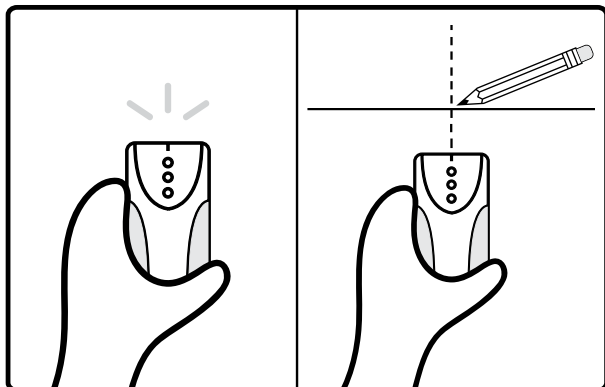


# Installing the Wall Cabinets

## Securing Cabinets on Studded Wall

**i** Use stud finder to locate the studs and mark a line on the wall with a pencil at desired height.

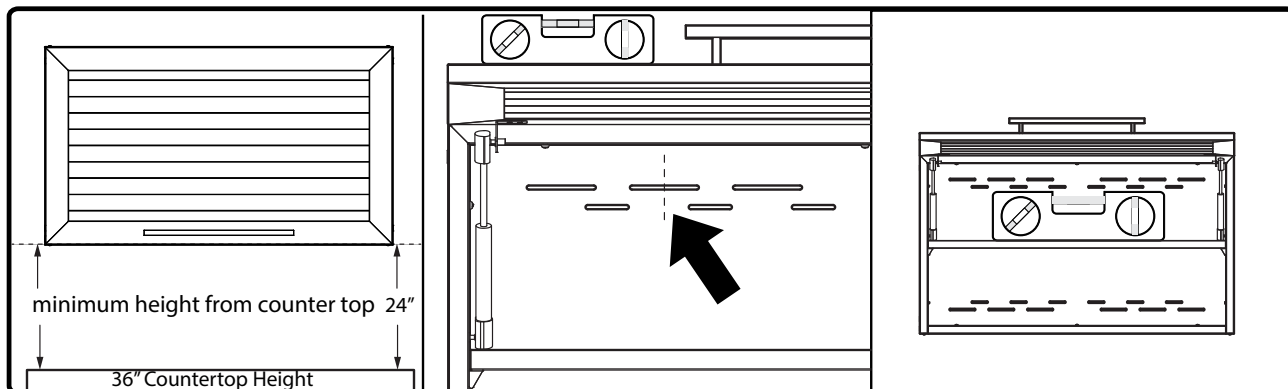
**i** Parts Needed



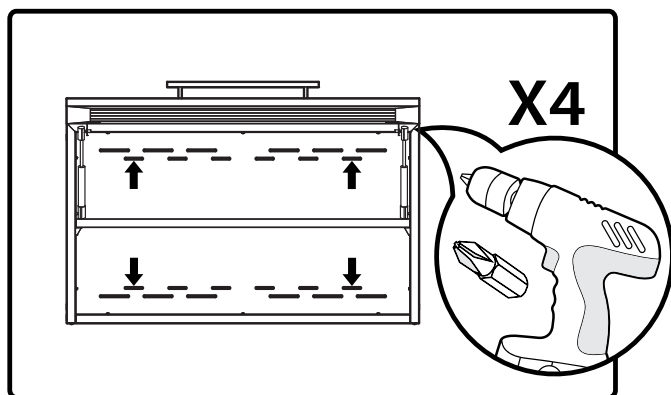
**1** Place cabinet tight against the wall.

**2** Align cabinet to stud marks.

**3** Level cabinet.



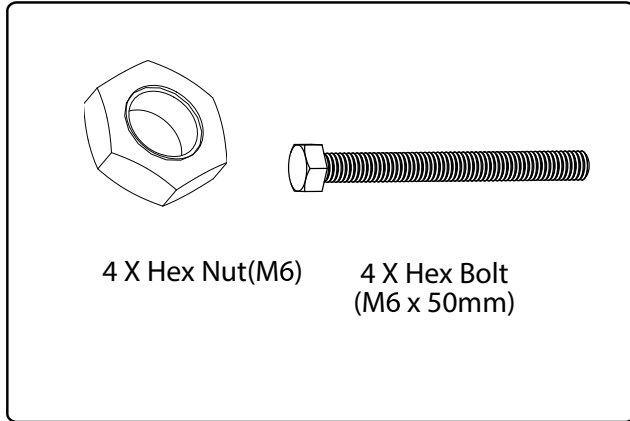
**4** Pre-drill (4) 1/4" (6.5mm) then drill 4 wall screws and washers through perforated holes into studs.



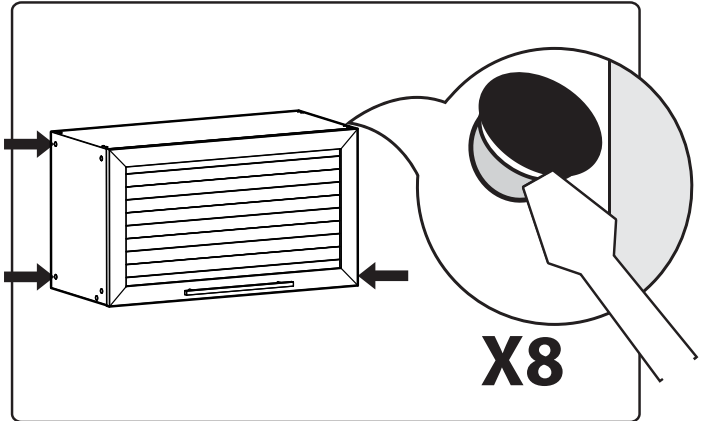
# Installing the Wall Cabinets

## Fastening Cabinets(to each other)

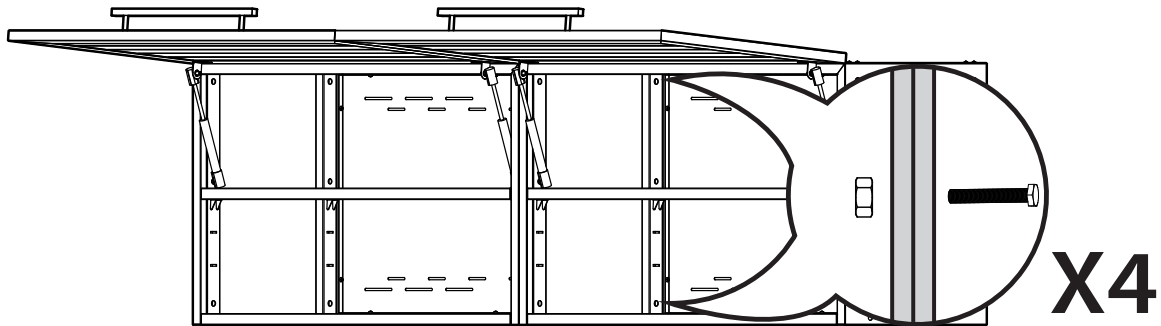
**i** Parts Needed.



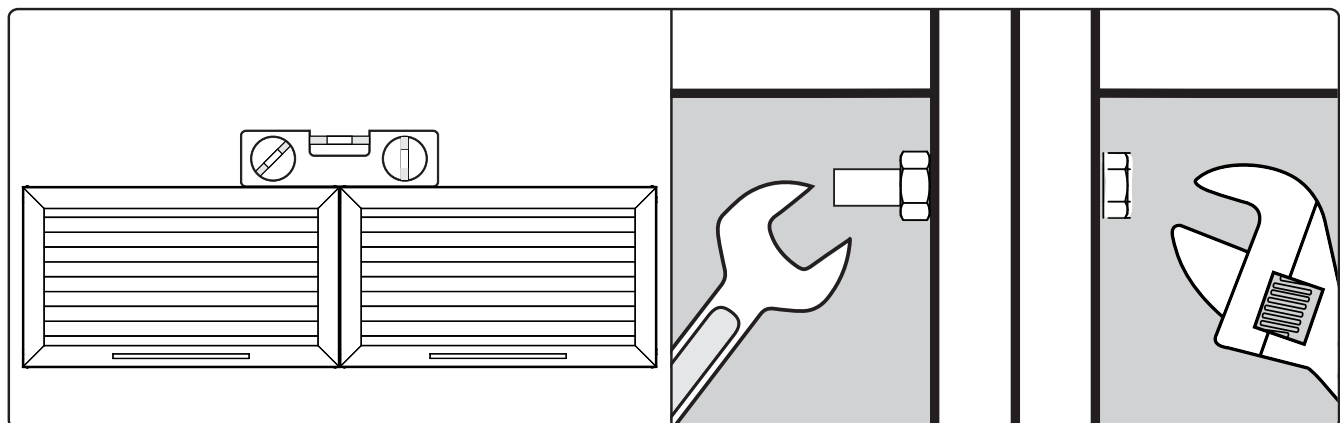
**1** Remove plastic caps from cabinets.



**2** Align bolts, tighten lightly.



**3** Level cabinets and tighten all bolts.

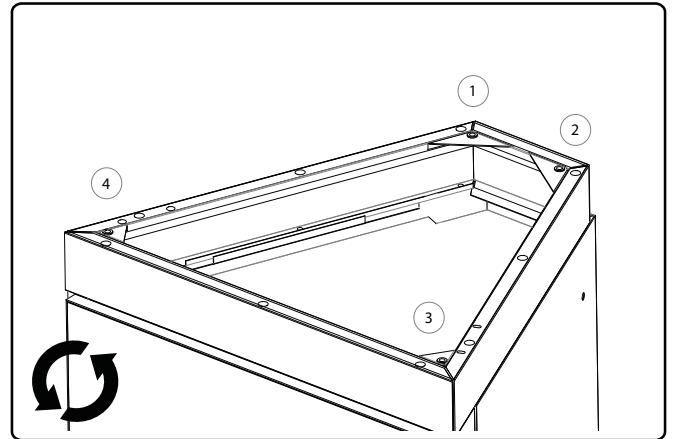


# Installing the Legs

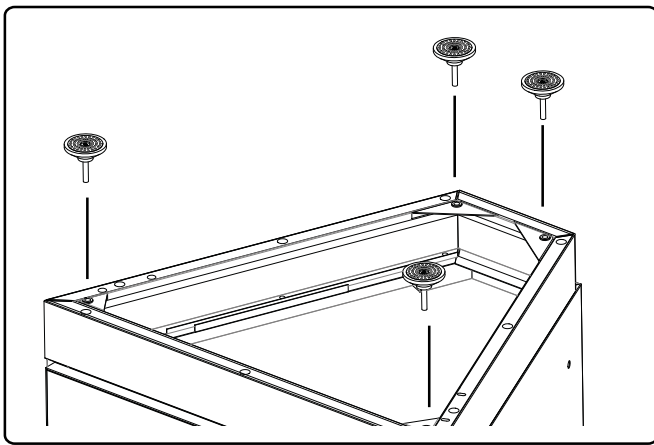
**i** Parts Needed.



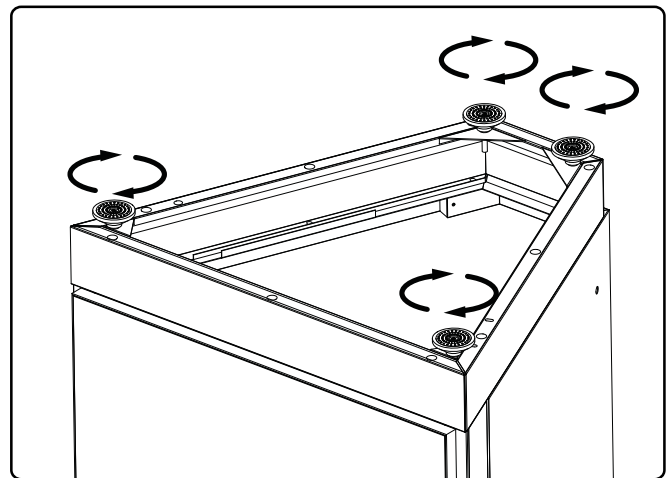
**1** Flip cabinet upside down, locate corner leveler brackets.



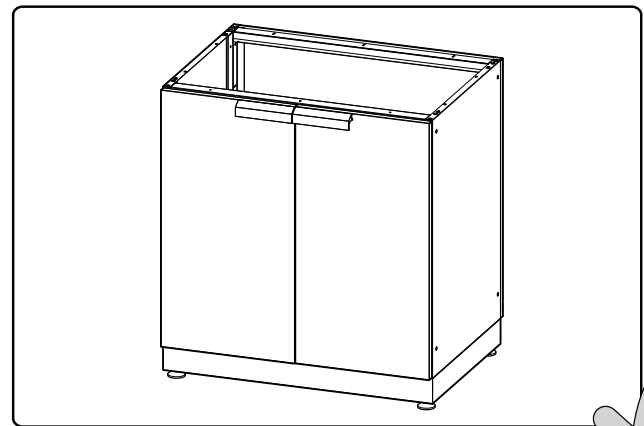
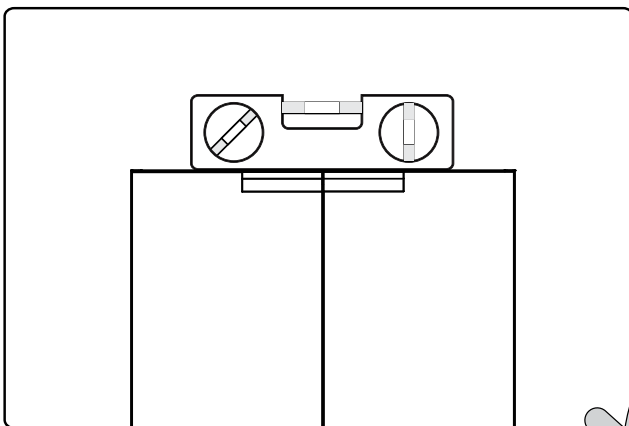
**2** Align levelers with insert nuts in corner brackets.



**3** Rotate clockwise to tighten each leveler.

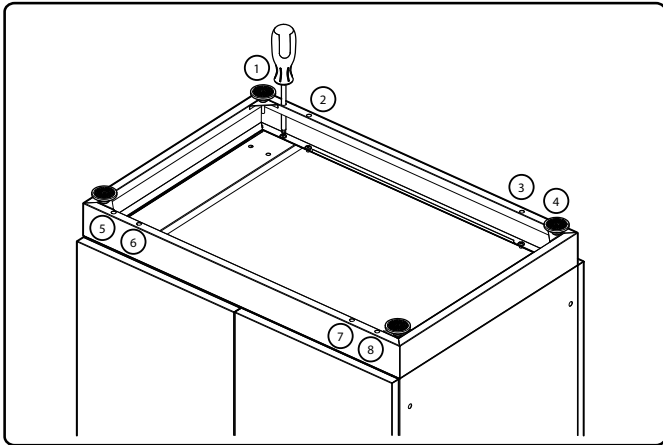


**4** Flip over Cabinet and level the Cabinet by adjusting the leveler.

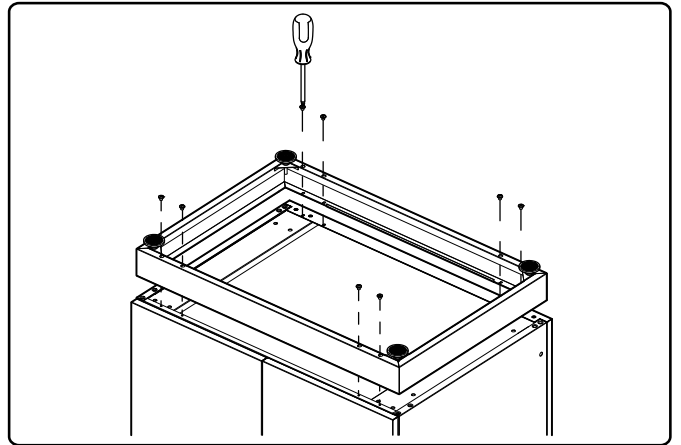


# Installing Casters

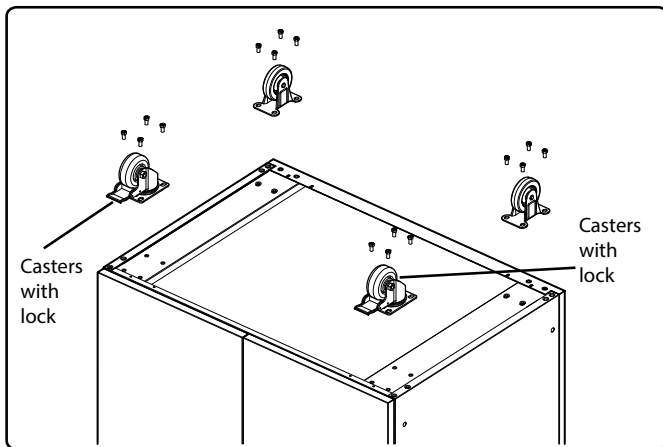
- 1** Remove (8x) M4 bolts in locations with phillips screw driver accessed through holes in kick



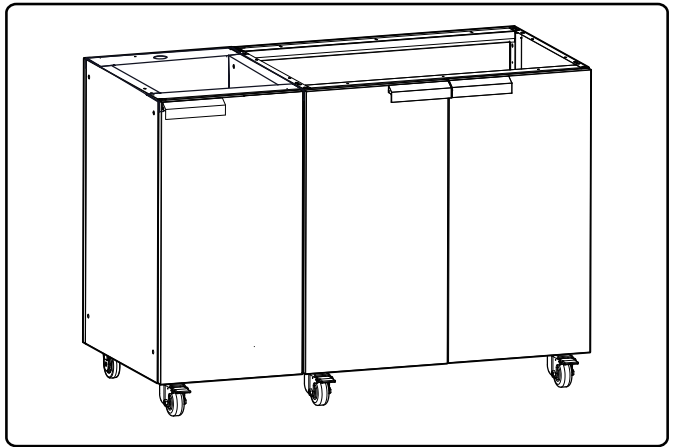
- 2** Remove kick and store with hardware for future configuration considerations.



- 3** Place caster plate over 4 rivet nuts in 4 corner locations install/tighten (16x) 1/4" x 1/2" bolts. Can be installed with socket or Phillips driver.



- 4** Rotate cabinet until all 4 casters are resting on the ground.



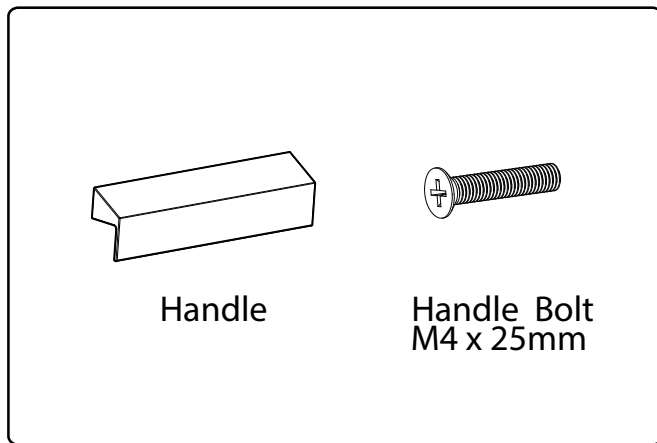
## NOTE:

- Dual Side Burner cabinet and 16in cabinets with casters can only be used when attached to other cabinets. Only two casters are required for the 16in and Dual side burner cabinets when attached to other cabinets.
- Locking casters should always be placed at the front corners of the cabinet set.
- Only 2 locking casters are required for any cabinet set and should be installed at the front-left and front-right end of the attached set. All other locations should be installed with non-locking casters.
- All individual cabinets should not be installed with casters. There should be a minimum of two cabinets installed in order to add casters. Remember to always open only one drawer at a time and keep heavy items to the bottom drawer.

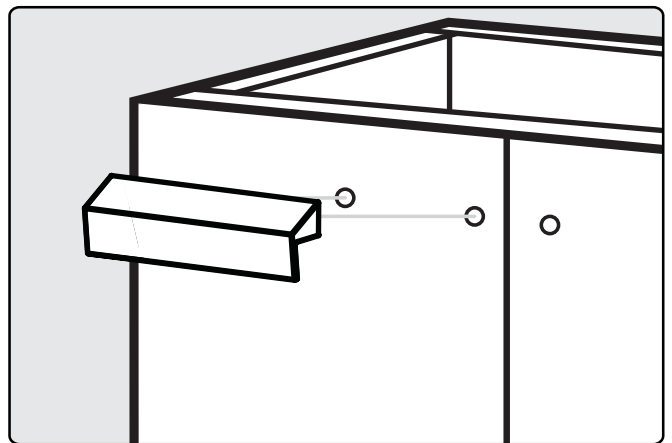
# Installing the Handles

## Cabinet Door & Drawer Handles

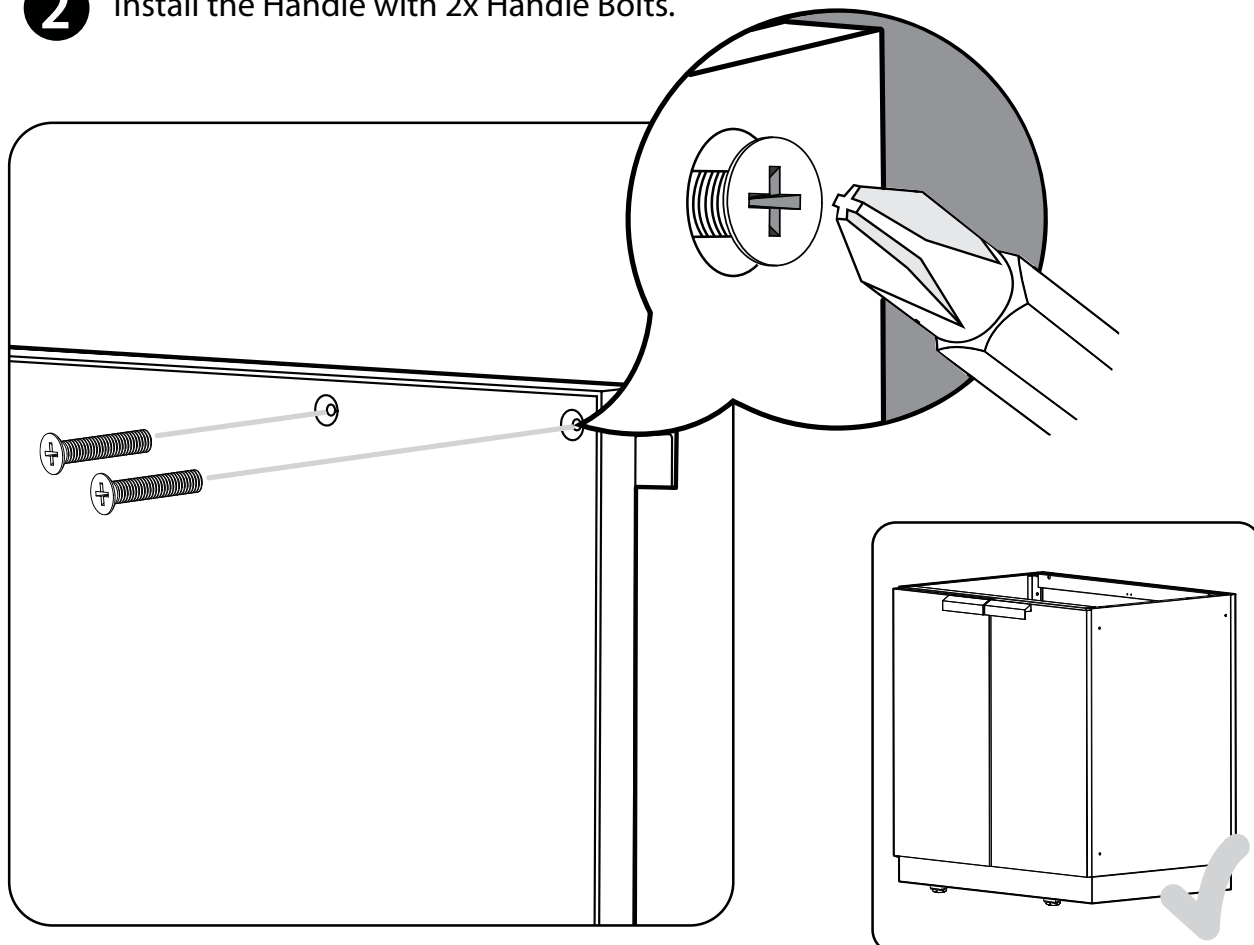
### **i** Parts Needed



### **1** Align handle to holes

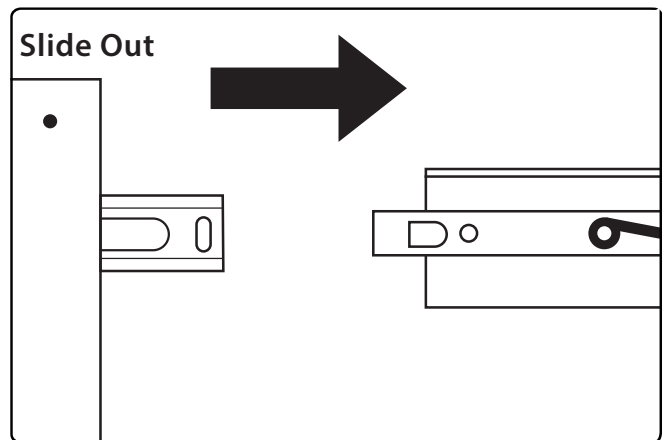
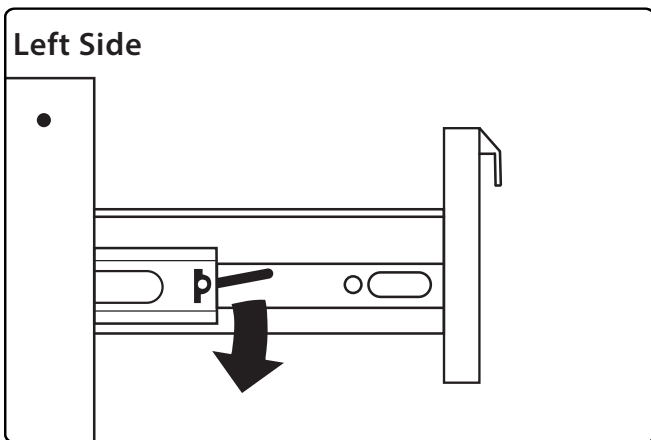
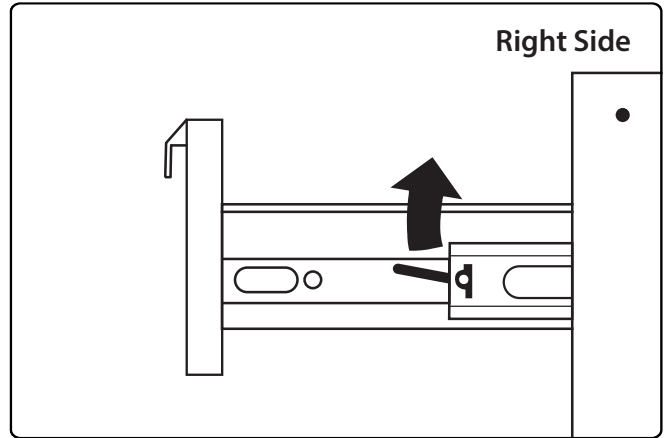
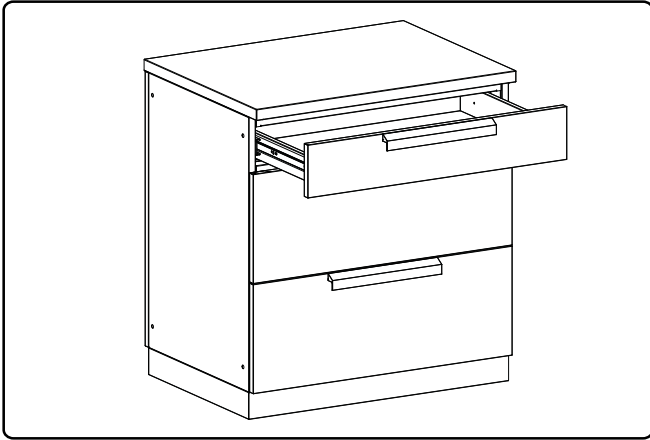


### **2** Install the Handle with 2x Handle Bolts.

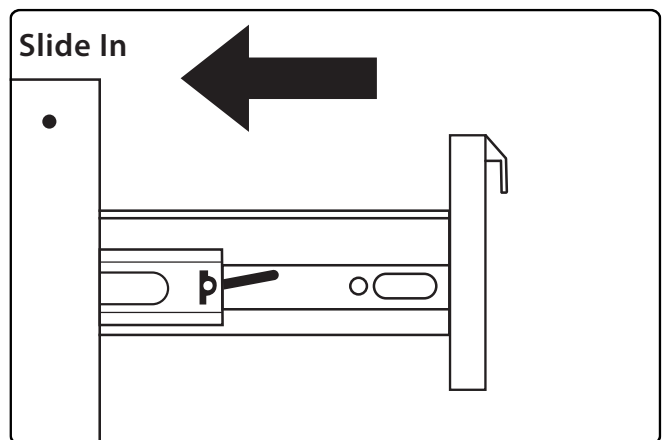
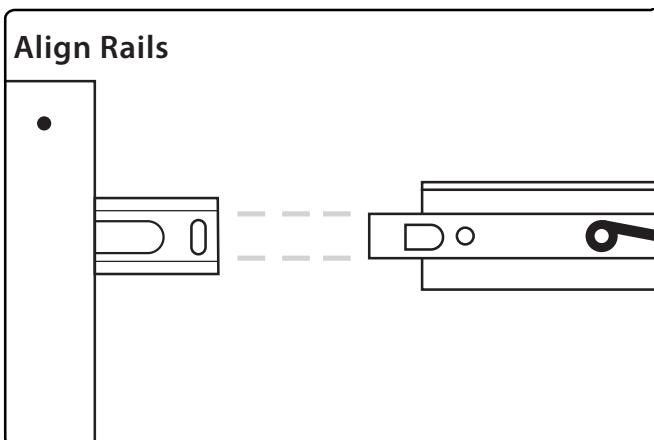


# Installing/Removing the Drawers

## Removing Drawers

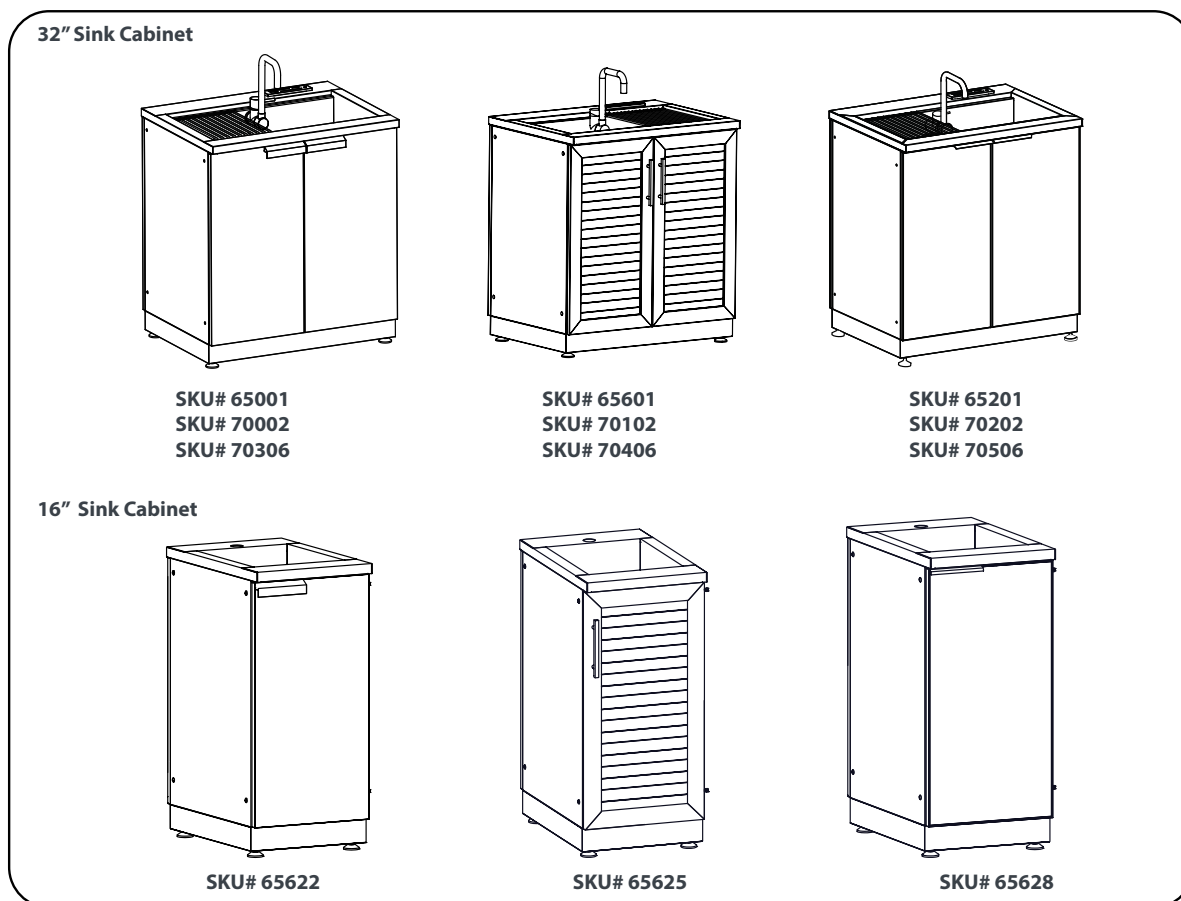


## Inserting Drawers



# Preparing the Sink Cabinets

**i NOTE:** The following instructions apply to the cabinets below



**i NOTE:** Make sure the plumbing work is done as per the Building codes of the region.

**i NOTE:** It is recommended to have a certified plumber for installing the sink Cabinets.

## WARNING

Drain your faucet before winter to prevent frozen pipes and potential damage. Freezing temperatures during winter can lead to the expansion of water within the pipes, causing them to crack or burst. To safeguard against such issues, draining the faucet is a vital preventative measure to mitigate the risk of costly damage and ensure the longevity of your plumbing system.

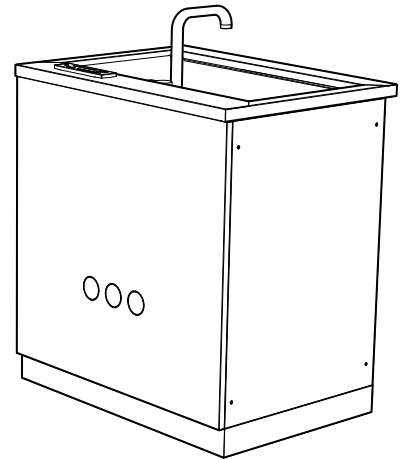
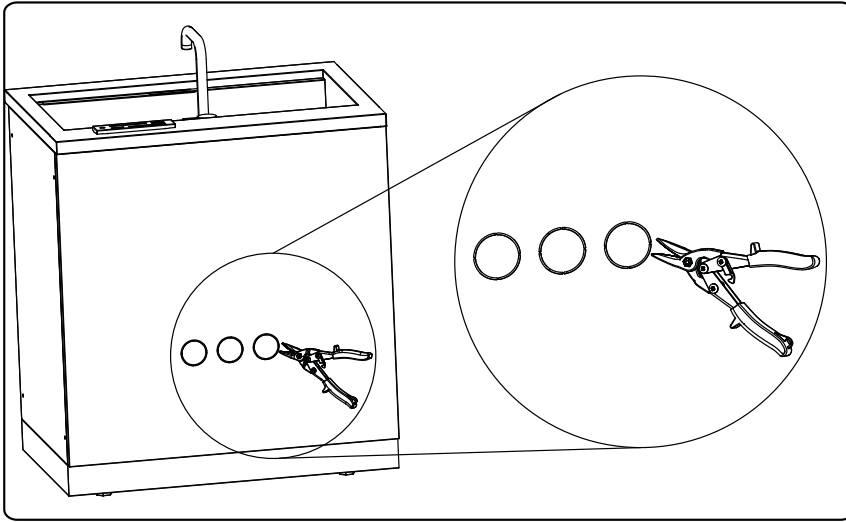
## How To Winterize An Outdoor Faucet

- Make sure to close the water supply to the faucet.
- If you have a hose attached to the faucet, disconnect it and take off the spray nozzle. Drain the hose thoroughly and coil it neatly.
- Open the drainage port.
- Drain out the water.  
For an outdoor faucet without an indoor drainage port, drain out any remaining water by simply turning on the tap. Once all the water has drained onto the ground, turn off the faucet.
- Insulate or cover the faucet.

# Preparing the Sink Cabinets

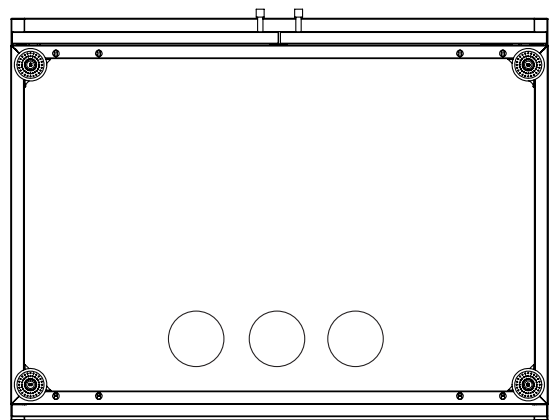
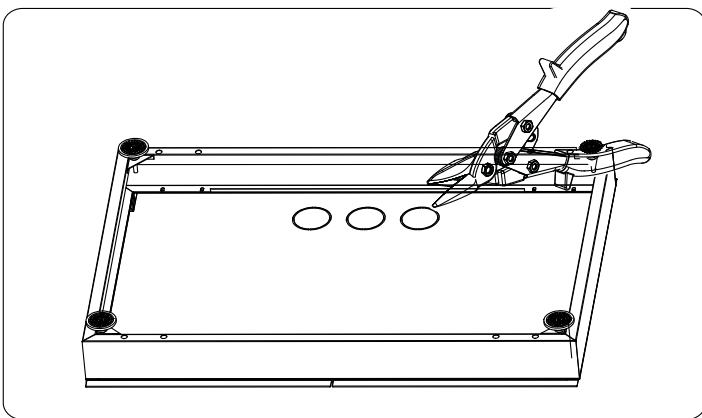
**i** Make sure the plumbing line (Cold/Hot water lines and drain pipe) are located underneath or behind the back wall of the cabinet, aligned with the three pre-slotted holes at the bottom of the cabinet. Follow Steps 1a or 1b as per the location of the plumbing lines.

**1a** Locate the 3 pre-slotted holes at the back wall of the cabinet for the plumbing lines. Using tin snips cut small webs to release the knockouts.



Back view of Sink Cabinet

**1b** Locate the 3 pre-slotted holes at the bottom of the cabinet for the plumbing lines. Using tin snips cut small webs to release the knockouts.

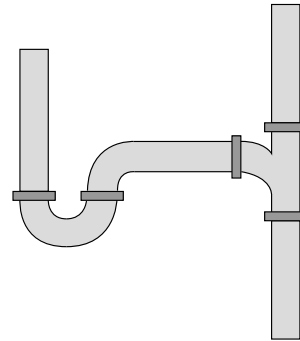


Bottom view of Sink Cabinet

# Preparing the Sink Cabinets

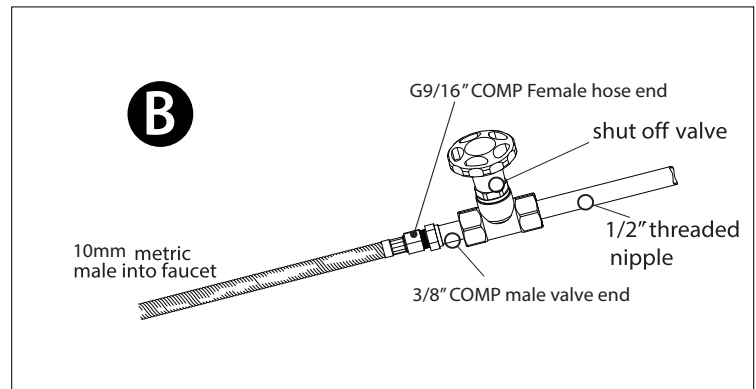
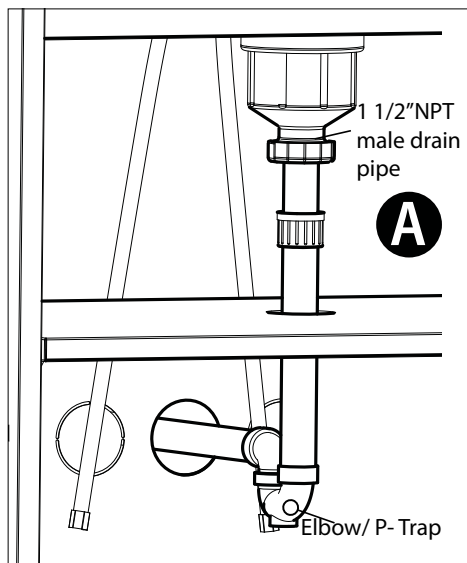


Make sure to apply the latest plumbing standards and requirements of your regional building codes. The P-Trap drainage is recommended for the plumbing. It is recommended to have a certified plumber for installing the sink Cabinets

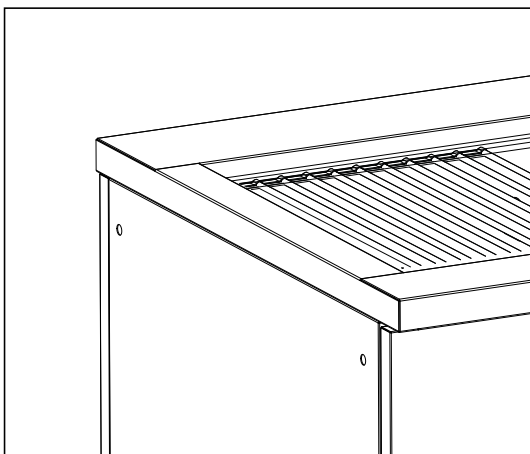


**P-Trap**

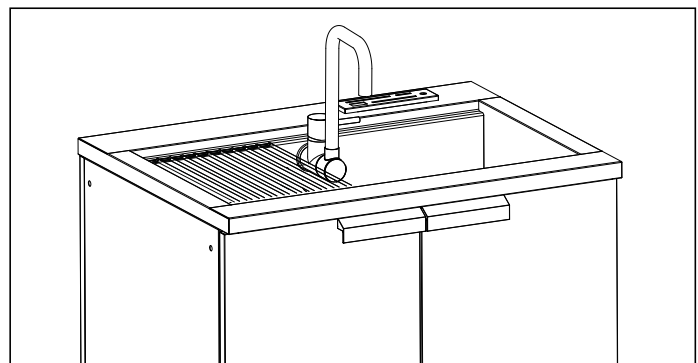
- 3** Connect the drain trap adapter to a P-trap and drainage tubing (A). Connect the braided water inlet lines hot and cold to the supply lines(B).



- 4** Place the drying tray on the surface of the sink



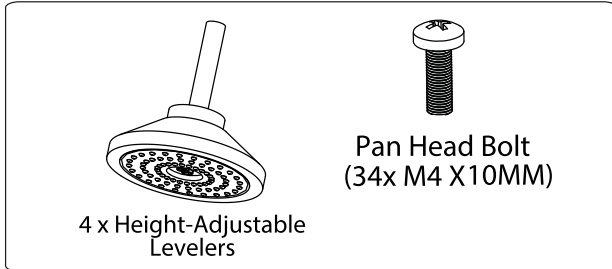
- 5** The faucet is pre-installed into the cabinet. The head is folded sideways inside the packaging. Unfold it upwards to restore its position.



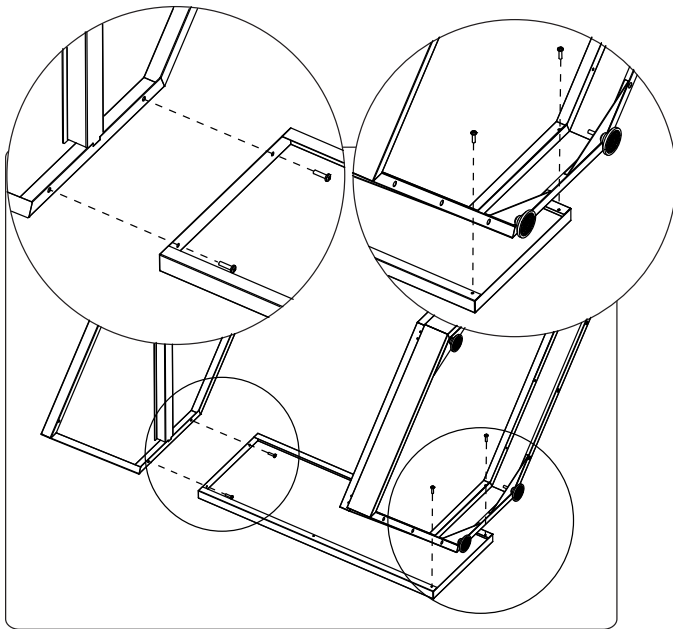
# Assembling the 90° Corner Cabinet

## Frame Assembly

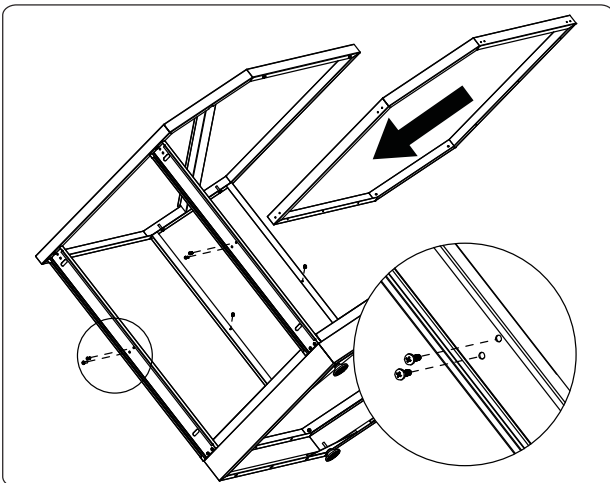
### **i** Parts Needed



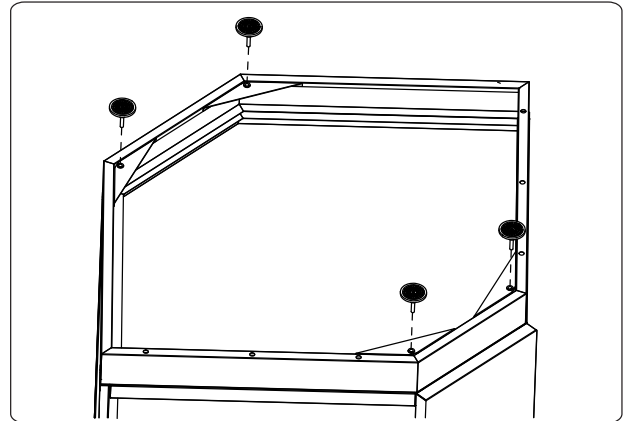
### **2** Attach Top, Back Panel and Base 2 with 4 X M4 x 10mm pan head bolts.



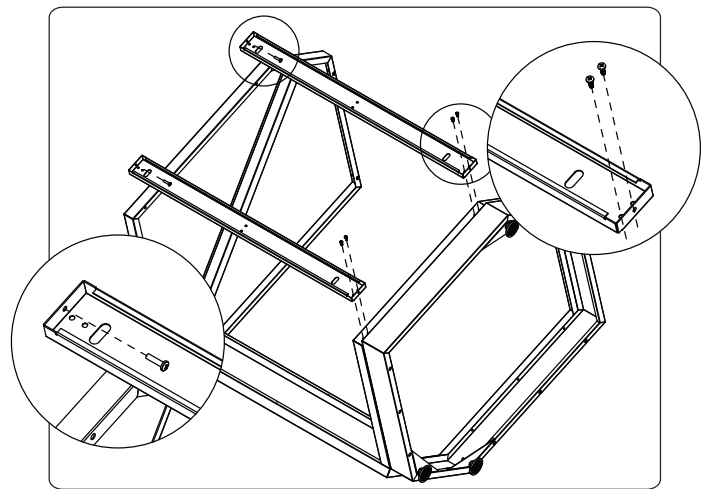
### **4** Attach shelf to vertical supports using 4X M4 X 10MM Pan Head Bolts.



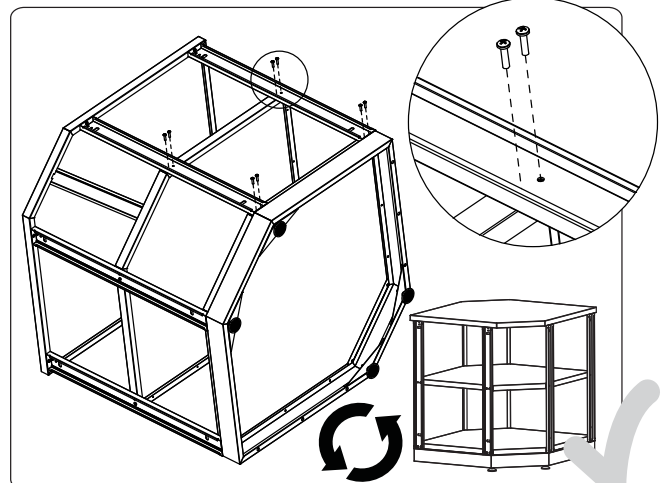
### **1** Attach 4 Levelers to 4 corner brackets with insert nuts.



### **3** Attach 2 uprights to assembly using 4x M4 x 10mm pan head bolts



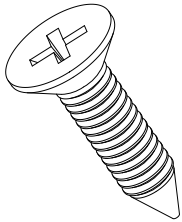
### **5** Repeat step 4 for 2 more vertical supports.



# Assembling the 90° Corner Cabinet

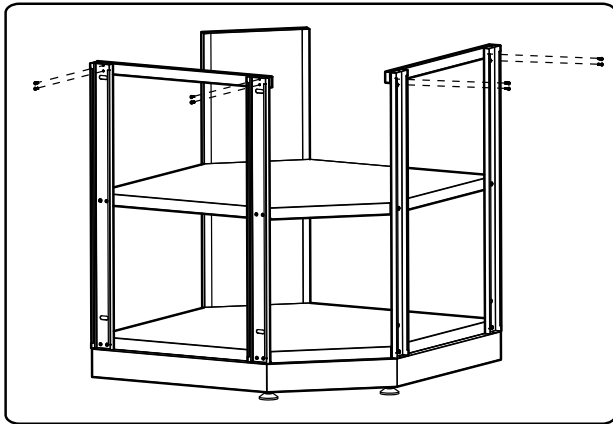
## Frame Assembly for Granite Top

### **i** Parts Needed

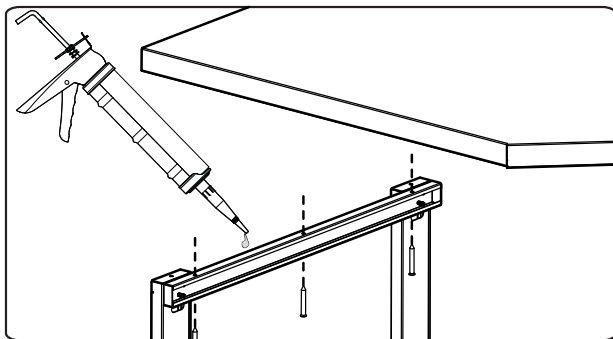


6 x Flat Head Wood  
Screw  
(ST 4.2-16 mm)

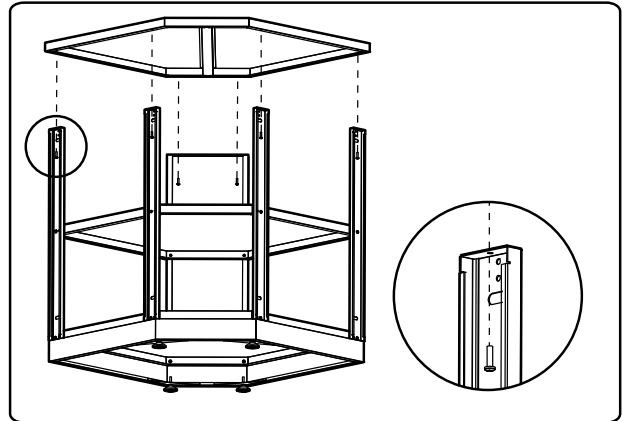
**2** Attach 2 included Granite rails using 4 x M4 X 10MM pan head bolts at top of supports.



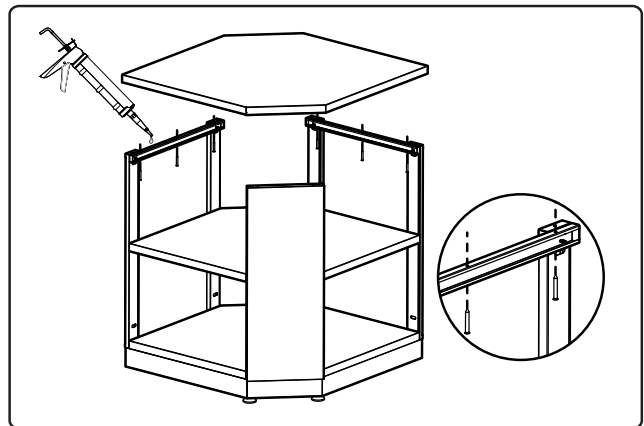
**4** Add silicone using 8 small dabs to hold top in place. Wipe up any extra silicone that seeps out during installation.



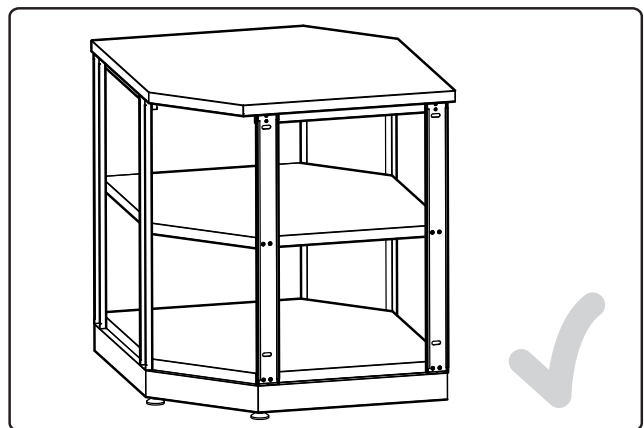
**1** Undo Stainless Steel Top by removing 6 x Pan head M4 X 10MM bolts



**3** Attach Granite corner top with 6 x ST 4.2-16 mm flat Head wood screws into Outdoor plywood granite backer.



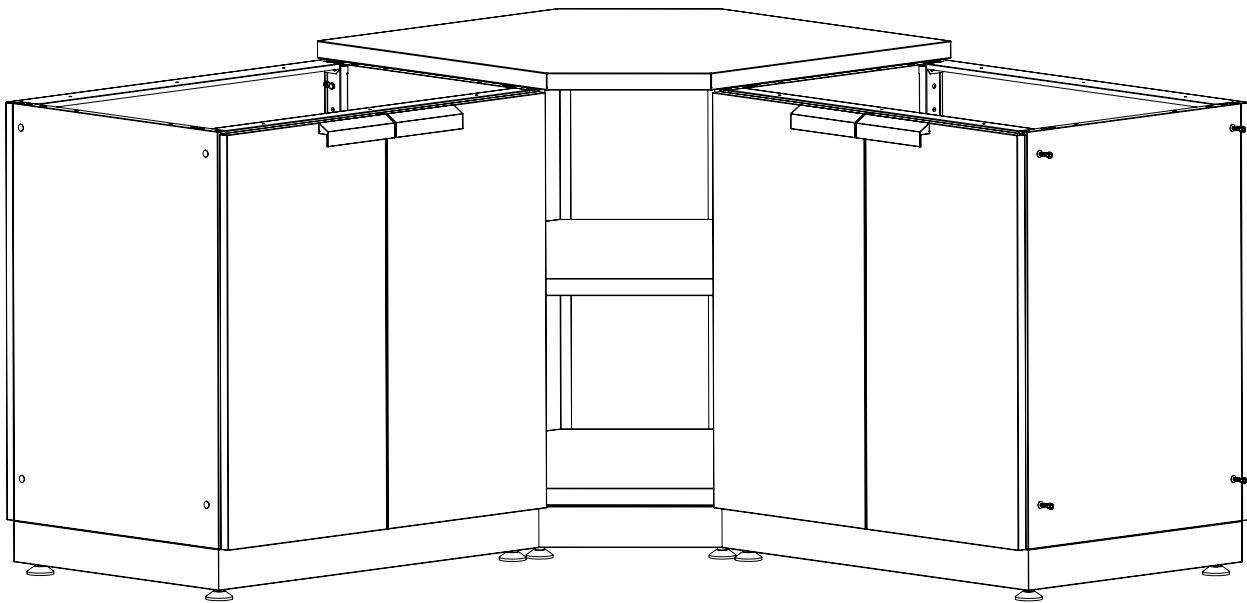
**5** Undo Stainless Steel Top by removing 6 x Pan head M4 X 10MM bolts



# Creating the 90° Corner

---

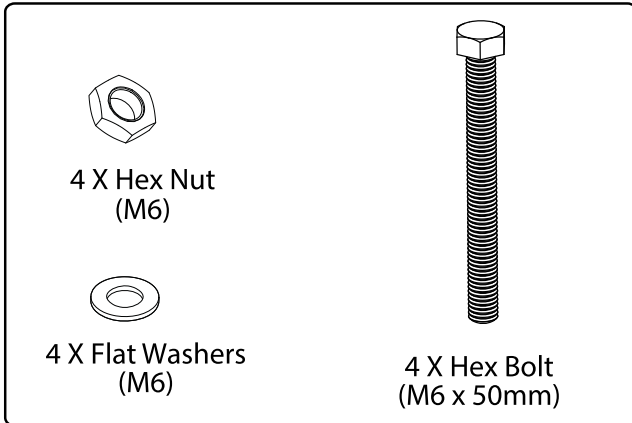
90° Corner Cabinet



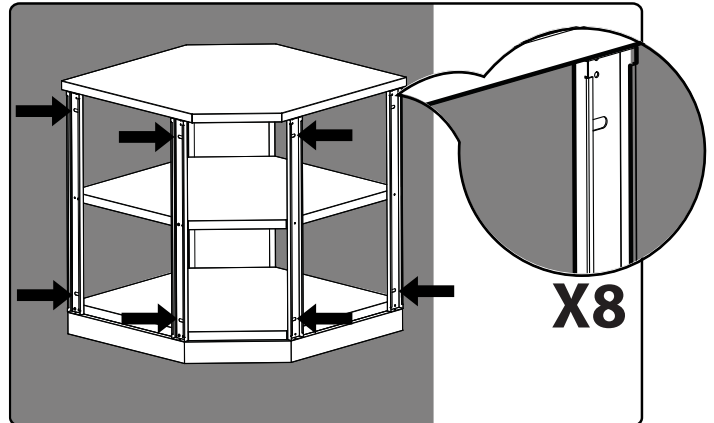
# Creating the 90° Corner

## Fastening the cabinets

### **i** Parts Needed

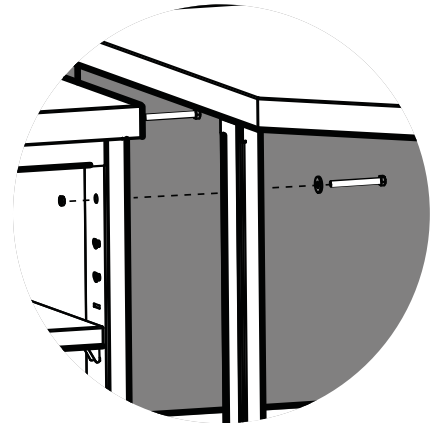
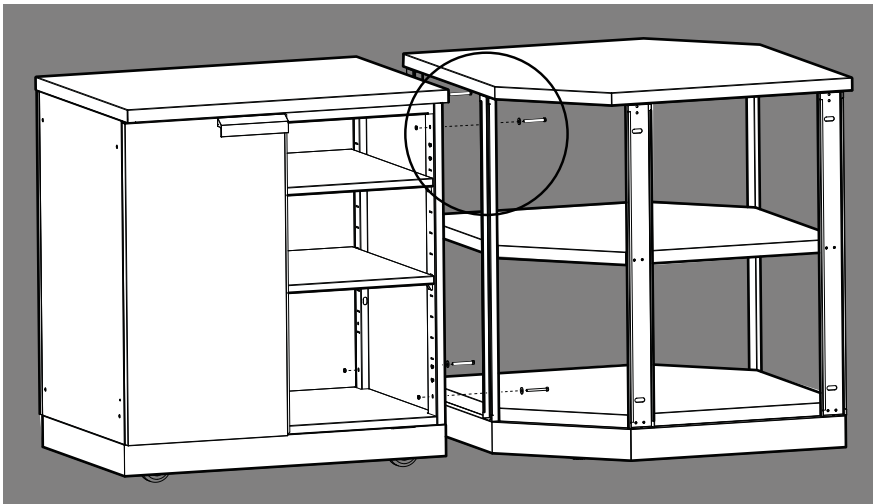


### **1** Locate bolt slots on upright supports.



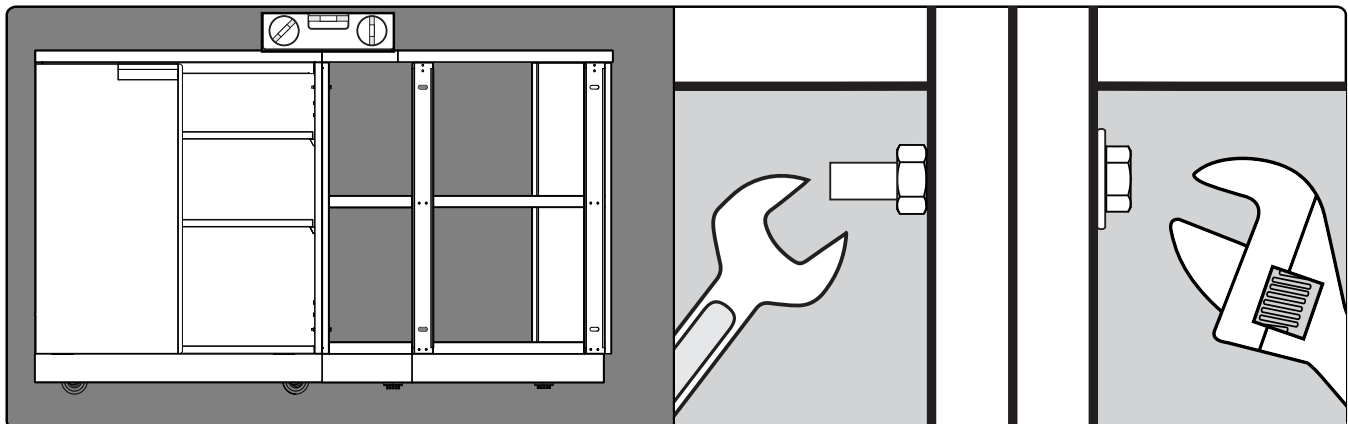
\*\*\* Door removed for ease of explanation \*\*\*

### **2** Align hole locations, put bolt and washer through holes and then tighten the nut lightly.



**X4**

### **3** Level cabinets and tighten all bolts.

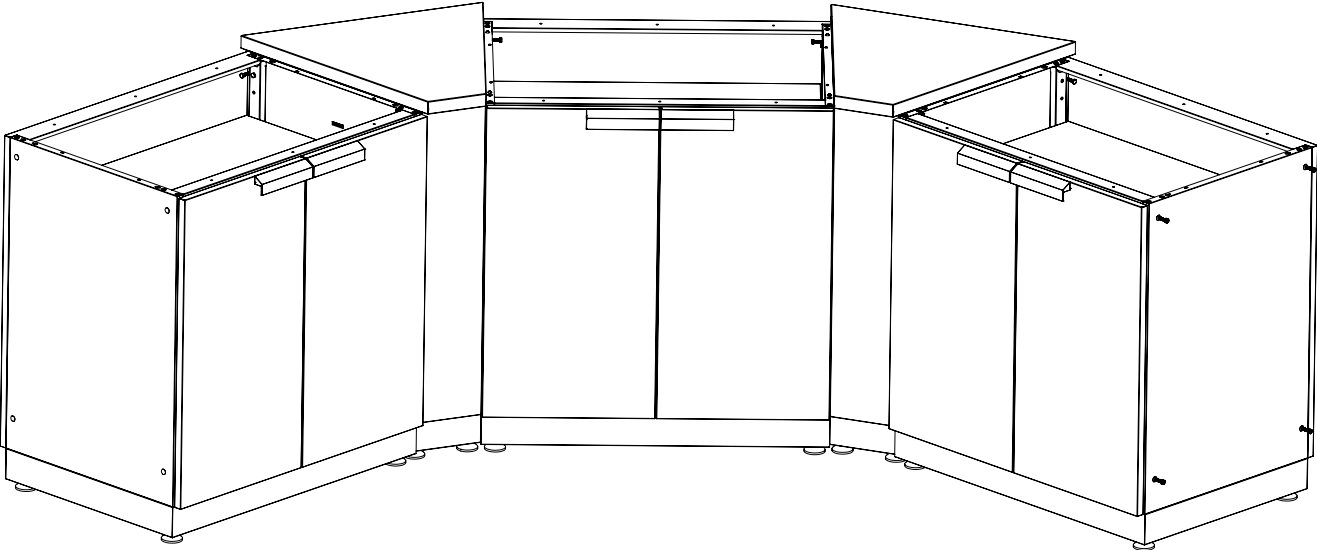


# Creating the 45° Corner

---

45° Corner Cabinet

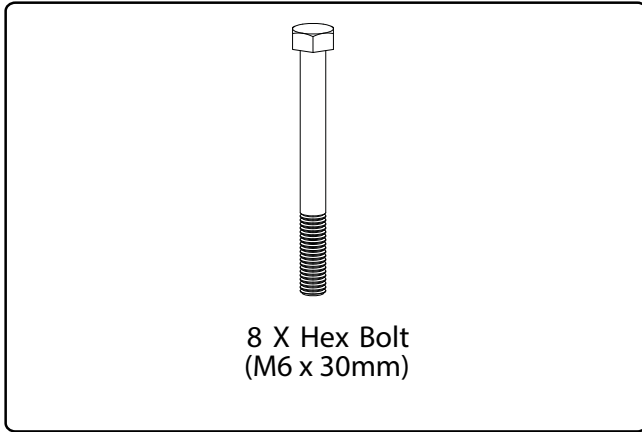
45° Corner Cabinet



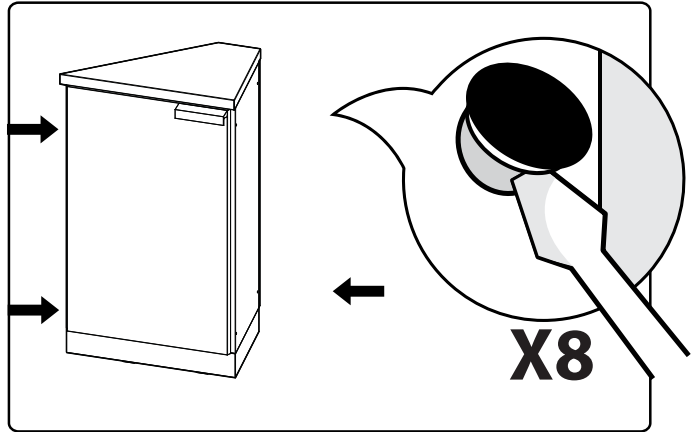
# Creating the 45° Corner

## Fastening the cabinets

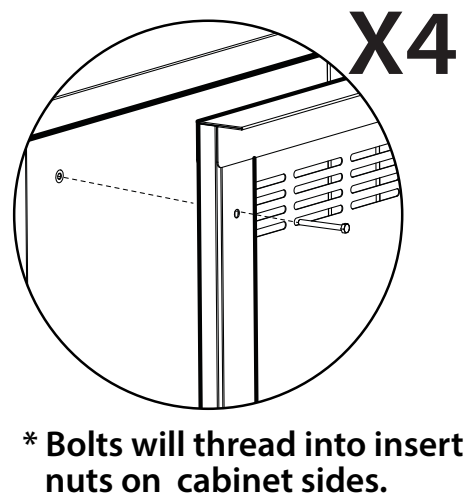
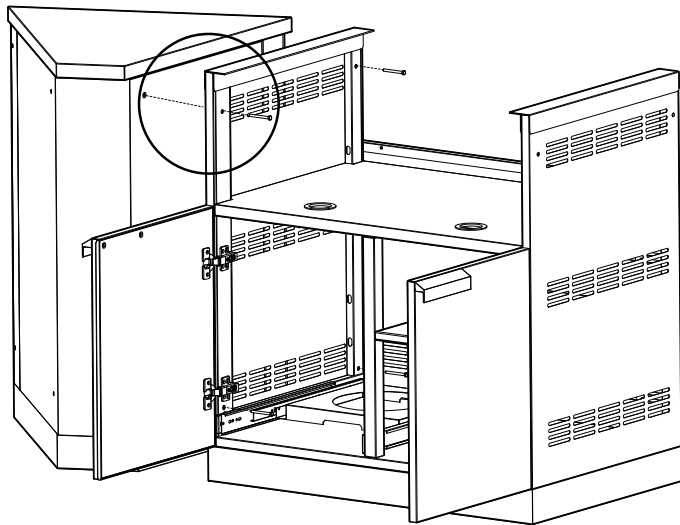
### **i** Parts Needed



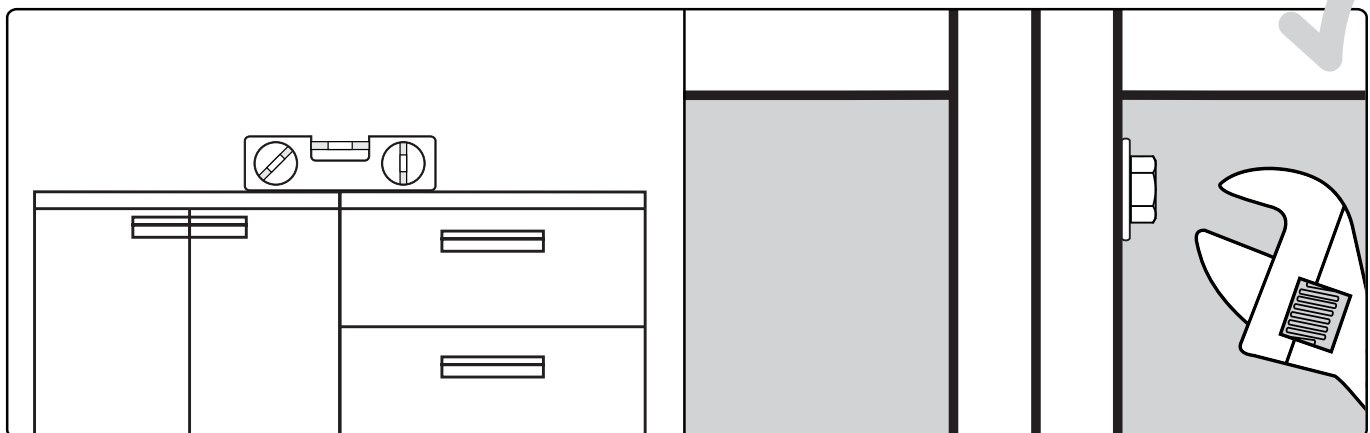
### **1** Remove plastic caps from the cabinet if installed.



### **2** Align bolts, tighten lightly.



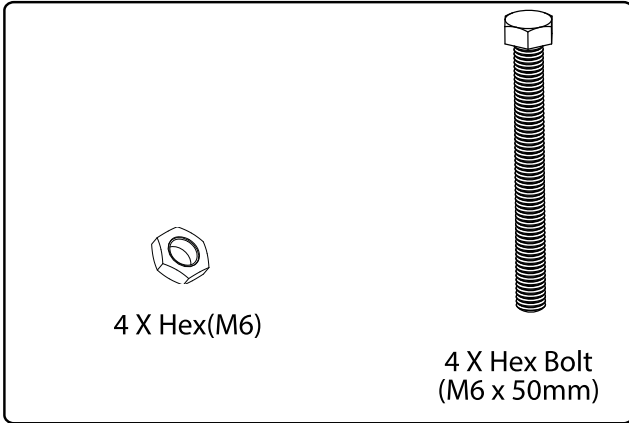
### **3** Level cabinets and tighten all bolts.



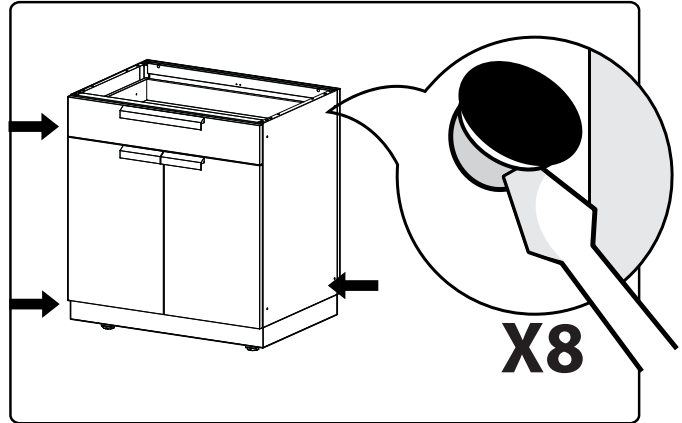
# Attaching the Cabinets

## Fastening the cabinets with each other


### Parts Needed

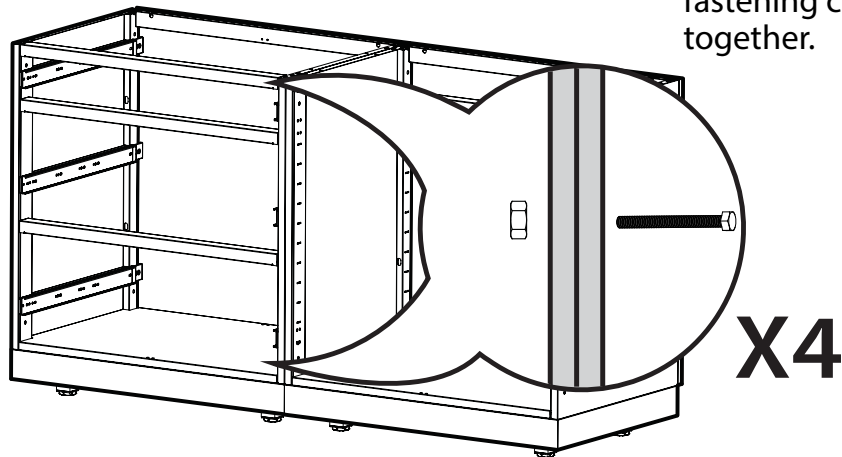


### **1** Remove plastic caps from the cabinets

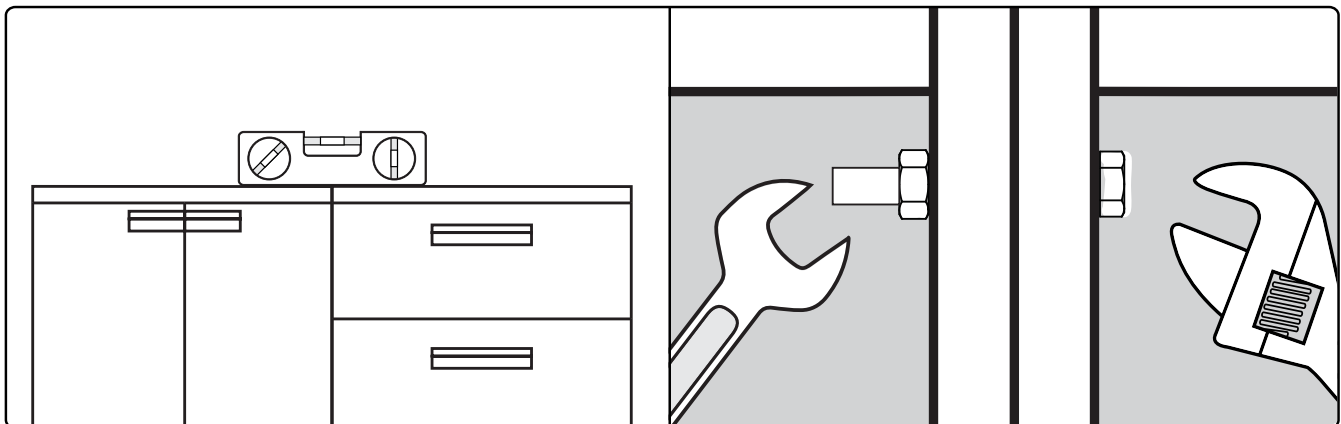


### **2** Align bolts, and tighten lightly.

 **NOTE:** All doors and drawers must be removed prior to fastening cabinets together.



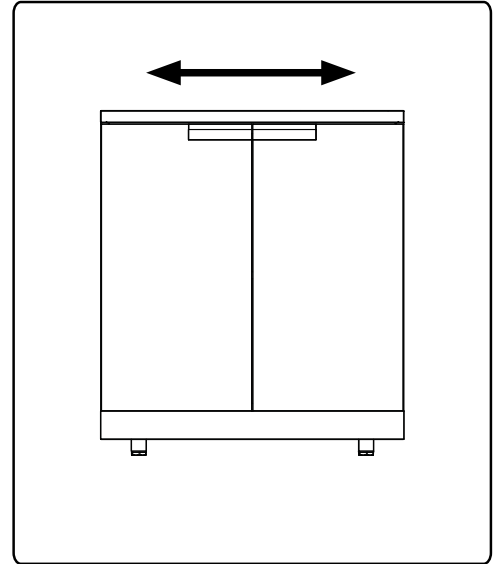
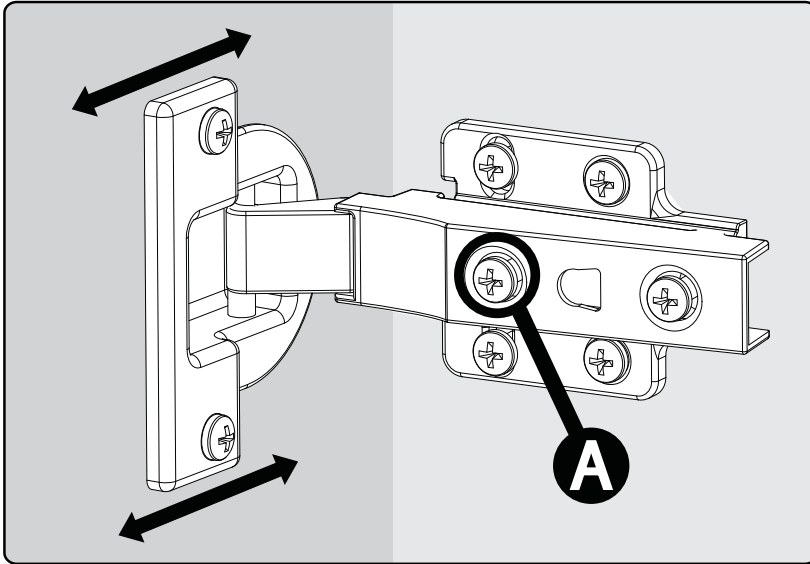
### **3** Level cabinets and tighten all fasteners.



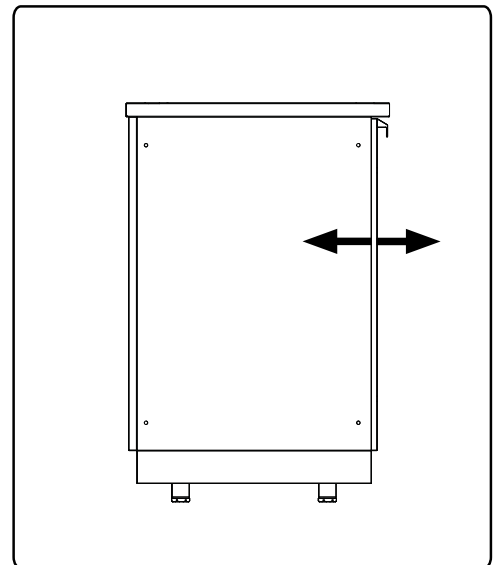
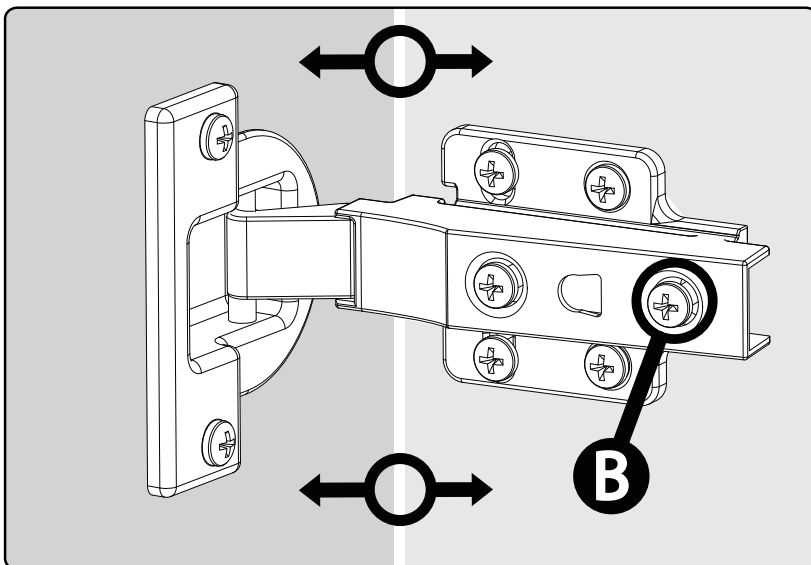
# Adjusting the Door Hinges

**i NOTE:** Using a Philips screwdriver, the doors can be adjusted:  
Left, right, forwards and backwards.

**1** To adjust the doors left or right, turn the screw (A) clockwise or counterclockwise.



**2** To adjust the gap between the doors and frame, turn the screw (B) clockwise or counterclockwise.



# Installing the Fridge brackets

---

## Classic Outdoor Kitchen Cabinets SS Fridge Bracket

| SKU   | Description   |
|-------|---|
| 67701 | Classic Outdoor Kitchen 24in. Fridge Bracket Assembly - Grove           |
| 67702 | Classic Outdoor Kitchen 24in. Fridge Bracket Assembly - Stainless Steel |
| 70539 | Classic Outdoor Kitchen 24in. Fridge Bracket Assembly - Matte Black     |

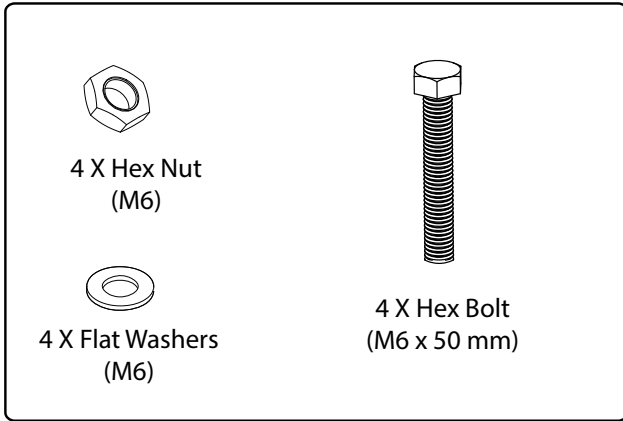
## Classic Outdoor Kitchen Cabinets Aluminum Fridge Bracket

| SKU   | Description  |
|-------|--|
| 67703 | Classic Outdoor Kitchen 24in. Fridge Bracket Assembly - Slate Gray |

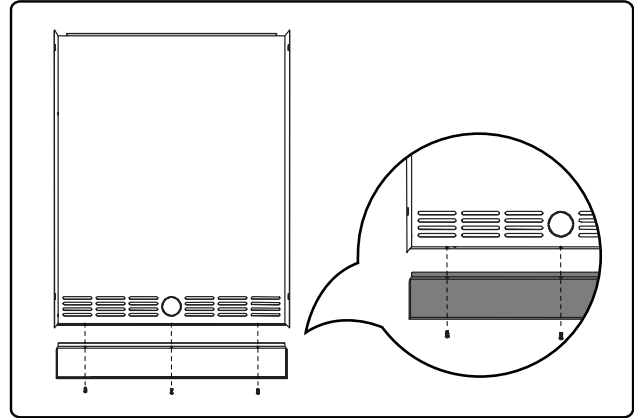
# Installing the Fridge brackets

## Fastening the Brackets

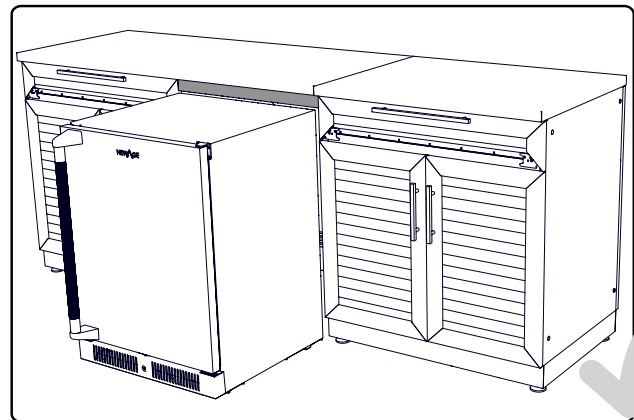
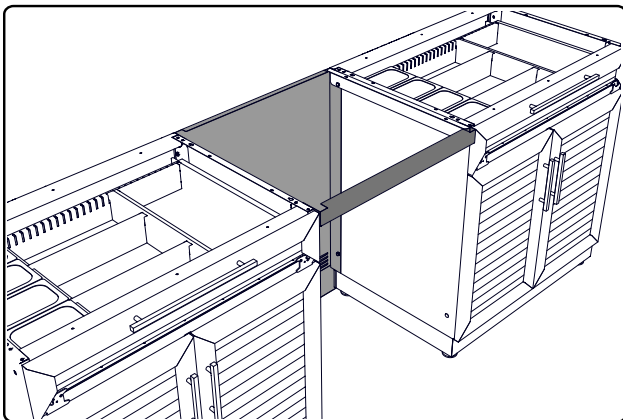
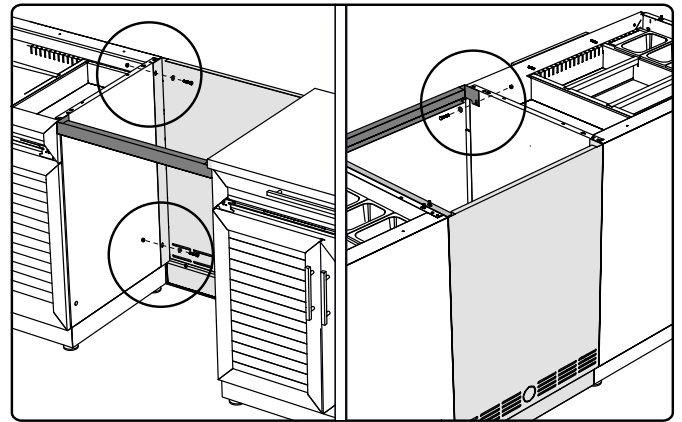
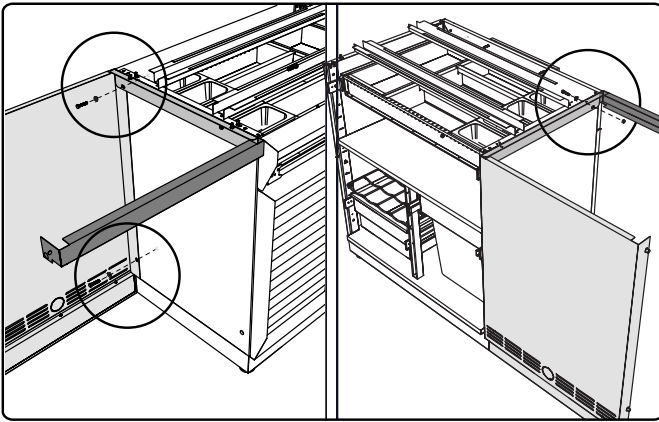
### **i** Parts Needed



### **1** Align hole locations, put bolt and through holes and then tighten the nut lightly.



### **2** To install the rear panel, front panel and countertop L-bracket, align hole locations, put bolt through holes and then tighten the nut lightly.



# Installing the Countertops

## Classic Outdoor Kitchen Cabinets SS Worktop

| SKU   | Description                                   |
|-------|---|
| 65800 | Classic Outdoor Kitchen Cabinets 32in Worktop |
| 65801 | Classic Outdoor Kitchen Cabinets 56in Worktop |
| 65802 | Classic Outdoor Kitchen Cabinets 64in Worktop |
| 65804 | Classic Outdoor Kitchen Cabinets 96in Worktop |
| 89038 | Classic Outdoor Kitchen Cabinets 16in Worktop |

## Worktops



16" Worktop. Fits over 1 Cabinet



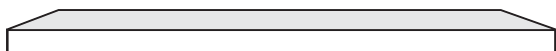
32" Worktop. Fits over 1 Cabinet



56" Worktop. Fits over 1 Cabinet & Fridge nook.



64" Worktop. Fits over 2 Cabinets



96" Worktop. Fits over 3 Cabinets

## Classic Outdoor Kitchen Cabinets Granite Countertop

| SKU   | Description   |
|-------|---|
| 89121 | Classic Outdoor Kitchen Cabinets 32in Black Galaxy Granite Countertop |
| 89122 | Classic Outdoor Kitchen Cabinets 56in Black Galaxy Granite Countertop |
| 89123 | Classic Outdoor Kitchen Cabinets 64in Black Galaxy Granite Countertop |
| 89138 | Classic Outdoor Kitchen Granite 16 in. Countertop - Black Galaxy      |

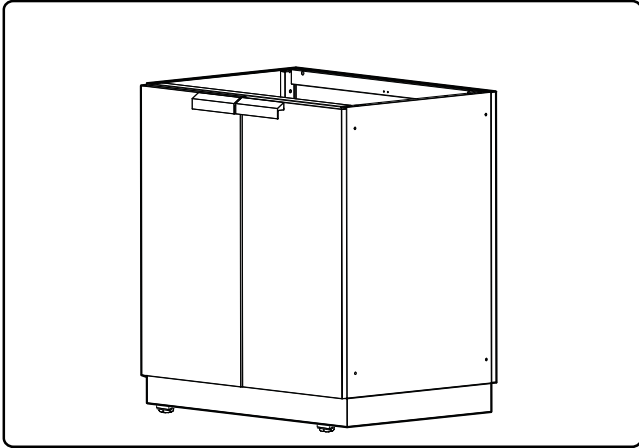
## Classic Outdoor Kitchen Cabinets Engineered Stone Countertop

| SKU   | Description  |
|-------|--|
| 89040 | Classic Outdoor Kitchen Engineered Stone 16 in. Countertop - Nano Black          |
| 89041 | Classic Outdoor Kitchen Engineered Stone 16 in. Countertop - Saga Gray           |
| 87100 | Engineered Stone Countertop - Classic Series Outdoor Kitchen - 32 in. Nano Black |
| 87101 | Engineered Stone Countertop - Classic Series Outdoor Kitchen - 56 in. Nano Black |
| 87102 | Engineered Stone Countertop - Classic Series Outdoor Kitchen - 64 in. Nano Black |
| 87120 | Engineered Stone Countertop - Classic Series Outdoor Kitchen - 32 in. Saga Gray  |
| 87121 | Engineered Stone Countertop - Classic Series Outdoor Kitchen - 56 in. Saga Gray  |
| 87122 | Engineered Stone Countertop - Classic Series Outdoor Kitchen - 64 in. Saga Gray  |

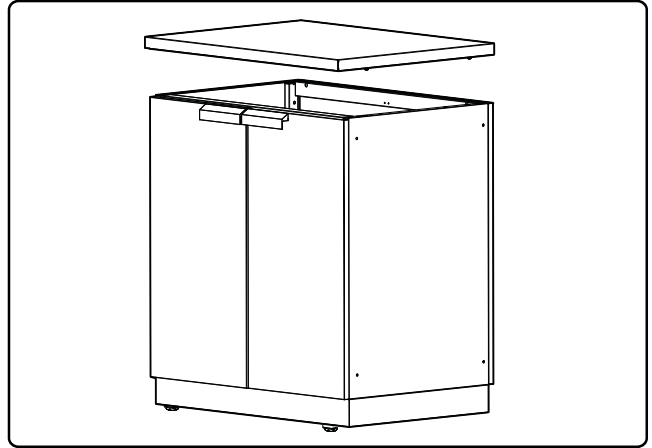
# Installing the Countertops

## Mounting the SS Worktop on Cabinets

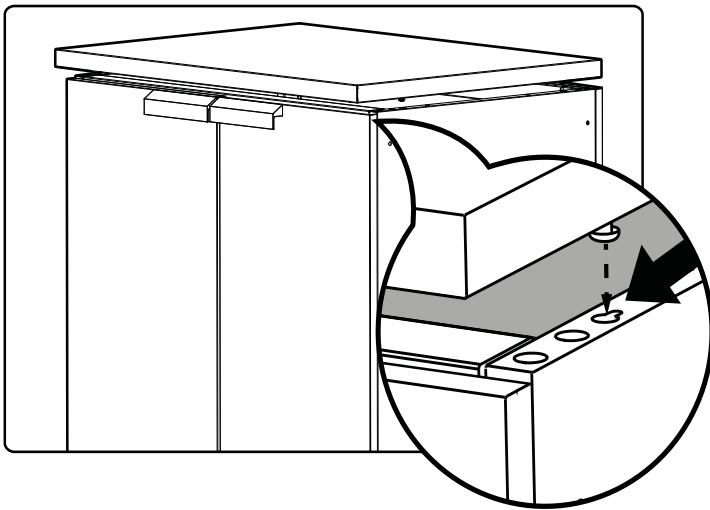
**1** Stand cabinet upright.



**2** Place worktop over cabinets.



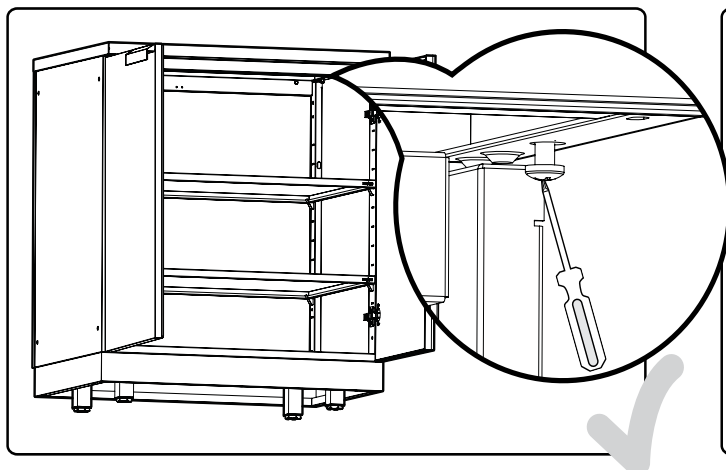
**3** Insert the worktop bolt heads into the keyhole shape slots.



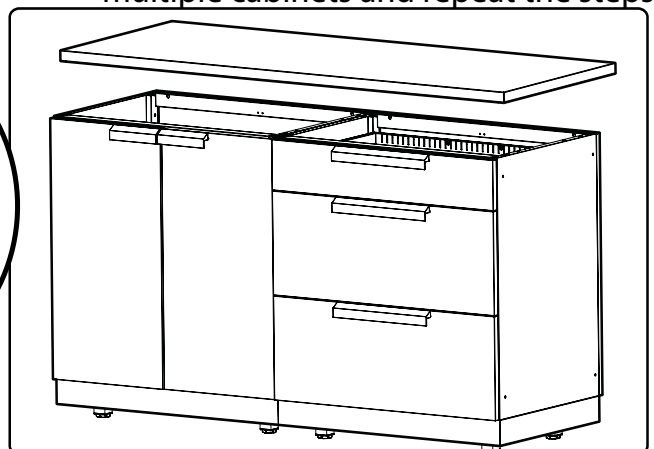
**4** Push worktop in to lock.



**5** Tighten screws to secure cabinets.



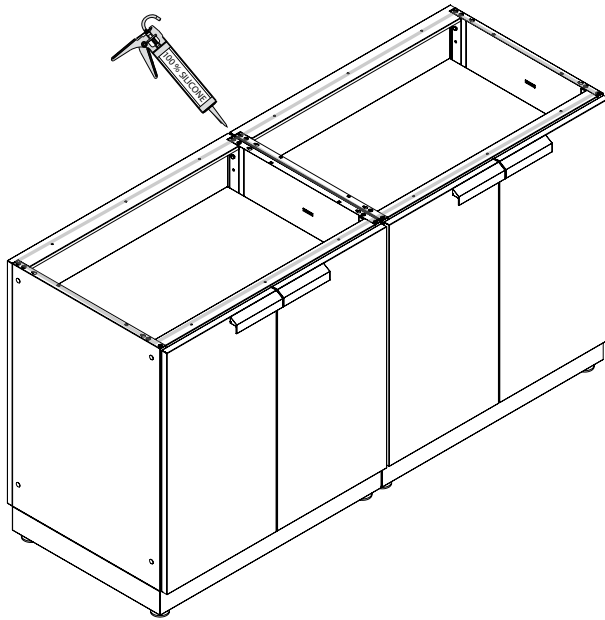
**6** Insert the worktop bolt heads into the keyhole shape slots for the worktops on multiple cabinets and repeat the steps.



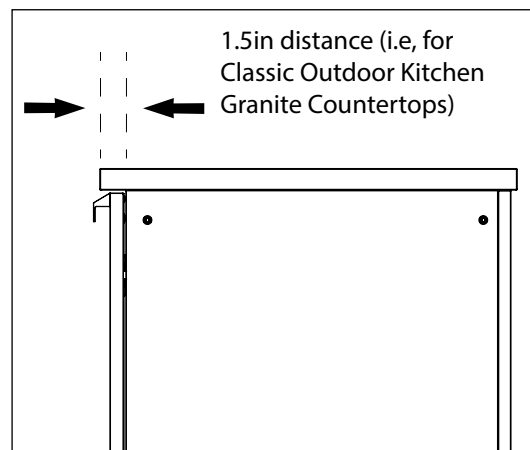
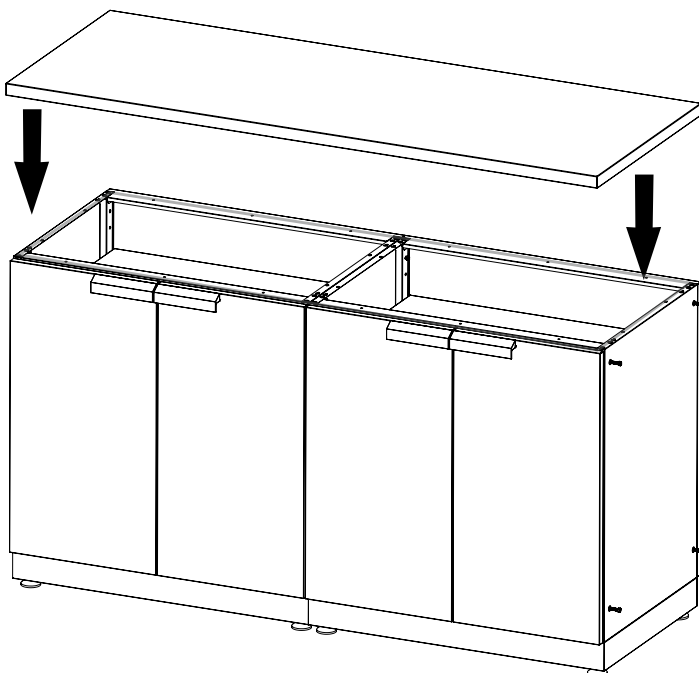
# Installing the Countertops

## Mounting the Granite Countertops on Cabinets

- 1 Using a caulking gun with 100% silicone (not included), apply a bead of Silicone on the top panel of the cabinets



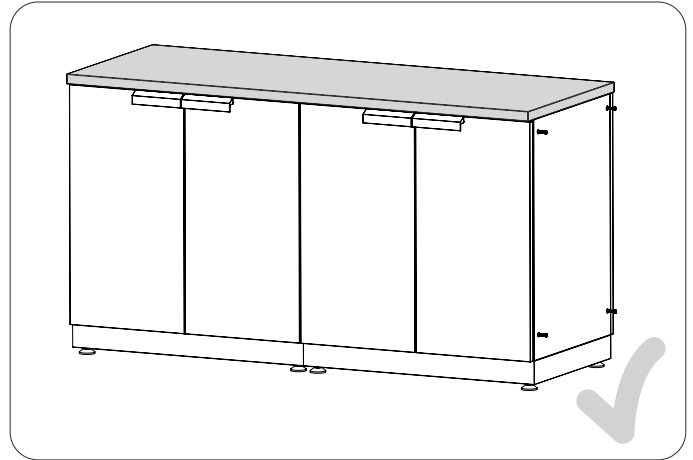
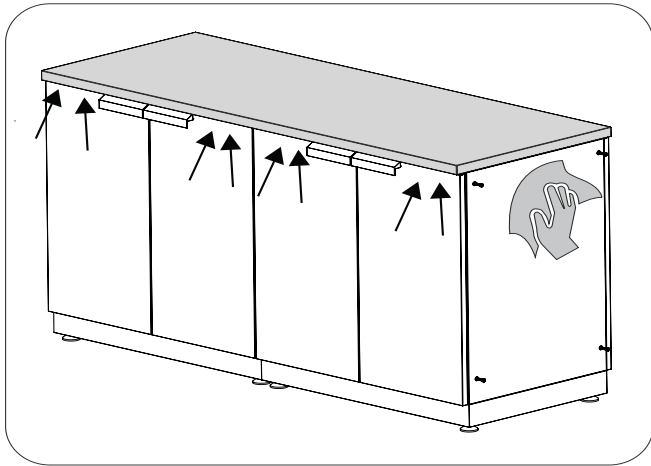
- 2 Using two people, lift countertop carefully. Align the front edge of the granite top to the front edge of the cabinets with a 1.5in offset and then slowly place it on top.



# Installing the Countertops

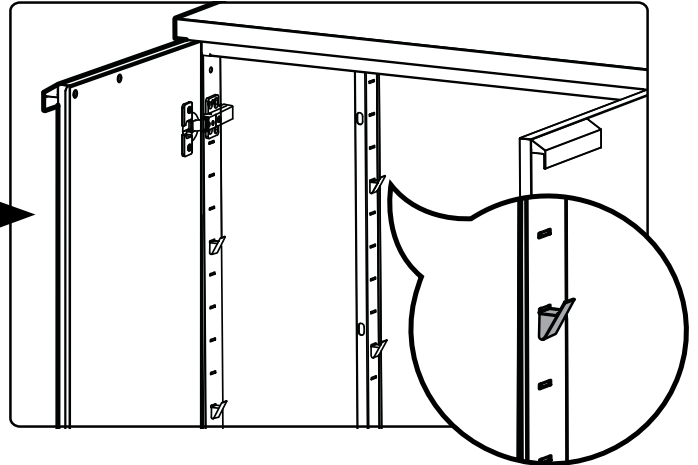
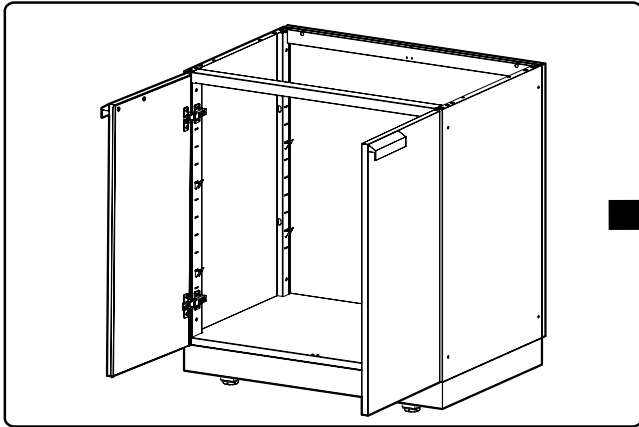
## Mounting the Granite Countertops on Cabinets

- 3** Using a wet cloth, wipe away any excess silicone along joint between countertop and cabinet.  
Follow the silicone manufacturers instructions for dry time.

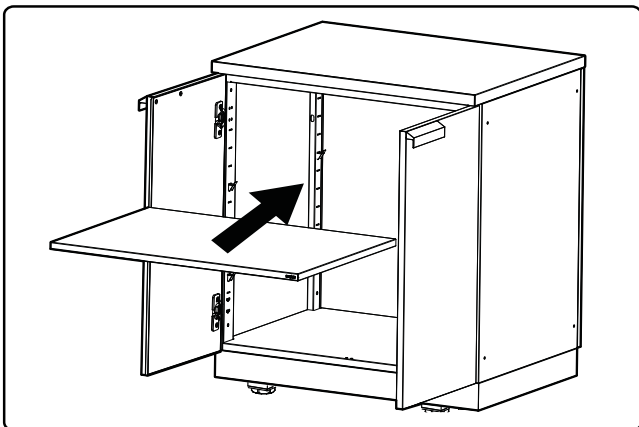


# Inserting Cabinet Shelves

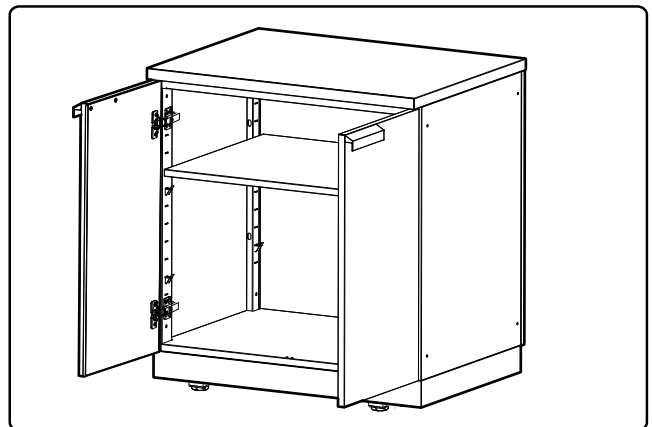
- 1** Open cabinet doors. Attach shelf clips to desired height.



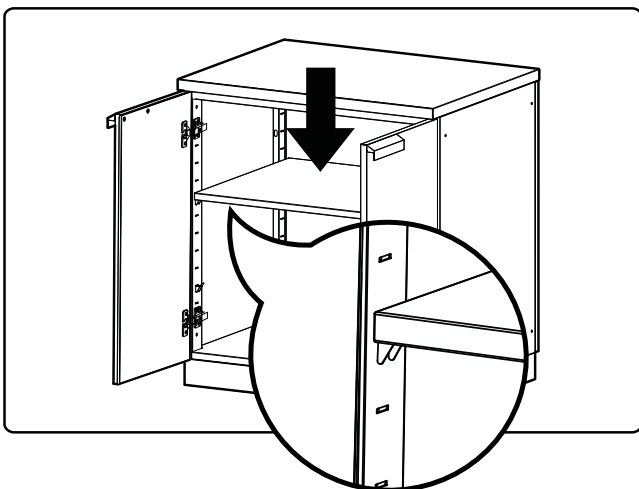
- 2** Begin by leveling the shelf.



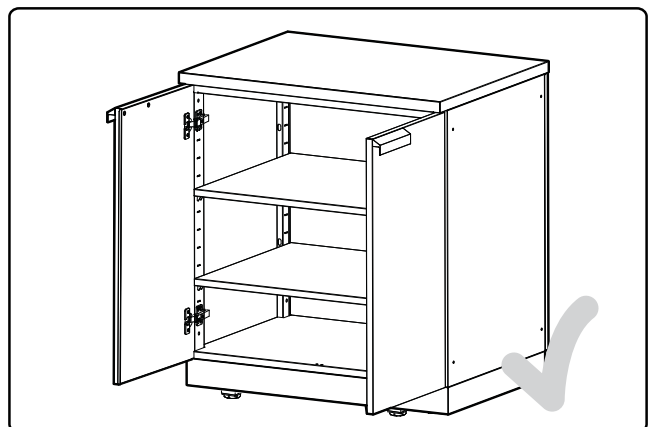
- 3** Insert and position the shelf above the shelf clips.



- 4** Lower the shelf down onto the shelf clips



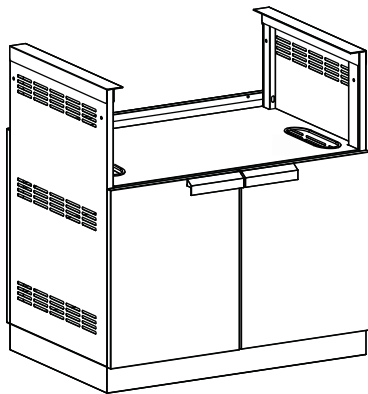
- 5** Install the remaining shelves.



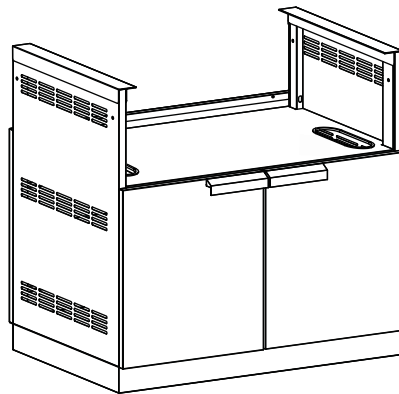
# Installing NewAge Insert Grills



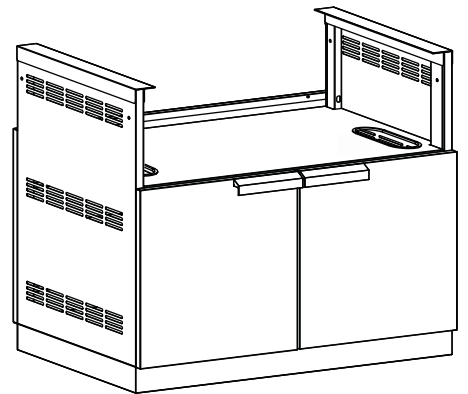
The following instructions apply to the cabinets below



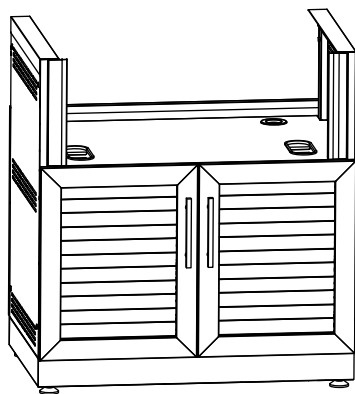
33" Insert Grill Cabinet  
SKU# 65047  
SKU# 70007



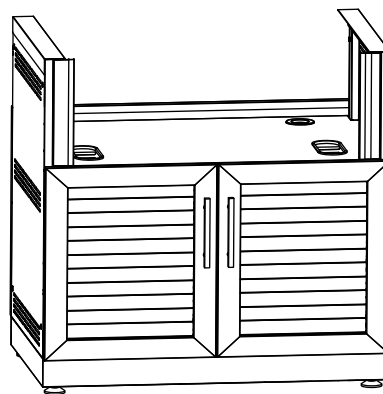
36" Insert Grill Cabinet  
SKU# 65048  
SKU# 70008



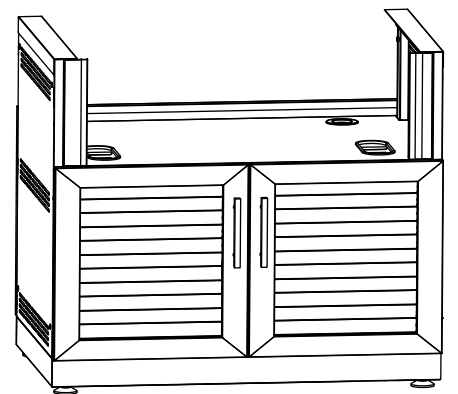
40" Insert Grill Cabinet  
SKU# 65049  
SKU# 70009



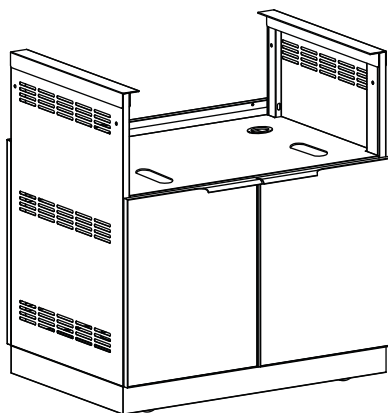
33" Insert Grill Cabinet  
SKU# 65630  
SKU# 70108



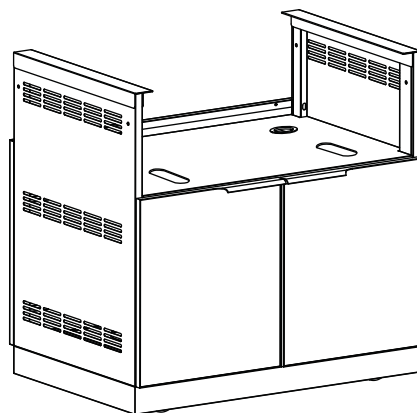
36" Insert Grill Cabinet  
SKU# 65631  
SKU# 70107



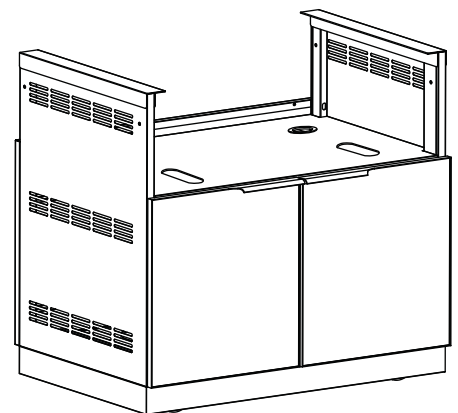
40" Insert Grill Cabinet  
SKU# 65632  
SKU# 70109



33" Insert Grill Cabinet  
SKU# 65230  
SKU# 70208



36" Insert Grill Cabinet  
SKU# 65231  
SKU# 70206

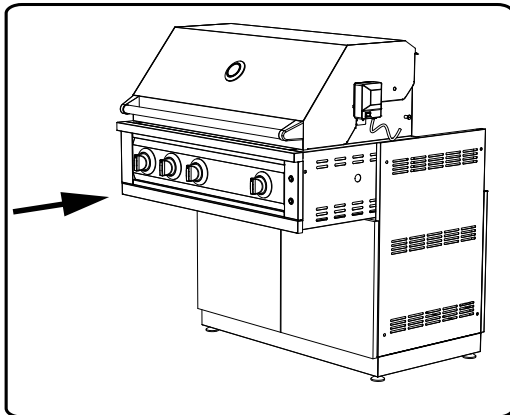


40" Insert Grill Cabinet  
SKU# 65232  
SKU# 70207

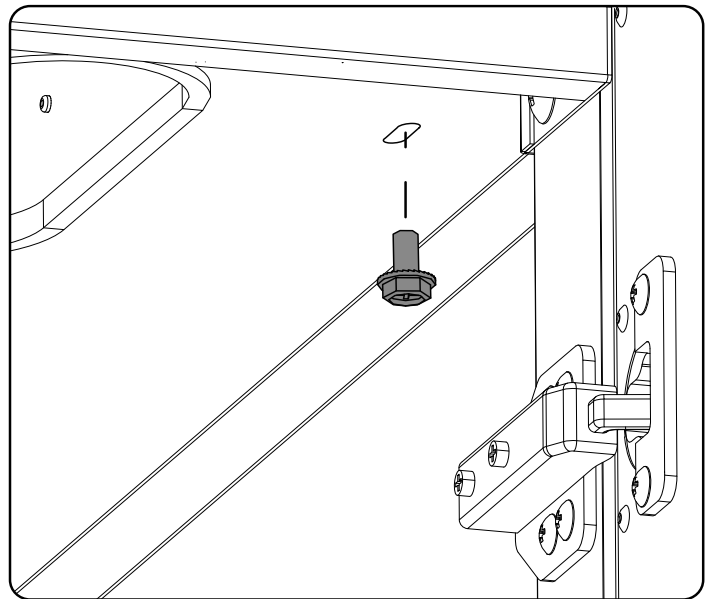
# Installing NewAge Insert Grills

## Mounting the NewAge Insert Grills on Cabinets

**1** Place grill onto the cabinet

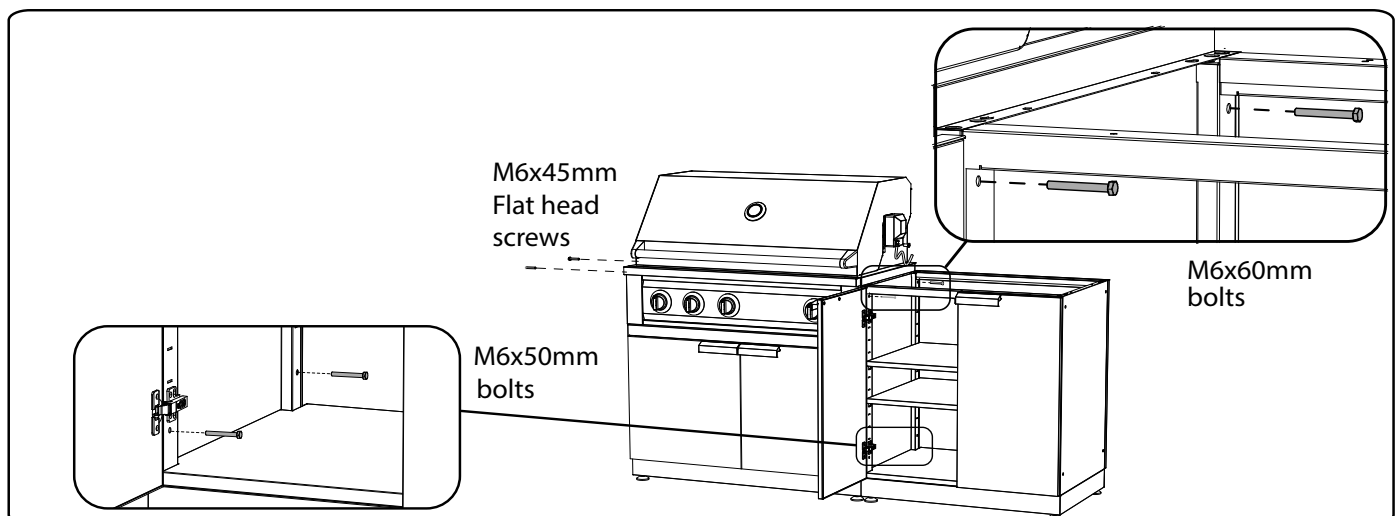


**2** Secure grill to cabinet by inserting two M6X12 Flange hex head screws (supplied with Cabinet) that line up with insert nuts on the bottom side of the grill.



## Installing Grill on Grill cabinet attached to other cabinets

**3** To add an additional cabinet, attach both the cabinets using two M6x60mm bolts through top mounting holes and two M6x50mm through bottom mounting holes. Follow same to install additional cabinet on other side, else use two flat head screws to secure grill to cabinet on open end.



**i Note:** For more details please refer NewAge Grill Install Manual supplied with grill for installing NewAge Grill on Cabinet.