
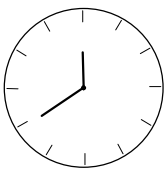
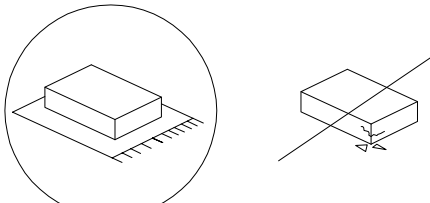

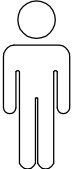
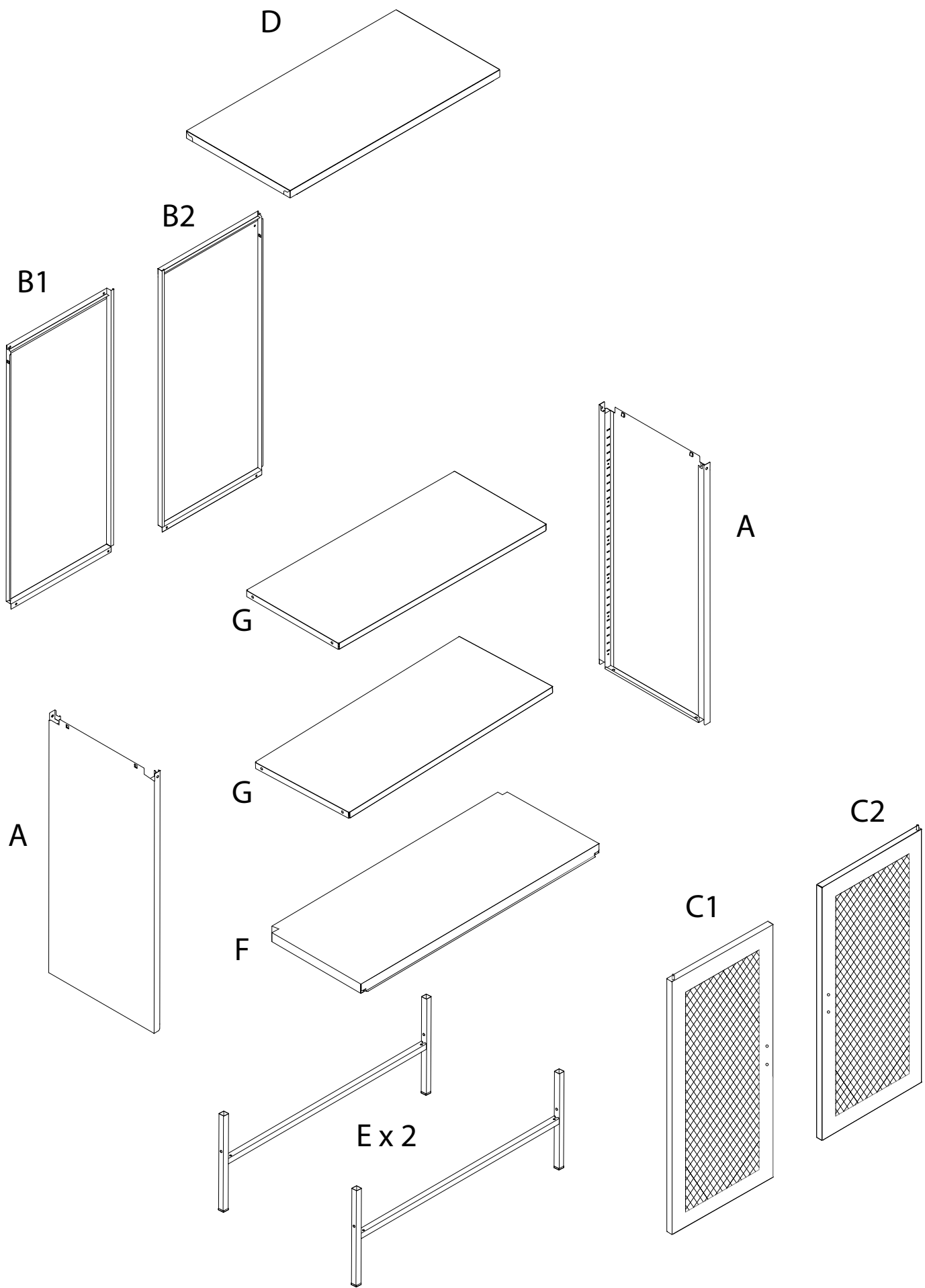
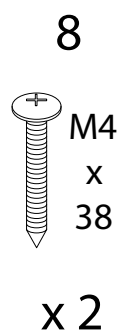
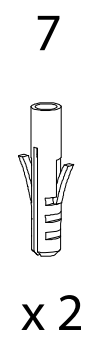
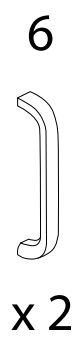
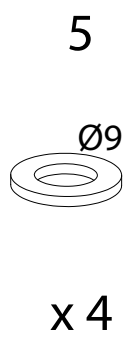
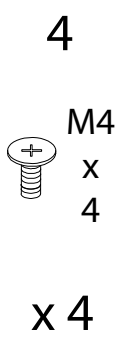
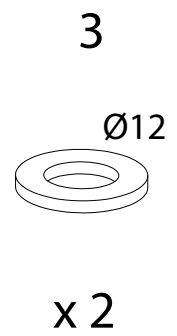
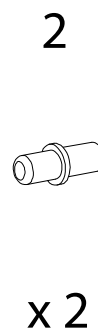
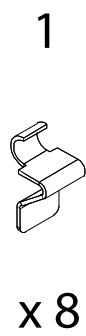
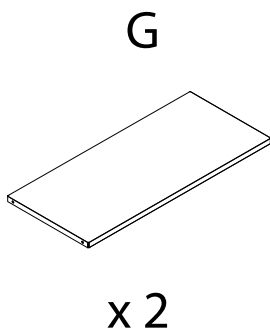
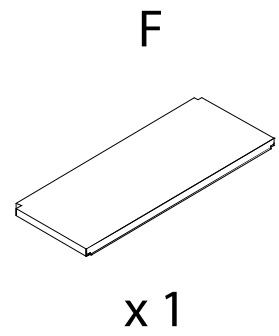
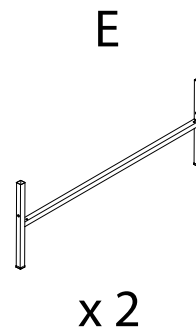
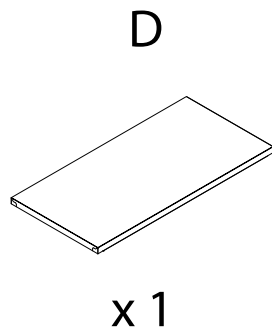
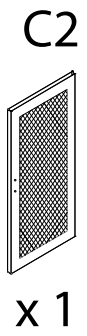
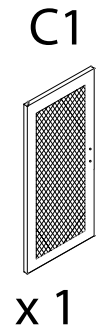
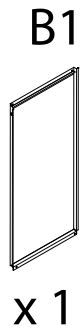
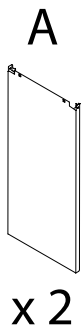
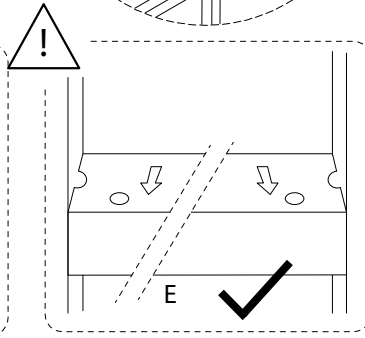
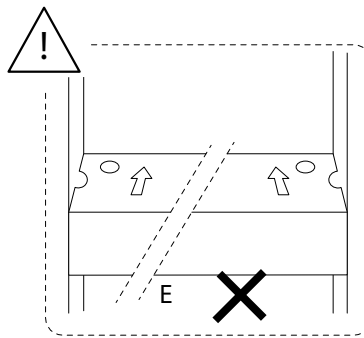
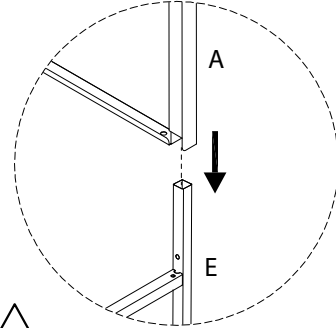
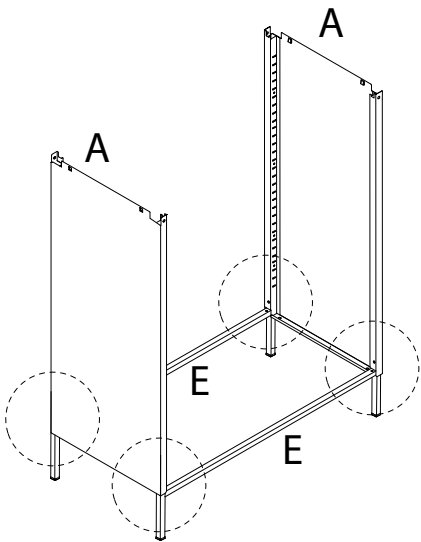
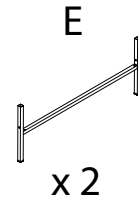
 A circular icon containing a screwdriver. To its right is a power drill with a diagonal line through it, indicating it should not be used.		
 A circular icon showing a rectangular block on a mat. To its right is a rectangular block on a floor with a diagonal line through it, indicating it should not be placed on the floor.		
		40'
		1

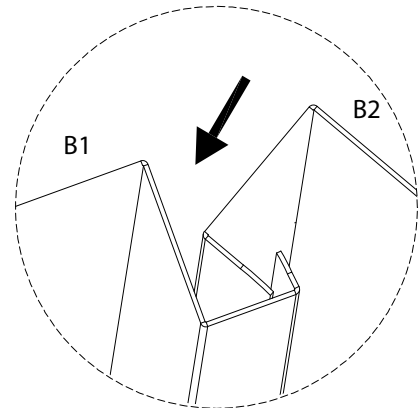
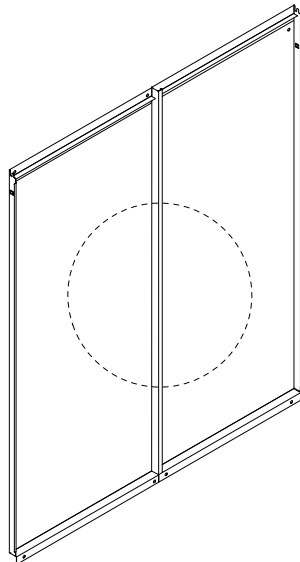




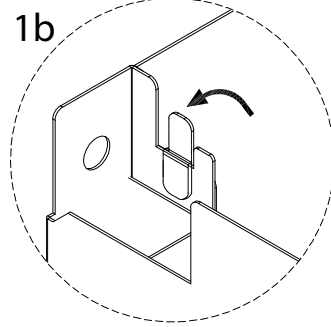
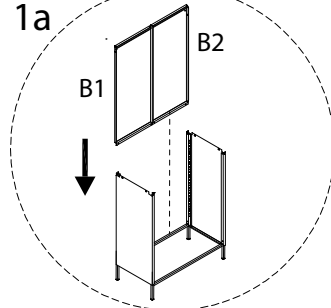
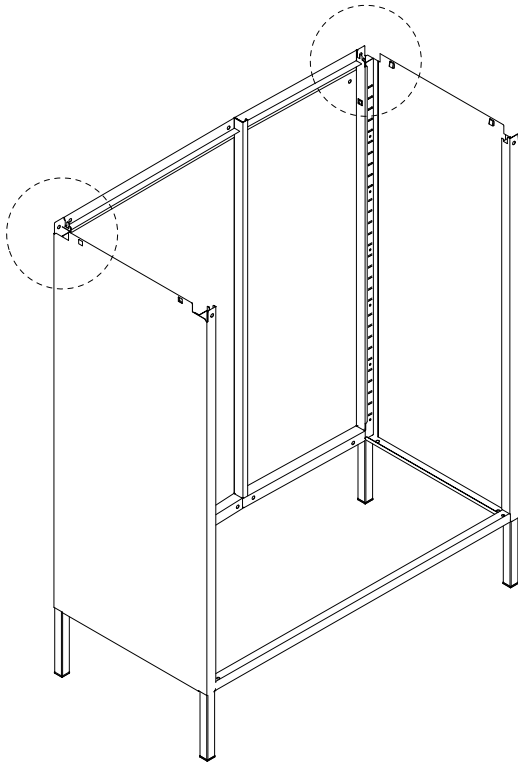
1



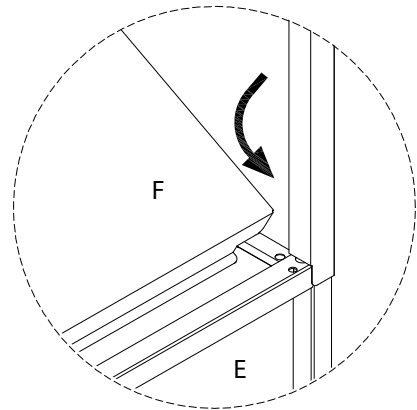
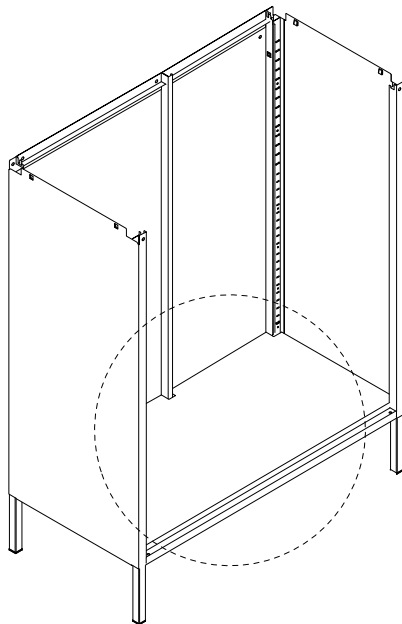
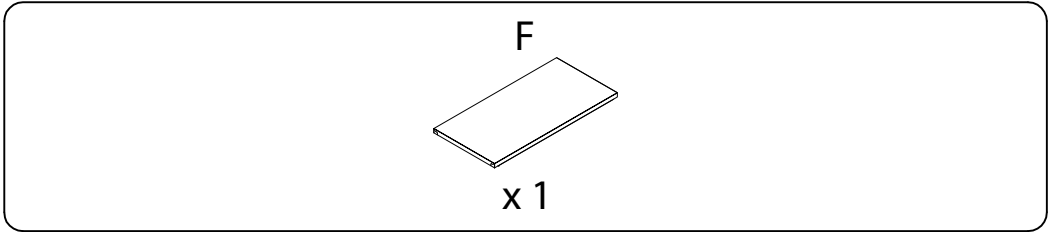
2



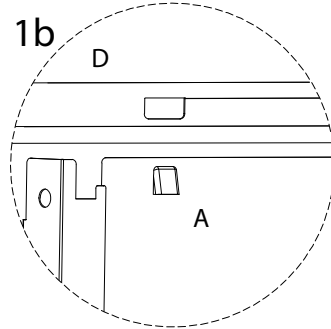
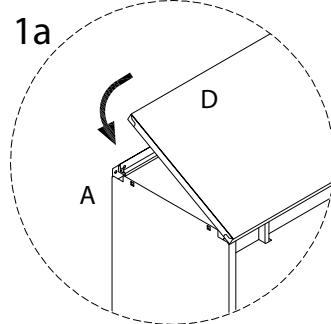
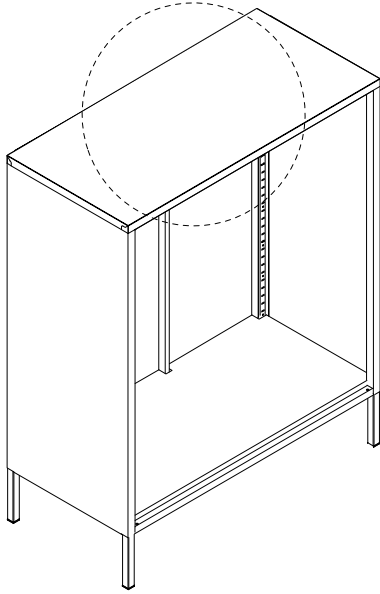
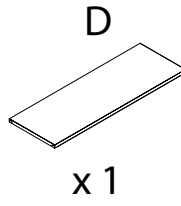
3



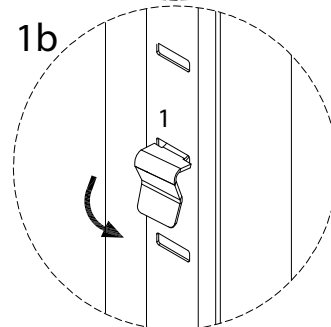
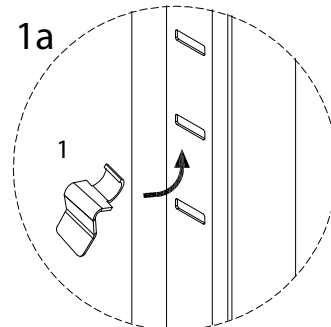
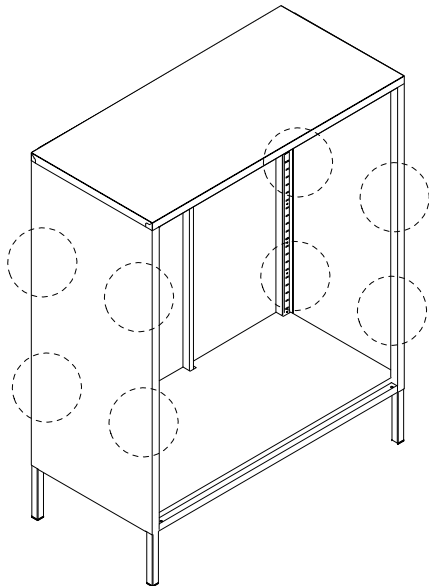
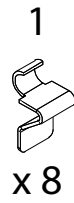
4



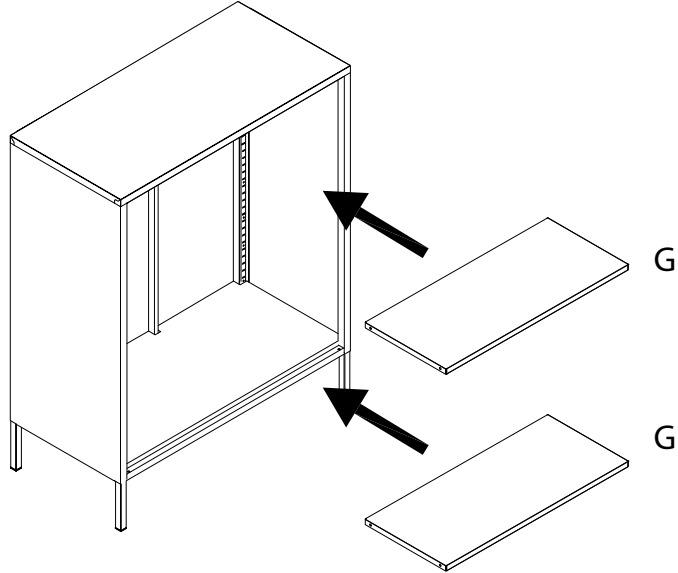
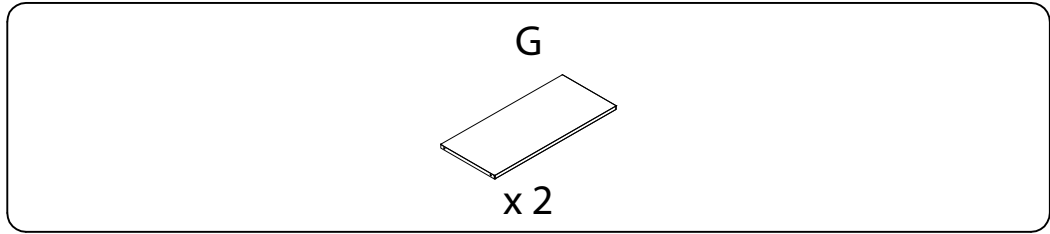
5



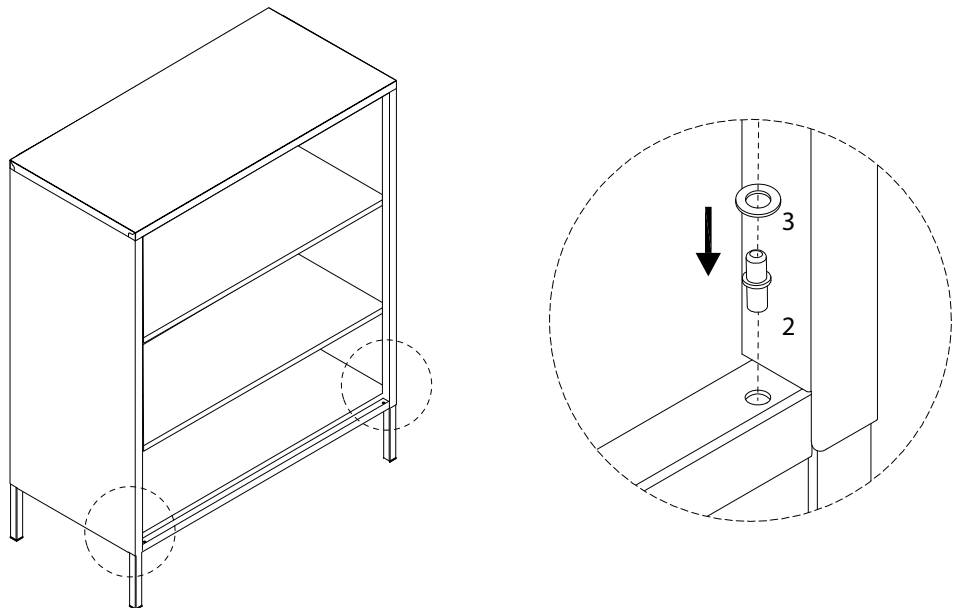
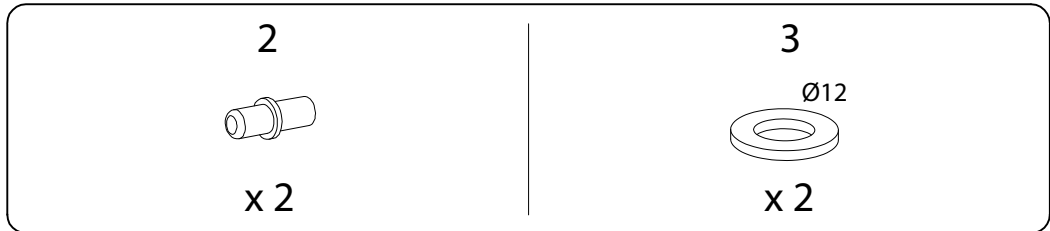
6



7



8



9

C1

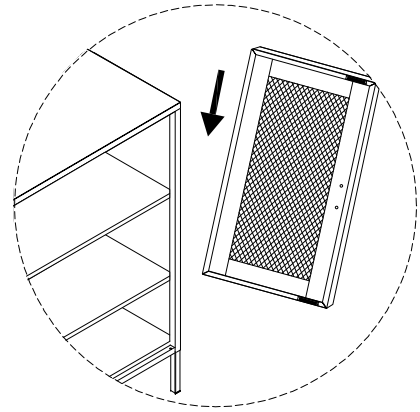
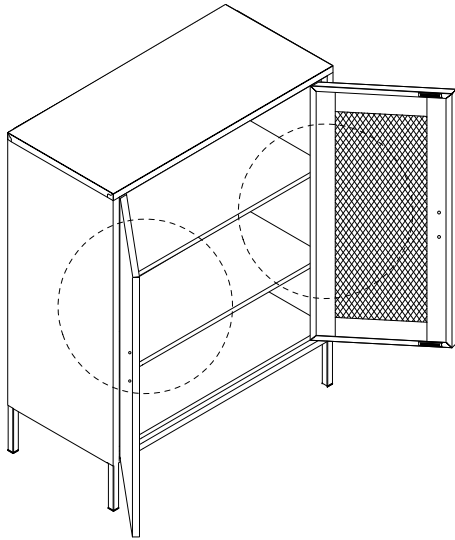


x 2

C2



x 2



10

4



x 4

5

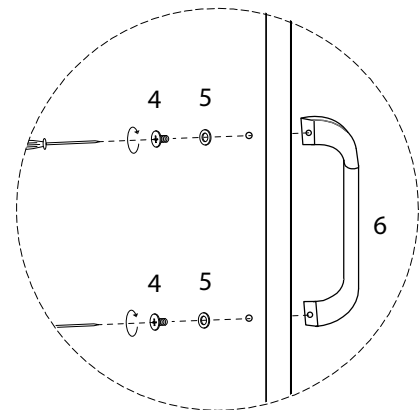
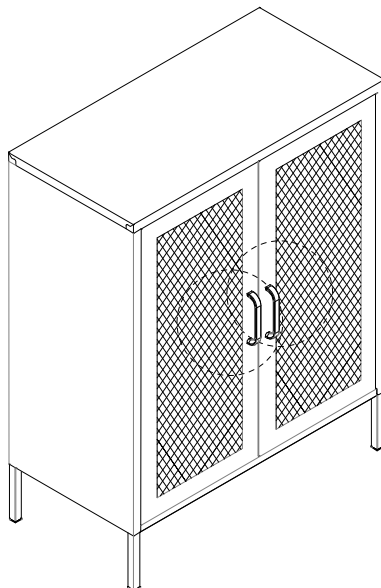


x 4

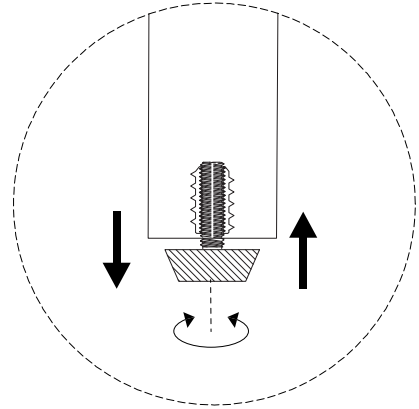
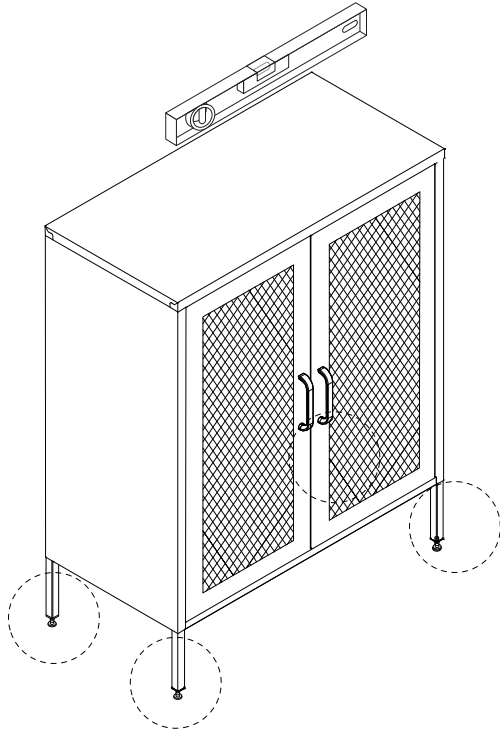
6



x 2



11



12

