

# BRAXTON CULLER

## Assembly Instructions

MODEL NO. : 0846 TWIN BED/QUEEN BED/KING BED

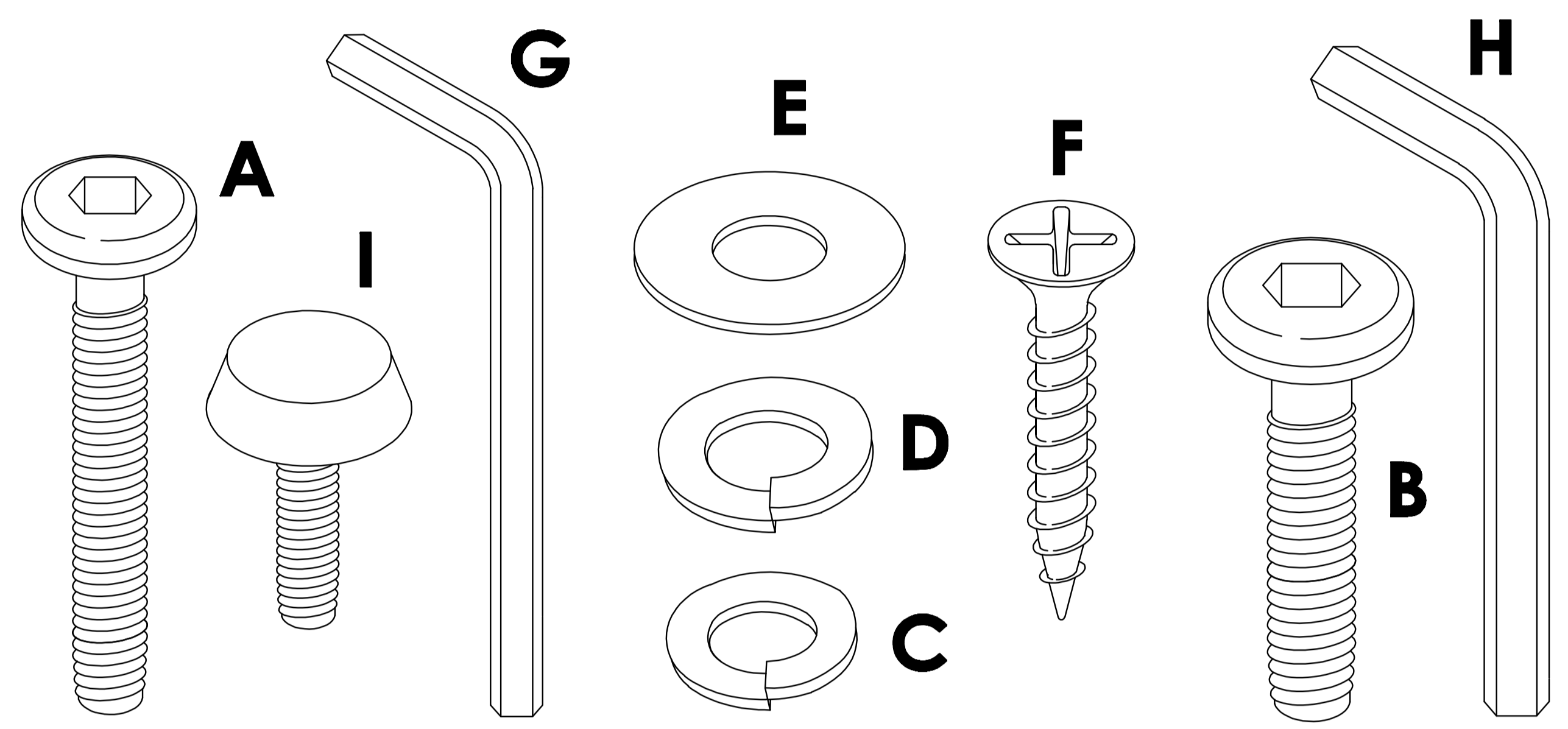
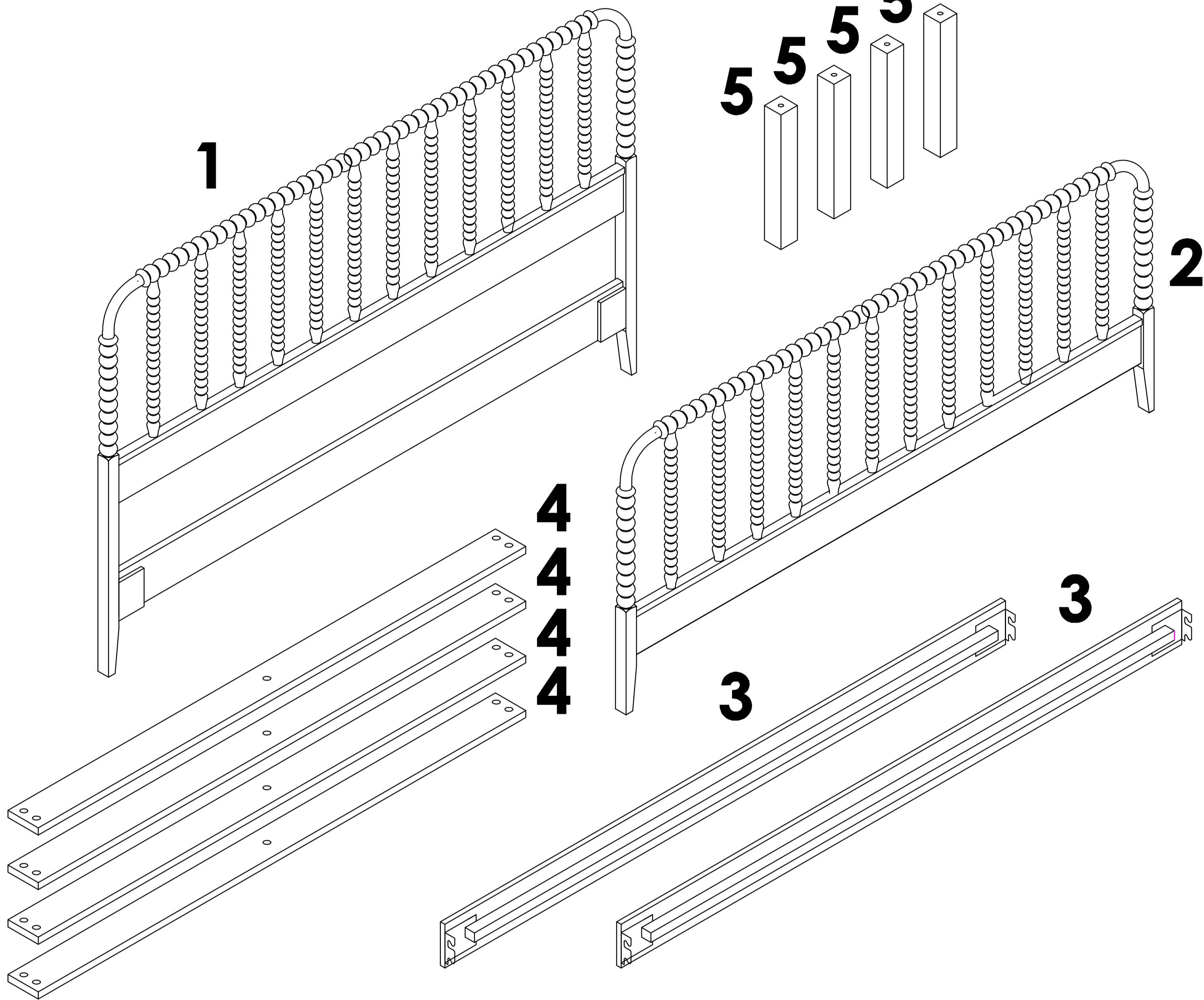
• Thank you for purchasing Emerald Home Furnishing product. This product has been designed for easy assembly and constructed for durability. Please take the time to read and follow the assembly instructions carefully.

### PARTS LIST :

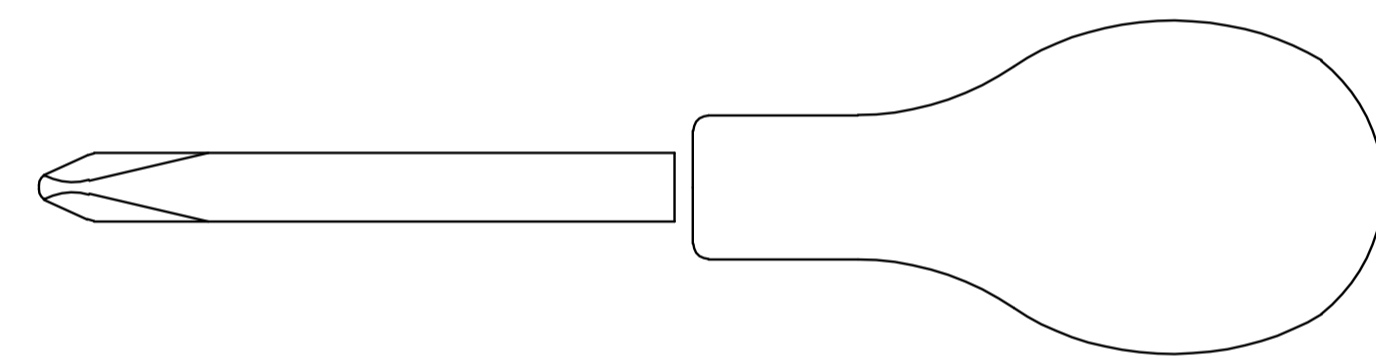
1	HEAD BOARD ASSEMBLY	1 PC.
2	FOOT BOARD ASSEMBLY	1 PC.
3	SIDE RAIL	2 PCS.
4	MATTRESS SLAT	4 PCS.
5	CENTER SUPPORT	4 PCS.

### HARDWARE LIST :

A	SMALL HEAD JCBC SCREW-M6x40MM	4 PCS.
B	BIG HEAD JCBC SCREW-M8x20MM	8 PCS.
C	SMALL SPRING WASHER-1/4"	4 PCS.
D	BIG SPRING WASHER-5/16"	8 PCS.
E	FLAT WASHER-5/16"	8 PCS.
F	WOOD SCREW-M4x32MM	16 PCS.
G	SMALL ALLEN KEY-M4	1 PC.
H	BIG ALLEN KEY-M5	1 PC.
I	ADJUSTABLE GLIDE	4 PCS.



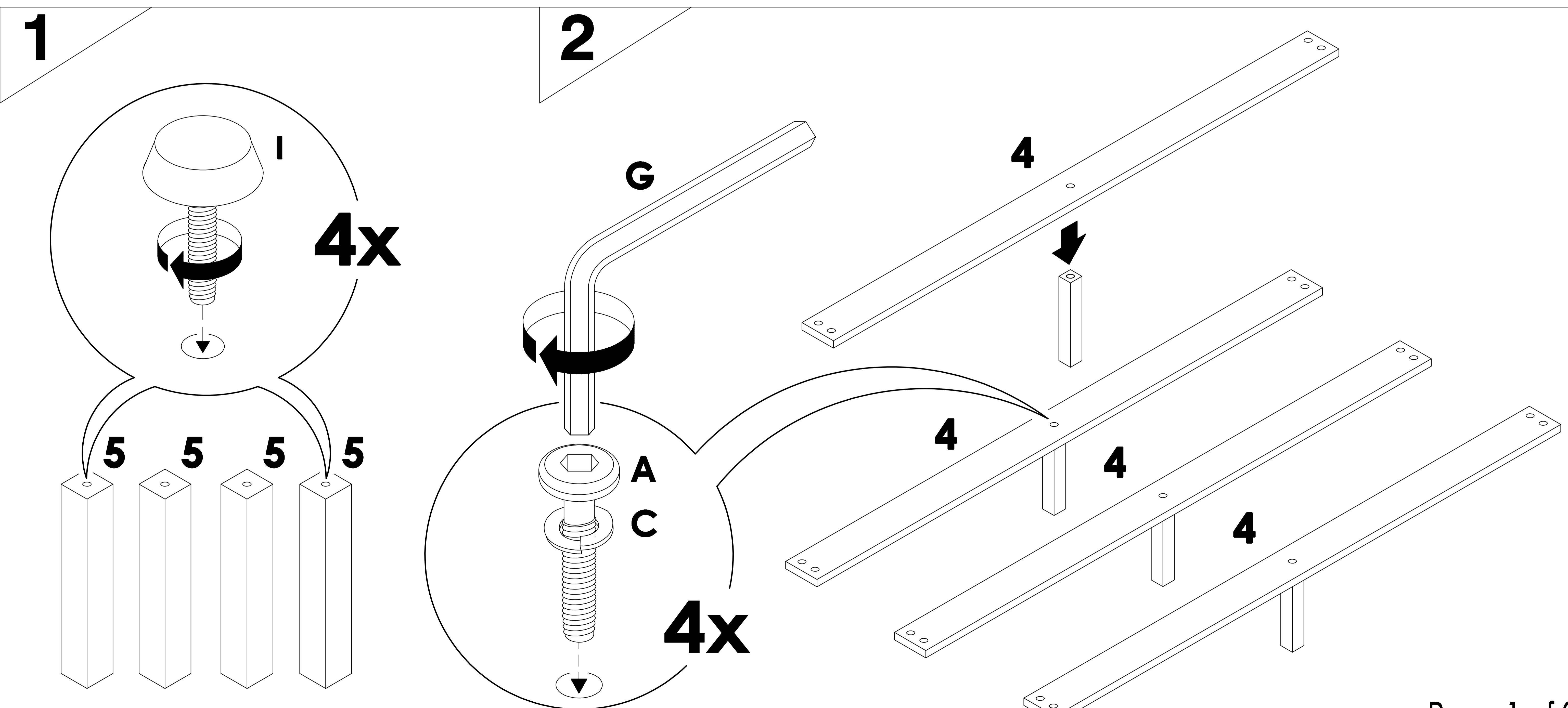
### TOOLS REQUIRED (NOT INCLUDED) :



Philip Head Screw Driver

### IMPORTANT NOTE :

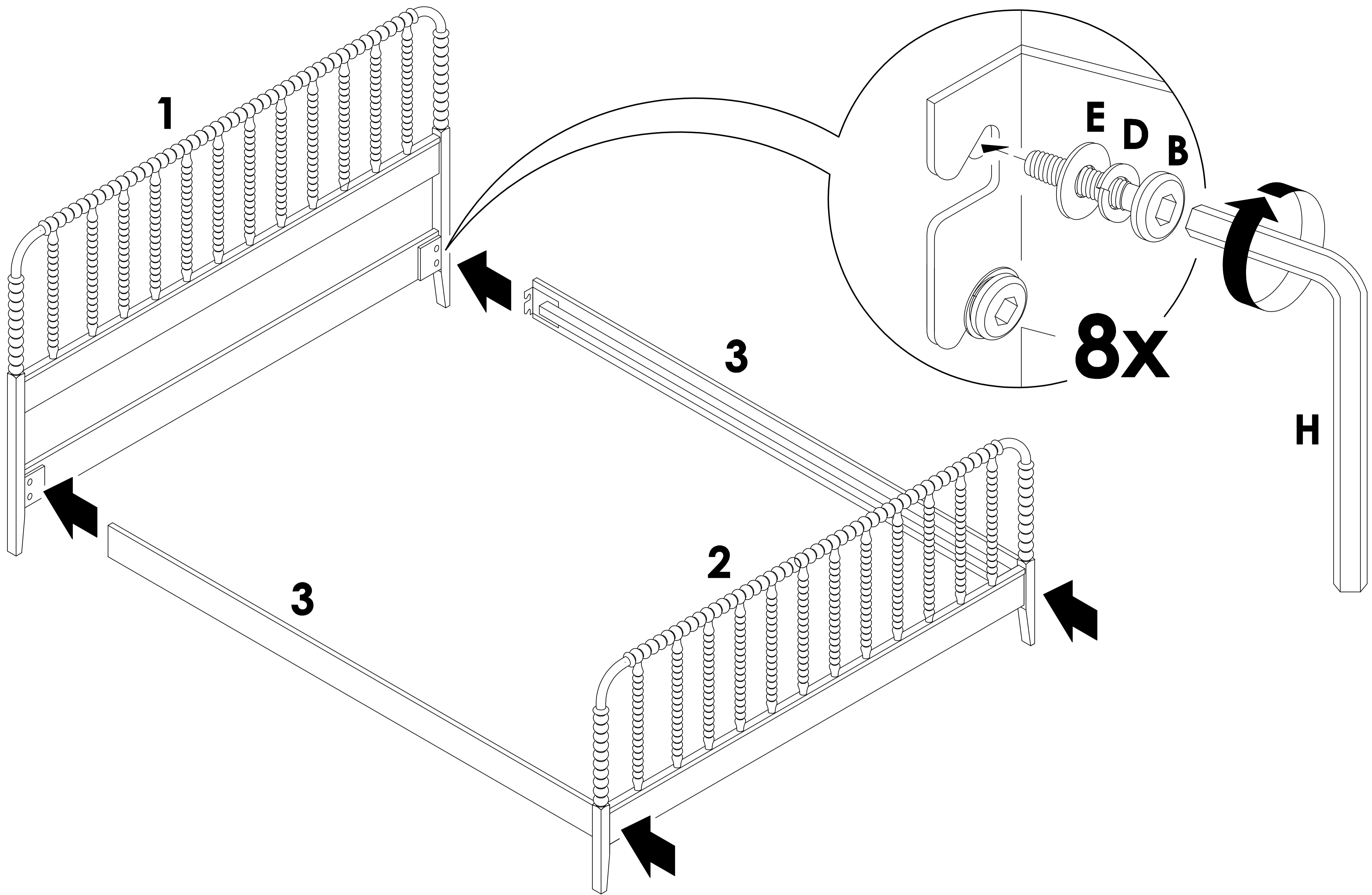
- Place all wooden parts on a clean and smooth surface such as a rug or carpet to avoid the parts from being scratched. Check to be sure that you have all parts and hardware. Remove all wrapping materials, including staples & packing straps before you start to assemble.
- Keep all hardware parts out of reach of children.
- DO NOT TIGHTEN BOLTS/SCREWS UNTIL ALL COMPLETELY ASSEMBLED.**



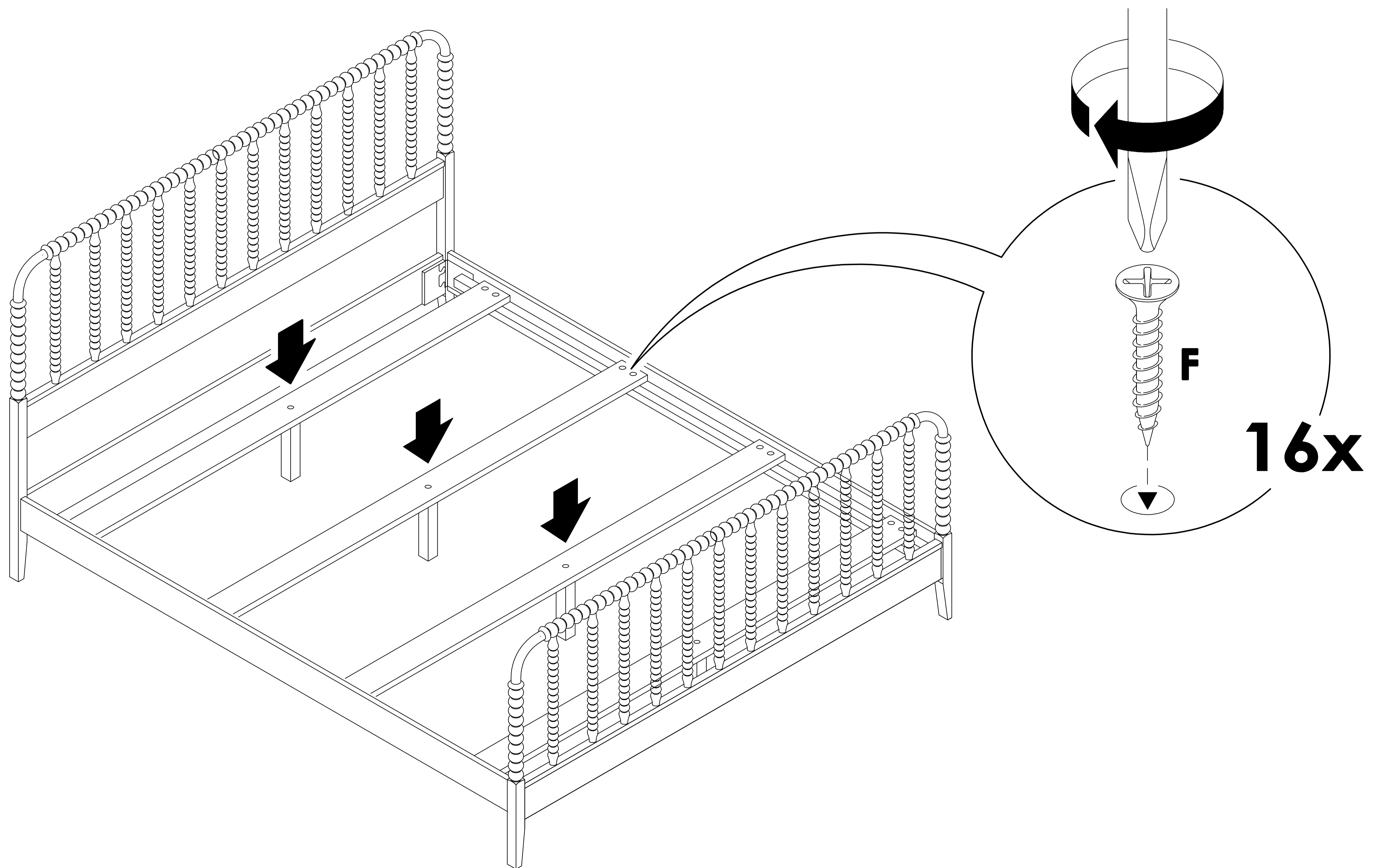
# Assembly Instructions

MODEL NO. : 0846 TWIN BED/QUEEN BED/KING BED

**3**



**4**



## CARE AND MAINTENANCE !

- The touch of a soft cloth is all the maintenance your wood pieces will ever need. Never use harsh chemicals or abrasive cleaners, as they could mark or destroy finish.