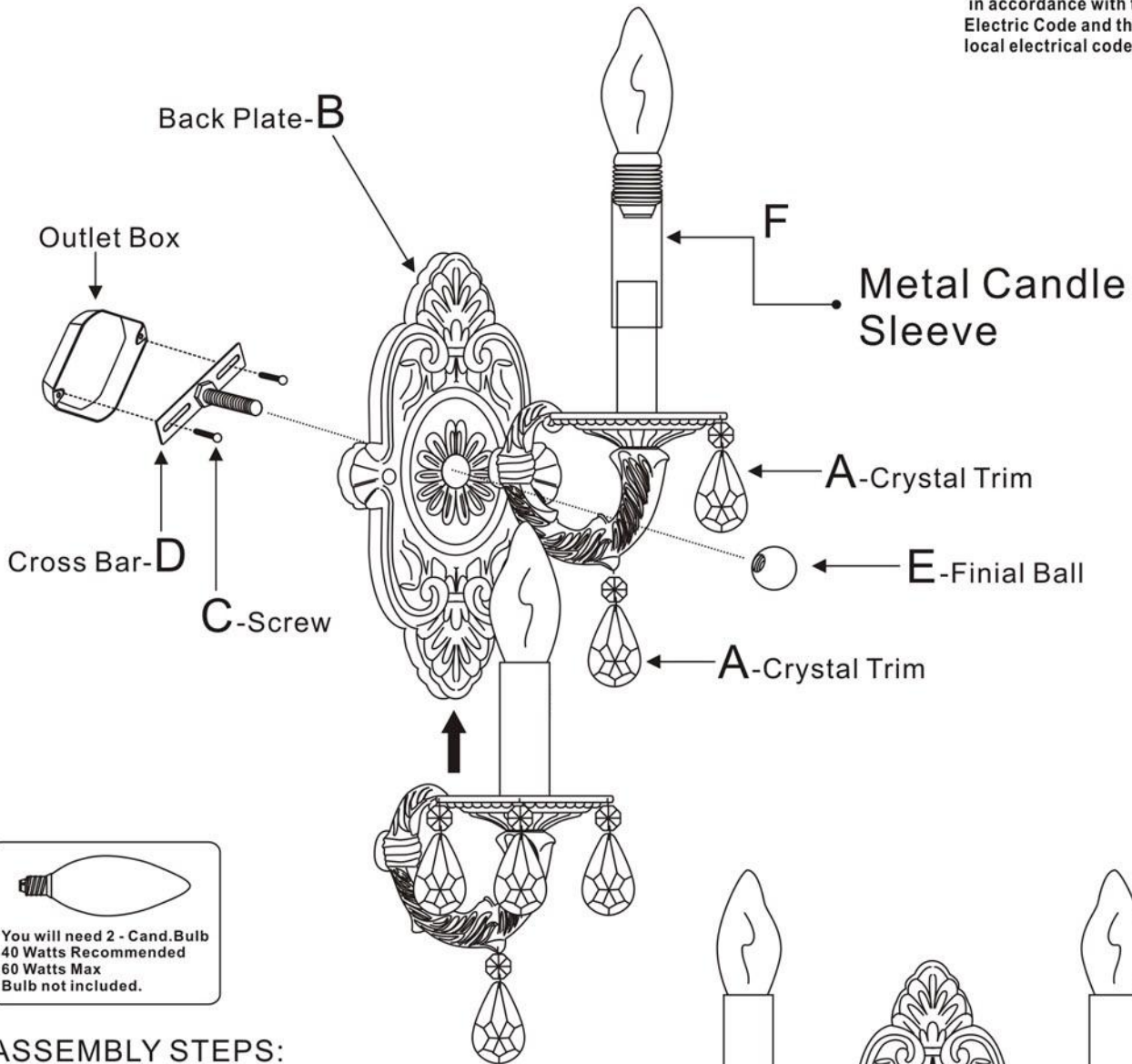


ASSEMBLY AND DRESSING INSTRUCTIONS



All electrical components must be installed by a licensed electrician in accordance with the National Electric Code and the appropriate local electrical codes.



ASSEMBLY STEPS:

- 1) C → D
- 2) C, D, E → B
- 3) F → B
- 4) A → B

A = (14mm+38mm) x 10sets

