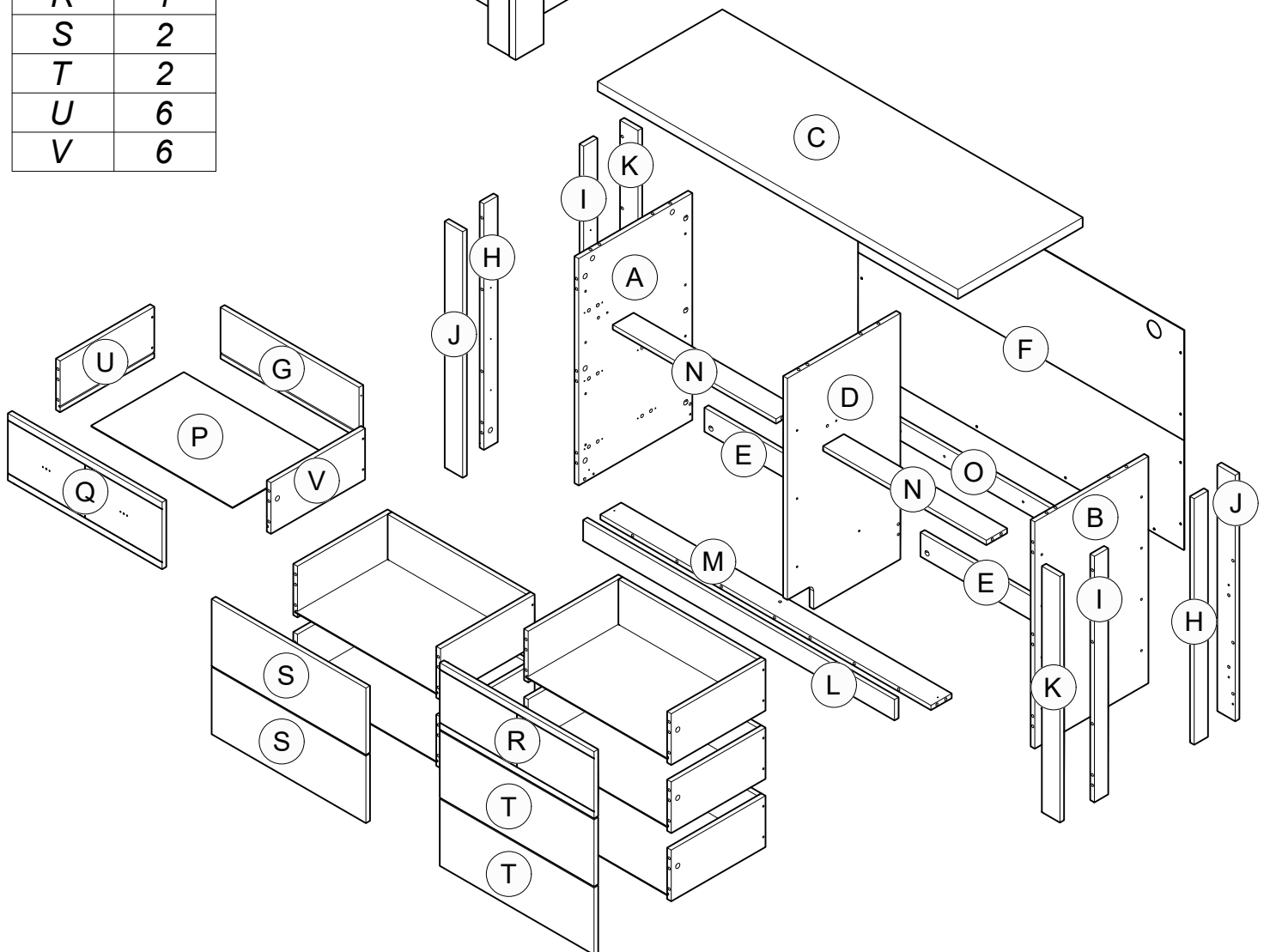
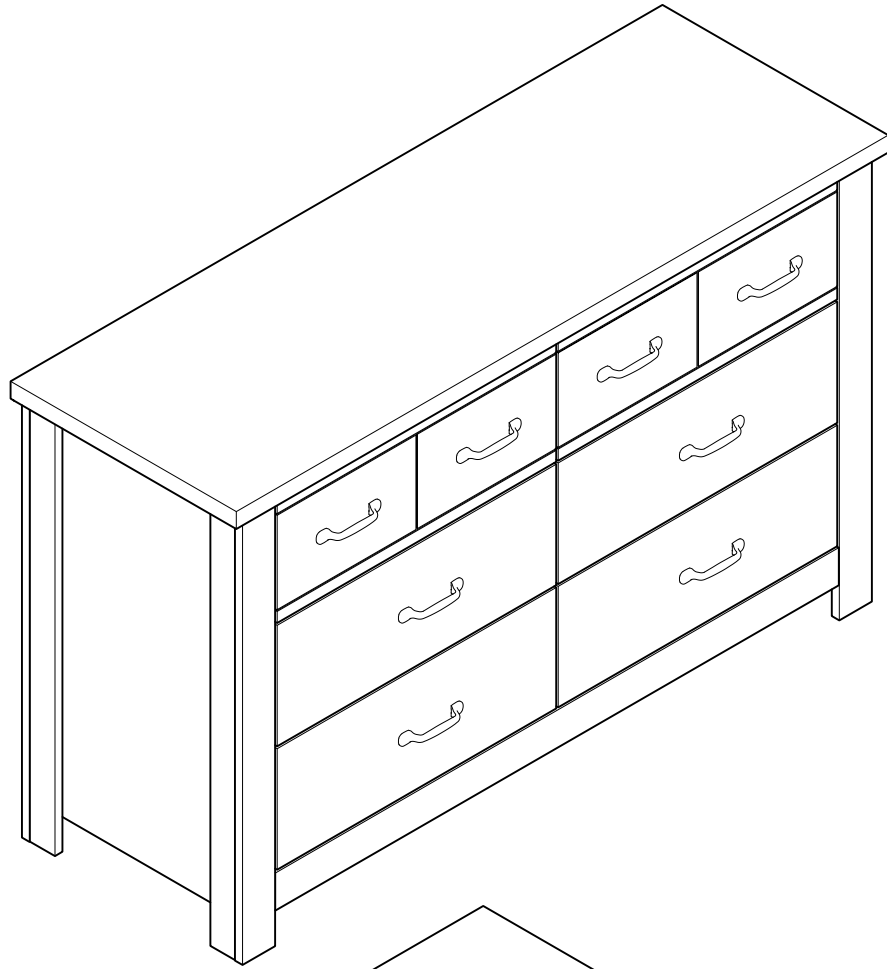



# ASSEMBLY INSTRUCTIONS

## PART LIST

CODE	QTY
A	1
B	1
C	1
D	1
E	2
F	1
G	6
H	2
I	2
J	2
K	2
L	1
M	1
N	2
O	1
P	6
Q	1
R	1
S	2
T	2
U	6
V	6



## NOTES ON ASSEMBLY

- To ensure ease of assembly read all instructions before assembly and follow step by step illustrations.
  - Keep instructions for future use.
  - Adult assembly required. 
  - Due to the presence of small parts during assembly, keep out of reach of children until assembly is complete.
- 

## MAINTENANCE TIPS

- Never let liquids or damp cloths sit on this furniture.
  - Never use chemical cleaning products. They can damage the finish. For cleaning, use only a slightly damp cloth and wipe dry.
  - To avoid dulling of the finish, do not place furniture in direct sunlight.
  - Do not put plastic or rubber rings under appliances. Use cloth or felt protectors.
  - To clean, use a soft or slightly damp cloth, then wipe with a clean, dry cloth.
-

# **WARNING** **AVERTISSEMENT / ADVERTENCIA**

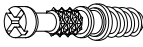

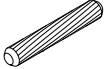

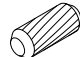
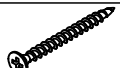
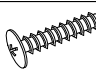
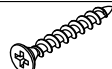
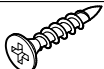



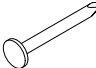
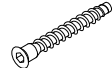

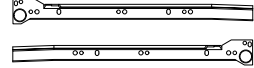
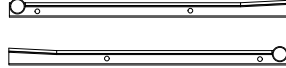
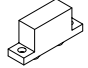
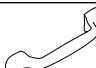
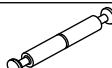
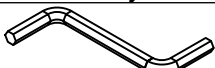
Serious or fatal crushing injuries can occur from furniture tip-over. To help prevent tip-over:

- It is important to place the safety bracket included.
- Place heaviest items in the lowest storage space.
- Never allow children to climb or hang on drawers, doors, or shelves.
- Never open more than one drawer at a time.
- If a heavy object is placed on top or inside the furniture, consider this risk.

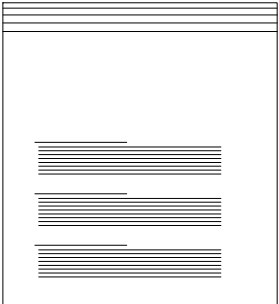




Use of tip-over restraints reduce, but does not eliminate, the risk of tip-over.

---

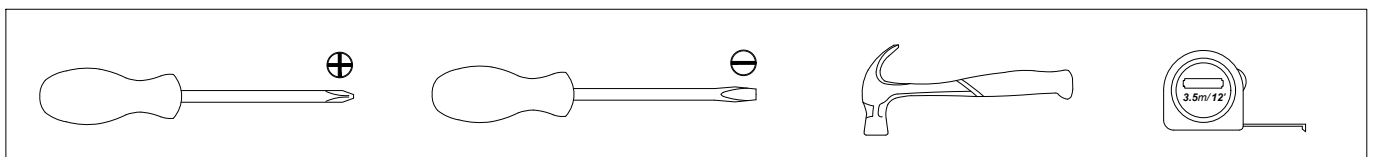
# HARDWARE QUINCAILLERIE

(1)	<b>Minifix Bolt</b>  50 pcs	(2)	<b>Minifix Cam</b>  52 pcs	(3)	<b>Wood Dowel <math>\phi 8 \times 50 \text{mm}</math></b>  1 pc
(4)	<b>Wood Dowel <math>\phi 8 \times 30 \text{mm}</math></b>  69 pcs	(5)	<b>Wood Dowel <math>\phi 8 \times 20 \text{mm}</math></b>  2 pcs	(6)	<b>Screw <math>\phi 4 \times 38 \text{mm}</math></b>  24 pcs
(7)	<b>Handle Screw <math>\phi 4 \times 19 \text{mm}</math></b>  16 pcs	(8)	<b>Screw <math>\phi 4 \times 28 \text{mm}</math></b>  20 pcs	(9)	<b>Screw <math>\phi 4 \times 20 \text{mm}</math></b>  24 pcs
(10)	<b>Screw <math>\phi 3.5 \times 15 \text{mm}</math></b>  58 pcs	(11)	<b>Screw <math>\phi 3 \times 12 \text{mm}</math></b>  6 pcs	(12)	<b>Euro Screw <math>\phi 6.3 \times 9 \text{mm}</math></b>  12 pcs
(13)	<b>Nail</b>  6 pcs	(14)	<b>Unitar Screw <math>\phi 6.3 \times 50 \text{mm}</math></b>  1 pc	(15)	<b>PVC L-Bracket</b>  2 pcs
(16)	<b>Drawer Slide 12"</b>  6 sets	(17)	<b>Drawer Slide 12"</b>  6 sets	(18)	<b>PVC Block - 35mm</b>  12 pcs
(19)	<b>Handle - 96mm</b>  8 pcs	(20)	<b>Double Head Minifix</b>  1 pc	(21)	<b>Allen Key M4</b>  1 pc


## FURNITURE TIPPING RESTRAINT

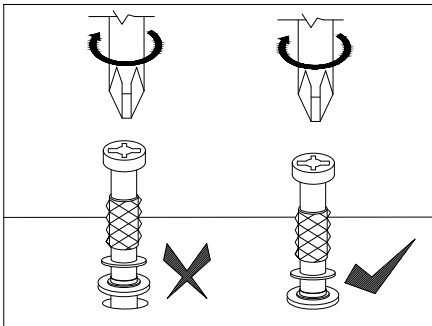
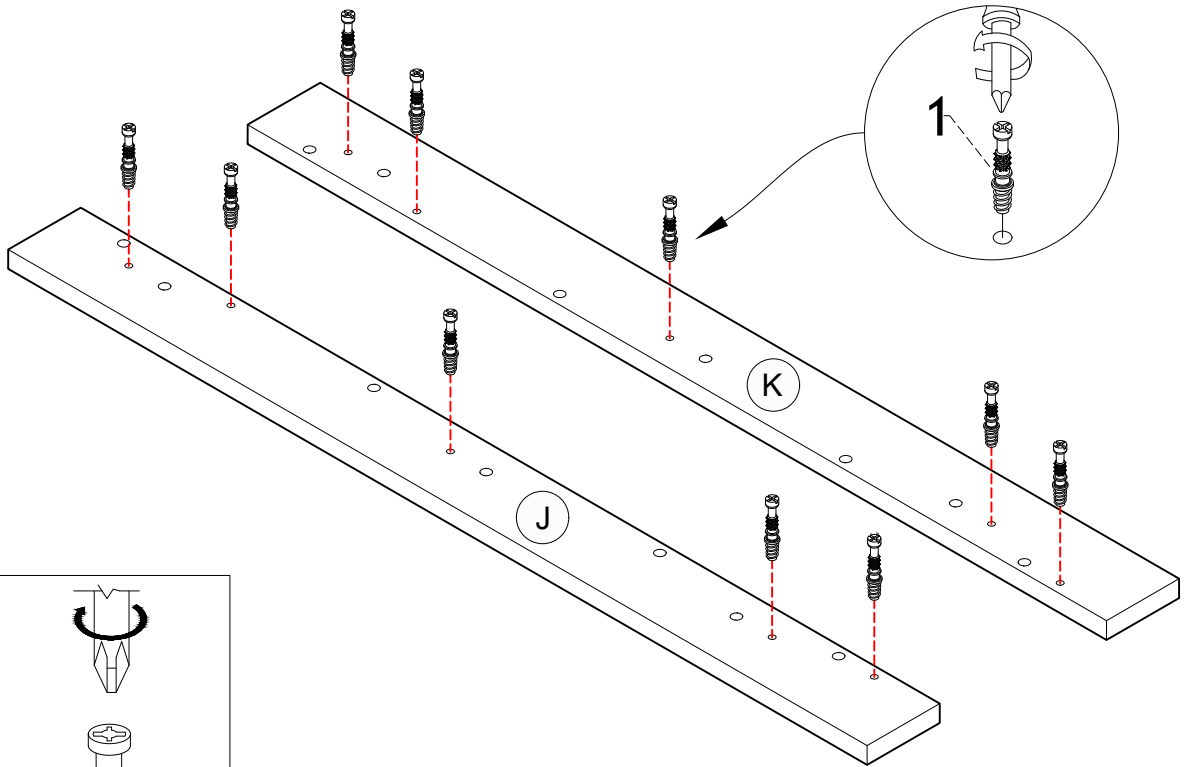
 x 1	(22)	<b>Mounting L-Bracket</b>  2 pcs	(23)	<b>Flat Washer <math>\phi 6 \times 16 \text{mm}</math></b>  2 pcs
	(24)	<b>Screw #10x16mm</b>  2 pcs	(25)	<b>Screw <math>\phi 4 \times 38 \text{mm}</math></b>  2 pcs

## TOOLS NOT INCLUDED



**STEP 1**

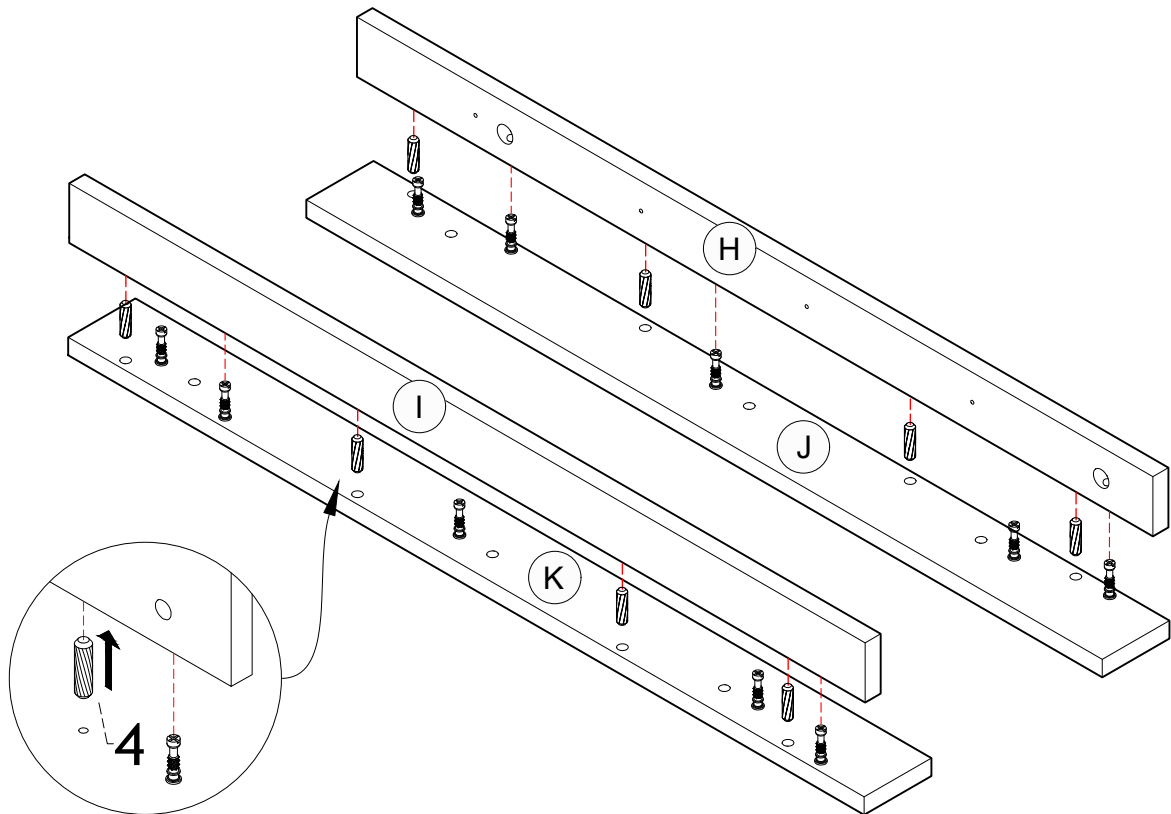
1		20 pcs
---	--	--------



(2x)



**STEP 2**

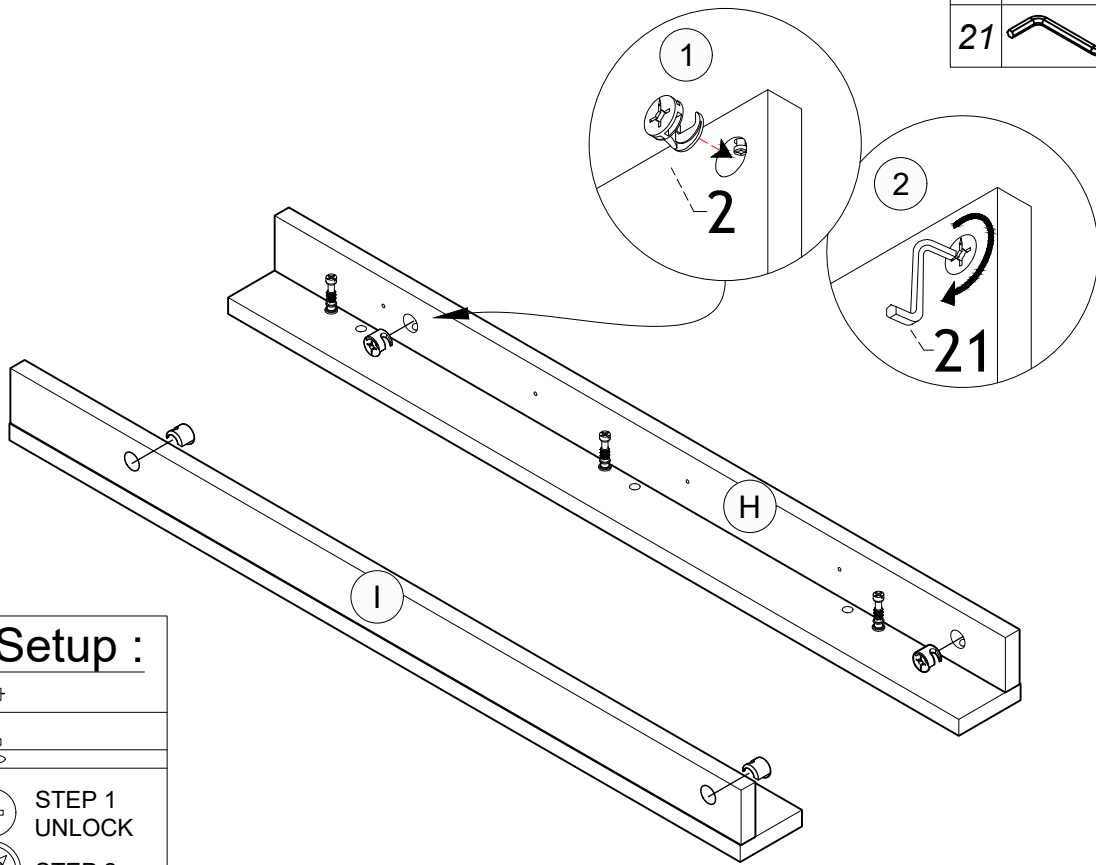
4		16 pcs
---	---	--------







(2x)

**STEP 3**

2		8 pcs
21		1 pc



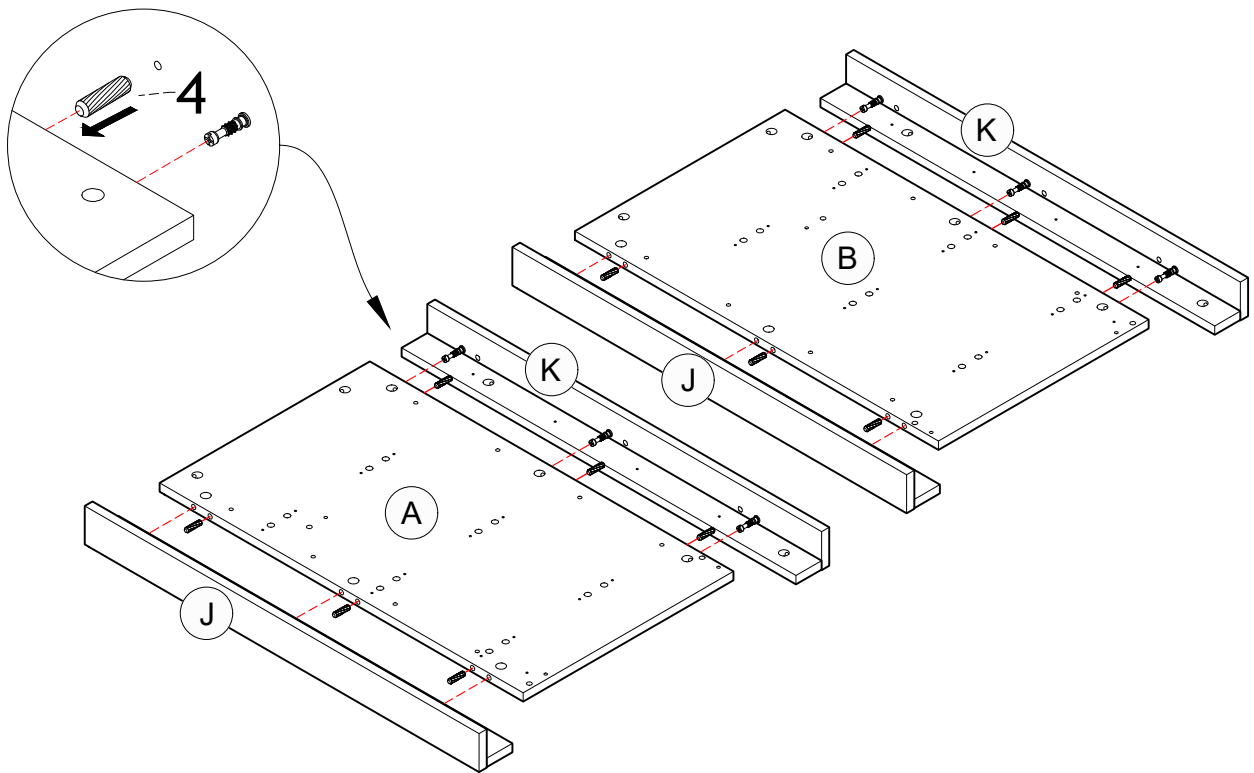
**Minifix Setup :**

	
	STEP 1 UNLOCK
	STEP 2
	STEP 3 LOCK



(2x)

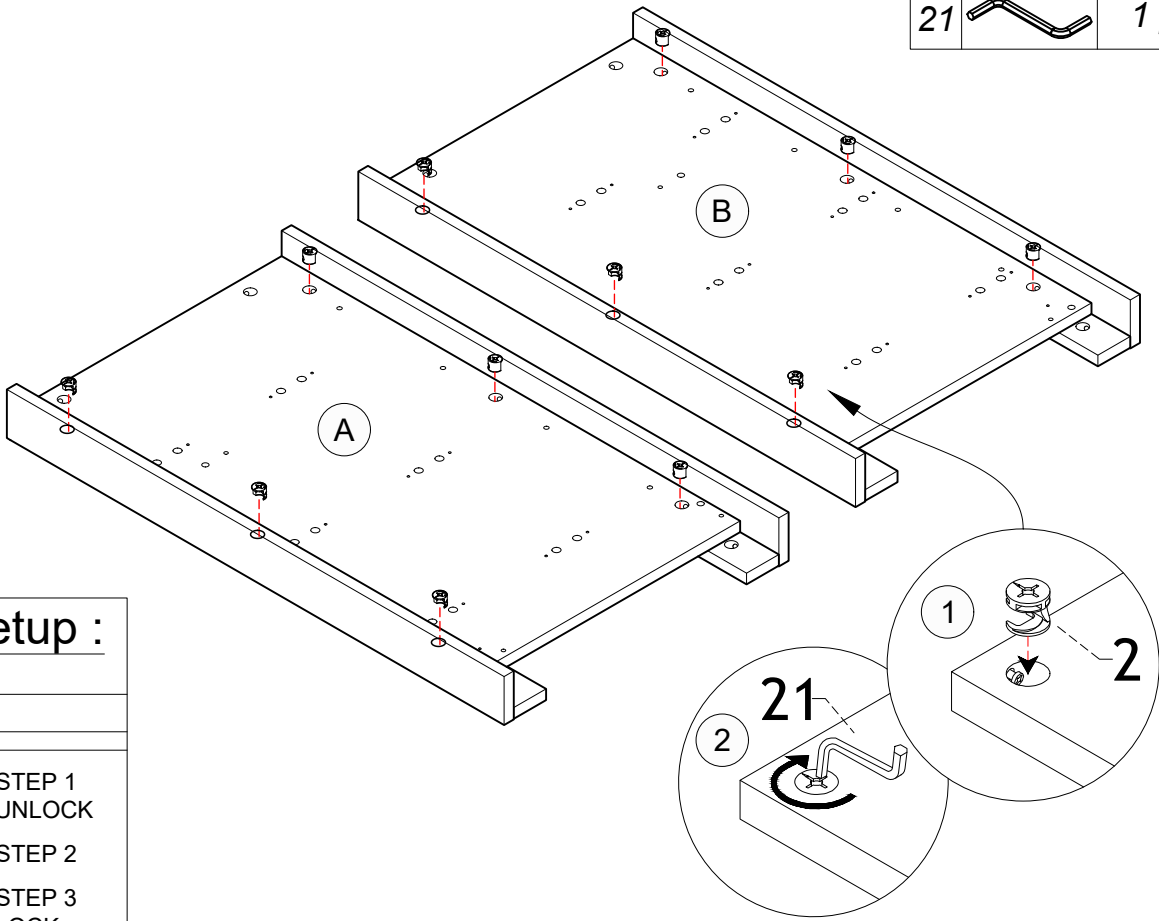
**STEP 4**

4		12 pcs
---	---	--------

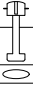





# STEP 5

2		12 pcs
21		1 pc

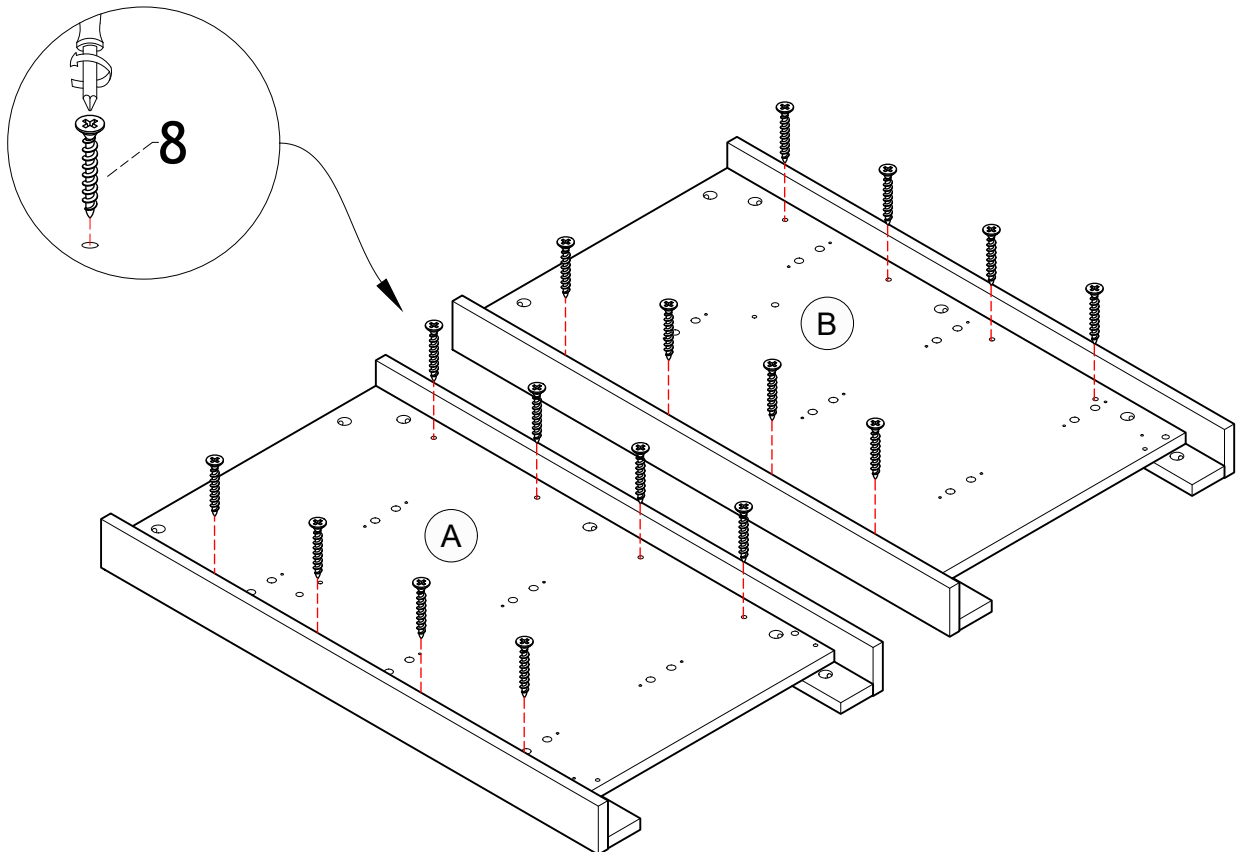


## Minifix Setup :


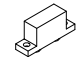
	
	STEP 1 UNLOCK
	STEP 2
	STEP 3 LOCK

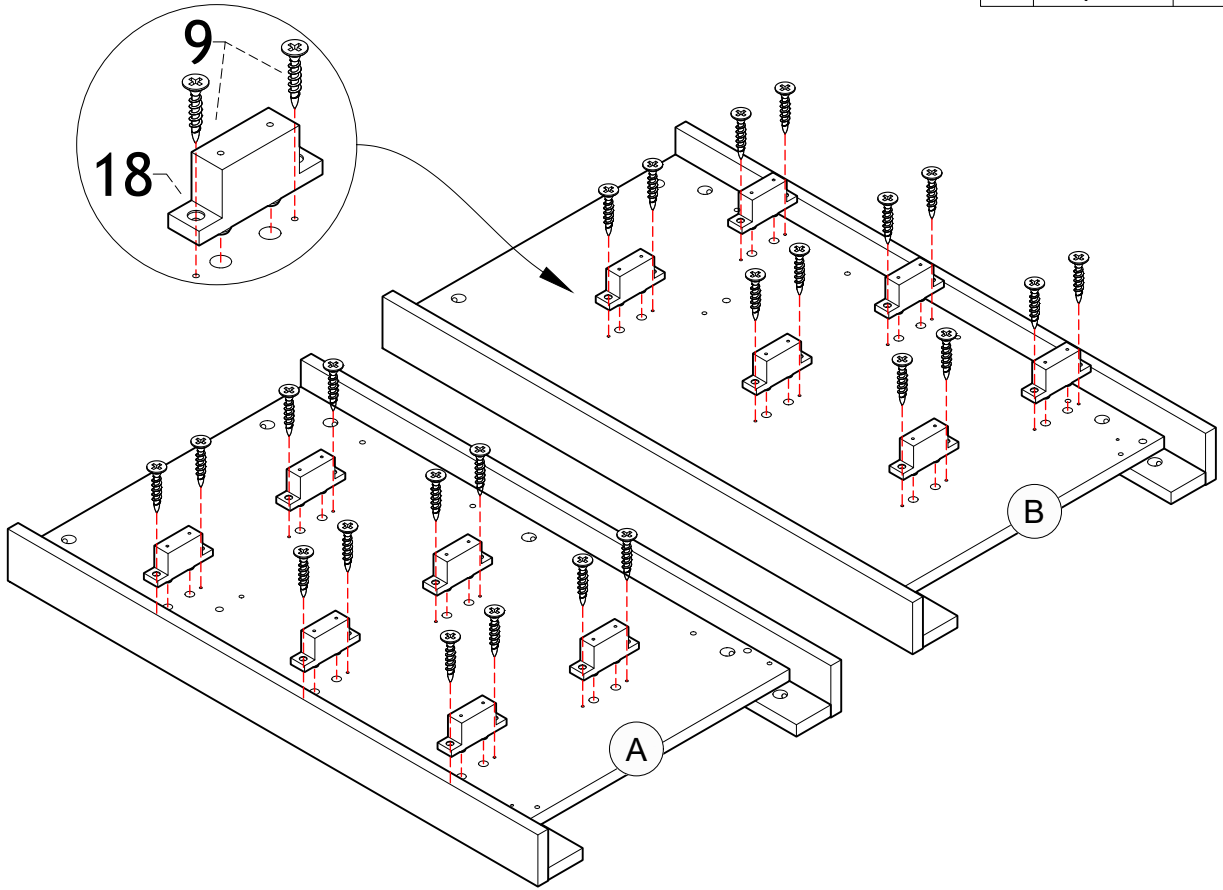
# STEP 6

8		16 pcs
---	---	--------





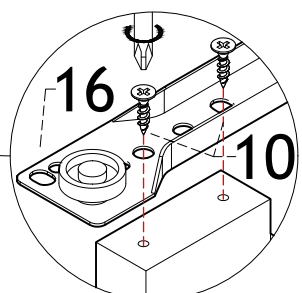
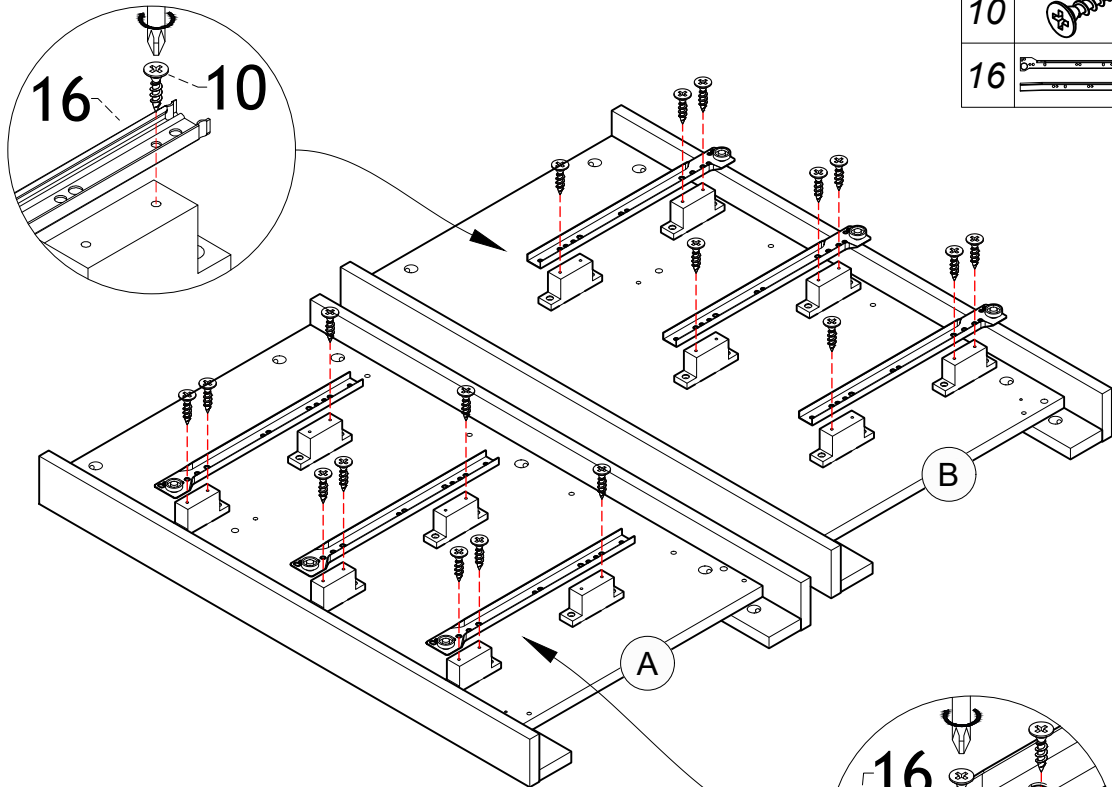
# STEP 7

9		24 pcs
18		12 pcs




# STEP 8

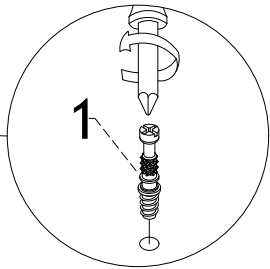
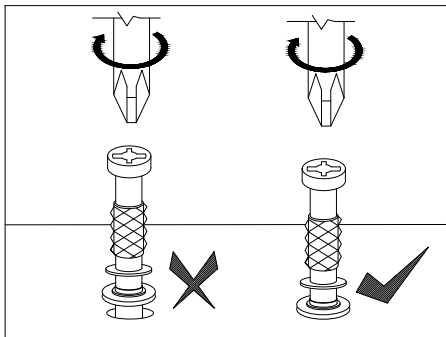
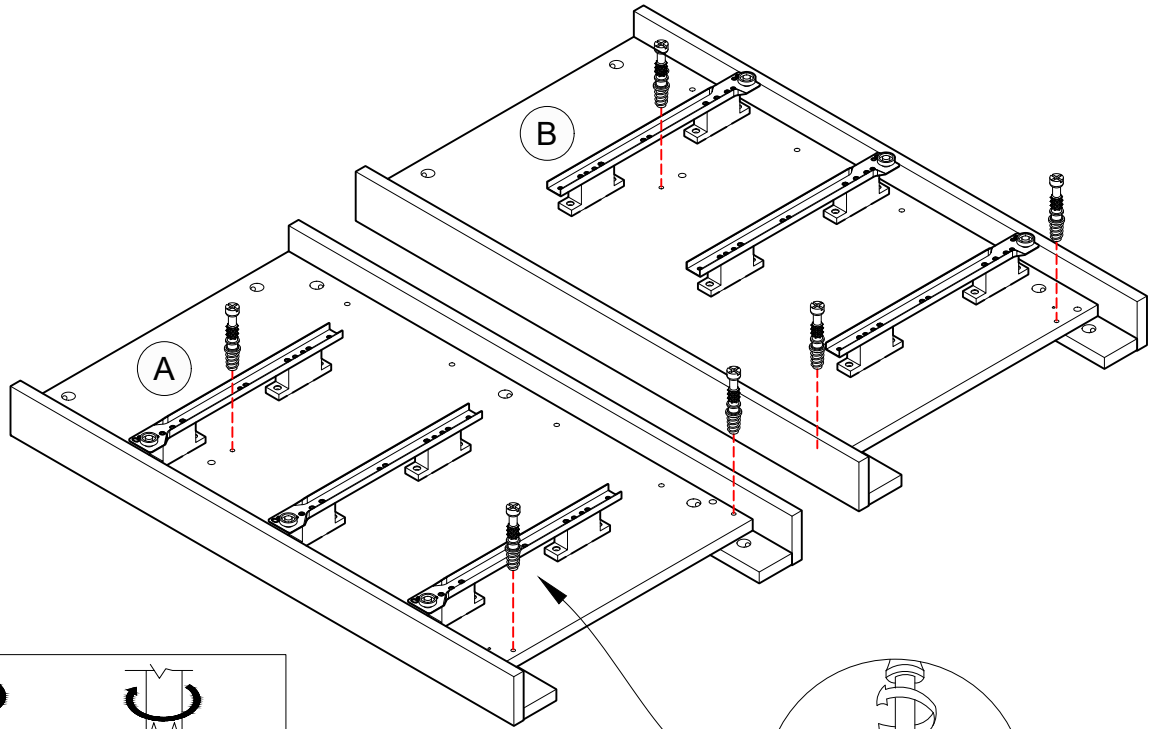
10		18 pcs
16		3 sets






PLEASE ENSURE TO FIX THE SCREWS AS PER ABOVE POINTED HOLES INSTRUCTION TO AVOID DISTORTION OF OVERALL LOOK OF PRODUCTS

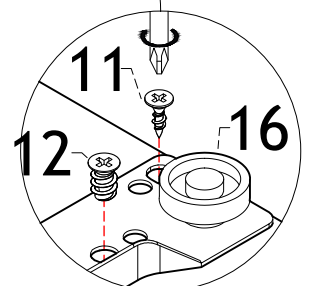
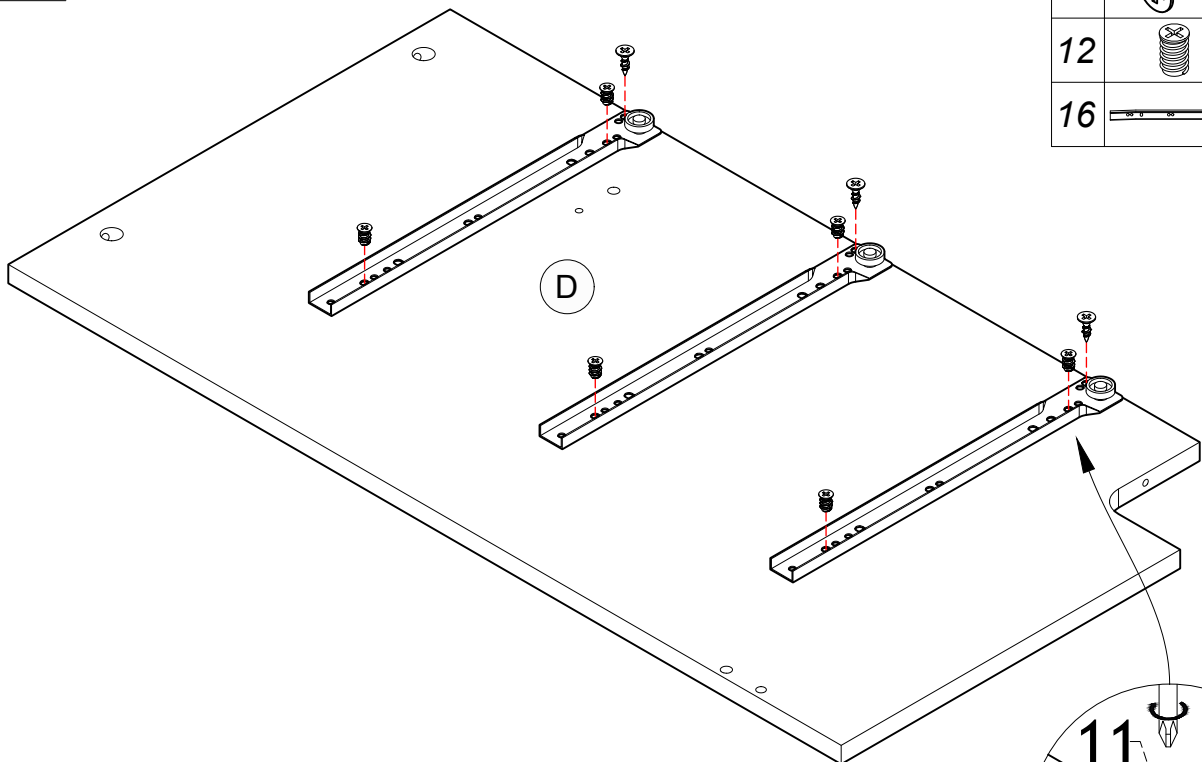
# STEP 9

1		6 pcs
---	--	-------




# STEP 10

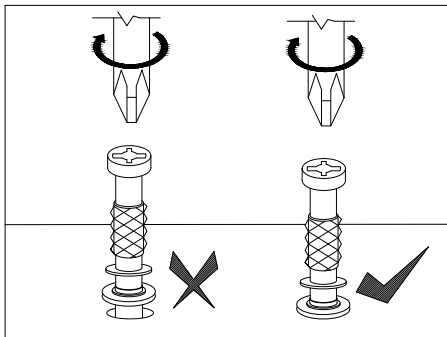
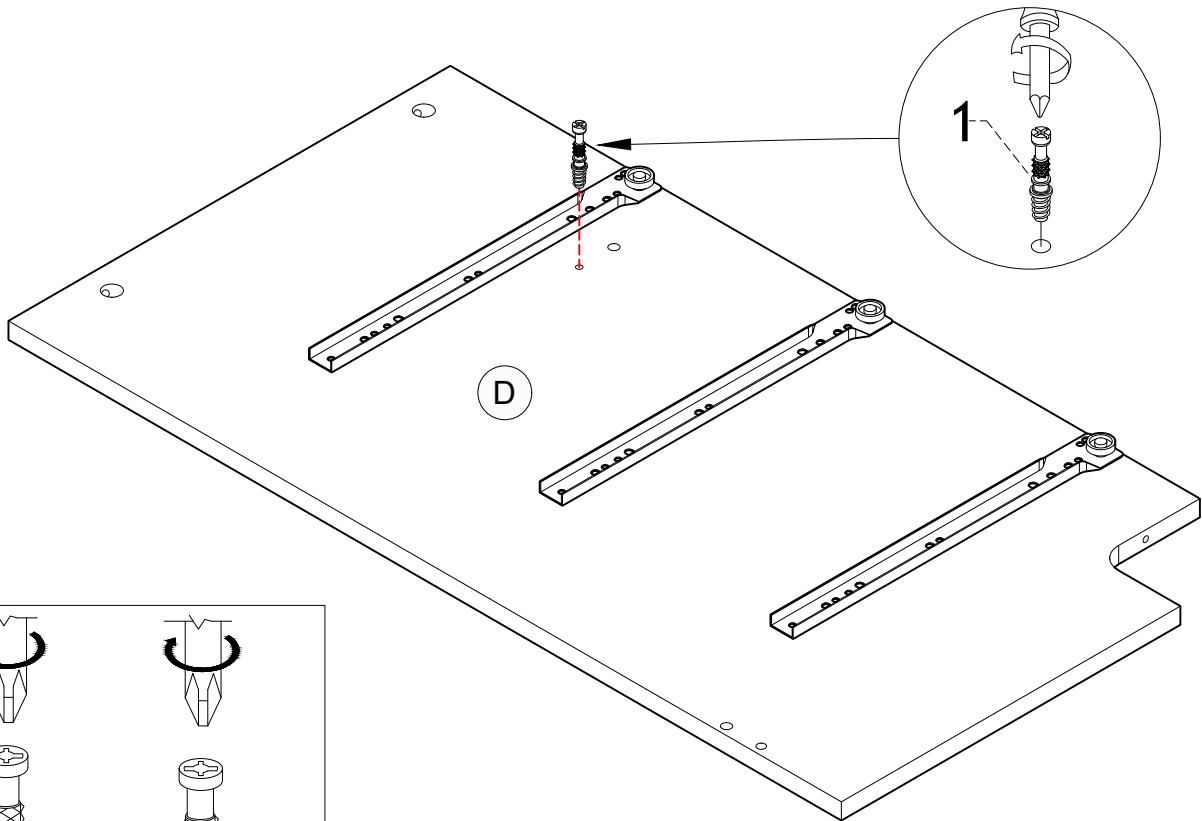
11		3 pcs
12		6 pcs
16		3 pcs






PLEASE ENSURE TO FIX THE SCREWS AS PER ABOVE POINTED HOLES INSTRUCTION TO AVOID DISTORTION OF OVERALL LOOK OF PRODUCTS

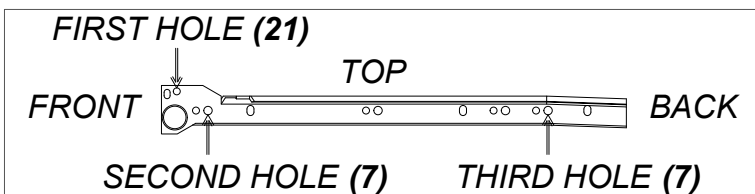
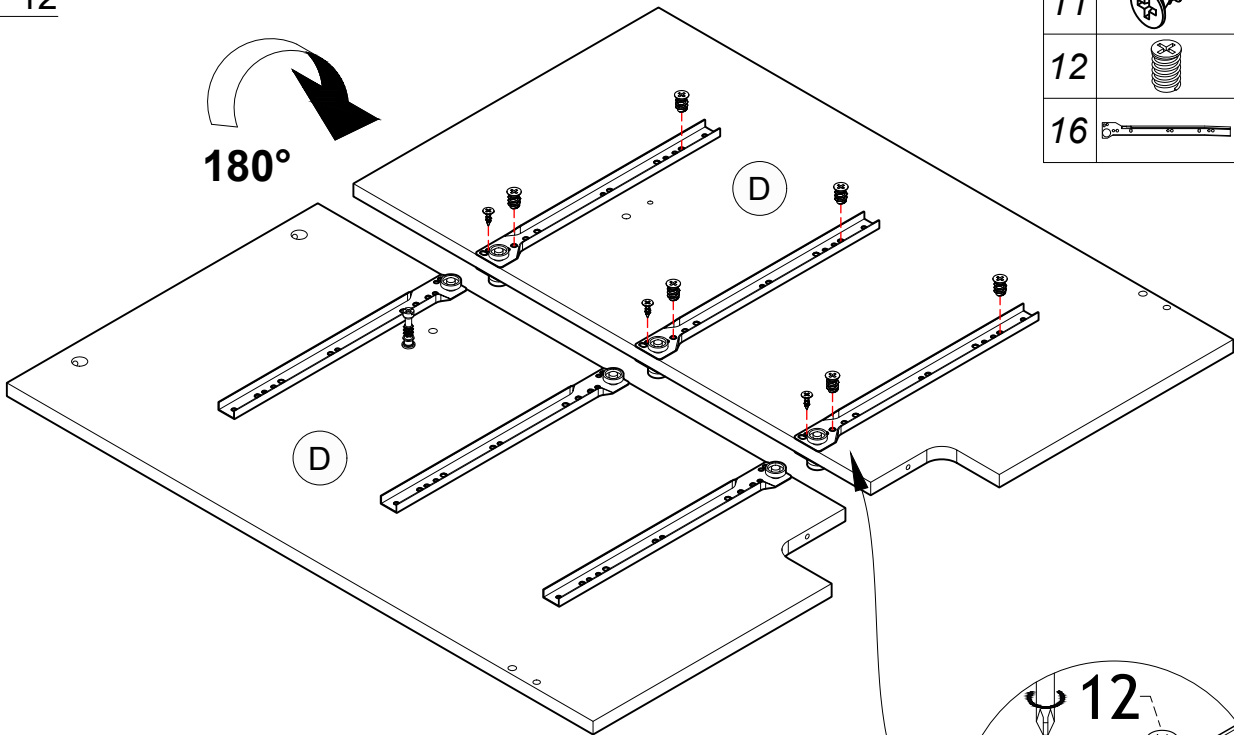
**STEP 11**

1		1 pc
---	--	------




**STEP 12**

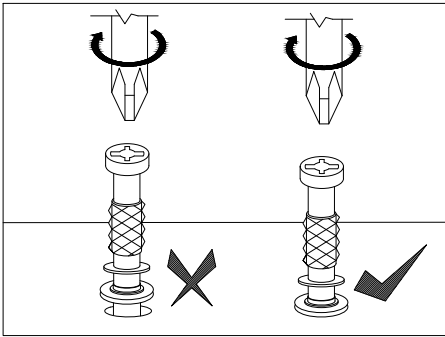
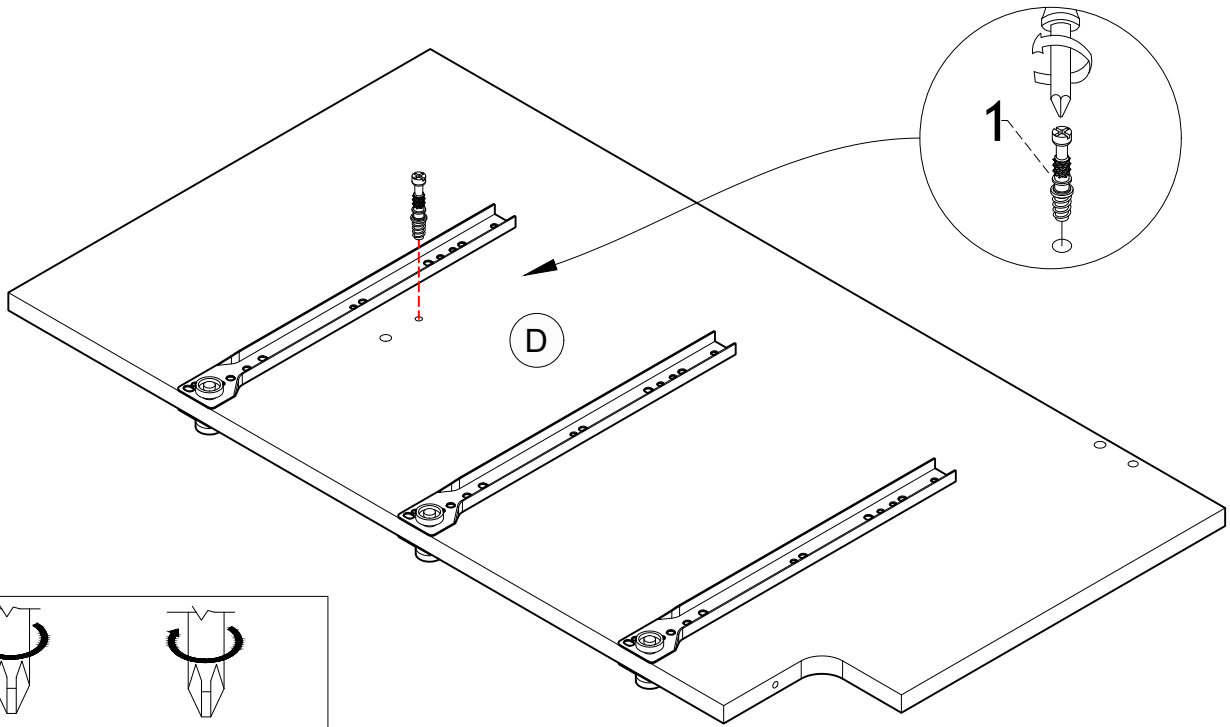
11		3 pcs
12		6 pcs
16		3 pcs






PLEASE ENSURE TO FIX THE SCREWS AS PER ABOVE POINTED HOLES INSTRUCTION TO AVOID DISTORTION OF OVERALL LOOK OF PRODUCTS

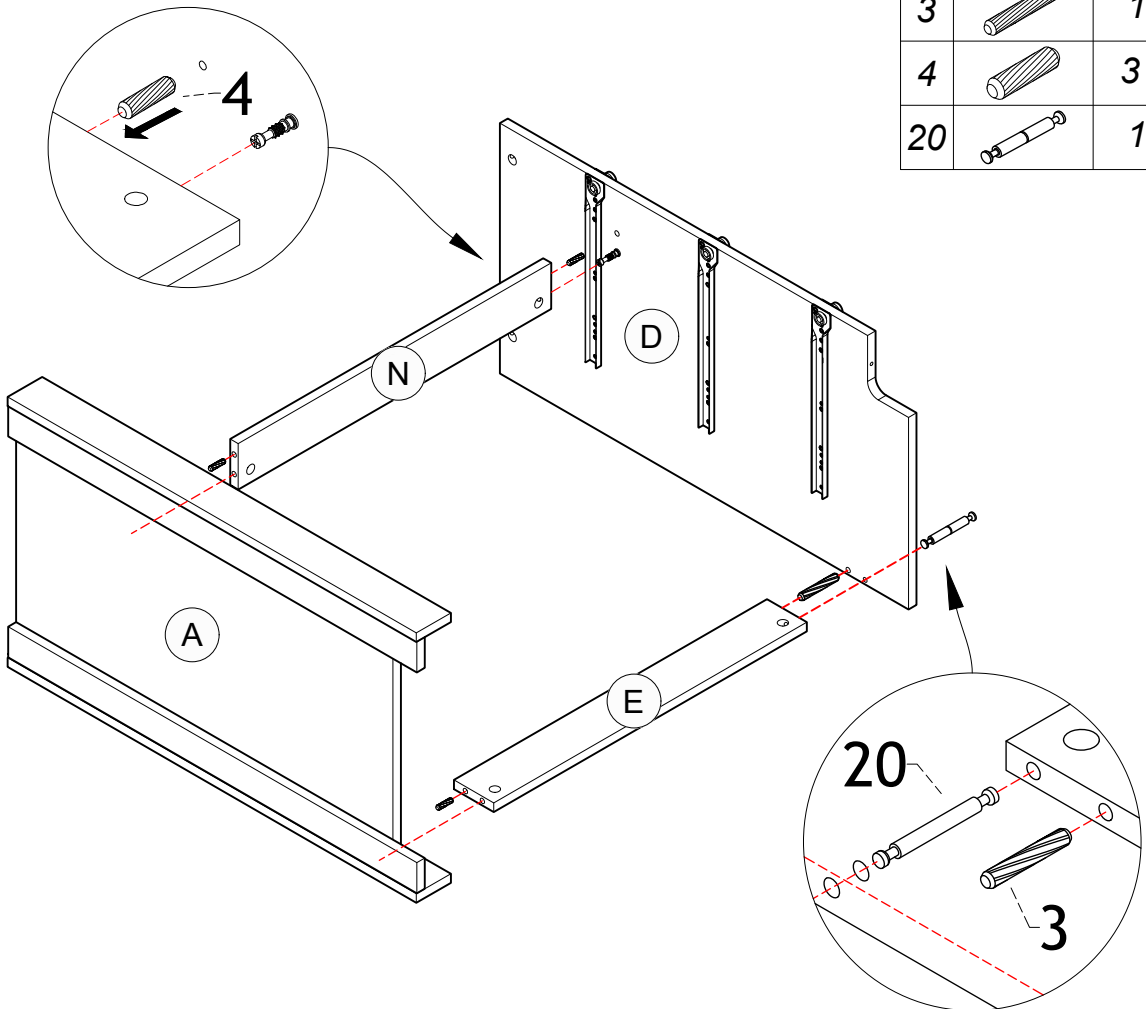
# STEP 13

1		1 pc
---	--	------


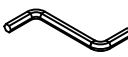


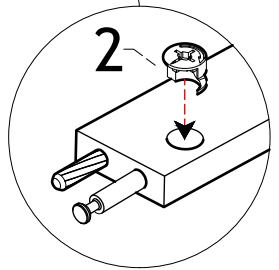
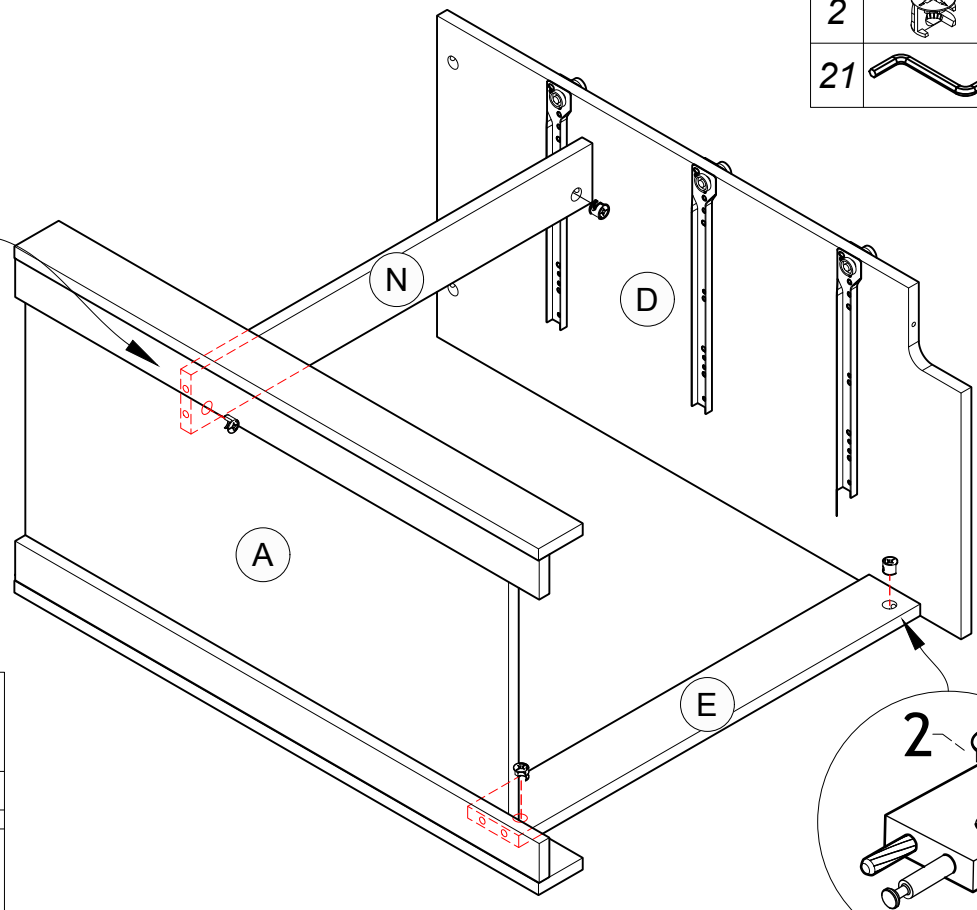
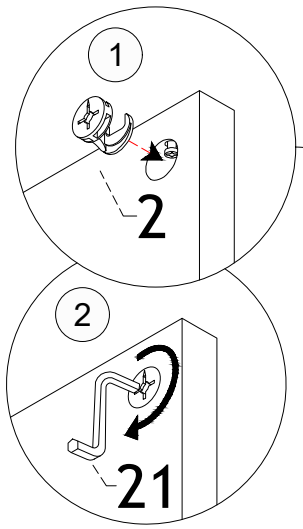
# STEP 14

3		1 pc
4		3 pcs
20		1 pc

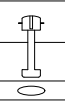





**STEP 15**

2		4 pcs
21		1 pc





**Minifix Setup :**

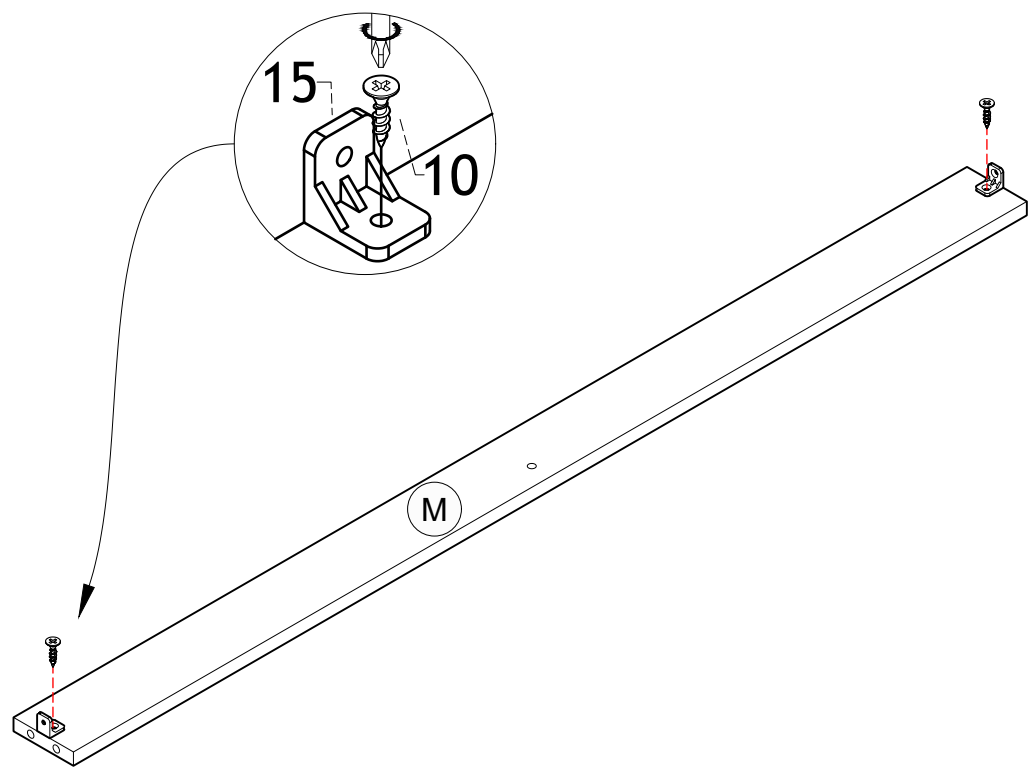


-  STEP 1 UNLOCK
-  STEP 2
-  STEP 3 LOCK


**PLEASE DO NOT TIGHTEN MINIFIX CAM IN THIS STEP.**

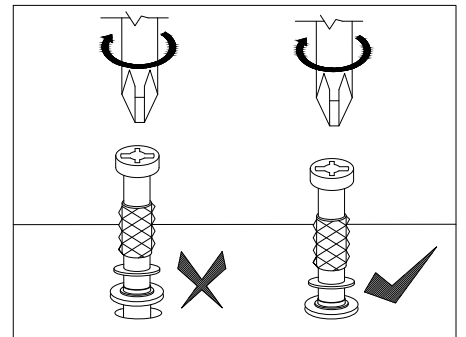
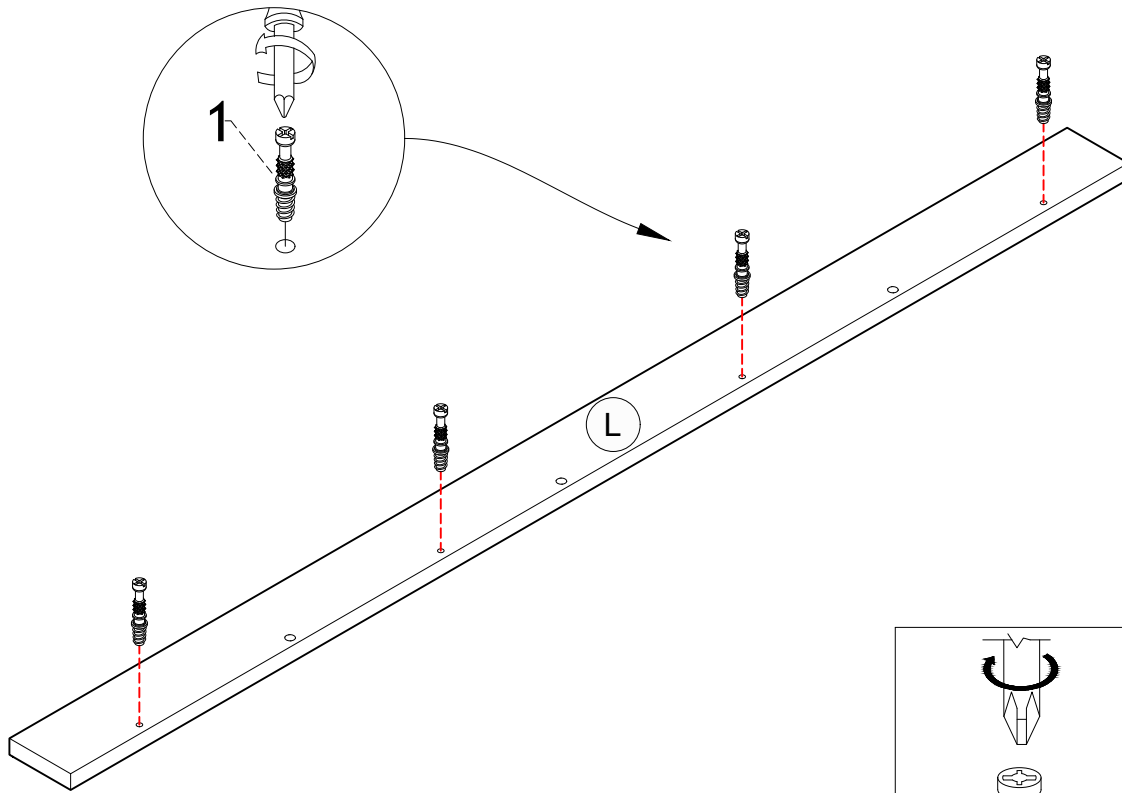
**STEP 16**

10		2 pcs
15		2 pcs



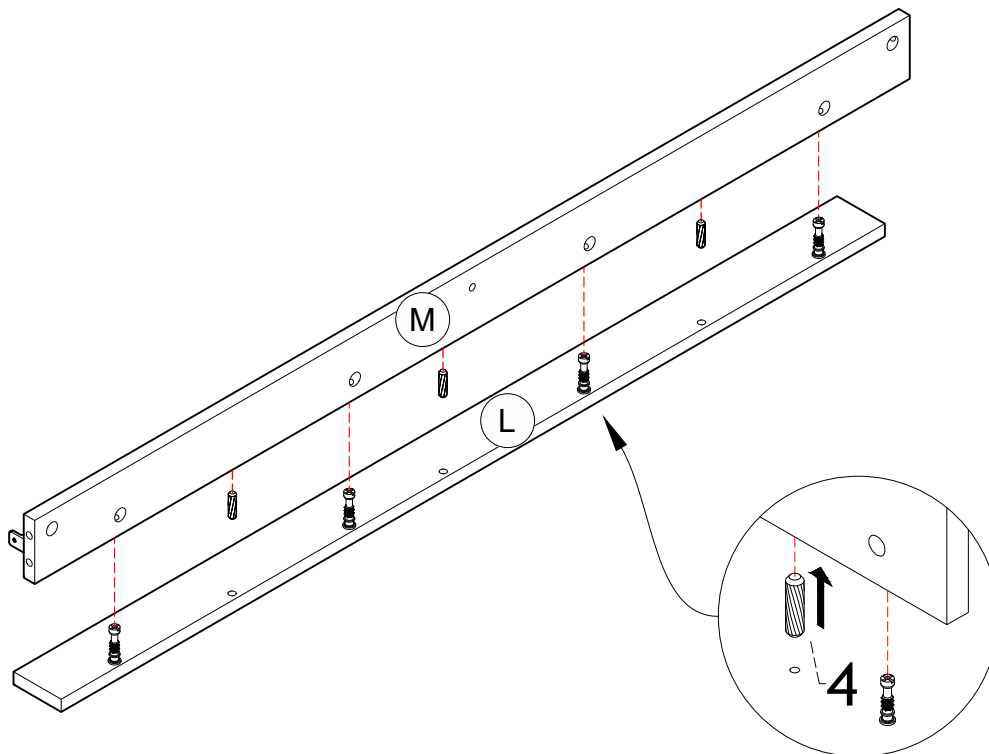
**STEP 17**

1		4 pcs
---	--	-------





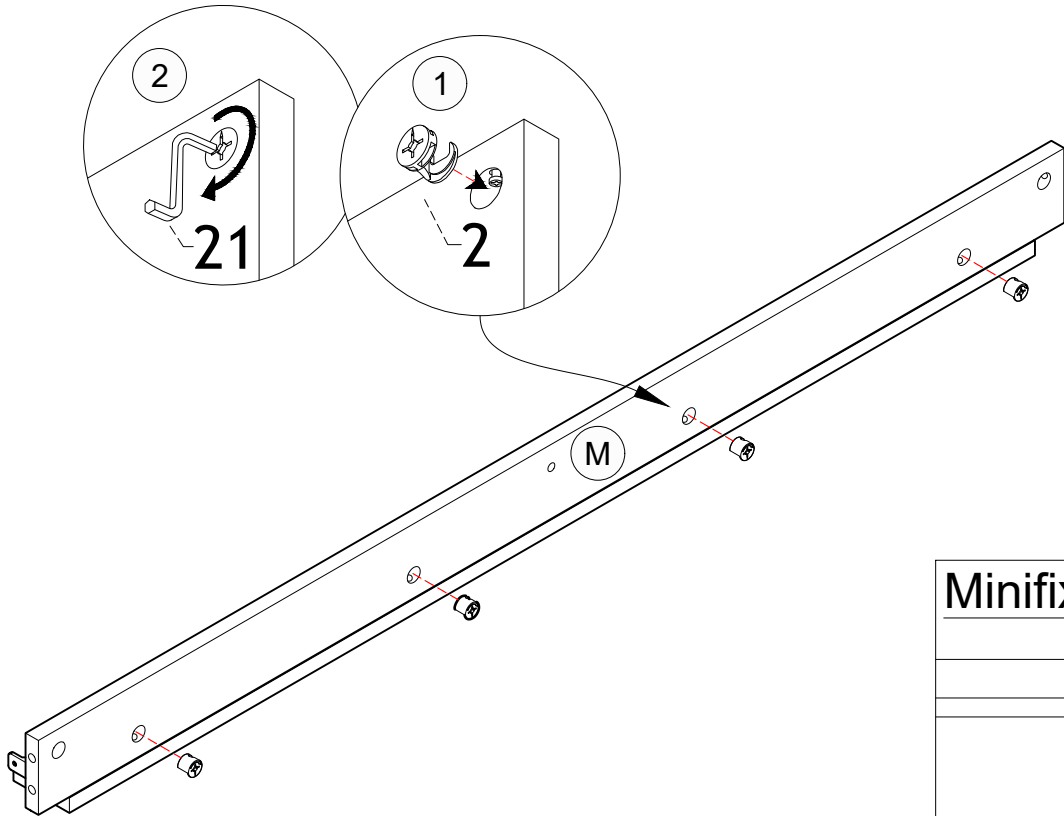
**STEP 18**

4		3 pcs
---	---	-------





**STEP 19**


2		4 pcs
21		1 pc




**Minifix Setup :**



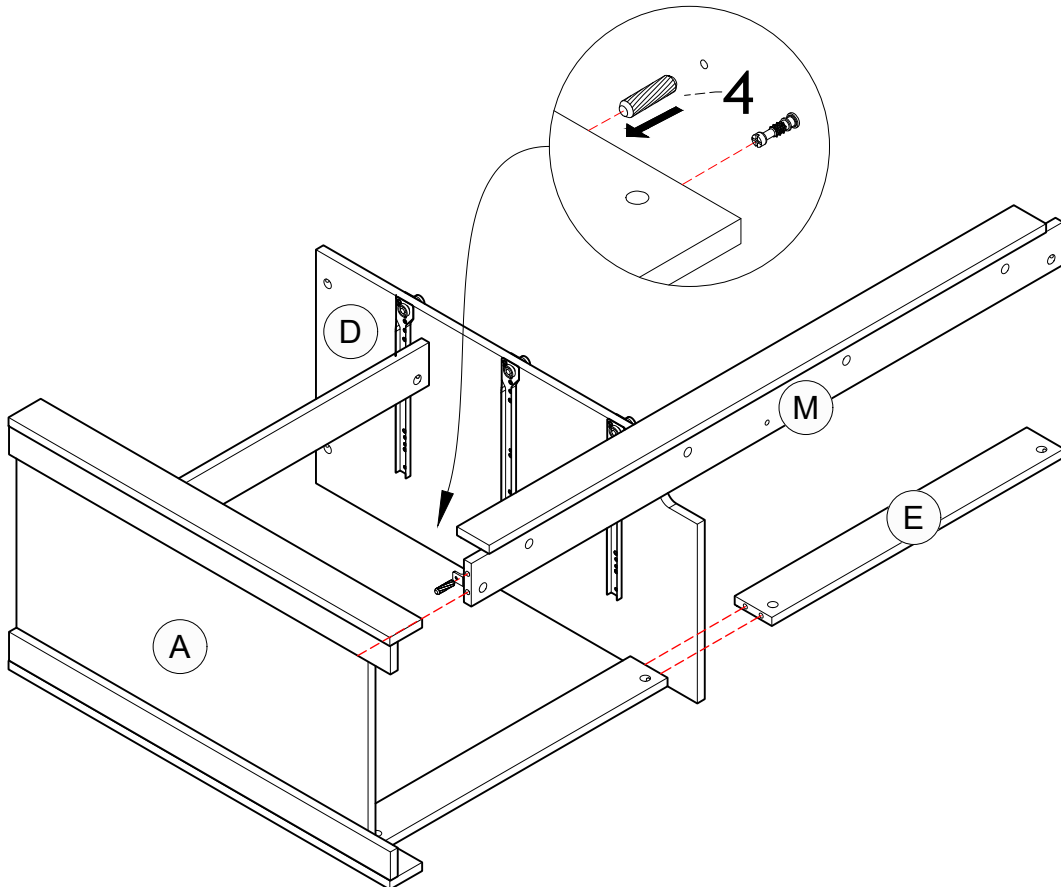
 STEP 1  
UNLOCK

 STEP 2



 STEP 3  
LOCK

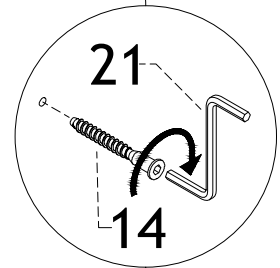
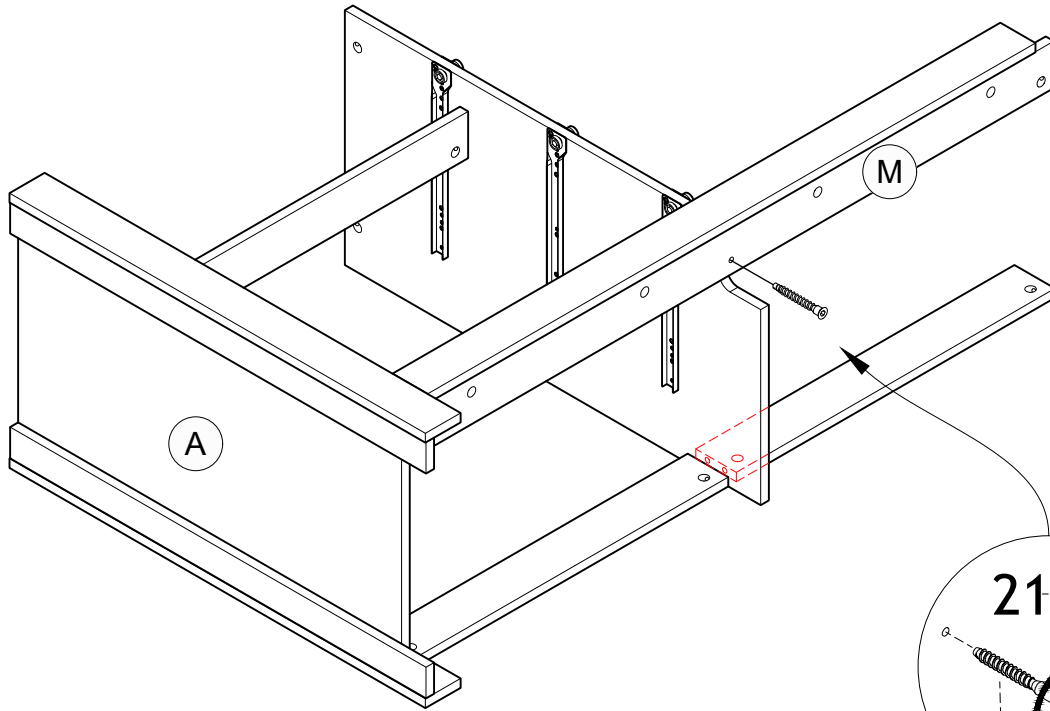
**STEP 20**

4		1 pc
---	---	------






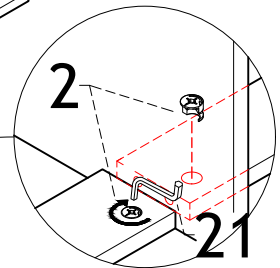
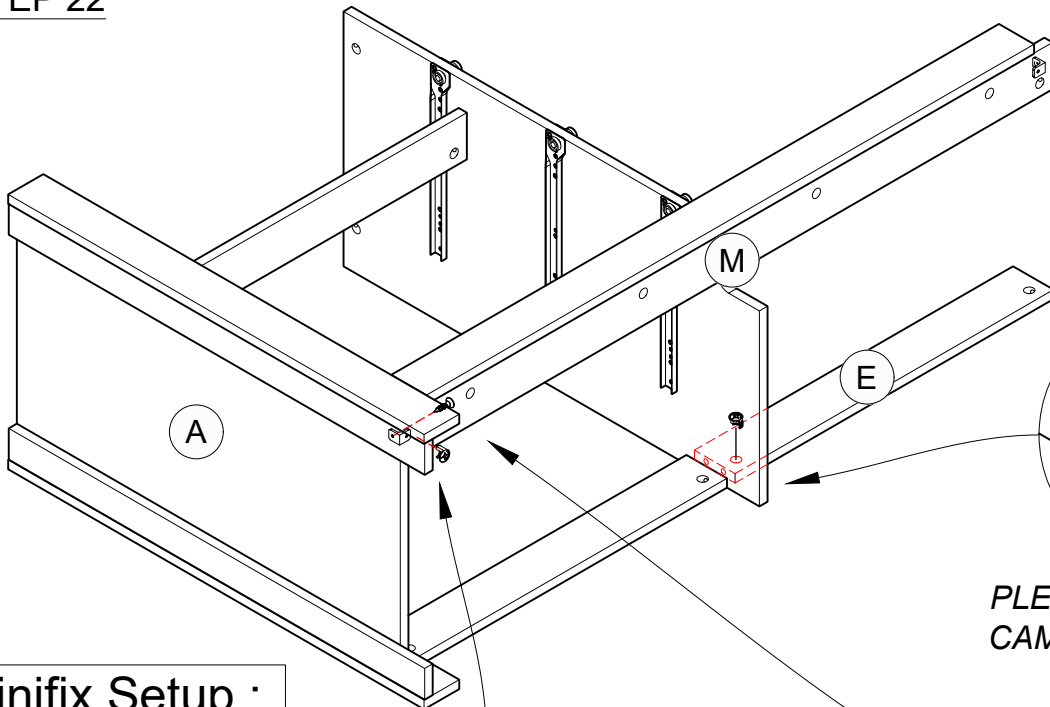
# STEP 21

14		1 pc
21		1 pc



# STEP 22



2		2 pcs
10		1 pc
21		1 pc

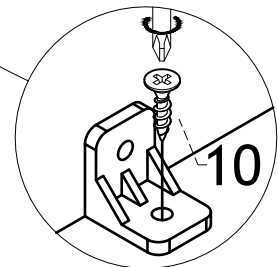
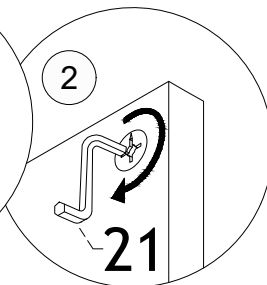
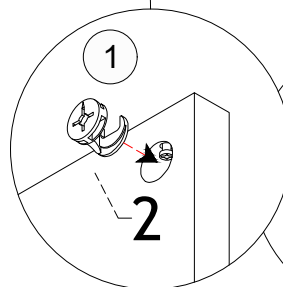


**PLEASE TIGHTEN MINIFIX CAM IN THIS STEP.**

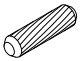
## Minifix Setup :

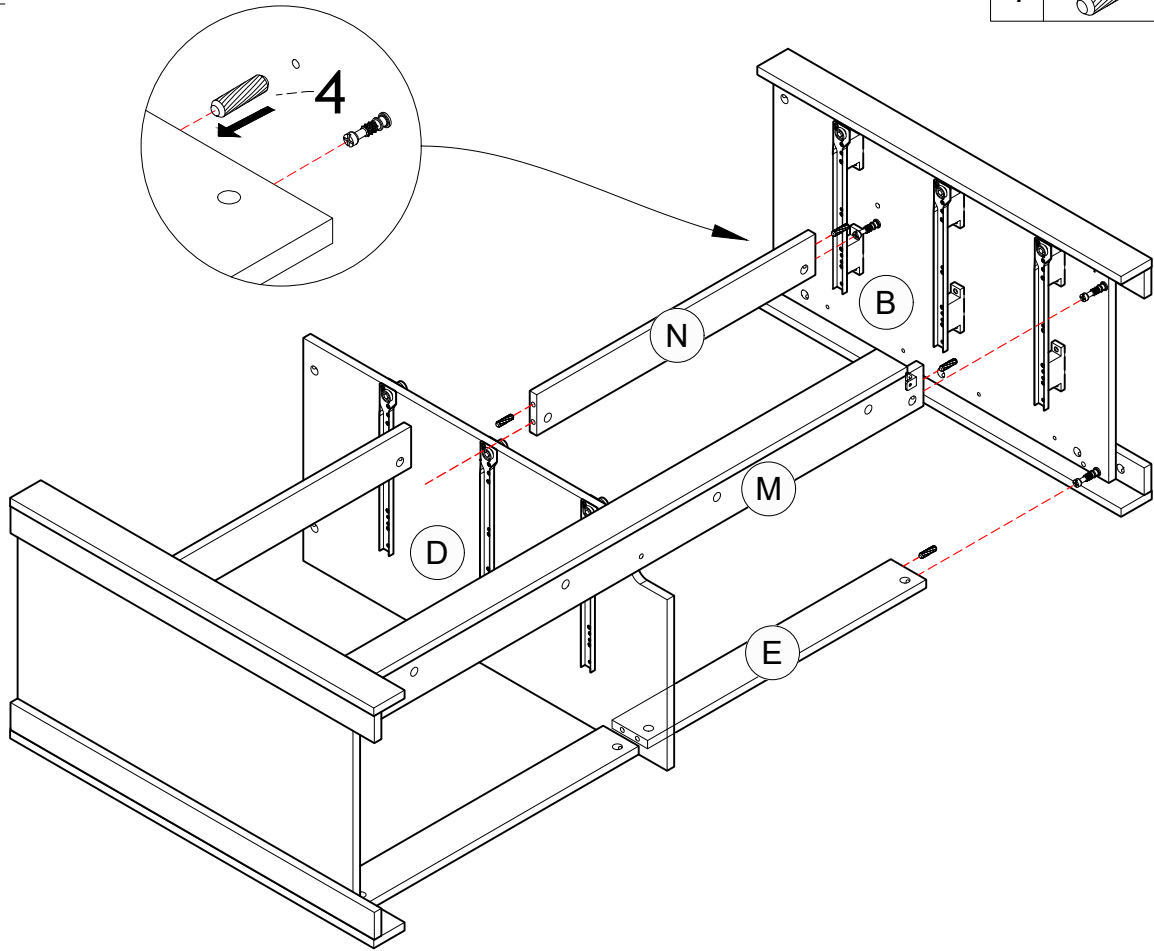


-  STEP 1 UNLOCK
-  STEP 2
-  STEP 3 LOCK






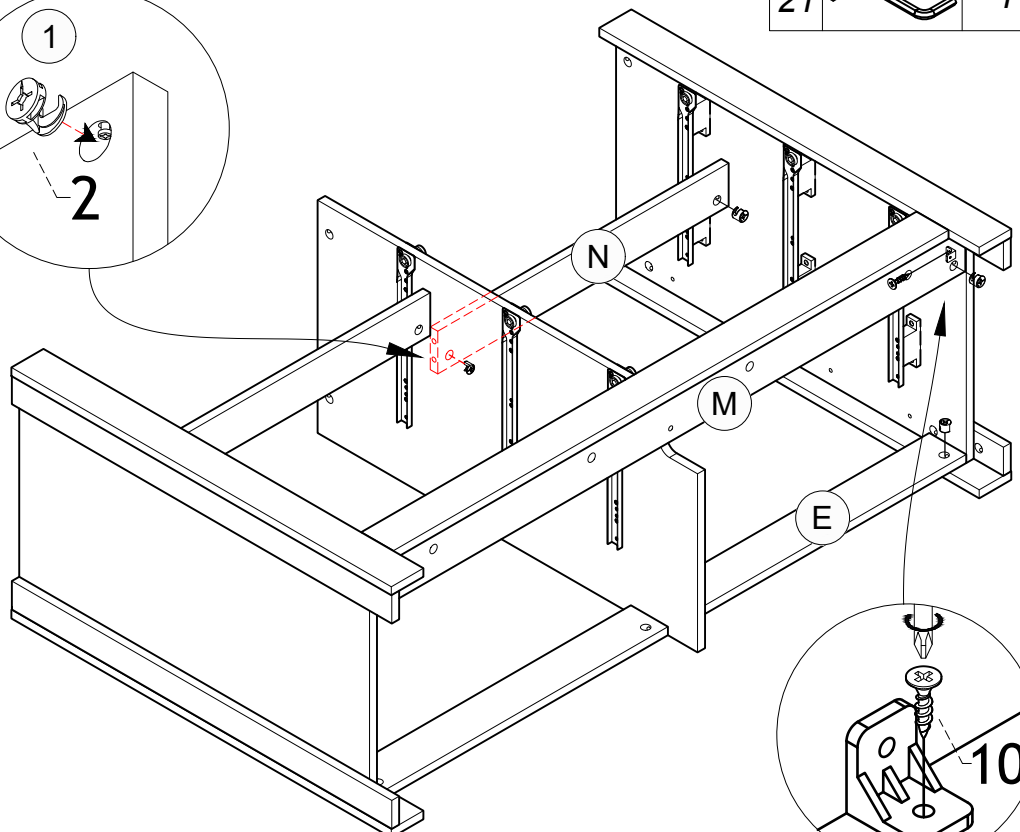
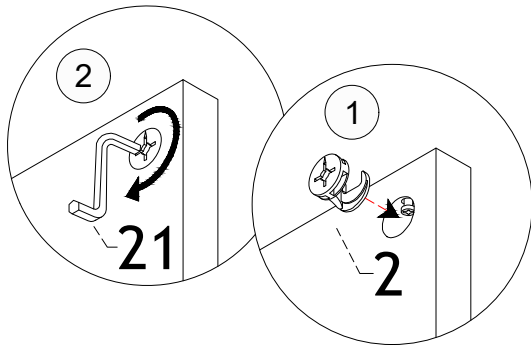
**STEP 23**

4		4 pcs
---	--	-------



**STEP 24**

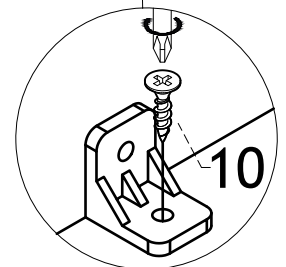
2		4 pcs
10		1 pc
21		1 pc




**Minifix Setup :**

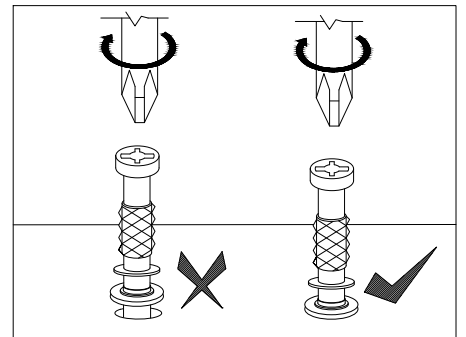
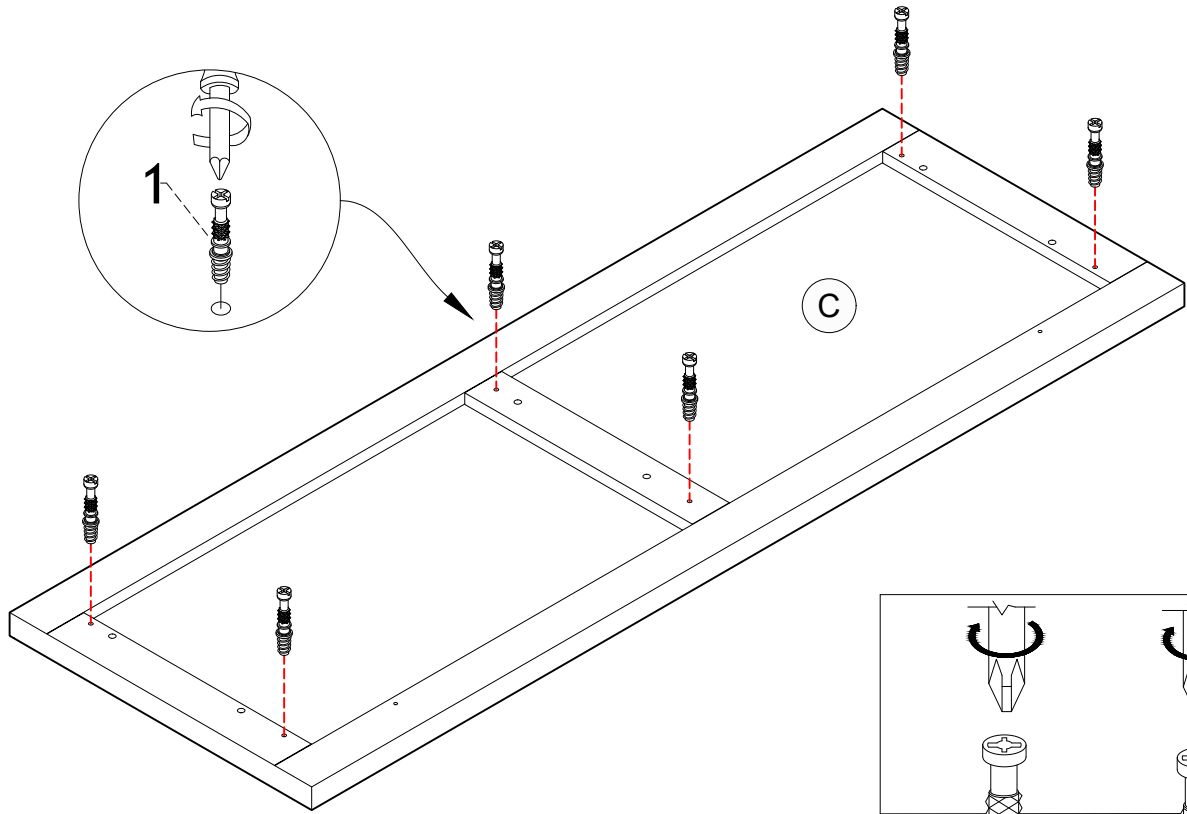


-  STEP 1  
UNLOCK
-  STEP 2
-  STEP 3  
LOCK






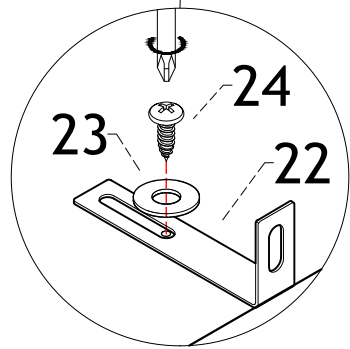
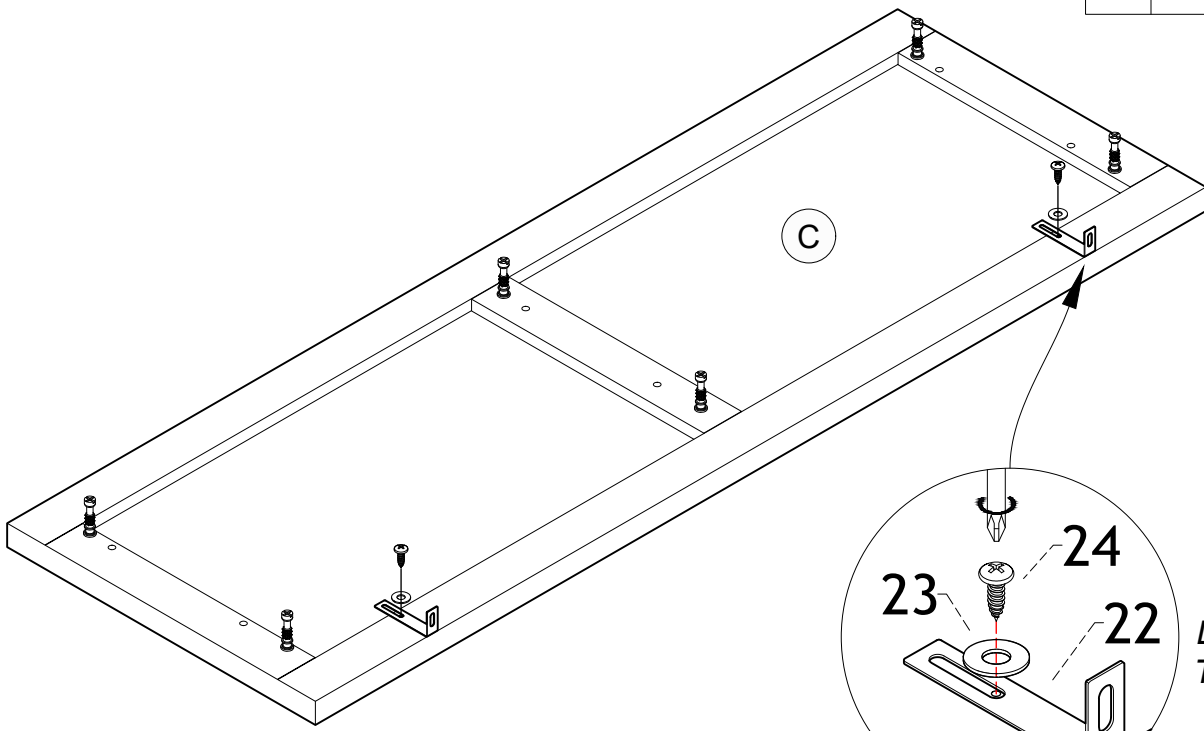
**STEP 25**

1		6 pcs
---	--	-------



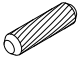
**STEP 26**

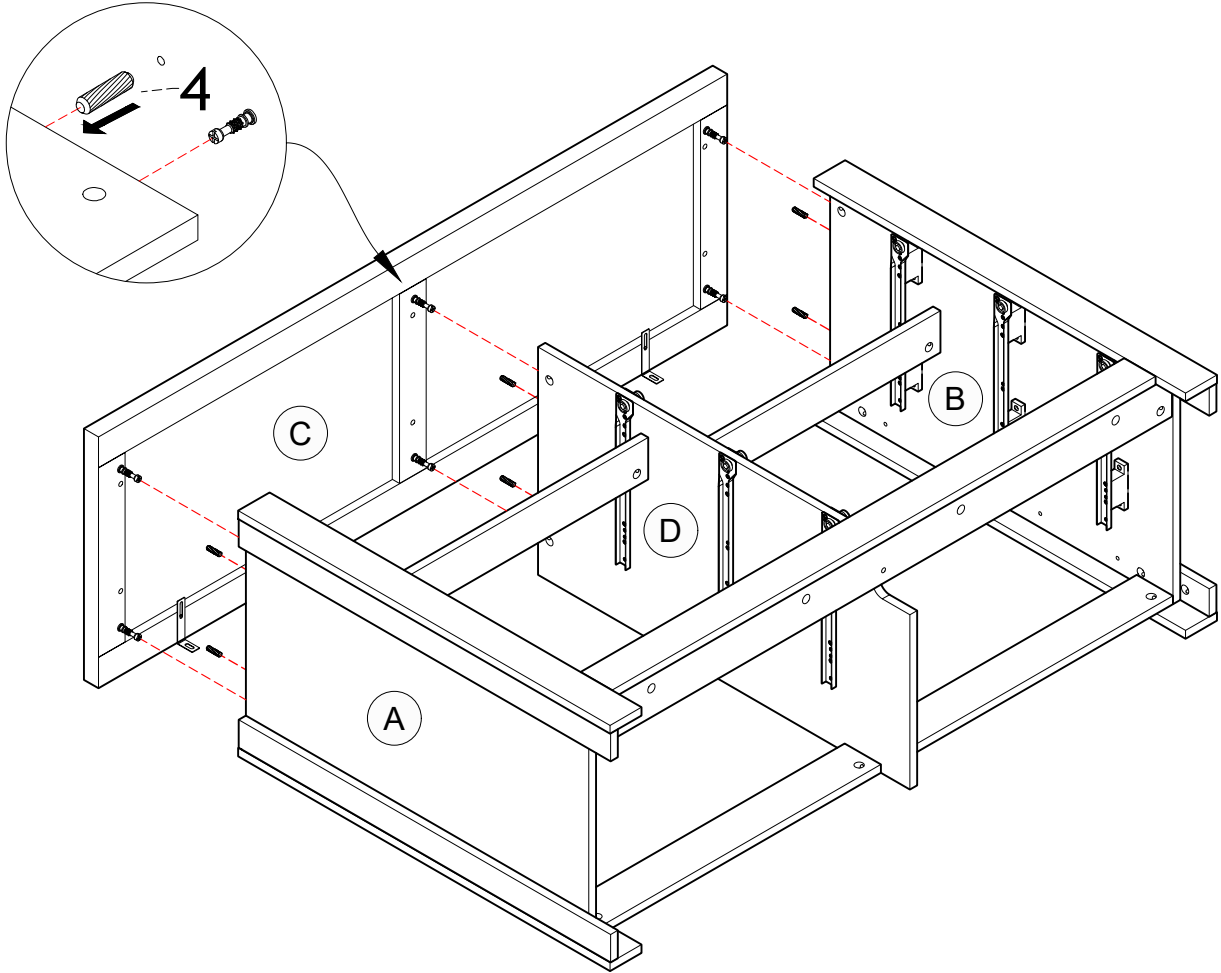
22		2 pcs
23		2 pcs
24		2 pcs





**DO NOT FIT TOO TIGHT.**

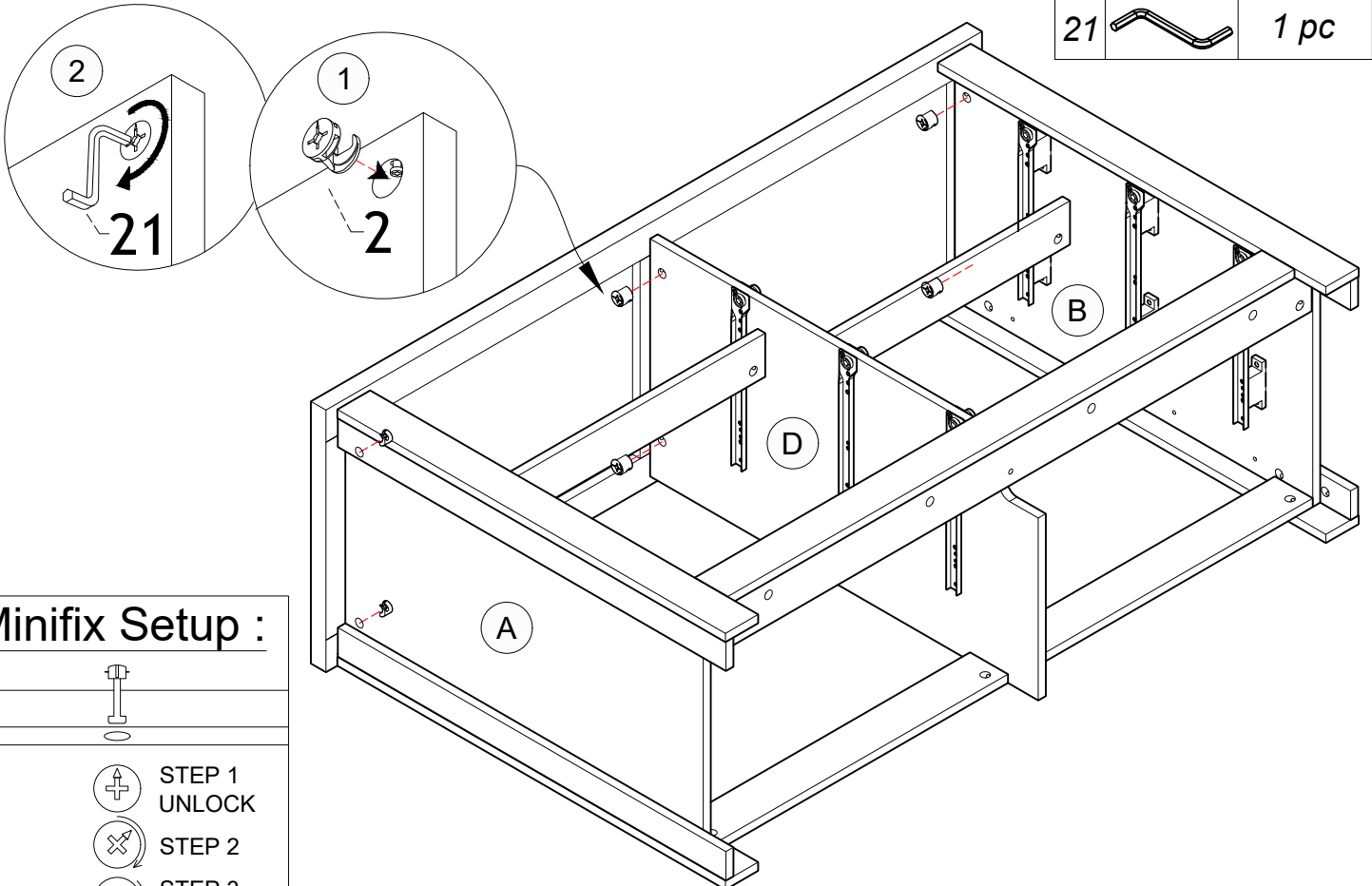
**STEP 27**

4		6 pcs
---	--	-------






**STEP 28**



2		6 pcs
21		1 pc

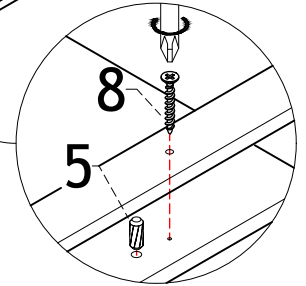
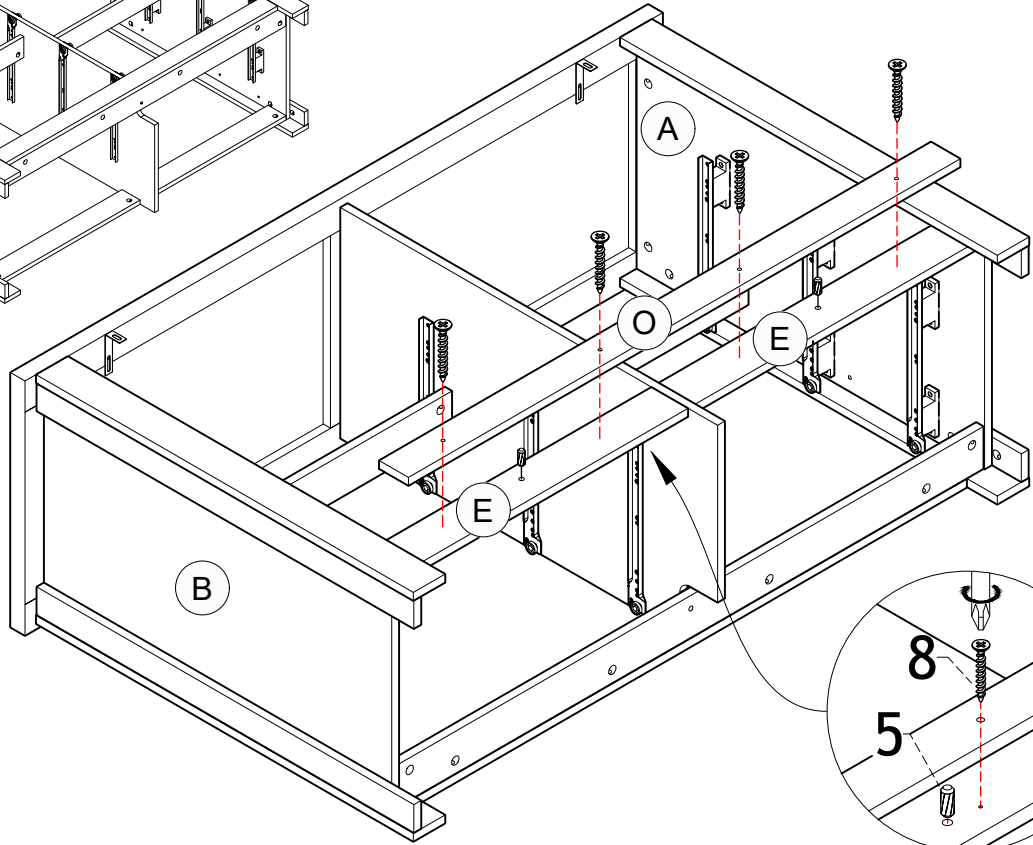
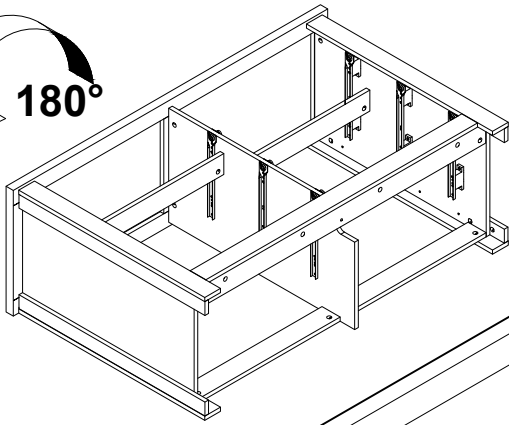
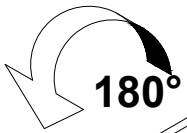


**Minifix Setup :**

-  STEP 1  
UNLOCK
-  STEP 2
-  STEP 3  
LOCK

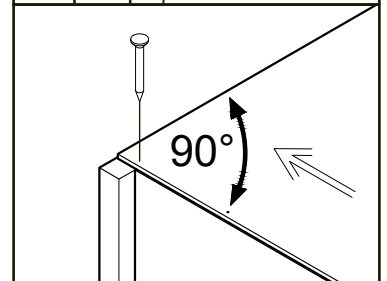
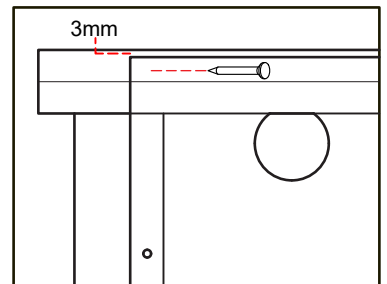
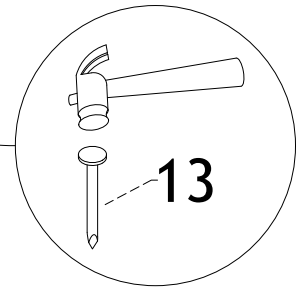
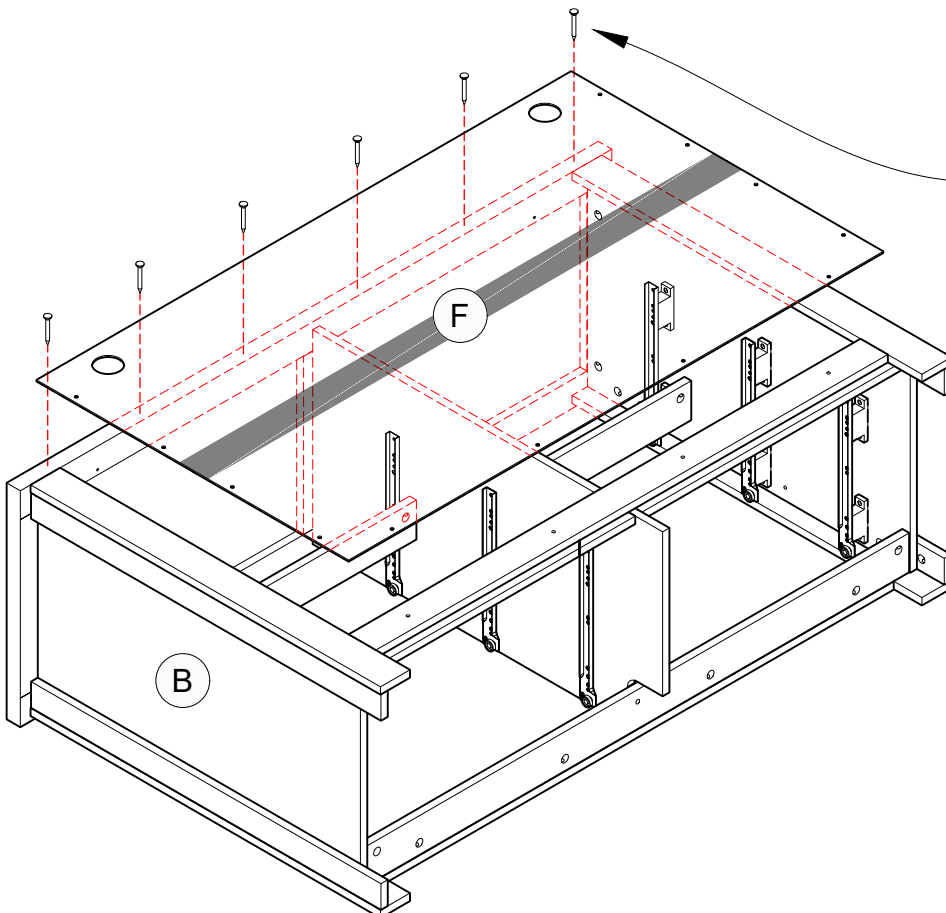
STEP 29

5		2 pcs
8		4 pcs



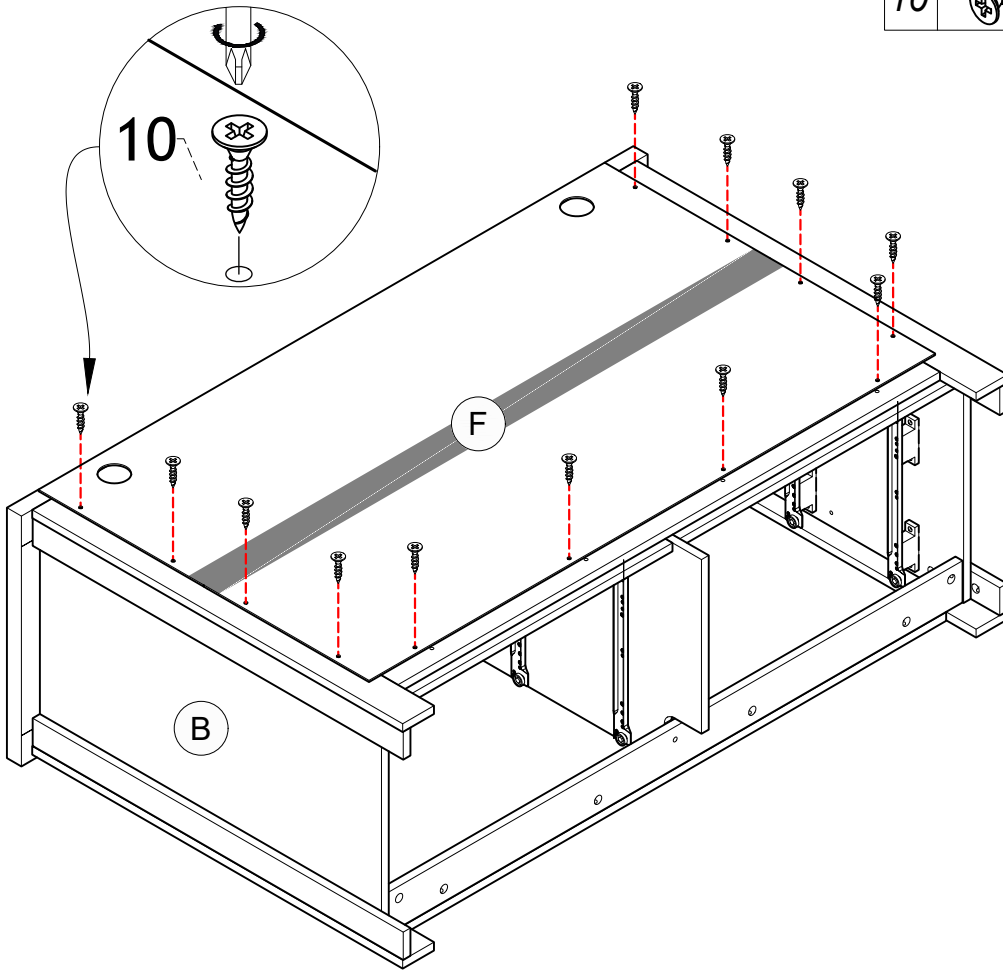
STEP 30

13		6 pcs
----	---	-------

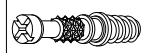


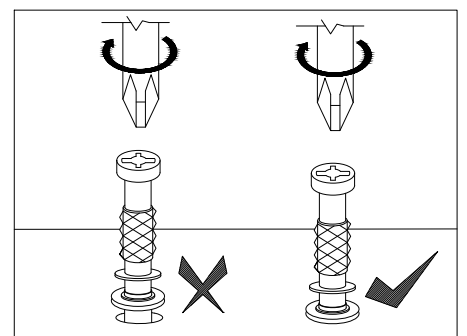
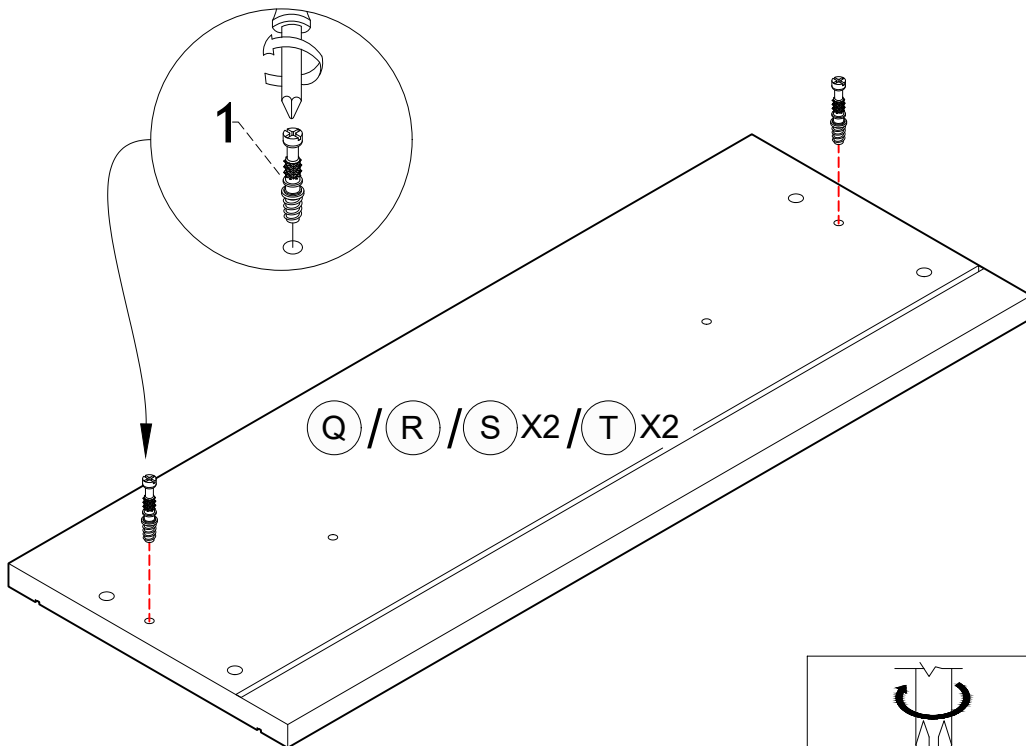
STEP 31

10		12 pcs
----	--	--------

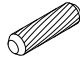


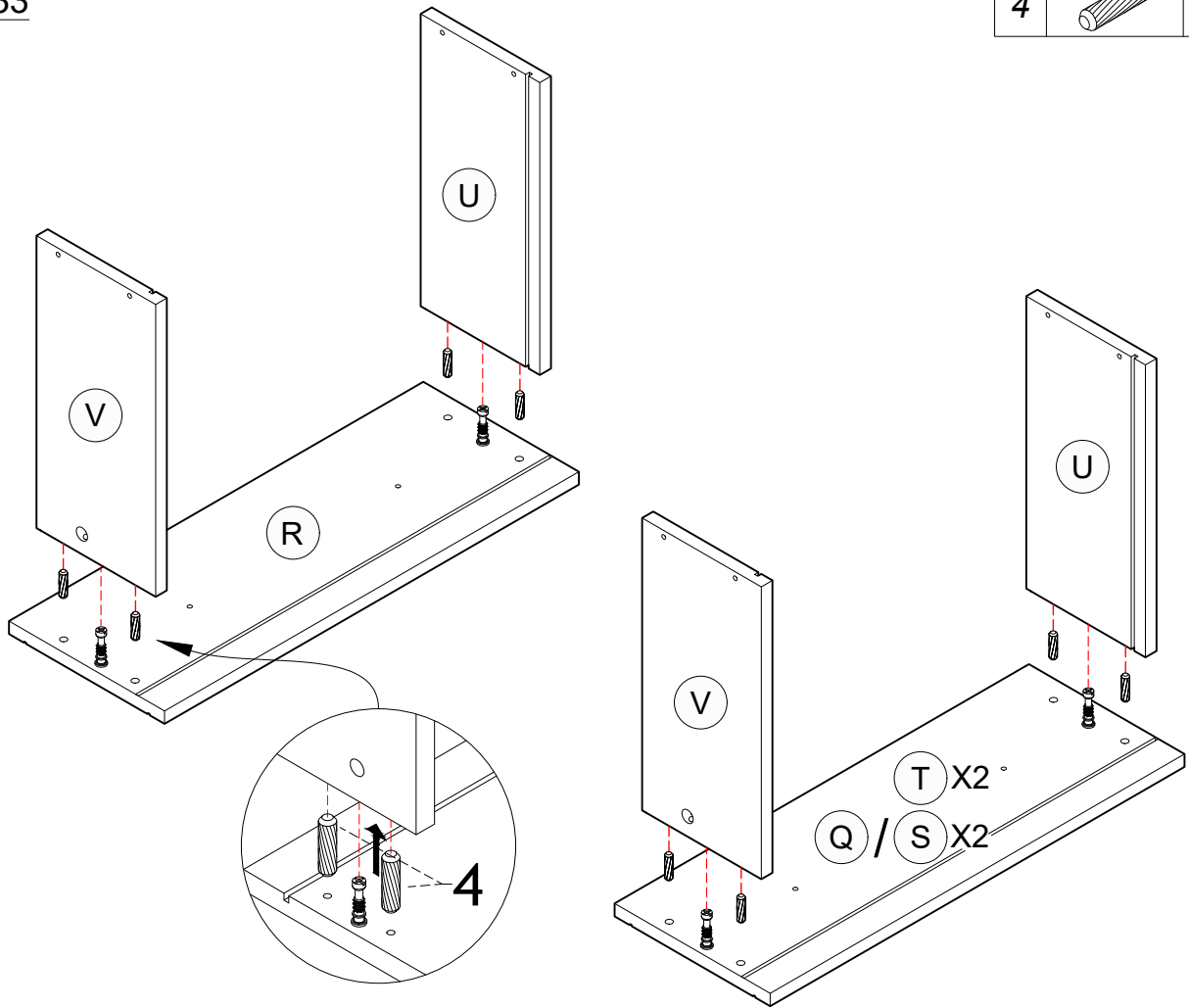
STEP 32

1		12 pcs
---	---	--------





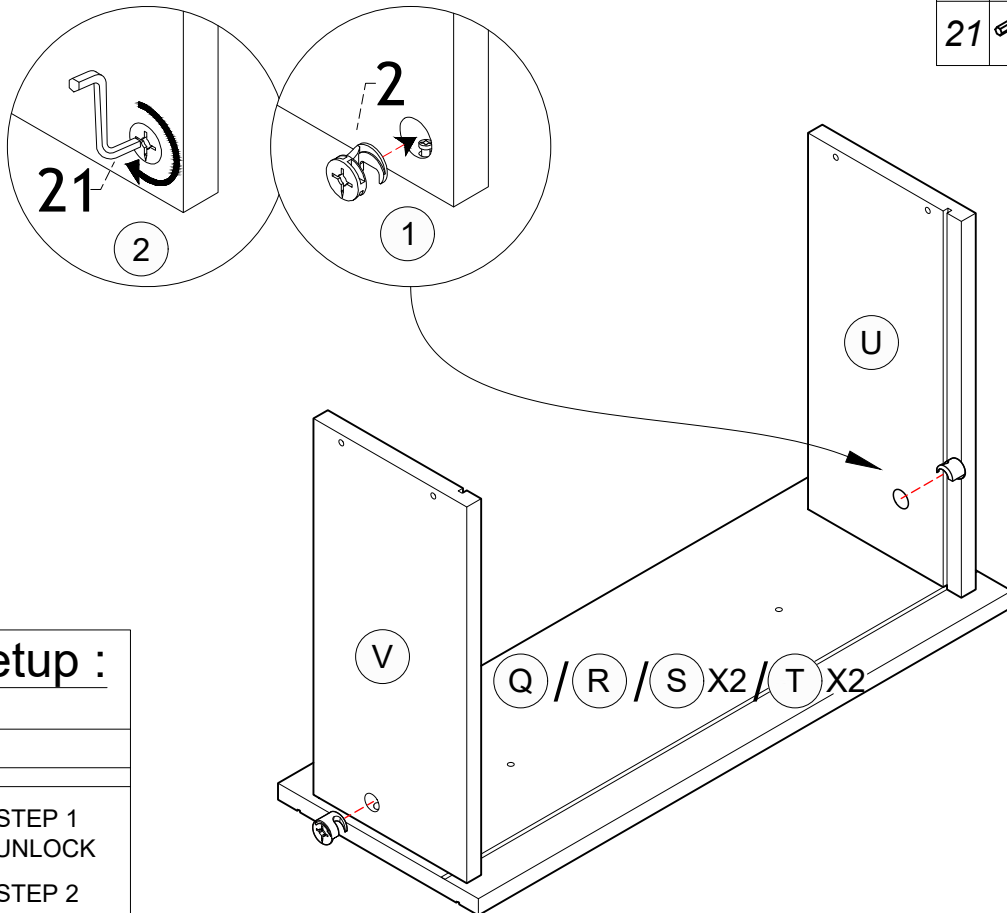
**STEP 33**

4		24 pcs
---	--	--------







**STEP 34**

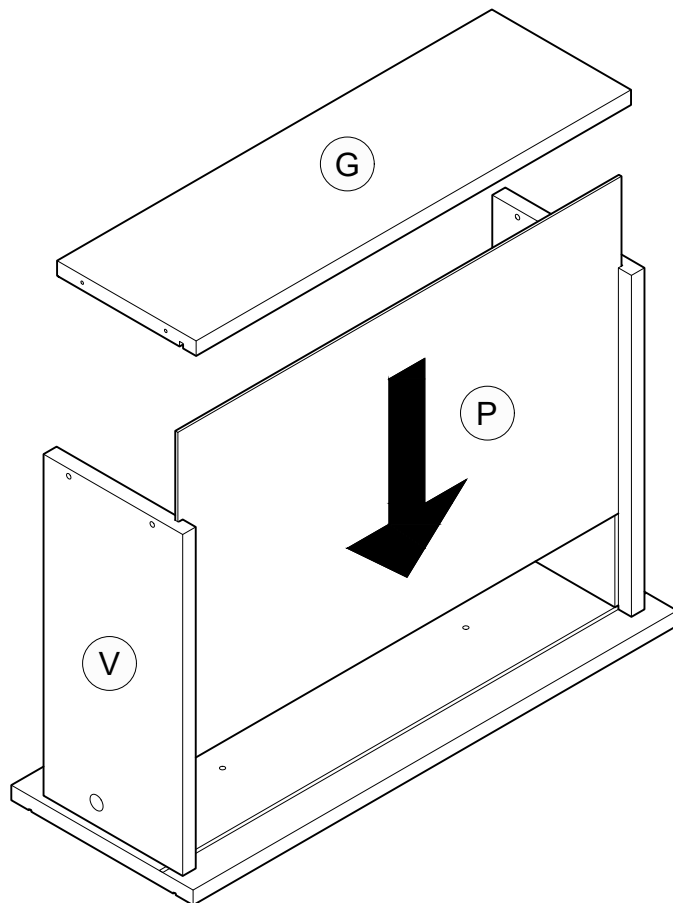
2		12 pcs
21		1 pc



**Minifix Setup :**

	
	STEP 1 UNLOCK
	STEP 2
	STEP 3 LOCK

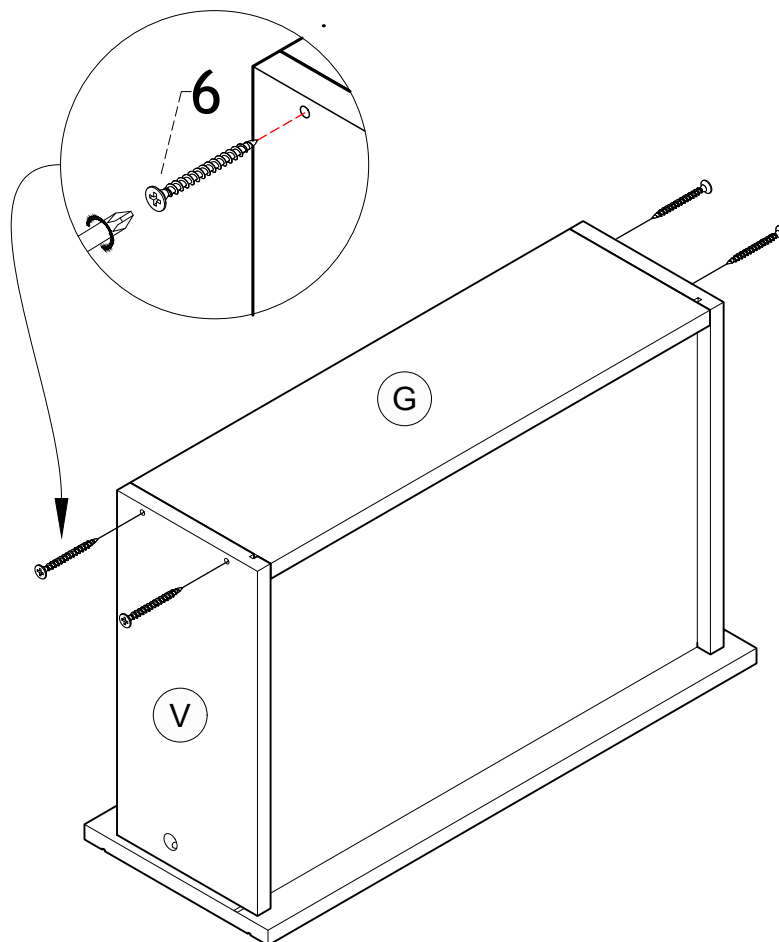
STEP 35



(X6)



STEP 36

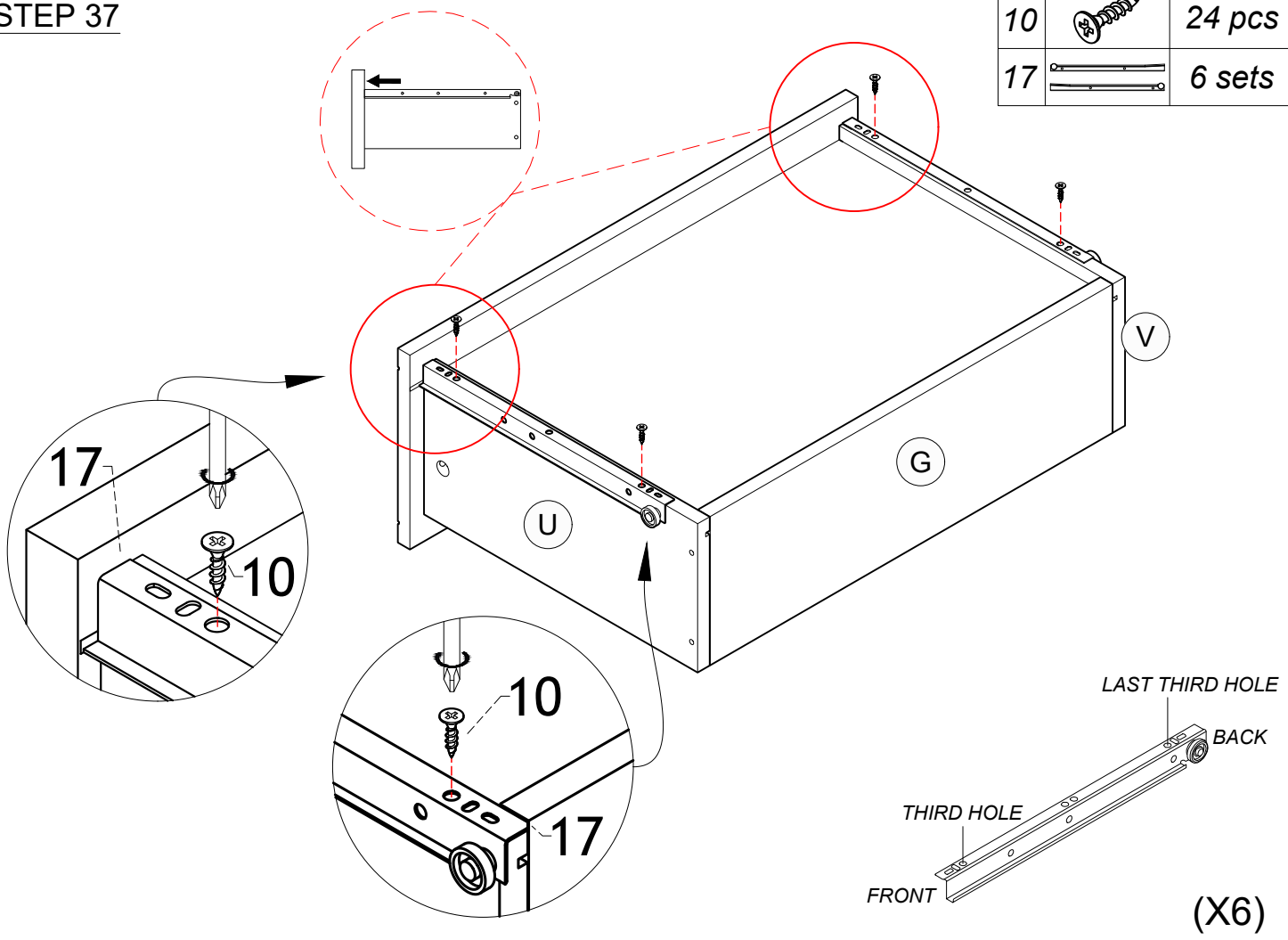
6		24 pcs
---	---	--------



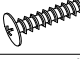

(X6)

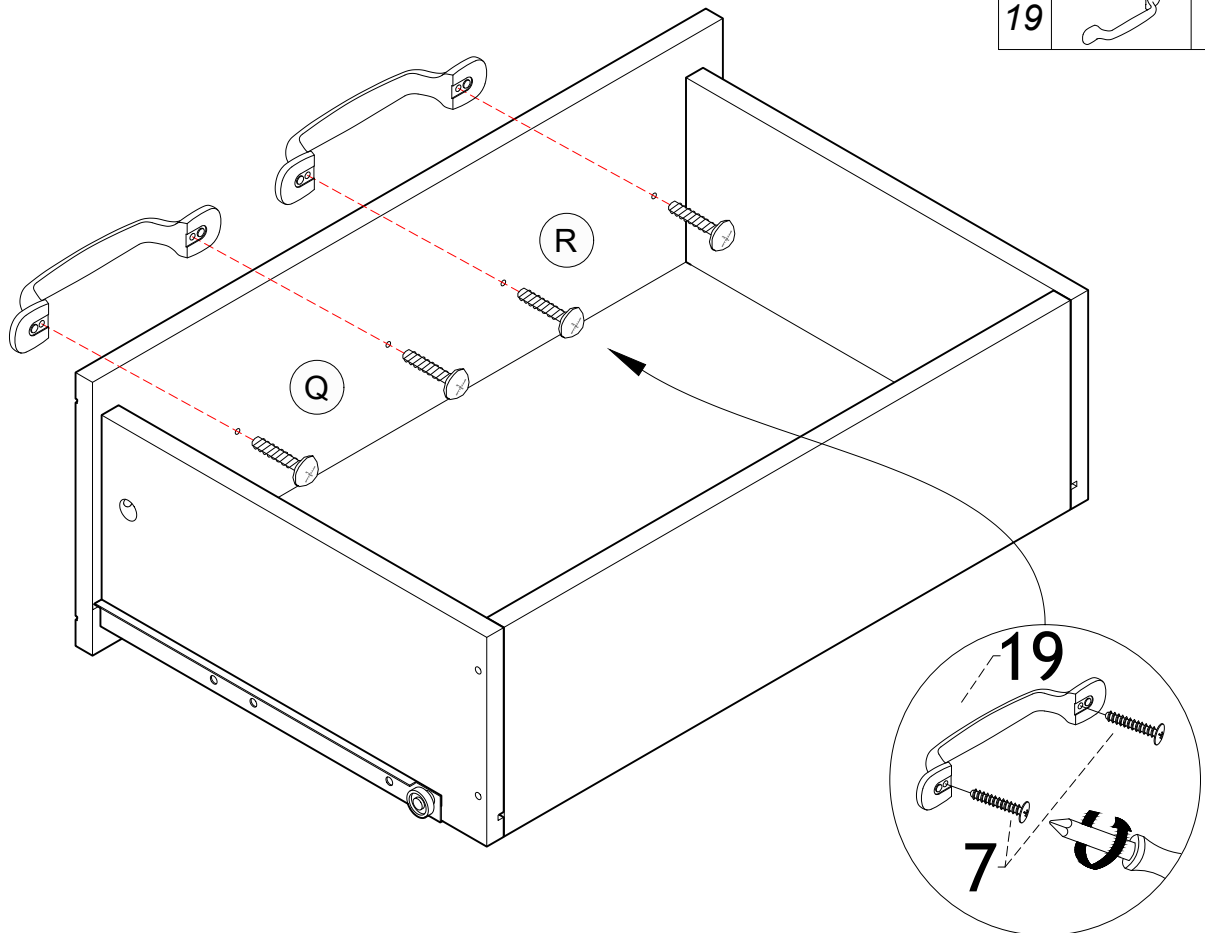
**STEP 37**

10		24 pcs
17		6 sets





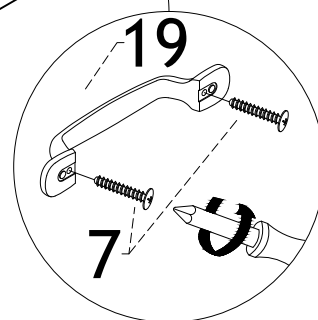
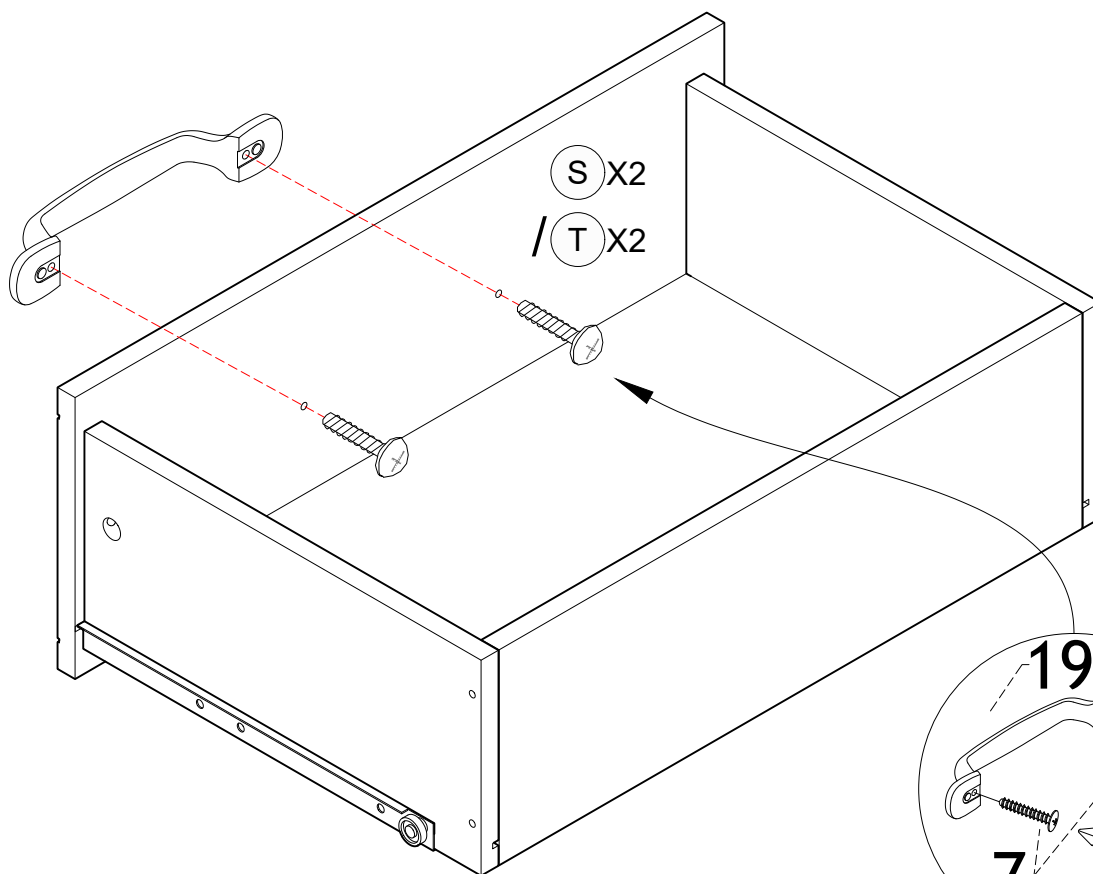
**STEP 38**

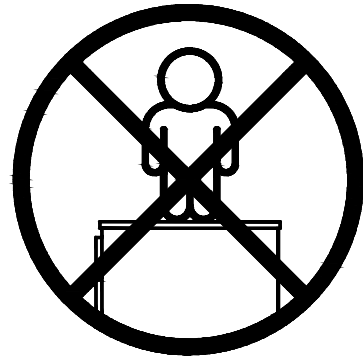
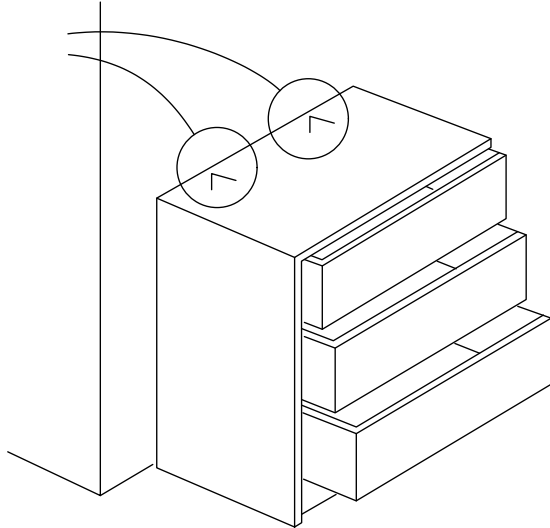
7		8 pcs
19		4 pcs



STEP 39

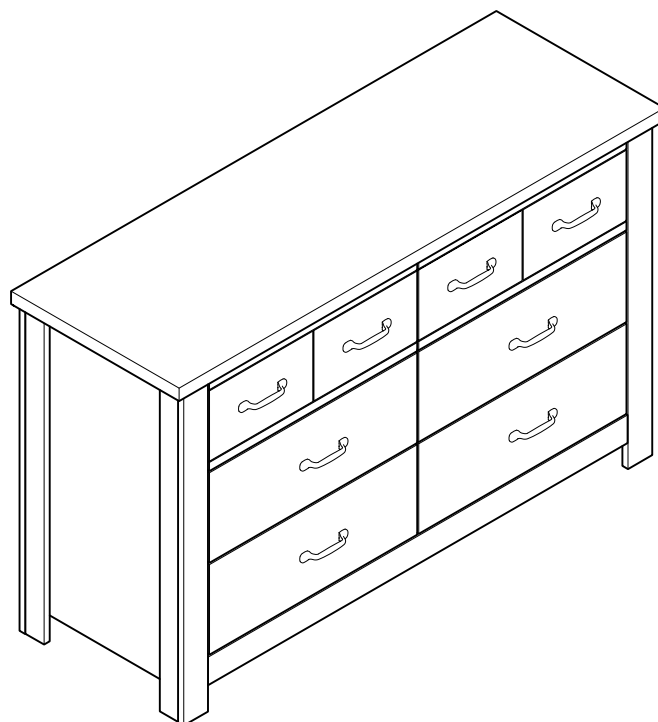
7		8 pcs
19		4 pcs





---

**IMPORTANT: THIS UNIT MUST BE SECURE TO THE WALL TO HELP PREVENT TIPOVER. FOLLOW THESE INSTRUCTIONS TO INSTALL THE ANTI-TIPPING SAFETY BRACKET PROVIDED WITH THIS PRODUCT.**

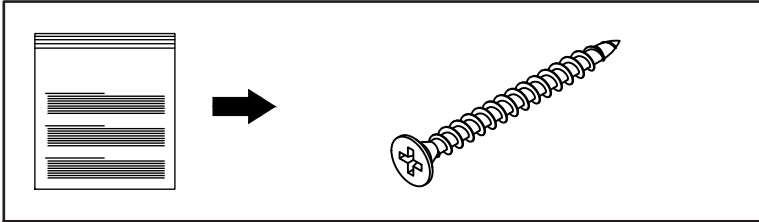


STEP 40

25

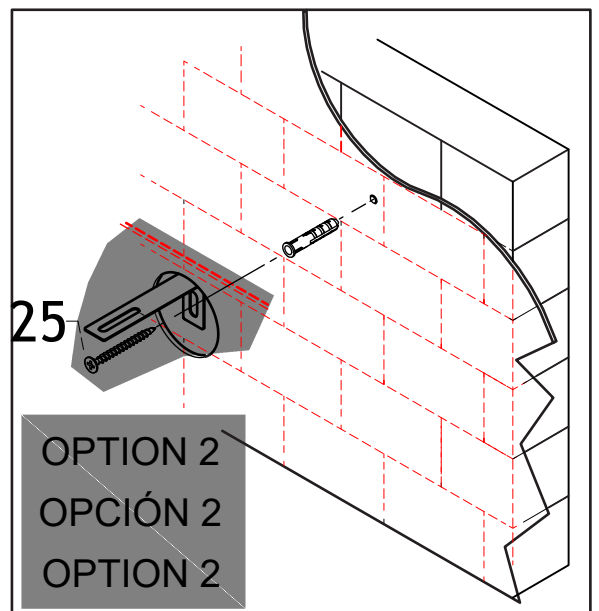
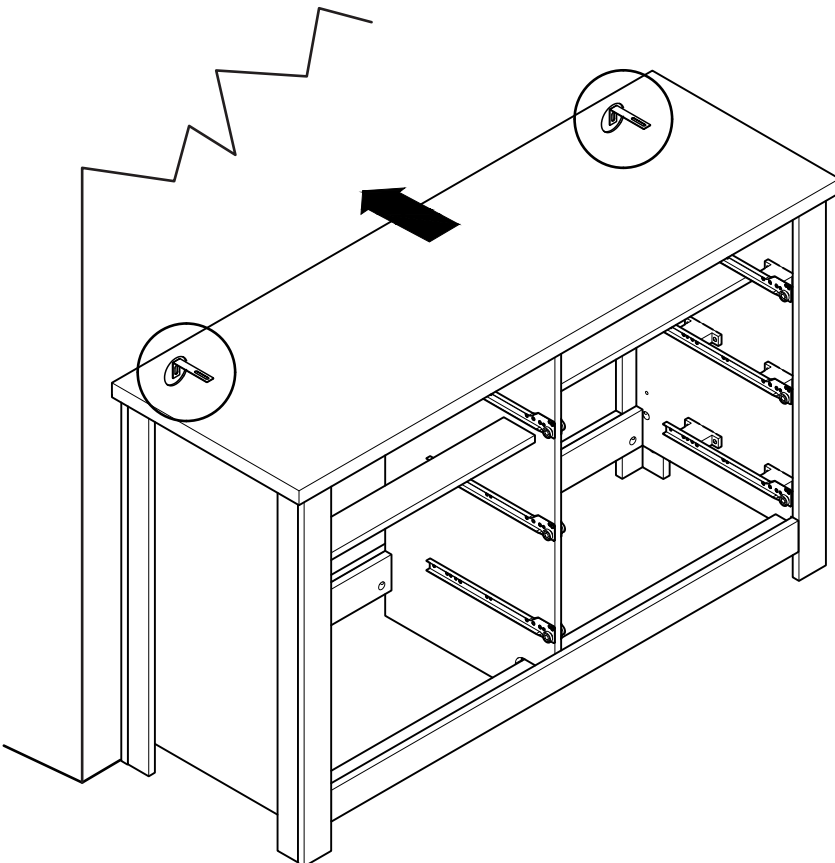
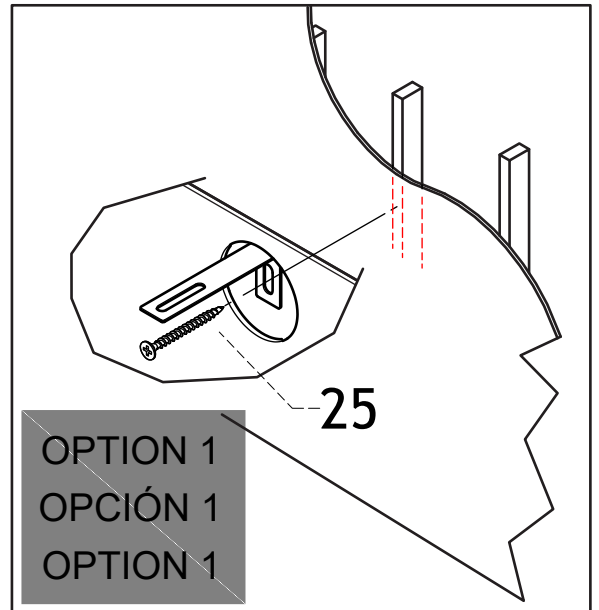
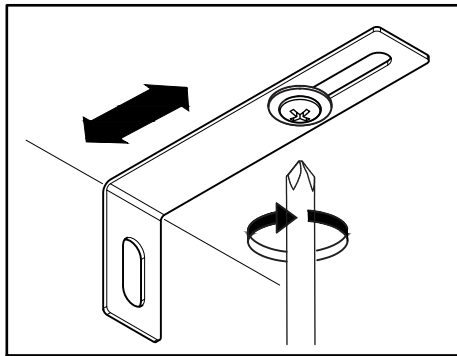


2 pcs



**Drywall anchor that supplied with this product is general purpose wall plug only.**

Consult your local hardware store for appropriate anchors for the type of wall you intend to securely attach the safety bracket.



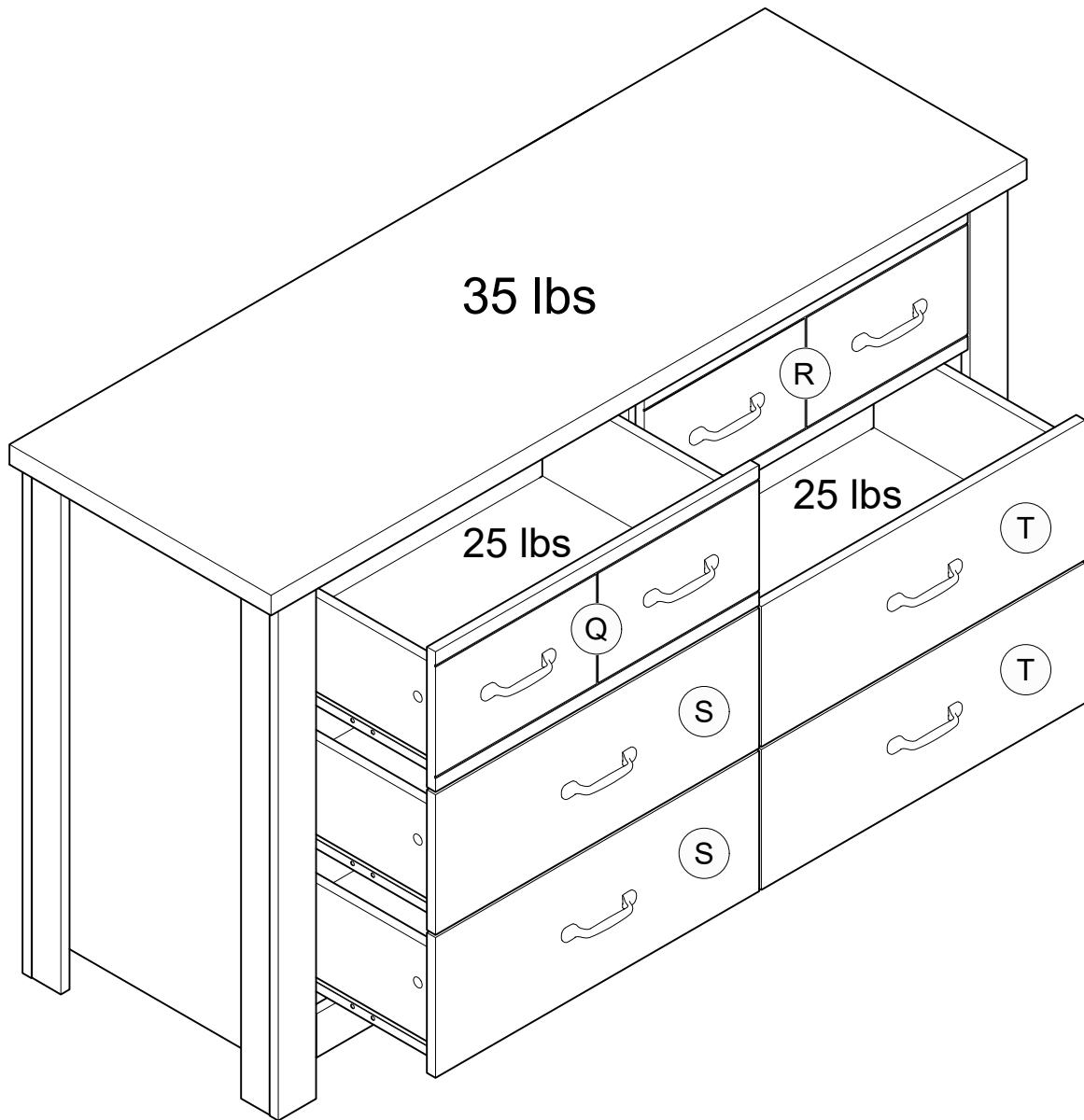
**OPTION 1: Attachment into a wall stud (preferred method)**

Using a stud finder, locate a stud in the wall. Place your unit against the wall, with the safety bracket aligned in this location. To make driving the screw easier, you can drill a 3mm diameter pilot hole through the safety bracket into the stud. Drive the screw through the safety bracket into the wall stud. Tighten the screw that was not fully tightened in step 9.

**OPTION 2: Attachment into masonry**

Locate your unit where desired against a wall and mark the wall through the safety bracket, then move your unit aside. Drill a 6mm diameter hole into the wall. Tap the wall anchor into the hole until it is flush. Move your unit into location and fasten the wall bracket to the wall anchor with the screw. Tighten the screw that was not fully tightened in step 9.

STEP 41



This product is designed to withstand the weight vindicated on the plan. We are not responsible for the breakage of parts or any injury caused by failure to comply with this recommendation.

