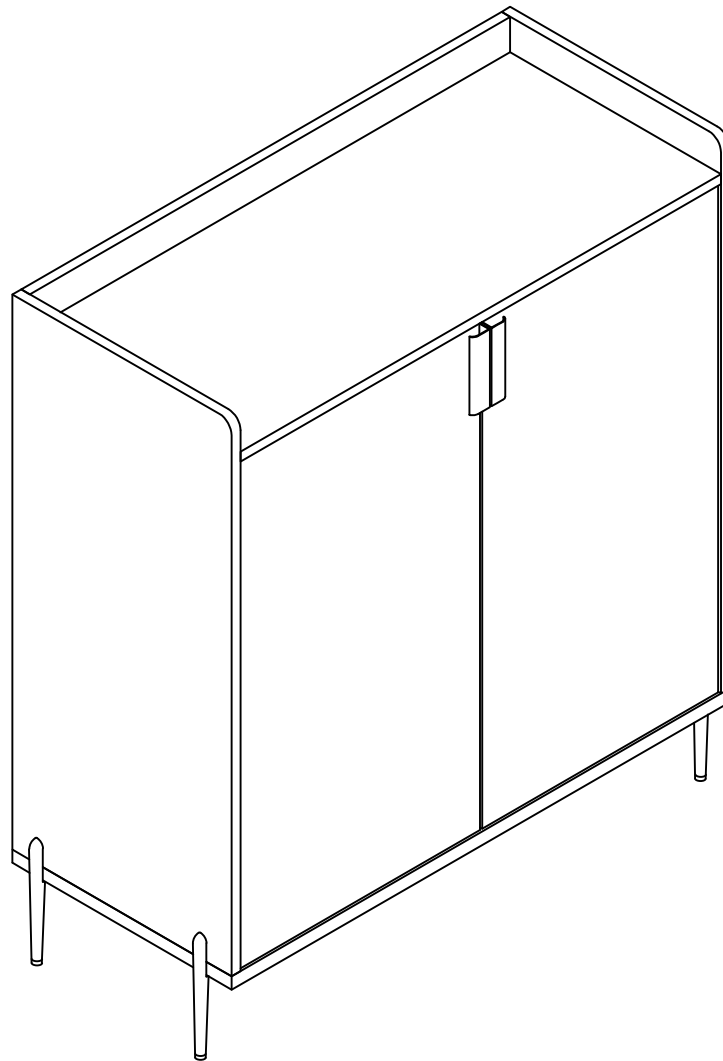
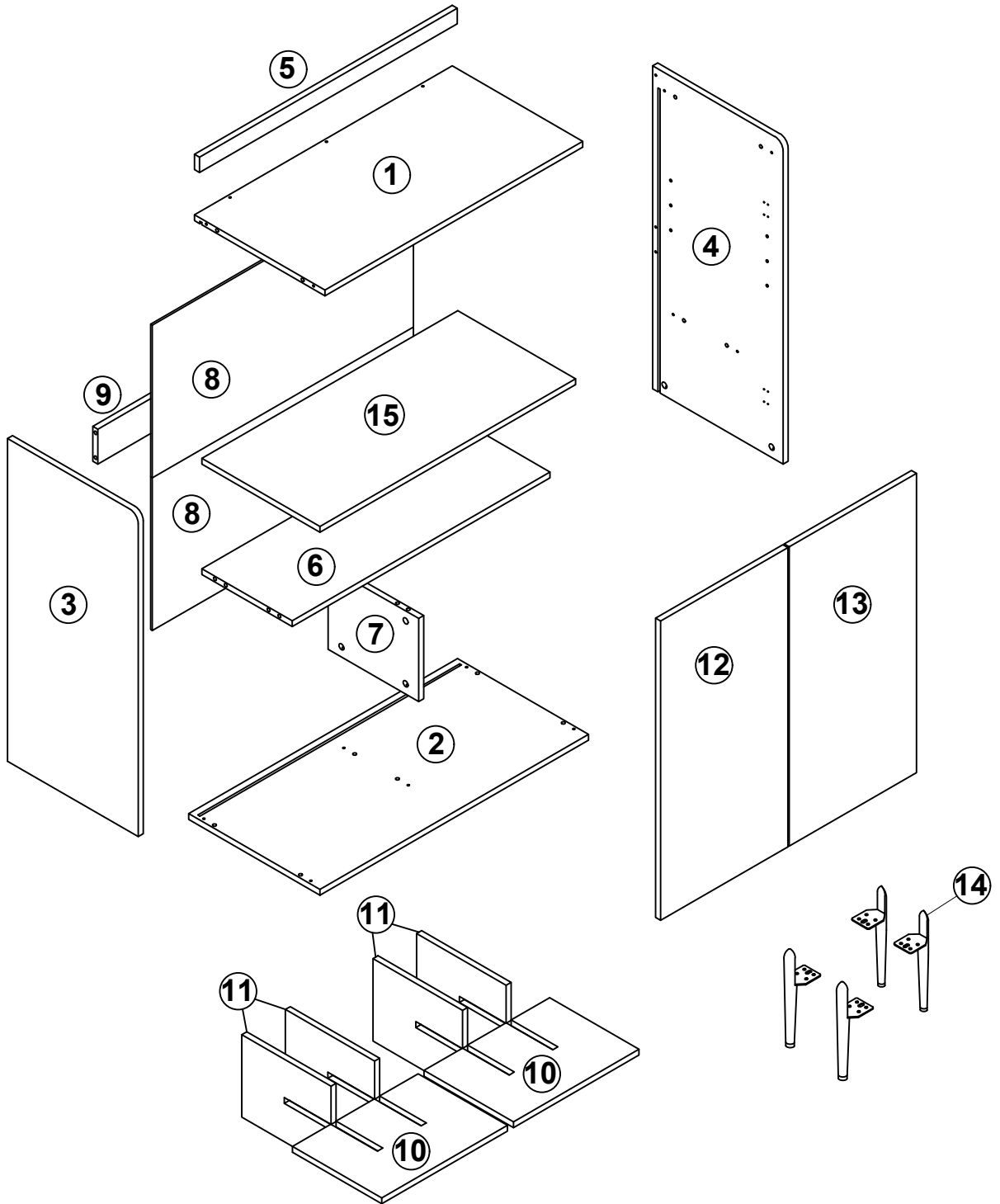


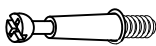

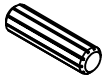


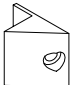


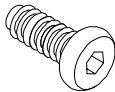
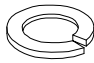
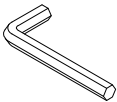
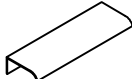
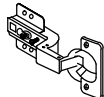
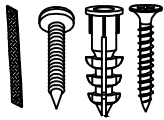
Assembly Instruction



ASSEMBLY INSTRUCTION



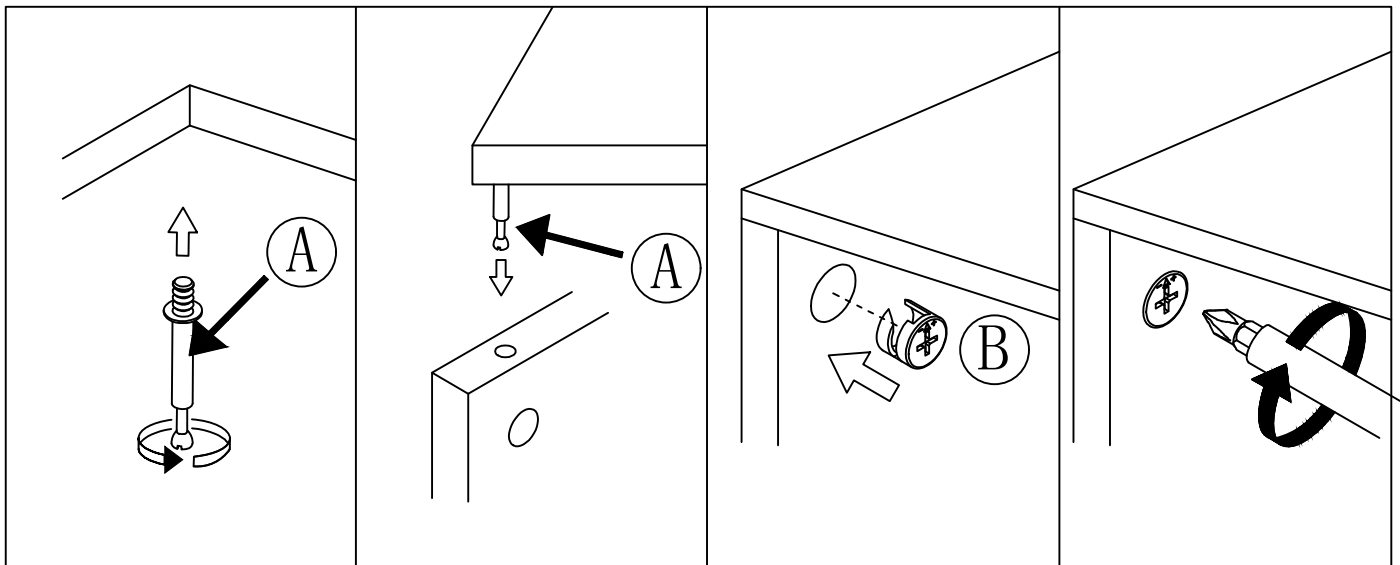
HARDWARE

<p>A x 25+2spare</p>  <p>Ø6 x 32mm</p>	<p>B x 25+2spare</p>  <p>Ø15 x 10mm</p>	<p>C x 16+2spare</p>  <p>Ø8*30mm</p>	<p>D x 4+1spare</p>  <p>Ø3*18mm</p>	<p>E x 28+2spare</p>  <p>Ø3.5*12mm</p>
<p>F x 4+1spare</p> 	<p>G x 4+1spare</p> 	<p>H x 25+2spare</p>  <p>Ø20mm</p>	<p>I x 16+2spare</p>  <p>M6*15mm</p>	<p>J x 16+2spare</p>  <p>Ø11*1.5mm</p>
<p>K x 1</p> 	<p>L x 2</p>  <p>120*40 mm</p>	<p>M x 4</p> 	<p>N x 2</p> 	

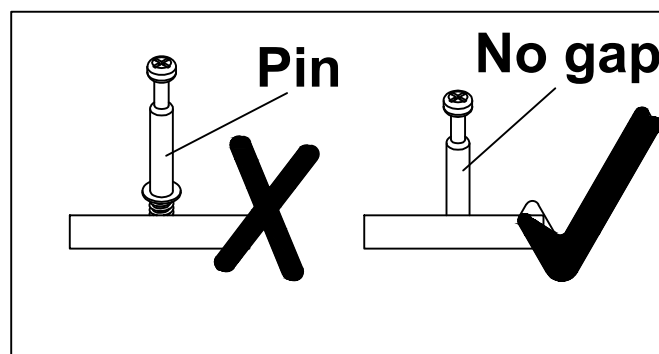
ASSEMBLY INSTRUCTION

Installation of Cams and Pins

Screw the pin into the hole. To set the cams correctly, ensure that the arrow on the cam is opening to the hole of the pin it is locking. Lock the cam by turning the cam head with a screwdriver until it is tightened. Please do not use an electric screwdriver to assemble the unit.

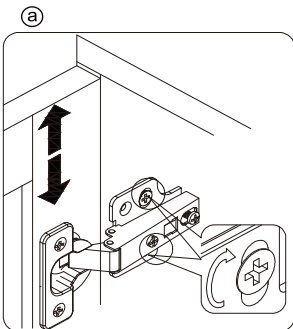


Read each step carefully before starting. It is very important that each step of instruction is performed in the correct order. If these steps are not followed in sequence, assembly difficulties will occur.



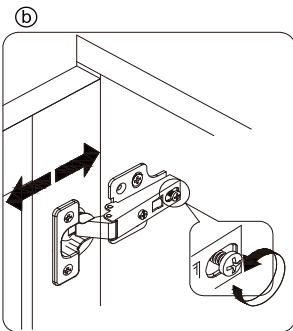
HINGE ADJUSTMENT GUIDE

It may be necessary to adjust the hinges so that the doors align. Use the instructions below as a guide.



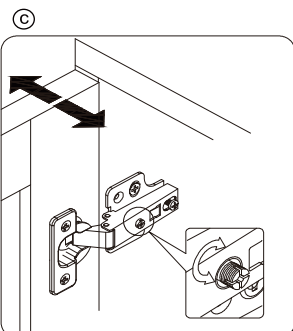
Up and Down Adjustment

To adjust the door vertically loosen the screw as shown and move up and down as needed.



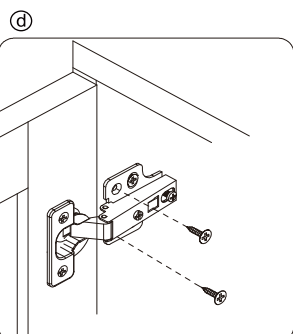
Front and Back Adjustment

To adjust the gap from the door to the main frame turn the screw clockwise or anti-clockwise as needed.



Left and Right Adjustment

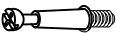
To adjust the door laterally adjust the screw as shown by turning clockwise or anti-clockwise.

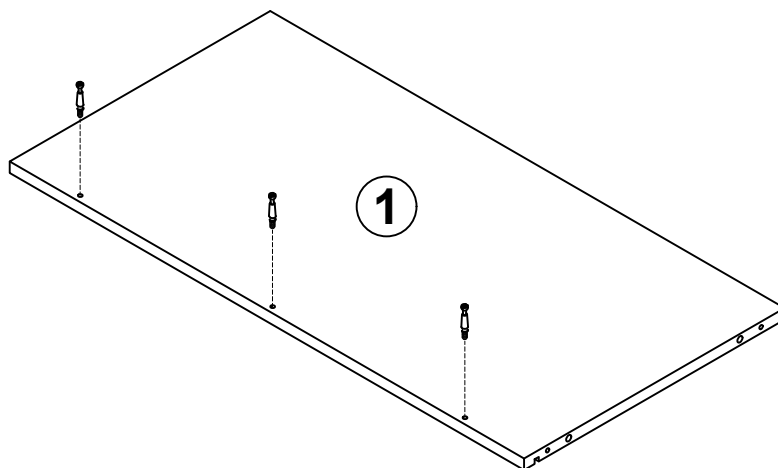


Please fix other screws.

ASSEMBLY INSTRUCTION

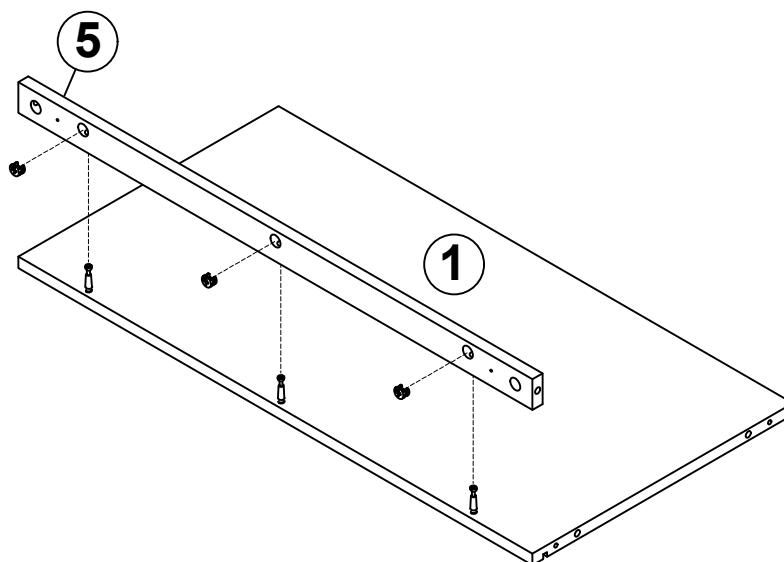
STEP 1

A:  3PCS



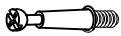
STEP 2

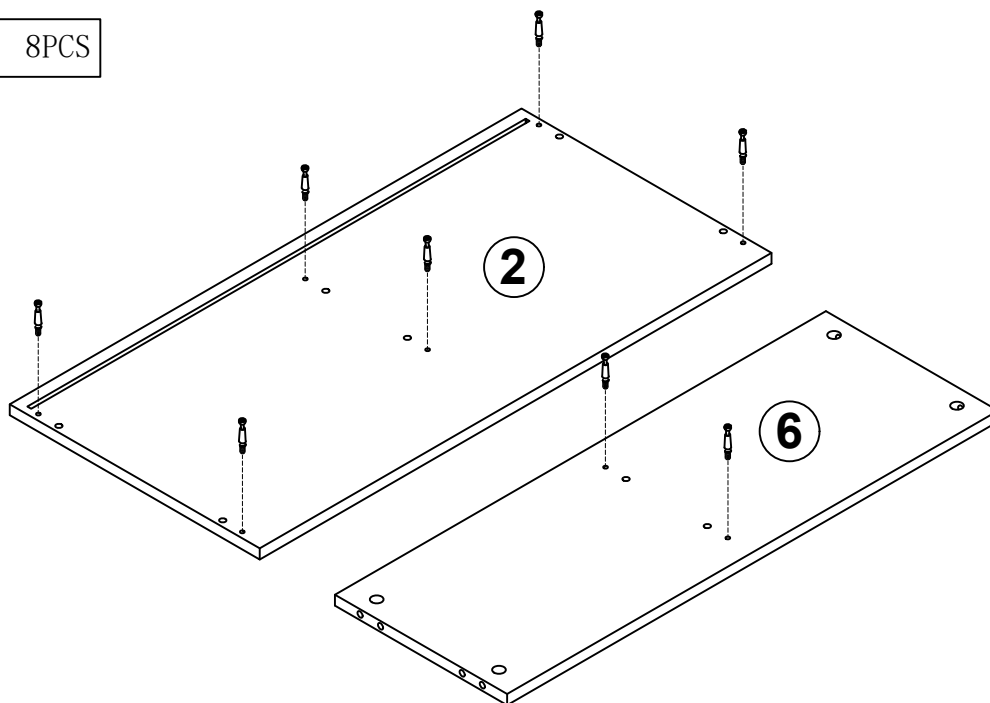
B:  3PCS



ASSEMBLY INSTRUCTION


STEP 3

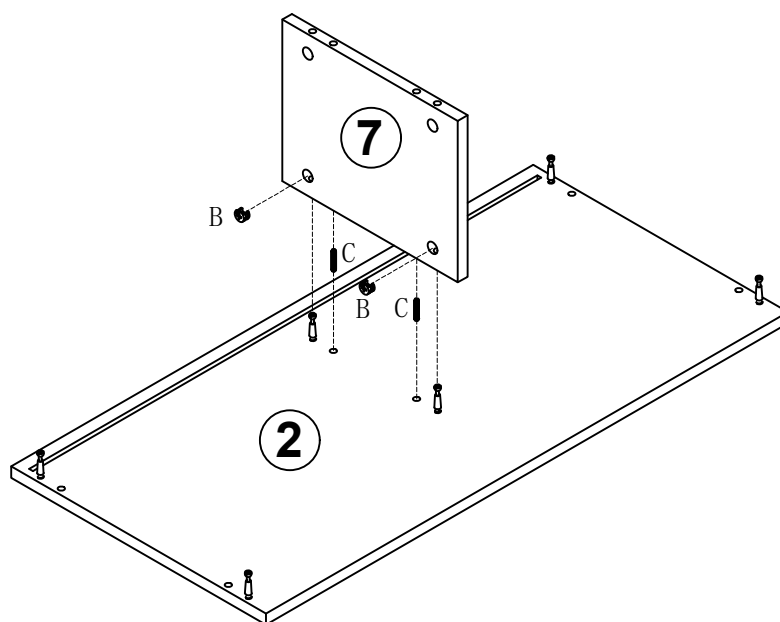
A:  8PCS



STEP 4

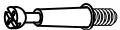
B:  2PCS

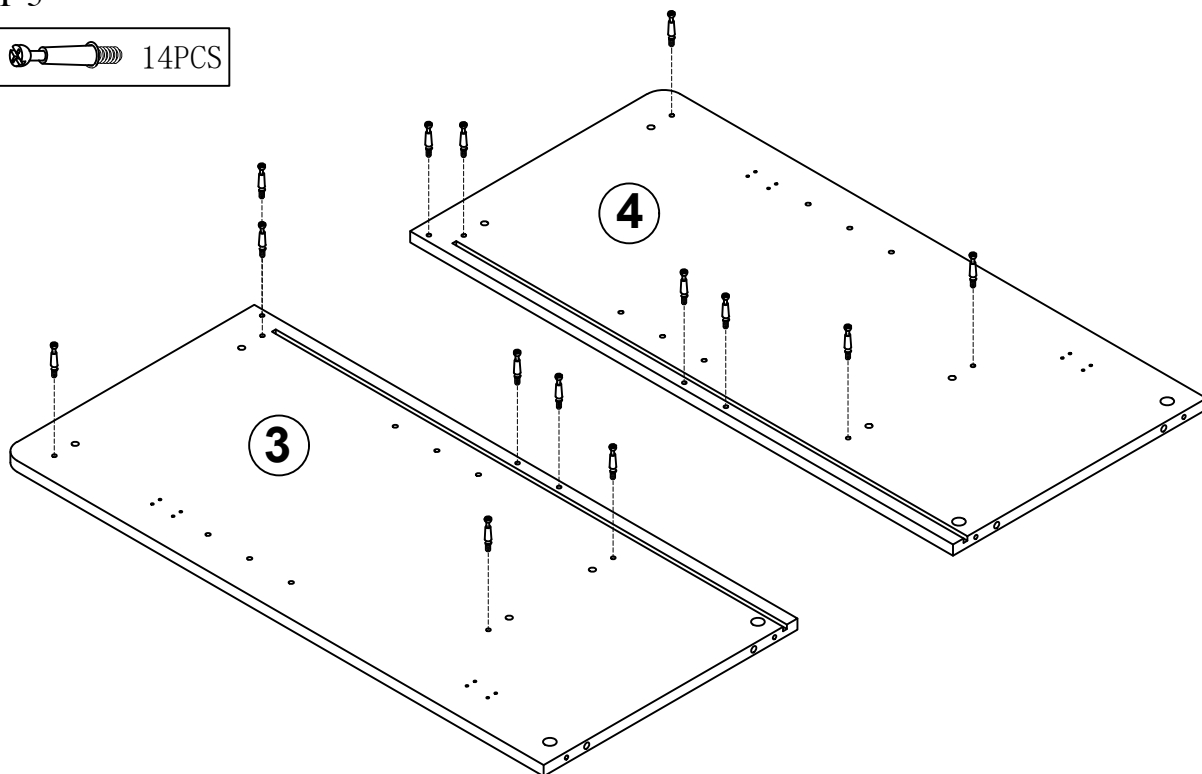
C:  2PCS



ASSEMBLY INSTRUCTION


STEP 5

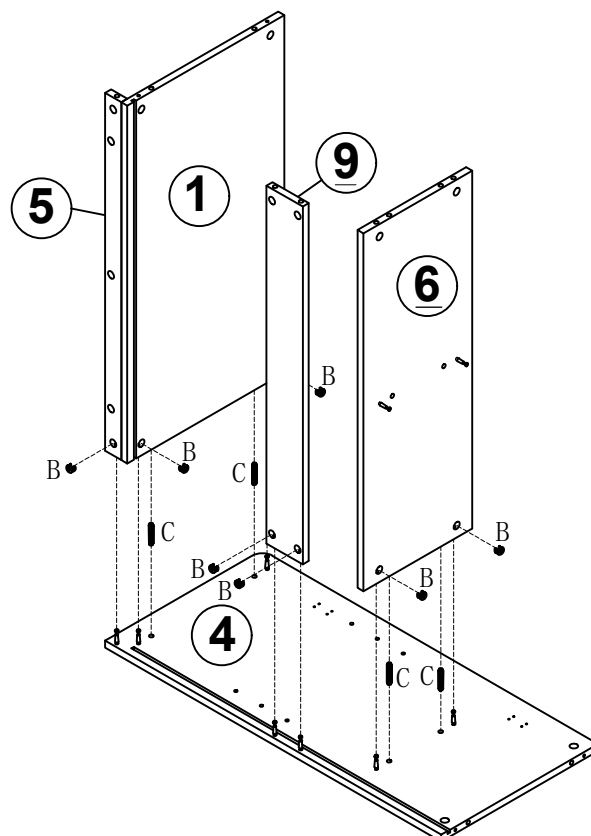
A:  14PCS



STEP 6

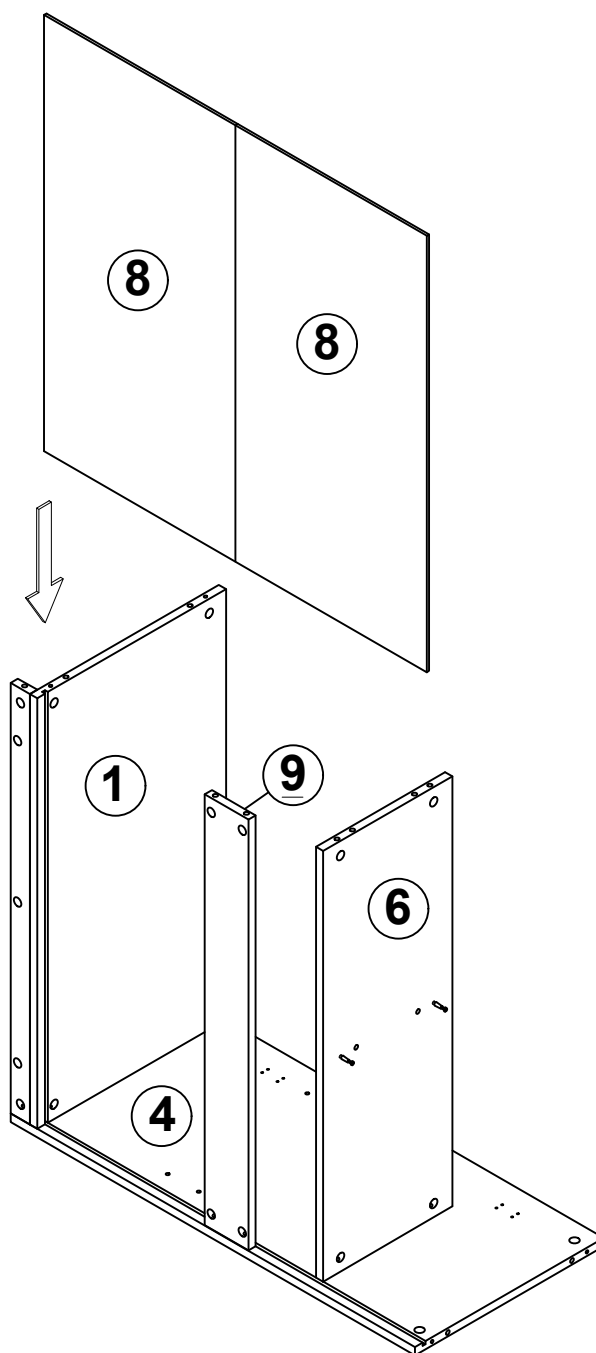
B:  7PCS

C:  4PCS





ASSEMBLY INSTRUCTION

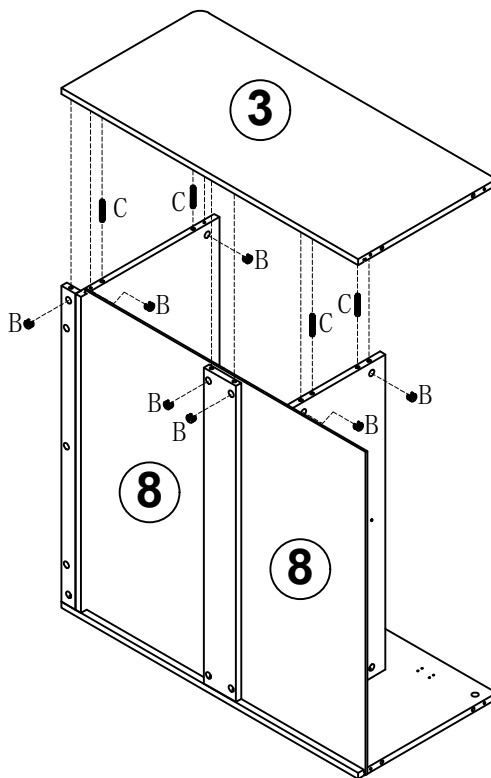
STEP 7





ASSEMBLY INSTRUCTION

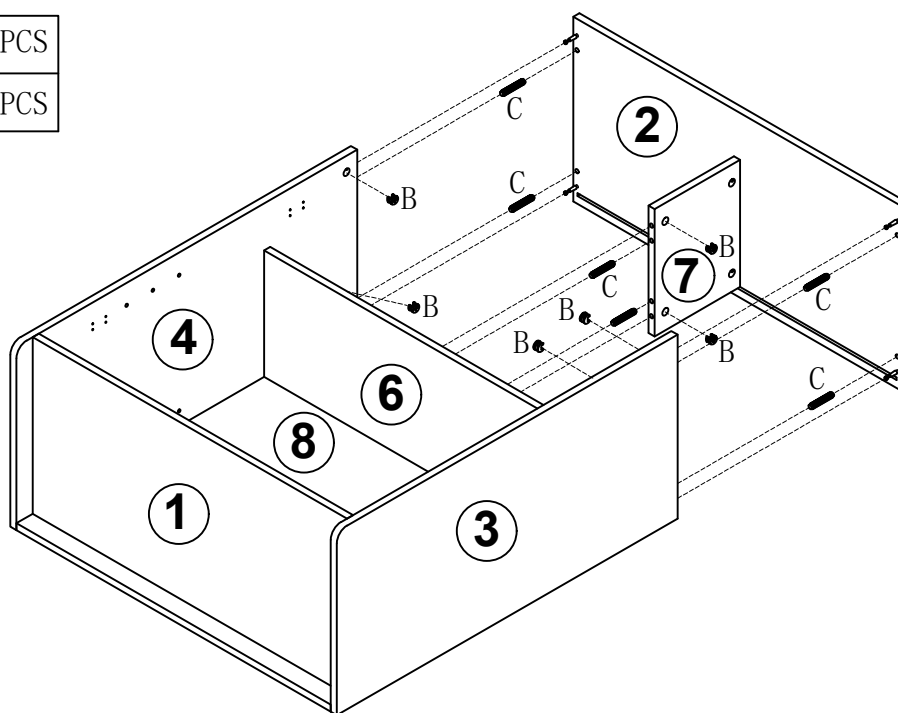
STEP 8

B:		7PCS
C:		4PCS






STEP 9

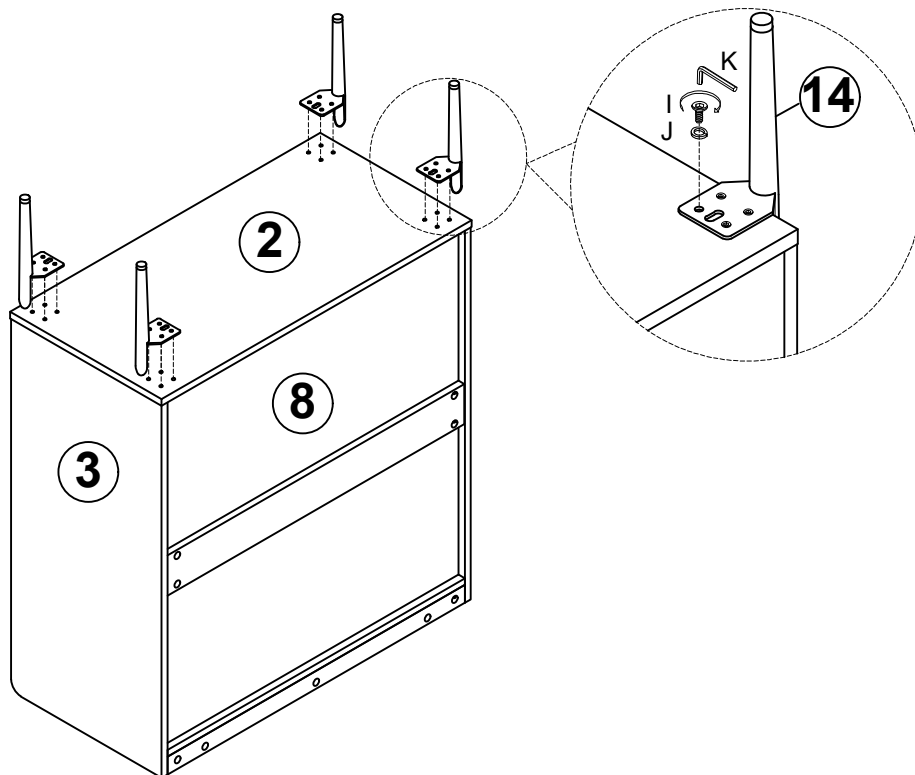
B:		6PCS
C:		6PCS




ASSEMBLY INSTRUCTION

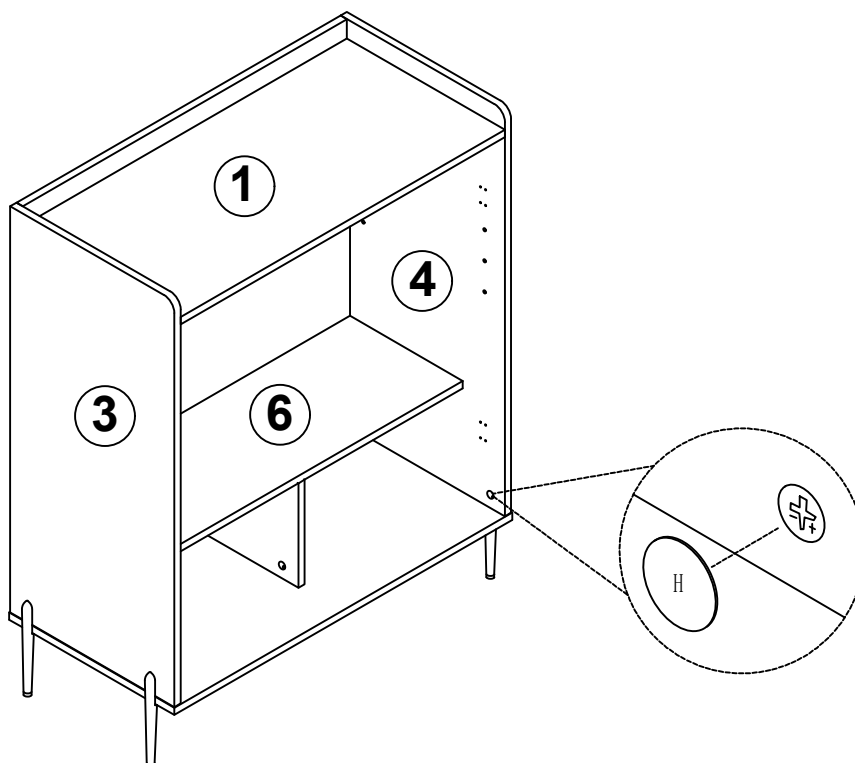
STEP 10

I:		16PCS
J:		16PCS
K:		1PC



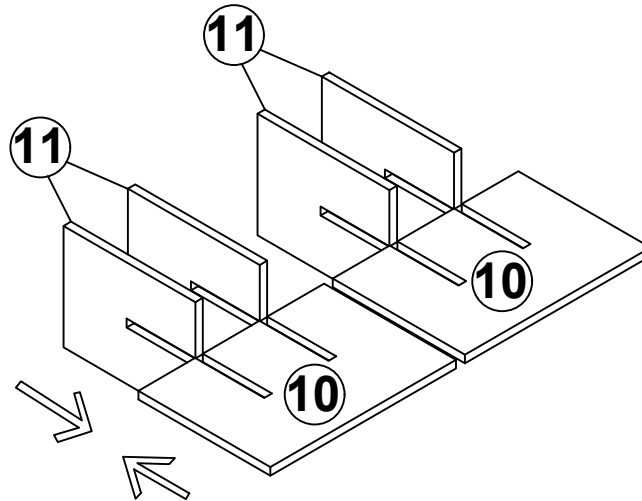
STEP 11

H:		25PCS
----	---	-------

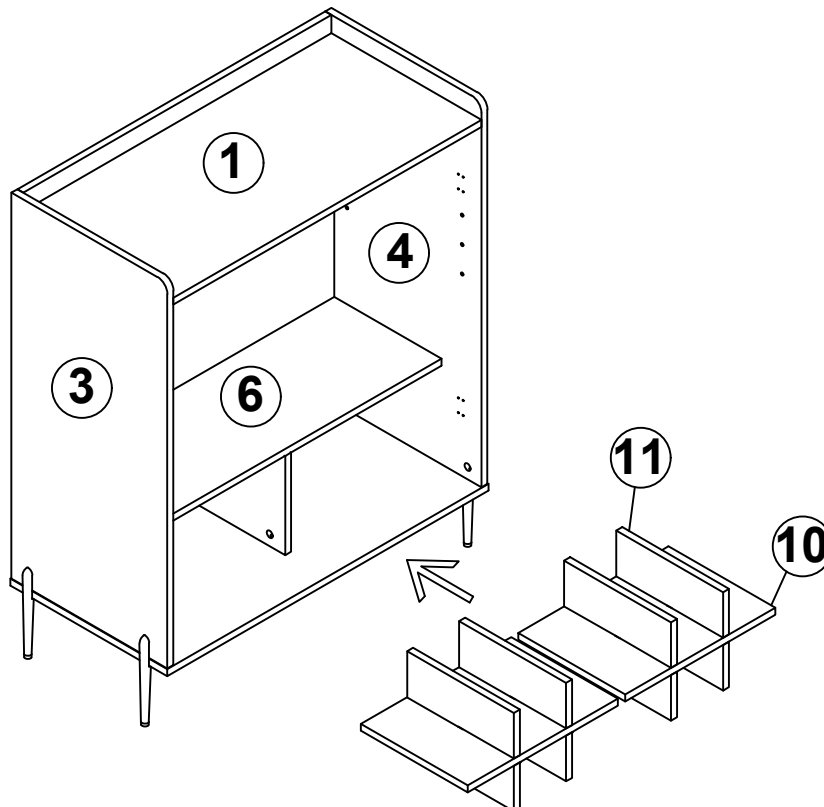


ASSEMBLY INSTRUCTION

STEP 12




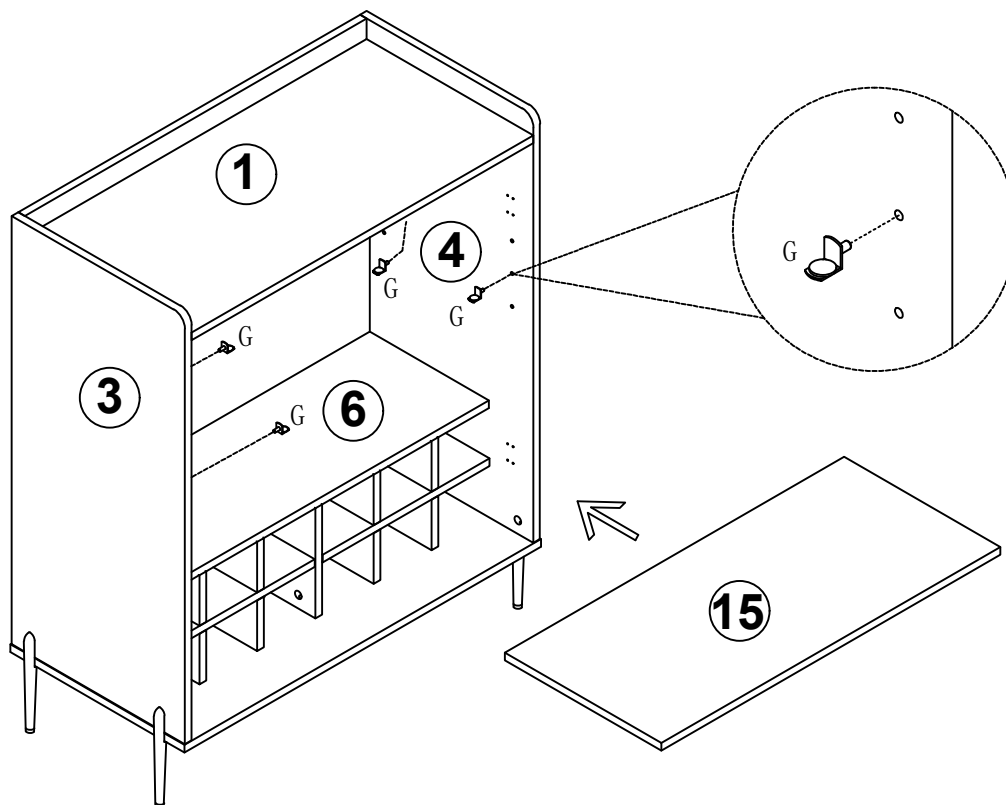
STEP 13



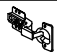
ASSEMBLY INSTRUCTION

STEP 14

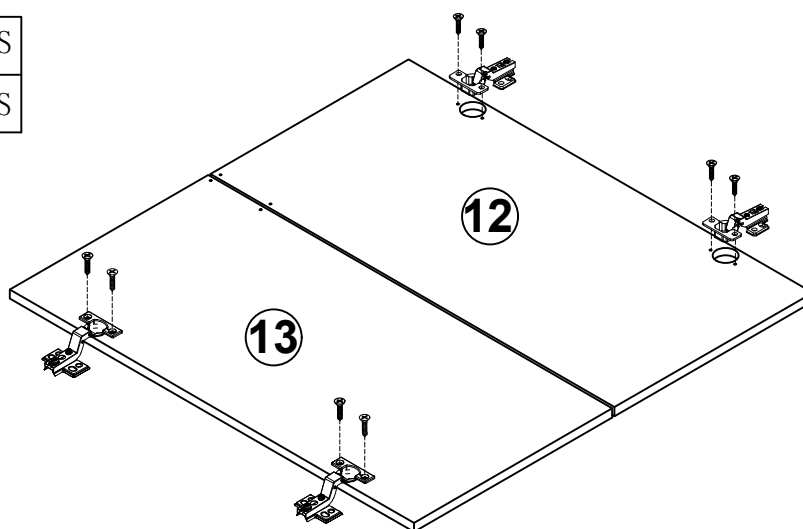
G:  4PCS



STEP 15



M:  4PCS

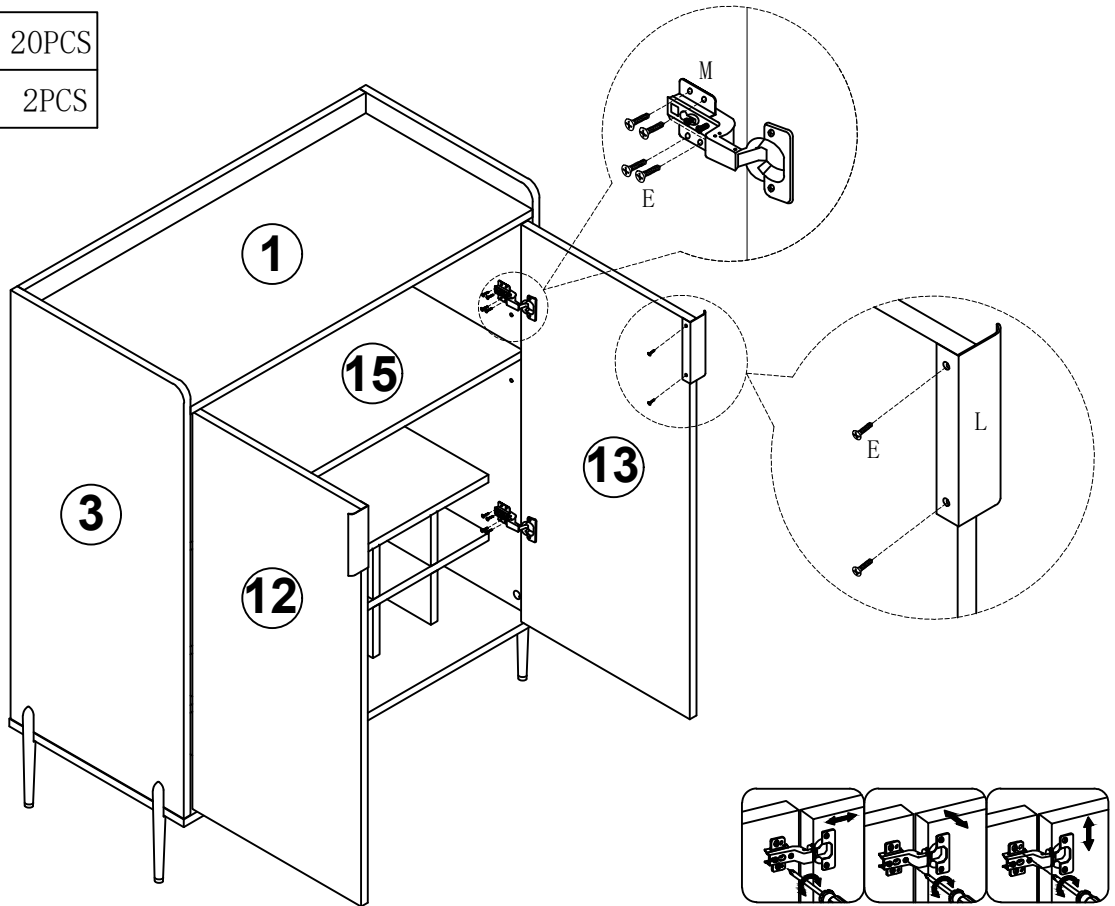
E:  8PCS





ASSEMBLY INSTRUCTION

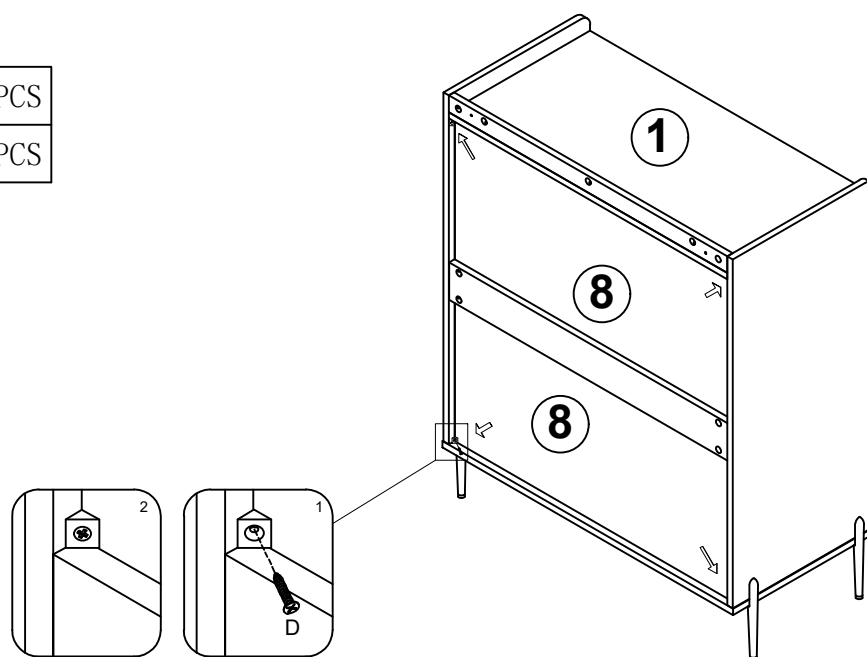
STEP 16

E:		20PCS
L:		2PCS



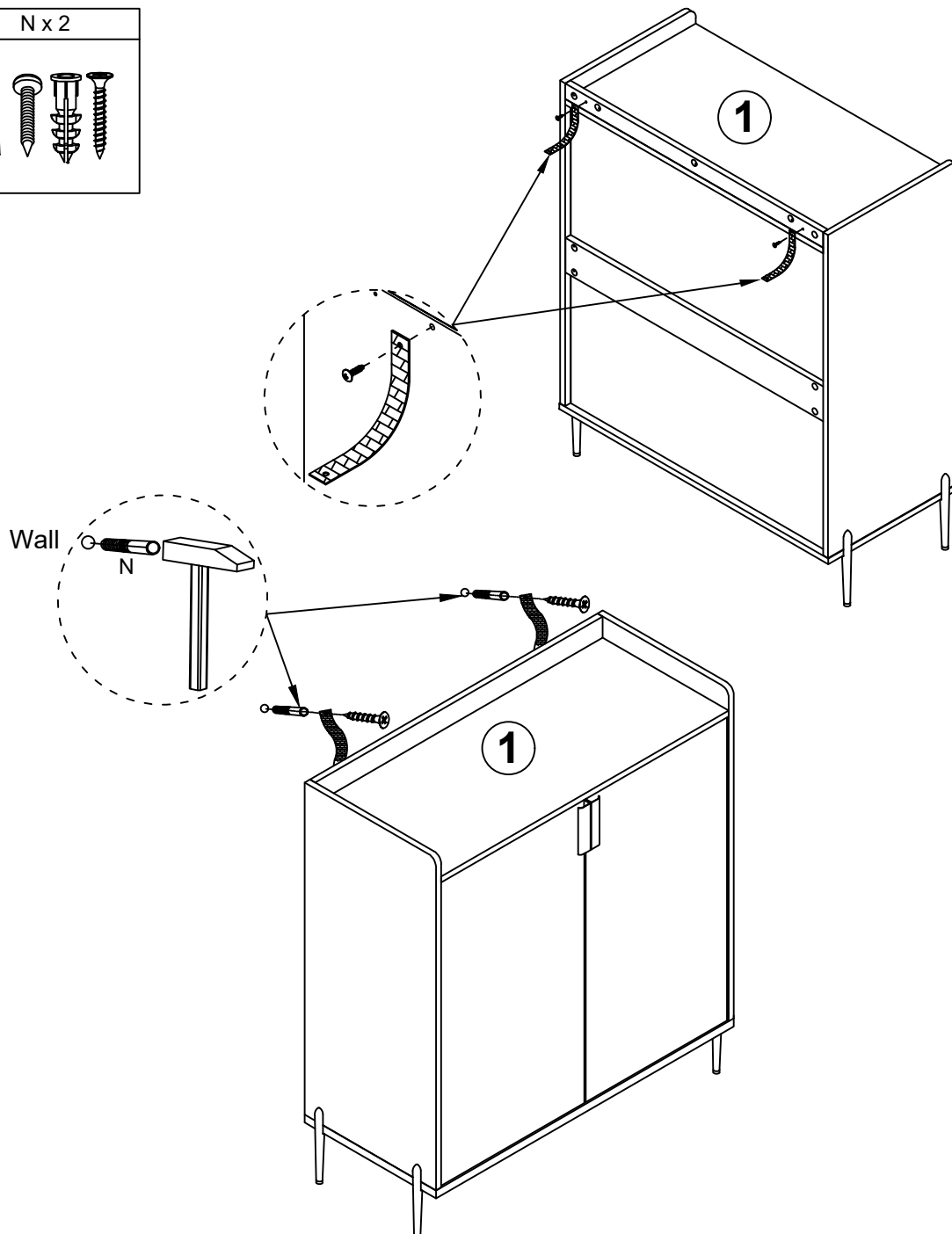
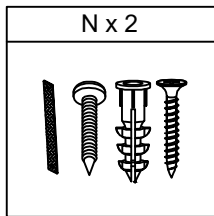
STEP 17

D:		4PCS
F:		4PCS



ASSEMBLY INSTRUCTION

STEP 18



If it is a solid wall, please use expansion and self-tapping screws,
if it is a wooden wall, only use self-tapping screws,
please do not overtighten the screws