

INSTRUCTION MANUAL



We stand behind we sell. If you are not satisfied with your purchase, you can return it for a replacement or refund.

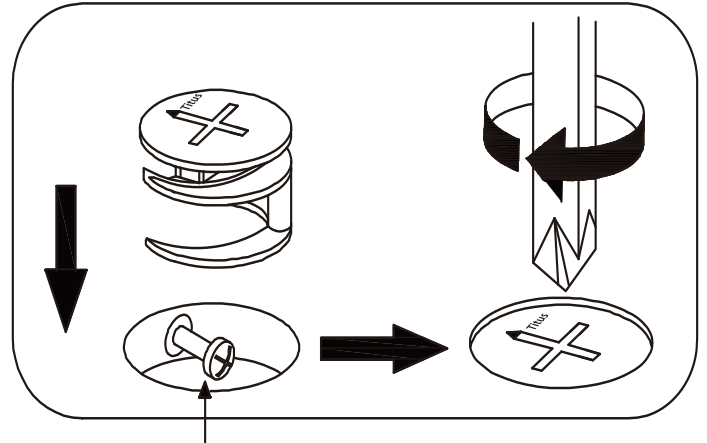
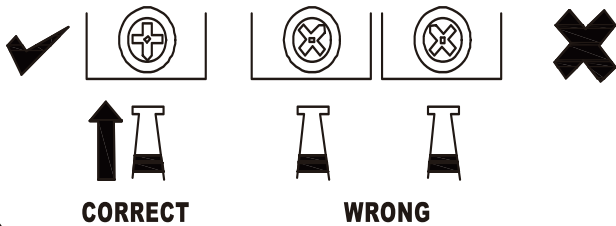
For any further question don` t hesitate to contact us.

SPECIAL TIPS FOR FITTING CAM-LOCKS AND QUICKFIT

CAM-LOCK



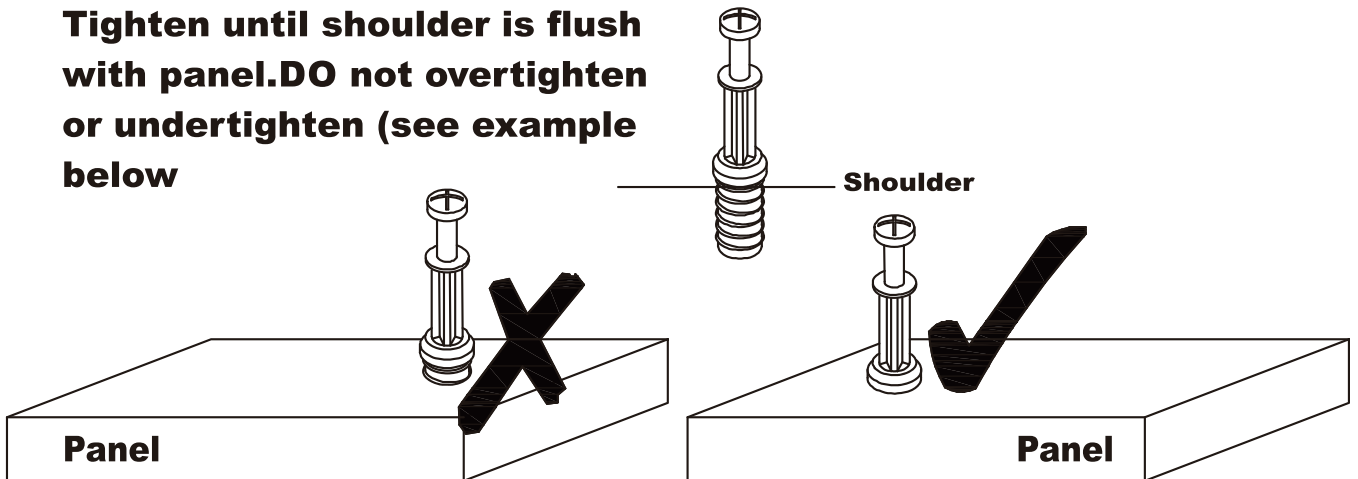
WHEN FITTING CAMLOCK
ENSURE STARTING POSITION IS CORRECT
BEFORE YOU INSERT CONNECTING QUICKFIT
TURN CLOCKWISE UNTIL SECURE



Quickfit head needs to be in centre

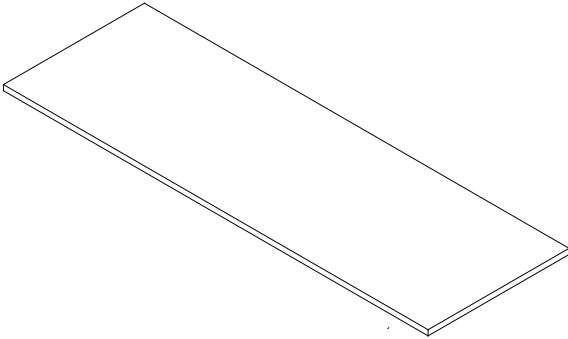
QUICKFIT

Tighten until shoulder is flush with panel. DO not overtighten or undertighten (see example below)



BOARD IDENTIFICATION

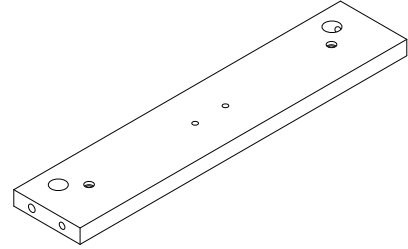
1



120*40 cm

1PCS

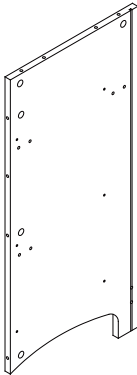
2



34.5*7 cm

1PCS

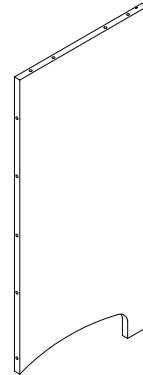
3



78.6*36cm

1PCS

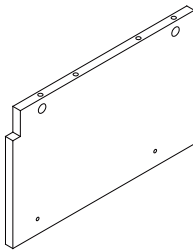
4



78.6*36cm

1PCS

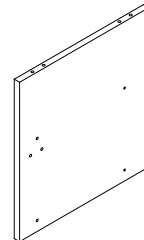
5



36.6*23.2cm

2PCS

6

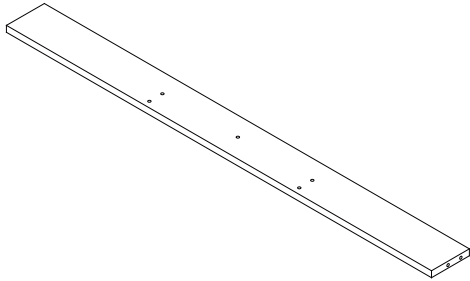


36.6*39cm

1PCS

BOARD IDENTIFICATION

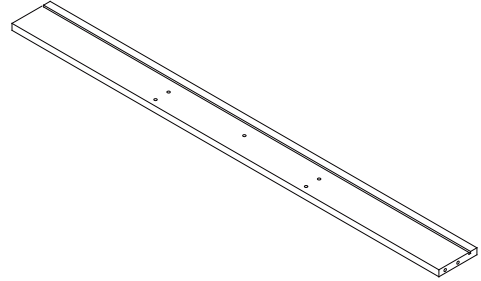
7



106.6*9.6 cm

1 PCS

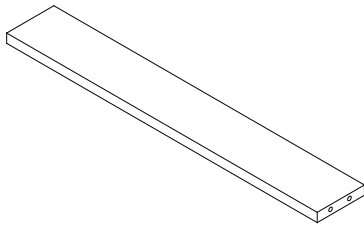
8



106.6*9.6 cm

1 PCS

9



52.5*8.1 cm

1 PCS

10



78.5*4.5*2.5 cm

1 PCS

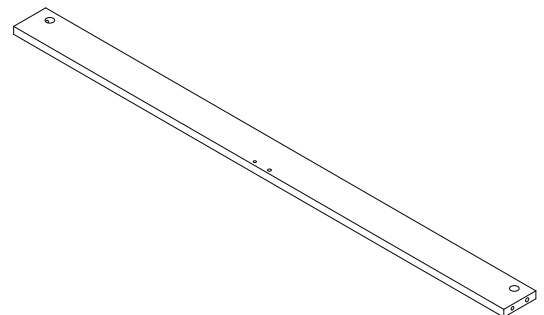
11



78.5*4.5*2.5 cm

1 PCS

12

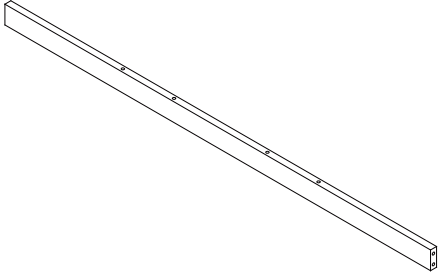


106.7*6 cm

1 PCS

BOARD IDENTIFICATION

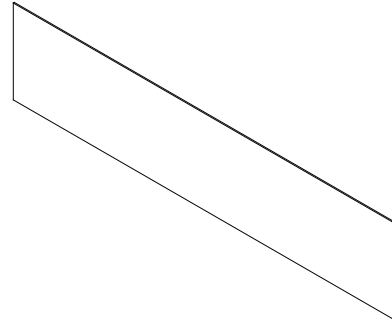
13



107.6*4.5 cm

1 PCS

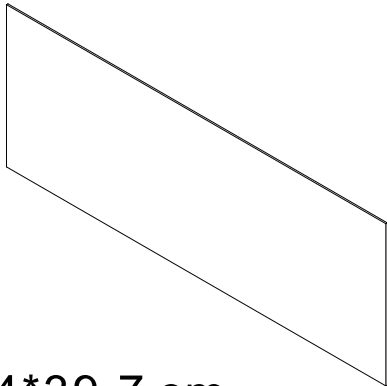
14



107.3*23.9 cm

1 PCS

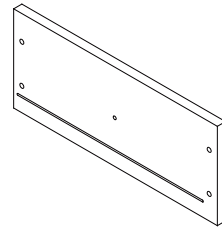
15



107.4*39.7 cm

1 PCS

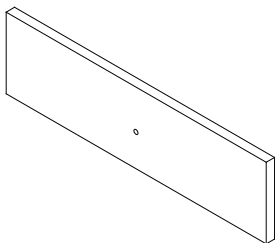
16



34*18 cm

3 PCS

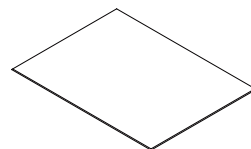
17



52*18 cm

4 PCS

18

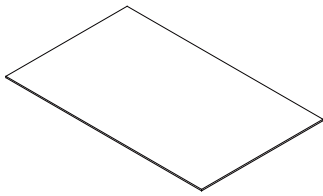


29.6*28.8 cm

3 PCS

BOARD IDENTIFICATION

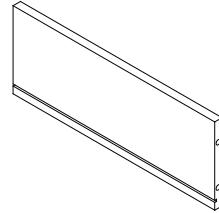
19



47.7*28.8 cm

4 PCS

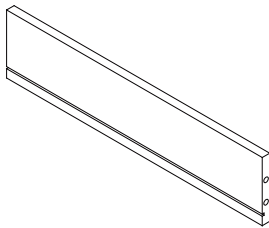
20



29*12.8 cm

3 PCS

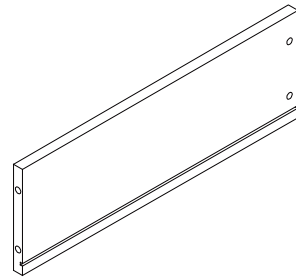
21



47*12.8 cm

4 PCS

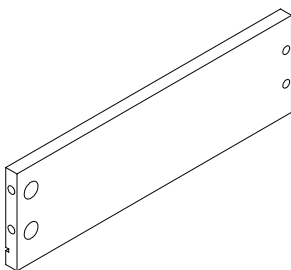
22



29.6*12.8 cm

7 PCS

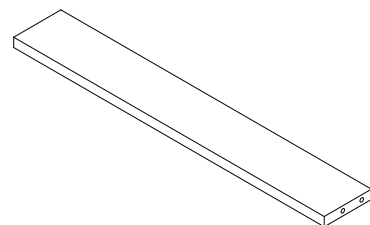
23



29.6*12.8 cm

7 PCS

24

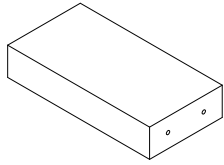


52.5*8 cm

1 PCS

BOARD IDENTIFICATION

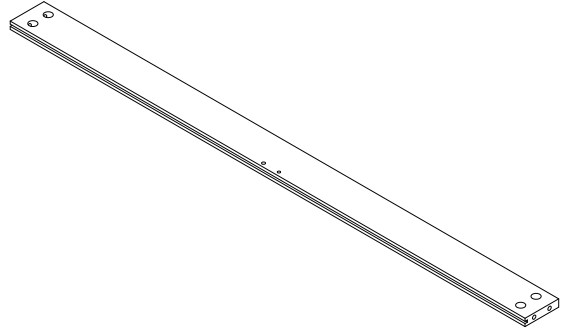
25



12.7*6.5 cm

1PCS

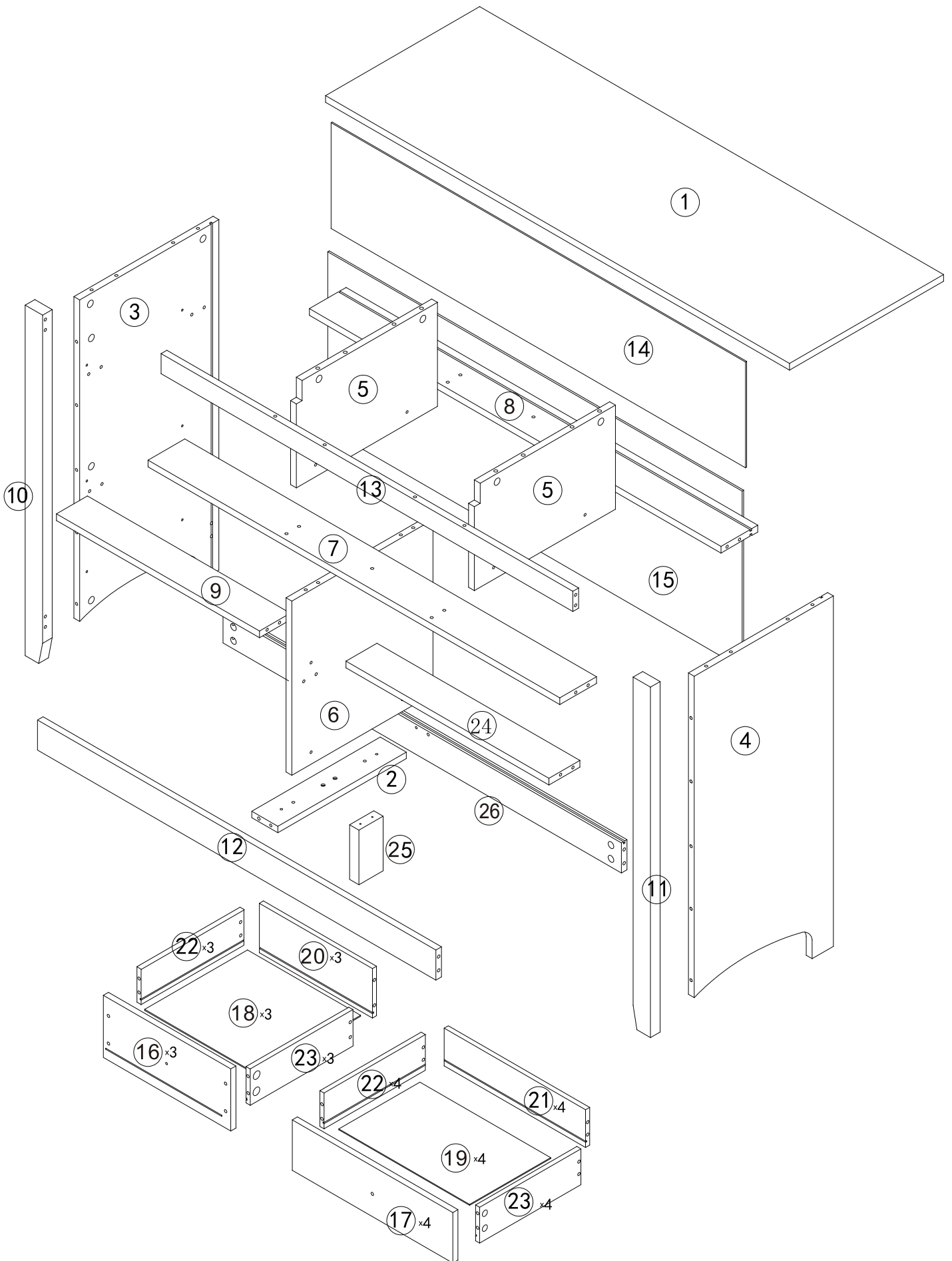
26



106.7*6 cm

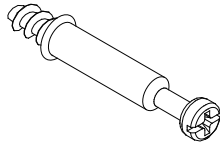
1PCS

BOARD IDENTIFICATION



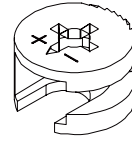
PART LIST

A



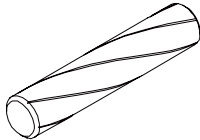
58+2 PCS

B



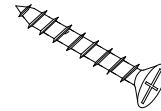
58+2 PCS

C



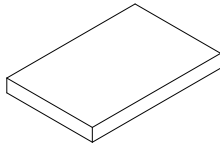
38+2 PCS

D



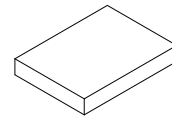
40+2 PCS

E



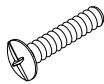
3 PCS

F



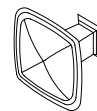
2 PCS

G



7 PCS

H



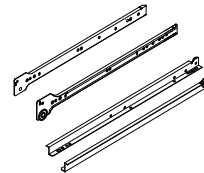
7 PCS

I



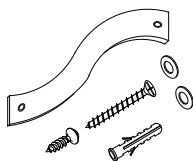
56+2 PCS

J



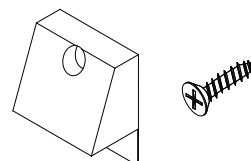
7 PCS

L



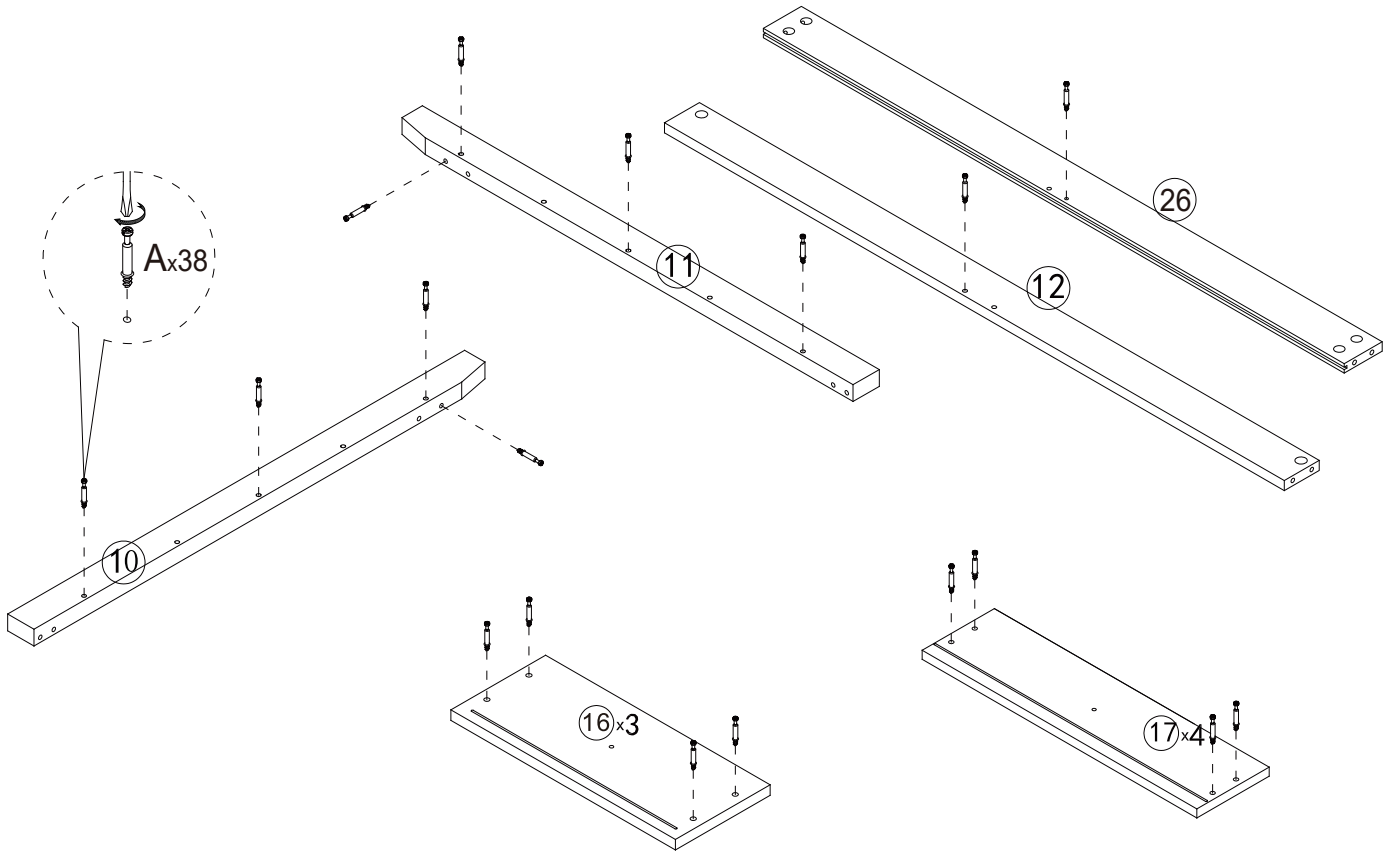
2 PCS

N

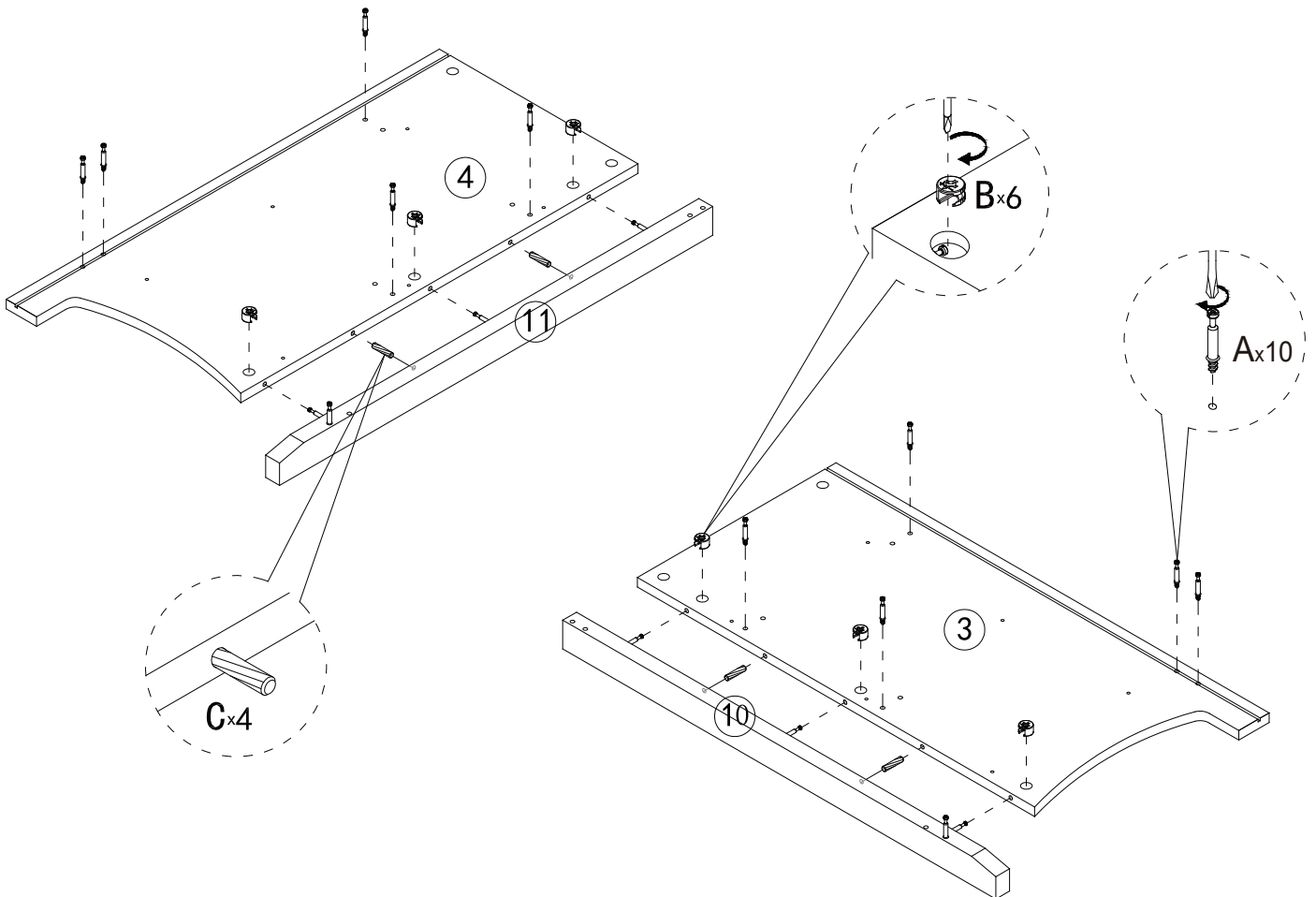


8 PCS

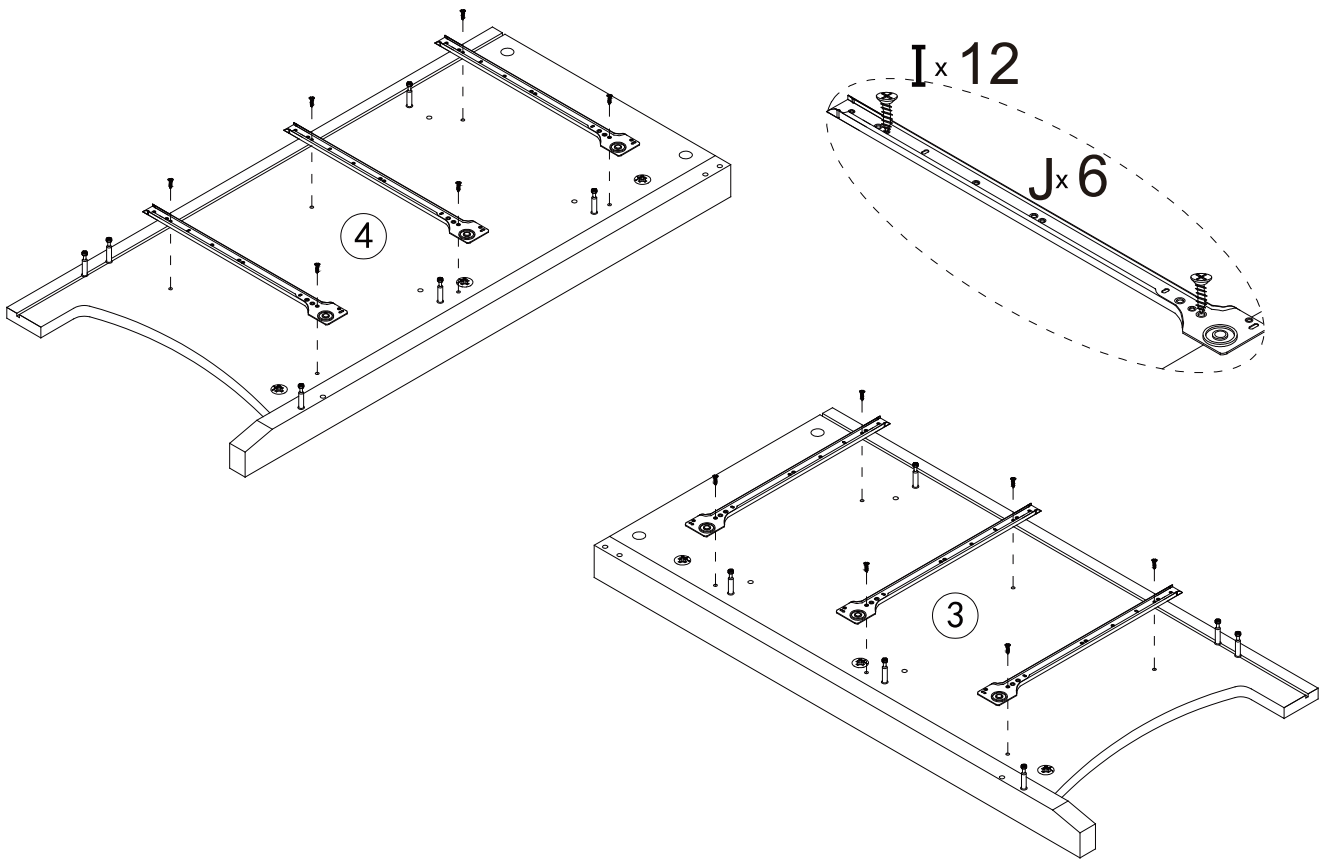
STEP 1



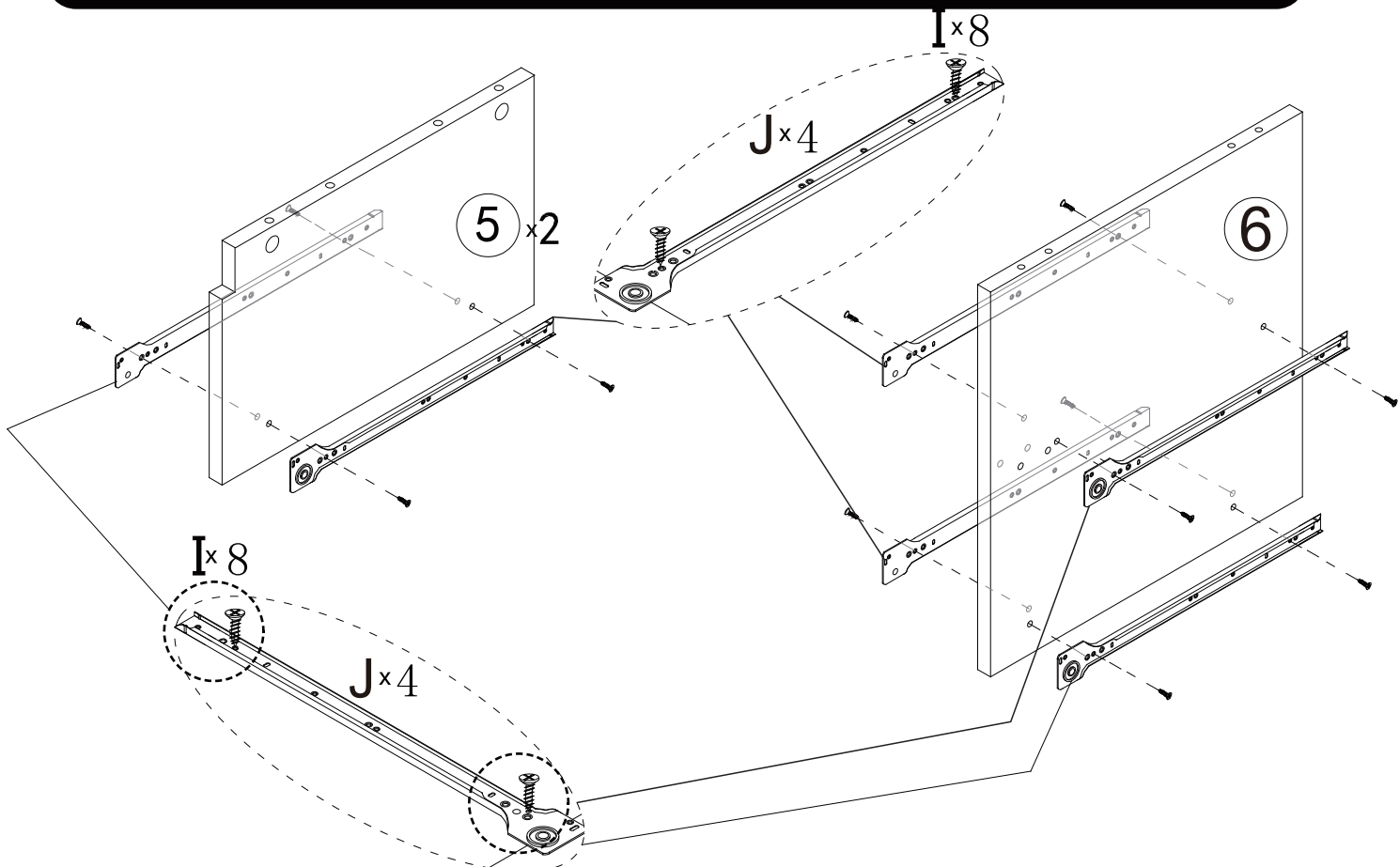
STEP 2



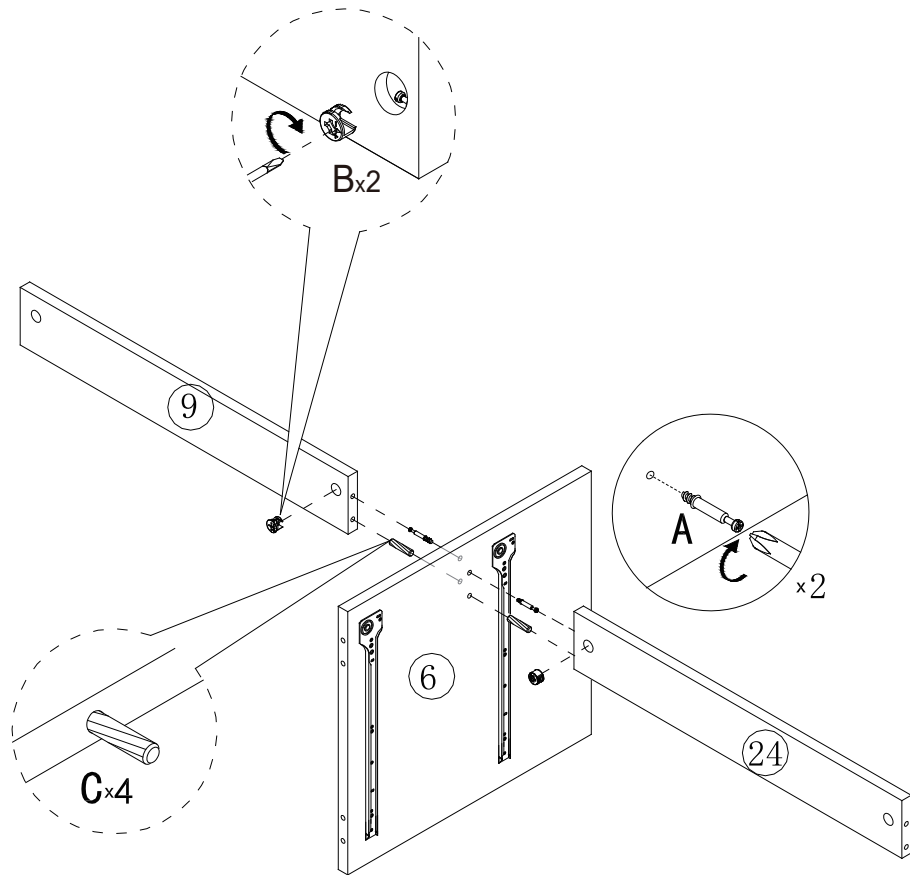
STEP 3



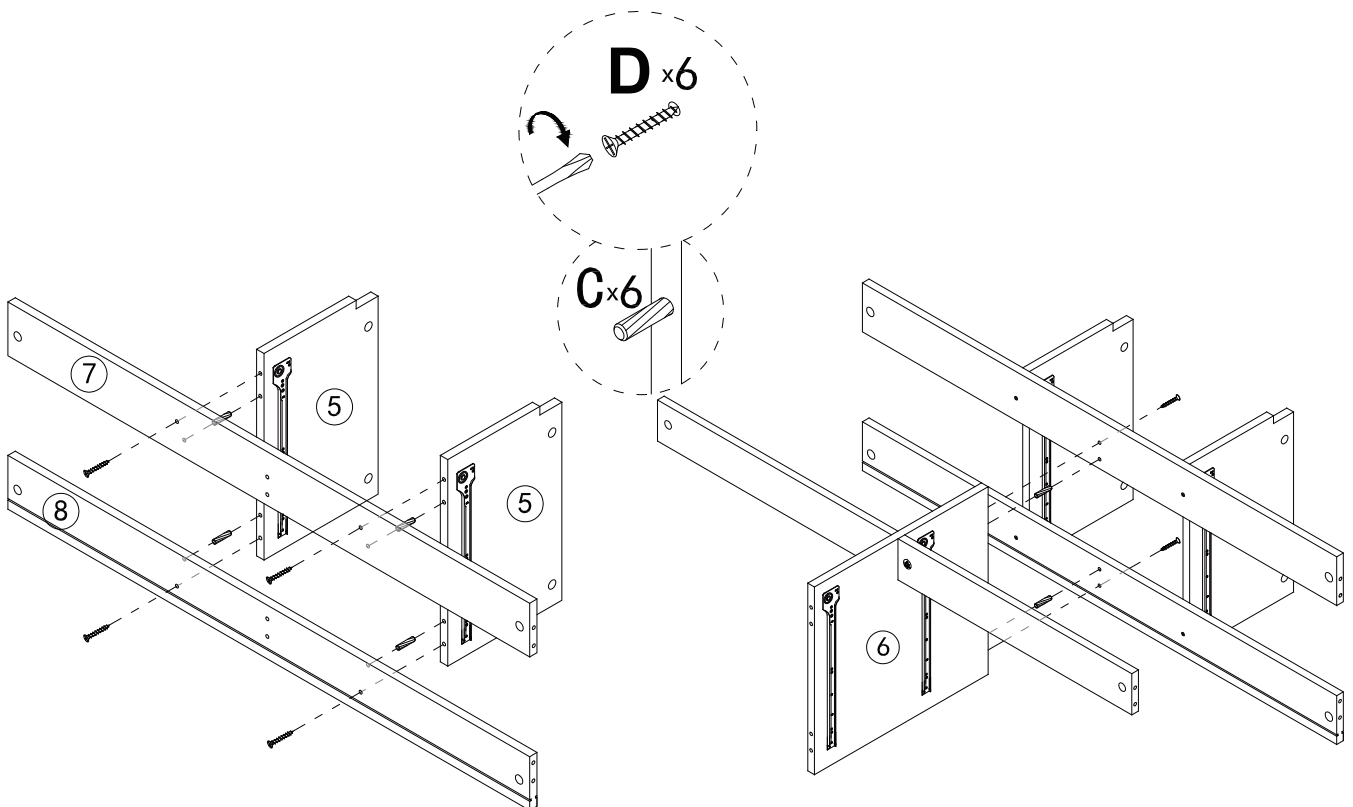
STEP 4



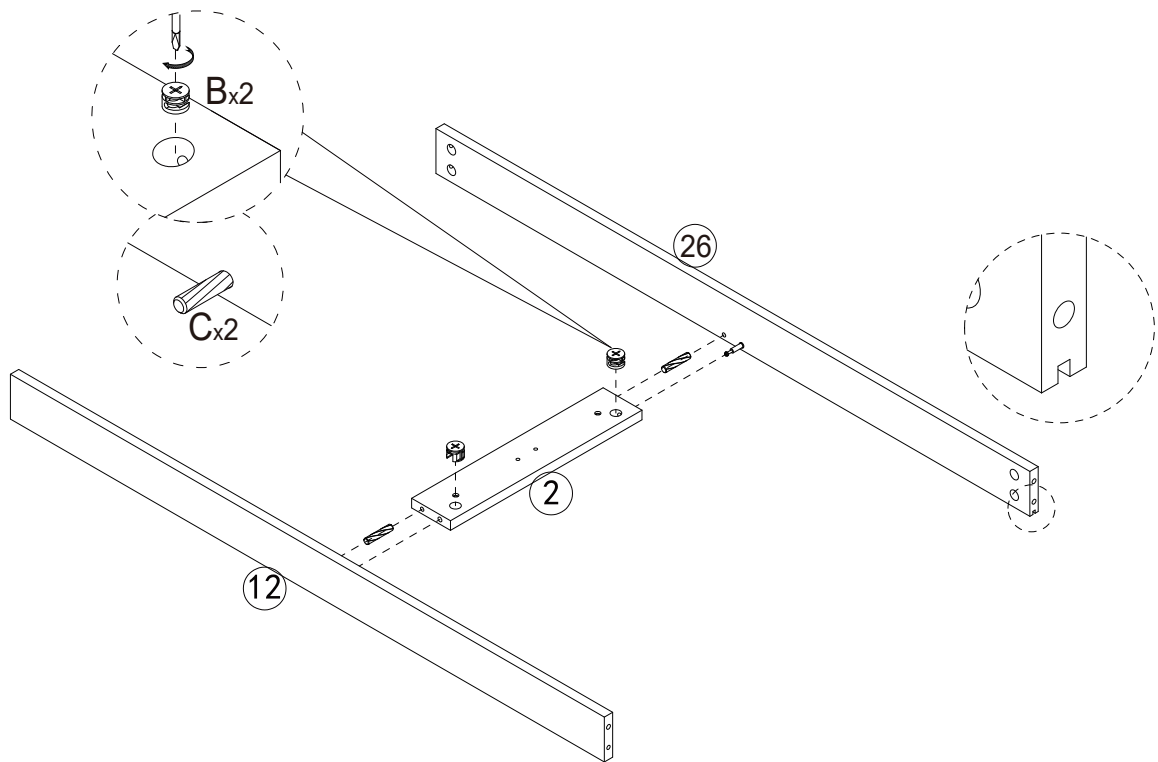
STEP 5



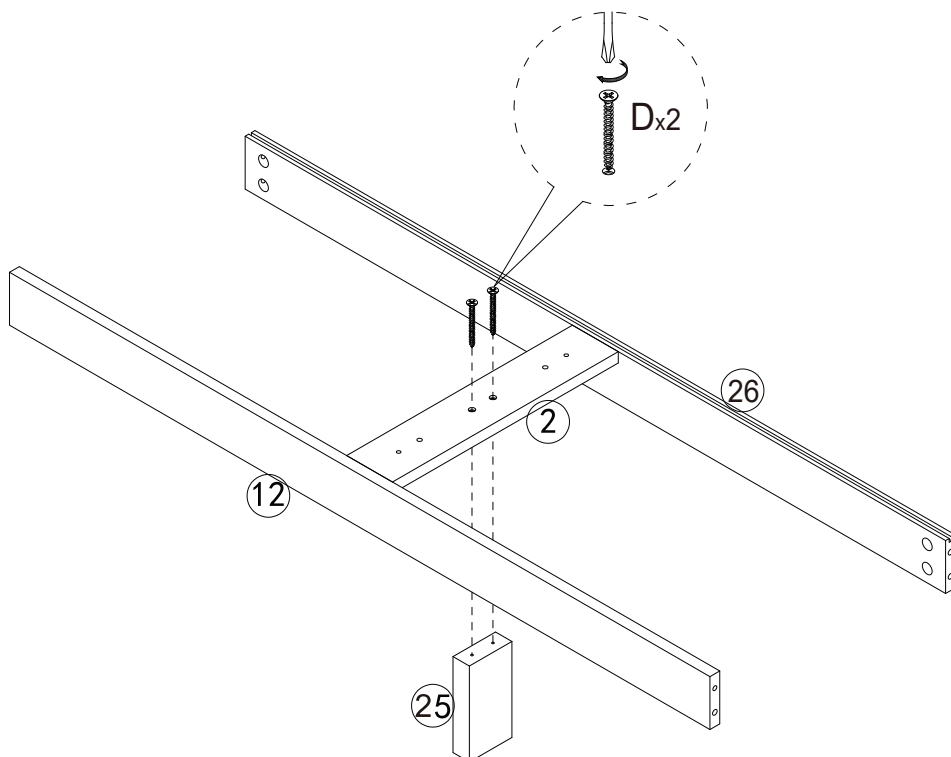
STEP 6



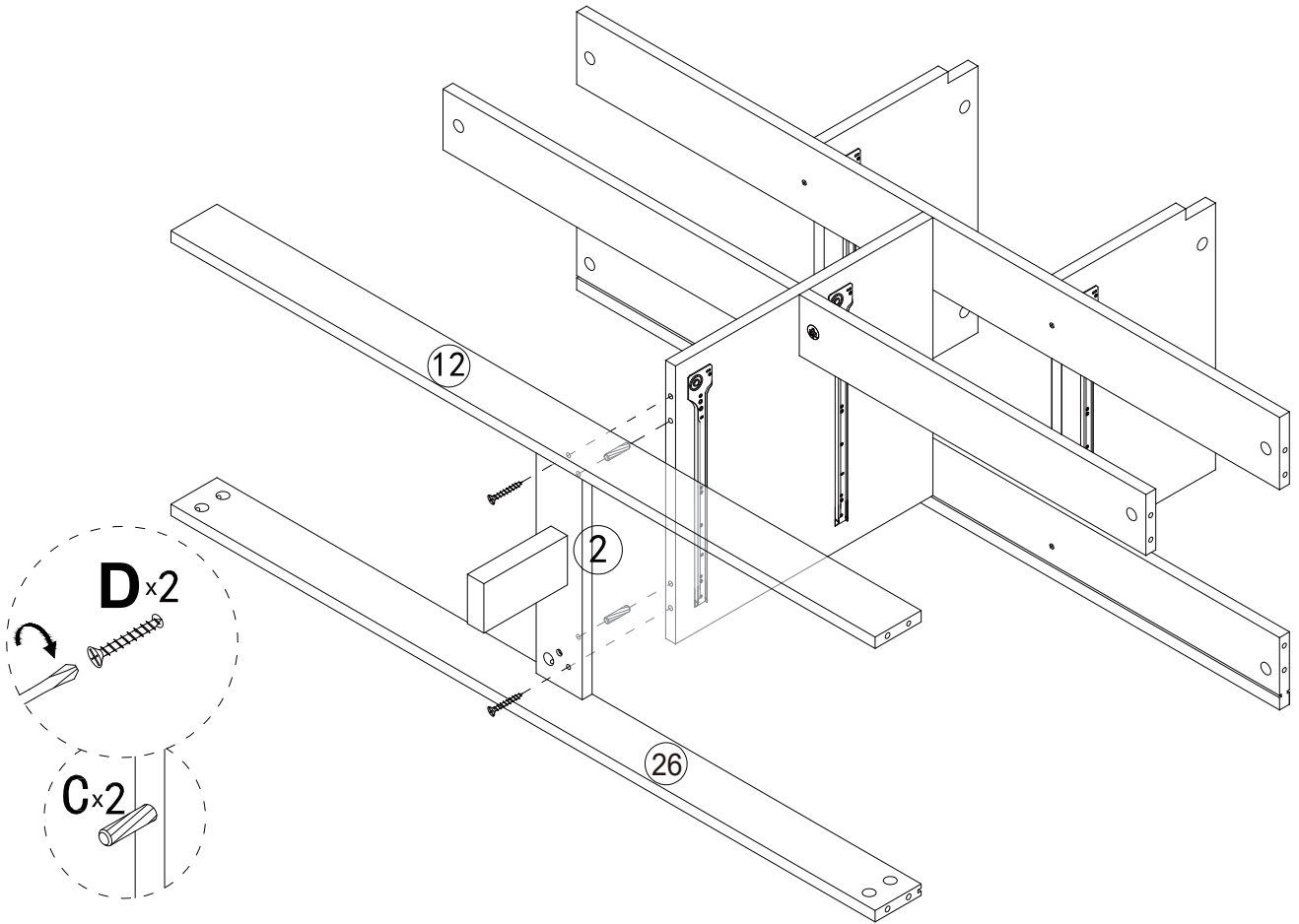
STEP 7



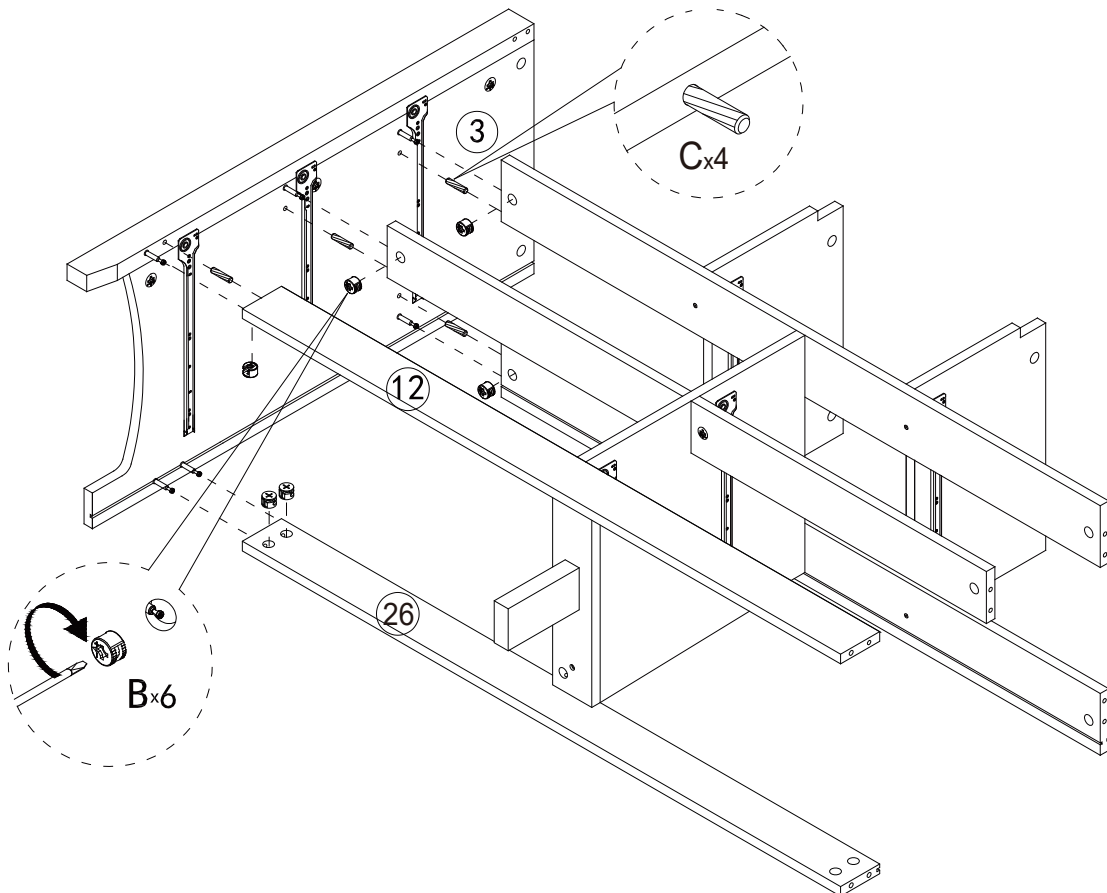
STEP 8



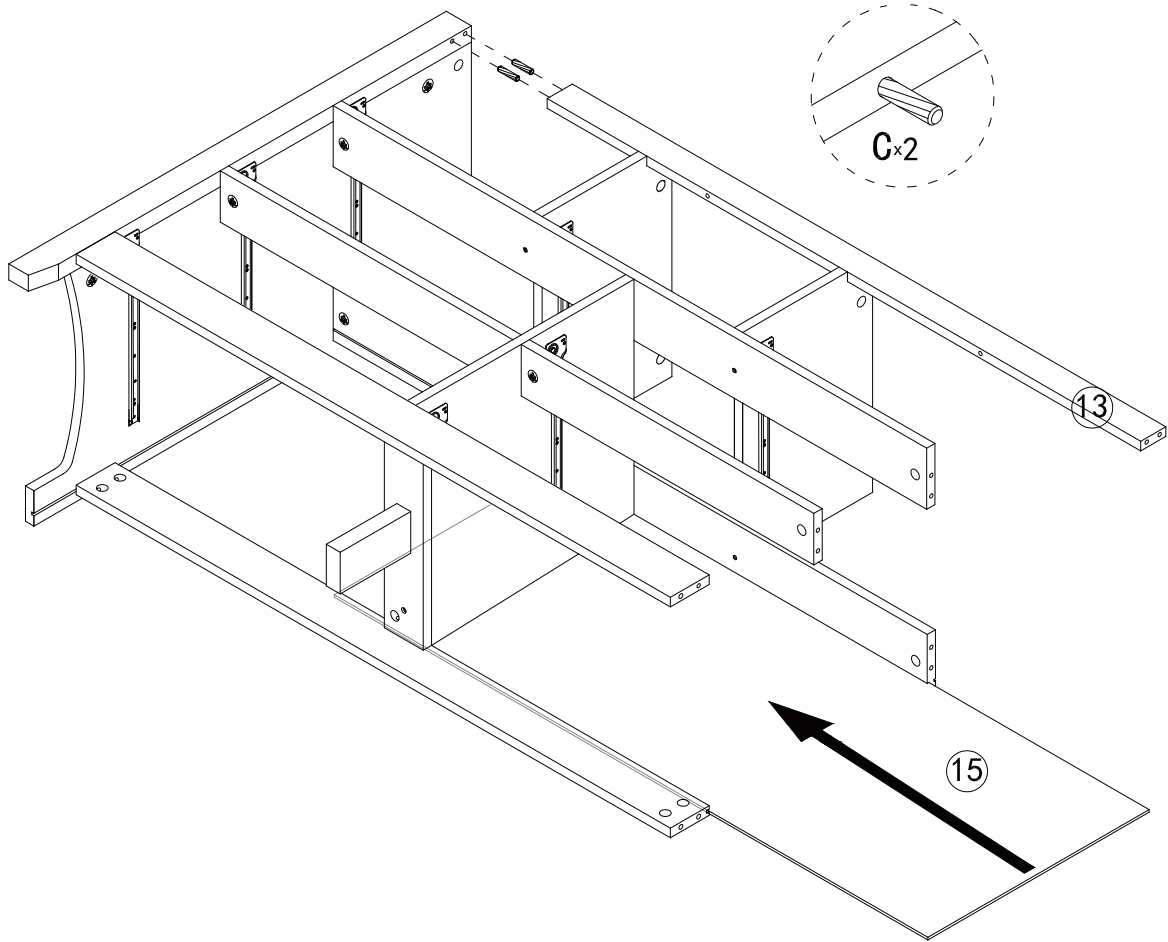
STEP 9



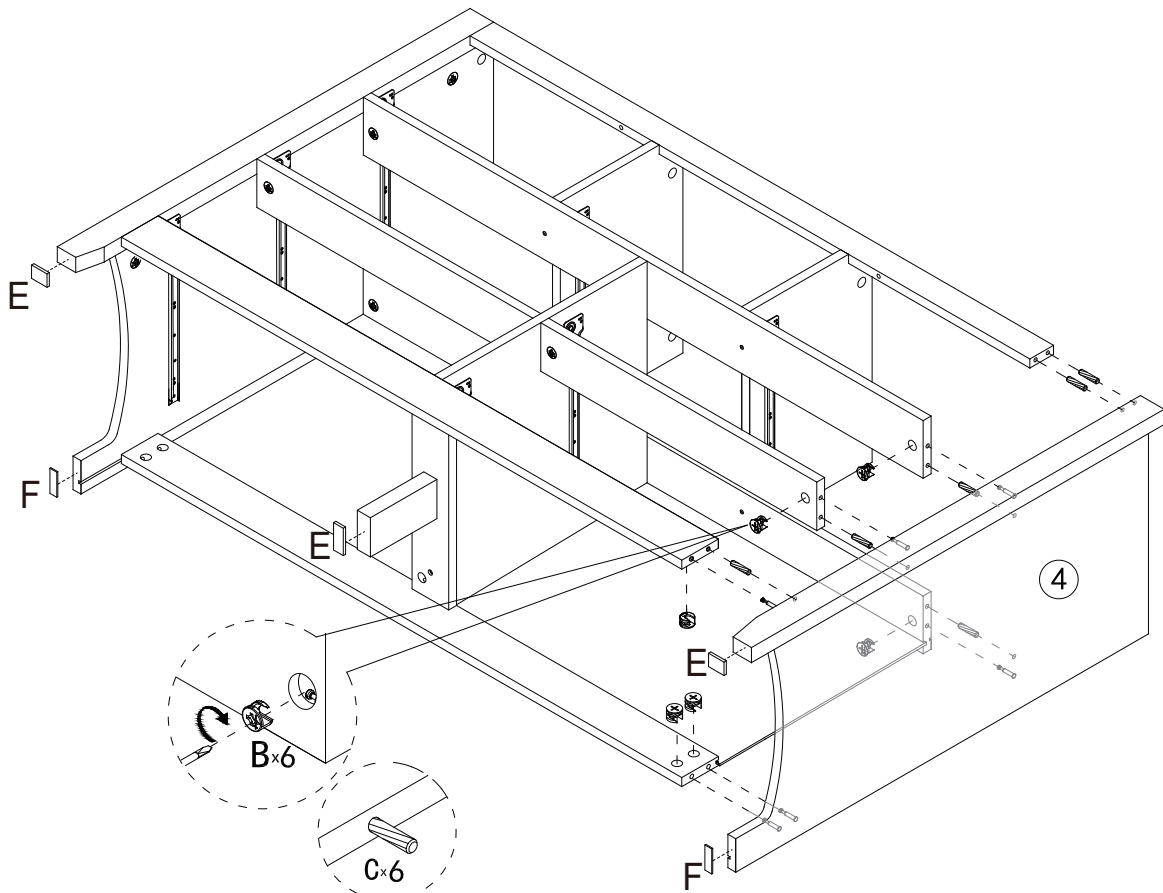
STEP 10



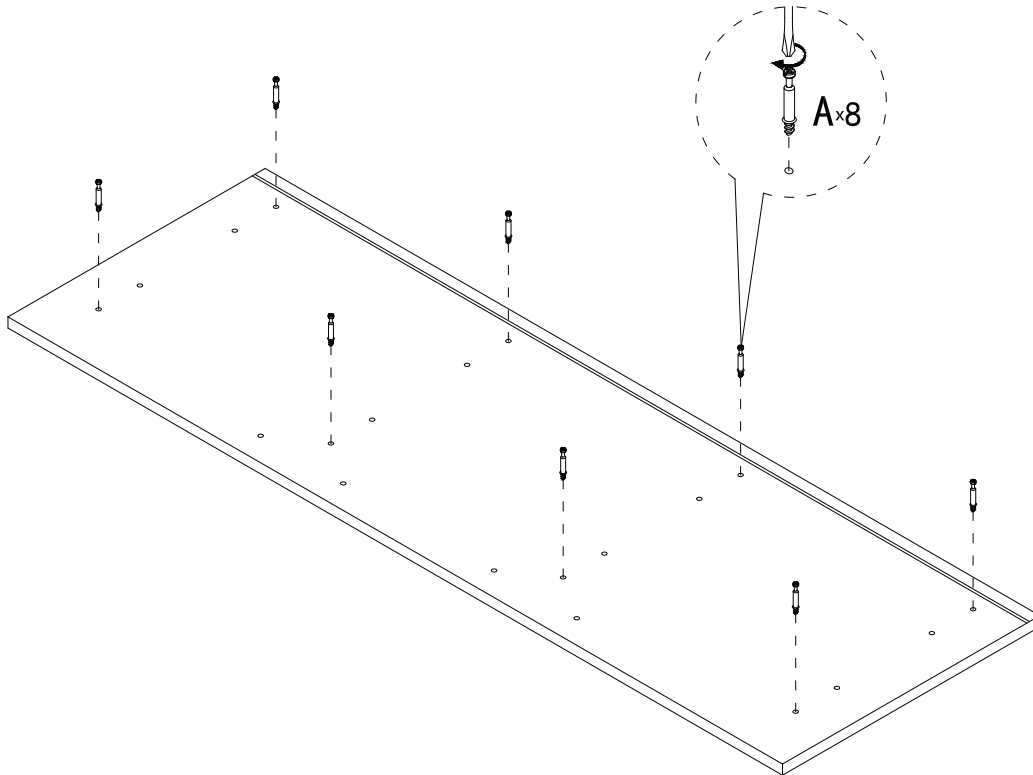
STEP 11



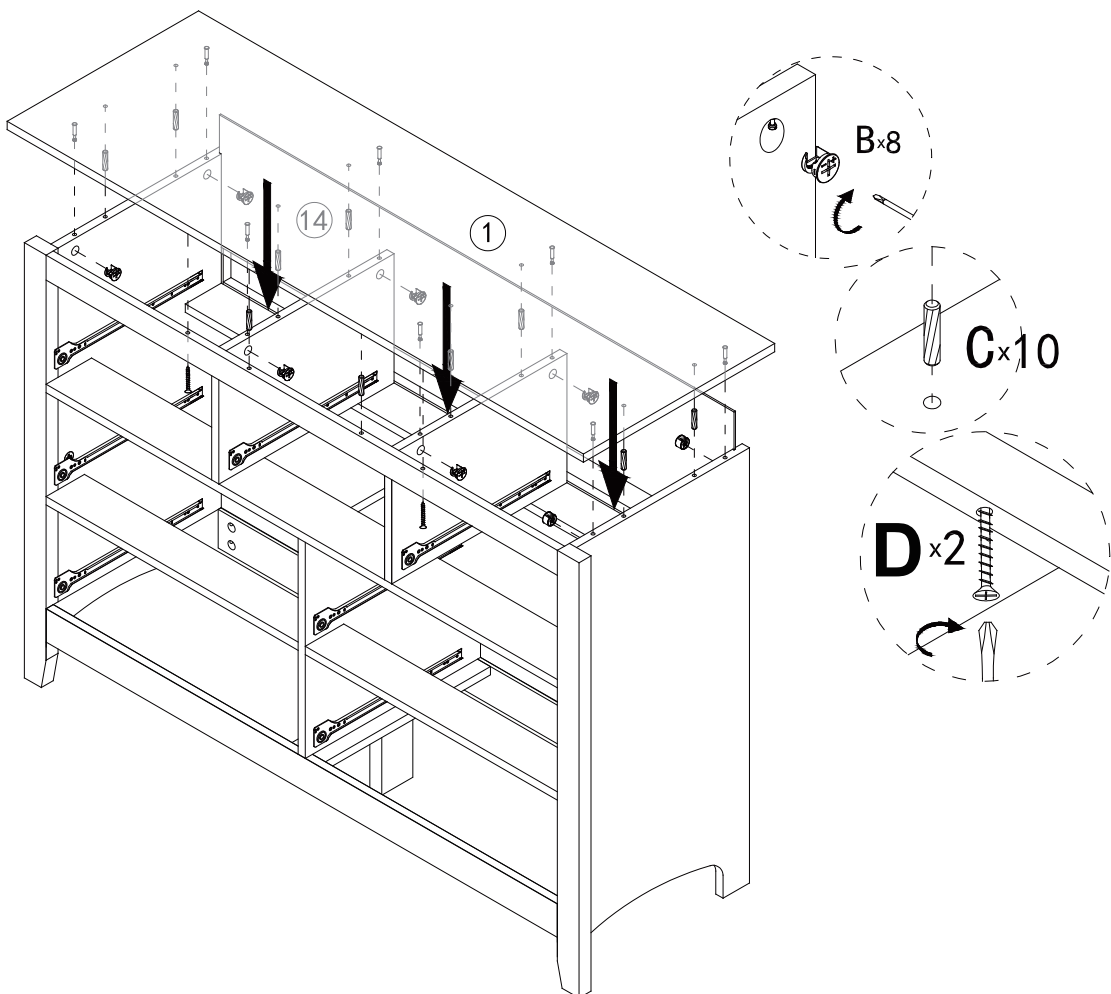
STEP 12



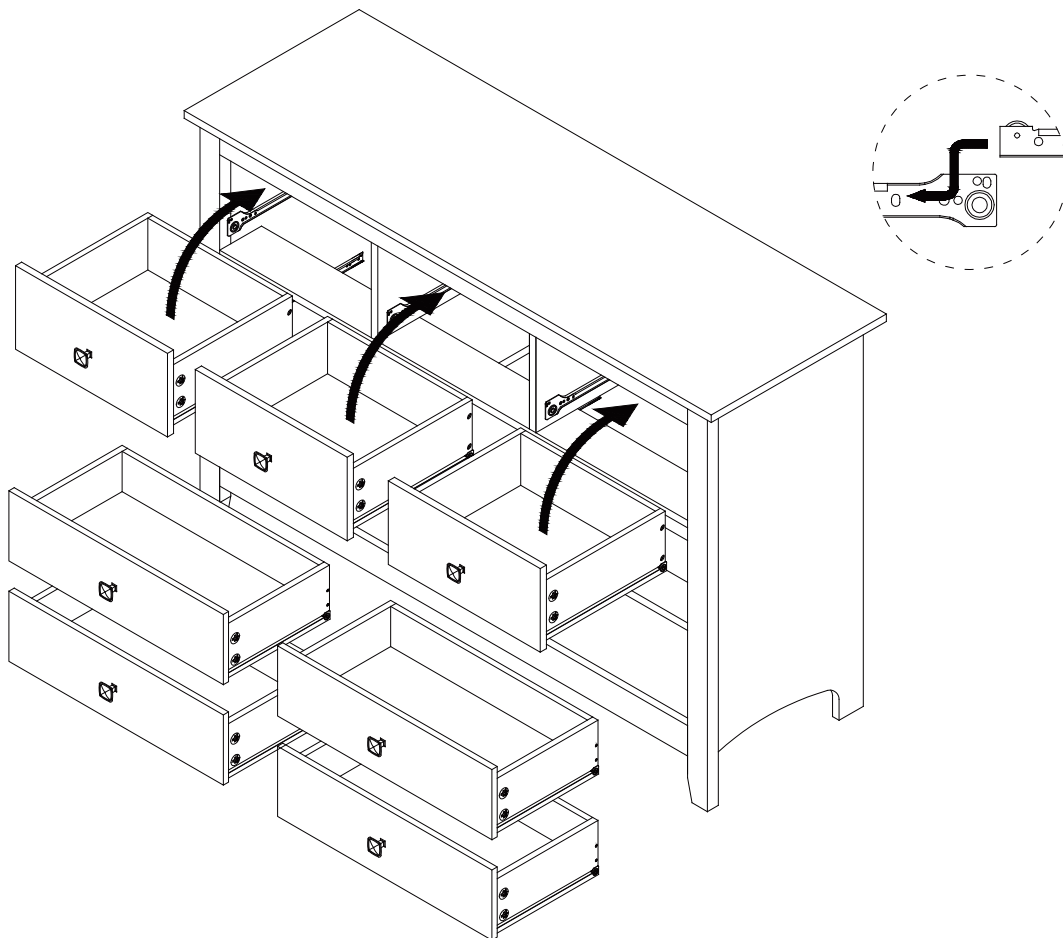
STEP 13



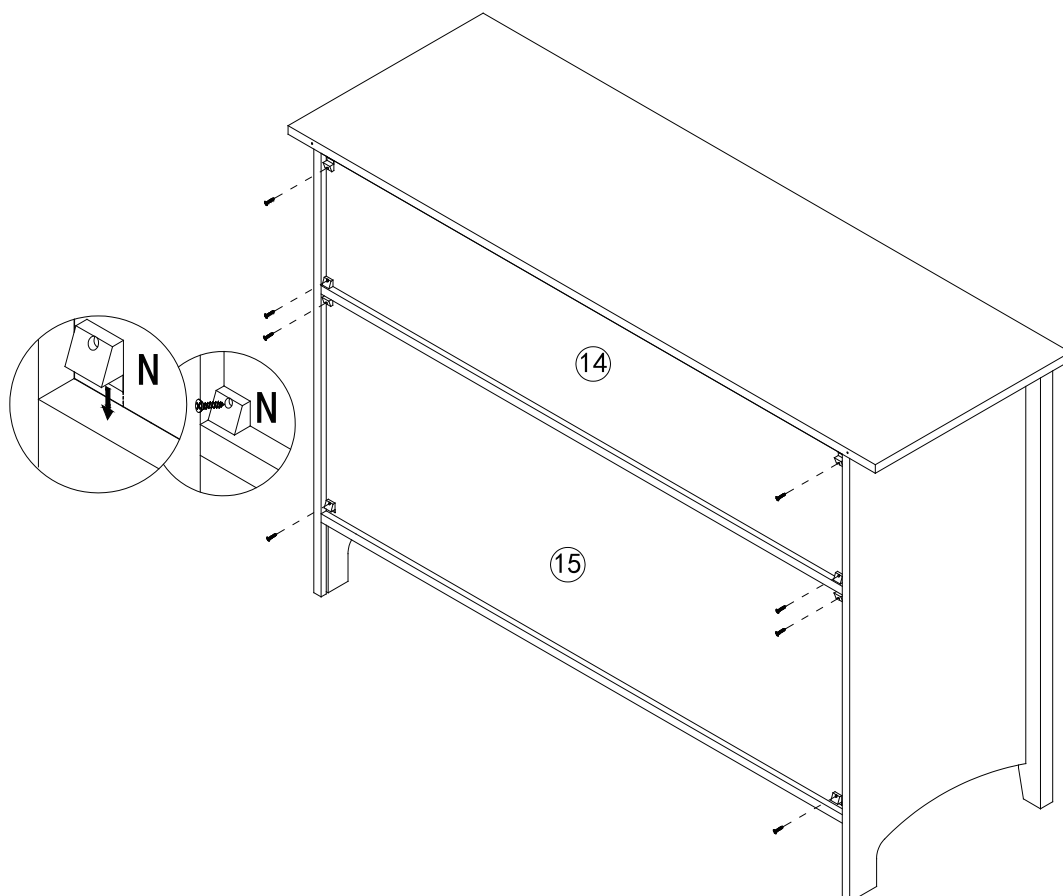
STEP 14



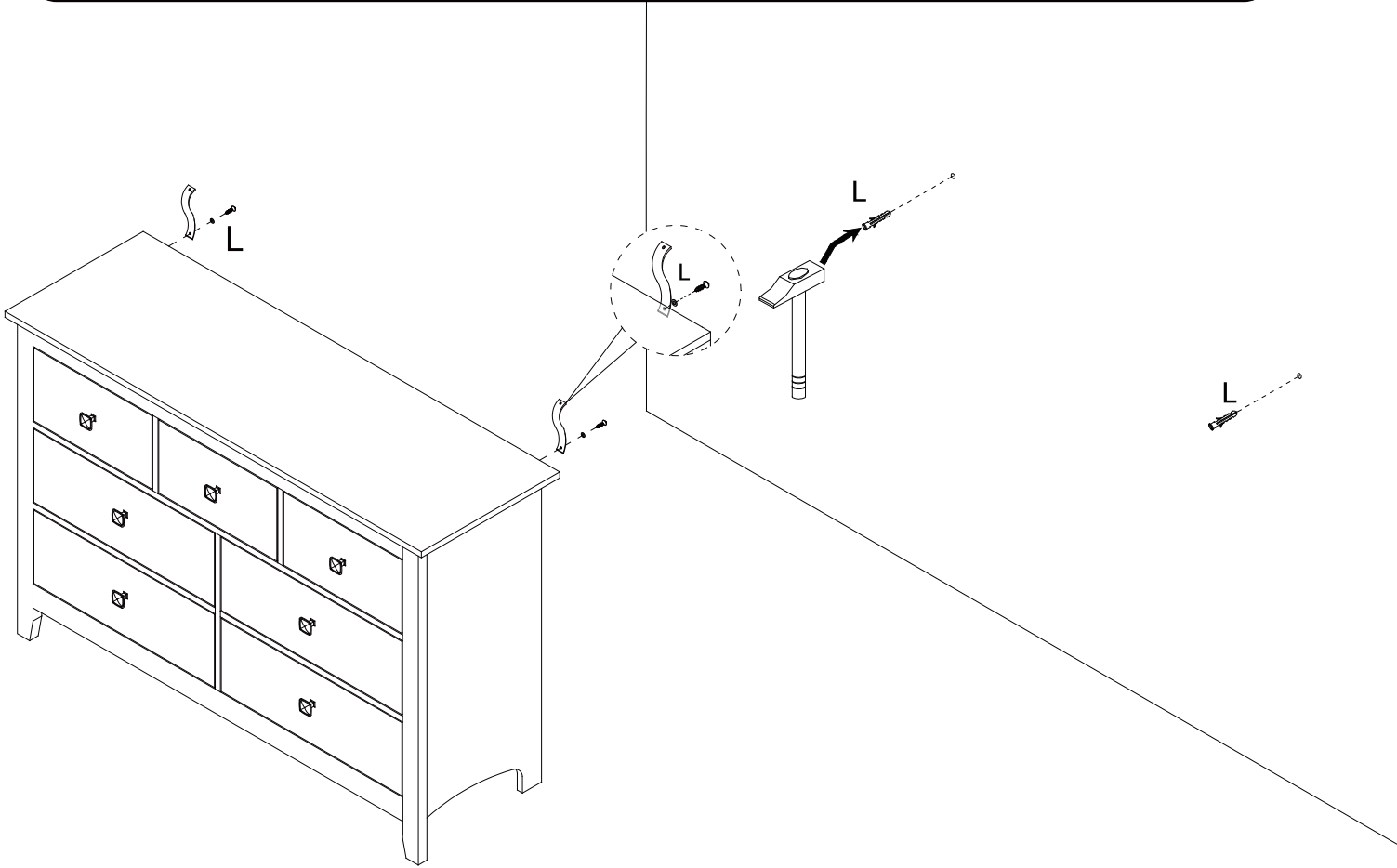
STEP 17



STEP 18



STEP 19



STEP 20

