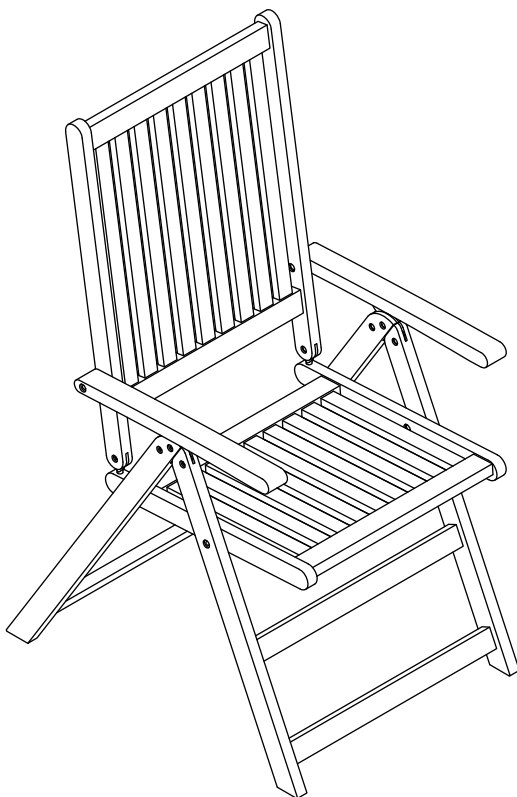


Instruction Manual

Reclining Chairs x 2



CONTENTS

Safety and care advice	1
Components	2
Assembly instructions	4
Copyright	10

⚠️ SAFETY AND CARE ADVICE ⚠️

PLEASE READ THESE INSTRUCTIONS CAREFULLY AND KEEP FOR FUTURE REFERENCE

- **Warning:** Please lift with care.
- Check you have all the components and tools listed on pages 2 and 3.
- Remove all fittings from the plastic bags and separate them into their groups.
- Keep children and animals away from the work area, small parts could choke if swallowed.
- Make sure you have enough space to lay out the parts before starting.
- Do not stand or put weight on the product, this could cause damage.
- Assemble the item as close to its final position (in the same room) as possible.
- Assemble on a soft level surface to avoid damaging the unit or your floor (use opened out unit carton).



- We do not recommend the use of power drill/drivers **for inserting screws**, as this could damage the unit. Only use hand screwdrivers.
- Dispose of all packaging carefully and responsibly.

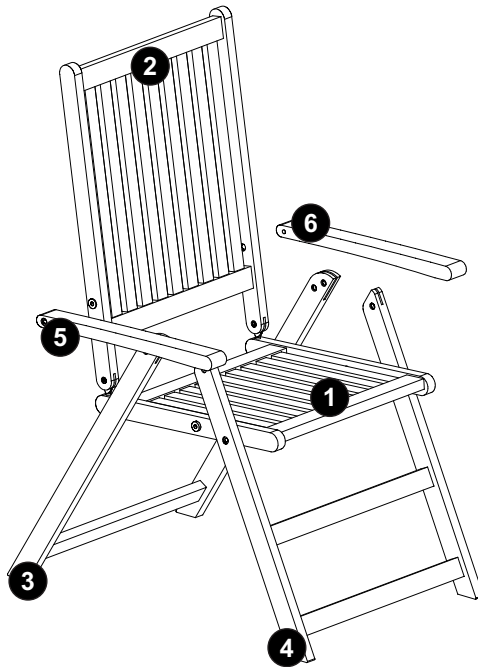
CARE AND MAINTENANCE

- Only clean using a damp cloth and mild detergent, do not use bleach or abrasive cleaners.
- From time to time check that there are no loose screws on this unit.
- This product should not be discarded with household waste. Take to your local authority waste disposal center.

Note *If required the next page can be cut out and used as reference throughout the assembly. Keep this page with these instructions for future reference.*

COMPONENTS

Please check you have all the panels listed below:



1. Seat	x 1	4. Front leg	x 1
2. Backrest	x 1	5. Right arm	x 1
3. Back leg	x 1	6. Left arm	x 1

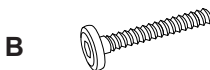


COMPONENTS

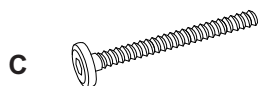
Please check you have all the fittings listed below:



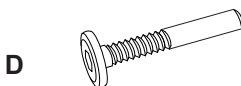
Bolt (Φ6x15mm) x 8



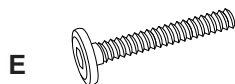
Bolt (Φ6x30mm) x 2



Bolt (Φ6x60mm) x 2



Bolt (Φ7x35mm) x 2



Bolt (Φ6x40mm) x 2



Caps (Φ6x13mm) x 12



Washers (Φ10/20x2mm) x 2



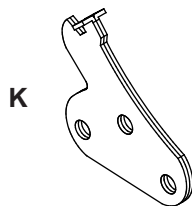
Washers (Φ6/18x2mm) x 2



Washers (Φ6/18x5mm) x 2



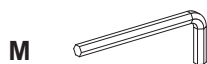
Washers (Φ8/18x2mm) x 2



x 2



x 2

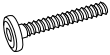





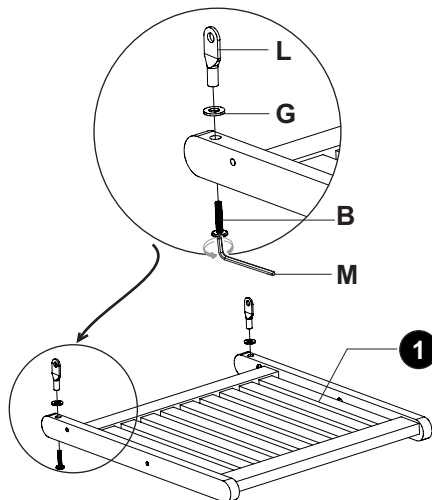
Allen key x 2



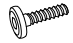


ASSEMBLY INSTRUCTIONS

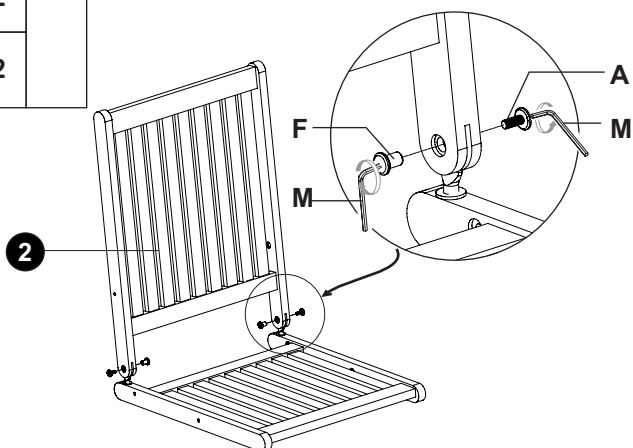
Step 1

B		2
G		2
L		2
M		1



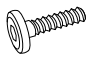
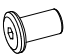


Step 2

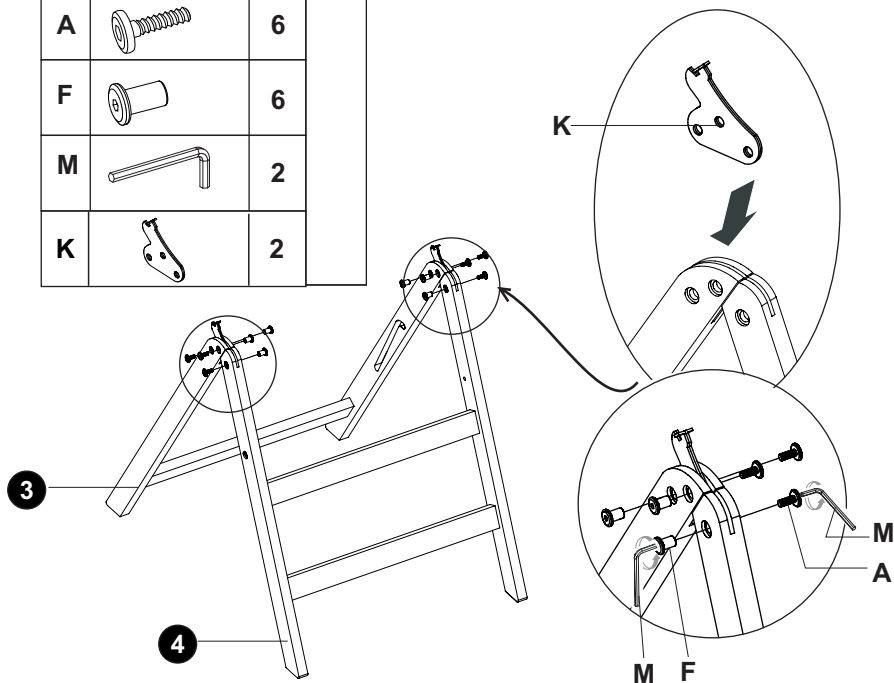
A		2
F		2
M		2



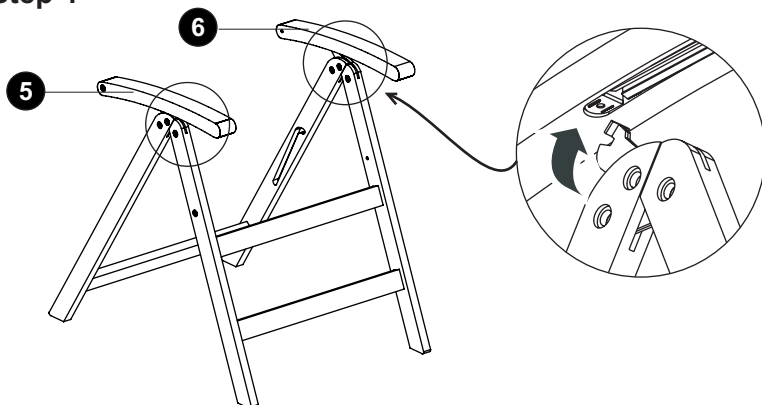
ASSEMBLY INSTRUCTIONS

Step 3

A		6
F		6
M		2
K		2

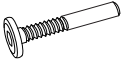
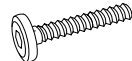

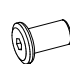




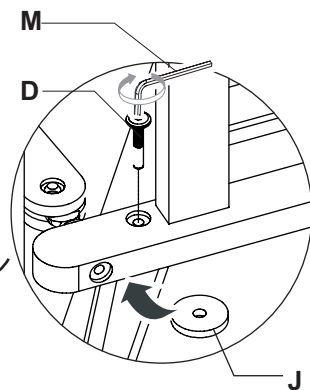
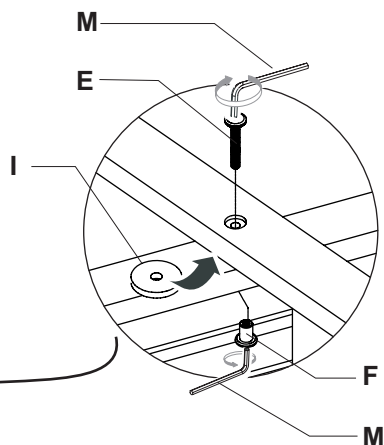
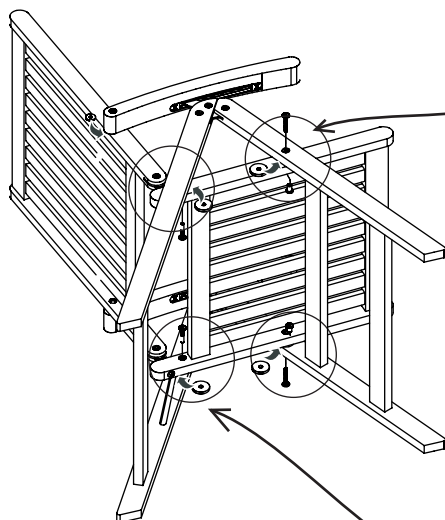
Step 4



ASSEMBLY INSTRUCTIONS

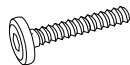



Step 5

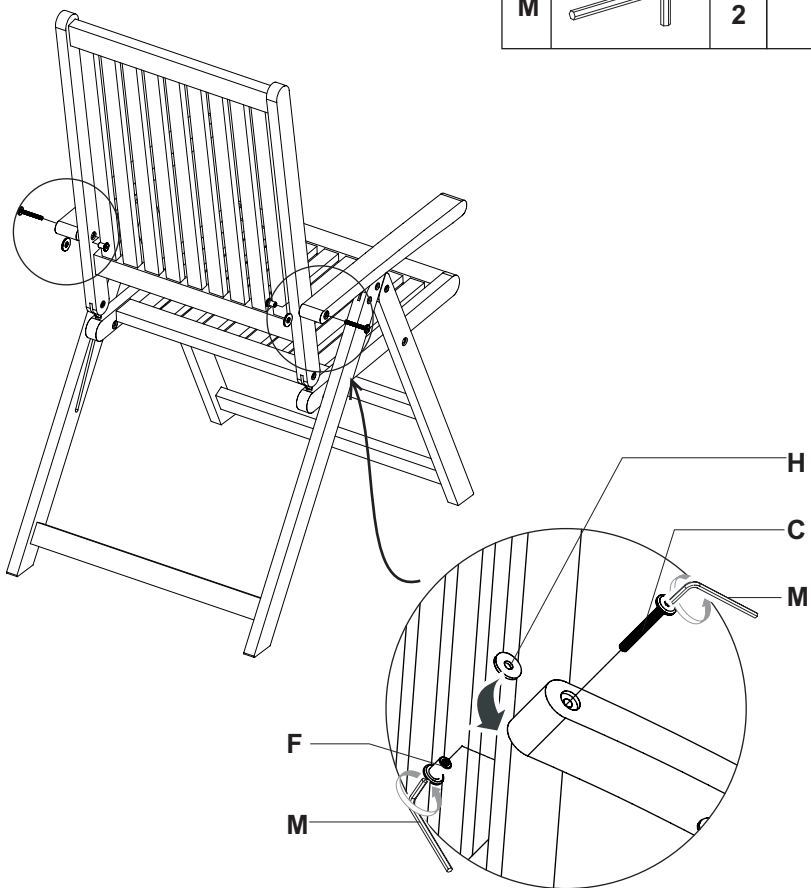
D		2
E		2
I		2
F		2
M		2
J		2



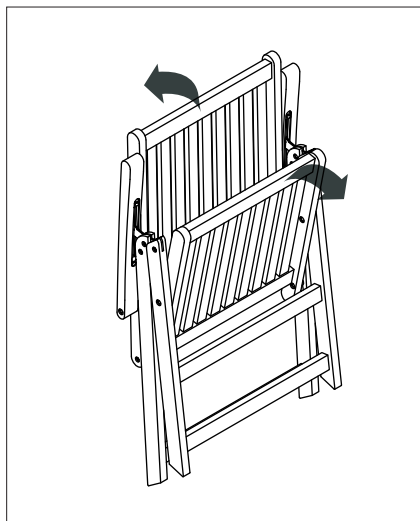
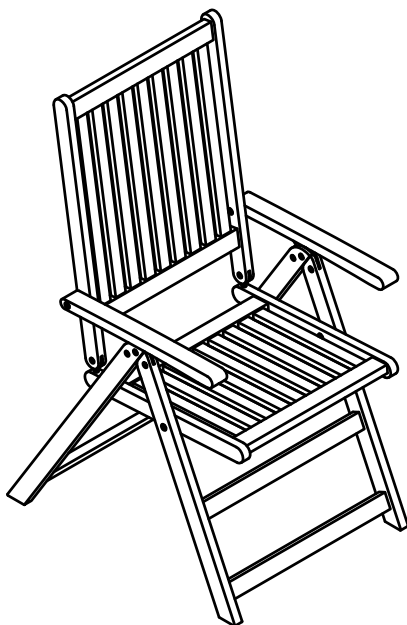
ASSEMBLY INSTRUCTIONS

Step 6

C		2
F		2
H		2
M		2



ASSEMBLY INSTRUCTIONS



Congratulations! Now you have finished assembling the product.

IF YOU FIND A DEFECTIVE PART

We fully stock all parts and components. Any defective part can be quickly replaced. Take note of the defective part number in manual and we will arrange a quick replacement.

You can email our team