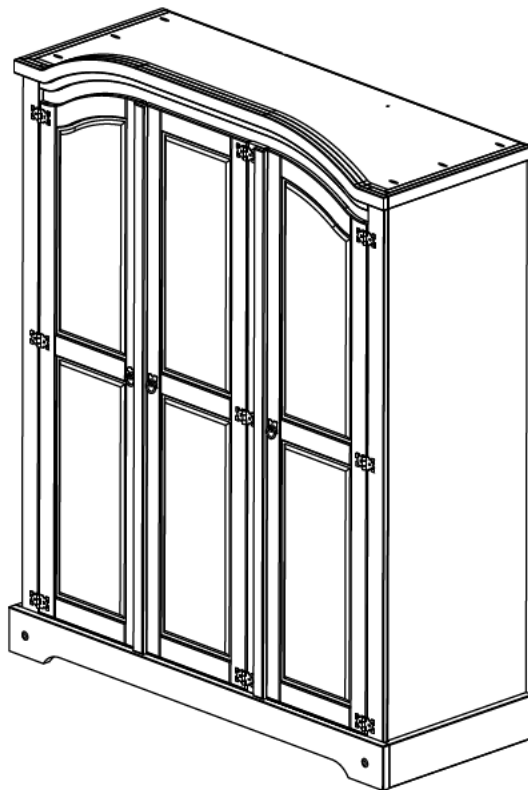


# Door Wardrobe

## ASSEMBLY INSTRUCTIONS



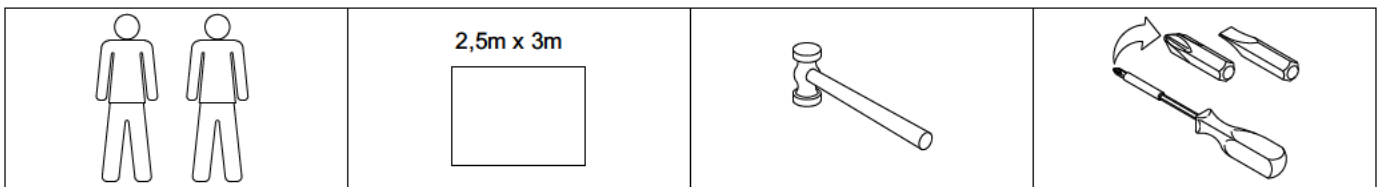
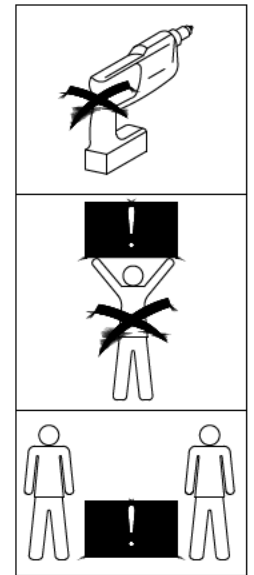
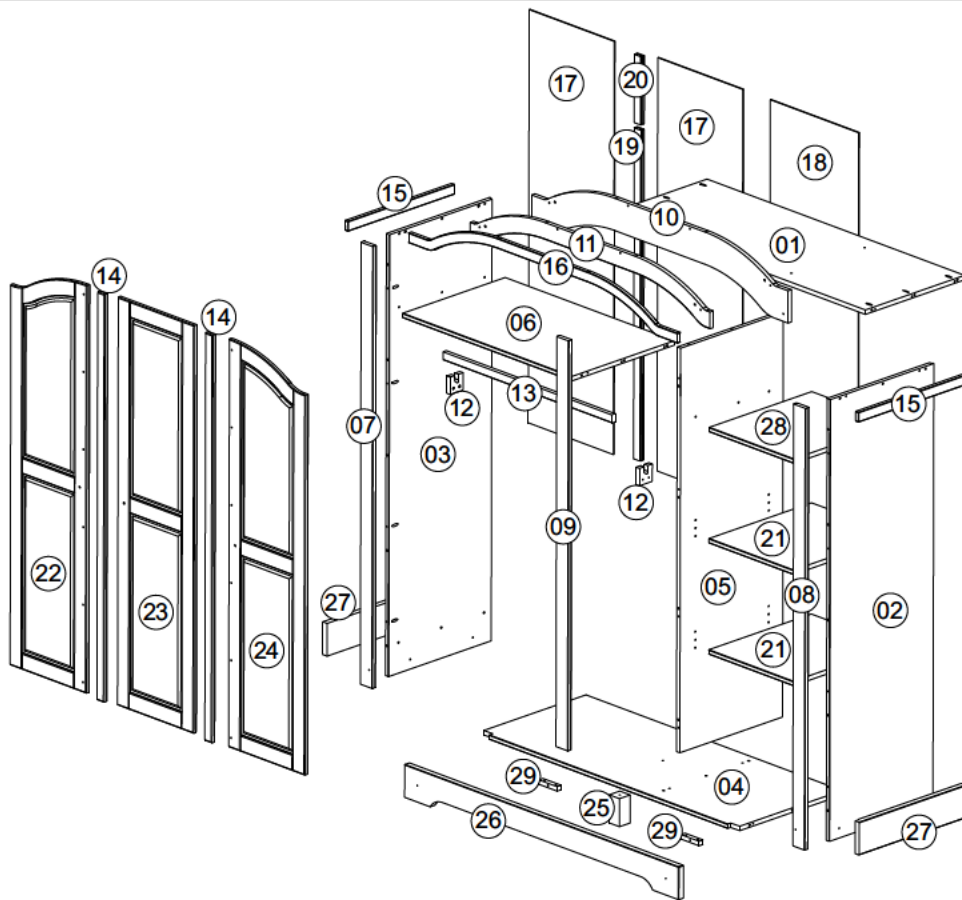
### IMPORTANT FOR DOMESTIC USE ONLY

PLEASE READ BEFORE YOU CONTINUE FURTHER

## CARE AND MAINTENANCE

After unpacking this product please keep the original packaging in case it needs to be returned for any reason.

- Please ensure all fittings and parts are present before commencing with assembly.
- We recommend that you lay a blanket or sheet on the floor to avoid damage to both your floor and the product.
- We strongly recommend that you keep children away from your work area.
- Assemble this product as close to its final position as possible.
- Never drag or push products as this could cause damage to the joints making it inferior.
- Do not place this product next to a radiator or in direct sunlight.
- Wood is a natural product and may expand if subjected to damp and may shrink or crack if subjected to heat. Therefore it is recommended that room temperature is maintained, with no sudden temperature fluctuations.
- Make sure any spillage is wiped off immediately.
- Do not place hot or chilled items directly on to the surface, use a place mat or marking will occur.
- For general cleaning use a duster, and do not use detergents of any kind. However, the surface will need to be retreated from time to time. This can be done by using block wax (unperfumed) and rubbing it over the whole item.
- From time to time it may be necessary to tighten fittings, regular inspections should be carried out.



\* Use of power tools to assemble this product will invalidate any claim and may damage this product making it unsafe!  
\* Please assemble on a clean soft surface to avoid damage.

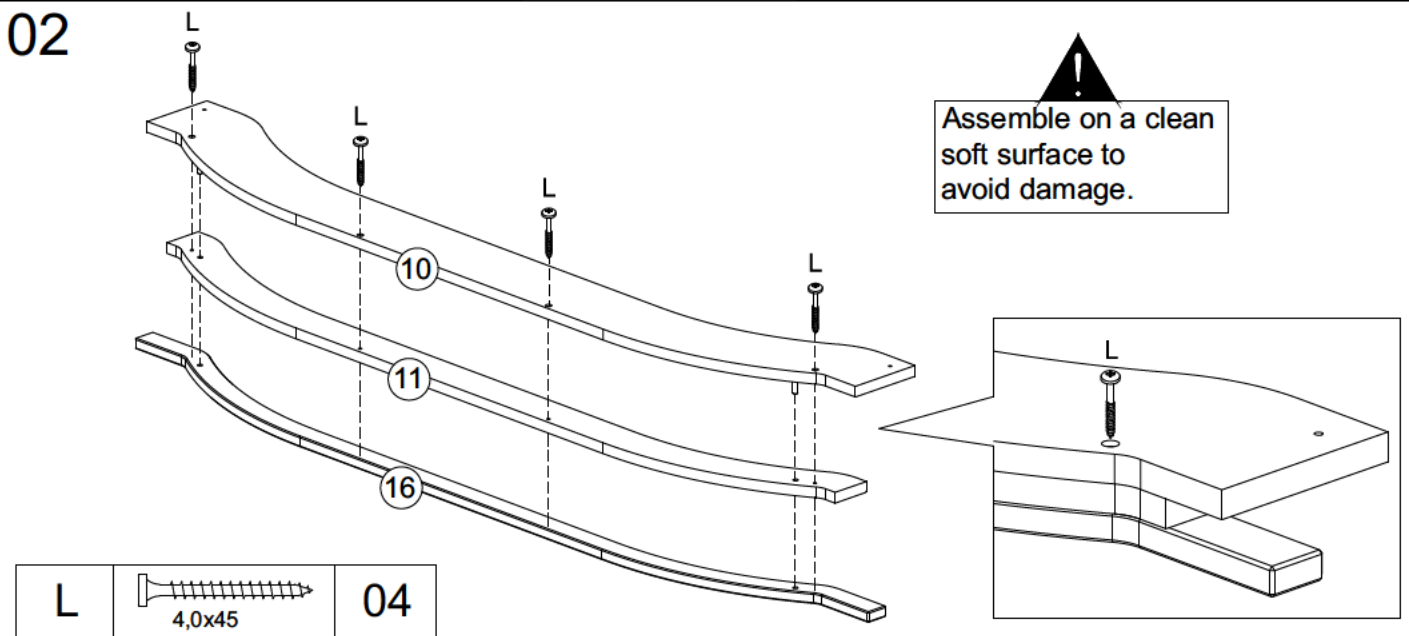
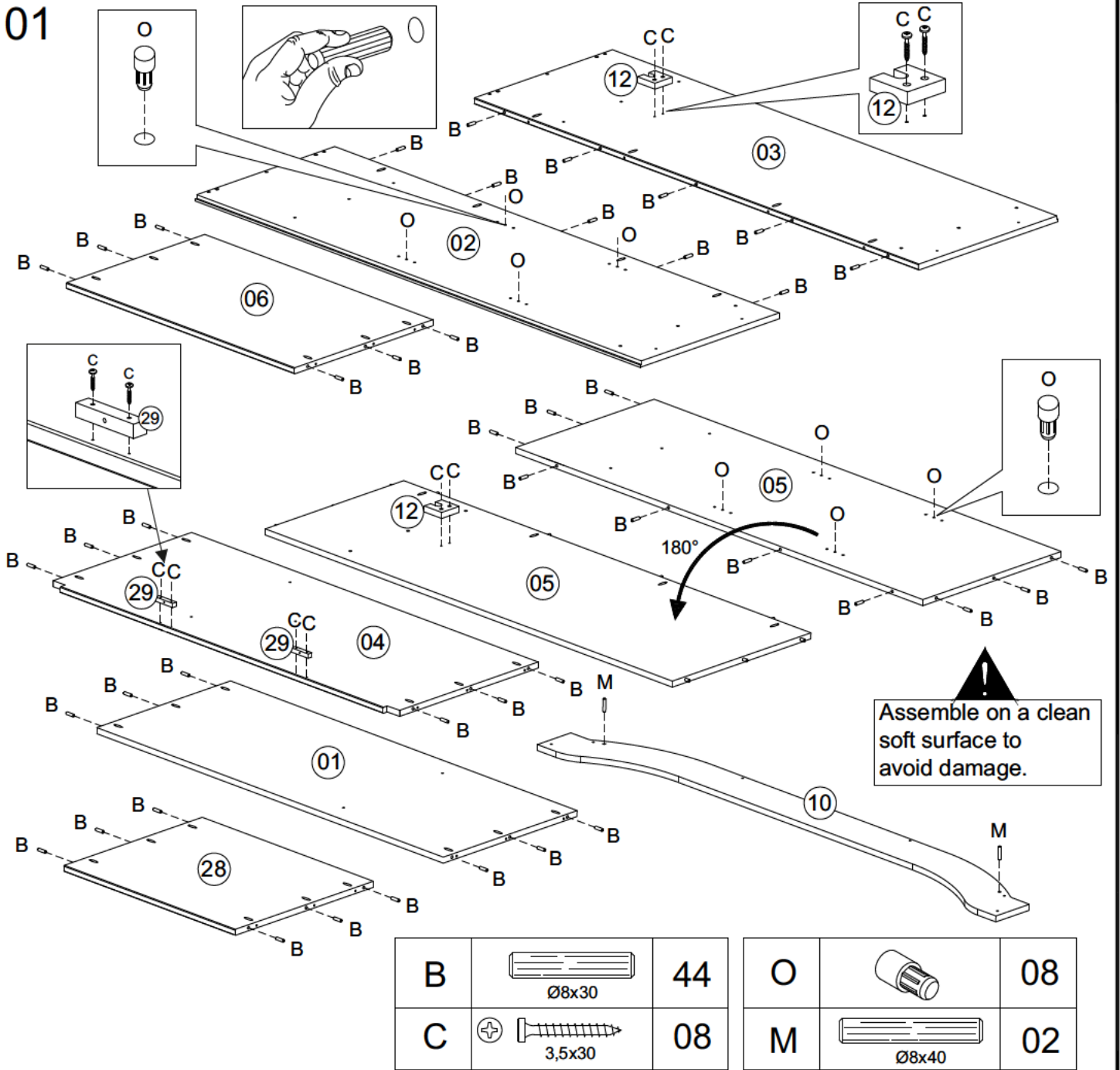
\* Please check contents and read instructions before commencing assembly  
\* Assemble this product following the instructions carefully.  
\* Please take care to avoid damaging parts during assembly.

## Parts List

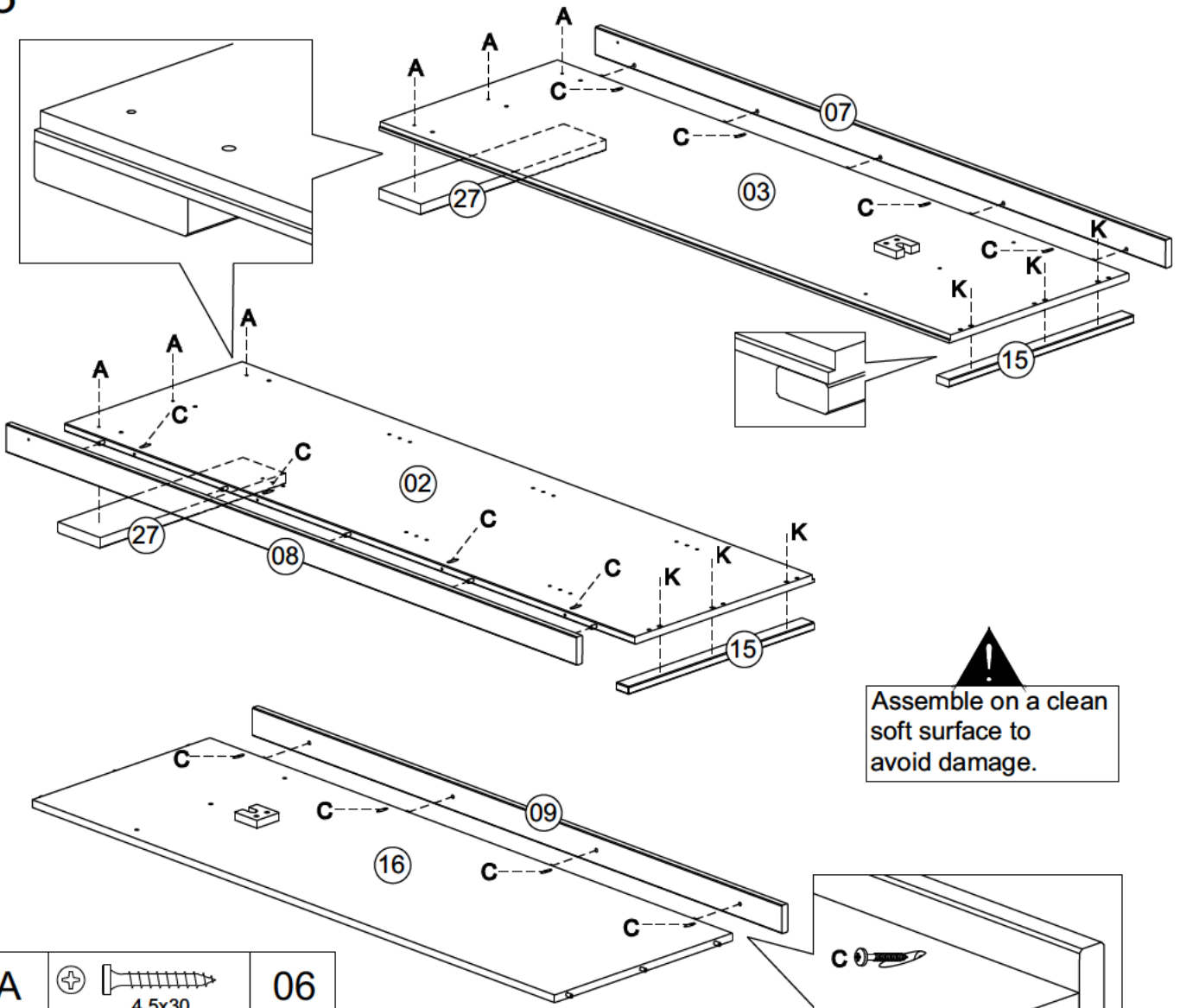
1	Top Panel	01	11	Top Middle Plinth	01	21	Adjustable Shelf	02
2	Right Side Panel	01	12	Hanging Rail Support	02	22	Left Door	01
3	Left Side Panel	01	13	Hanging Rail	01	23	Centre Door	01
4	Base	01	14	Door Strip	02	24	Right Door	01
5	Centre Panel	01	15	Top Side Plinth	02	25	Centre Foot	01
6	Large Shelf Fix	01	16	Top Front Plinth	01	26	Bottom Front Plinth	01
7	Left Front Upright	01	17	Small Back Panel	02	27	Bottom Side Plinth	02
8	Right Front Upright	01	18	Large Back Panel	01	28	Small Fixed Shelf	01
9	Centre Front Upright	01	19	Back Strut (Bottom)	01	29	Support Block	02
10	Top Back Plinth	01	20	Back Strut (Upper)	01			

## Fittings

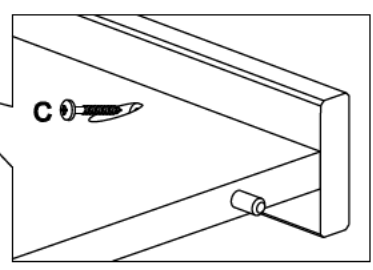
A		36	F		06	J		09	N		02
B		44	G		06	K		06	O		08
C		20	H		12	L		09	P		01
D		50	I		03	M		02			
E		78									






# 03

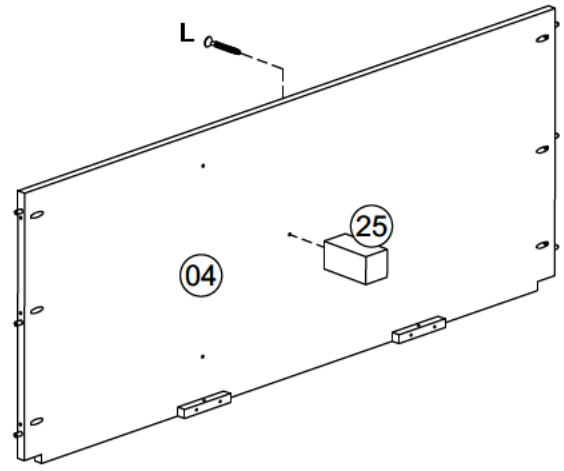



**!**  
Assemble on a clean soft surface to avoid damage.



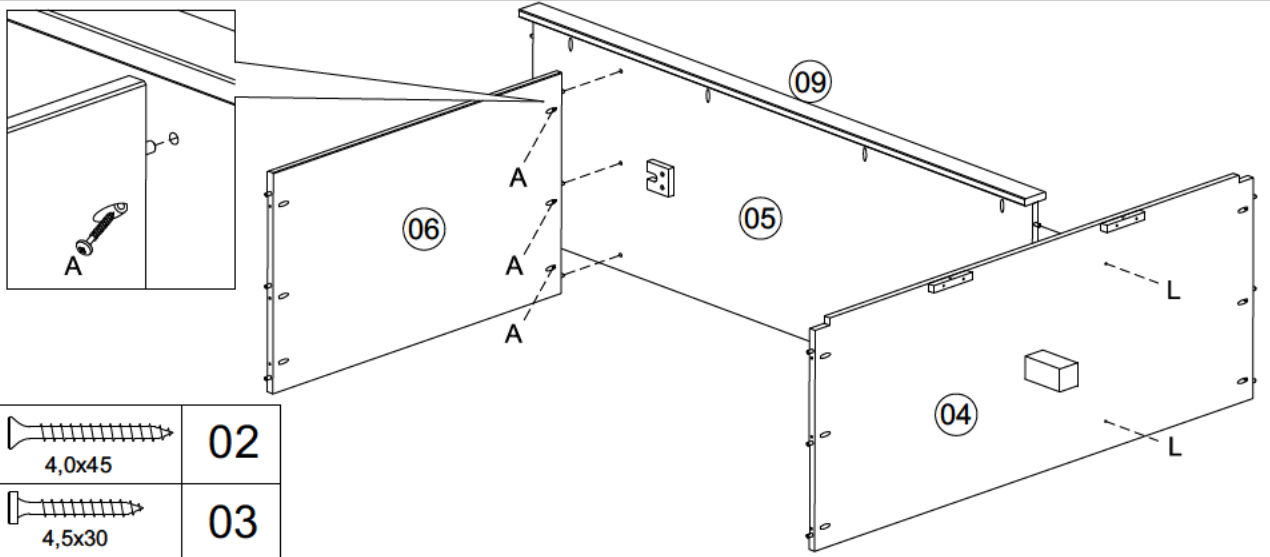
A	 4,5x30	06
C	 3,5x30	12
K	 4,5x25	06

# 04



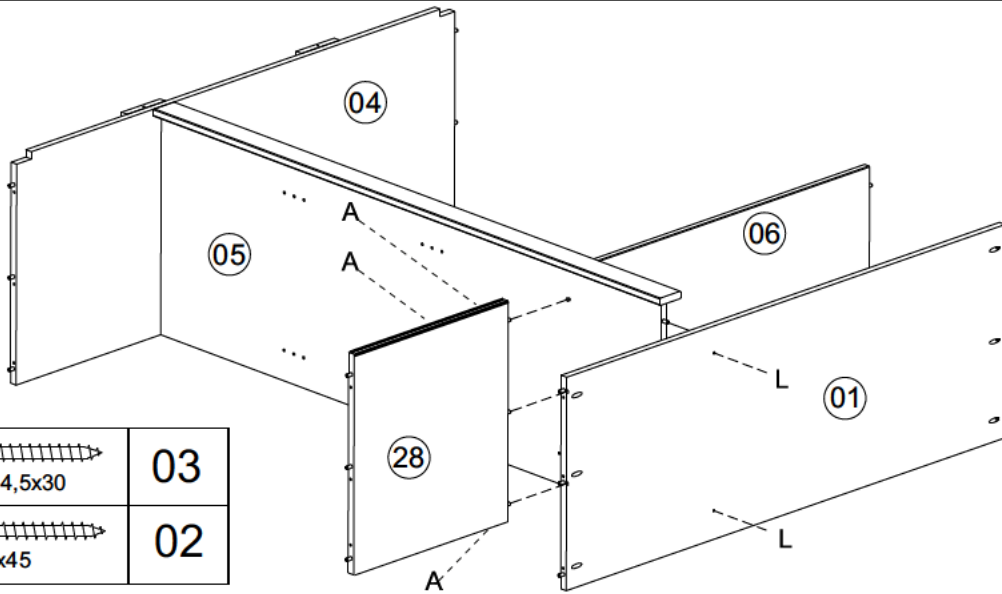
L	 4,0x45	01
---	--	----

05



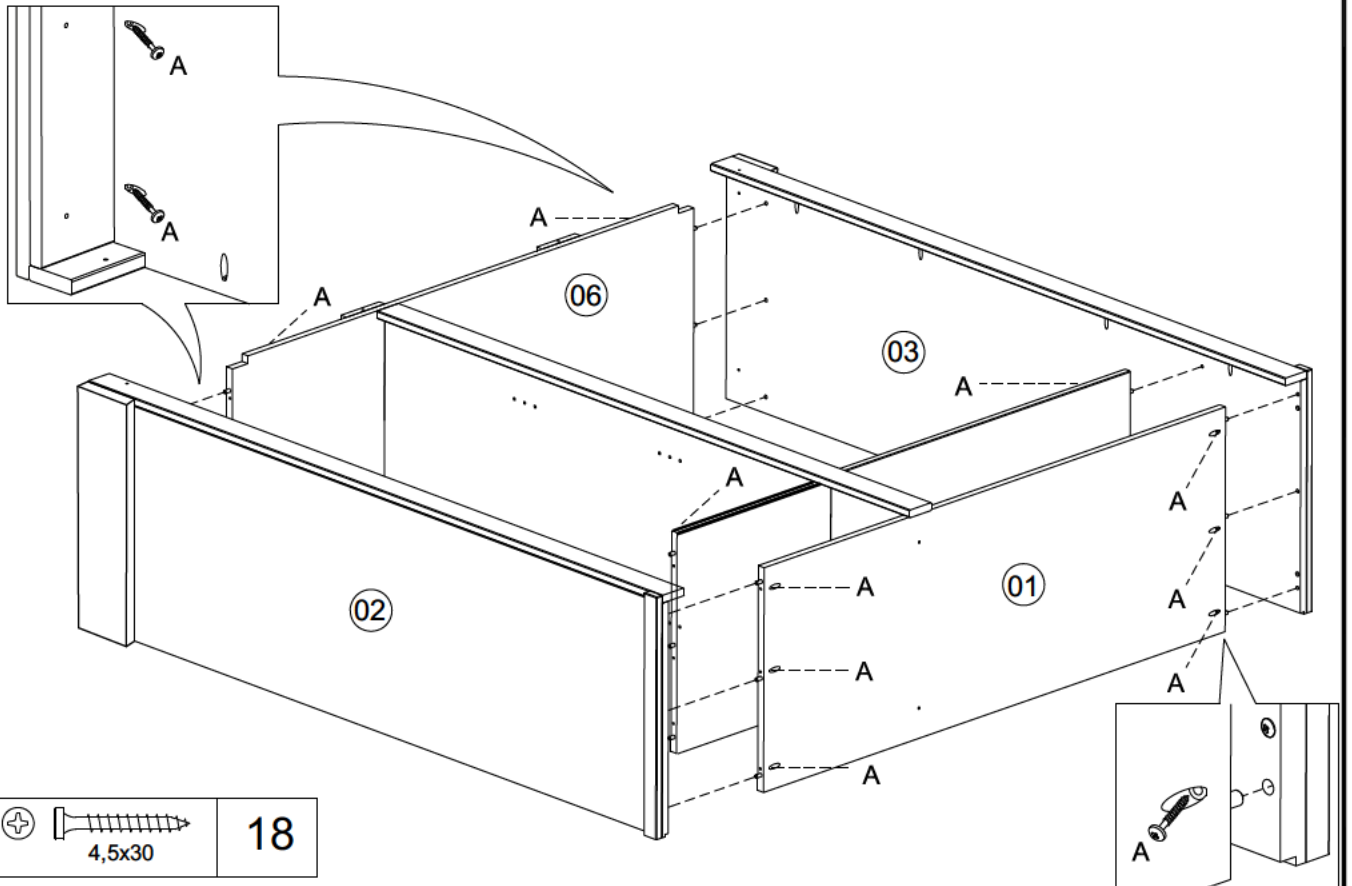
L		02
A		03

06



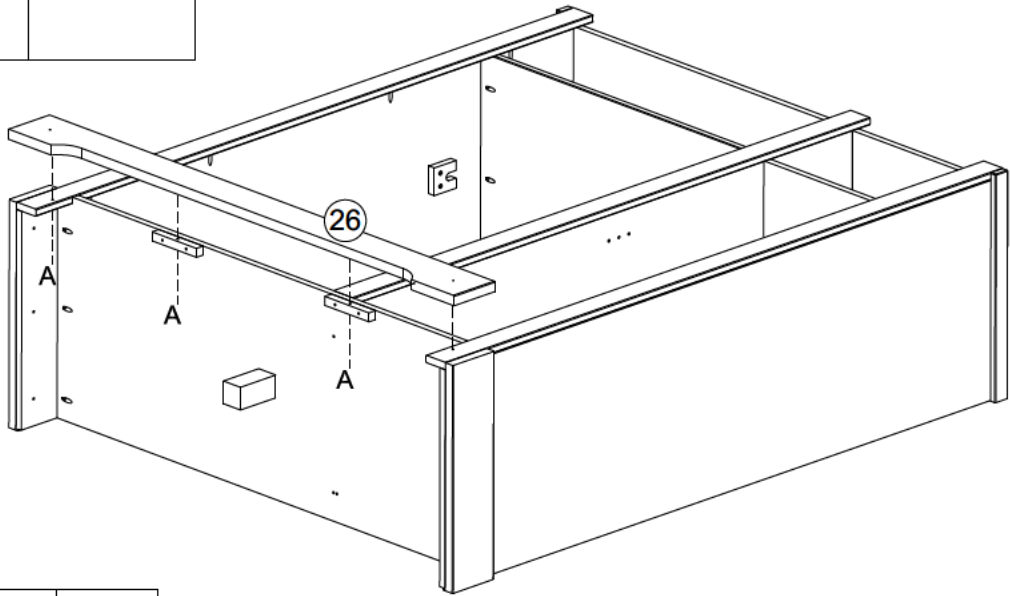
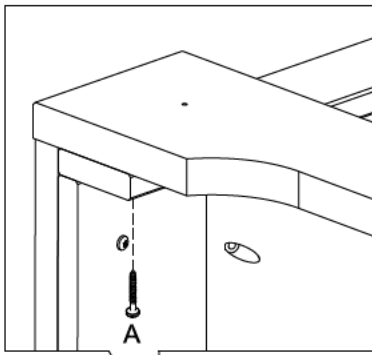
A		03
L		02


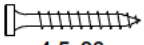
07



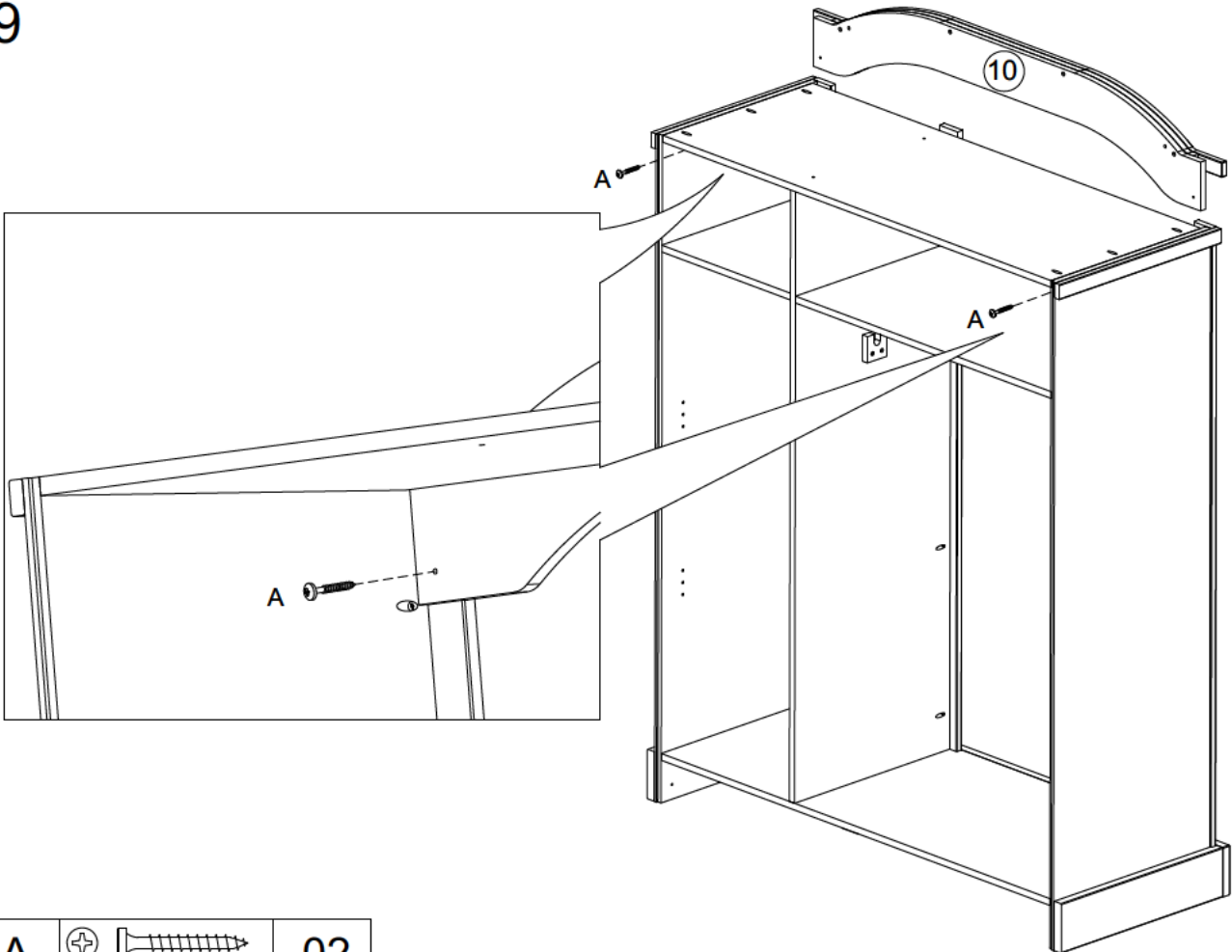
A		18
---	--	----


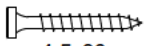
08



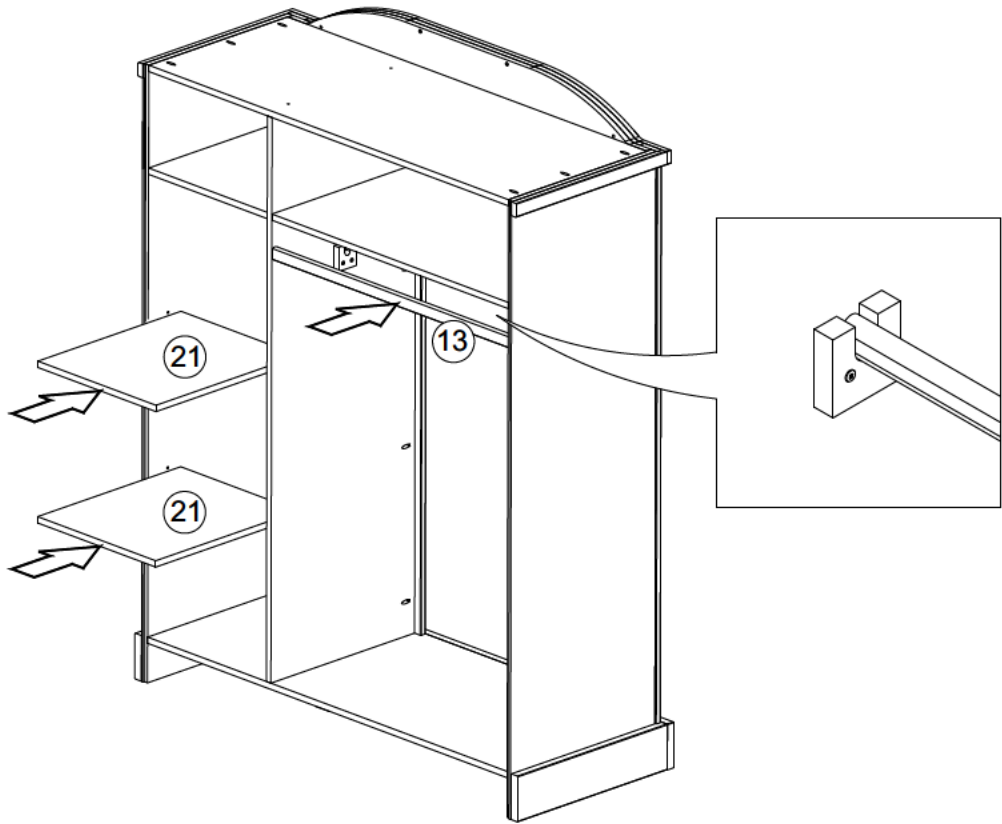
A			04
		4,5x30	

09



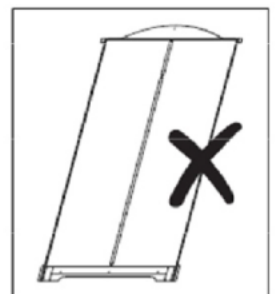
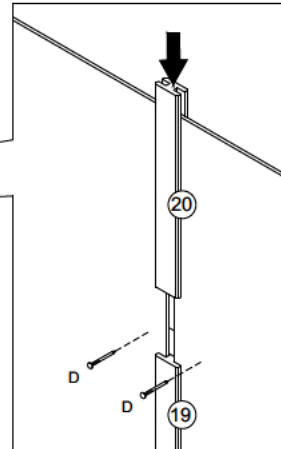
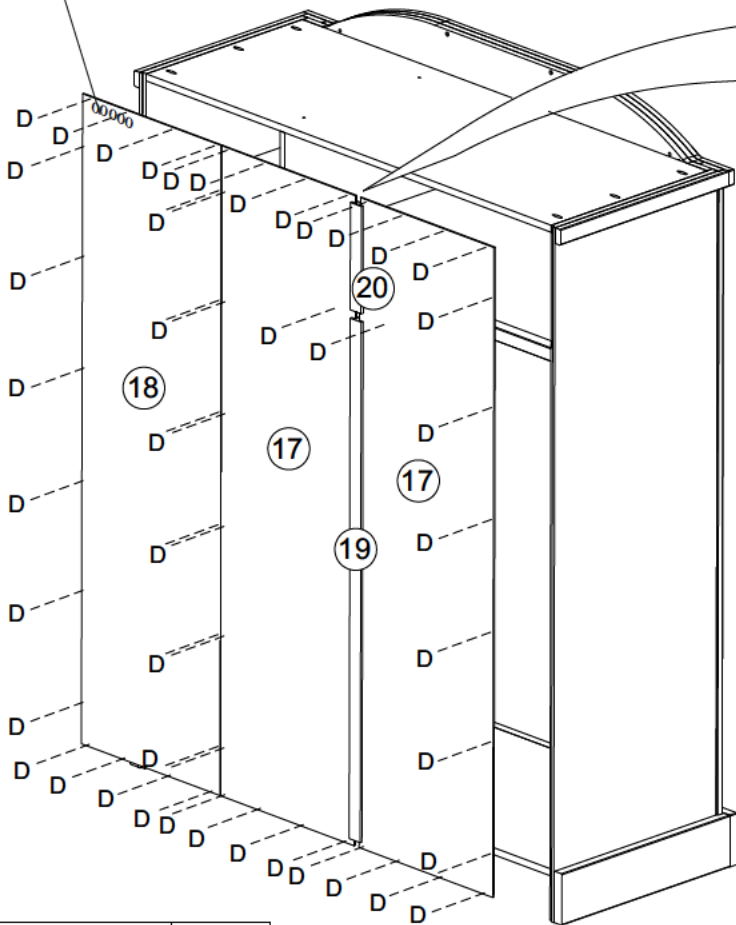
A			02
		4,5x30	

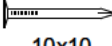
10

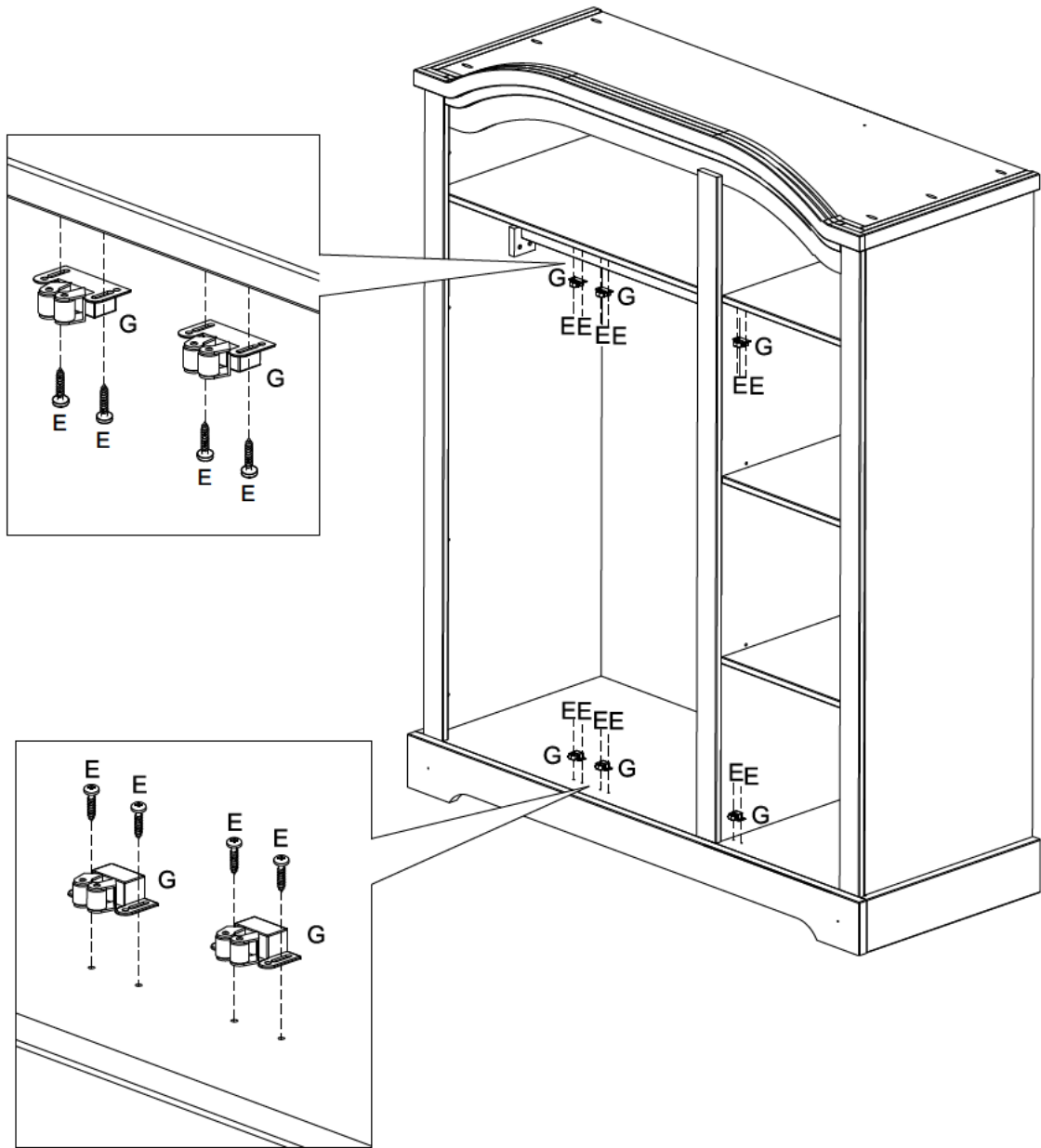



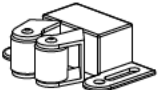
11

\* For your future reference SPD Number should be here

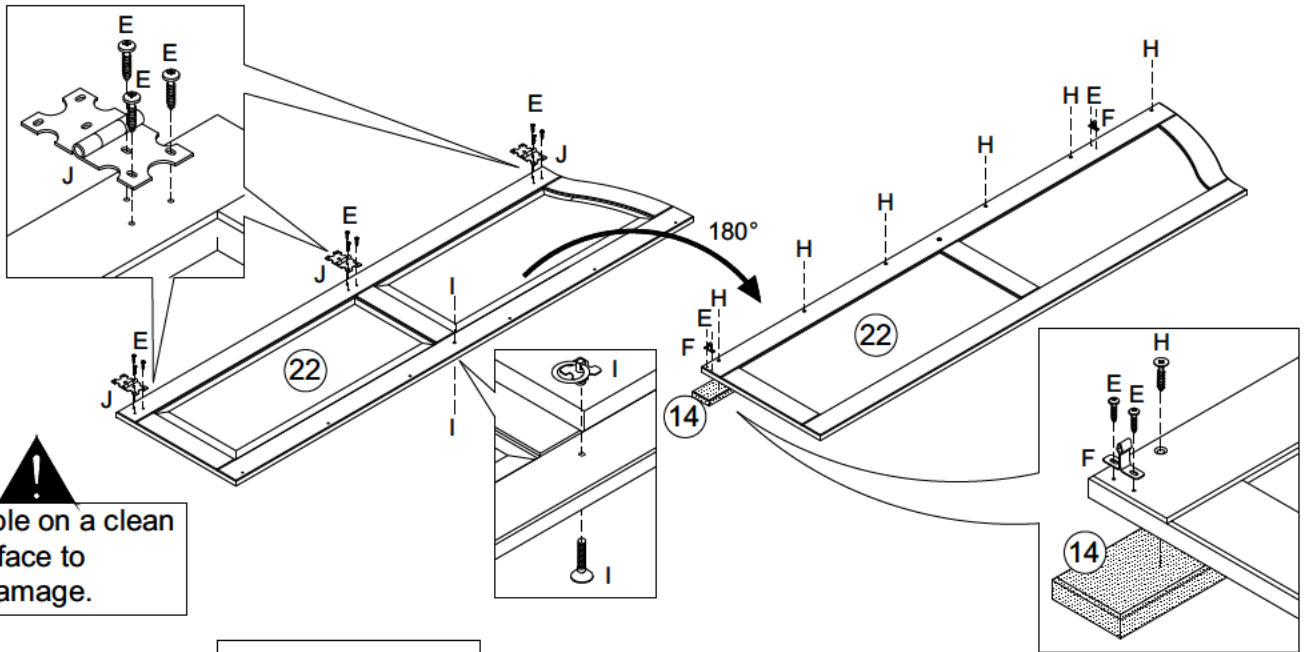


D	 10x10	50
---	--	----

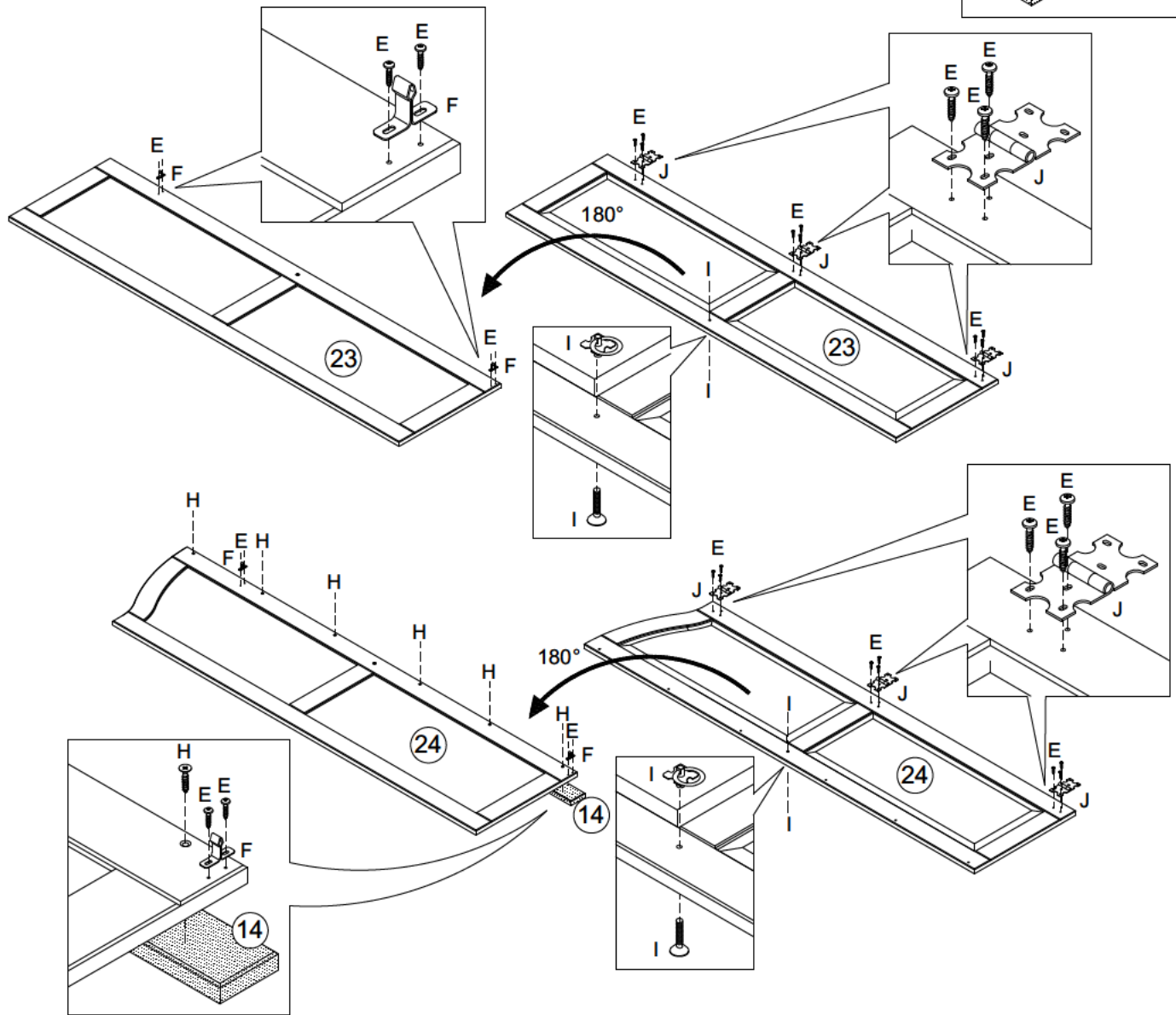


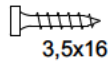

E	 3,5x16	12
G		06

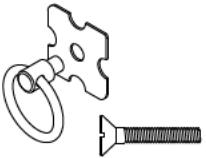
13


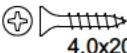


**!**  
Assemble on a clean soft surface to avoid damage.

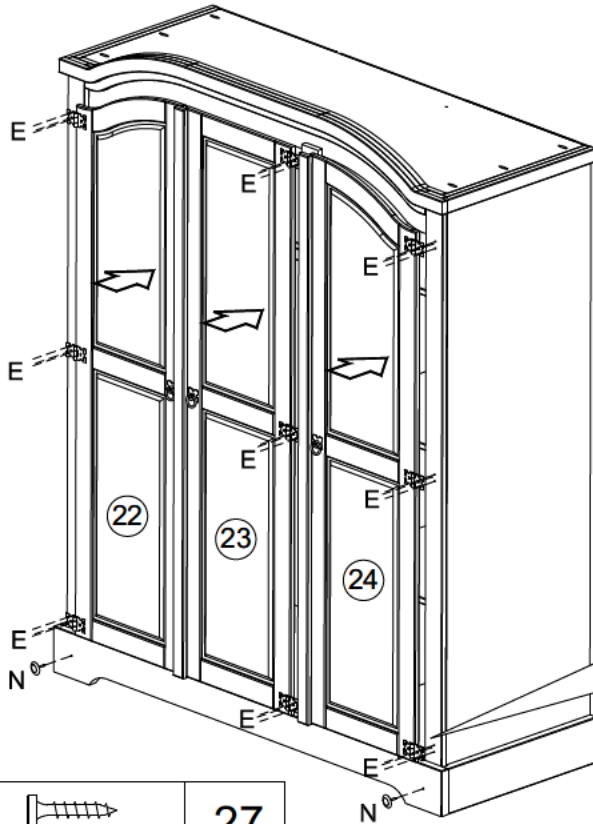


E	 3,5x16	39
F		06

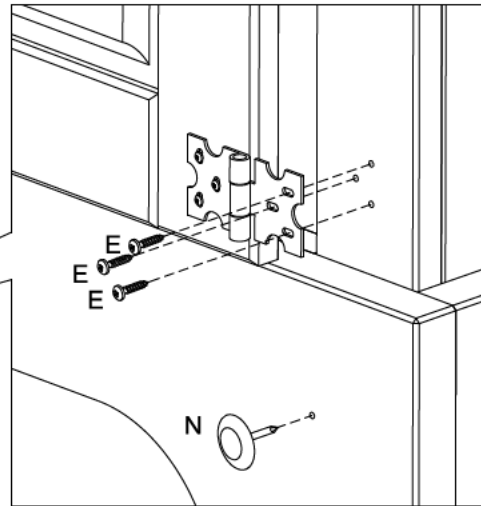
I		03
---	---	----

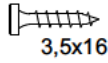

J		09
H	 4,0x20	12

14



**!**  
 WHEN FITTING THE DOORS HINGE ( J ) CAREFULLY LINE UP THE SCREW HOLES WITH THOSE PRE-MARKED ON THE SIDE, THIS WILL ENSURE THE DOORS HANG CORRECTLY.



E	 3,5x16	27
N		02

## WARNING

**Serious or fatal injuries can occur from furniture tipping over. To prevent the furniture from tipping over we recommend that it is permanently fixed to the wall.**

Wall fixings are not supplied with this product as different wall materials require different types of fixing devices.

Please make sure you use fixings suitable for the walls in your home.

### P- HARDWARE LIST



Strap (Anti-Tip Kit)  
(1x)



Wood Screw (Anti-Tip Kit)  
3,5 x 25mm (1x)



Washer (Anti-Tip Kit)  
(2x)

