

WARRANTY

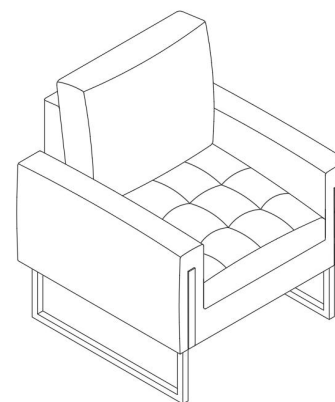
We strive to offer high-quality products, and we also try our best to satisfy each and every customer that orders from us with product or service as needed. We provide 30 days warranty starting from the time you receive the item. Each customer must provide a record of their order such as the order number, or item receipt for any items that are out of the warranty period you may also still receive replacement parts by purchasing them with our company if they are available.

**Are you having difficulty
with assembly? Missing parts?**

**Please send email with your order No to
customerservice@hulalahome.com**

**For return, please check the return policy with
the retailer or market place you bought from.**

**Appreciate your purchasing from us.
Pop up your life by our furniture piece!**



ITEM NO. CHHQ0419

NOTE:

This brochure contains IMPORTANT safty info. Please read and keep for future reference.

MAINTAINANCE AND WARNING

- Keep furniture away from heat.
- Do not clean furniture with harsh cleansers or polish. Do not use detergents, Solvents, abrasives, spray packs or leather cleaner. Use non-color mild soap with warm water clean spills(Mix 1:10 soap to water)
- Do not place furniture under direct sunlight, material will possibly fade over time.
- Do not use on site dry Cleaning machine.
- Children should not climb or jump on the furniture.
- Do not write on furniture without a padded barrier to protect the surface.
- Not for commercial use, For residential use only.

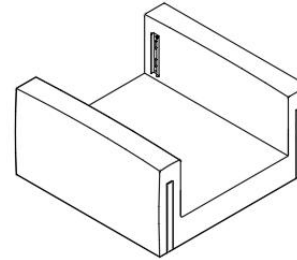


Weight Limitation

250LBS

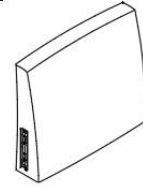
PARTS LIST

A*1



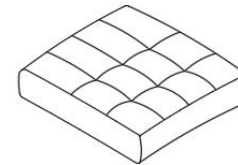
Seat Frame

B*1



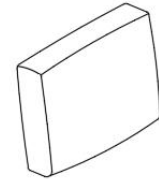
Back

C*1



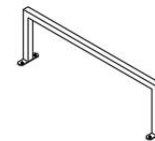
Seat Cushion

D*1



Back Cushion

E*2



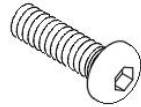
Metal Base

HARDWARE LIST

F*1



G*12
M6*25mm



H*2



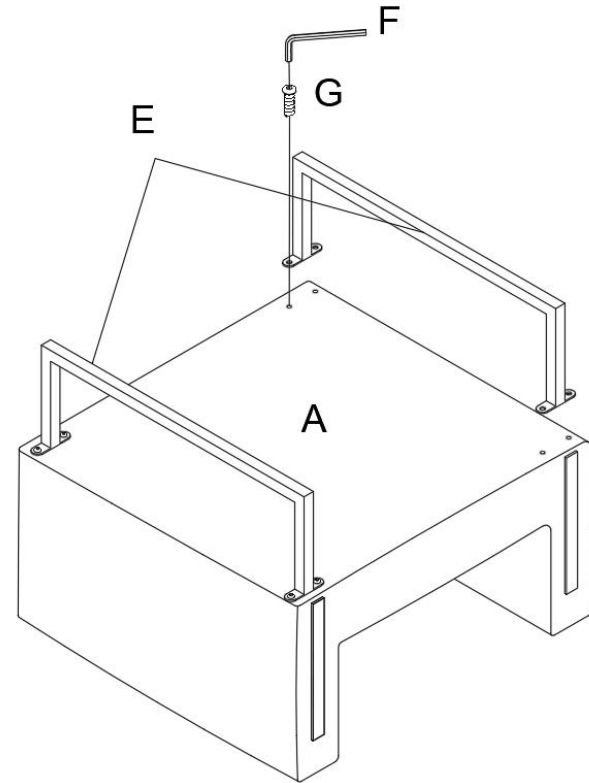
SPARE

G*1
M6*25mm

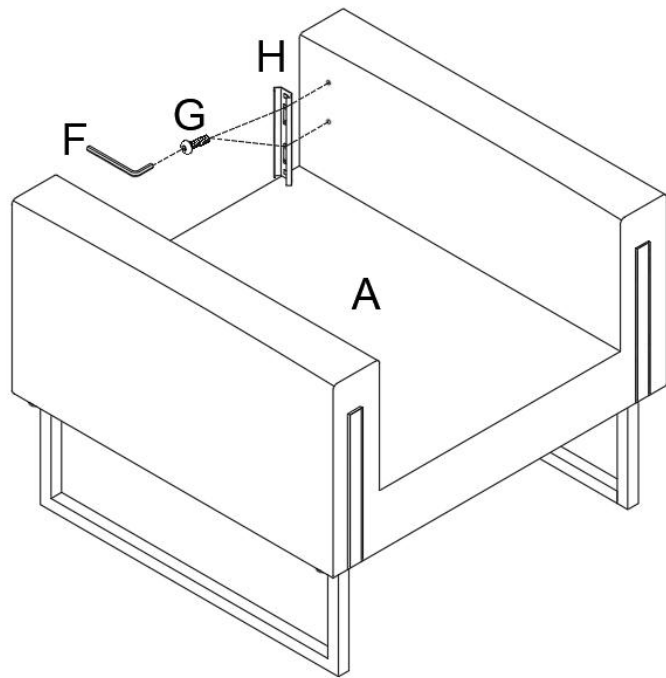


Be sure to check all packing material carefully for small parts, which may have come loose inside the carton during shipment.

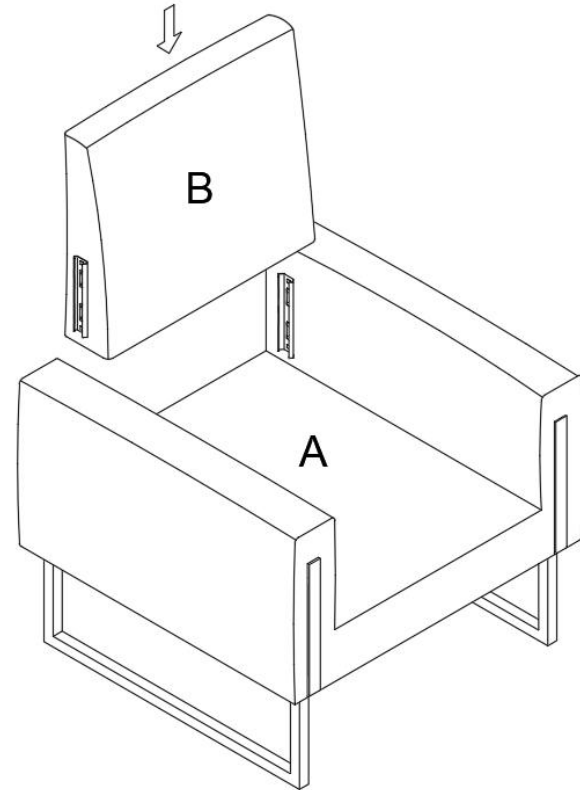
ASSEMBLY INSTRUCTIONS



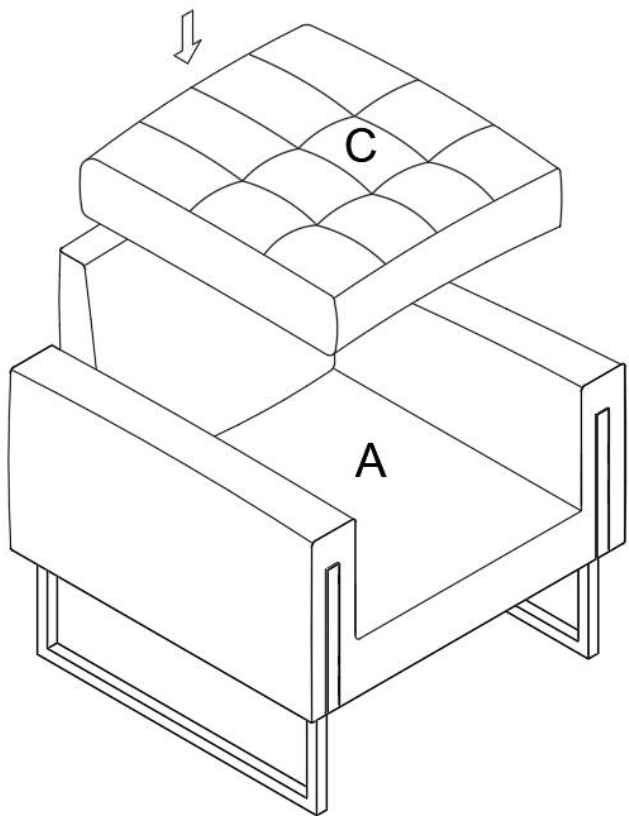
STEP 1: Use bolt G, allen key F to connect the metal base E with seat frame A, make sure all bolt holes on metal base plate align with holes on bottom of seat frame then fasten all bolts to secure



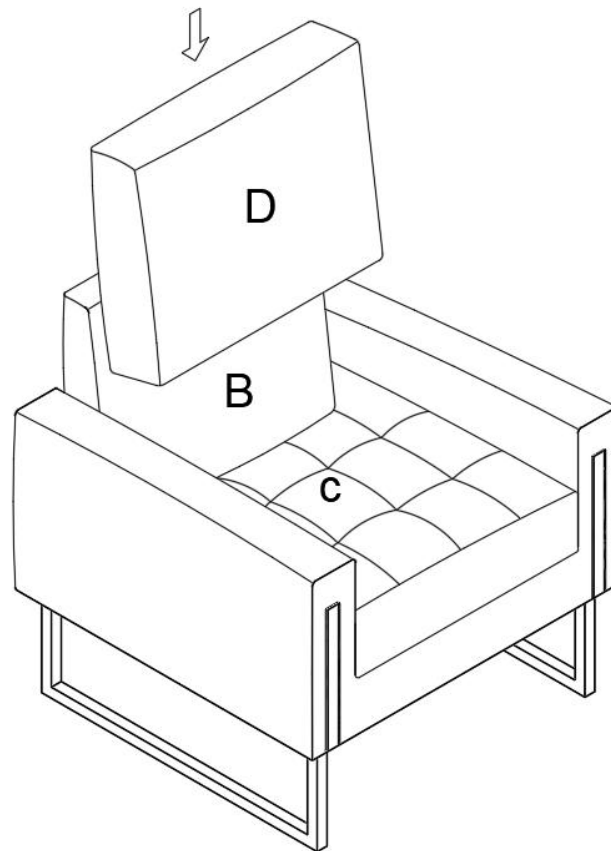
STEP 2: Turn over the assembled chair base, Use bolt G, allen key F to attach female metal bracket H to left/right inside of the rear armrest, Make sure the arrow on inside of barcket on upside direction.



STEP 3: Make sure male and female metal bracket align on both sides then push the back B all the way down to secure the back on between arms.



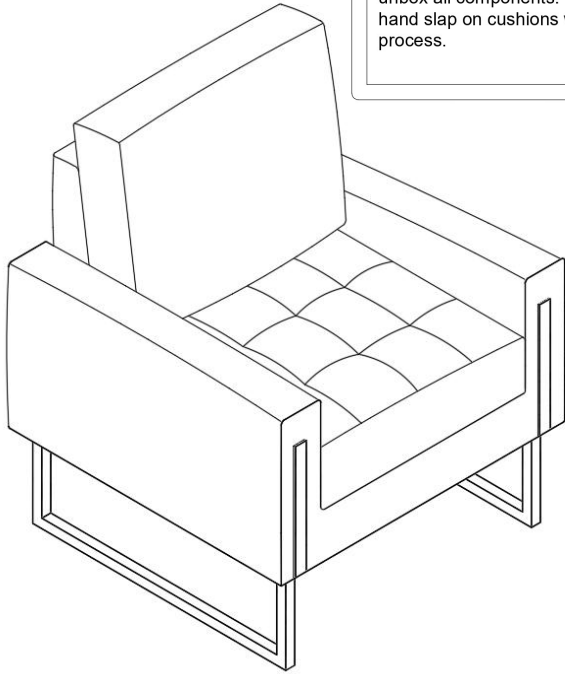
STEP 4:Place seat cushion C on top of seat frame A. Make sure gap around seat cushion sits evenly.



STEP 5:Place the back cushion in front of back B and on top of rear of seat cushion C.



Iron the fabric cover to stretch the wrinkles with steam iron while necessary. Please wait 48 hours for the compressed foam or polyester pillow filler to spring back after unbox all components. Hair dryer blow or hand slap on cushions will speed up the process.



Assembly completed