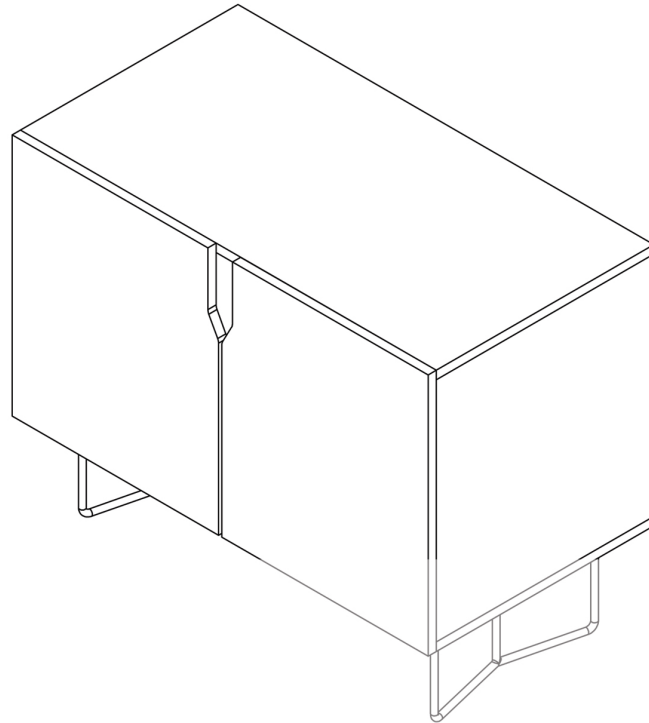
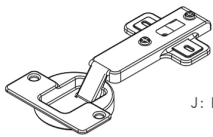


# ASSEMBLY INSTRUCTIONS



## WHAT'S INCLUDED:



J: HINGE  
x4



K: WOOD DOWELS  
x28



L: LONG SCREWS  
x8



M: SHORT SCREWS  
x16



N: SHELF PEGS  
x4

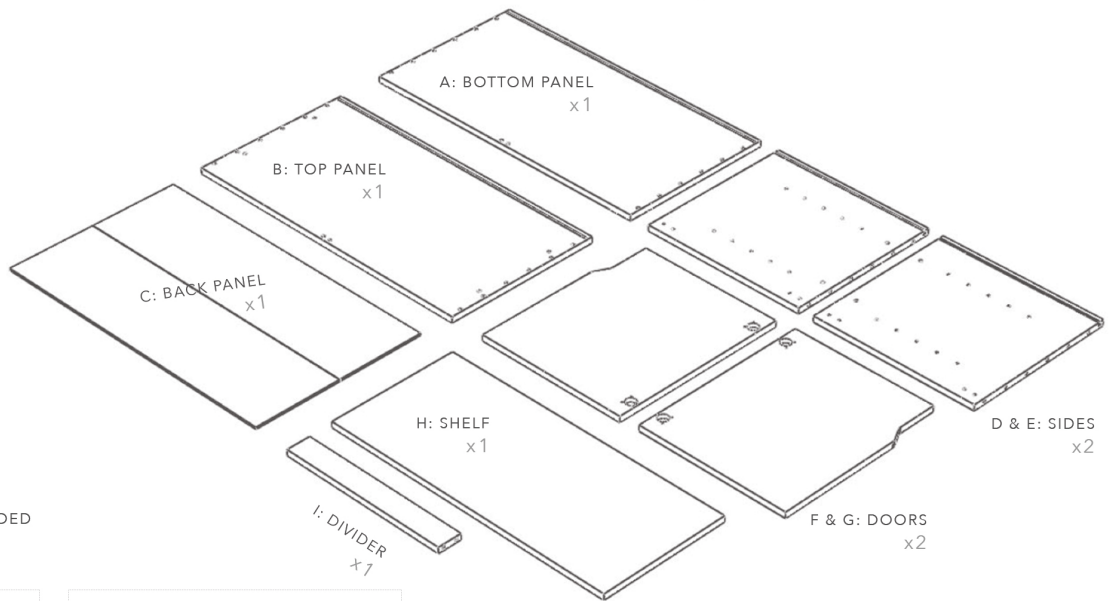


O: L BRACKETS  
x4

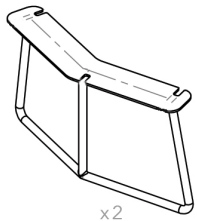


M: SHORT BLACK SCREWS  
x8

\*NOTE: EXTRAS MAY BE INCLUDED



### LEG:



x6

x4

x1

x2

### TAPERED LEG:



x4



x4

x16

x16



DO NOT USE AN  
ELECTRIC  
SCREWDRIVER

## YOU WILL NEED:



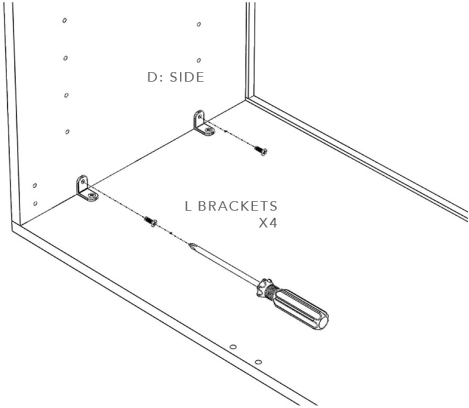
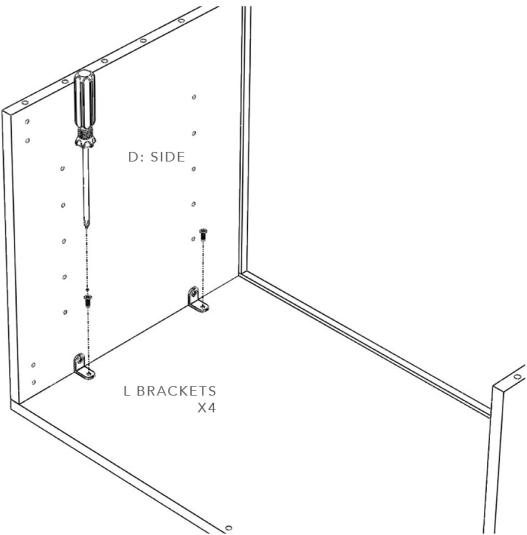
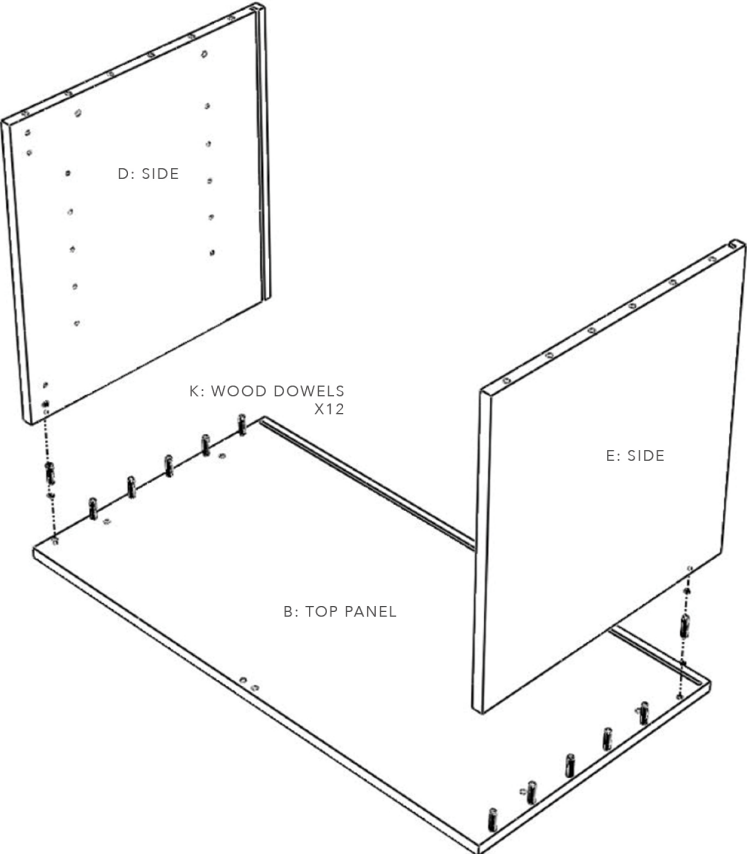
PHILLIPS HEAD  
SCREWDRIVER



YOU AND ANOTHER HELPER

**ASSEMBLY INSTRUCTIONS**

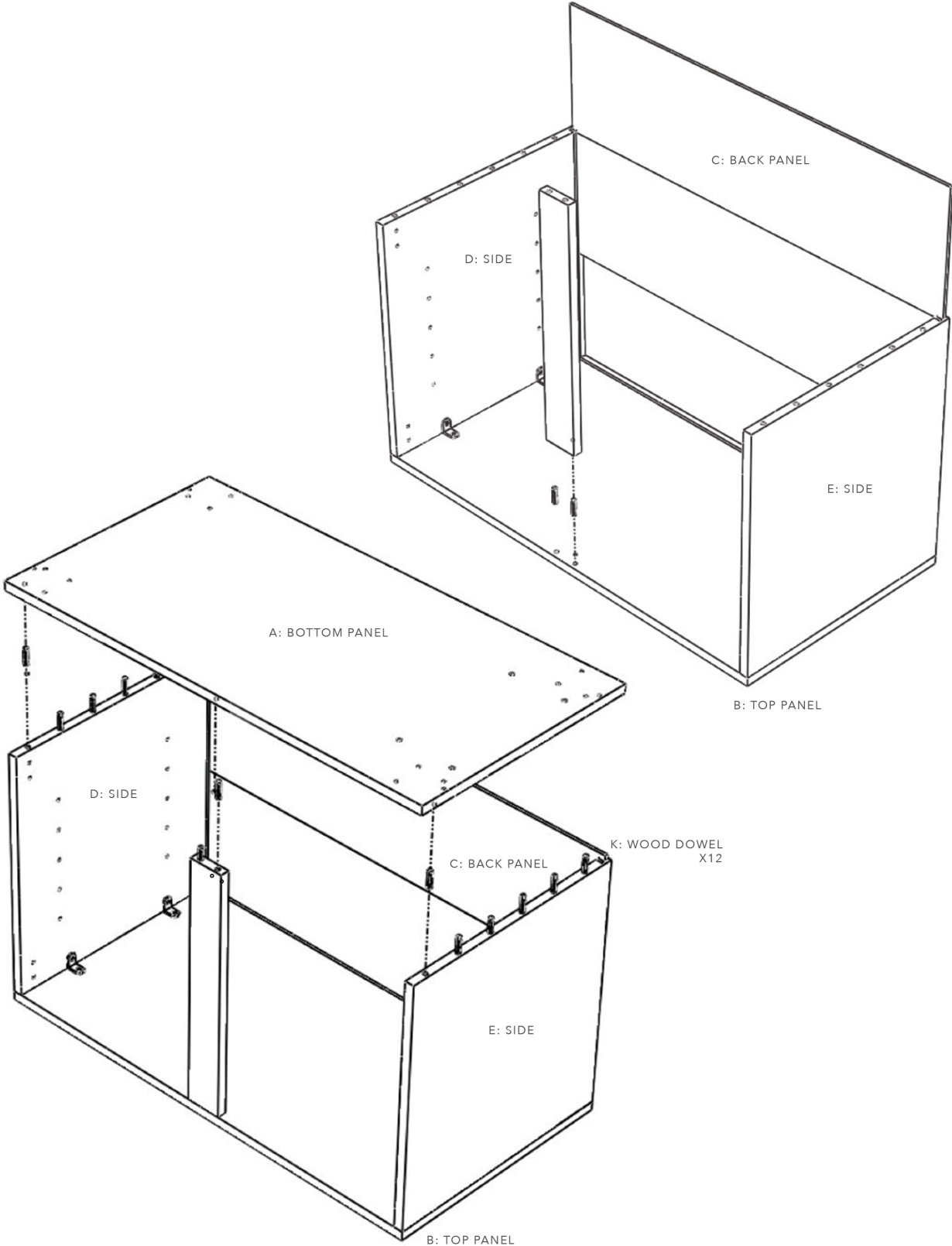
**PRO TIP:** TO PROTECT THE WOOD, ASSEMBLE ON TOP OF THE CARDBOARD SHEETS INCLUDED IN YOUR PACKAGING.



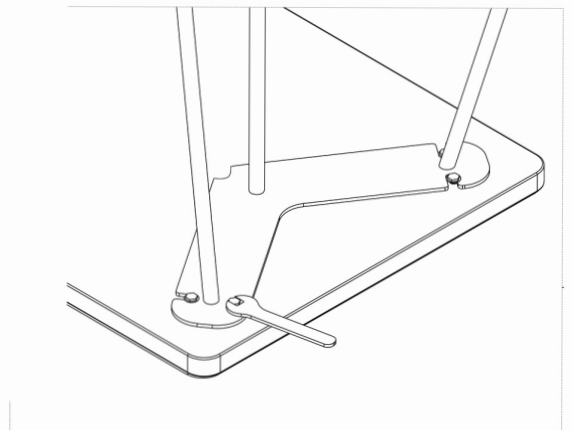
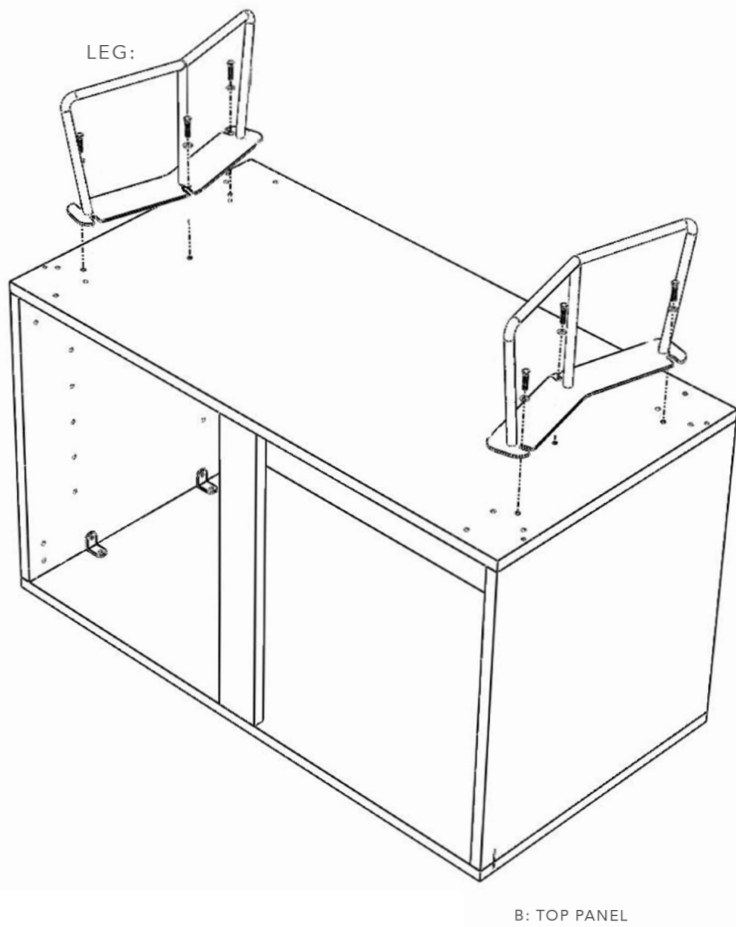
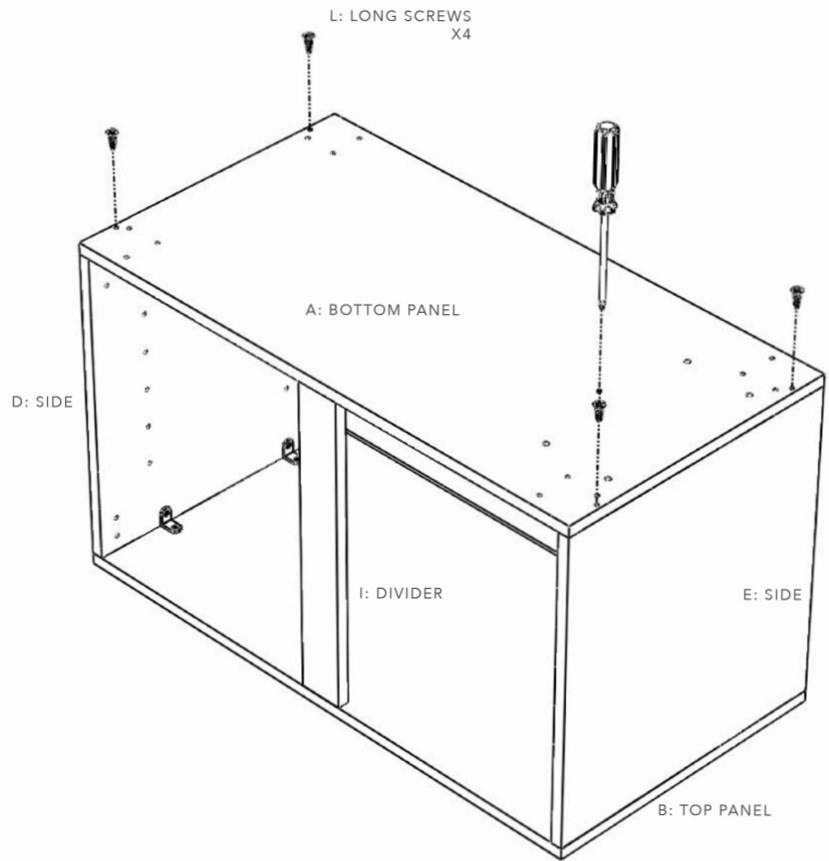
REPEAT AND ADD L BRACKETS ON SIDE E

**ASSEMBLY INSTRUCTIONS**

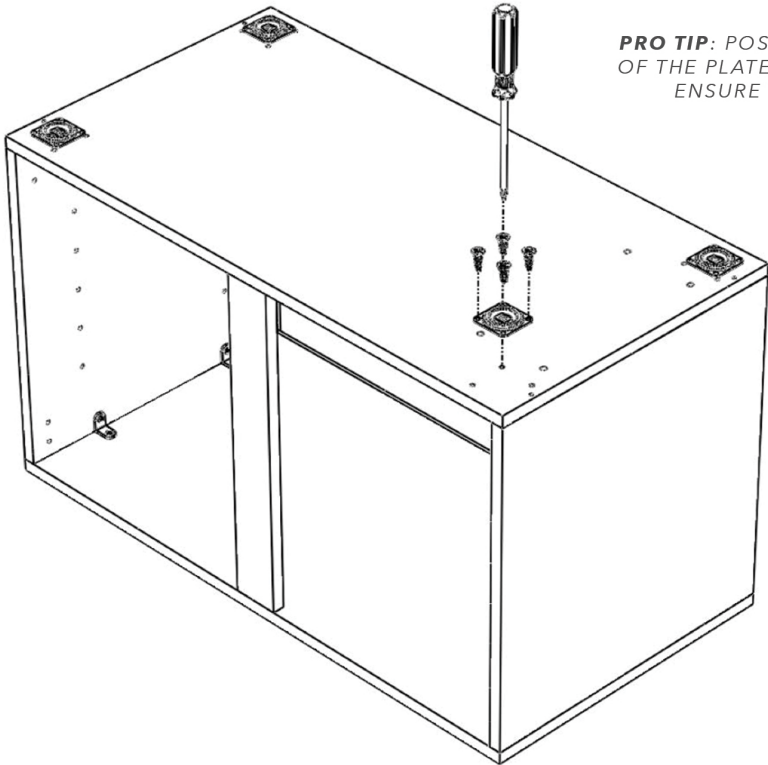
**PRO TIP:** TO PROTECT THE WOOD, ASSEMBLE ON TOP OF THE CARDBOARD SHEETS INCLUDED IN YOUR PACKAGING.



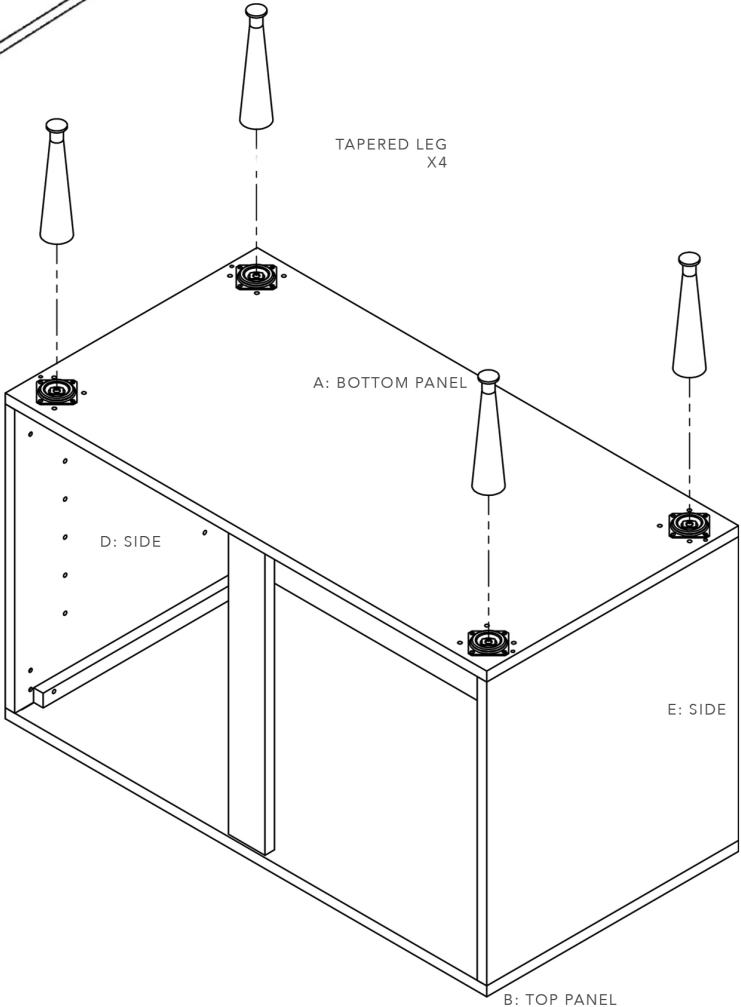
# ASSEMBLY INSTRUCTIONS



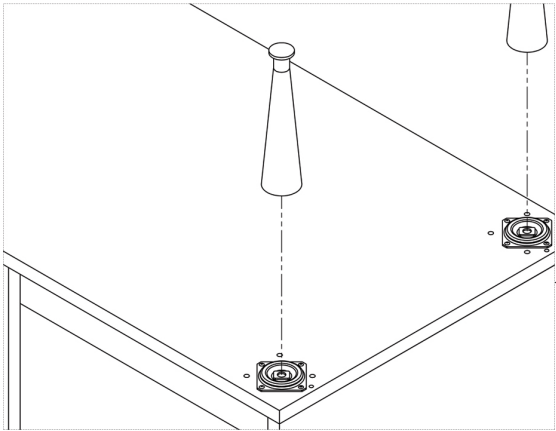
**ASSEMBLY INSTRUCTIONS**



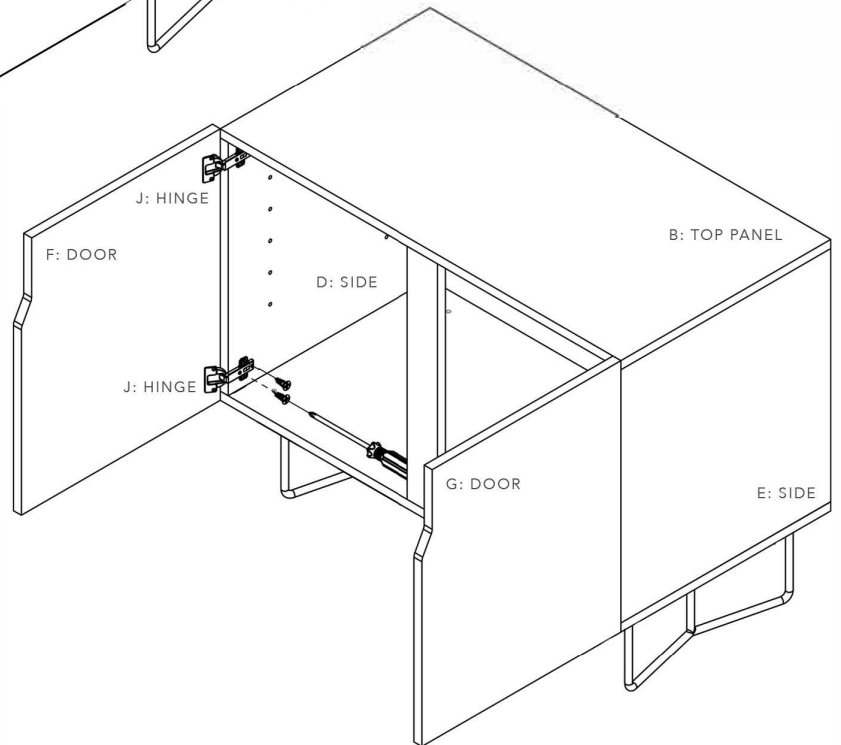
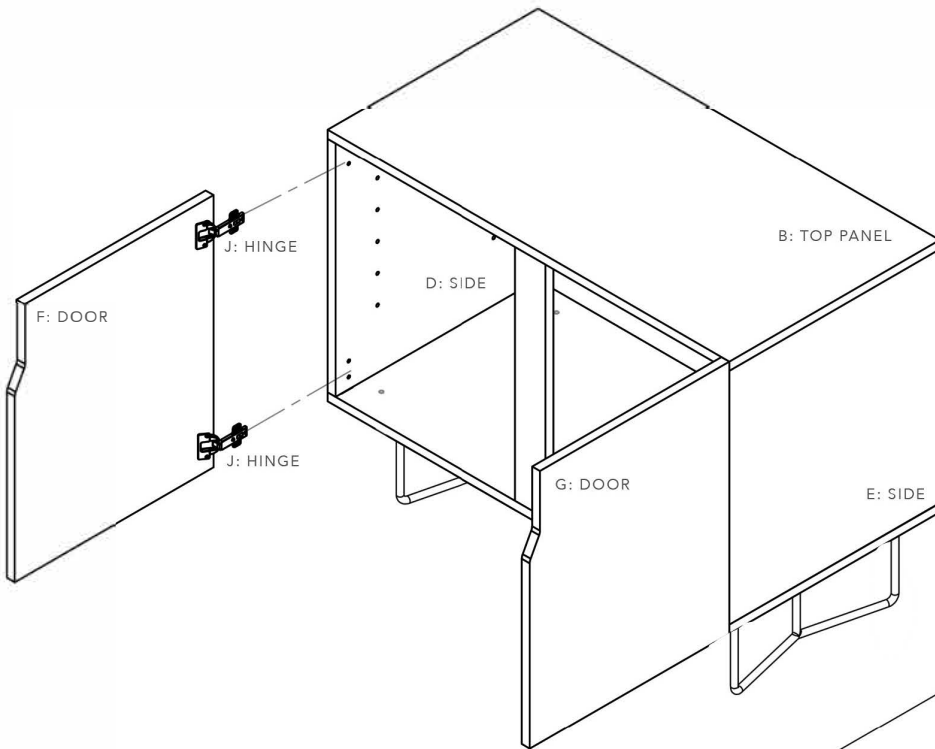
**PRO TIP:** POSITION THE LEG PLATES SO THAT THE ANGLED PART OF THE PLATE IS FACING INWARD FROM EACH CORNER. THIS WILL ENSURE YOUR WOODEN LEGS ARE ANGLED CORRECTLY.



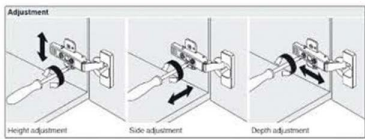
TAPERED LEG:



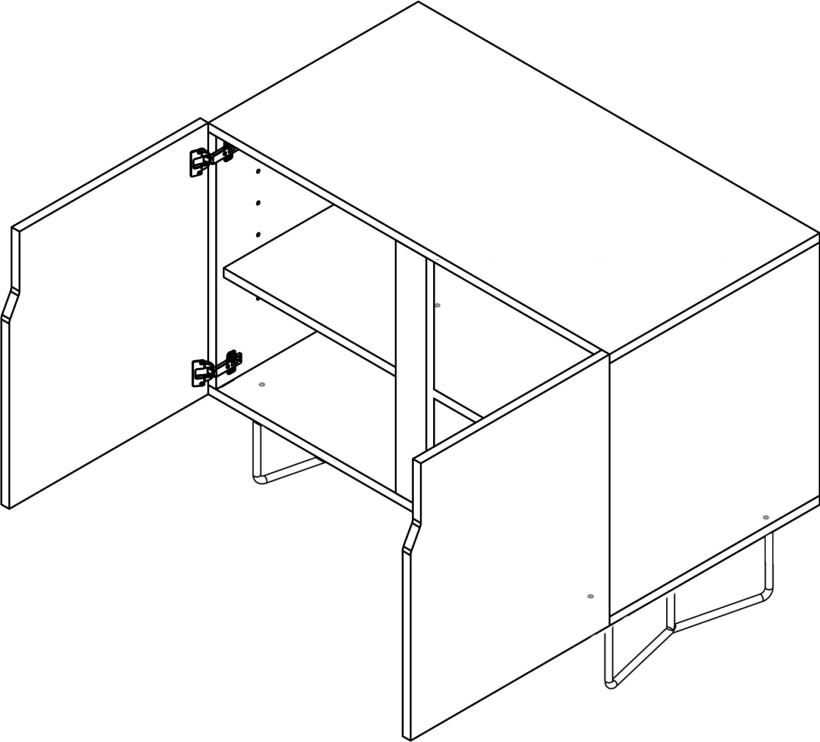
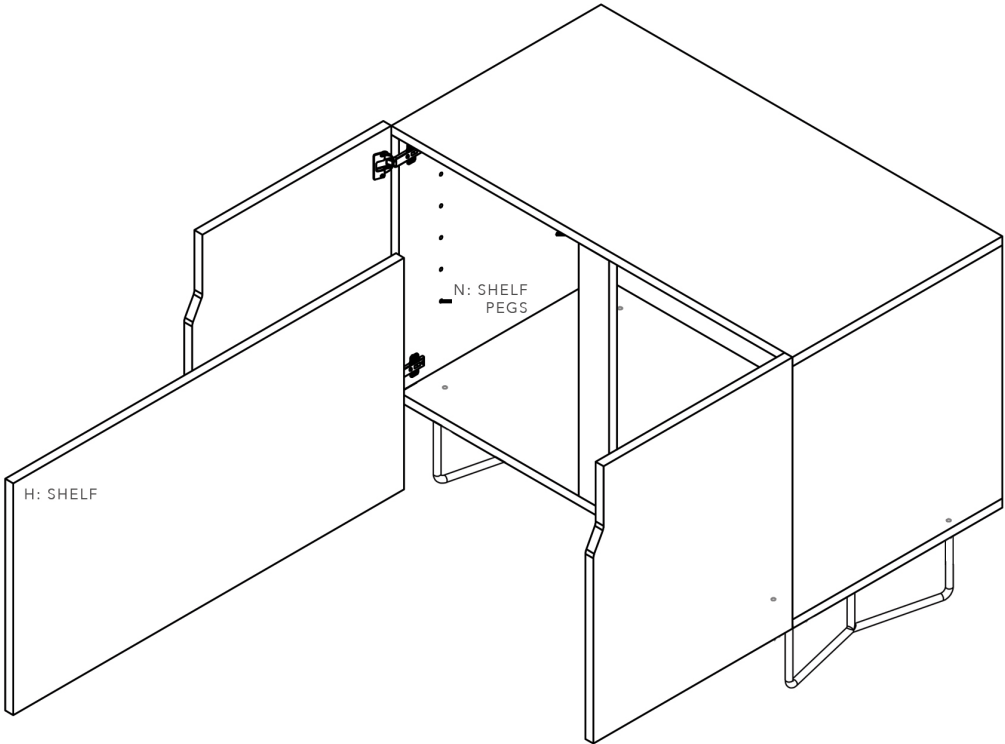
# ASSEMBLY INSTRUCTIONS



SOME ADJUSTMENTS ON DOOR HINGES WILL BE NECESSARY.



**ASSEMBLY INSTRUCTIONS**



**PRO TIP:** TO PROTECT WOOD AND HARD FLOORS, USE INCLUDED FELT PROTECTORS UNDERNEATH THE CREDENZA LEGS.