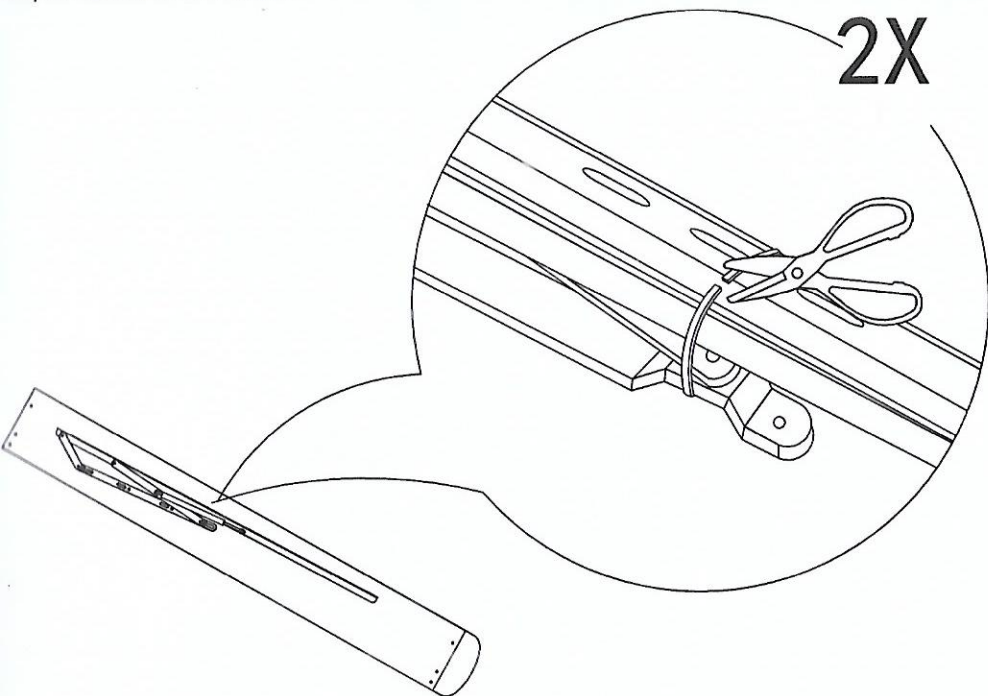
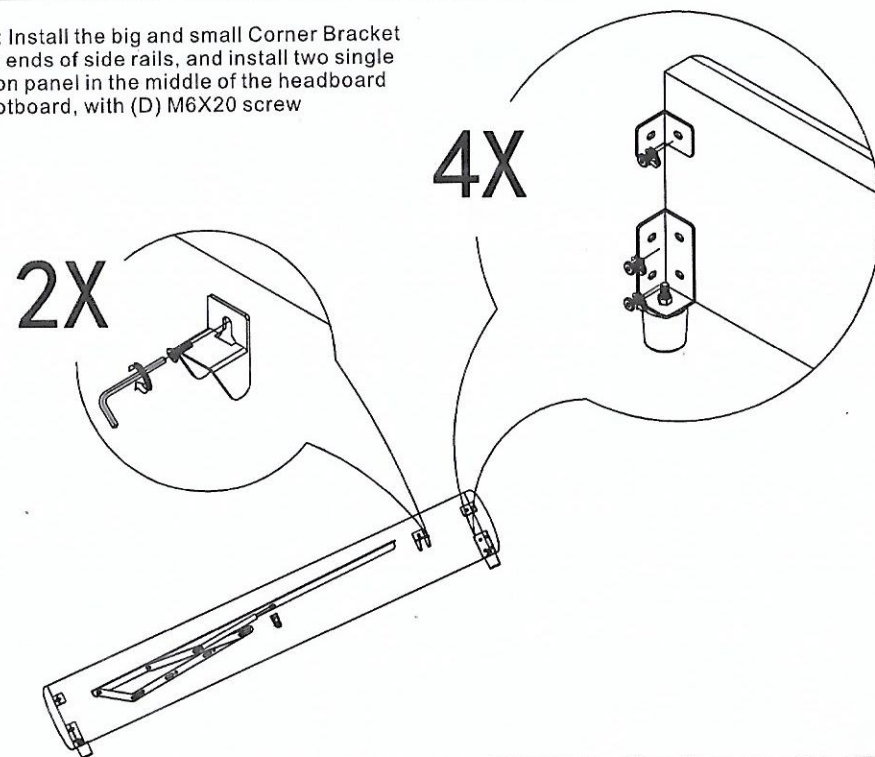


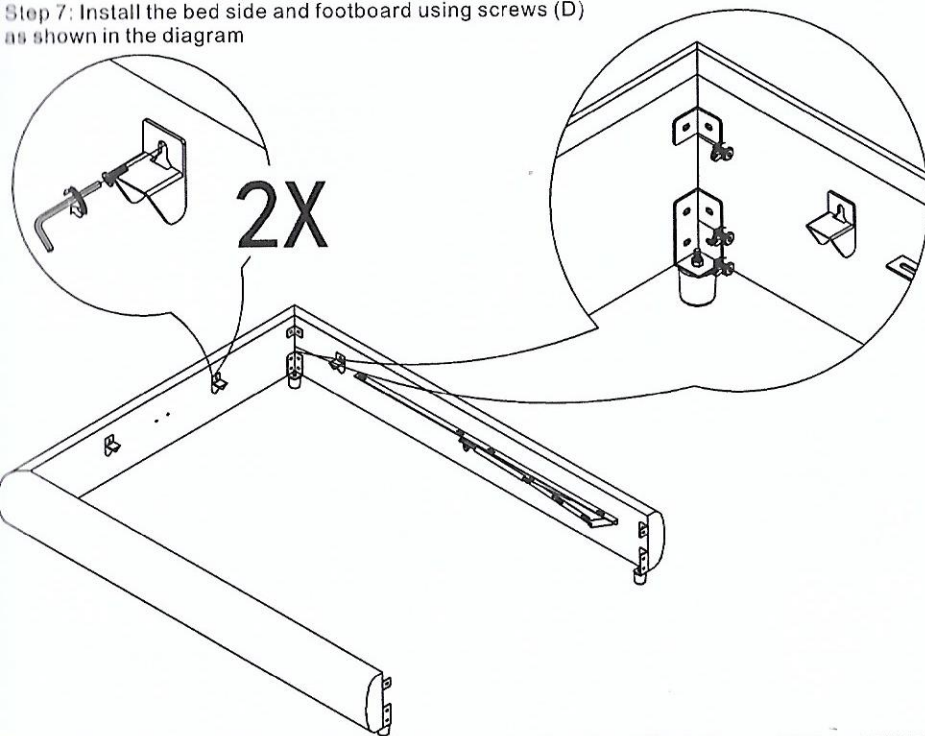
Step 5: Cut the tie of bed sides



Step 6: Install the big and small Corner Bracket at both ends of side rails, and install two single hole iron panel in the middle of the headboard and footboard, with (D) M6X20 screw



Step 7: Install the bed side and footboard using screws (D) as shown in the diagram



Step 8: Install the headboard with screws (D) and install the leg at the bottom of the headboard as shown in the diagram

