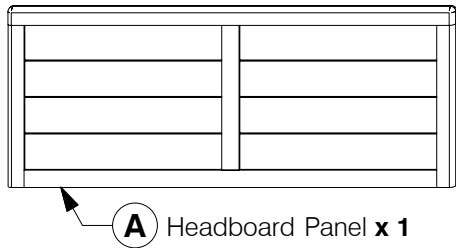


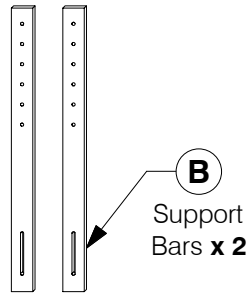
# Full / Queen Headboard

## Assembly Instructions

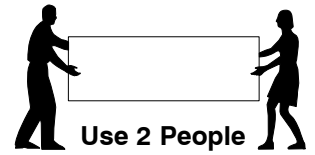
### 1 Parts List



**A** Headboard Panel x 1



**B** Support Bars x 2



### 2 Hardware List



**1** M6 x 35mm JCB x 4



**2** Spring Washer x 4



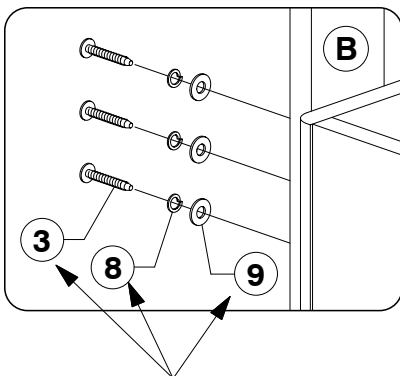
**3** Flat Washer x 4



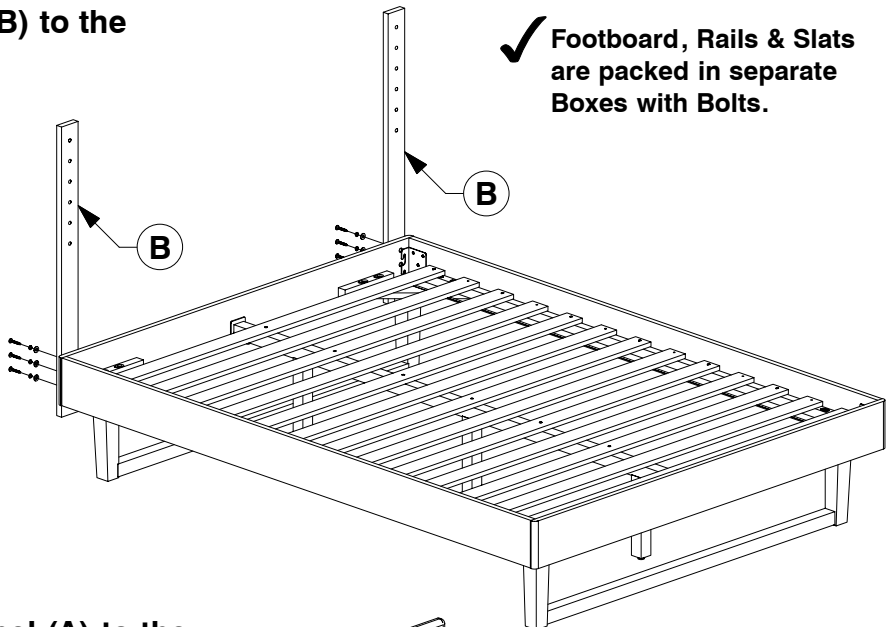
**4** Allen Key x 1

**Note:** Do not assemble using power tools. This can cause the bolts to be overtightened

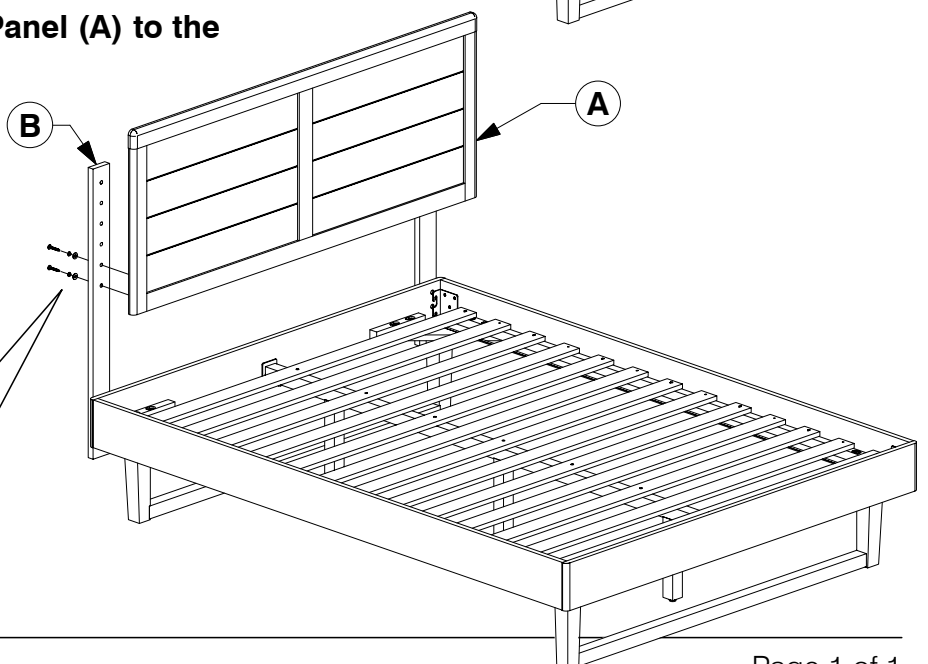
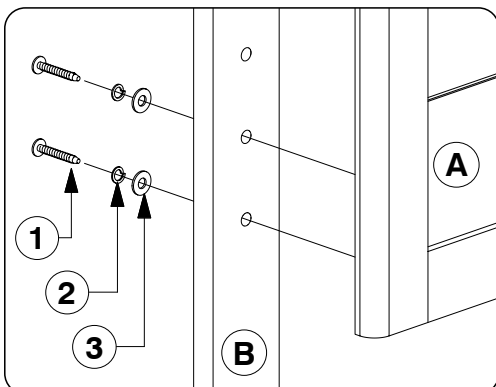
### 3 Assemble the Support Bars (B) to the Headboard Panel.



Note: Bolts & Washers from Footboard, Rails & Slats Box.



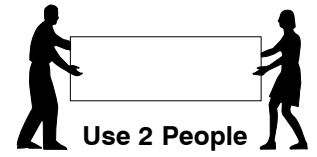
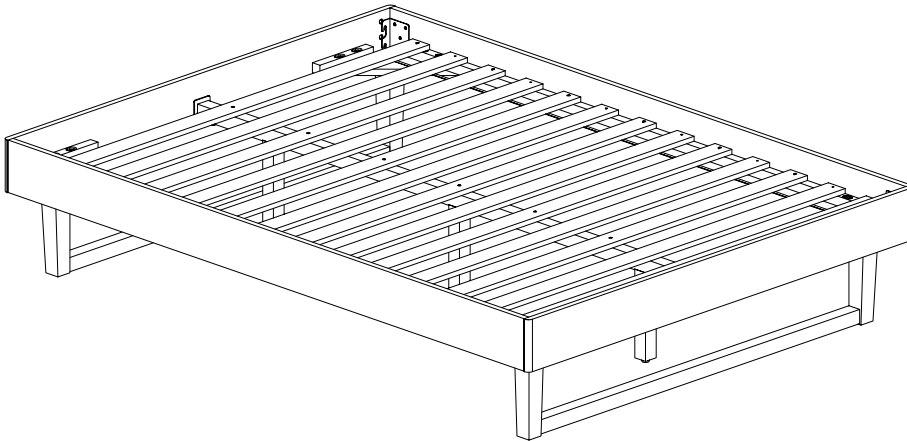
### 4 Assemble the Headboard Panel (A) to the Support Bars (B).



# Full Bed

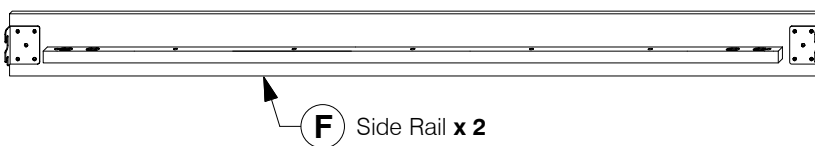
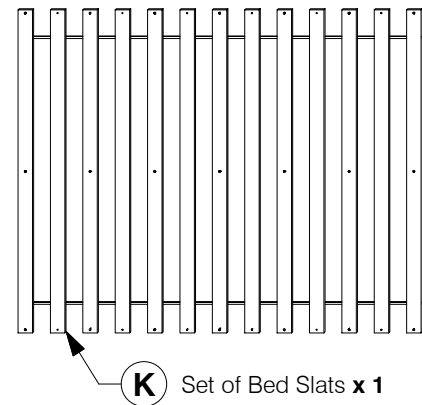
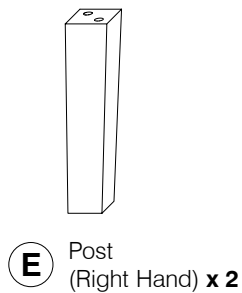
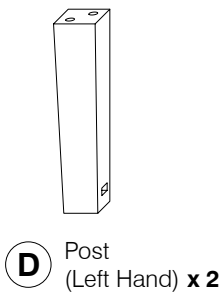
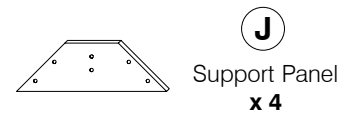
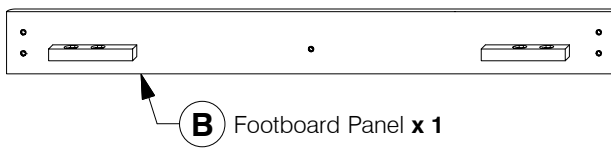
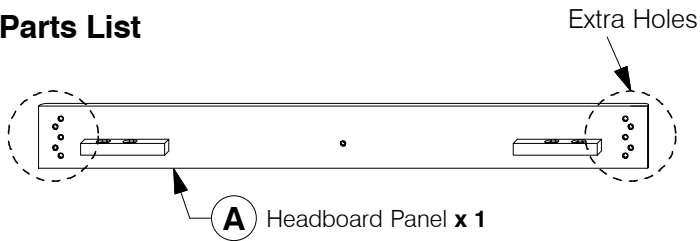
Assembly Instructions

## 1 Assembled View



**Note:** Do not assemble using power tools. This can cause the bolts to be overtightened

## 2 Parts List



# Full Bed

## Assembly Instructions

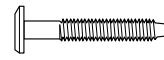
### 3 Hardware List



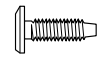
1 M6 x 100mm JCB  
x 3



2 M6 x 50mm JCB  
x 16



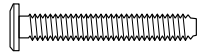
3 M6 x 40mm JCB  
x 24



4 M6 x 20mm JCB  
x 8



5 M6 x 15mm JCB  
x 4



6 M8 x 50mm JCB  
x 8



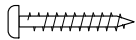
7 Barrel Nut  
x 3



8 Spring Washer  
x 30



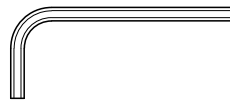
9 Flat Washer  
x 30



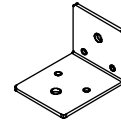
10 Wood Screw  
(M4 x 32mm) x 16



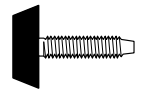
11 M4 Allen Key  
x 1



12 M5 Allen Key  
x 1

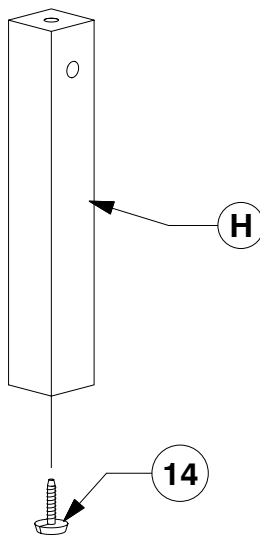


13 Center Rail  
Bracket x 2

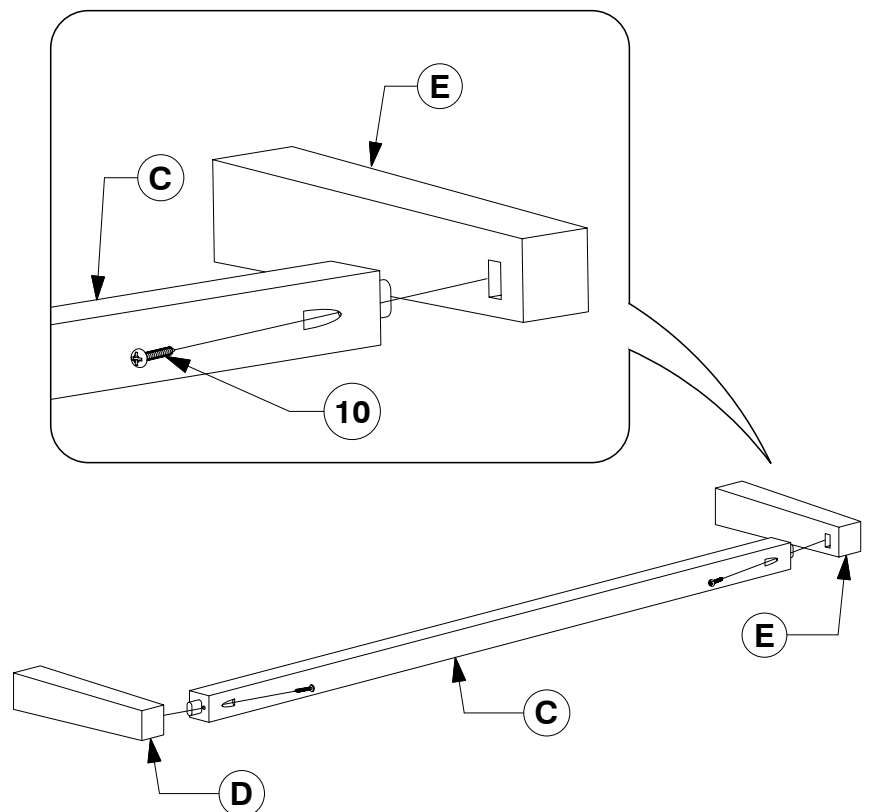


14 Adjustable  
Foot x 3

4 Fix the Adjustable foot to the bottom of the Support Leg (H).



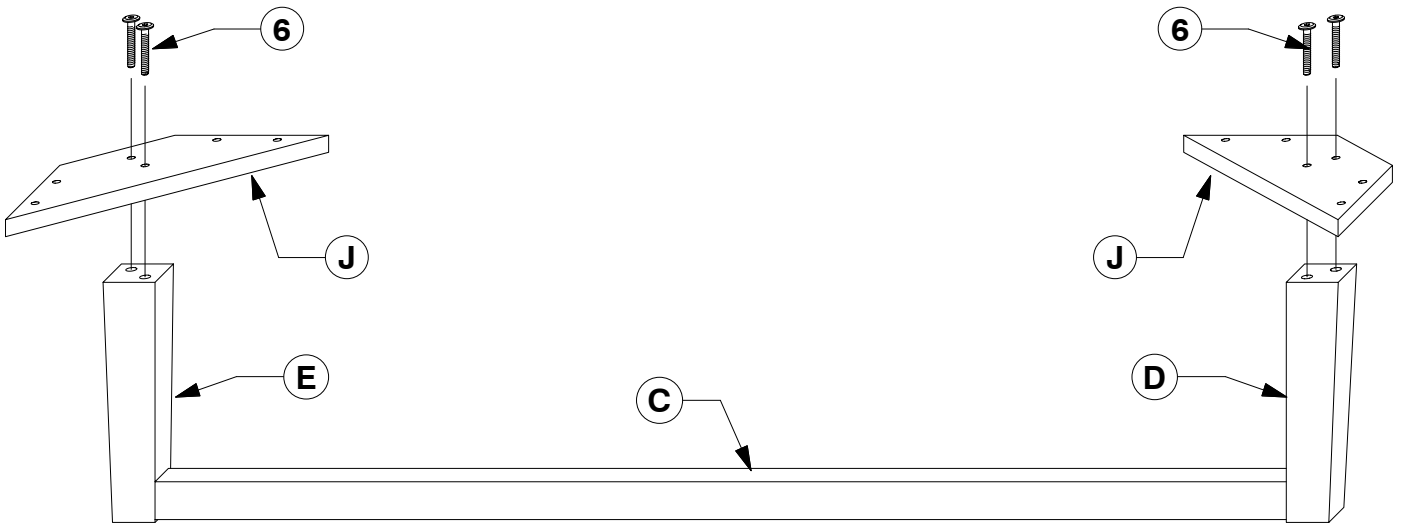
5 Fit the Lower Rail (C) to the Post (D & E).



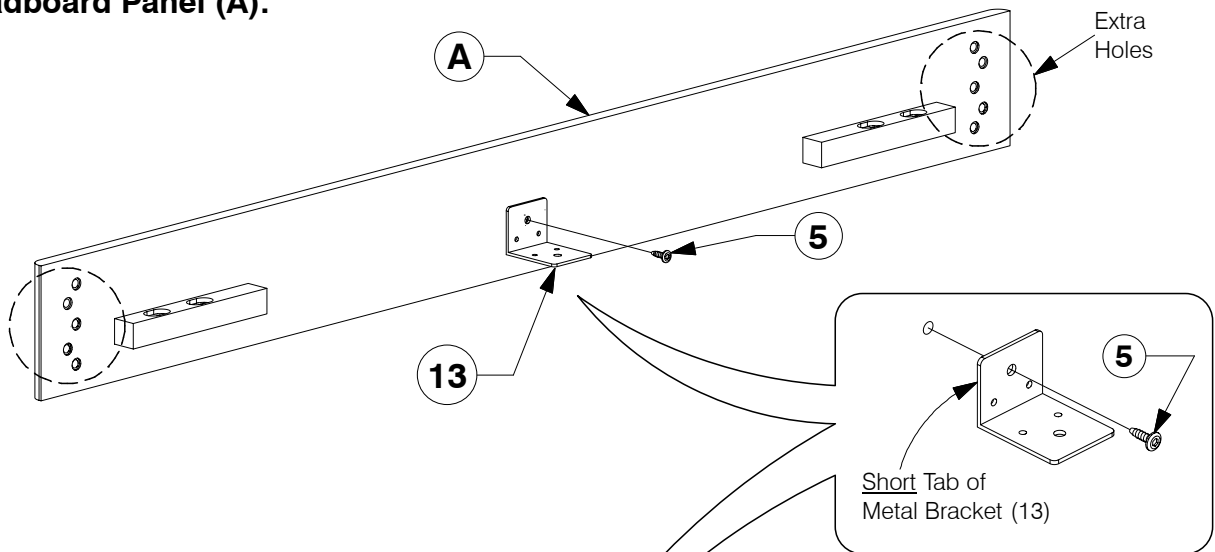
# Full Bed

## Assembly Instructions

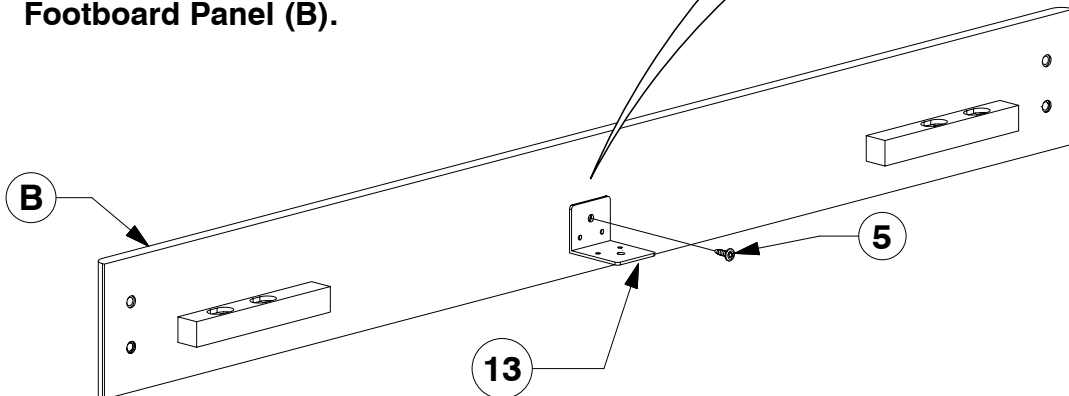
- 6** Assemble the assembled Post (D & E) & Lower Rail (C) to the Support Panel (J).



- 7** Fit the Center Rail Bracket to the Headboard Panel (A).



- 8** Fit the Center Rail Bracket to the Footboard Panel (B).

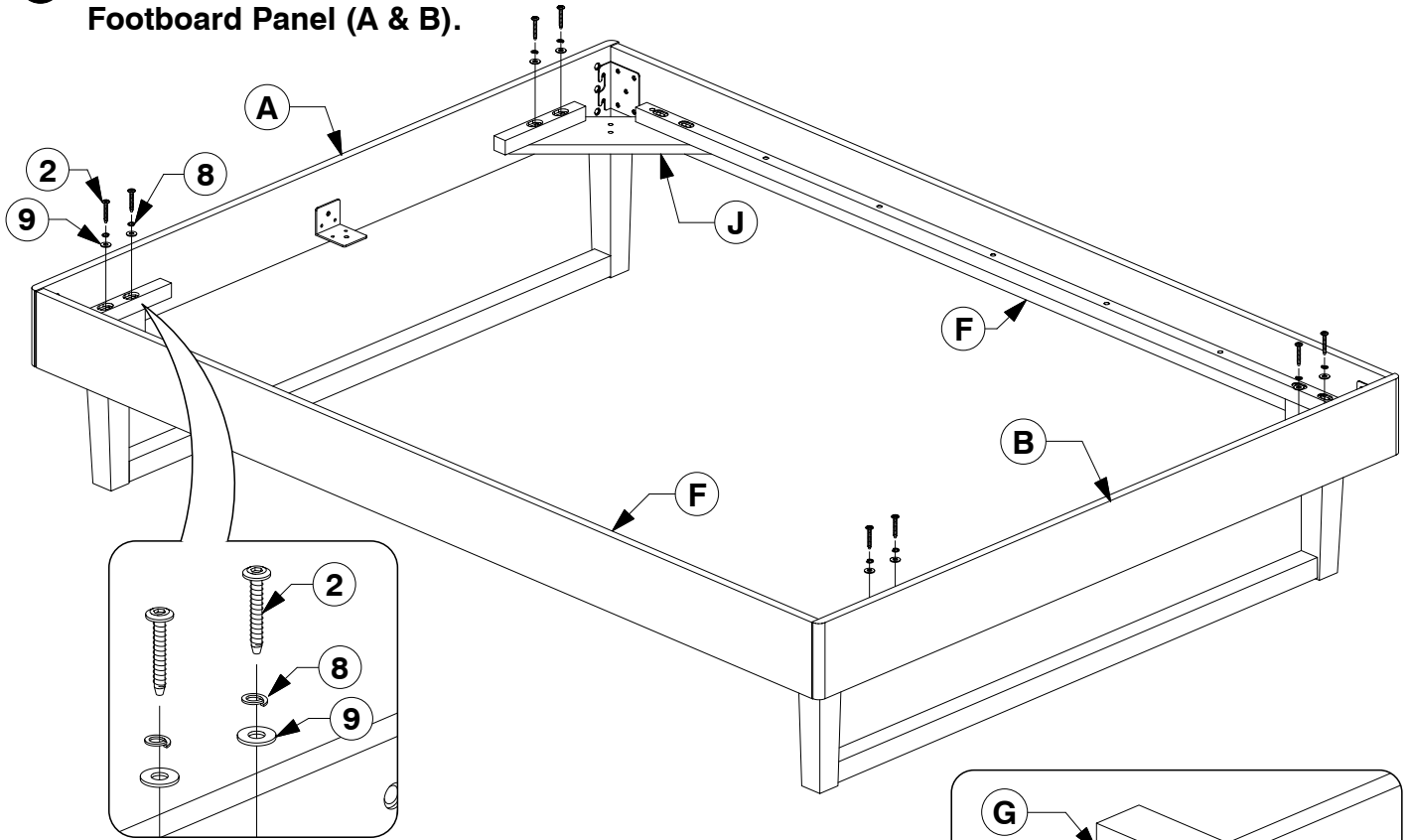




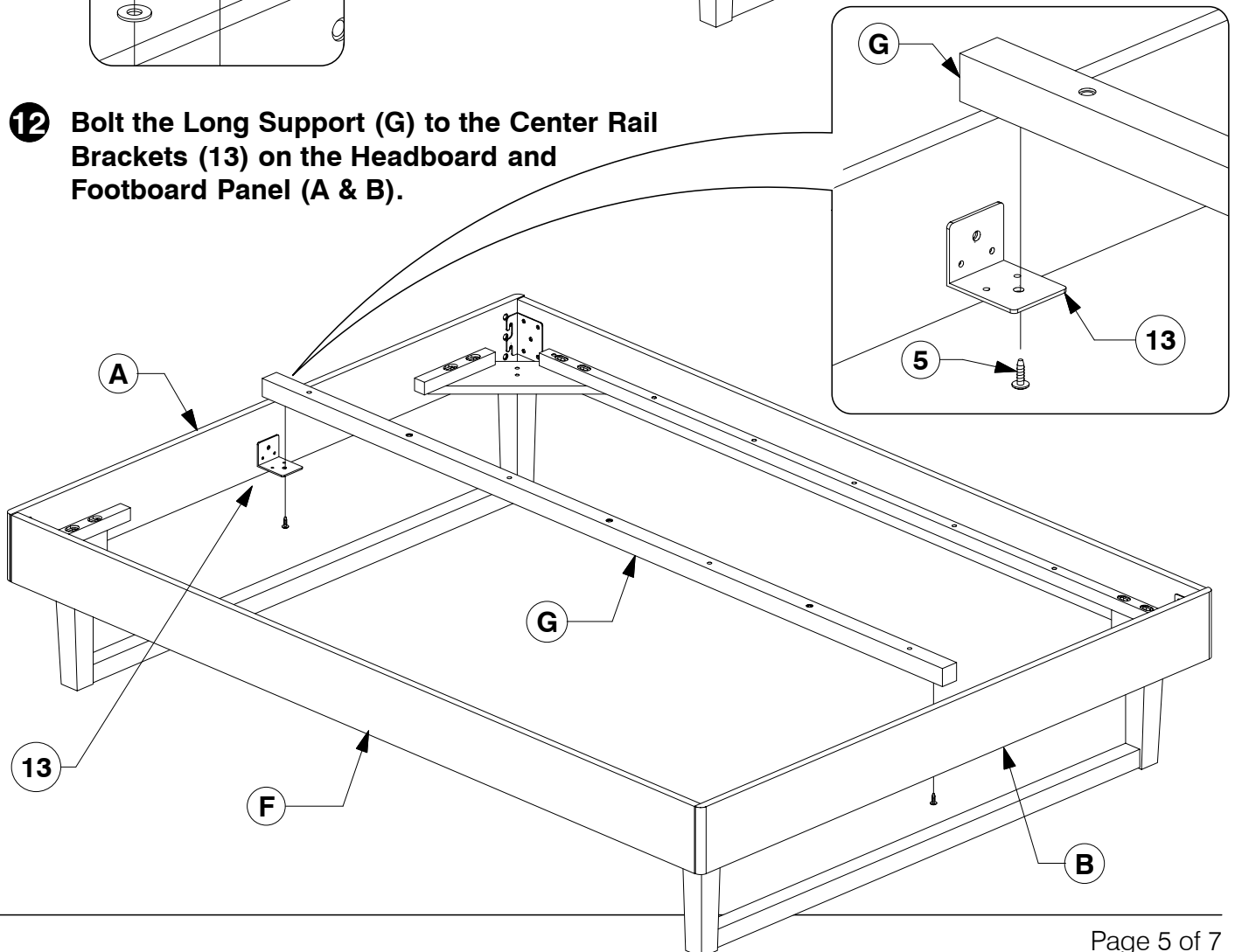
# Full Bed

## Assembly Instructions

- 11** Bolt the Support Panel (J) to the Headboard and Footboard Panel (A & B).



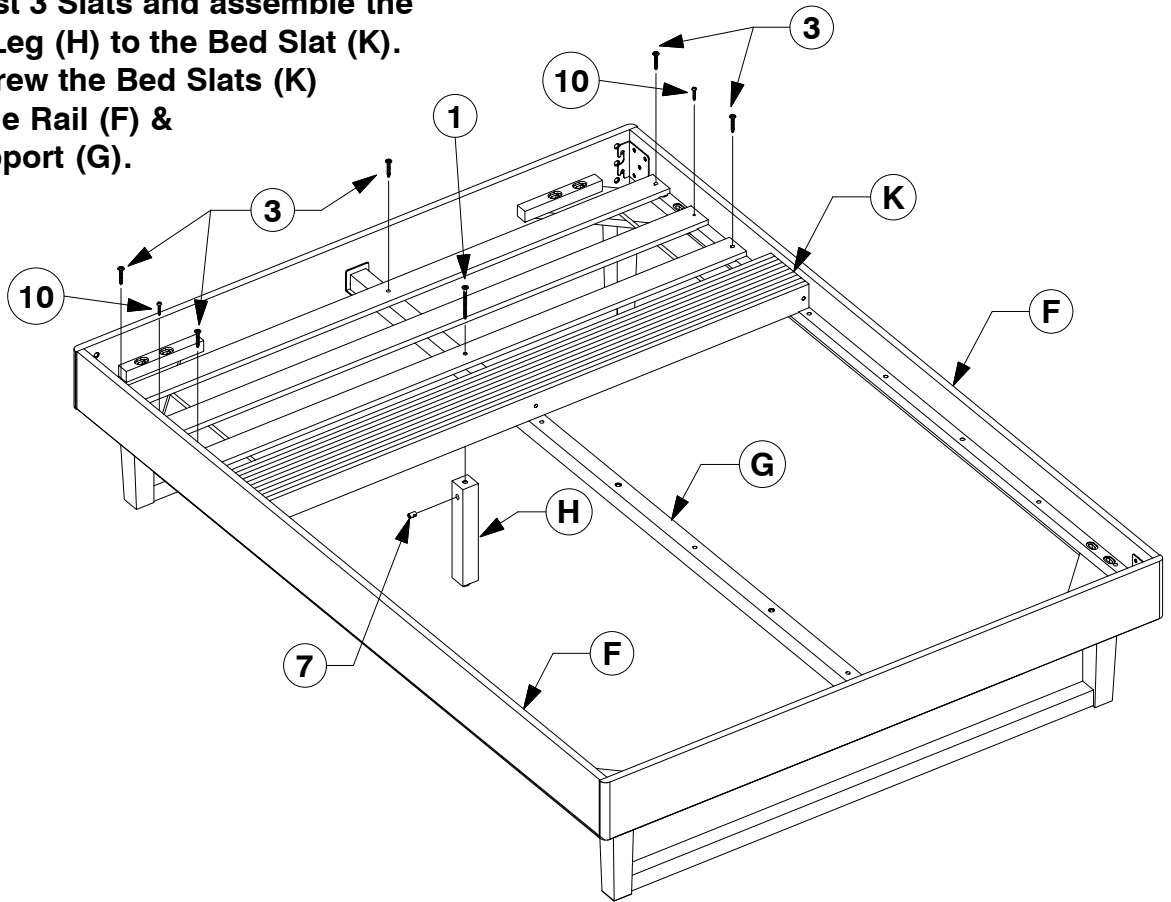
- 12** Bolt the Long Support (G) to the Center Rail Brackets (13) on the Headboard and Footboard Panel (A & B).



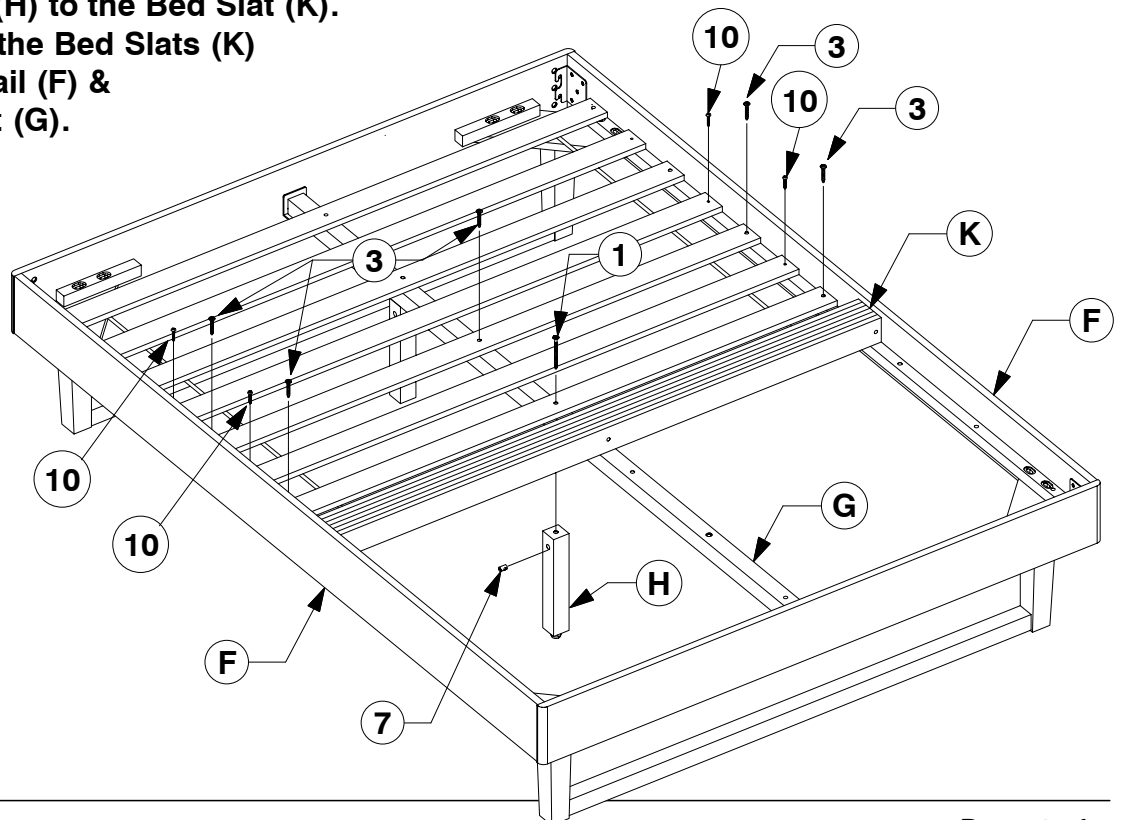
# Full Bed

## Assembly Instructions

- 13** Fit the first 3 Slats and assemble the Support Leg (H) to the Bed Slat (K). Bolt & screw the Bed Slats (K) to the Side Rail (F) & Long Support (G).



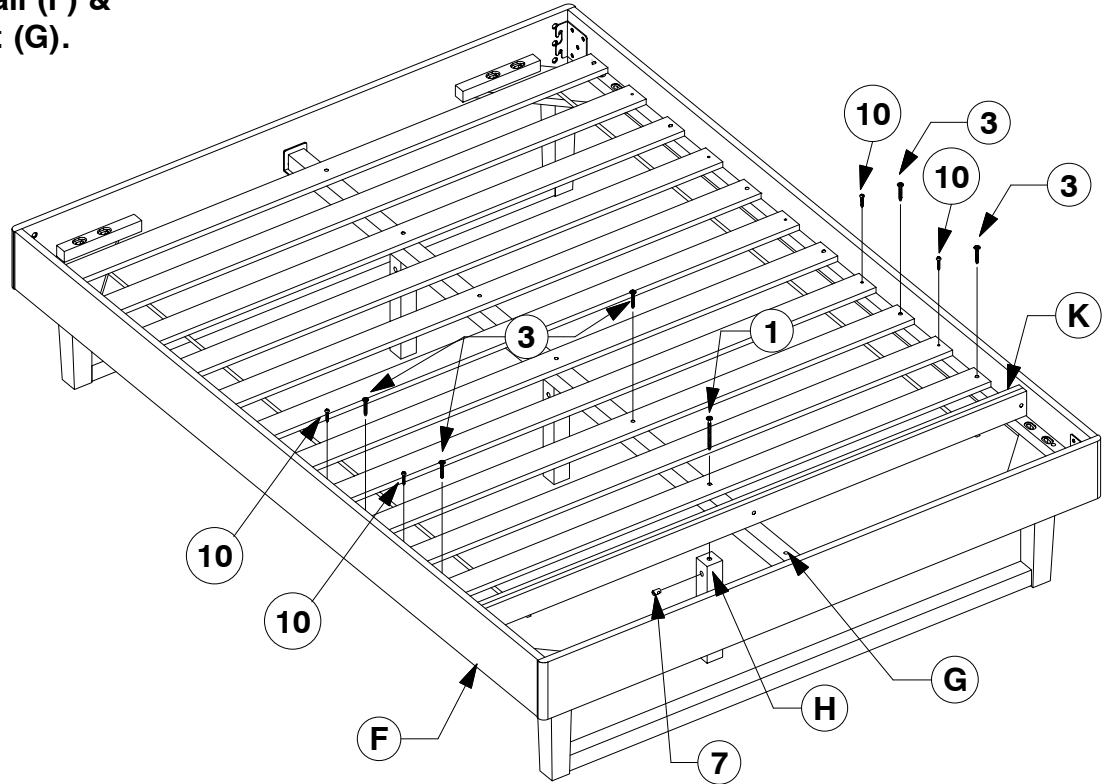
- 14** Fit the other Slats out and assemble the Support Leg (H) to the Bed Slat (K). Bolt & screw the Bed Slats (K) to the Side Rail (F) & Long Support (G).



# Full Bed

## Assembly Instructions

- 15** Fit the other Slats out and assemble the Support Leg (H) to the Bed Slat (K). Bolt & screw the Bed Slats (K) to the Side Rail (F) & Long Support (G).



- 16** Bolt & screw the remaining Bed Slats (K) to the Side Rail (F).

