



10 : 00

estimated assembly



2 or more

people required

Ok, let's
get started!



- Put on mood music!
- To prevent damage to product, use the clean side of package carton or rug as working surface.
- In the event of missing or damaged parts, delivery problems etc., please reach out to our team. We will be happy to fix the problem!

care guide

- Clean regularly with a soft and dry cloth.
- To protect finish, avoid use of abrasive cleaners.
- Wipe up spills immediately. Please!



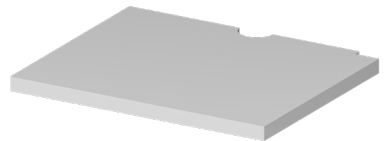
product parts



(A)
Sideboard
x1



(B)
Shelf
x1



(C)
Shelf
x1

assembly instructions

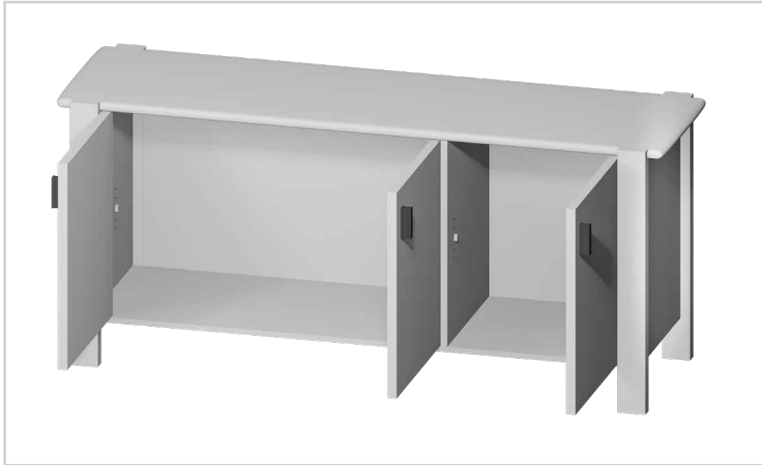
Friendly Tip: Take a deep breath going in. This may be a tricky part, but nothing too overwhelming. Just follow these steps to the T and the outcome will be worth it!



- ⓘ While assembling the product, tighten the bolts up to 50%. Once all parts are in place, only then fully tighten the bolts.

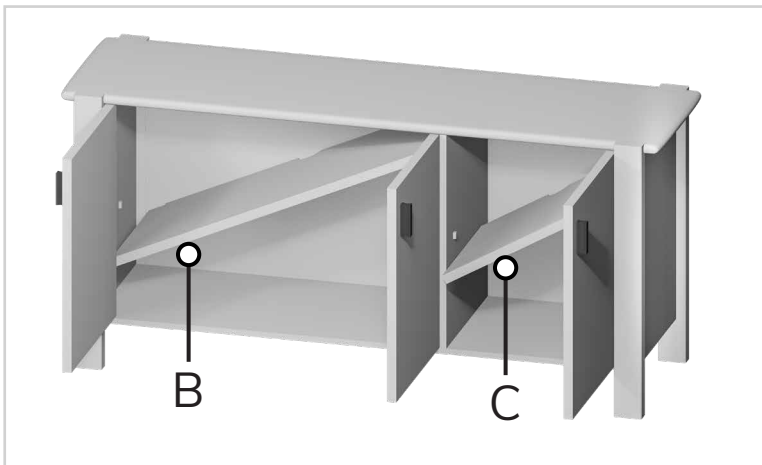
step 1:

Open the doors of the sideboard in order to place the shelves.



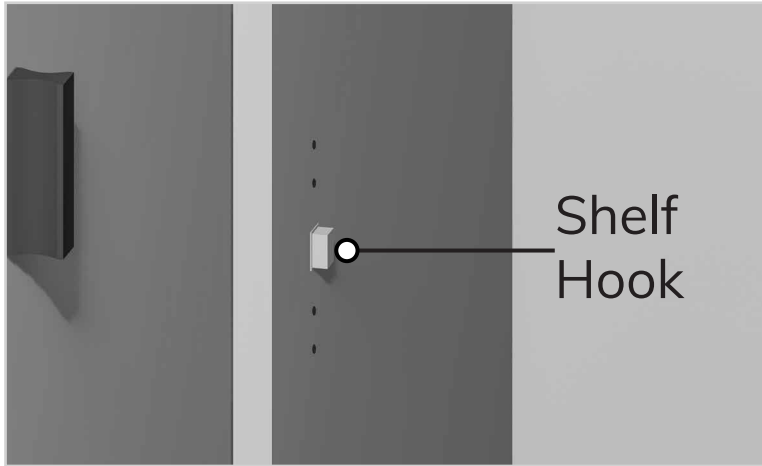
step 2:

Now, align and place both shelves (B & C) inside the sideboard as shown in the image below.



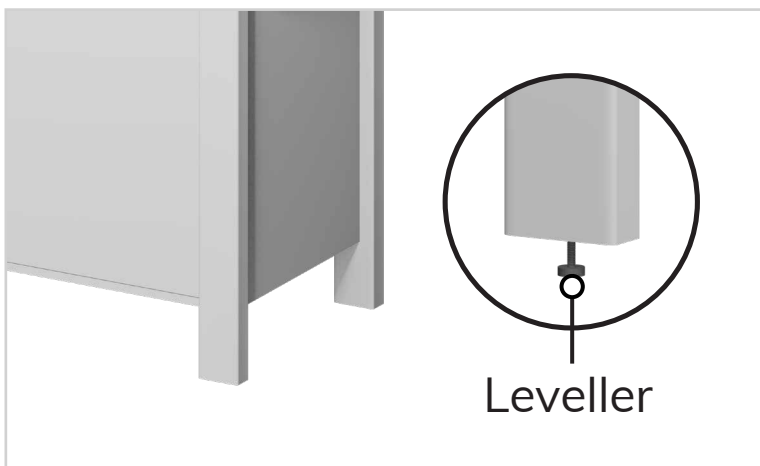
step 3:

To adjust the height of the shelves, remove the shelf hook and place it as per your requirement.



step 4:

If required, adjust the levellers according to the floor as shown in the image.



Voila! Your sideboard is now assembled and secure!