

# BRIZO®

## ON-WALL HAND SHOWER

- Kintsu® Bath Collection
- 4-Function Hand Shower

### FEATURES:

- Touch-Clean® Spray Holes

### STANDARD SPECIFICATIONS:

- Max flow rate 1.75 gpm @ 80 psi, 6.6 L/min @ 550 kPa
- Wall mount bracket includes integrated elbow for hose connection
- Certified dual check valves for backflow prevention
- 60-82" (1524 mm-2083 mm) stretchable finished metal hose
- Integrated elbow has standard 1/2"-14 NPT supply fitting
- ADA compliant hand shower and hose when installed per accessibility guidelines of act
- 4 Spray settings: Full Spray, Shampoo Spray, Full Spray with Shampoo Spray & Pause. Pause is a non-positive shut-off.

### WARRANTY

- Parts and Finish – Lifetime limited warranty; or for commercial purchasers, 10 years for multi-family residential (apartments and condominiums) and 5 years for all other commercial uses, in each case from the date the product is received by the original purchaser or their authorized representative (installation contractor, etc.).
- Please go to [www.brizo.com](http://www.brizo.com) for the complete details of our limited warranty.

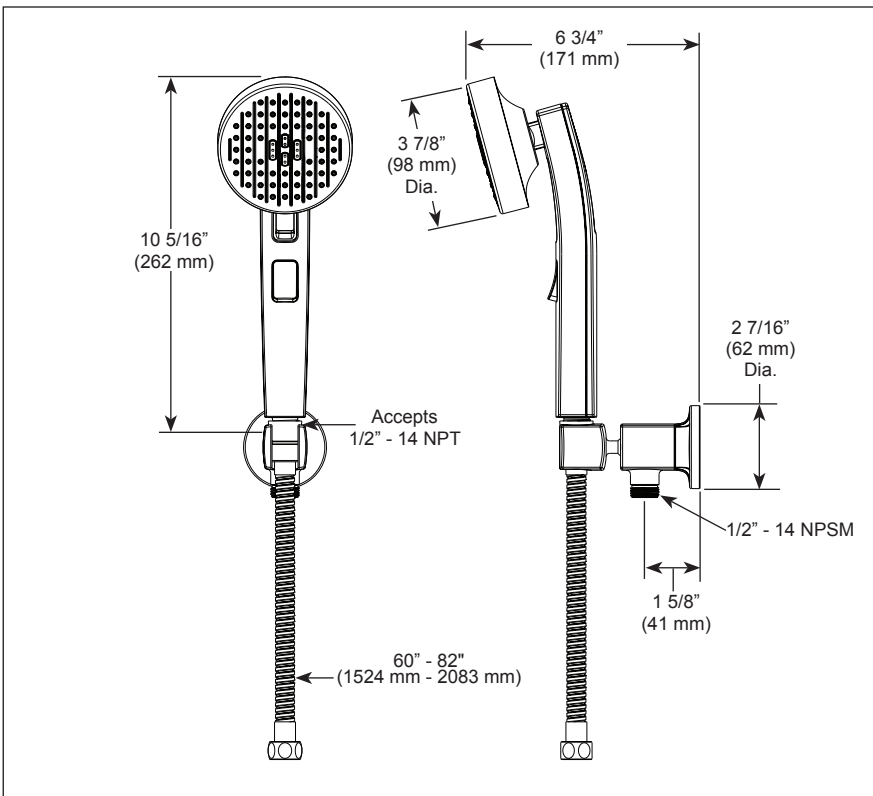
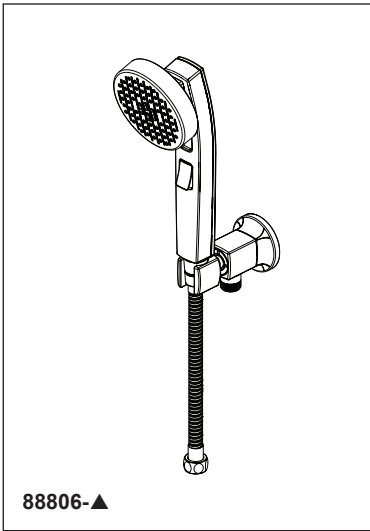


### COMPLIES WITH:

- ASME A112.18.1 / CSA B125.1♦
- EPA WaterSense®

♿ ICC/ANSI A117.1

- ♦ Your Brizo hand shower incorporates a backflow protection system that has been tested to be in compliance with ASME A112.18.3 and ASME A112.18.1/CSA B125.1. It incorporates two certified check valves in series, which operate independently and are integral, non-serviceable parts of the wand assembly.



▲ Designate proper finish suffix