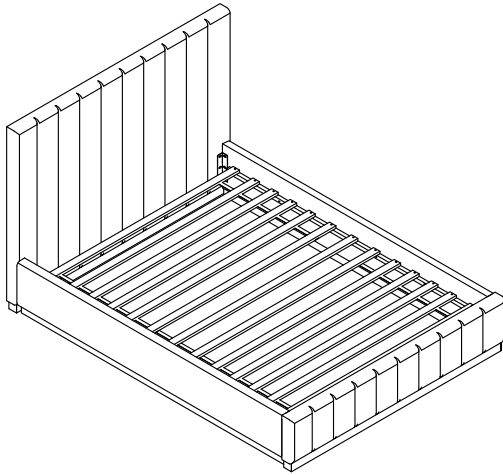


# ASSEMBLY INSTRUCTION

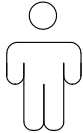
## Bed- T



**+ Do Not Use Power Tools**



**+Suggested Adults**



**NOTE:**

- 1 Read instructions cover to cover.
- 2 Save all packaging until assembly is completed.

**1 IMPORTANT SAFETY INFORMATION**

**Do not** assemble the product if any of the following parts arrived damaged:

- Part#1 -Headboard
- Part#2 -Footboard
- Part#3 -Wood strip for Side rail
- Part#4 -Slats
- Part#5 -Side rail

**Do not** assemble if any of the following Hardware parts are missing:

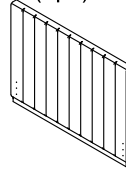
- Part#B,E, -Bolt Part#D, -Lock washer
- Part#A, -Allen Key Part#G -Metal bracket
- Part#C,H -Flat washer Part#F -screw

**2 IMPORTANT SAFETY INFORMATION**

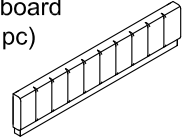
**Assembly Step** if loosening persists, please make sure to tighten all the bolts periodically, or use a thread locker adhesive.

**+Parts Included**

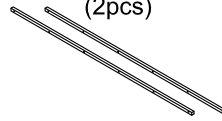
① Headboard (1pc)



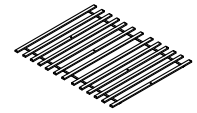
② Footboard (1pc)



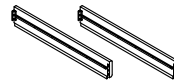
③ Wood strip for Side rail (2pcs)



④ Slats (13pcs)



⑤ Side rail (2pcs)

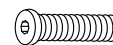


**+Hardware Included**

A Ø5/16" (1pc)



B Ø5/16"×1" (24pcs)



C Ø5/16" (24pcs)



D Ø5/16" (36pcs)



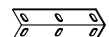
E Ø1/4" \*2 3/8" (12pcs)



F #8\*30mm (26pcs)



G Metal bracket (4pcs)



H Ø1/4" (12pcs)

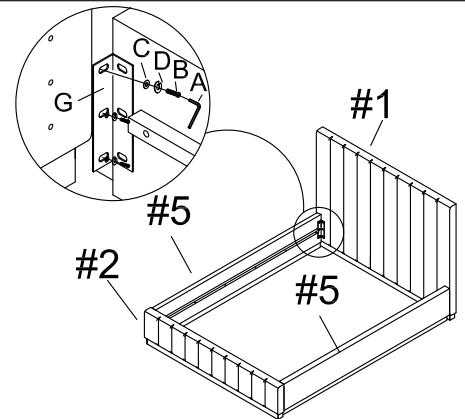


# ASSEMBLY INSTRUCTION

## Bed- T

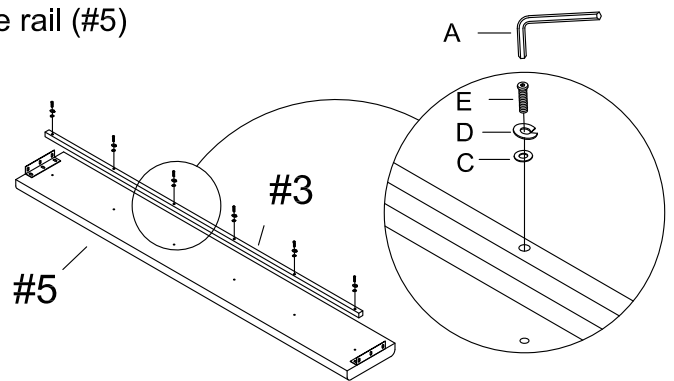
1

Step 1. Attach Metal Bracket (G) to side rail (#5), Headboard (#1) and Footboard (#2) with Bolt (B), Lock washer (D) and Flat washer (C) .Tighten with Allen Key (A).



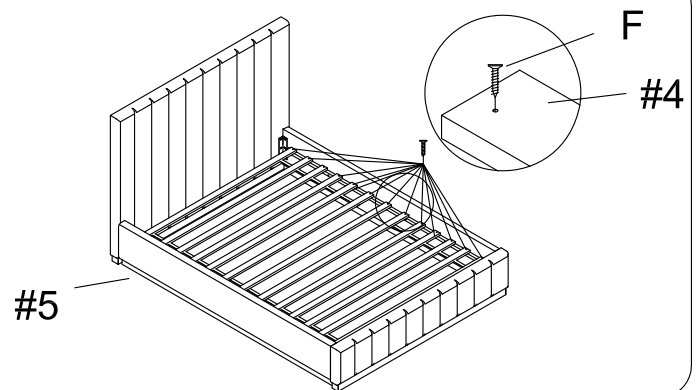
2

Step 2. Attach Wood strip for Side rail (#3) to side rail (#5) with Bolt (B), Lock washer (D) and Flat washer (C) .Tighten with Allen Key (A).



3

Step 2. Attach Slats (#4) to Side rail (#5) with Allen Screw (F).



4

Assembly Complete.

