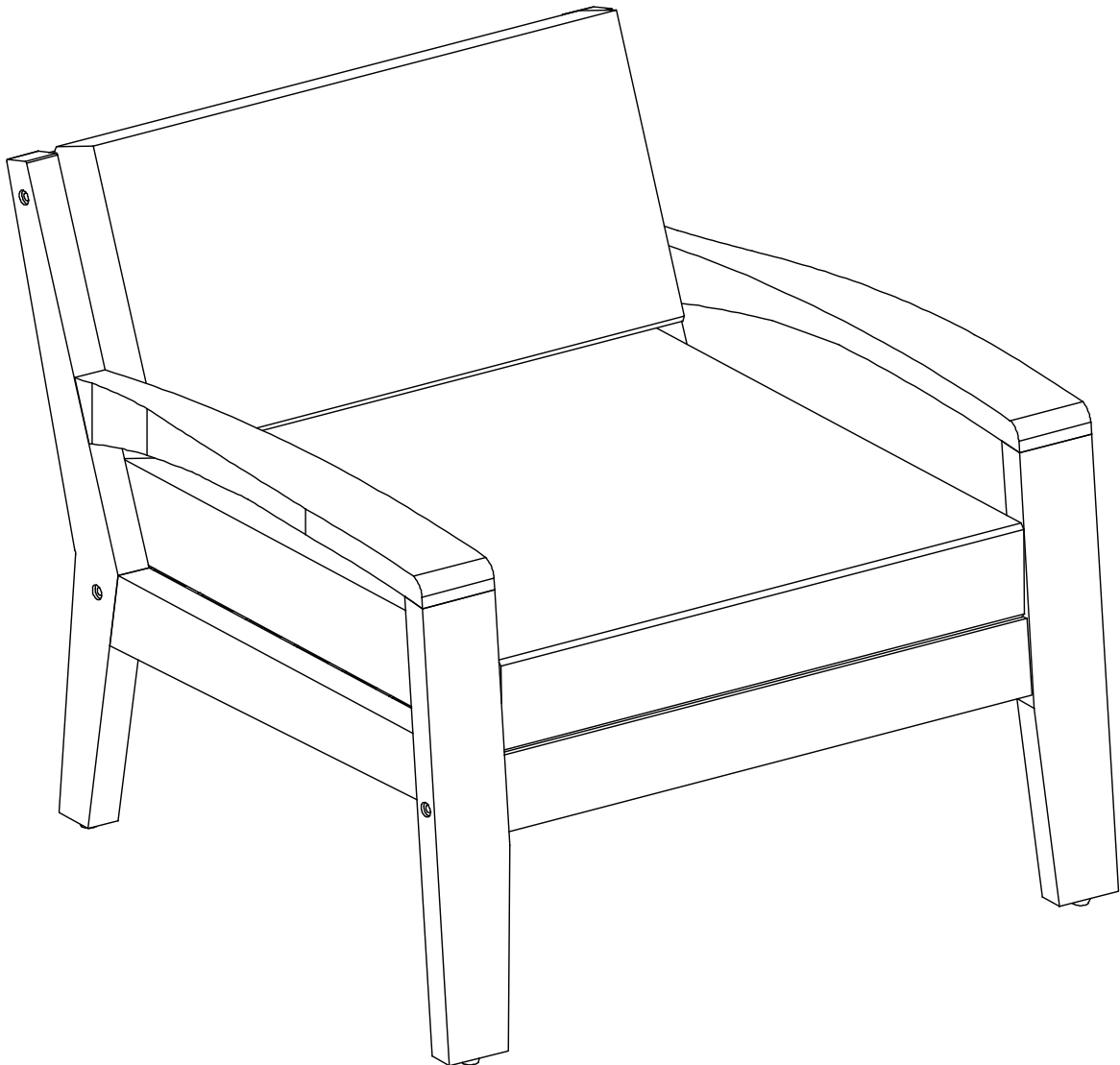


Assembly Instructions

CAUTION: You must read this before you proceed.

Please look in the Left Arm Panel for hardware packs.

ARMCHAIR

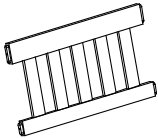


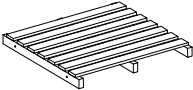
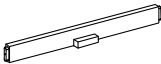

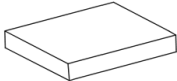
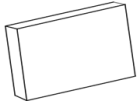


CAUTION : This Armchair is NOT a TOY.



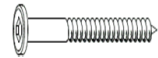

Keep your child / children at bay in the process of assembly.

For turning the Armchair and to prevent damage to the Armchair, 02 persons may be needed to execute this action.

Parts List

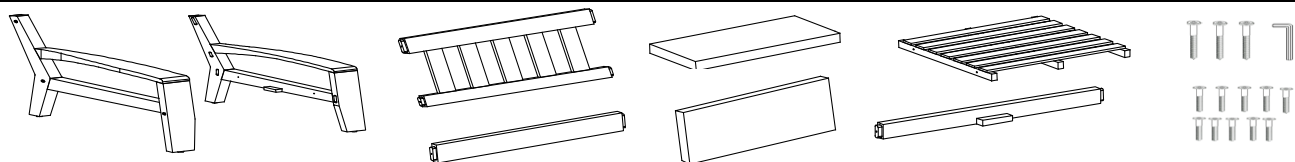
No.	Picture	Description	Qty
A		Backrest Panel	1
B		Left Arm Panel With Pre-installed Levellers	1
C		Right Arm Panel With Pre-installed Levellers	1
D		Seat Panel	1
E		Back Support Bar	1
F		Front Support Bar	1
G		Seat Cushion	1
H		Back Cushion	1






Hardware

No.	Picture	Description	Qty
①		Long Screws (M7x110mm)	3
②		Medium Screws (M7x70mm)	5
③		Short Screws (M6x35mm)	5
④		Allen Key	1

Assembly Preparation

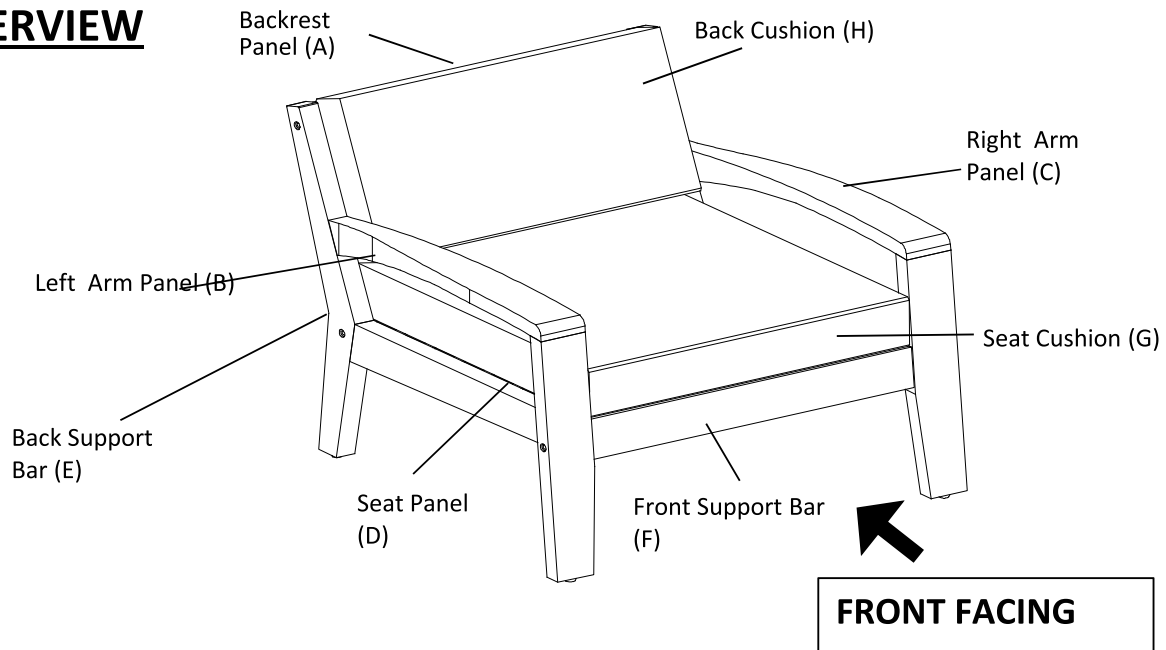
Before Beginning Assembly:



-  Read instructions, cover to cover.
-  Have 2 adults on hand for assembly.
-  Do not assemble on flooring or carpet.
-  Assemble on a clean non-marring surface (packing foam).
-  Save all packaging until finished.

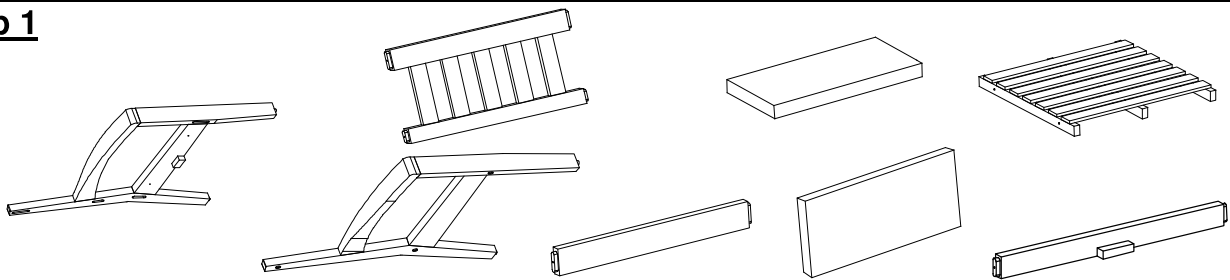
Assembly Steps

OVERVIEW



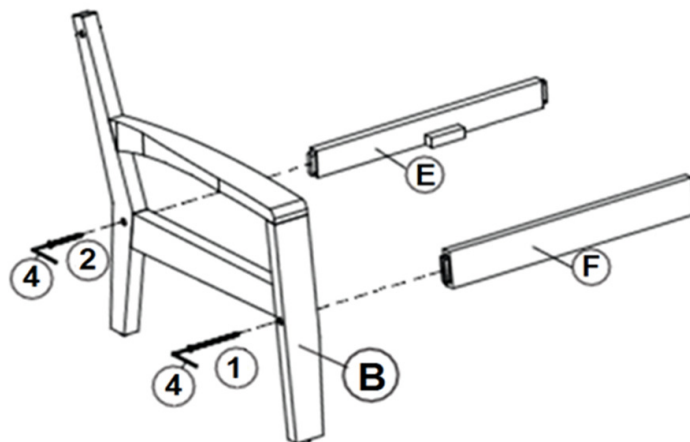
This Armchair has multiple parts and may require up to 30 minutes to assemble. To give you an overview of the Armchair parts, the above picture is to help you put the various parts into perspective. Please read through the instructions herebelow to familiarise the parts and steps before assembly.

Step 1



Unpack and place all parts on a clean, non-marring surface.

Step 2



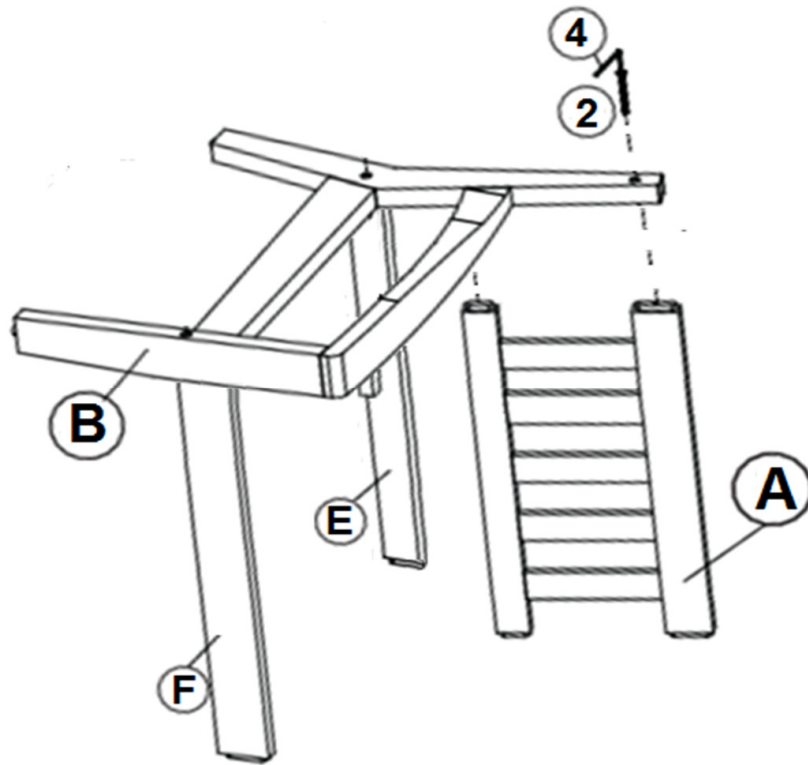
Place Left Arm Panel (B) stand up as shown in picture onto a clean, soft surface to avoid any scratches or damages to the product.

Align the tenon of Back Support Bar (E) and Front Support Bar (F) into the Mortise of the Left Arm Panel (B).

Then, affix Back Support Bar (E) and Front Support Bar (F) with Left Arm Panel (B) by using Long Screw (①), Medium Screw (②) and Allen Key (④).

DO NOT FULLY TIGHTEN SCREWS.

Step 3



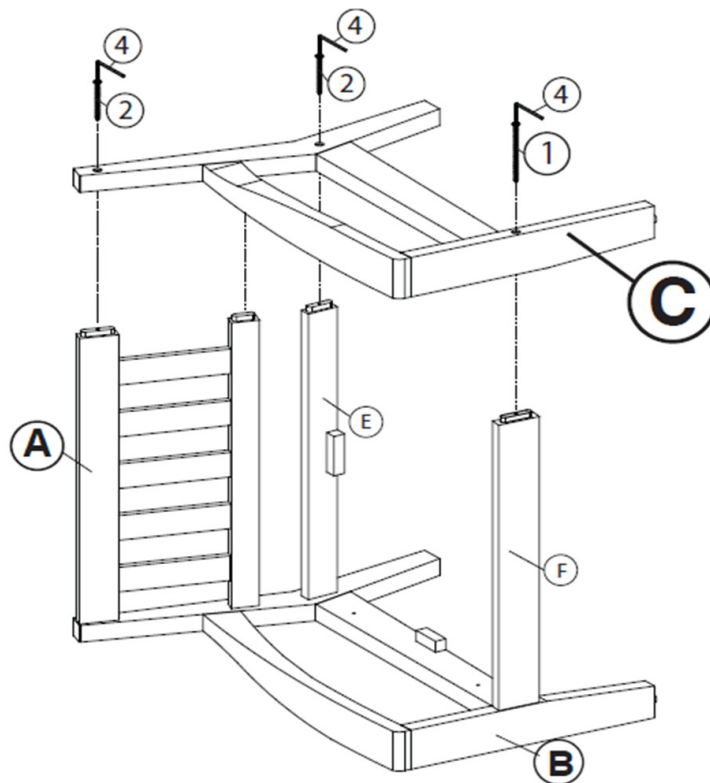
Then keep position Backrest Panel (A) as shown in picture above.

Align the tenon of Backrest Panel (A) into the Mortise of the Left Arm Panel (B).

Affix Left Arm Panel (B) with Backrest Panel (A) by using Medium Screw (2) and Allen Key (4).

DO NOT FULLY TIGHTEN SCREWS.

Step 4

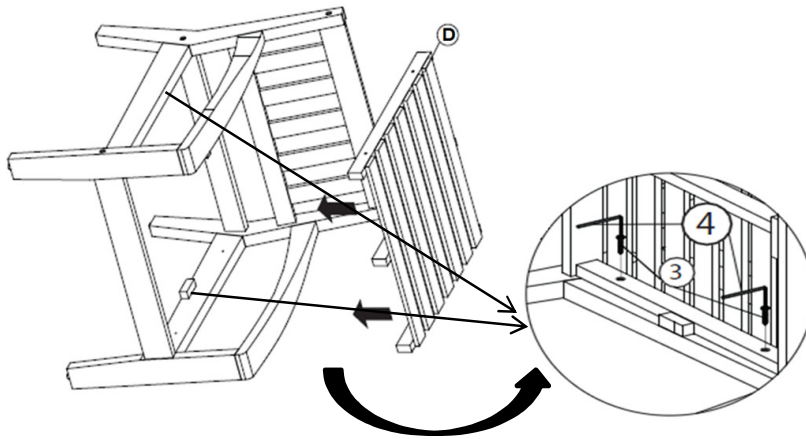


With the help from your partner, turn the Armchair to rest on Left Arm Panel (B) so that Right Arm Panel (C) is now facing skywards.

Repeat the same process at step 2, step 3 to affix the Arm Panel (C) with Long Screw (1), Medium Screws (2) to designated points.

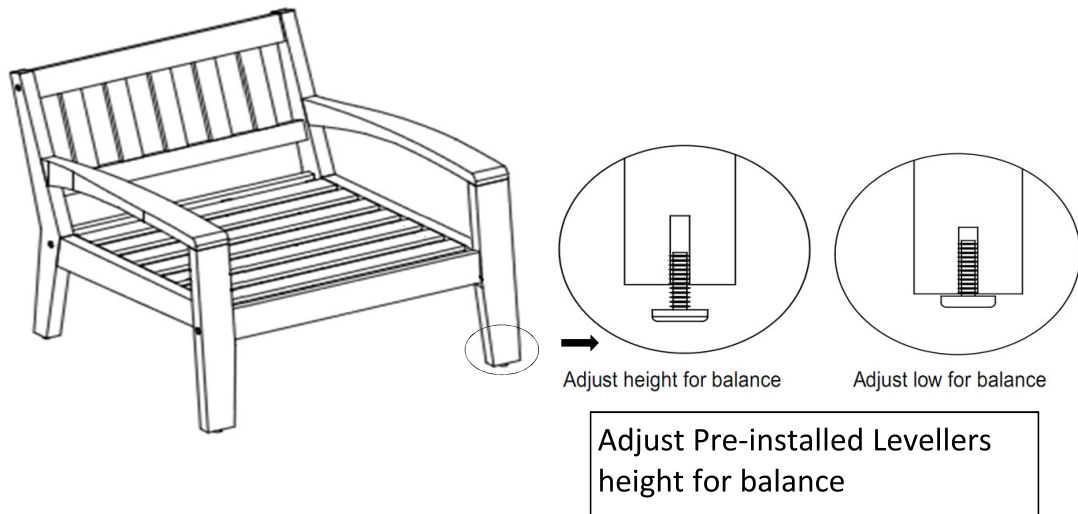
DO NOT FULLY TIGHTEN SCREWS

Step 5



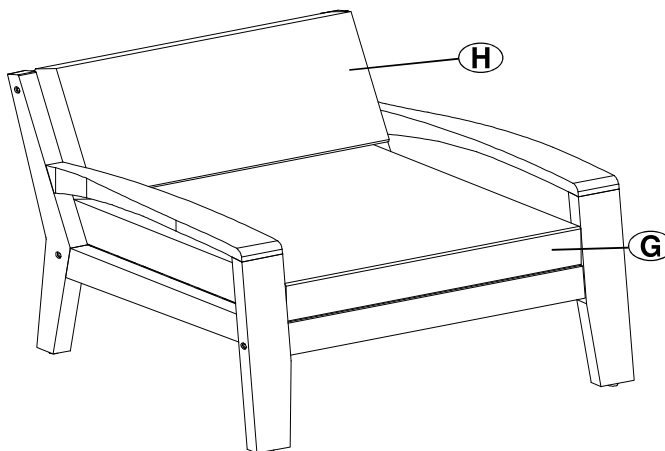
Attach the Seat Panel (D) onto the Armchair as shown in picture above.
Affix Seat Panel (D) with armchair by using Short Screws (③) and Allen Key (④).
Note: Using Short Screws (③) from inside to outside of Seat Panel (D)
DO NOT FULLY TIGHTEN SCREWS.

Step 6





















Inspect the Armchair and make sure all parts are adequately connected.
In a sequential manner, tighten all Screws at all joints.
With assistance from your adult partners, adjust the Levellers to desired height to avoid wobbles.

Step 7



Place Seat Cushion (G), Back Cushion (H) to Seat Panel (D).
Inspect it and make sure all parts are adequately connected.
Ensure all screws, bolts are fully locked into position and secured.
The Armchair is ready to be used.
Caution: This Armchair can only be used on a flat, level surface.

Care & Maintenance

-   ● Do not put hot items directly on furniture surface
 -   ● Do not clean furniture with harsh cleansers or polish.
 -   ● To obtain the longest life span of your outdoor products, minimizing exposure to direct sunlight is recommended.
 -   ● Children should not climb or jump on the furniture.
 -   ● Do not write on furniture without a padded barrier to protect the surface.
 -   ● To obtain the longest lifespan of your outdoor products, avoid extended and lengthy exposure to rain, snow, and direct sunshine. Whenever possible cover the product and /or place under patio or awnings.
 -   ● Not for commercial use. For residential use only .
 -   ● Stains may be removed with mild soap solution and damp cloth.
-
-   ● Dust and pick-up spills using a clean, non-colored, lint-free cloth .