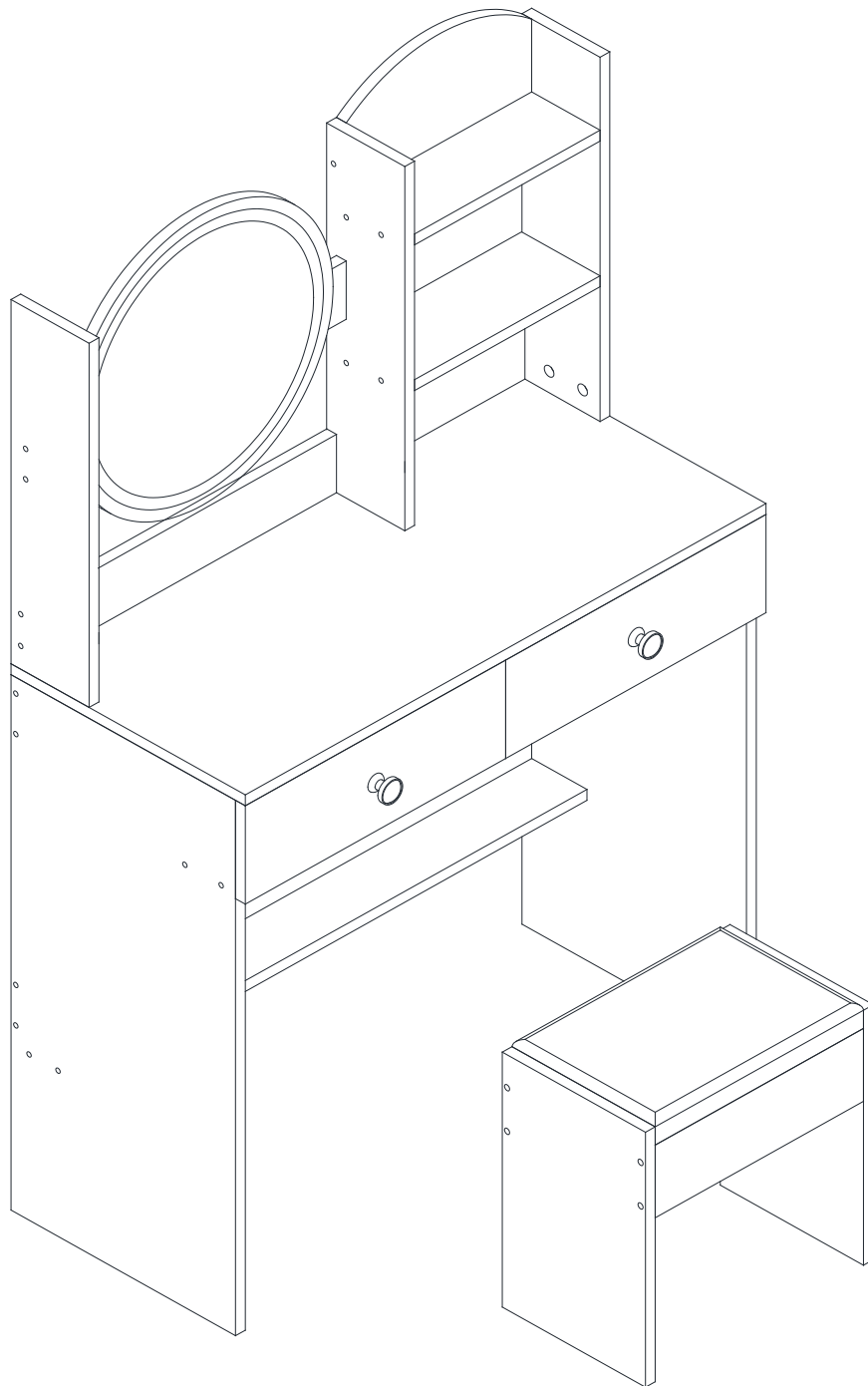


VANITY TABLE

INSTALLATION MANUAL



This is the unified installation manual for the SVV dressing table, suitable for three versions: simple, basic, and luxury.

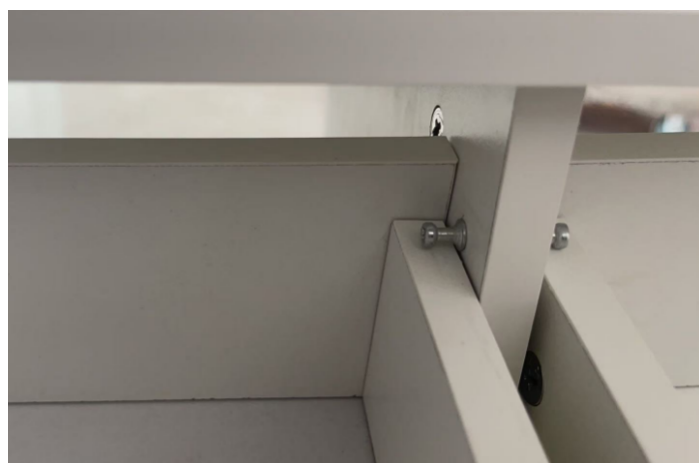
Simple version: There is no mirror light, built-in socket or hair dryer stand function. So there is no mirror light power plug, built-in socket or hairdryer bracket in the accessories.

Basic version: With mirror light function, without built-in socket or hair dryer stand function. Therefore, there is no built-in socket or hair dryer bracket in the accessories.

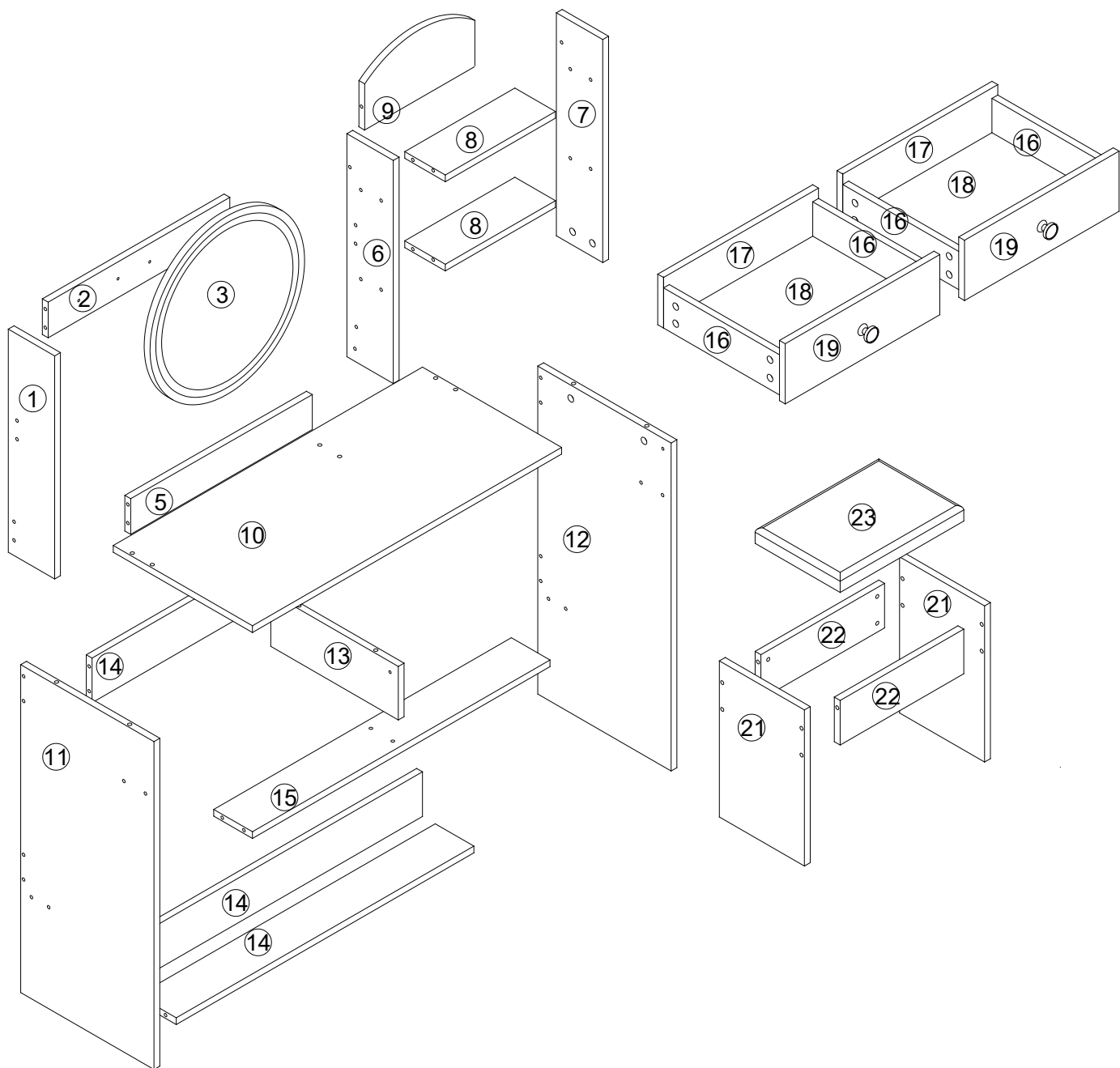
Luxury version: With mirror light, built-in socket, and hair dryer stand function.

Also note that:

1, Screw L is a drawer positioning pin that prevents the drawer from falling off when open. After installation, please confirm that all positioning screws L have been installed.

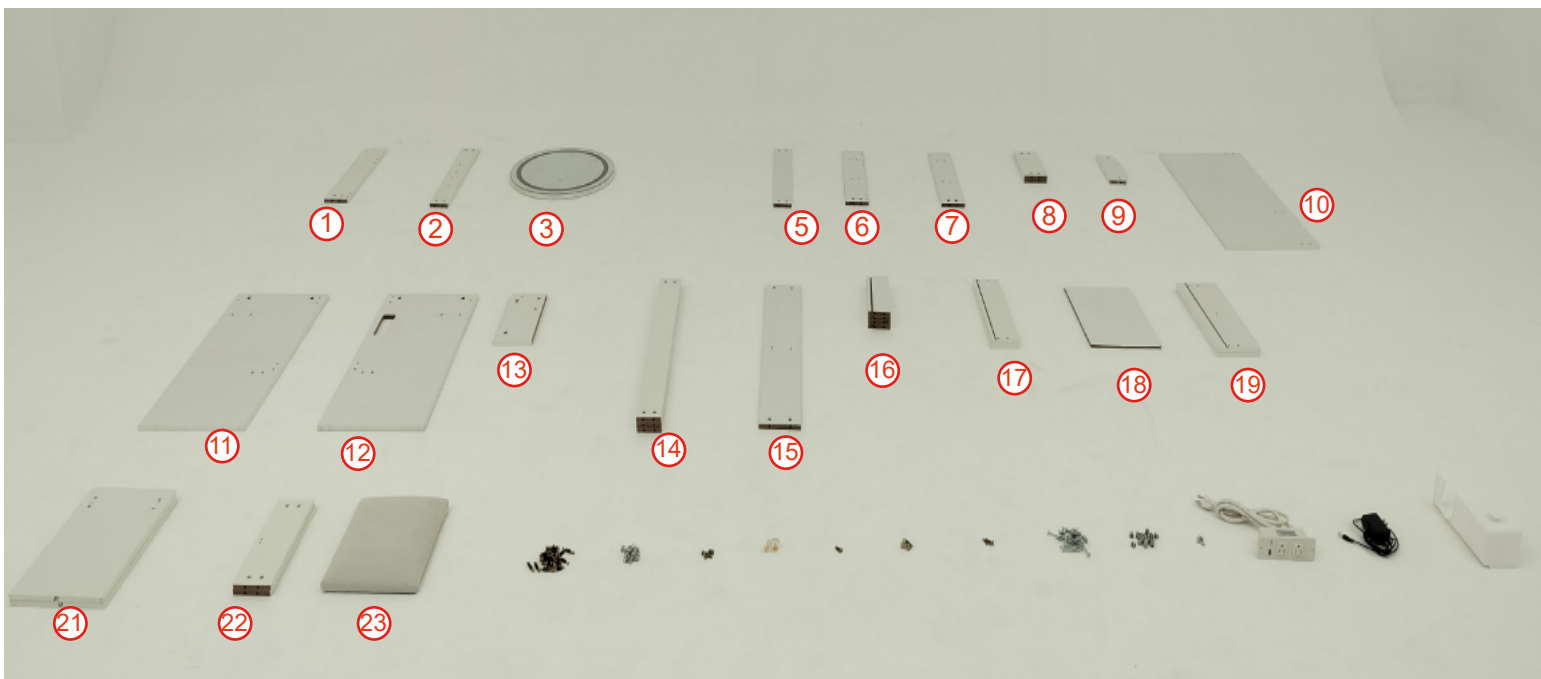


2, For luxury version, part 12 has rectangular hole for installing build-in socket, and part 3 has mirror light; For basic version, part 12 does not have rectangular hole for installing socket, but part 12 has mirror light; For simple version, part 12 does not have rectangular hole for installing build-in socket, part 31 does not have mirror light.



1 - x1	8 - x2	15 - x1	22 - x2
2 - x1	9 - x1	16 - x4	23 - x1
3 - x1	10 - x1	17 - x2	
	11 - x1	18 - x2	
5 - x1	12 - x1	19 - x2	
6 - x1	13 - x1		
7 - x1	14 - x3	21 - x2	

Before installation, please use an erasable marker to write the corresponding numbers on each board according to the numbers in the figure below, and arrange all boards according to the method shown in the figure.





1 -x1



2 -x1



3 -x1



5 -x1



6 -x1



7 -x1



8 -x1



9 -x1



10 -x1



11 -x1



12 -x1



13 -x1



14 -x3



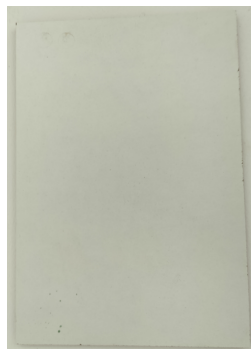
15 -x1



16 -x4



17 -x2



18 -x2



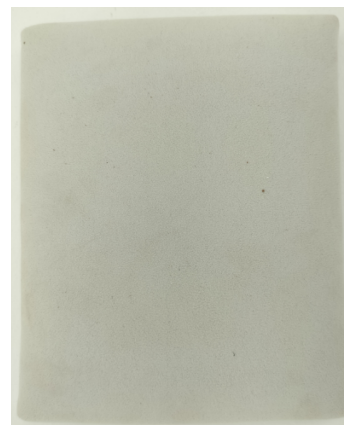
19 -x2



21 -x2



22 -x2



23 -x1

HARDWARE



A	SCREW & METAL LOCK	x28
---	--------------------	-----



B	SCREW & METAL LOCK	x28
---	--------------------	-----



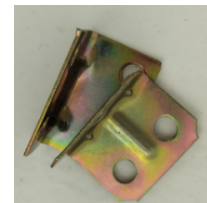
C	SCREW	x8
---	-------	----



D	HANDLE	x2
---	--------	----



E	SCREW	x2
---	-------	----



F	L PLATE	x2
---	---------	----



H	SCREW	x4
---	-------	----



J	SCREW	x44
---	-------	-----



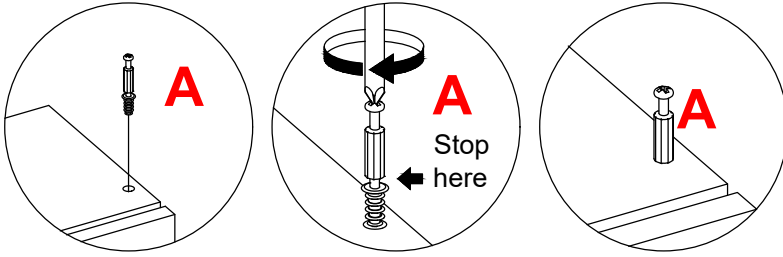
K	PLASTIC LOCK	x44
---	--------------	-----



L	SCREW	x4
---	-------	----

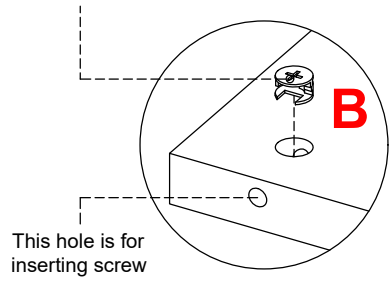
1. Screw installation method

When the screw is installed, please keep it in line with the board, and do not tighten it too tightly

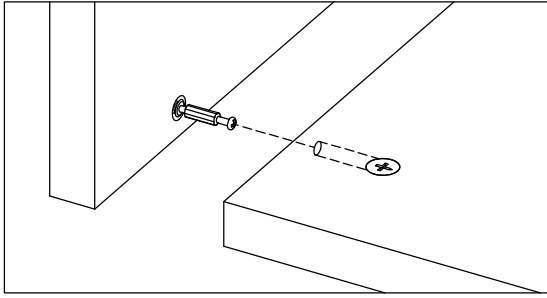


2. Check the Nut direction

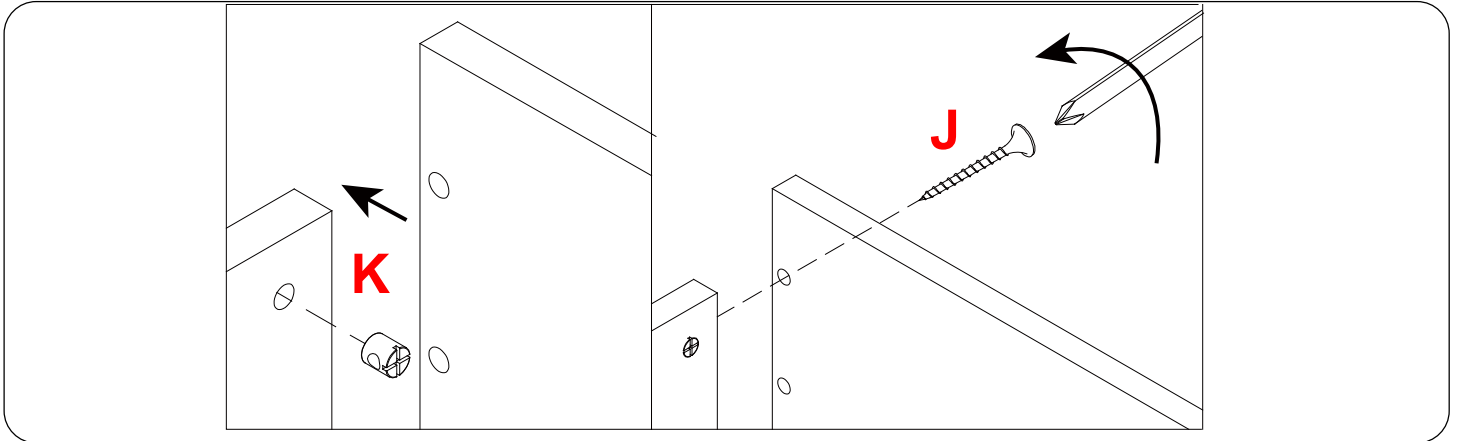
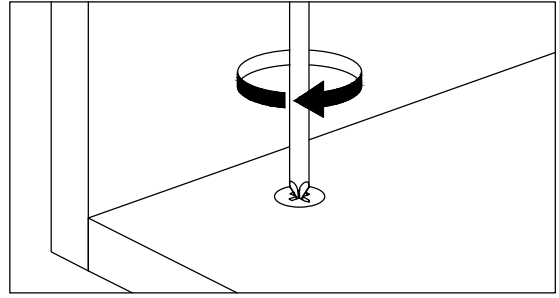
This direction of the marked nut is consistent with the direction in which the screw is inserted



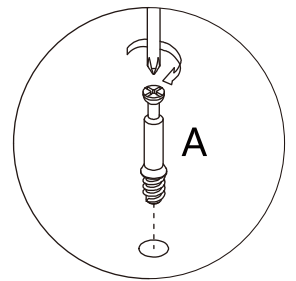
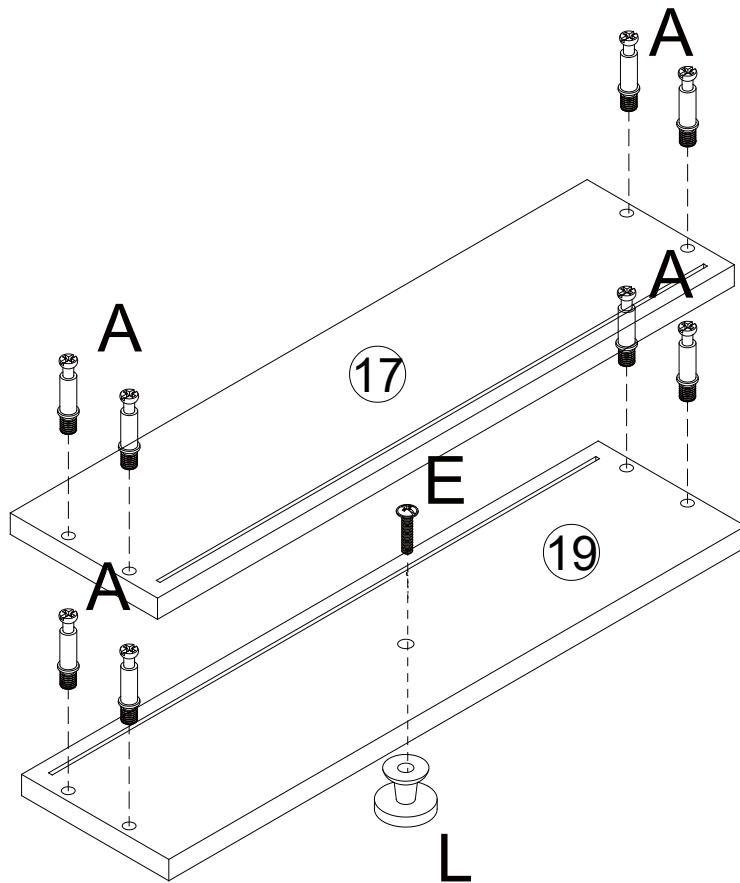
3. Installation on the board with fixing screws



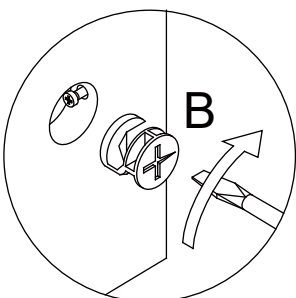
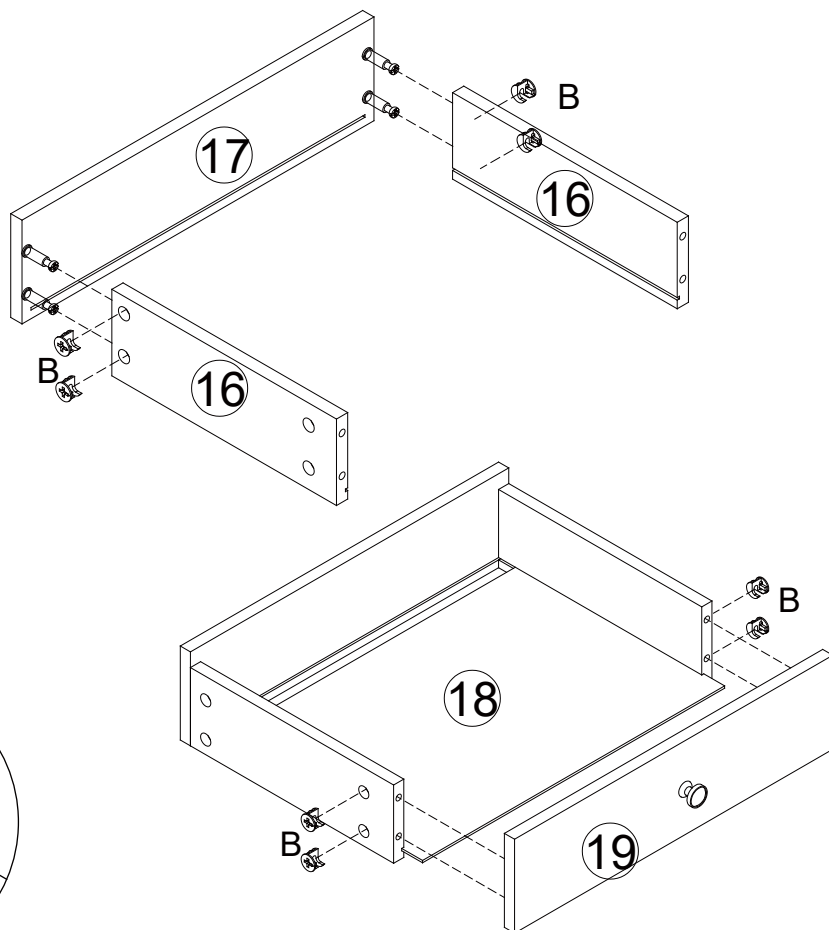
3. Rotate slowly until it stops



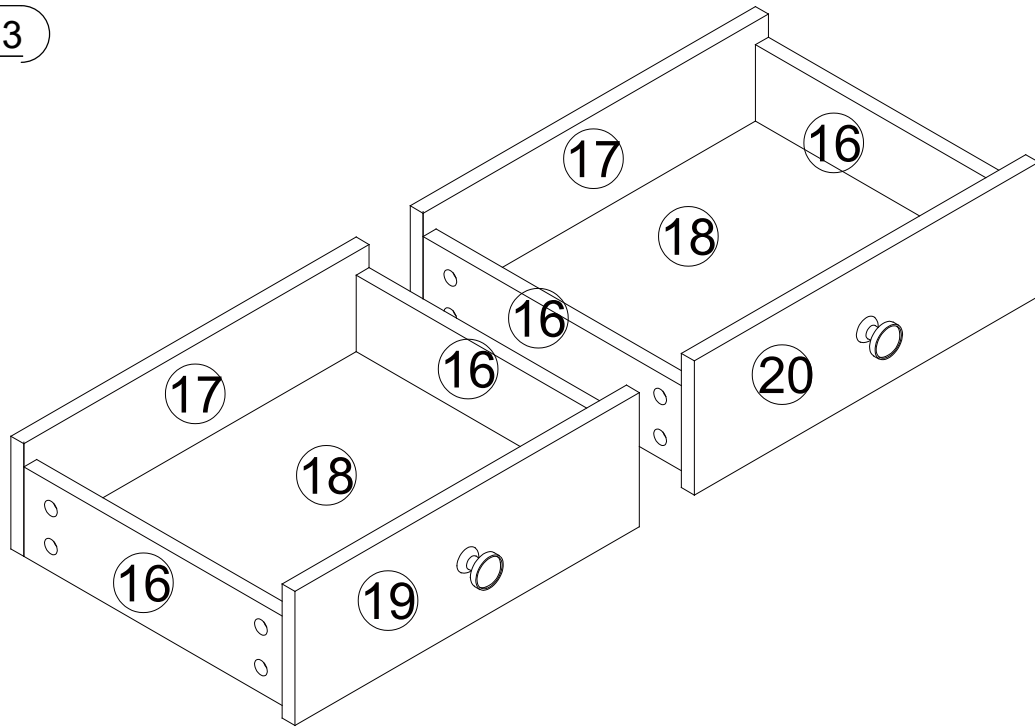
Step 01



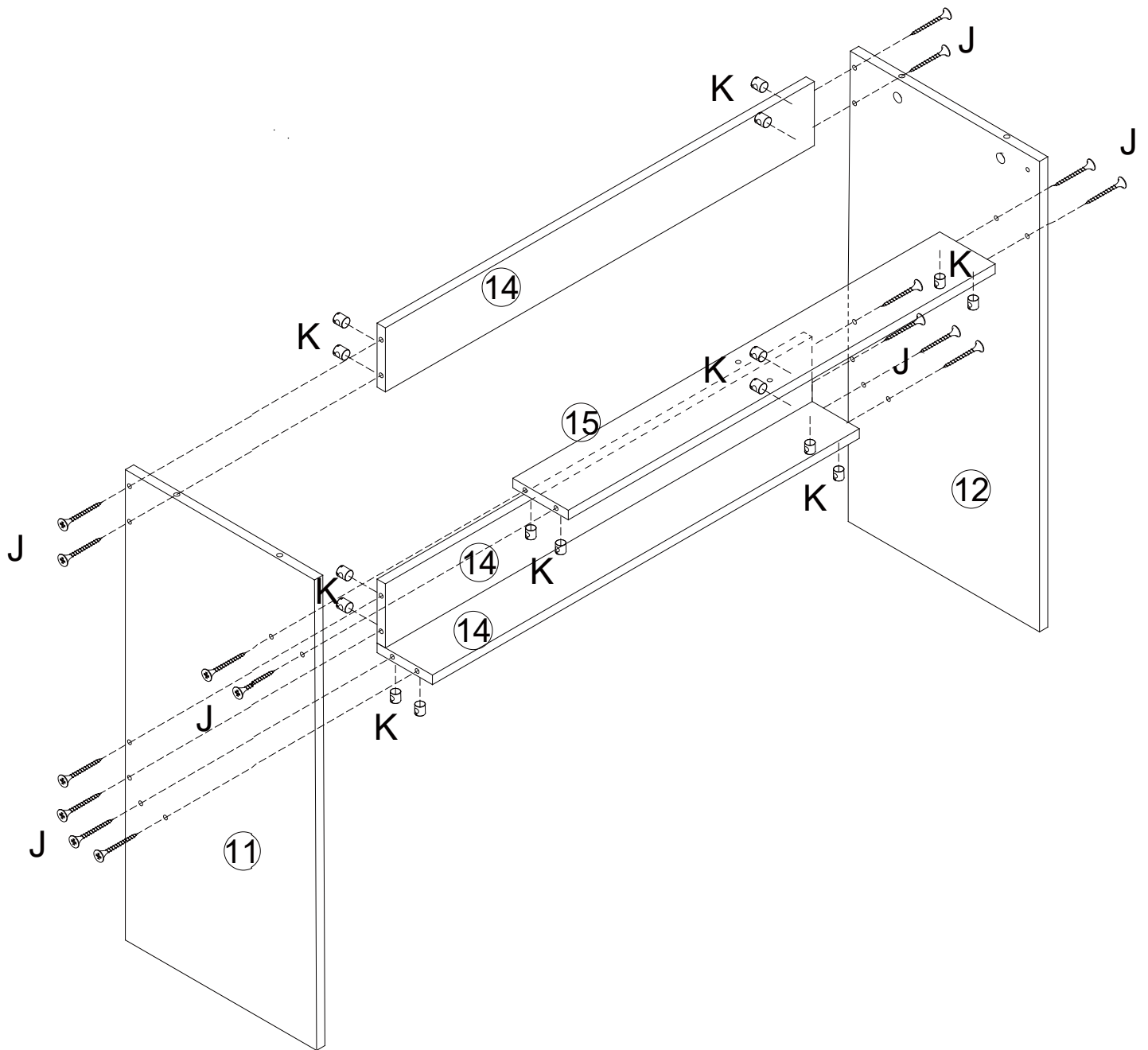
Step 02



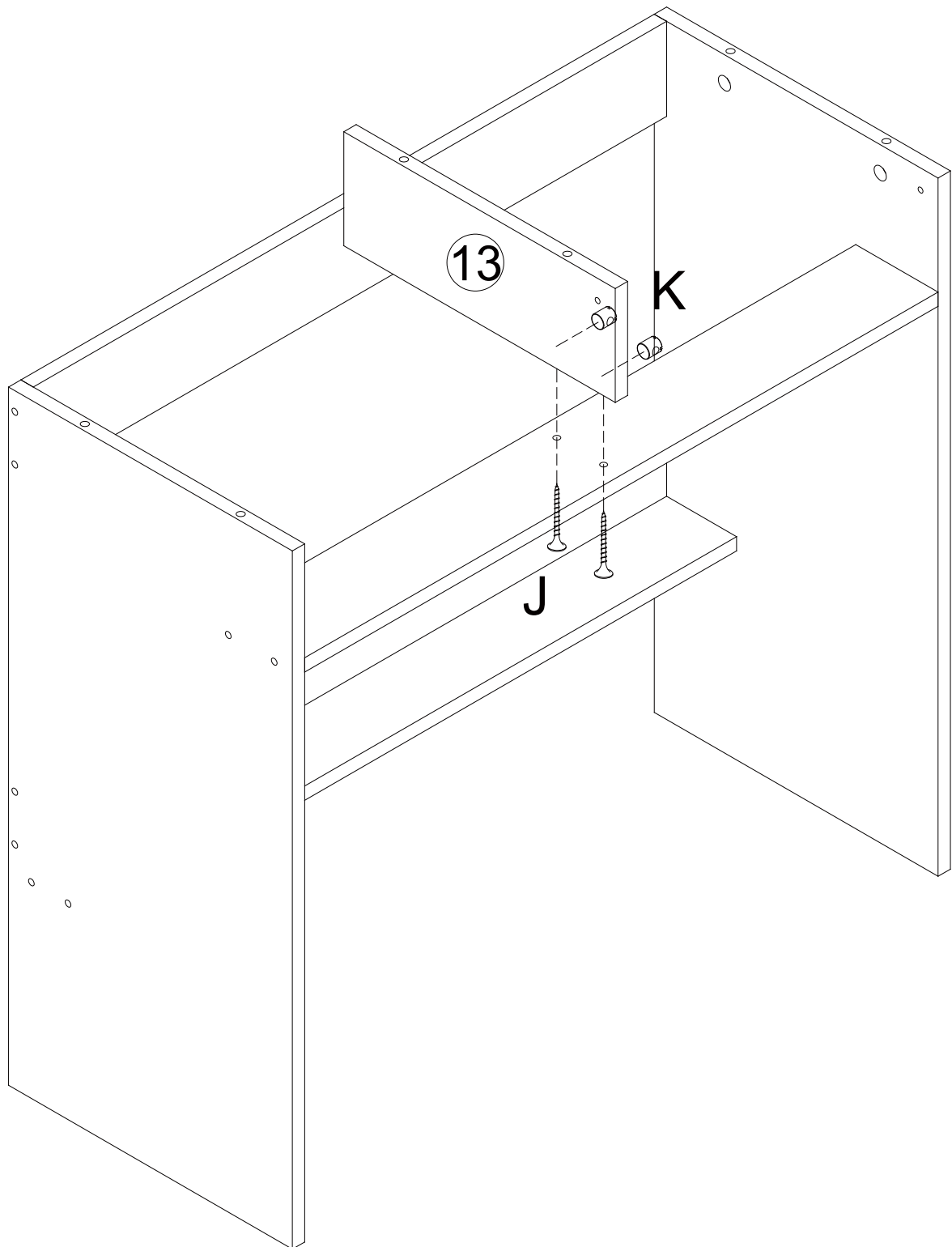
Step 03



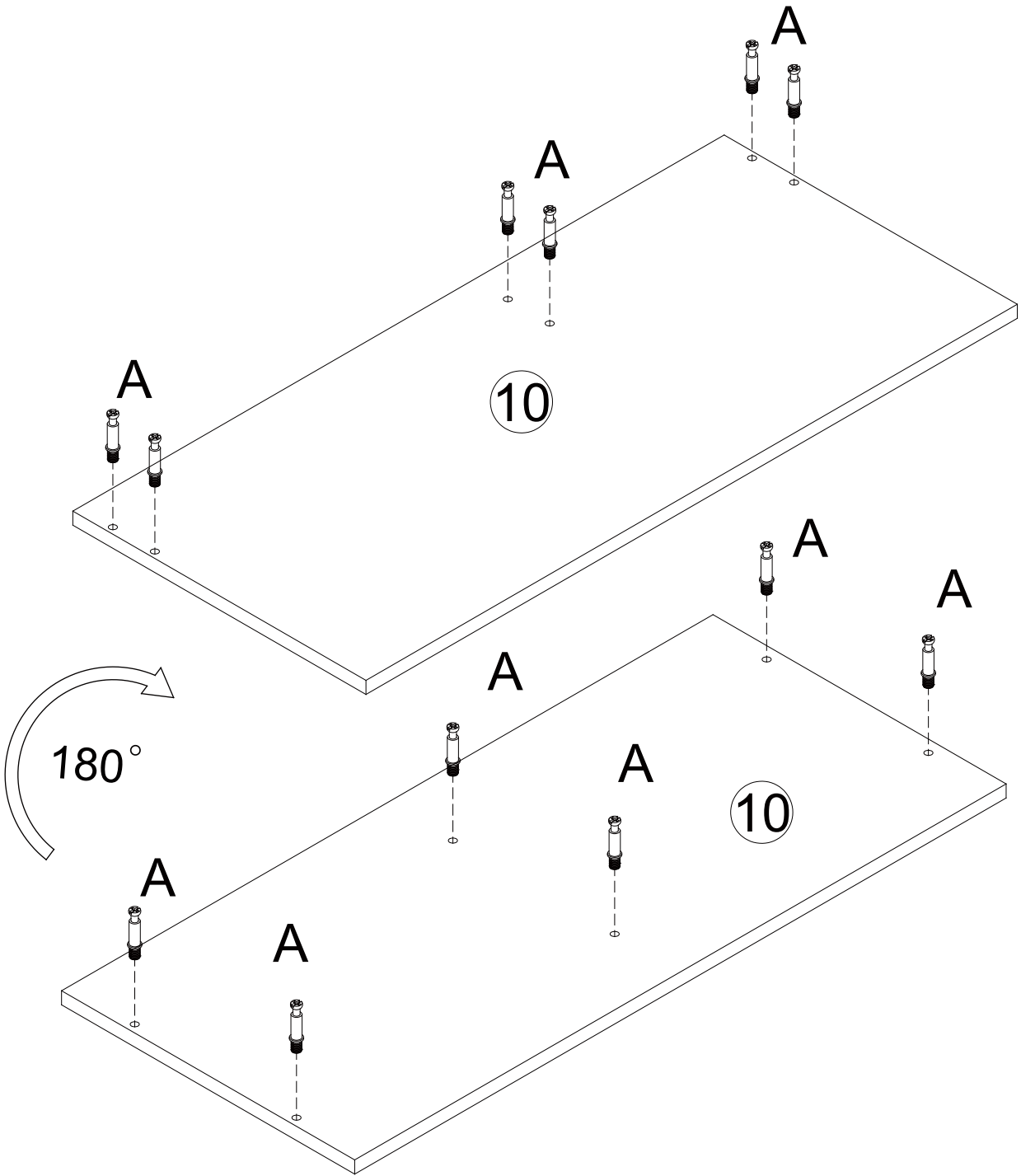
Step 04



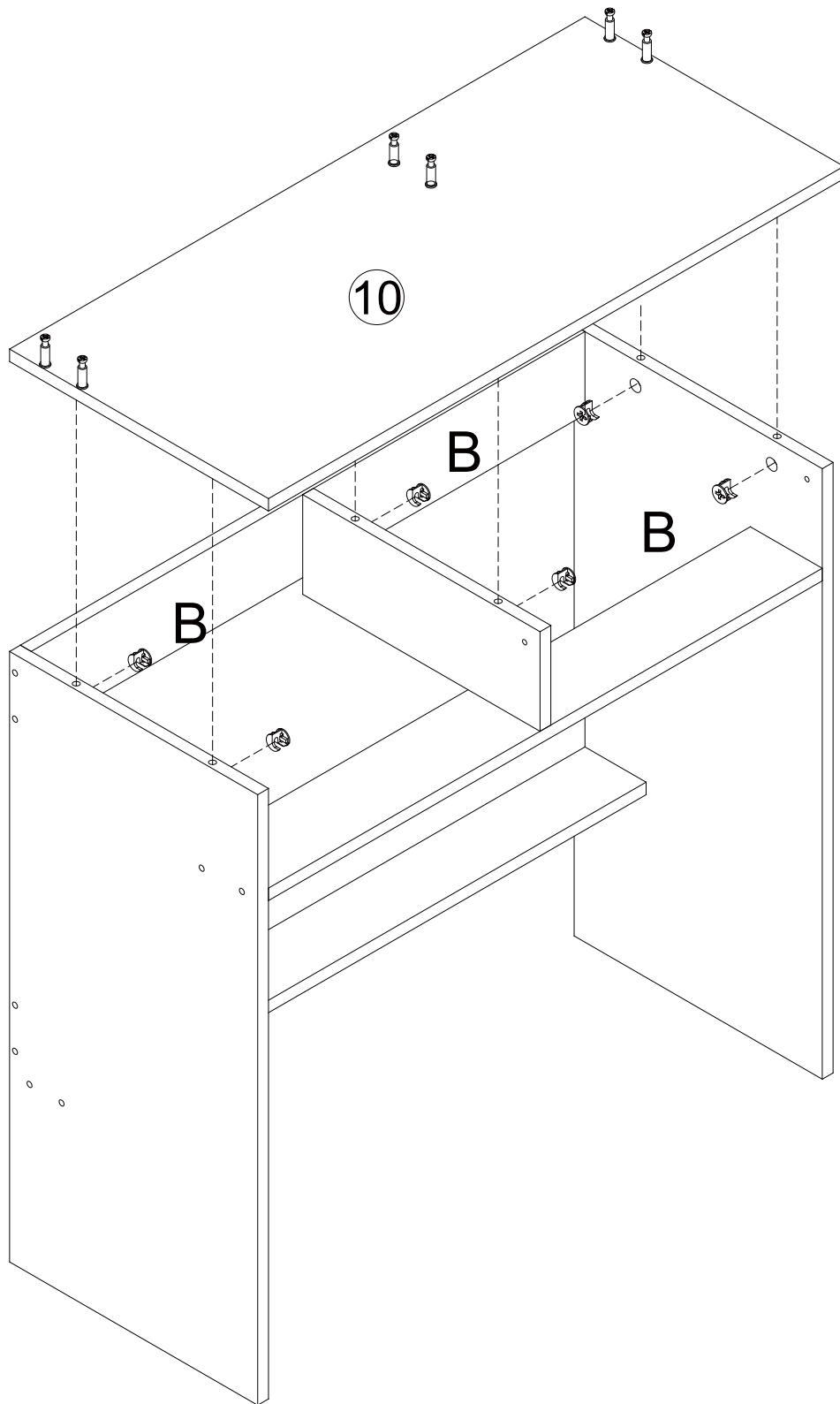
Step 05



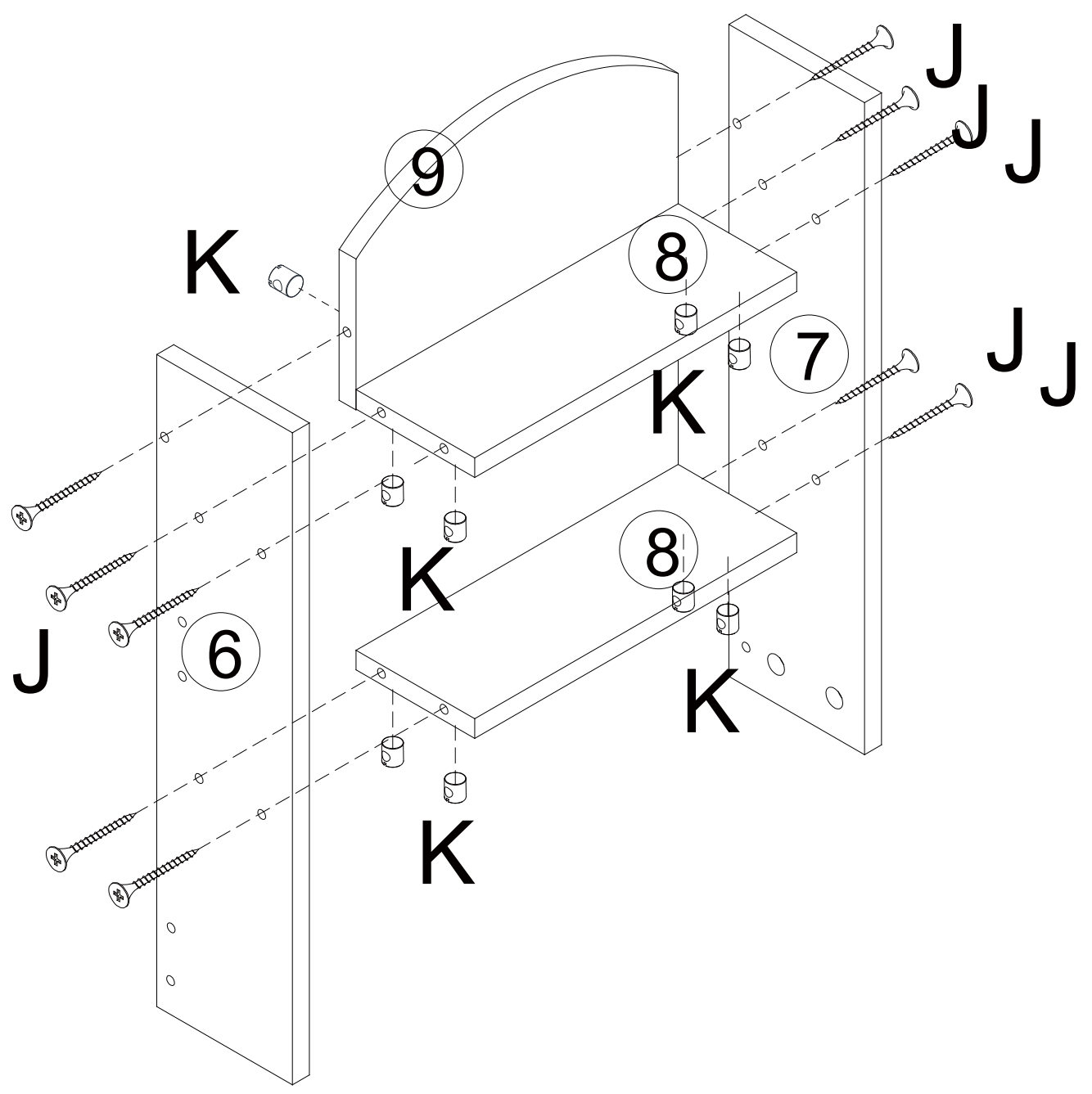
Step 06



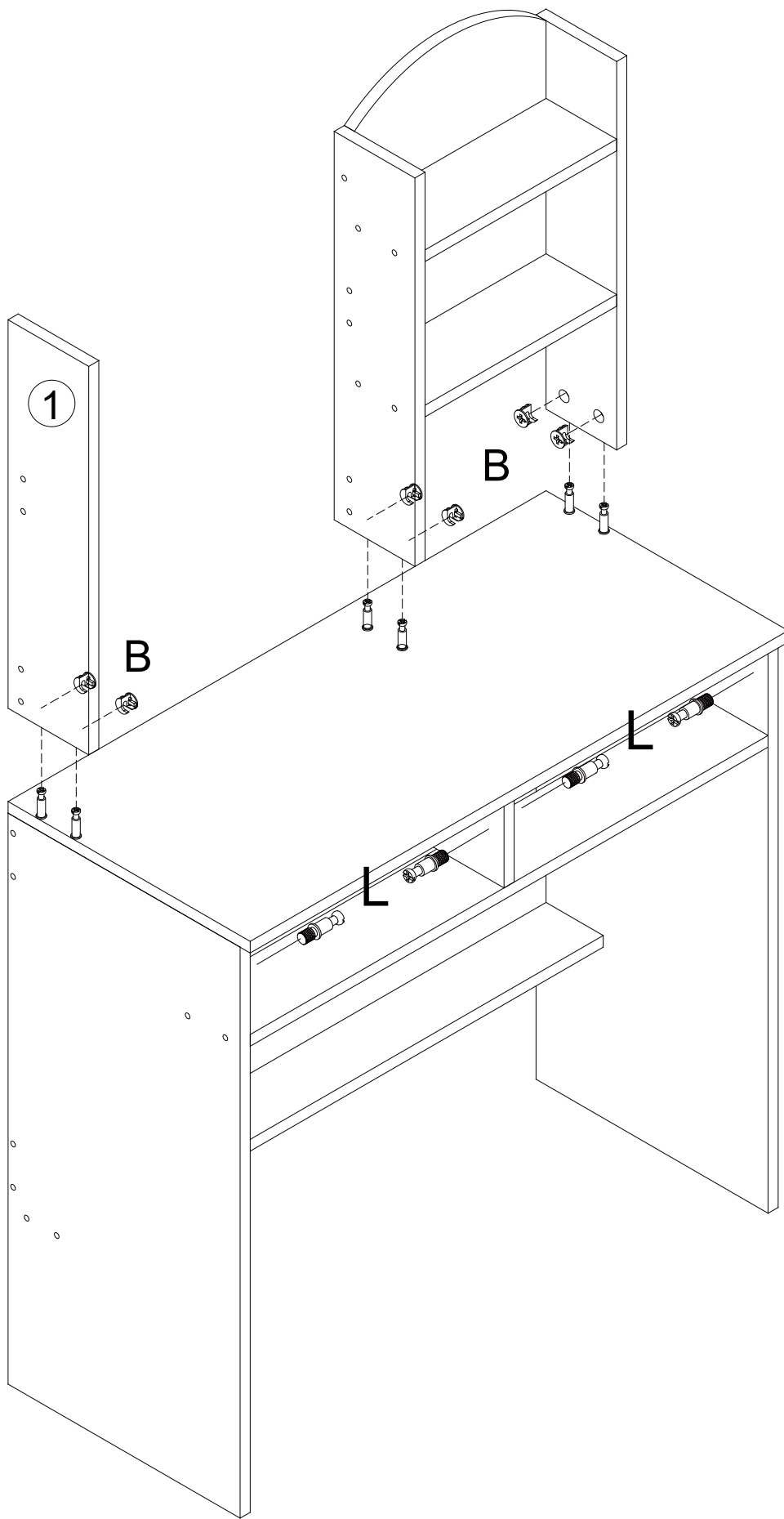
Step 07



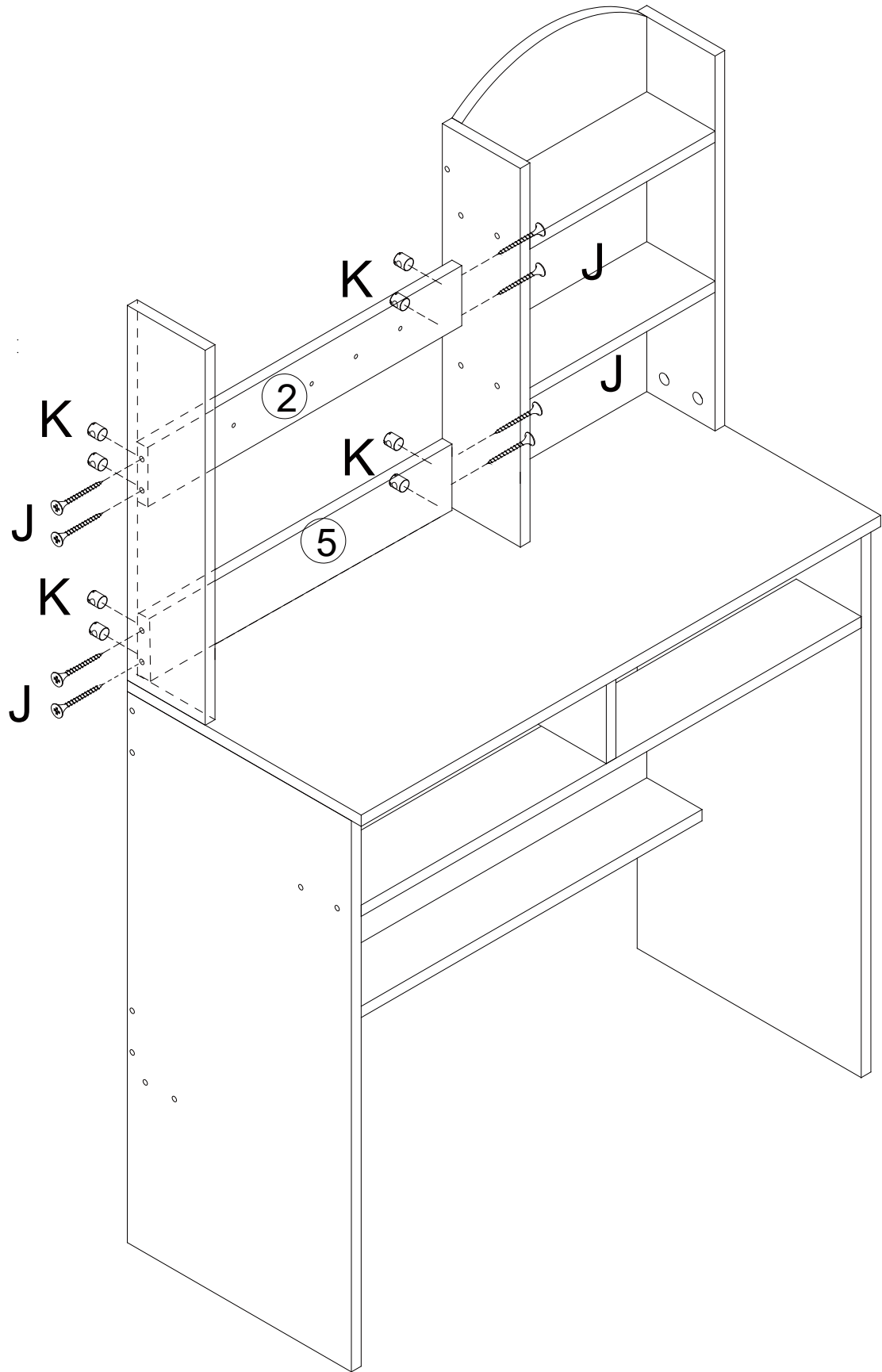
Step 08



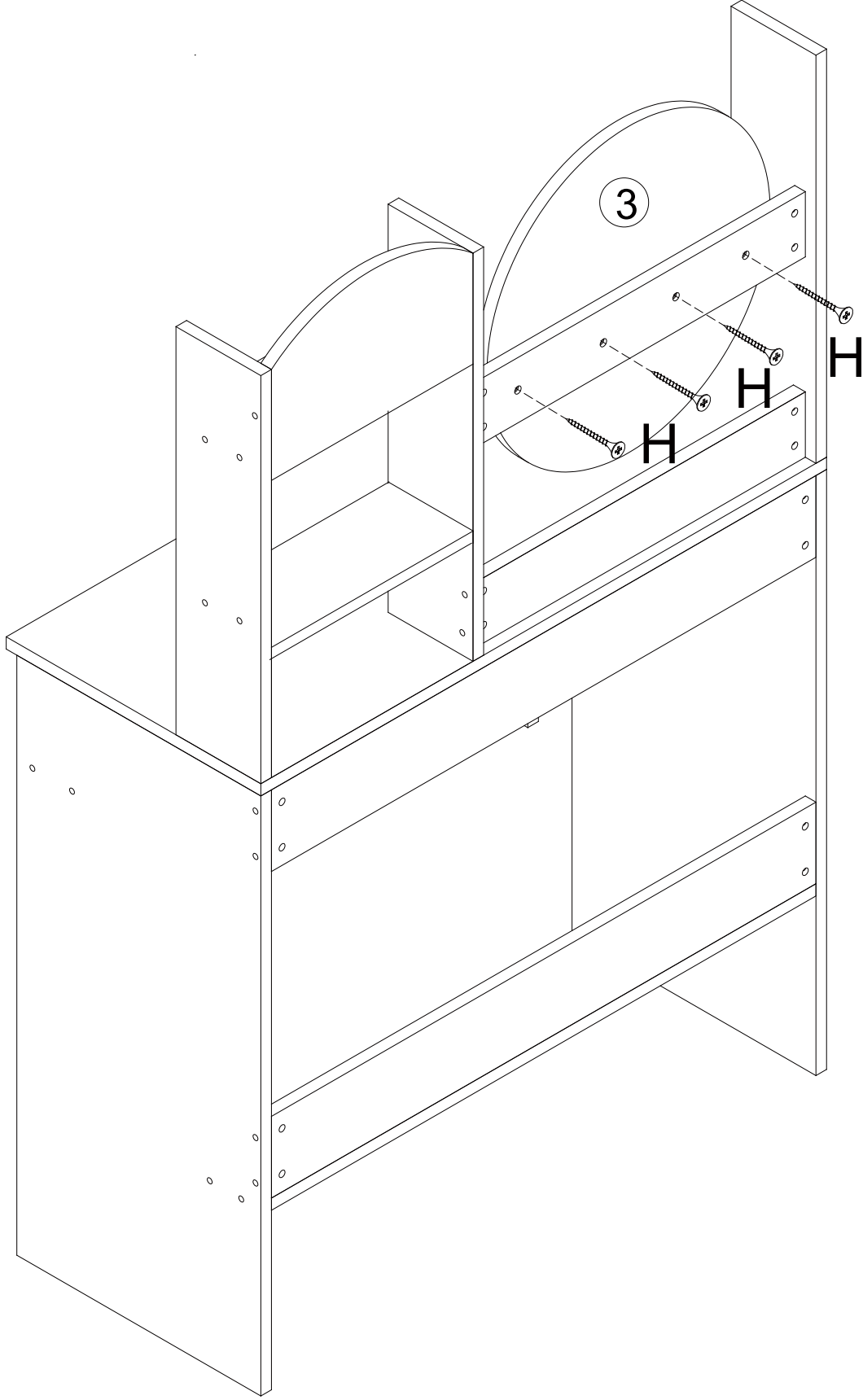
Step 09



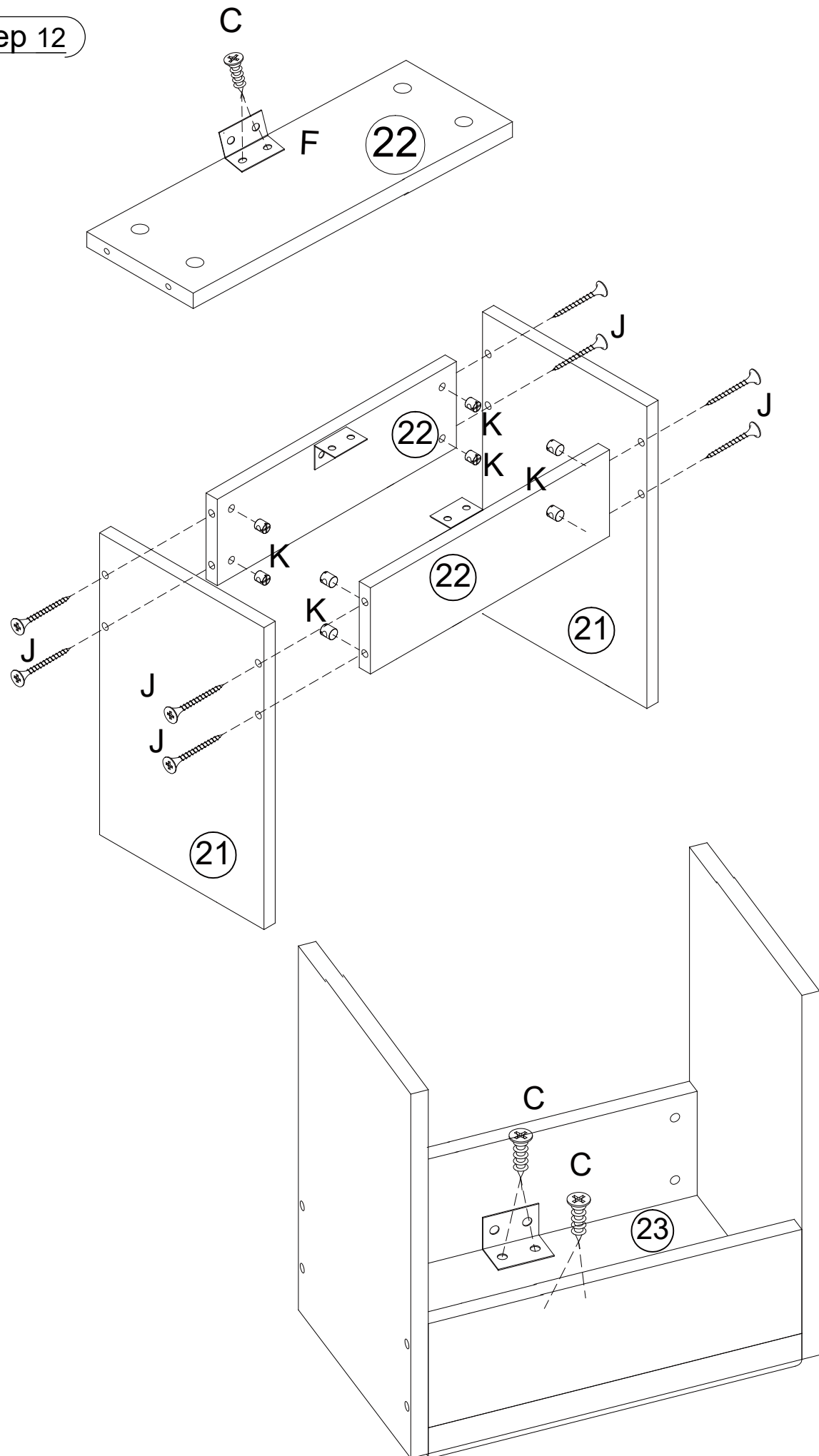
Step 10



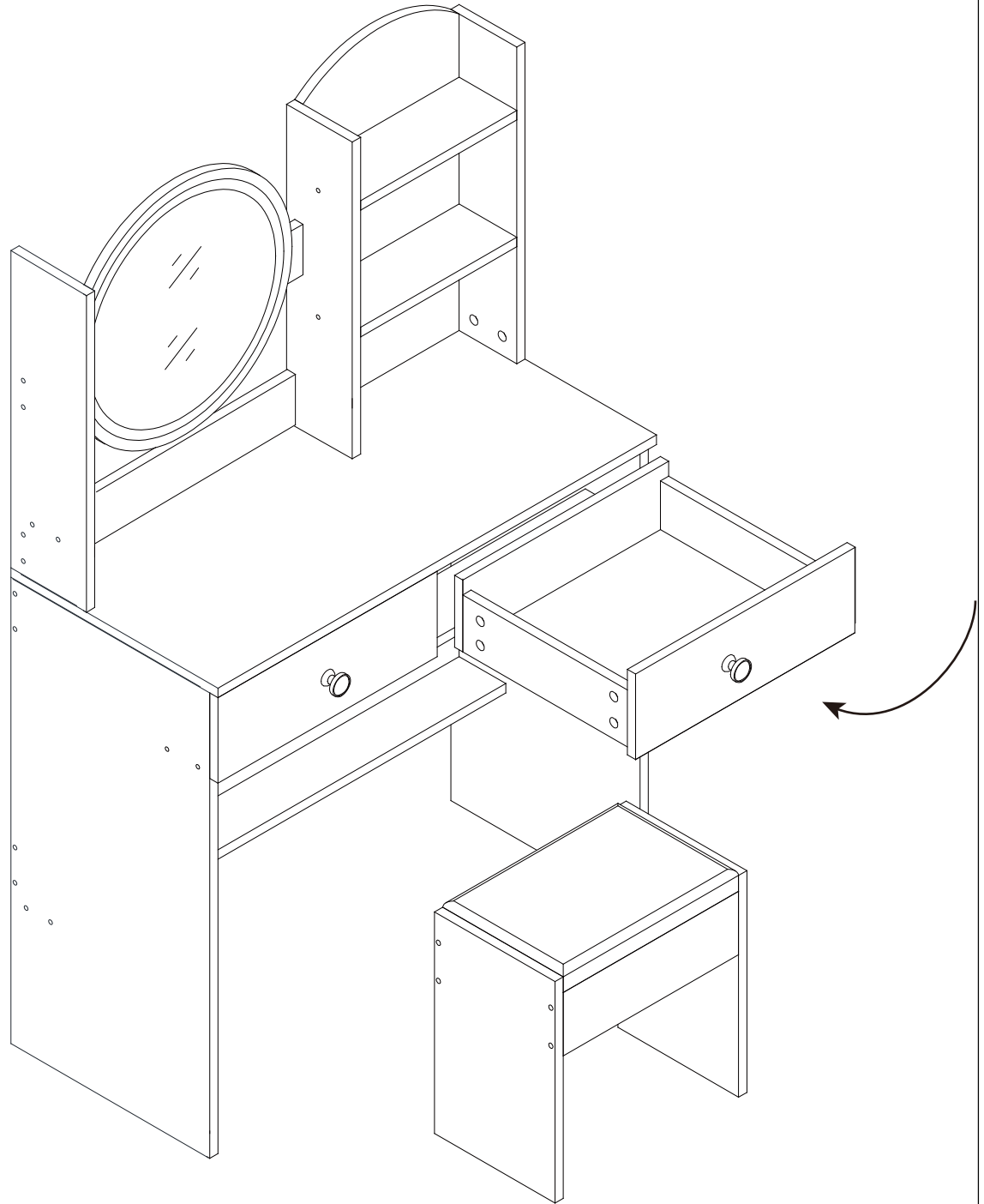
Step 11



Step 12



Step 13



Please note that when placing the drawer in, the drawer positioning pin will block the drawer. Therefore, please follow the diagram to first insert the inner edge of the drawer using a concave method, and then push the drawer flat.