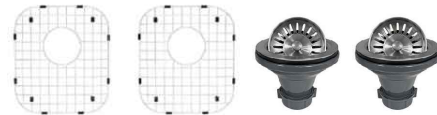


Series	Profile
Material	16 Gauge, Type 304 stainless steel
Installation Type	Undermount
Configuration	Double bowl
Finish	Soft satin brushed finish
Overall Dimensions	32 1/4" x 18 1/2" x 9 1/4"
Bowl Dimensions	14 1/2" x 16 1/2" x 9"
Drain Size	3 1/2"
Finish Available	Stainless Steel
Minimum cabinet size	36"
Template Included	Yes
Clips Included	Yes
Drain Location	Center Rear
Accessories Included	Strainer (x2) and Bottom grid (x2)

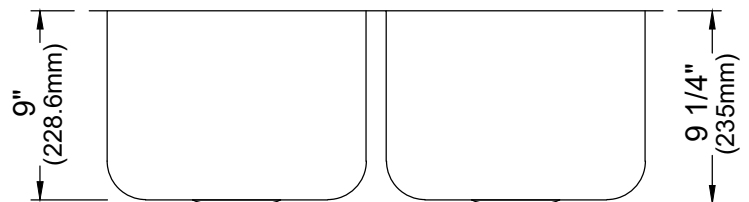
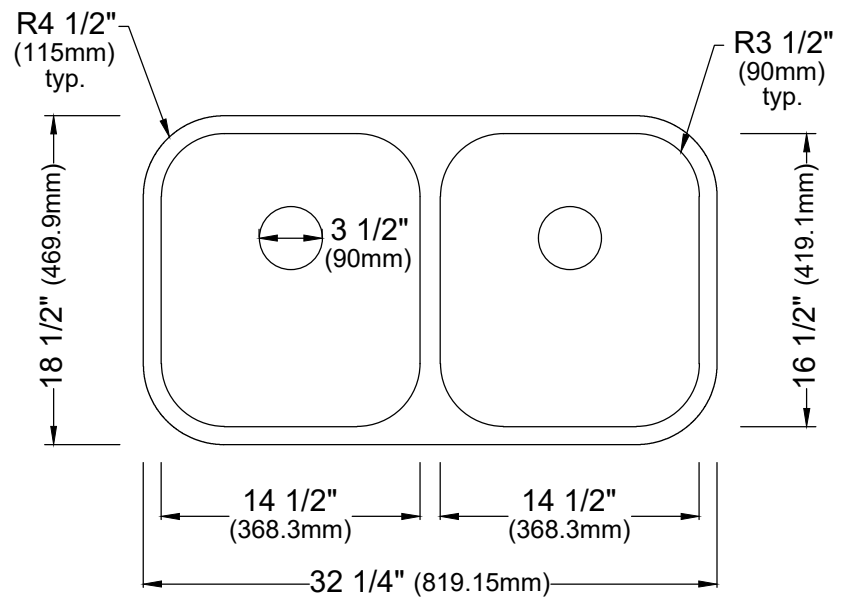


ACCESSORY
Strainer - L-1 x2
Bottom Grid - GR-3008 x2

Stocked Color Options



Stainless Steel



Limited lifetime warranty

We reserve the right to update product specifications without notice. Please visit karran.com for the most current specification sheets. All dimensions are accurate to 1/4". REV 08-2025