

**INSTRUCTION MANUAL/BEDIENUNSANLEITUNG/
NOTICE D'UTILISATION/MANUAL DE INSTRUCCIONES**

GAS lift ottoman bed

! WARNING!

Adults assembly required.
During assembly, keep all parts away from children.
Check regularly to ensure all fasteners are tight.

! WARNUNG!

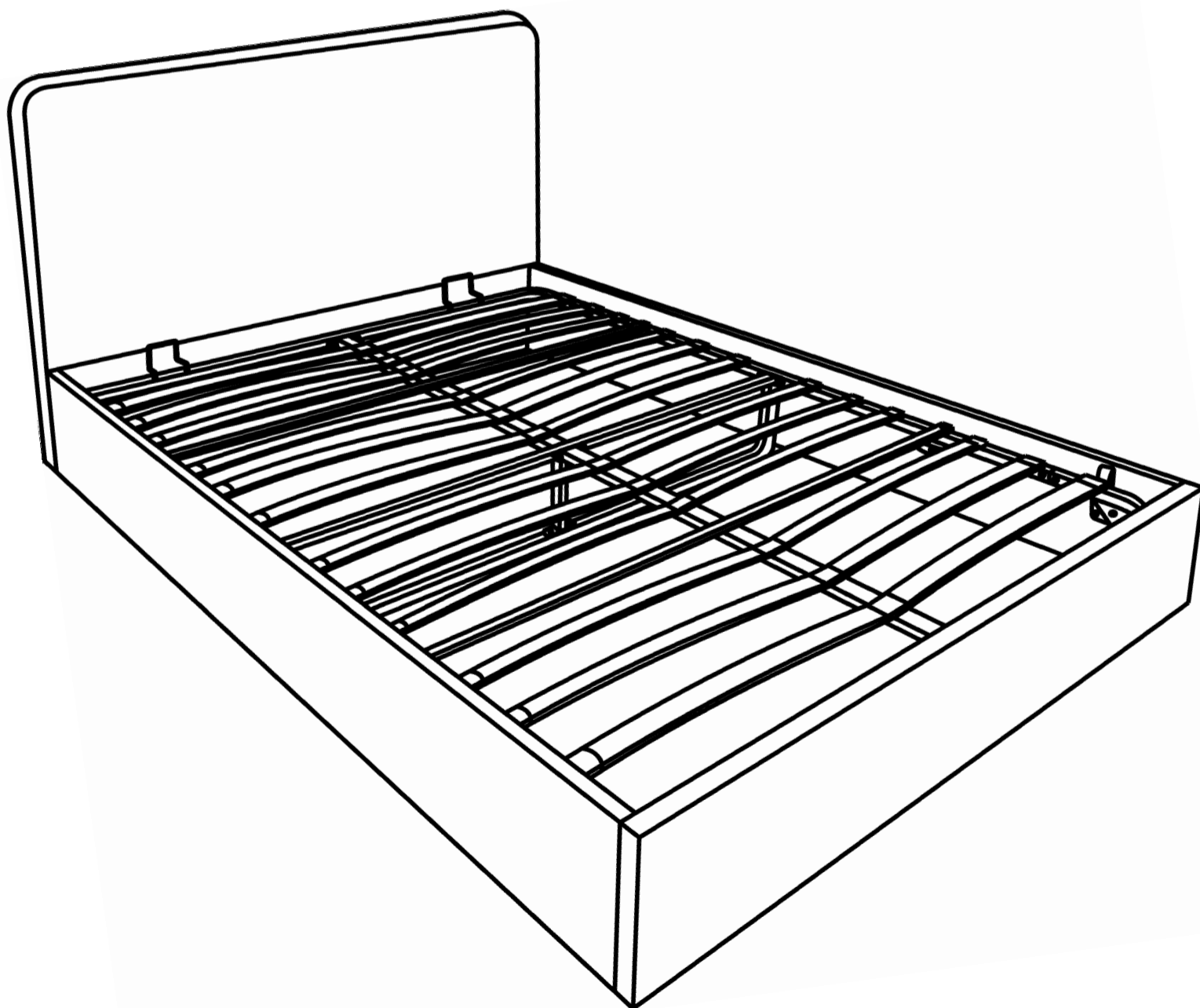
Die Montage ist von Erwachsenen durchzuführen. Halten Sie während der Montage alle Teile von Kindern fern.
Überprüfen Sie regelmäßig den festen Sitz der Schrauben.

! Attention!

Montage à effectuer par des adultes. Pendant le montage, tenez les éléments éloignés des enfants. Vérifiez régulièrement que toutes les vis soient serrées.

! ¡Atención!

Se requiere que el montaje sea llevado a cabo por un adulto. Durante el montaje, mantenga todas las piezas fuera del alcance de los niños. Verifique regularmente que todos los tornillos estén correctamente apretados.



Assembly Instructions for Ottoman Bed Frame

1. Pre-Assembly Preparation

🕒 **Verify All Components:** Before starting assembly, ensure that all parts and fittings are included by laying them out in a clear workspace. This will help familiarize you with the components and confirm that nothing is missing.

🕒 **Assemble in the Desired Location:** It is recommended to assemble the ottoman bed frame in the room where it will be used to avoid potential damage during transportation after assembly.

2. Safety Precautions

🕒 **Keep Children and Pets Away:** To avoid any hazards, ensure that children and pets are kept at a safe distance from the assembly area. Small components may pose a choking risk, and plastic wrapping materials could cause suffocation.

🕒 **Pressurized Mechanism Warning:**

o Always handle the lifting mechanism with care, using both hands and keeping a safe distance.

o Ensure the mattress is in place on the ottoman bed frame before operating the mechanism. Operating the mechanism without the mattress can cause injury or damage.

o If the mattress is removed, secure the ottoman frame to prevent accidental opening.

o Only access the storage compartment when the frame is fully upright.

o Do not remain on the bed frame while operating the lifting mechanism.

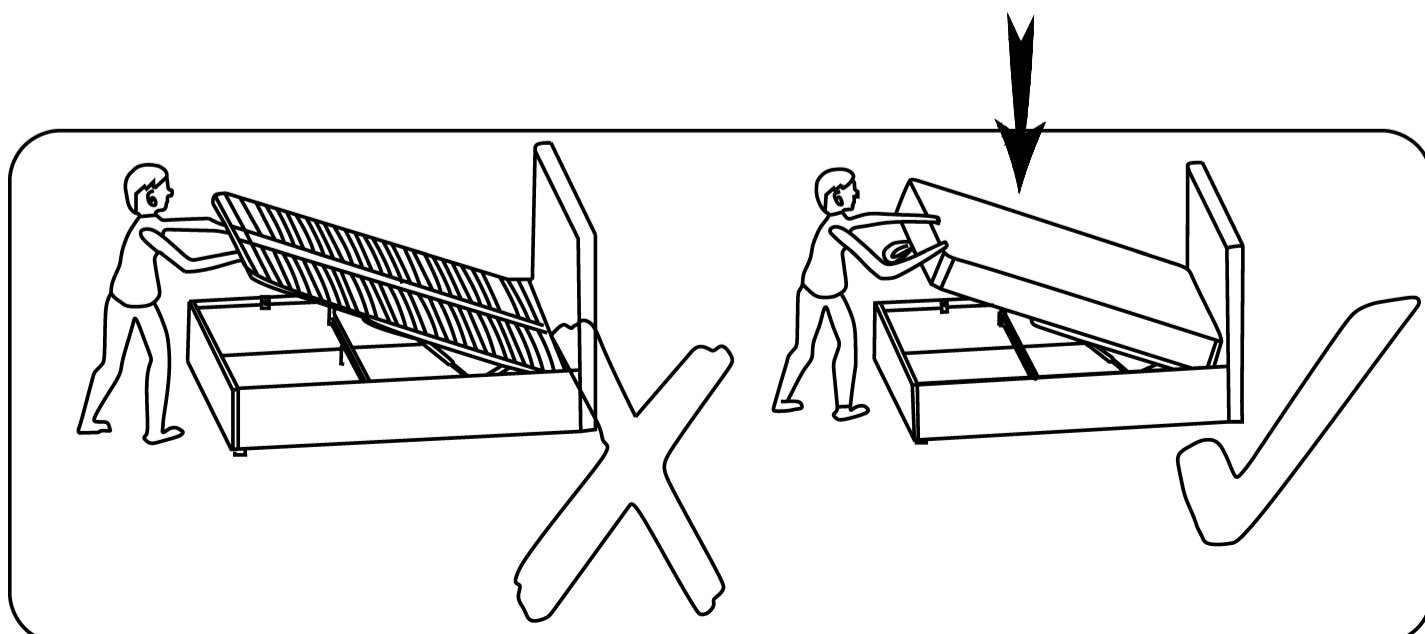
o Use the provided strap to lift or lower the ottoman frame. When closing the frame, apply equal pressure using both hands towards the center of the frame.

o Ensure children and pets are never left unattended around the ottoman frame when it is in the upright position.

3. Assembly and Adjustment Guidelines

🕒 **Lubrication of Gas Pistons:** After assembly, raise and lower the ottoman frame 4-5 times to fully lubricate the gas pistons.

🕒 **Re-tightening of Bolts and Nuts:** Check and re-tighten all bolts and nuts within two weeks of use to ensure stability and proper function.



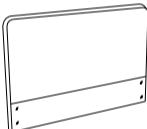
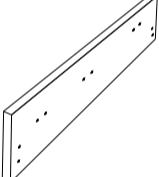
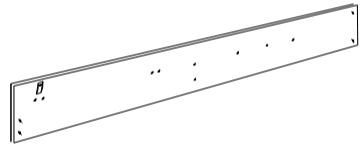
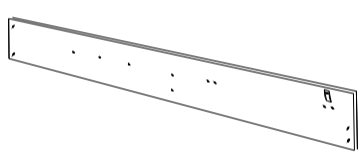
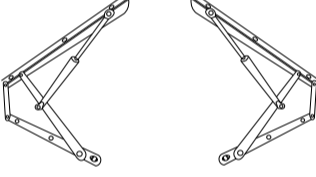
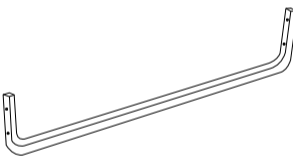

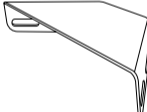
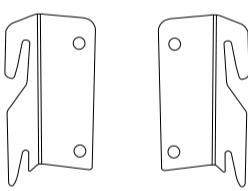
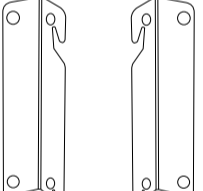
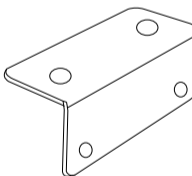
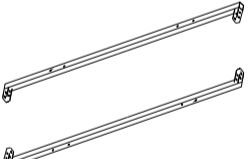


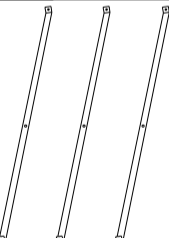

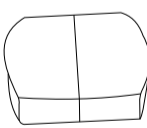
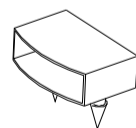
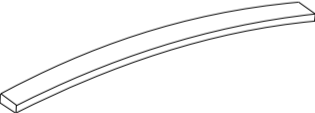
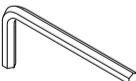
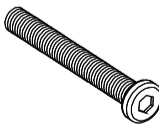
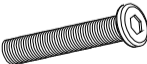


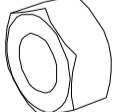
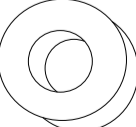

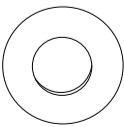

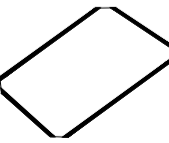
4. Operating the Gas Struts

- ⌚ **Safe Operation:** Always operate the gas struts using two hands, ensuring even pressure is applied.
 - ⌚ **Proper Orientation:** The thicker side of the gas cylinder should be positioned above the thinner side for improved longevity.
 - ⌚ **Closing the Frame:**
 - o Only attempt to close the frame once the mattress is securely placed on the bed.
 - o To close, apply slow and even pressure from the footboard using both hands until the frame begins to move downward.
 - o Initial closure may require additional effort as the pistons cycle and lubricate. After the first closure, repeat the process 4-5 times for optimal piston performance.
 - ⌚ **Handling Stuck Frames:** If the frame becomes stuck in the open position, seek assistance. Both individuals should apply equal pressure from each side of the footboard. If excessive force causes the frame to warp, discontinue use and contact customer service for assistance.
- Following these detailed instructions will ensure a safe and efficient assembly of your ottoman bed frame.

Assembly/Montage/Assemblage/Montaje

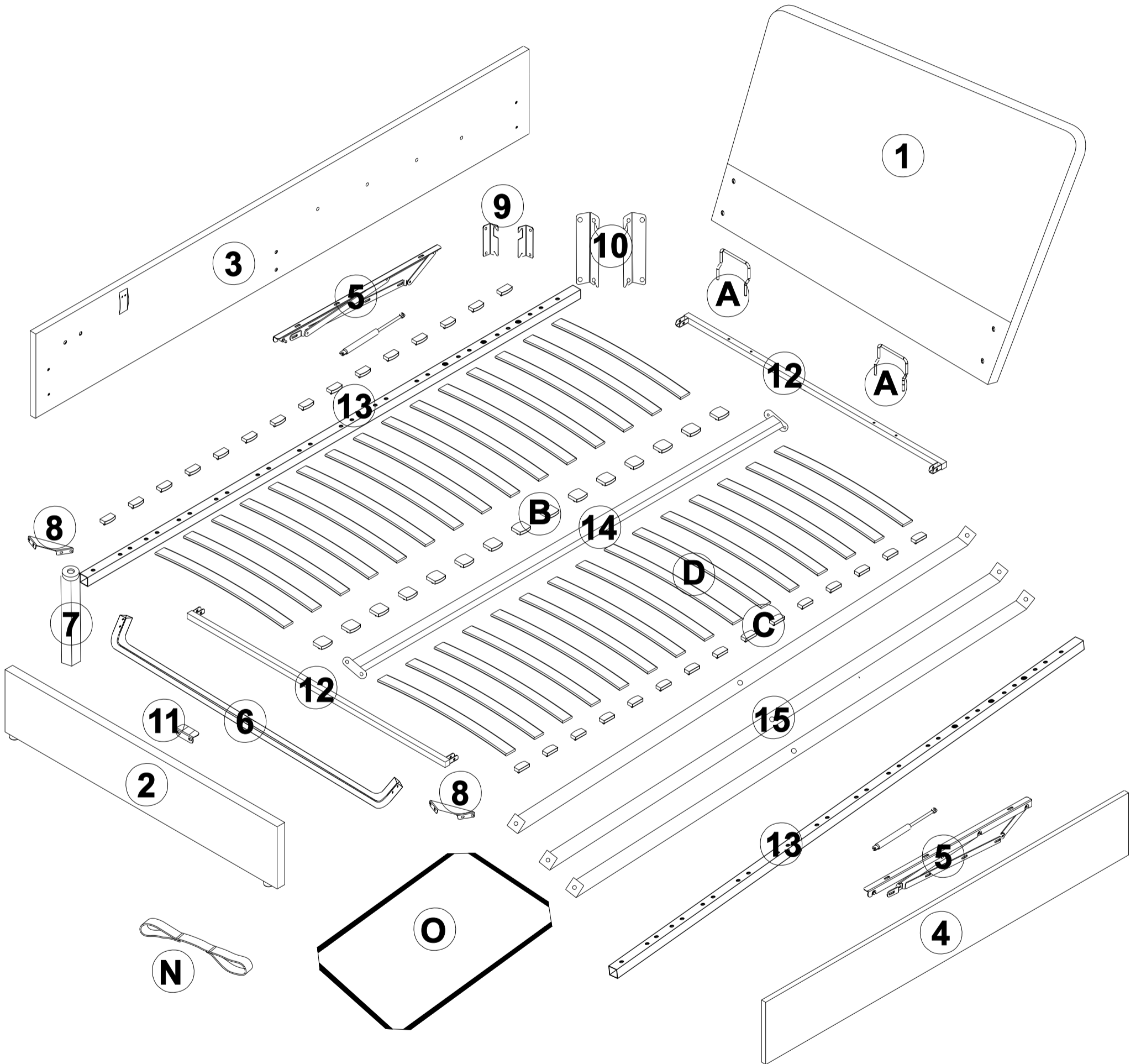
1.GAS lift ottoman bed

PART CHECK LIST

1  1PC	2  1PC	3  1PC	4  1PC	5  5A 1PC 5B 1PC
6  1PC	7  1PC	8  2PCS	9  9A 1PC 9B 1PC	10  10A 1PC 10B 1PC
11  1PC	12  2PCS	13  2PCS	14  1PC	15  3PCS
A  2PCS	B  12PCS	C  24PCS	D  24PCS	E  1PCS
F  M8*40 10PCS	G  M8*30 6PCS	H  M8*20 26PCS	I  M6*16 23PCS	J  6PCS
K  M8*10 6PCS	L  1PCS	M  M8*16 8PCS	N  1PC	O  1PC

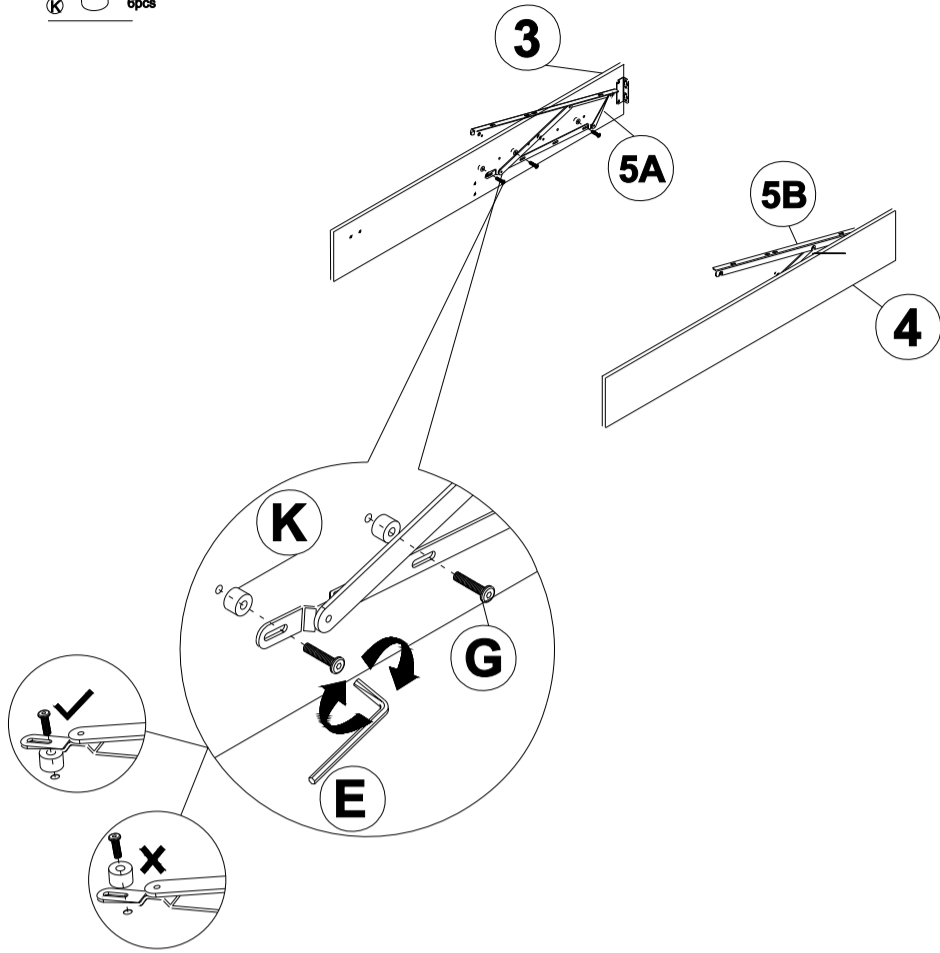
Parts

Before you begin building your bed frame, please take a moment to read through the instructions and make sure that you have all the relevant parts listed on the parts check list.



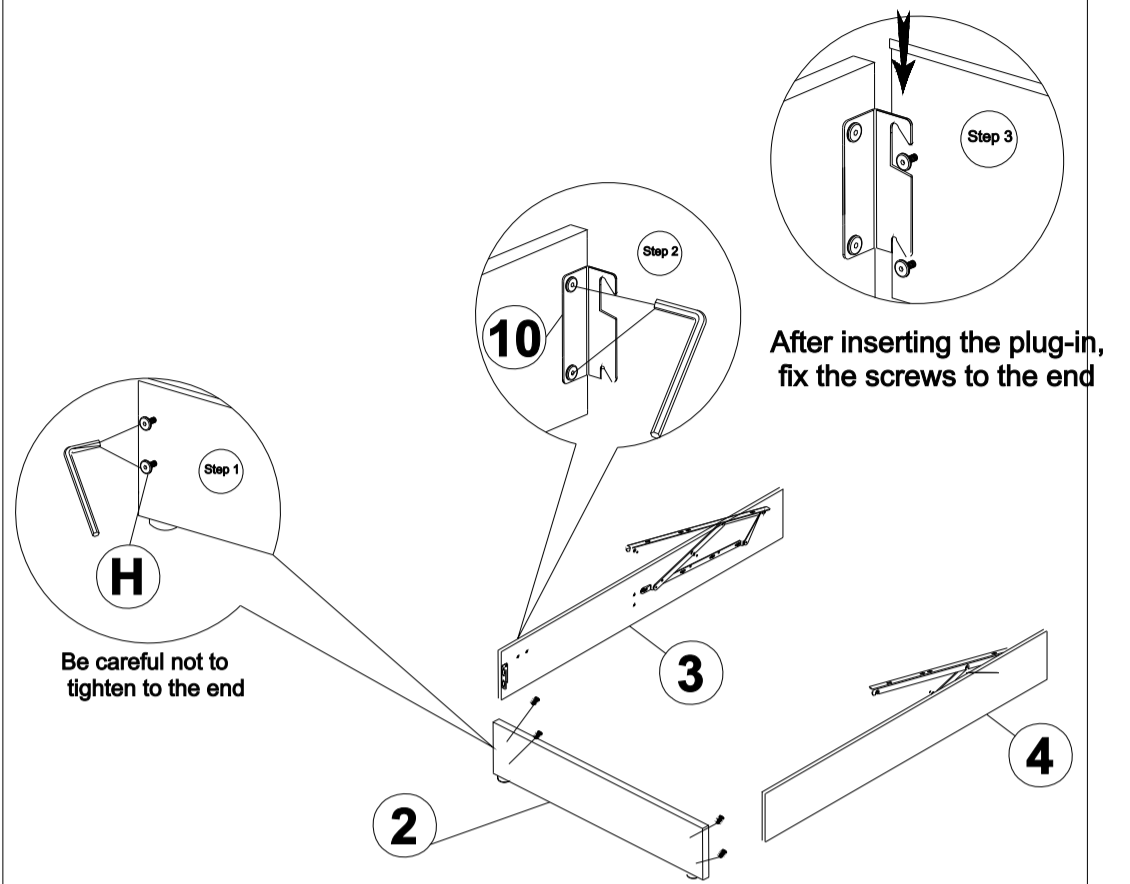
Step 1: Attaching the Side Rails & Lift Mechanisms

- G 6pcs
- E 1pc
- K 6pcs



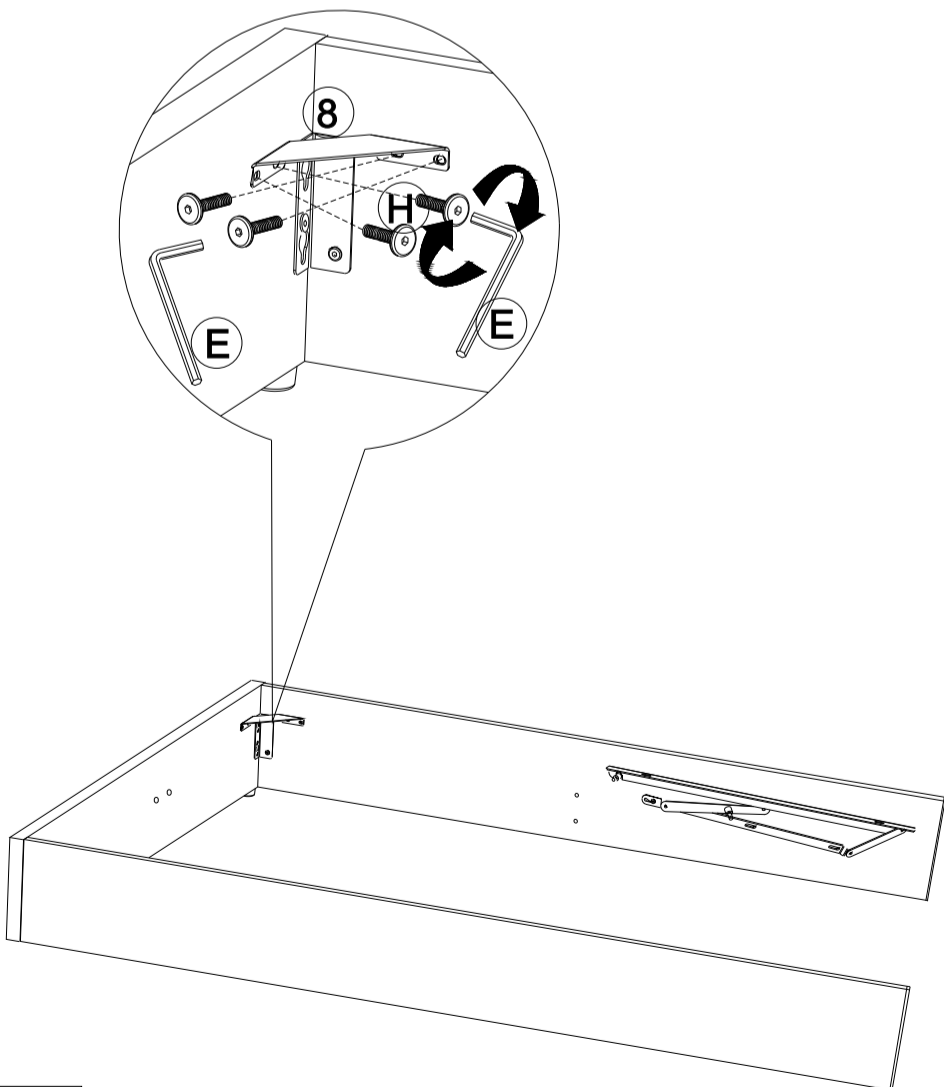
Step 2: Install the bed side panel and bed tail

- H 8pcs
- E 1pc



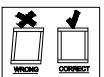
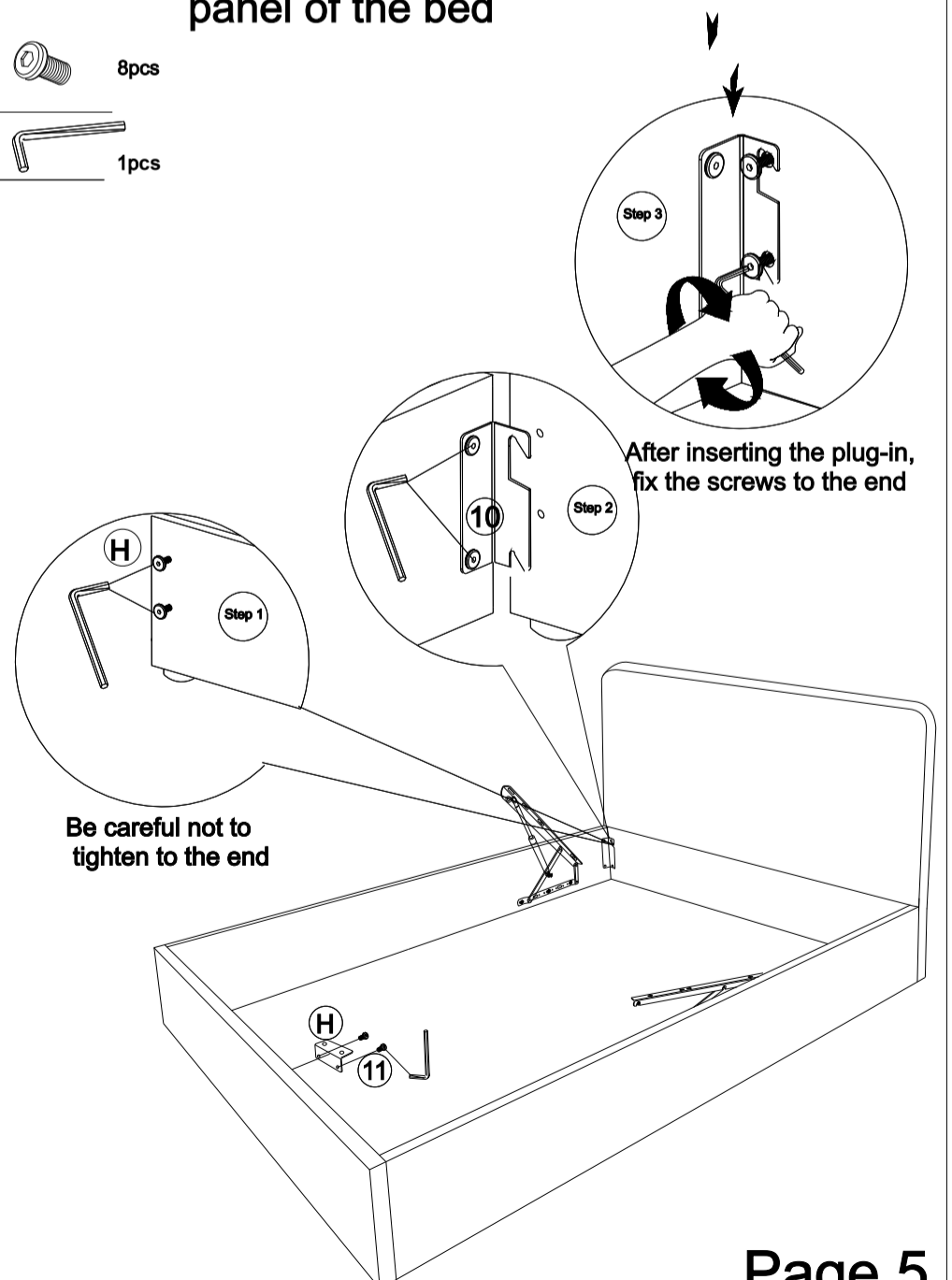
Step 3: Install angle bracket

- H 8pcs
- E 1pc






Step 4: Install the headboard and side panel of the bed

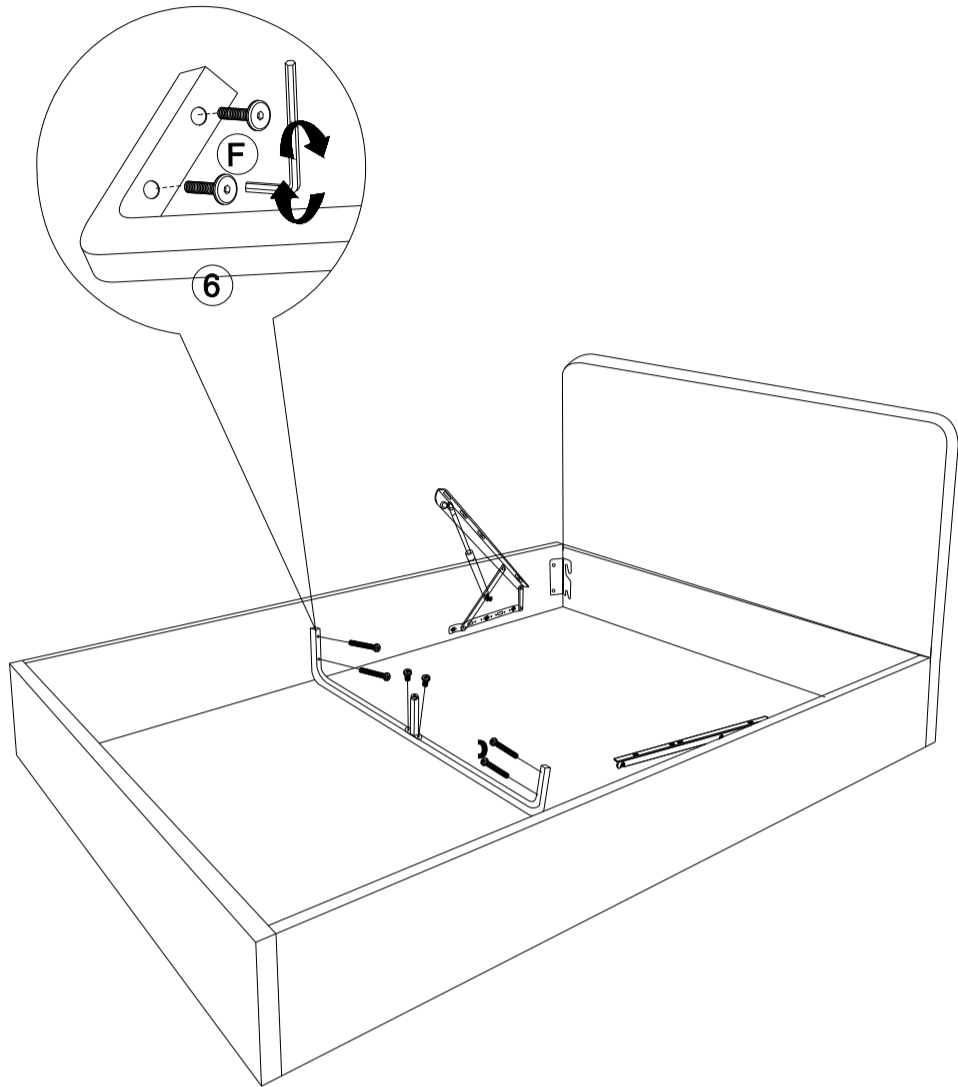
- H 8pcs
- E 1pc





NB: Before tightening the bolts, please ensure the bed frame is square

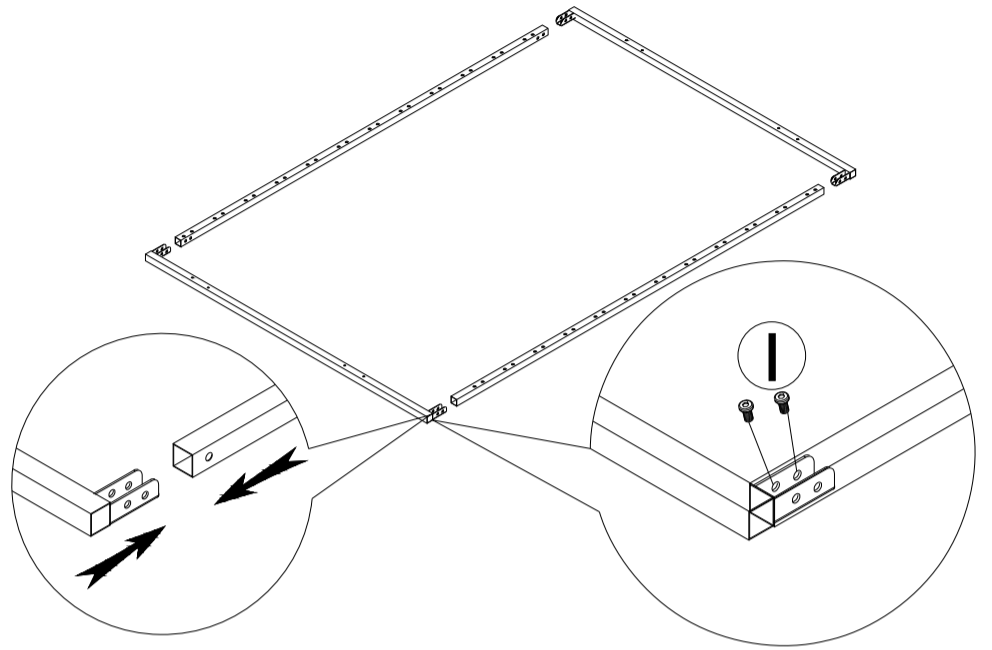
Step 5: Install the bed frame fixing rod and bed frame fixing components

- F**  4pcs
- I**  2pcs
- E**  1pc





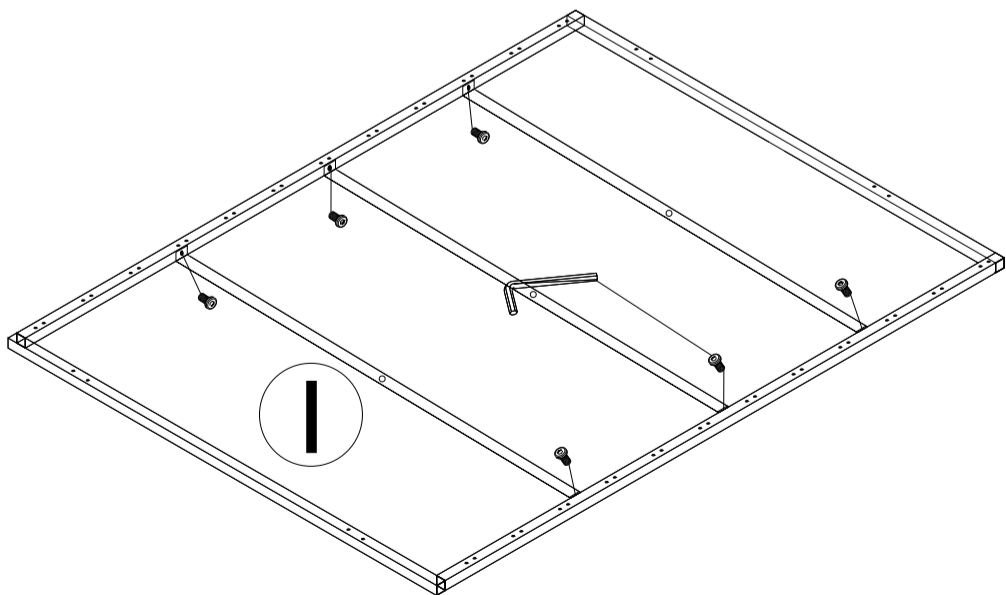
Step 6: Install the bed frame iron frame

- I**  8pcs
- E**  1pc





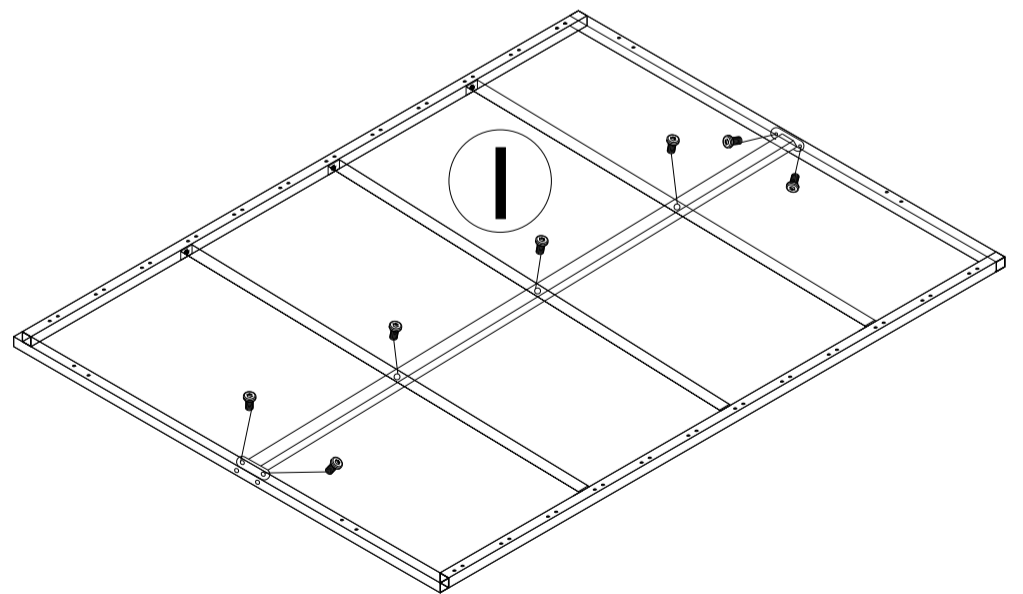
Step 7: Install the bed flat iron

- I**  6pcs
- E**  1pc



Step 8: Install the bed flat iron

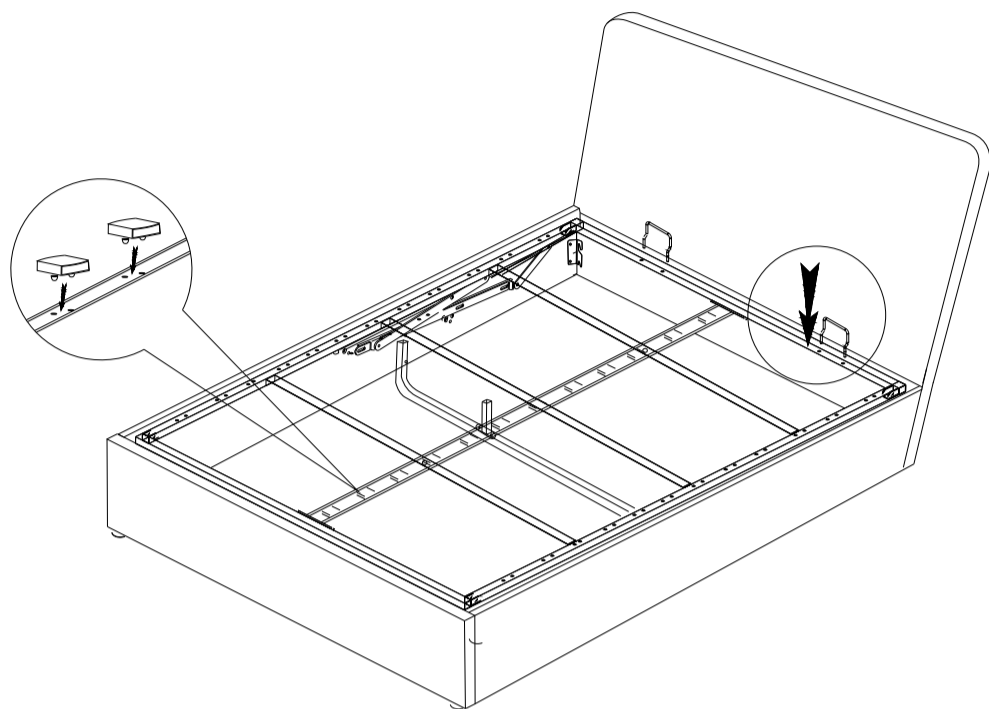
- I**  7pcs
- E**  1pc



Step 9: Install bed panel fasteners And mattress stopper strip

B  Centre Slat Caps 12pcs

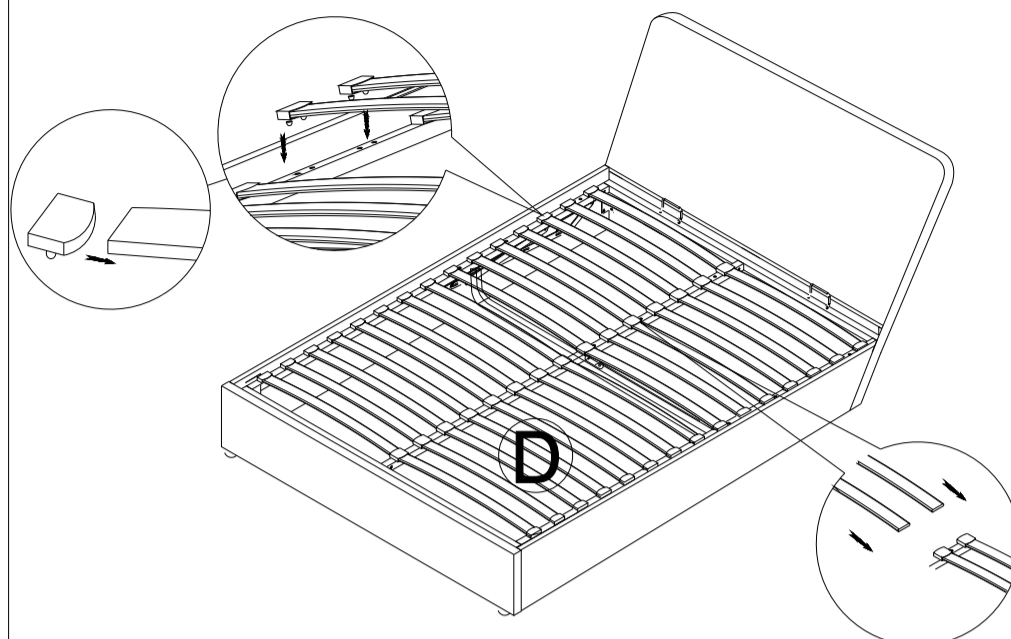
A  Mattress Positioning Handle 2pcs



Step 10: Install bed board

C  Side Slat Caps 24pcs

D  Bed skeleton 24pcs



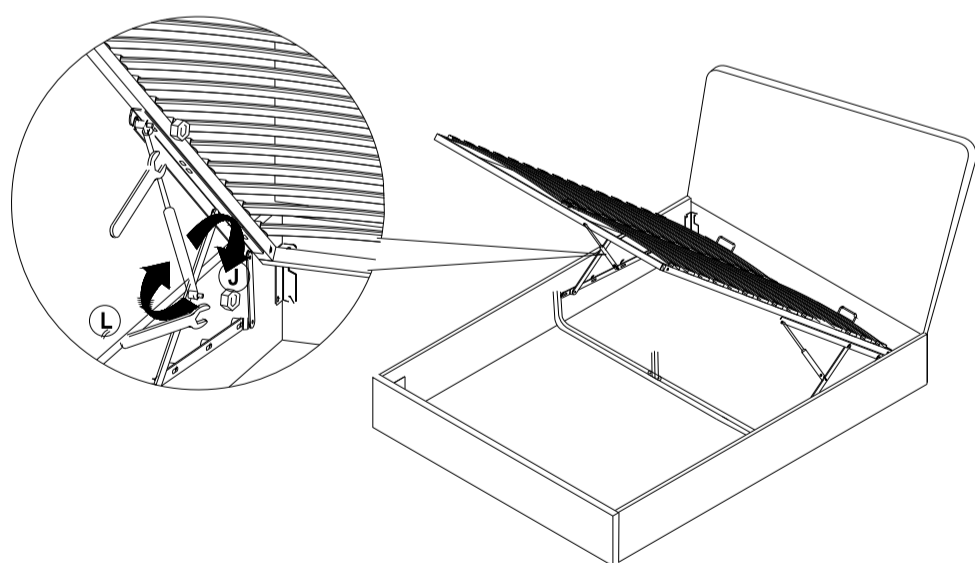
Push down firmly on the Slat Caps into the pre-drilled holes on the Metal Frame.

It is recommended to push the Centre Slat Caps into position before pushing down on the Side Slat Caps.

Step 11: Install pressure rod

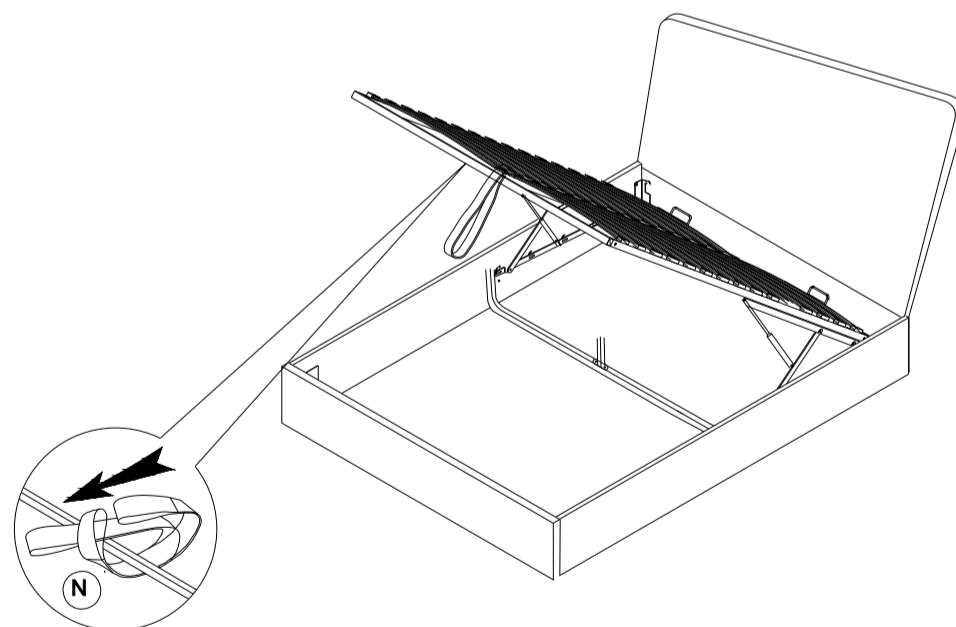
J  4pcs

L  1pc



Step 12: Install pressure rod

N  1pc



Attach the Strap (N) to the Center Metal Frame, at the Footboard end.